



US00D975804S

(12) **United States Design Patent** (10) **Patent No.:** **US D975,804 S**
Orady et al. (45) **Date of Patent:** **** *Jan. 17, 2023**

- (54) **EXERCISE MACHINE**
- (71) Applicant: **TONAL SYSTEMS, INC.**, San Francisco, CA (US)
- (72) Inventors: **Aly Orady**, San Francisco, CA (US); **Dan Harden**, Palo Alto, CA (US)
- (73) Assignee: **TONAL SYSTEMS, INC.**, San Francisco, CA (US)
- (*) Notice: This patent is subject to a terminal disclaimer.
- (**) Term: **15 Years**
- (21) Appl. No.: **29/785,167**
- (22) Filed: **May 24, 2021**

- D353,419 S 12/1994 Sprague
- 5,556,369 A 9/1996 Roberts
- 6,110,081 A 8/2000 Barrett
- 6,296,594 B1 10/2001 Simonson
- D482,748 S 11/2003 Flynt
- 6,659,922 B1 12/2003 Yu
- D502,515 S 3/2005 Carter
- 7,115,078 B1 10/2006 Kalember
- 7,172,538 B2 2/2007 Keiser

(Continued)

Primary Examiner — Michael A Maharajh
(74) *Attorney, Agent, or Firm* — Barnes & Thornburg LLP

(57) **CLAIM**

The ornamental design for an exercise machine, as shown and described.

DESCRIPTION

FIG. 1 is a front perspective view of a first position of an exercise machine, according to an embodiment of our new design;
 FIG. 2 is a front side view thereof;
 FIG. 3 is a rear side view thereof;
 FIG. 4 is a left side view thereof;
 FIG. 5 is a right side view thereof;
 FIG. 6 is a top plan view thereof;
 FIG. 7 is a bottom plan view thereof;
 FIG. 8 is a front perspective view of a second position of an exercise machine, according to an embodiment of our new design;
 FIG. 9 is a front side view thereof;
 FIG. 10 is a rear side view thereof;
 FIG. 11 is a left side view thereof;
 FIG. 12 is a right side view thereof;
 FIG. 13 is a top plan view thereof; and,
 FIG. 14 is a bottom plan view thereof.
 The broken lines shown in the drawings are for purposes of illustrating portions of the exercise machine that form no part of the claimed design.

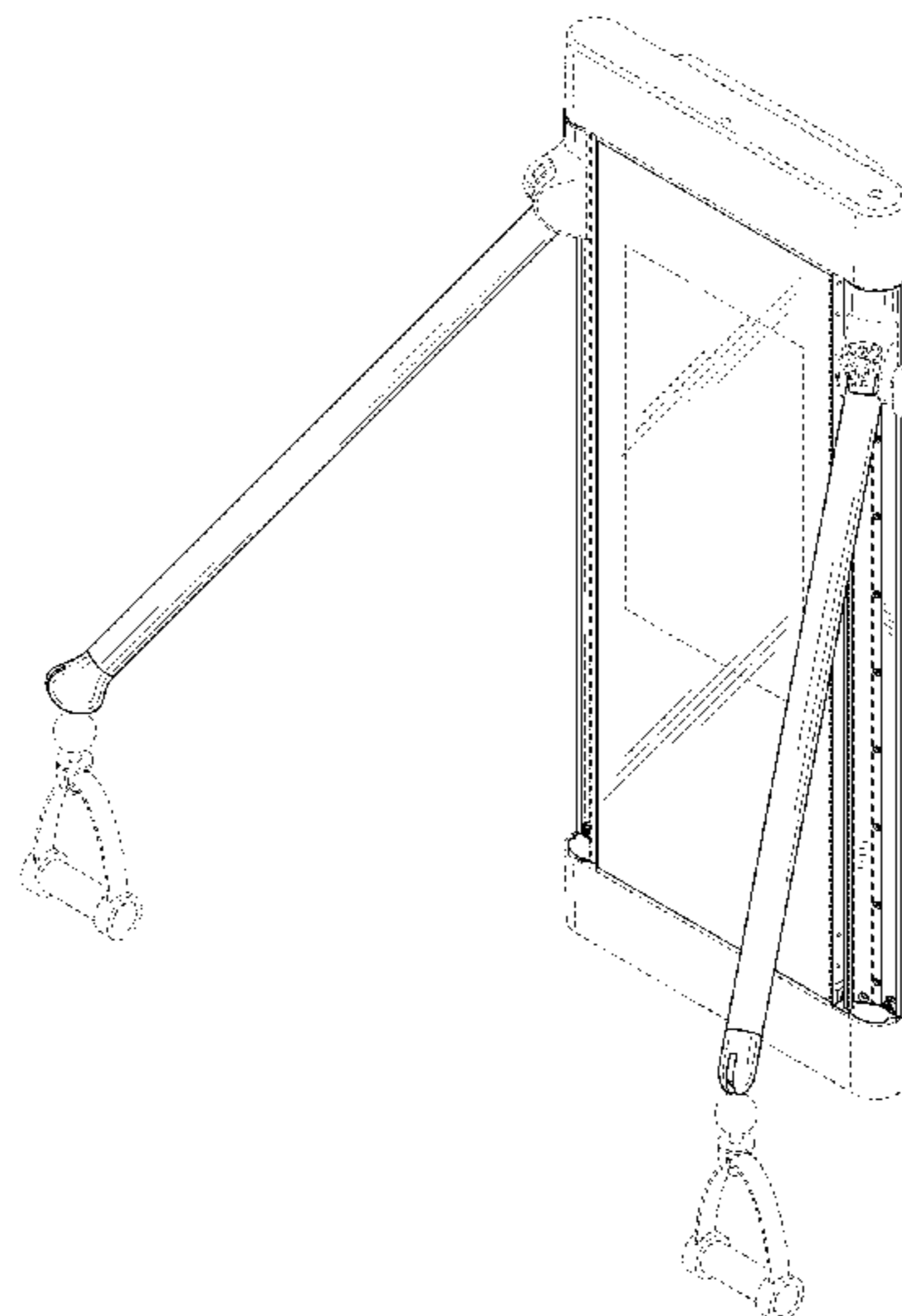
Related U.S. Application Data

- (63) Continuation of application No. 29/681,193, filed on Feb. 22, 2019, now Pat. No. Des. 921,132, which is a continuation-in-part of application No. 29/665,574, filed on Oct. 4, 2018, now Pat. No. Des. 912,168.
- (51) **LOC (14) Cl.** **21-02**
- (52) **U.S. Cl.**
USPC **D21/673**
- (58) **Field of Classification Search**
USPC D21/662, 673, 674, 675, 682, 684, 686, D21/692, 694
CPC A63B 23/03541; A63B 21/00061; A63B 21/05524; A63B 21/154
See application file for complete search history.

(56) **References Cited**
U.S. PATENT DOCUMENTS

- 195,116 A 9/1877 Foster
- 1,372,026 A 3/1921 Hastings
- 3,117,781 A 1/1964 Vargo
- 5,029,850 A 7/1991 van Straaten
- 5,362,296 A 11/1994 Wang

1 Claim, 14 Drawing Sheets



US D975,804 S

(56)

References Cited

U.S. PATENT DOCUMENTS

D572,776 S 7/2008 Wells
D586,410 S 2/2009 Citterio
7,601,105 B1 10/2009 Gipson
7,608,024 B2 10/2009 Sechrest
D605,712 S 12/2009 Bizzell
D606,134 S 12/2009 Bizzell
D612,437 S 3/2010 Fenster
8,096,926 B1 1/2012 Batca
D679,764 S 4/2013 Alessandri
8,500,607 B2 8/2013 Vittone
8,506,459 B2 8/2013 Cassidy
8,550,964 B2 10/2013 Ish, III
D692,971 S 11/2013 Alessandri
D692,972 S 11/2013 Alessandri
D708,274 S 7/2014 Eder
9,162,102 B1 10/2015 Eder
D742,461 S 11/2015 Baldwin
D746,925 S * 1/2016 Firth D21/686
9,656,116 B2 5/2017 Giannelli
9,744,400 B2 8/2017 Cole
D807,445 S 1/2018 Gettle
D842,398 S 3/2019 Zhu
10,500,442 B2 12/2019 Heng
D891,541 S 7/2020 Lin
D895,030 S 9/2020 Jaquish
D895,031 S 9/2020 Jaquish
D895,032 S 9/2020 Jaquish
D895,033 S 9/2020 Jaquish
D895,739 S 9/2020 Jaquish
D905,179 S * 12/2020 Kennington D21/673
D912,168 S * 3/2021 Orady D21/673
D921,132 S * 6/2021 Orady D21/673
D934,354 S * 10/2021 Kim D21/673
D937,367 S * 11/2021 Behar D21/673
D937,368 S * 11/2021 Behar D21/673
D946,673 S * 3/2022 Behar D21/673

D946,674 S * 3/2022 Behar D21/673
D947,964 S * 4/2022 Kim D21/673
2002/0013200 A1 1/2002 Sechrest
2002/0039954 A1 4/2002 Simonson
2003/0017918 A1 1/2003 Webb
2003/0045406 A1 3/2003 Stone
2005/0075223 A1 4/2005 Wu
2005/0137066 A1 6/2005 Wu
2006/0223683 A1 10/2006 Orona
2007/0015644 A1 1/2007 Aucamp
2007/0042881 A1 2/2007 Wu
2007/0093369 A1 4/2007 Bocchicchio
2007/0207904 A1 9/2007 Wu
2008/0300116 A1 12/2008 Eder
2009/0176634 A1 7/2009 Wu
2010/0255966 A1 10/2010 Aucamp
2013/0090216 A1 4/2013 Jackson
2013/0157816 A1 6/2013 Lyszczarz
2015/0031512 A1 1/2015 Schleiden, II
2015/0182773 A1 7/2015 Olson
2017/0150786 A1 6/2017 Ness
2017/0172832 A1 6/2017 Rosario, Jr.
2017/0232302 A1 8/2017 Dedvukaj
2017/0246507 A1 8/2017 Kennington
2017/0319941 A1 11/2017 Smith
2017/0333742 A1 11/2017 Reese
2018/0021616 A1 1/2018 Orady
2018/0243600 A1 8/2018 Kennington
2019/0099632 A1 4/2019 Orady
2019/0099633 A1 4/2019 Orady
2019/0099637 A1 4/2019 Valente
2019/0099652 A1 4/2019 Orady
2019/0299042 A1 10/2019 Slayton
2019/0308057 A1 10/2019 Chen
2020/0047027 A1 2/2020 Ward
2020/0047031 A1 2/2020 Orady
2020/0086197 A1 3/2020 Kim
2021/0236874 A1 * 8/2021 Ward A63B 21/0058

* cited by examiner

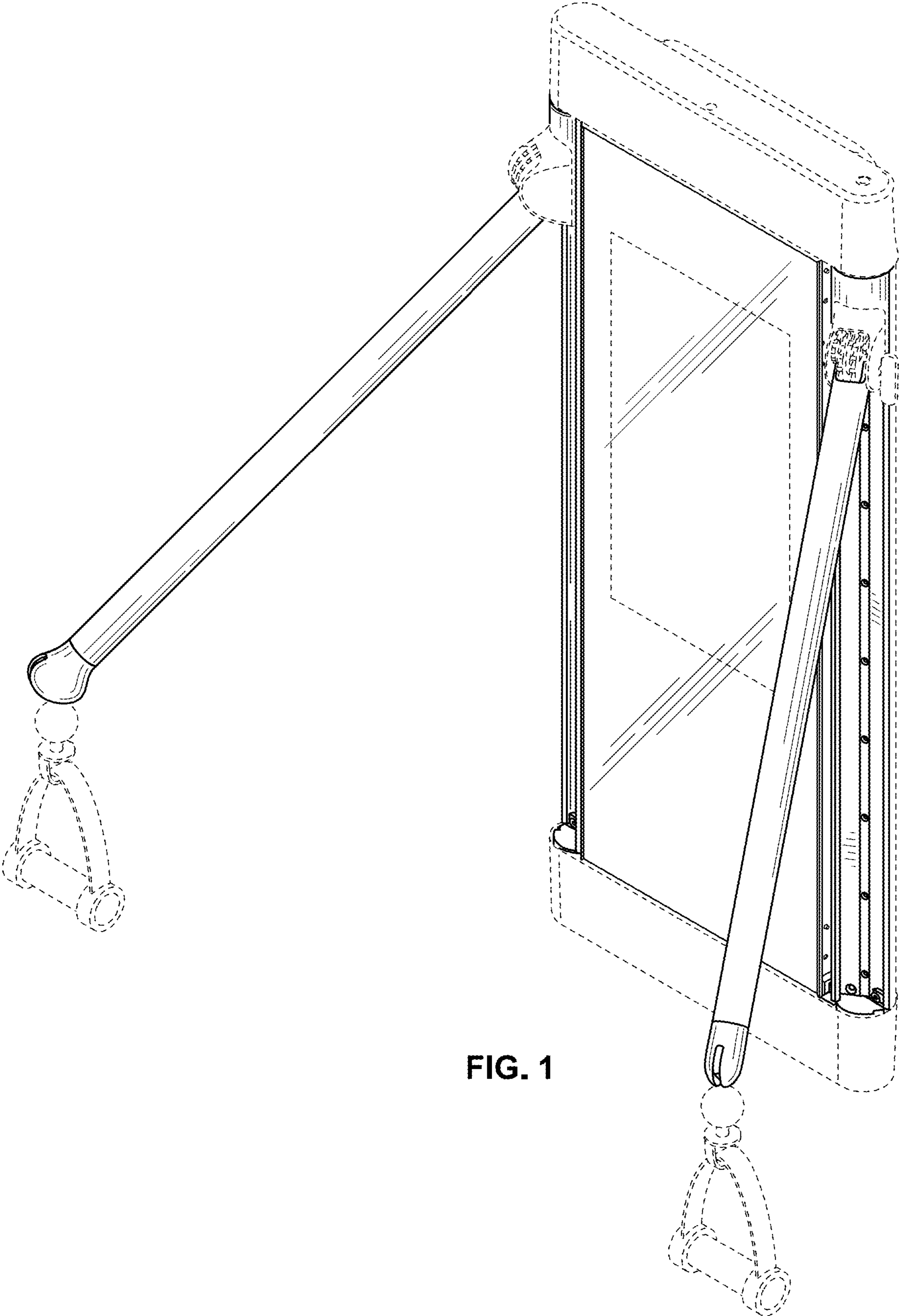


FIG. 1

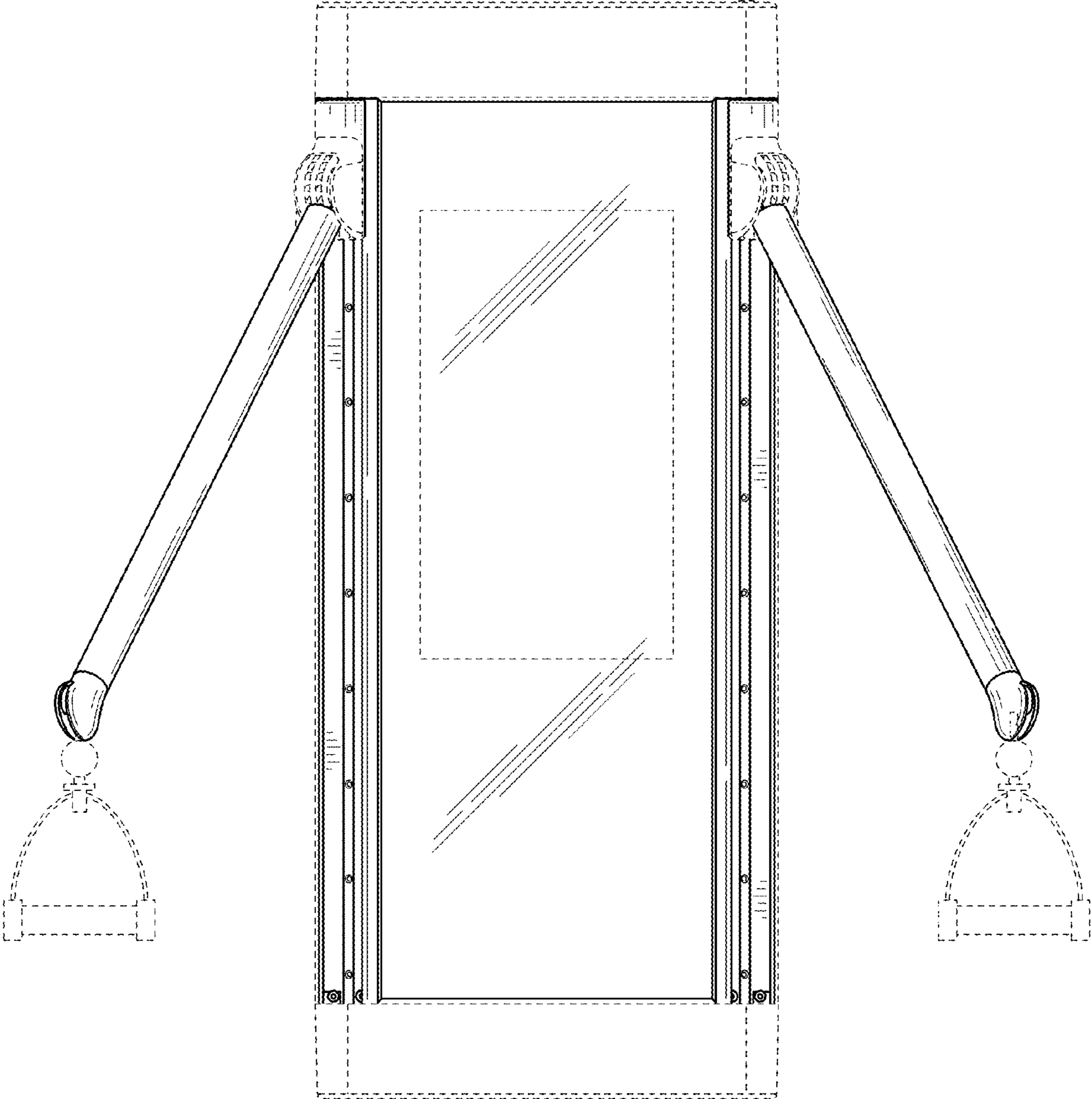


FIG. 2

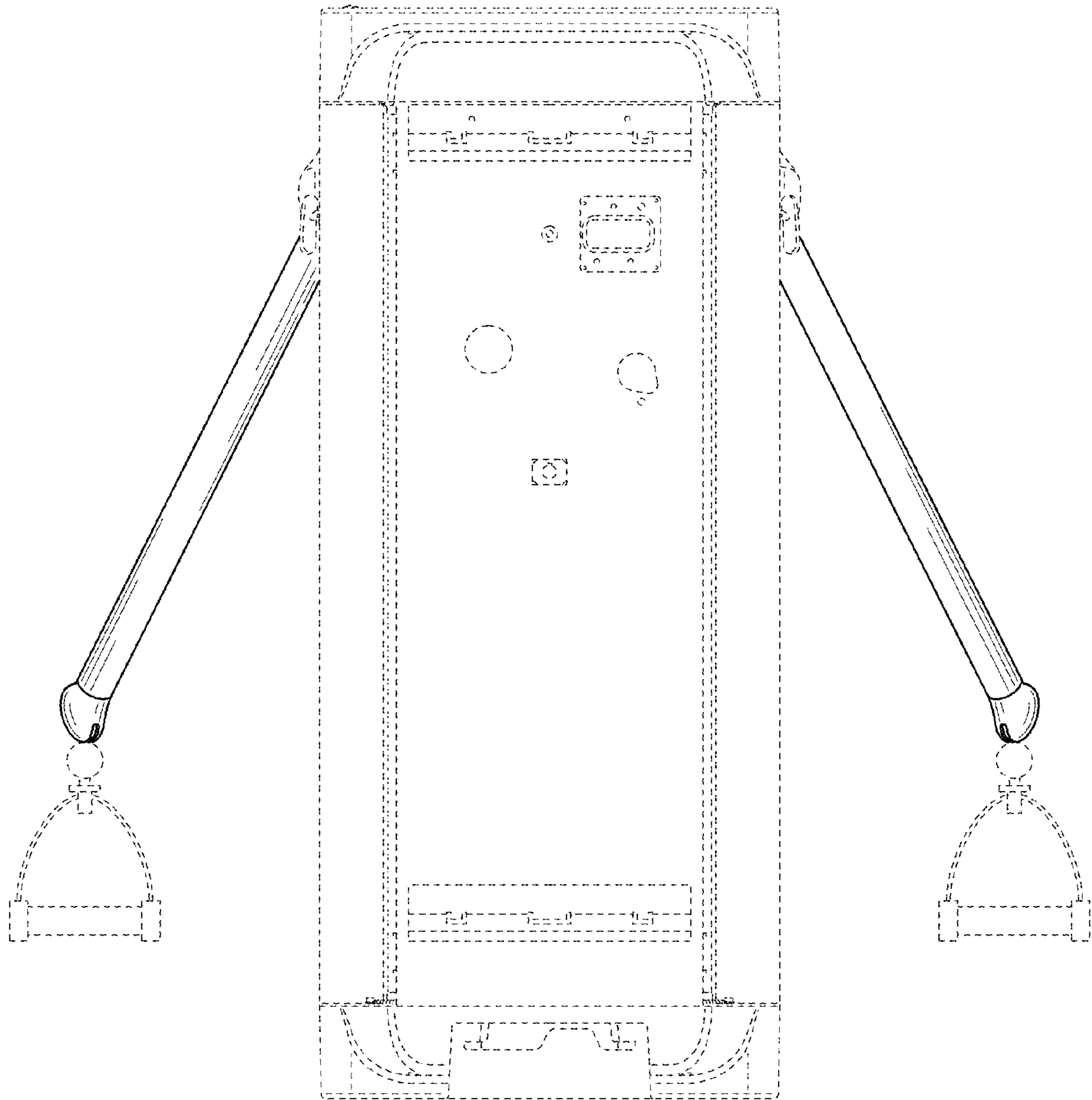


FIG. 3

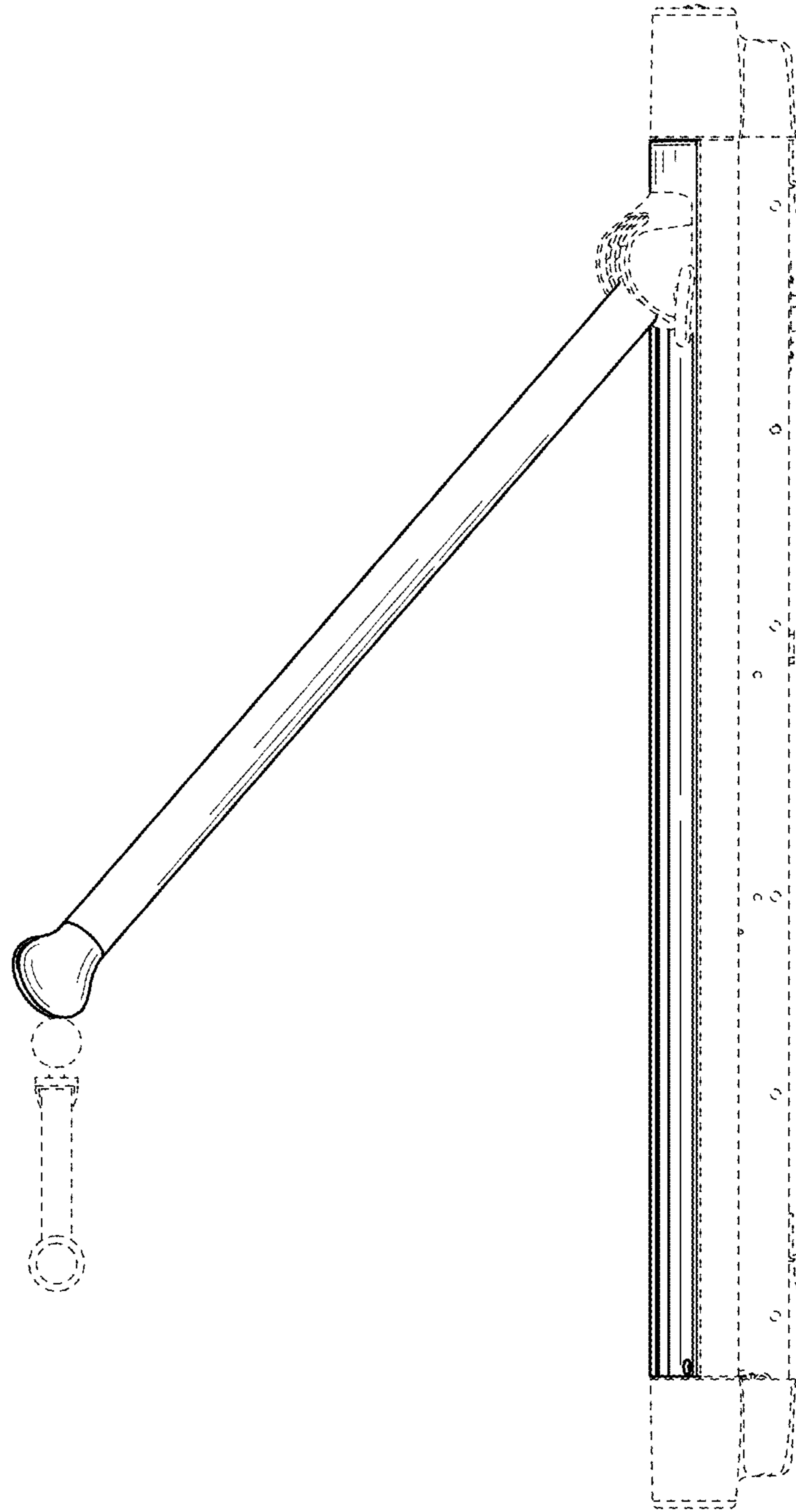


FIG. 4

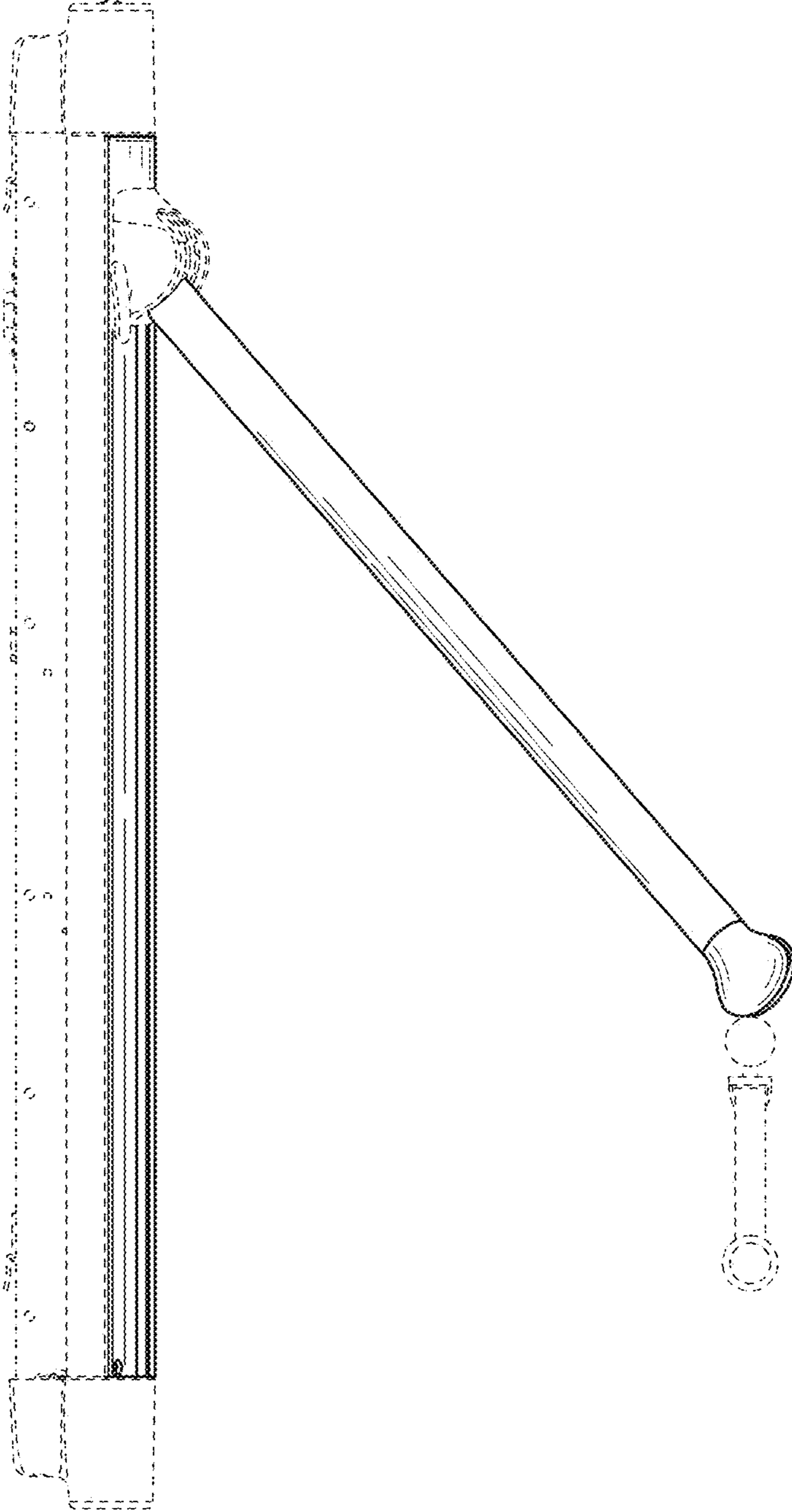


FIG. 5

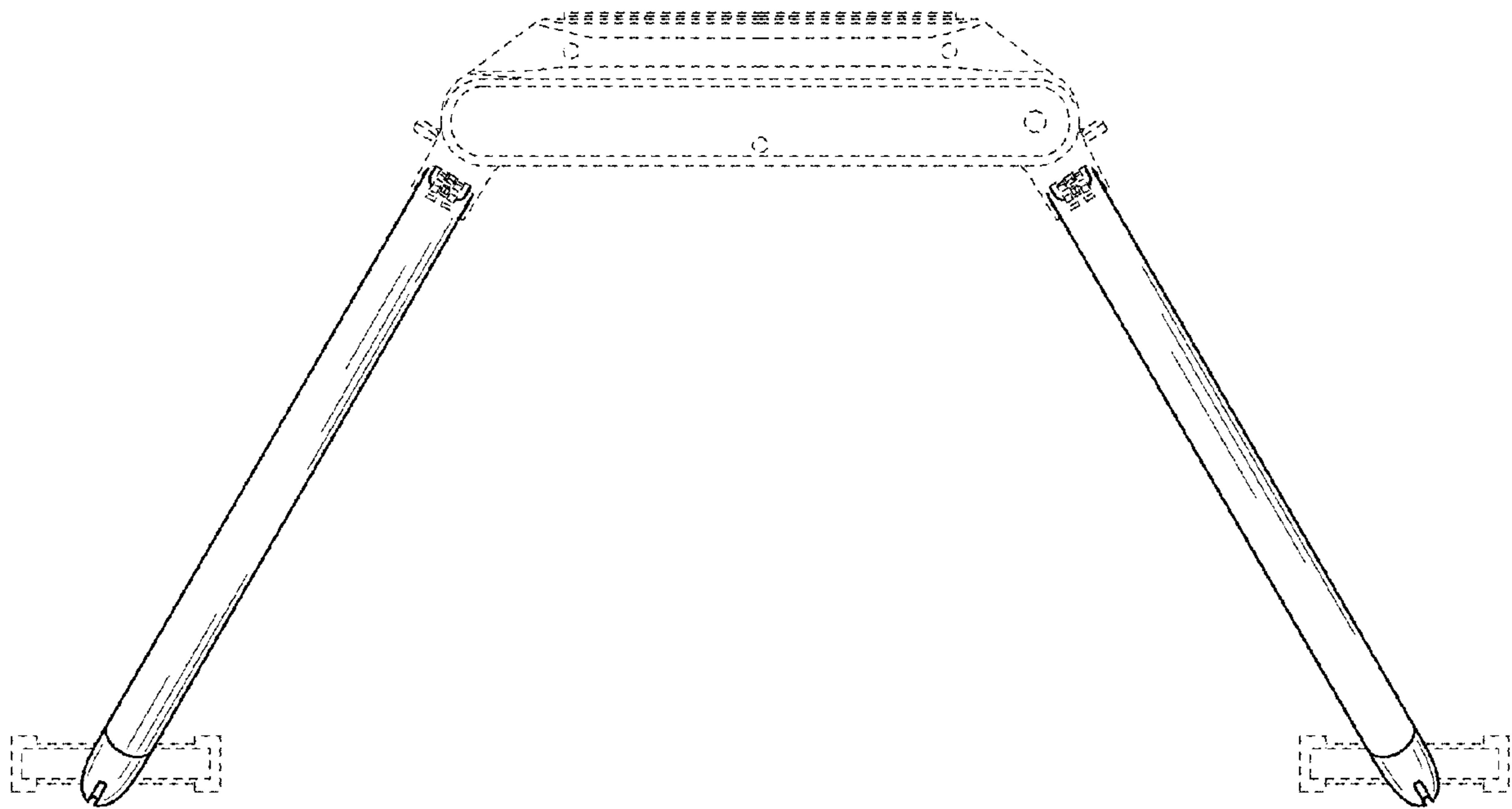


FIG. 6

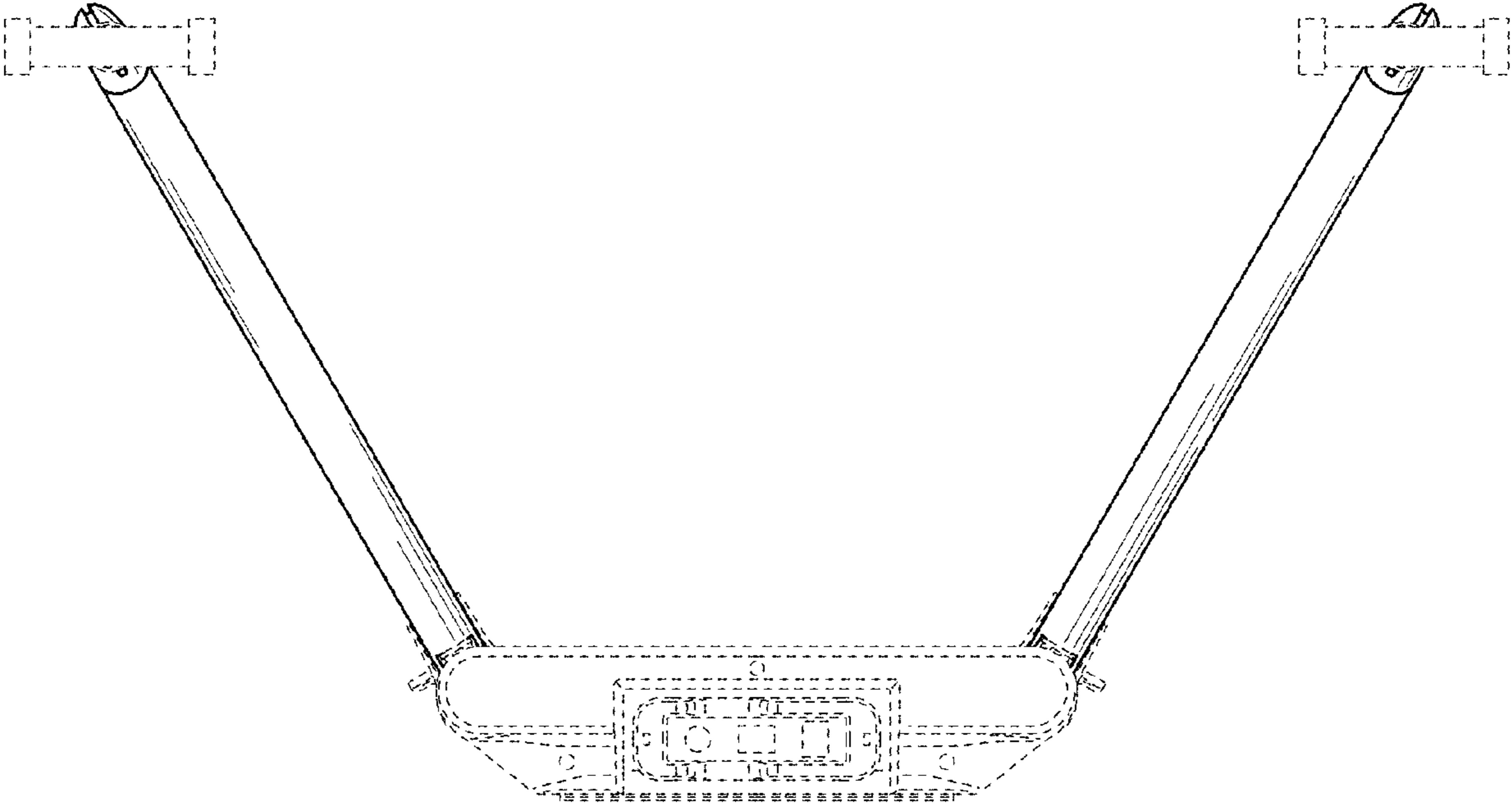


FIG. 7

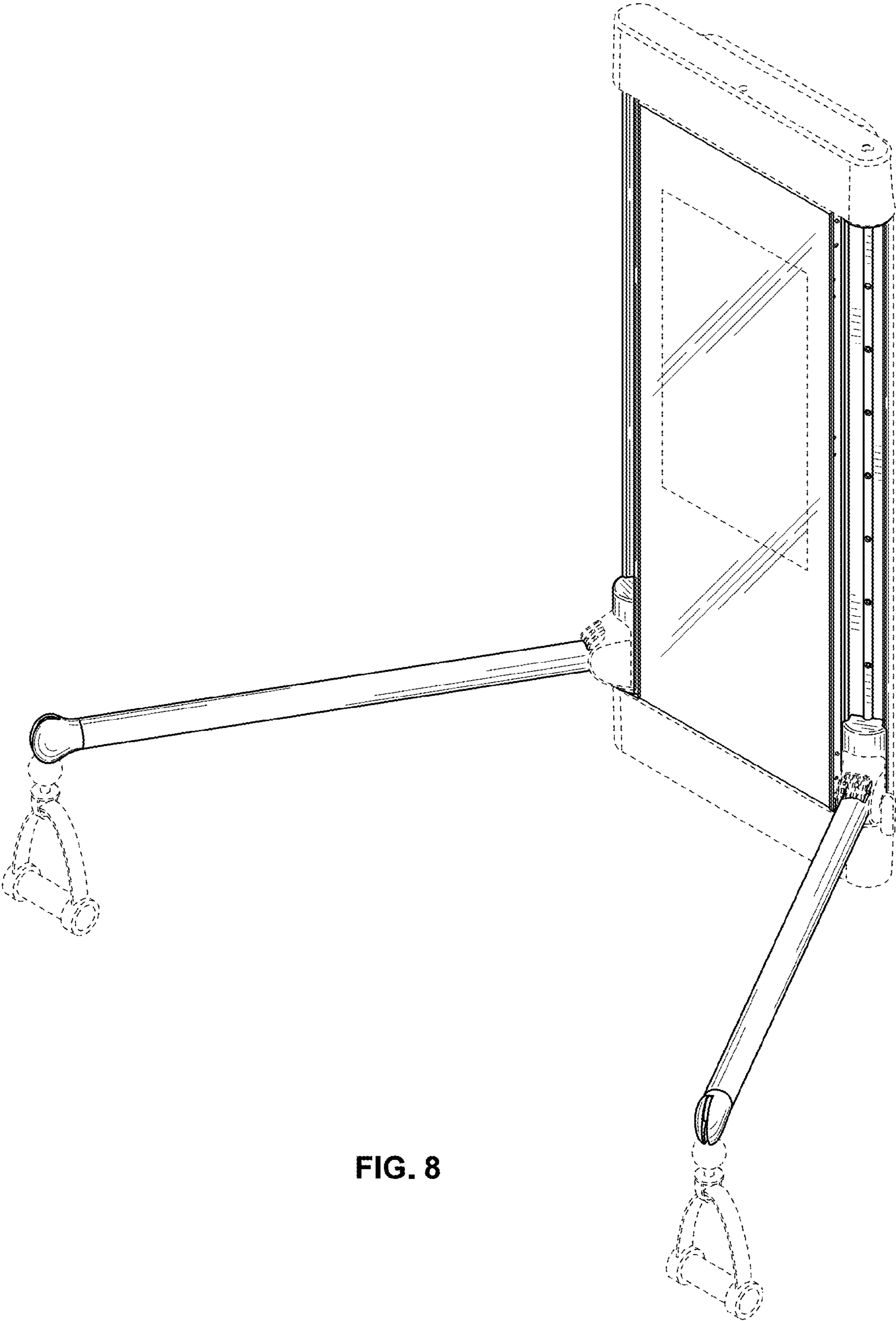


FIG. 8

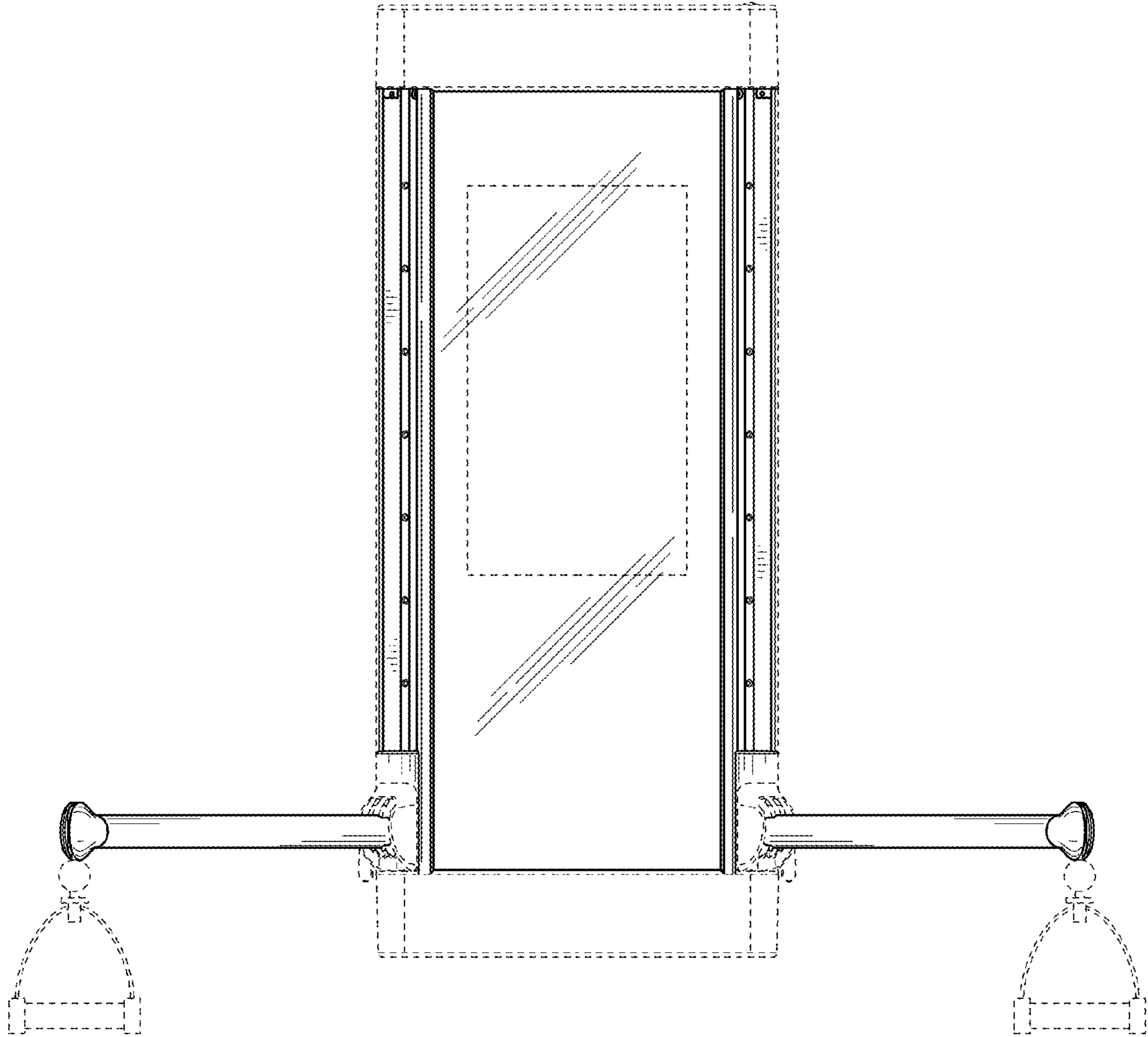


FIG. 9

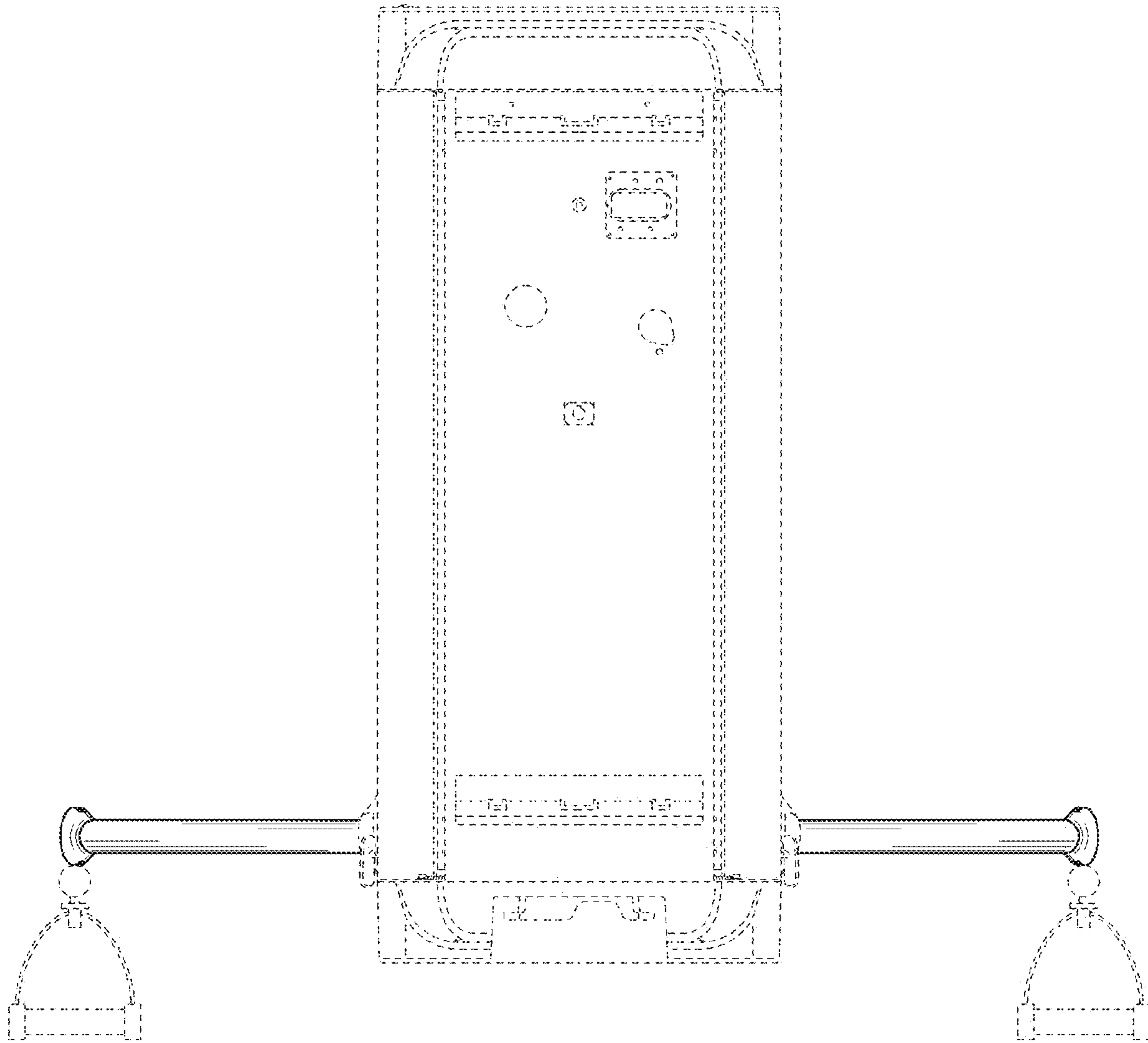


FIG. 10

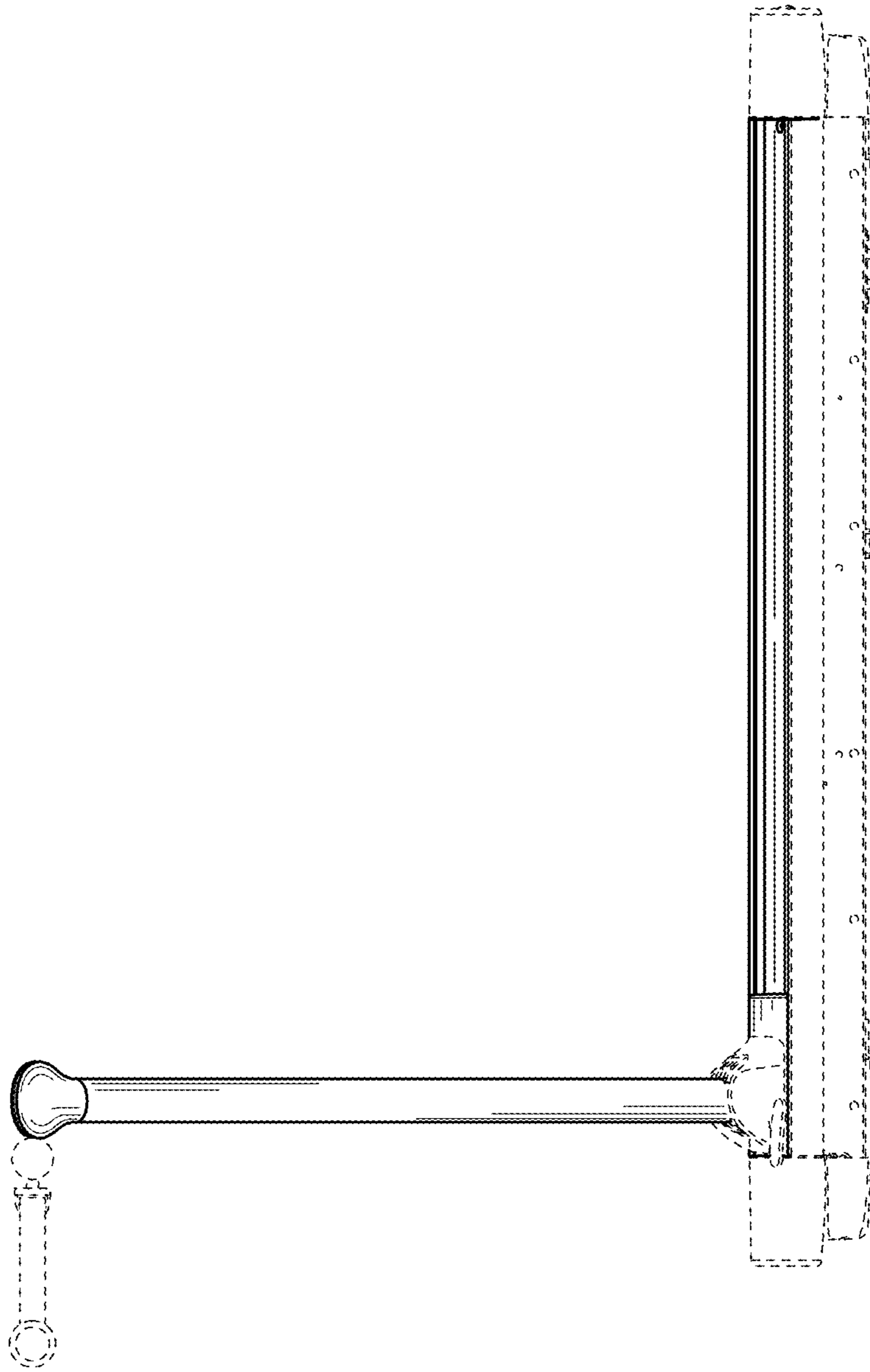


FIG. 11

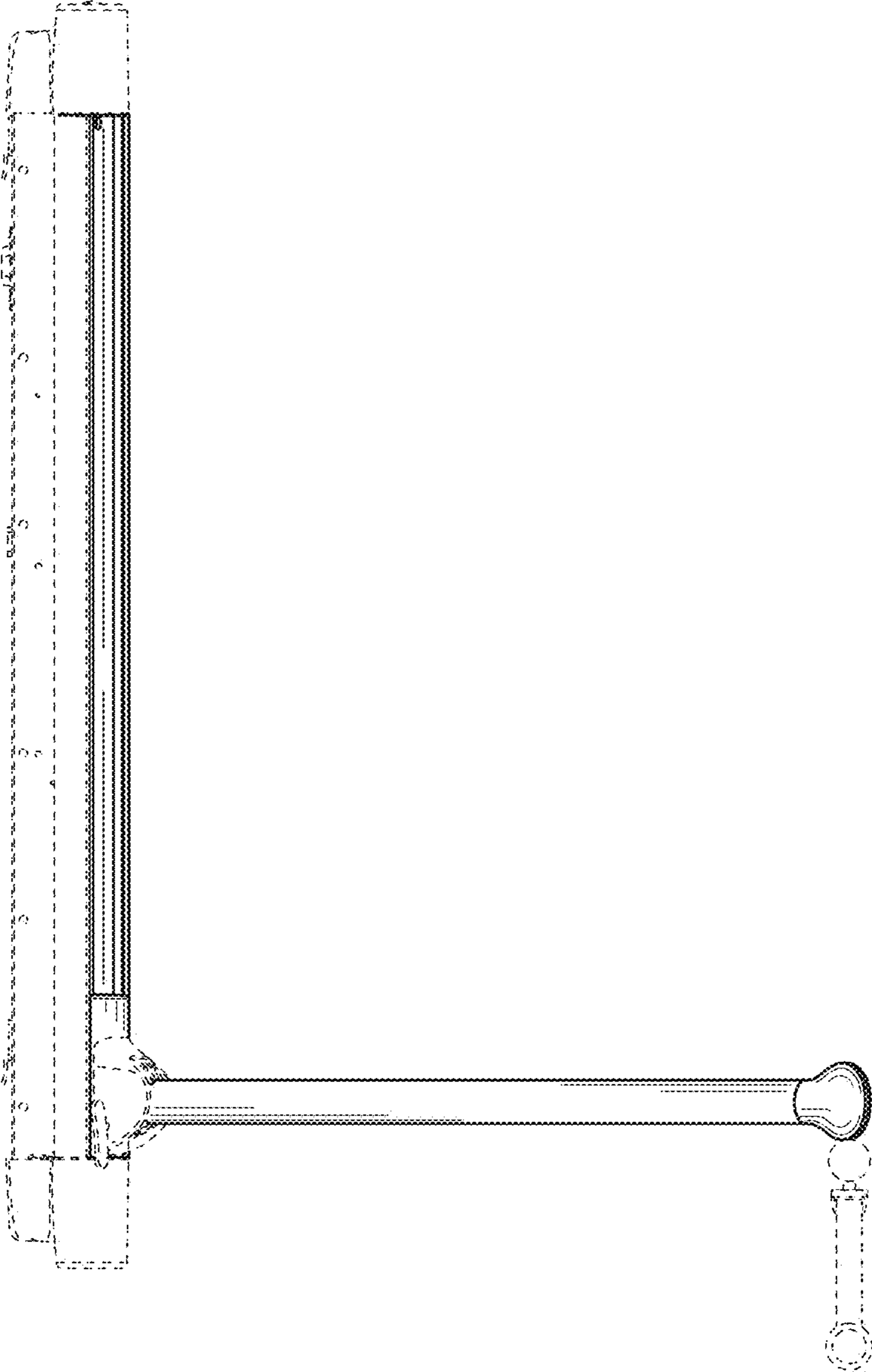


FIG. 12

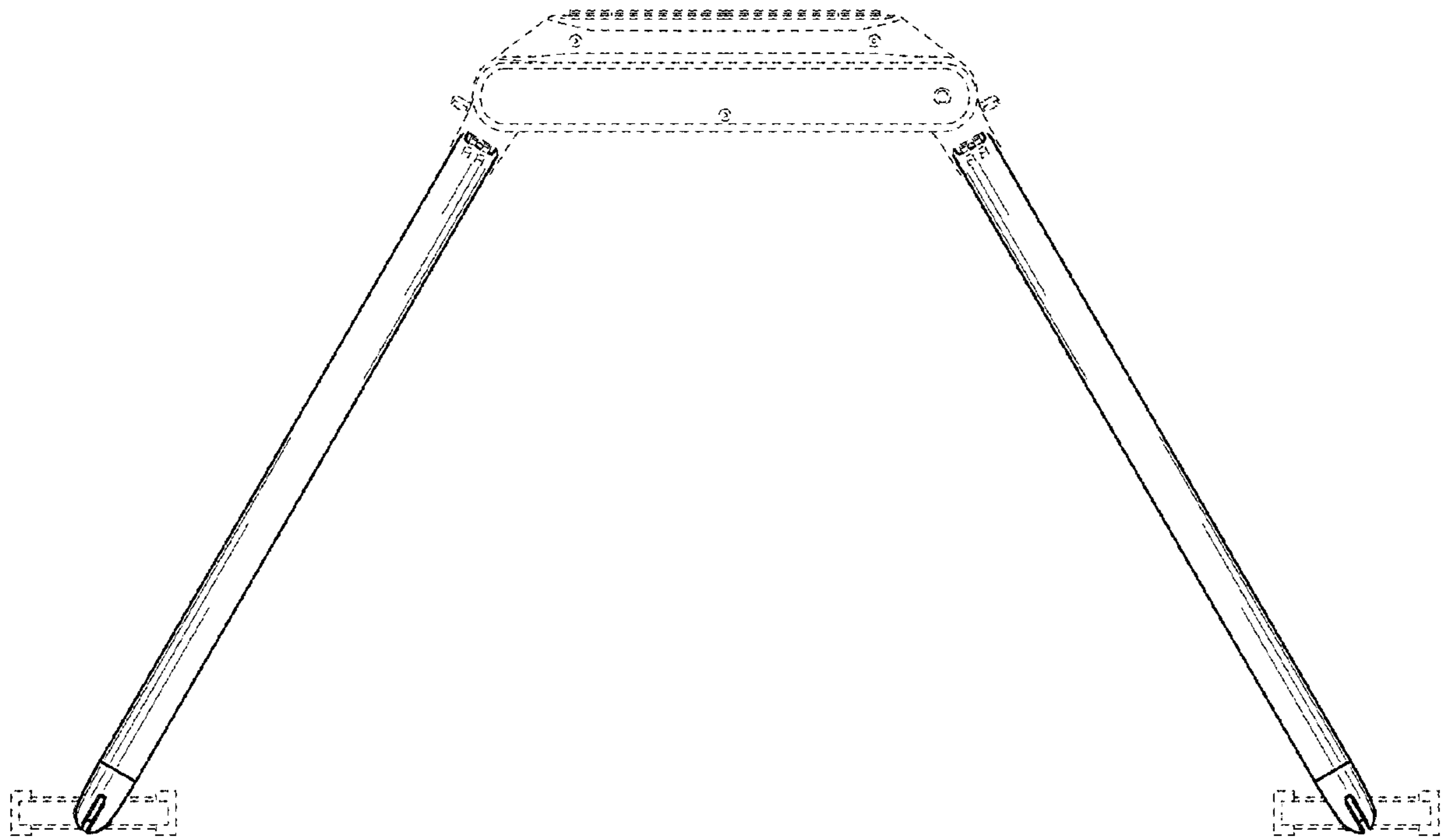


FIG. 13

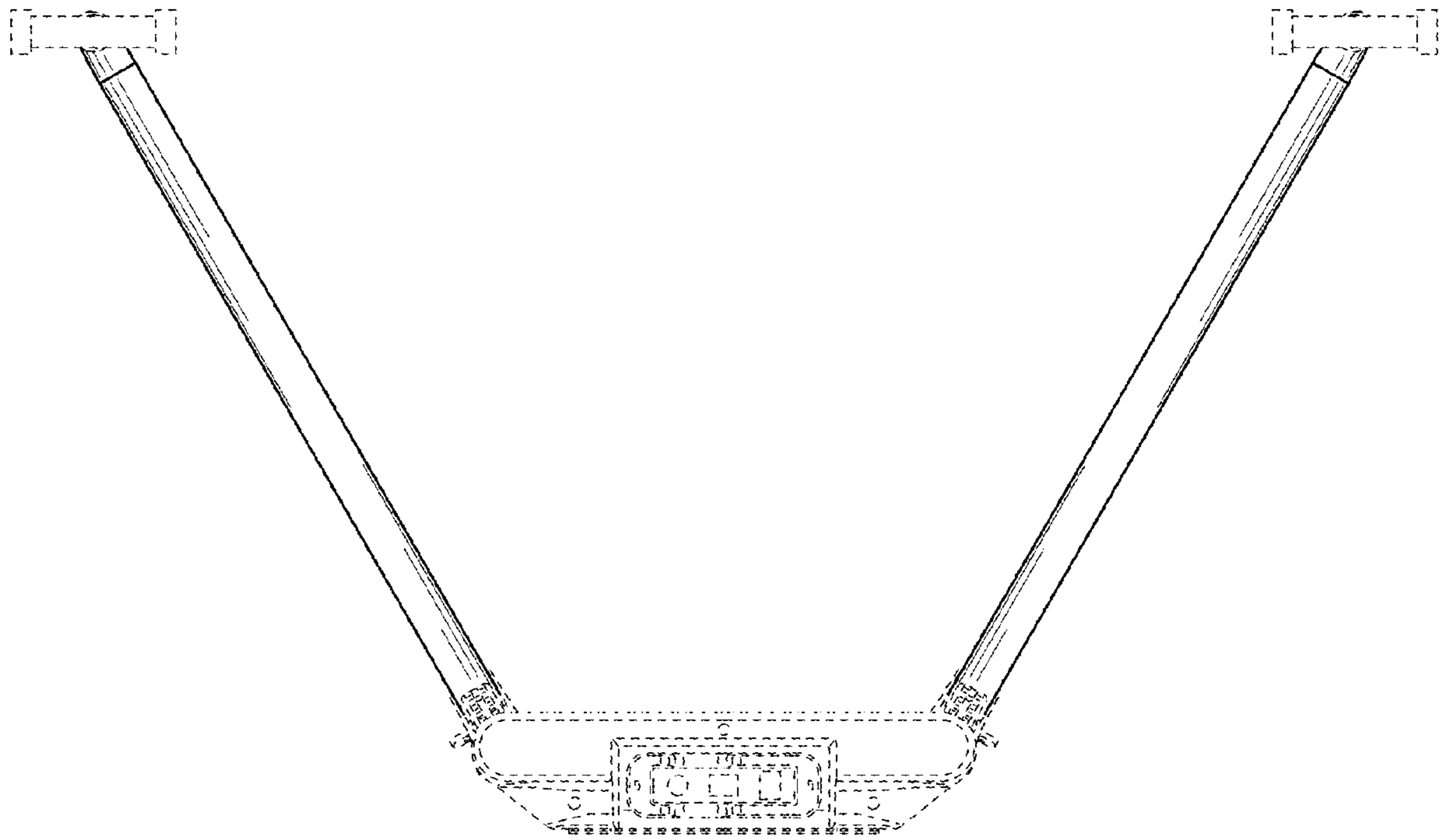


FIG. 14