



US00D975803S

(12) **United States Design Patent**
Li

(10) **Patent No.:** **US D975,803 S**
(45) **Date of Patent:** **** Jan. 17, 2023**

(54) **TREADMILL**

D926,895 S * 8/2021 Zhu D21/669
D929,511 S * 8/2021 Chen D21/669
D934,353 S * 10/2021 Hu D21/669

(71) Applicant: **Shenzhen Sailvan Network
Technology Co., Ltd., Guangdong
(CN)**

(Continued)

FOREIGN PATENT DOCUMENTS

(72) Inventor: **Chuanbo Li, Guangdong (CN)**

CN 307311439 * 2/2022

(73) Assignee: **Shenzhen Sailvan Network
Technology Co., Ltd., Shenzhen (CN)**

OTHER PUBLICATIONS

(**) Term: **15 Years**

“XTERRA Fitness TR150 Folding Treadmill” Jan. 1, 2017, Amazon, site visited May 20, 2022: <https://amzn.to/3sK7PxR> (Year: 2017).*

(21) Appl. No.: **29/765,281**

(Continued)

(22) Filed: **Jan. 7, 2021**

Primary Examiner — Jack Reickel
Assistant Examiner — Salamah Jordan

(30) **Foreign Application Priority Data**

Nov. 12, 2020 (CN) 202030683500.6

(57) **CLAIM**

(51) **LOC (14) Cl.** **21-02**

The ornamental design for a treadmill, as shown and described.

(52) **U.S. Cl.**

DESCRIPTION

USPC **D21/669**

(58) **Field of Classification Search**

USPC D21/662, 668, 669, 685, 686, 691, 694
CPC ... A63B 71/0036; A63B 2244/22; A63B 1/00;
A63B 71/023; A63B 2210/50; A63B
17/00; A63B 17/02

See application file for complete search history.

FIG. 1 is a top, rear and right side perspective view of a treadmill showing my new design;
FIG. 2 is a bottom, front and left side perspective view thereof;
FIG. 3 is a front elevational view thereof;
FIG. 4 is a rear elevational view thereof;
FIG. 5 is a left side view thereof;
FIG. 6 is a right side view thereof;
FIG. 7 is a top plan view thereof;
FIG. 8 is a bottom plan view thereof;
FIG. 9 is an enlarged view of portion 9 in FIG. 1;
FIG. 10 is an enlarged view of portion 10 in FIG. 1;
FIG. 11 is an enlarged view of portion 11 in FIG. 2; and,
FIG. 12 is an enlarged view of portion 12 in FIG. 2.

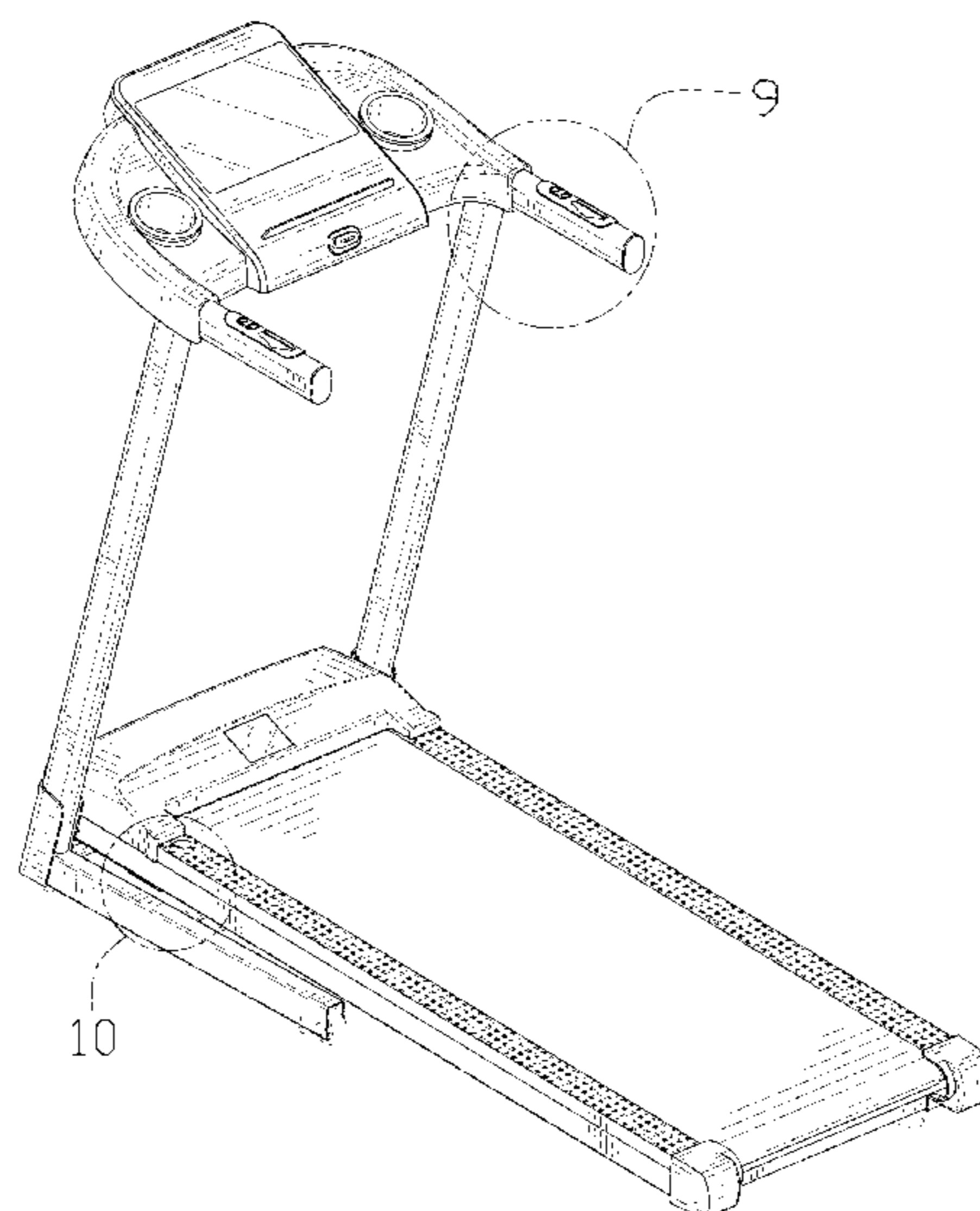
The broken lines in the drawings illustrate portions of the treadmill which form no part of the claimed design.
The oblique shade lines in the drawings represent reflective surfaces.

(56) **References Cited**

U.S. PATENT DOCUMENTS

D372,508 S * 8/1996 Clem D21/669
D392,351 S * 3/1998 Coody D21/669
D494,234 S * 8/2004 Sporie D21/669
D500,348 S * 12/2004 Parise D21/669
D607,067 S * 12/2009 Wu D21/669
D888,845 S * 6/2020 Luo D21/669
D889,569 S * 7/2020 Luo D21/669
D908,817 S * 1/2021 Wang D21/669
D910,123 S * 2/2021 Li D21/669
D919,719 S * 5/2021 Ren D21/669

1 Claim, 12 Drawing Sheets



(56)

References Cited

U.S. PATENT DOCUMENTS

D934,961 S * 11/2021 Luo D21/669
D935,537 S * 11/2021 Wang D21/669
D947,298 S * 3/2022 Ren D21/669
D952,064 S * 5/2022 Pan D21/669
D952,768 S * 5/2022 Hu D21/669
D965,082 S * 9/2022 Zeng D21/669
2017/0189744 A1 * 7/2017 Baker A63B 69/0062
2021/0387043 A1 * 12/2021 Tian A63B 22/0235
2021/0402279 A1 * 12/2021 Luo A63B 71/0036

OTHER PUBLICATIONS

“NordicTrack Commercial 1750 vs Sole F80 Treadmill Comparison” Oct. 4, 2018, Youtube,, site visited Sep. 29, 2022: https://www.youtube.com/watch?v=kZj3F2e_law (Year: 2018).*

“Top 5 Treadmills of 2018” Sep. 13, 2018, Youtube,, site visited Sep. 29, 2022: <https://www.youtube.com/watch?v=B6OityPEhhY> (Year: 2018).*

* cited by examiner

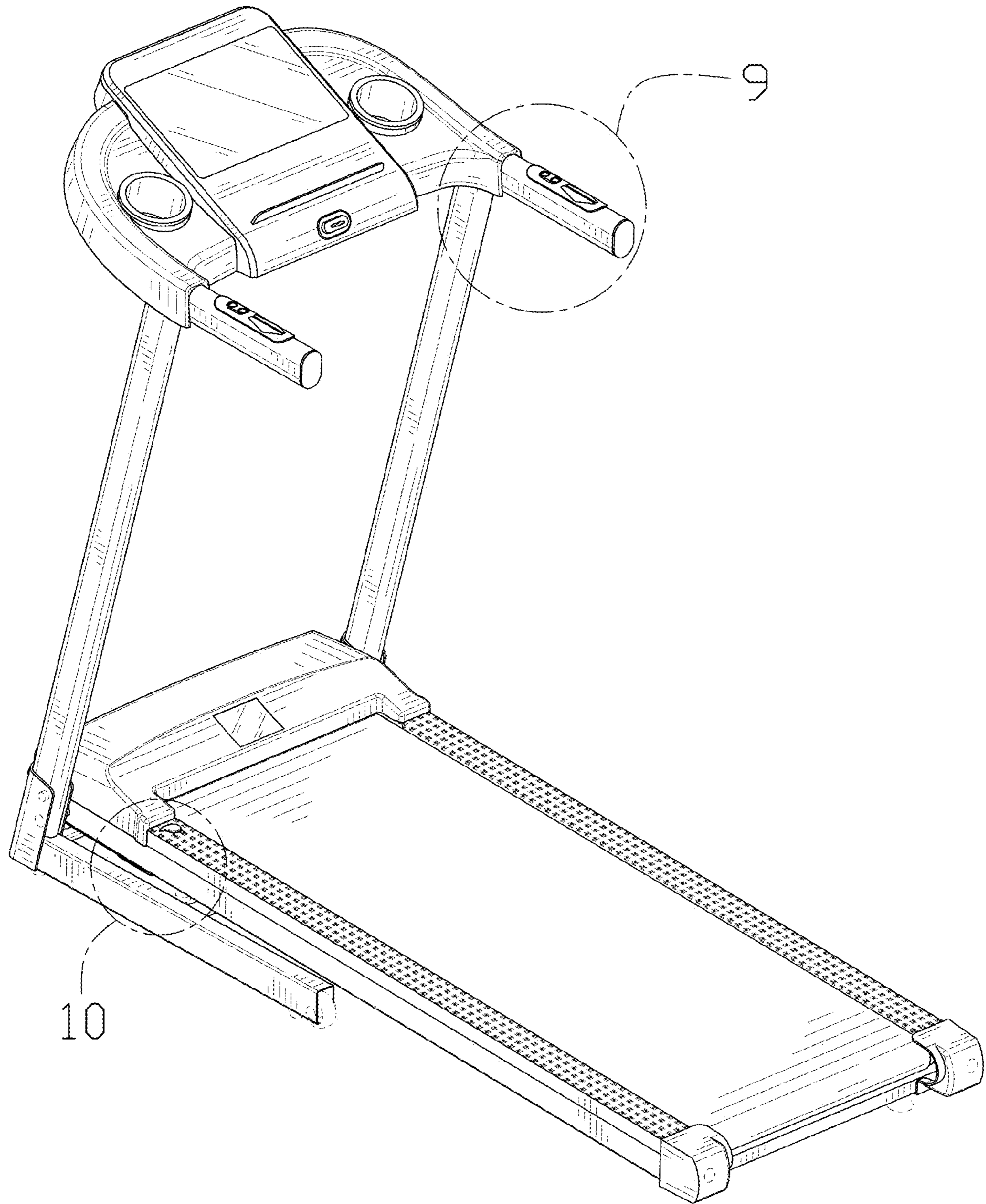


FIG. 1

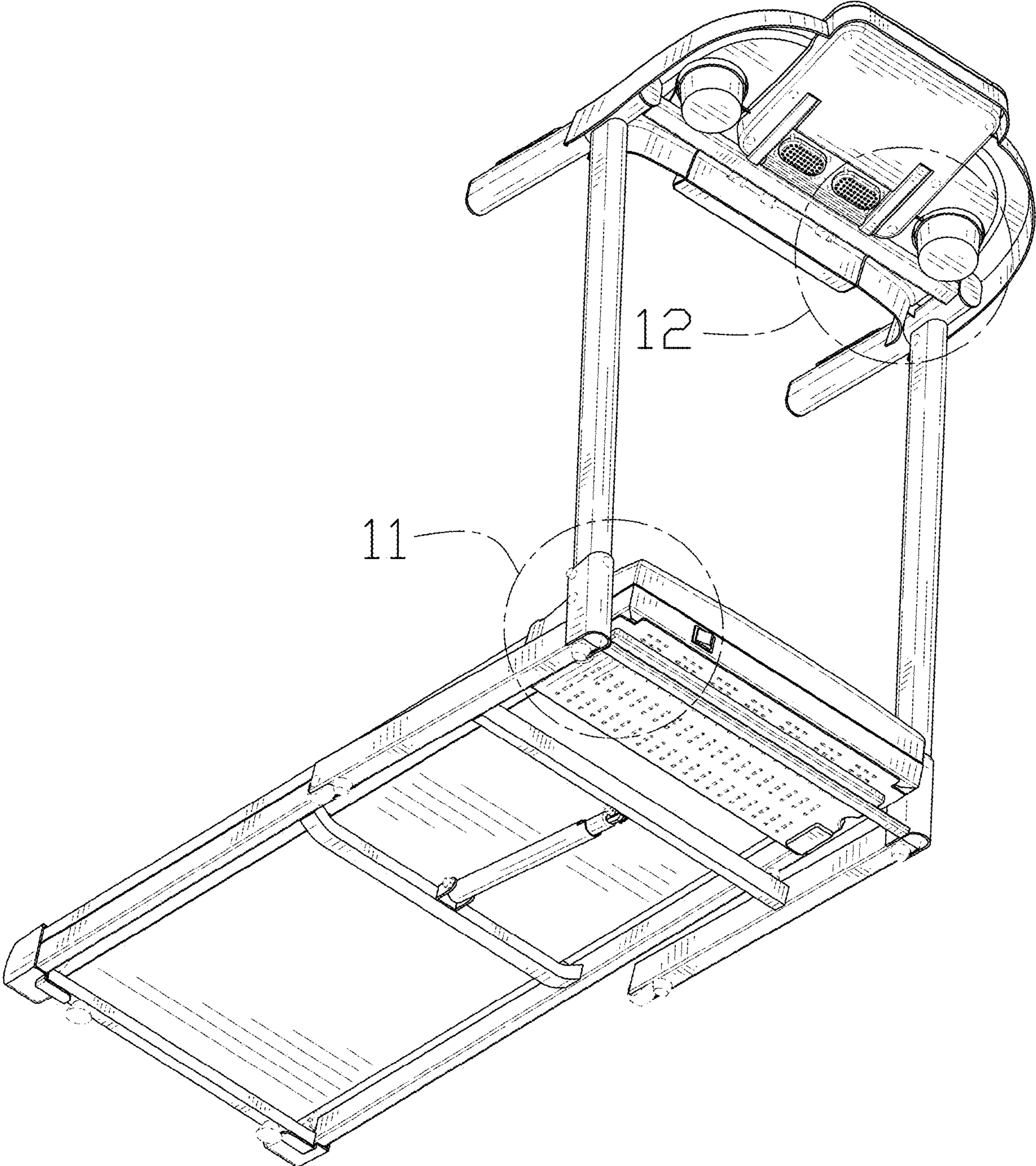


FIG. 2

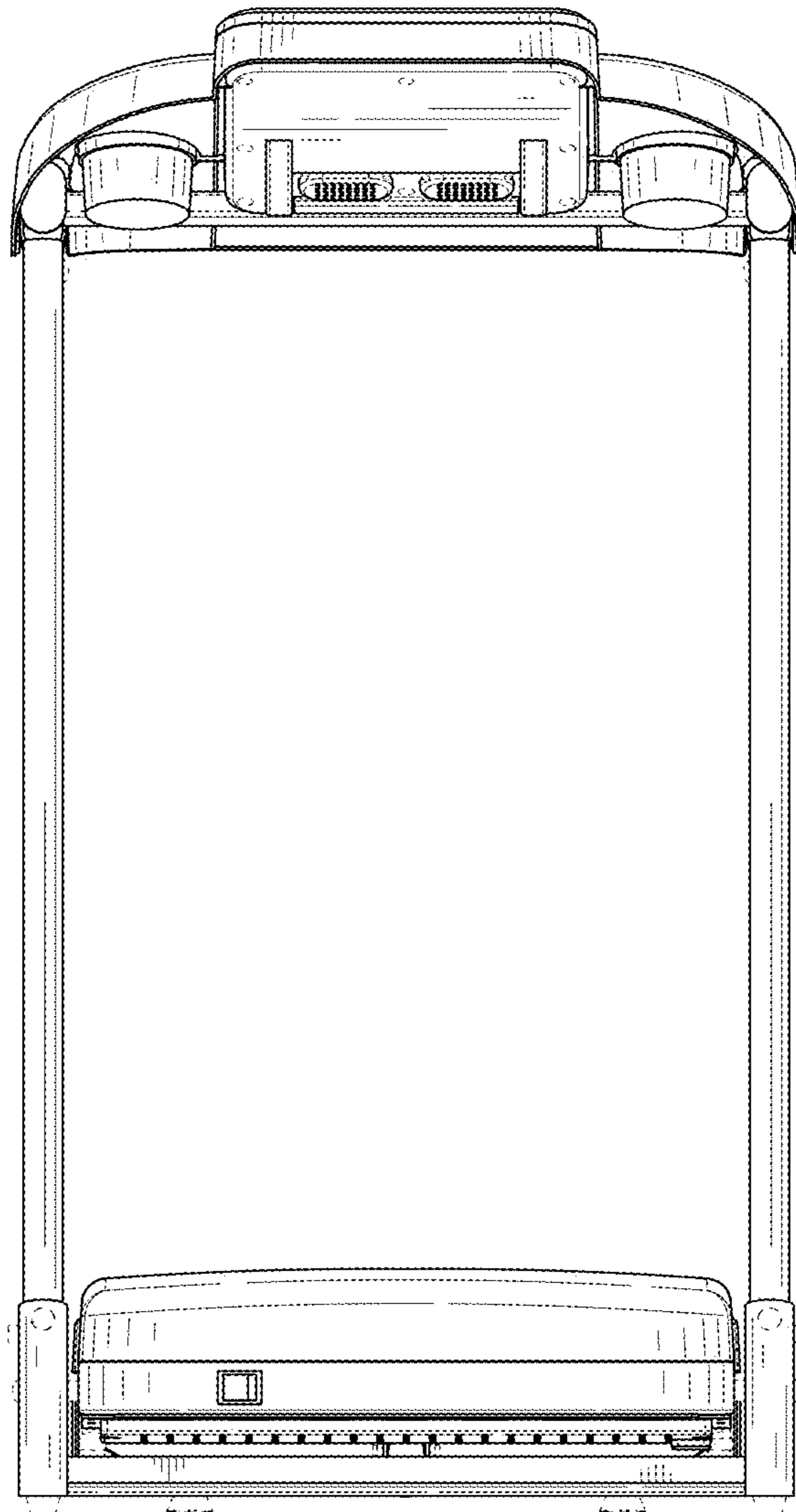


FIG. 3

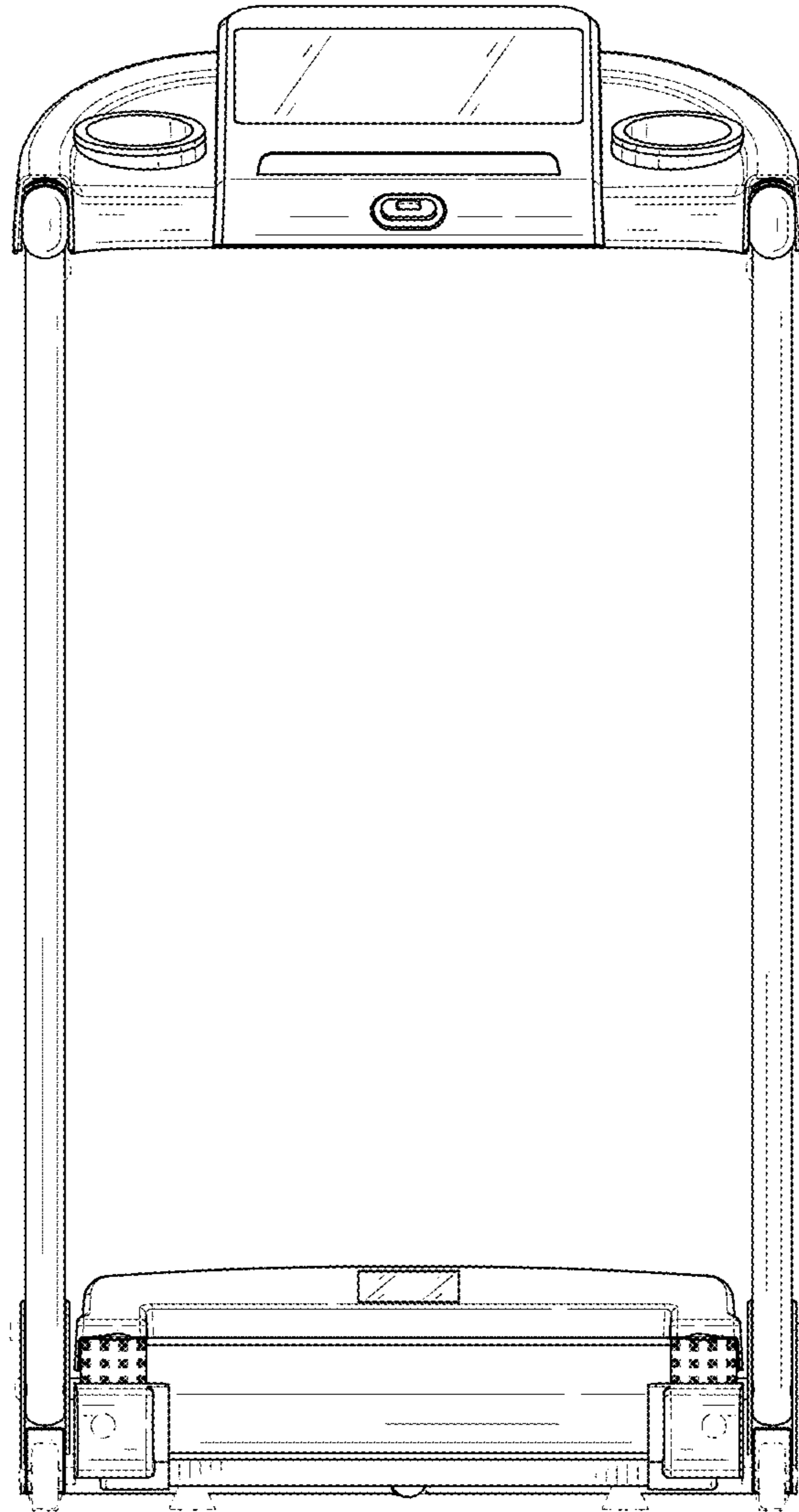


FIG. 4

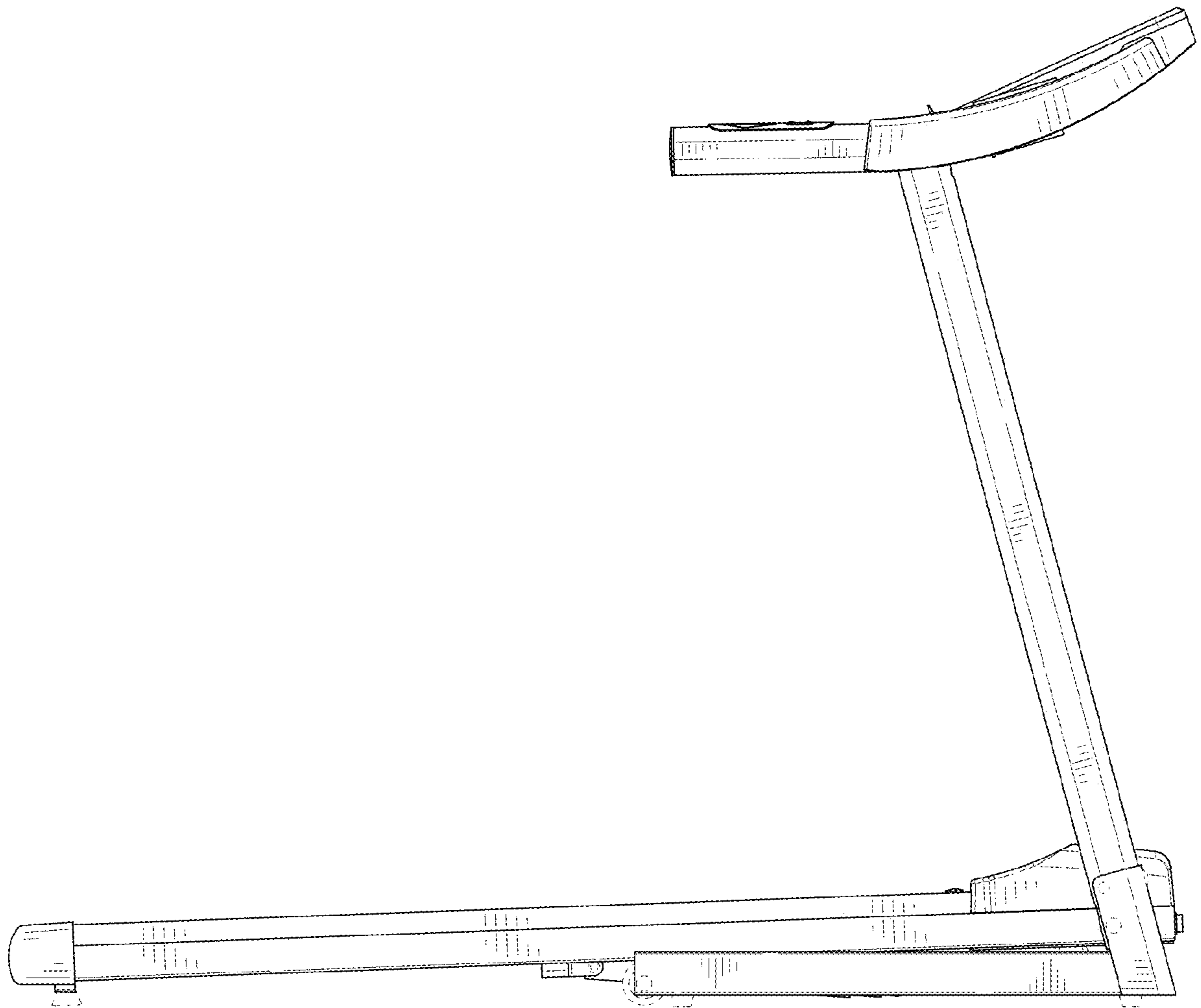


FIG. 5

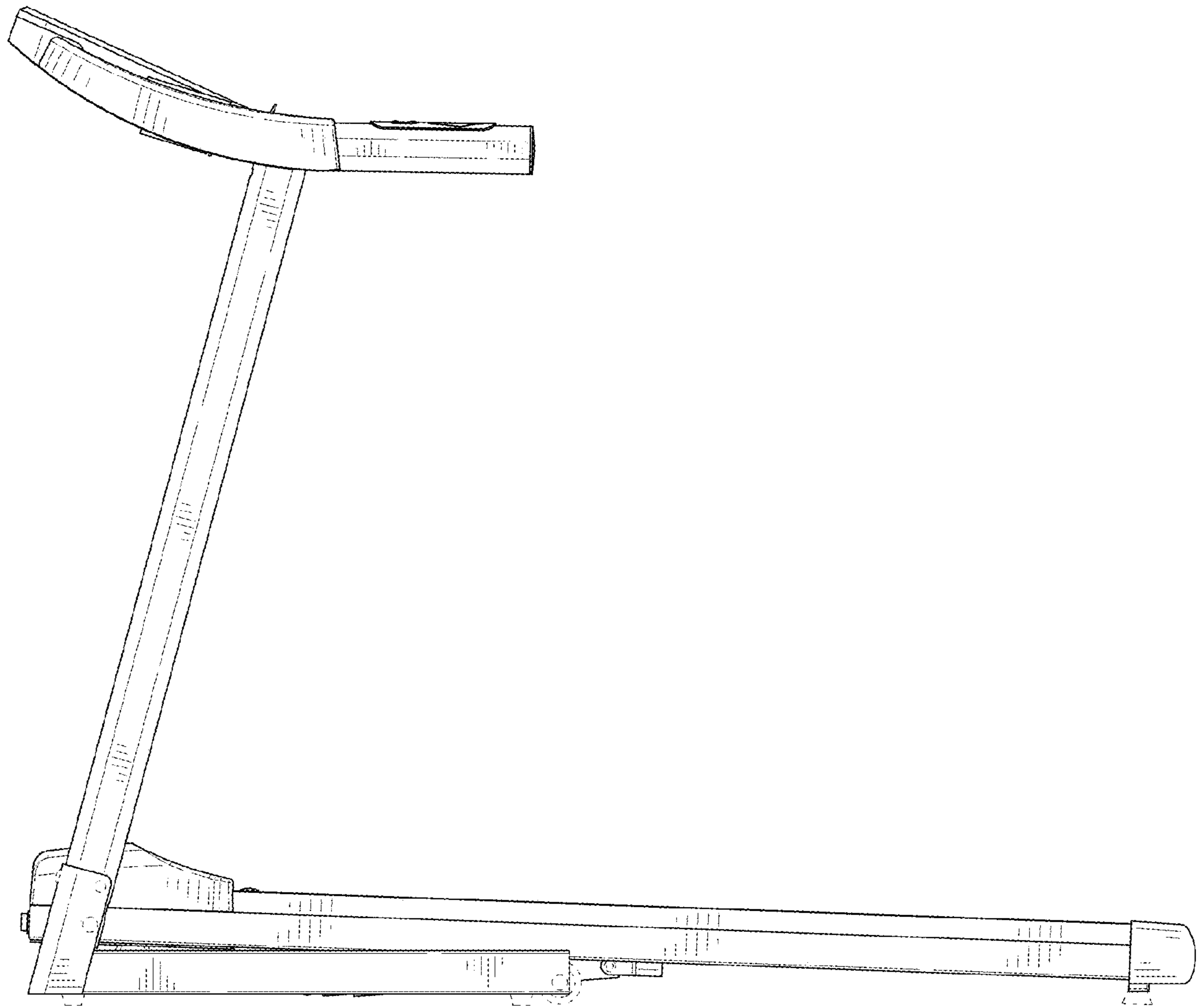


FIG. 6

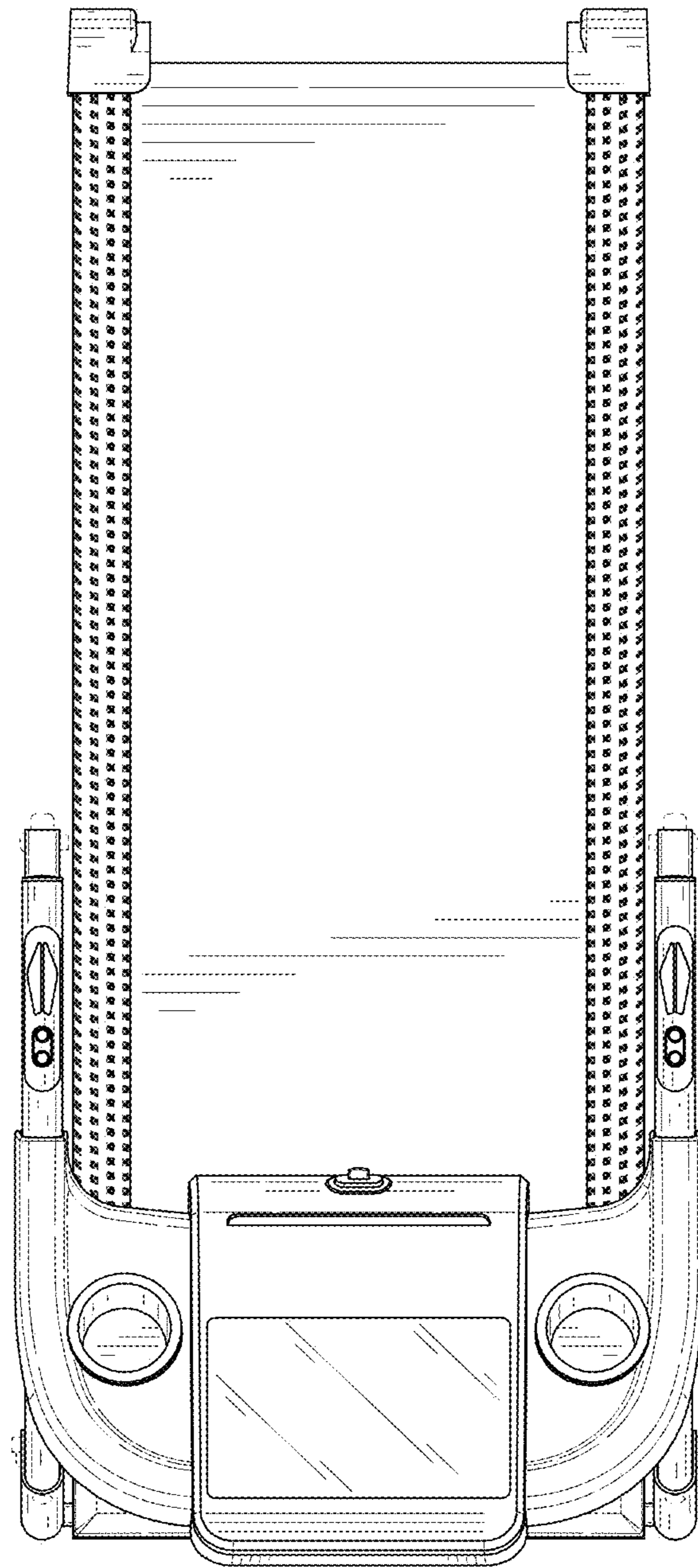


FIG. 7

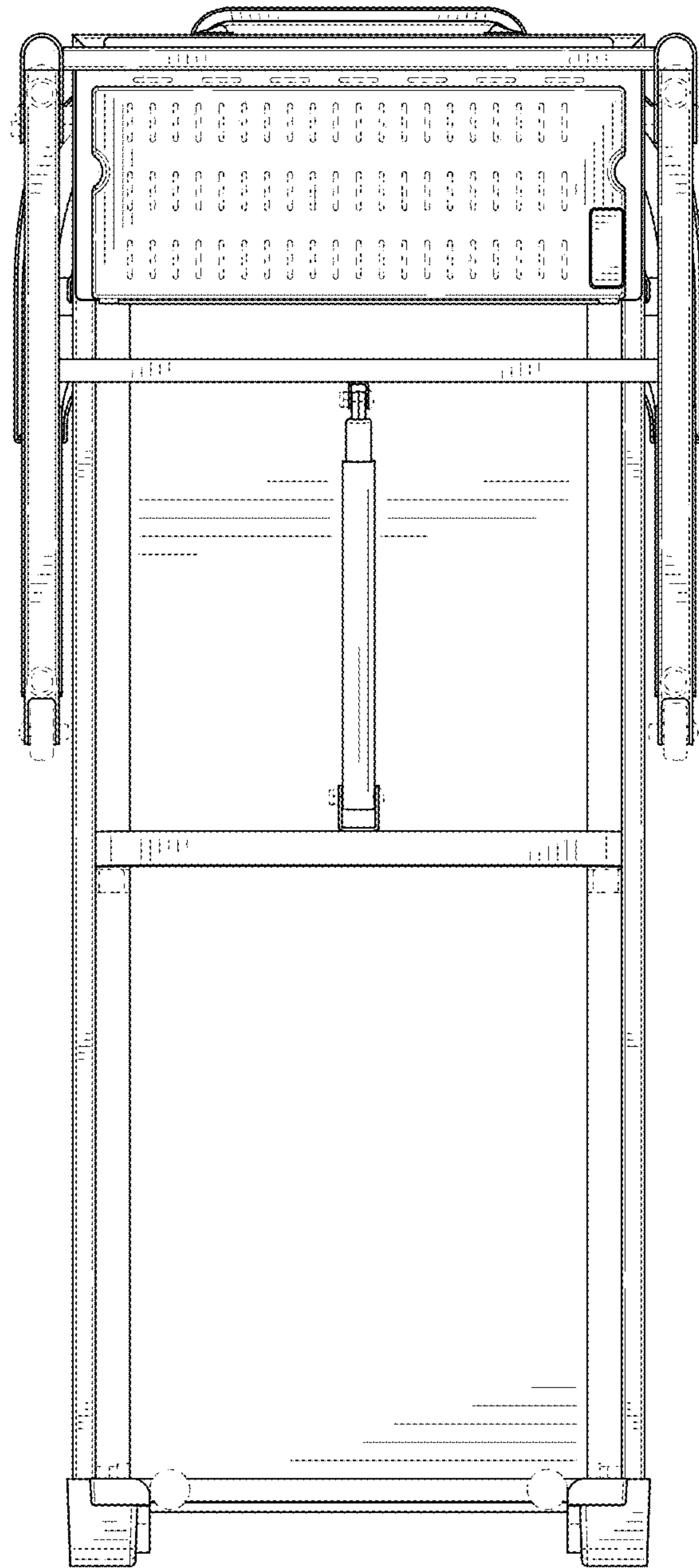


FIG. 8

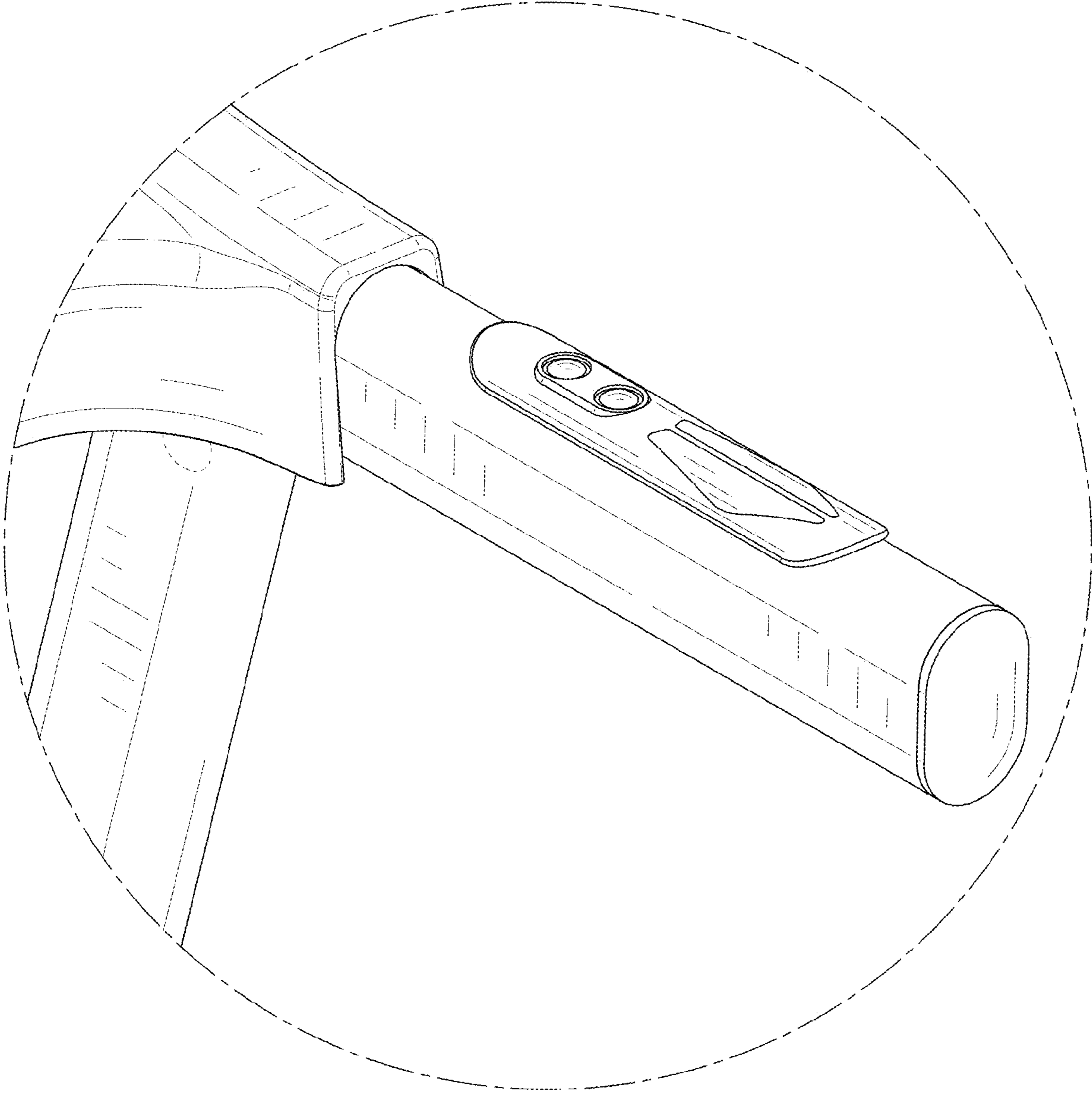


FIG. 9

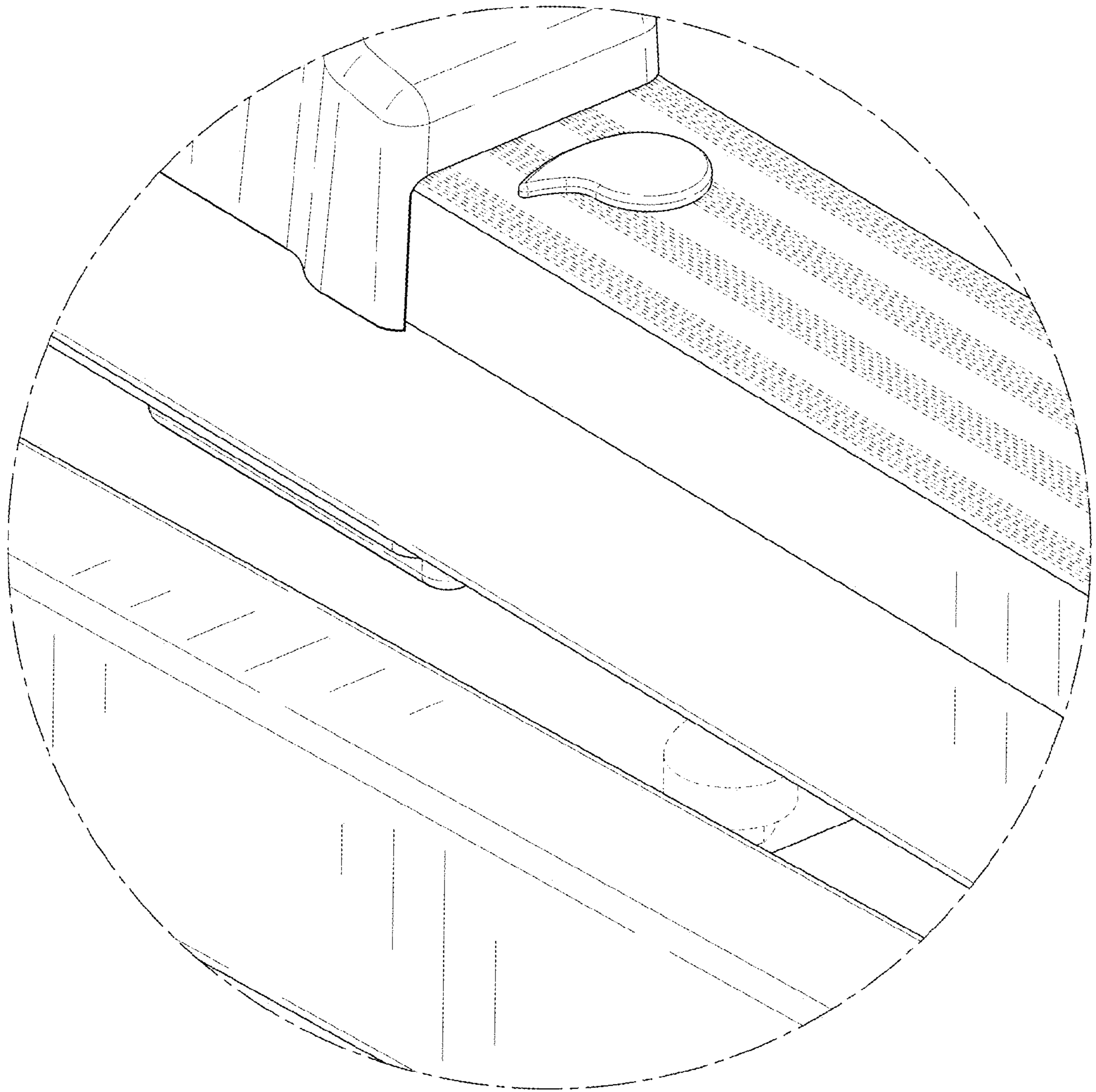


FIG. 10

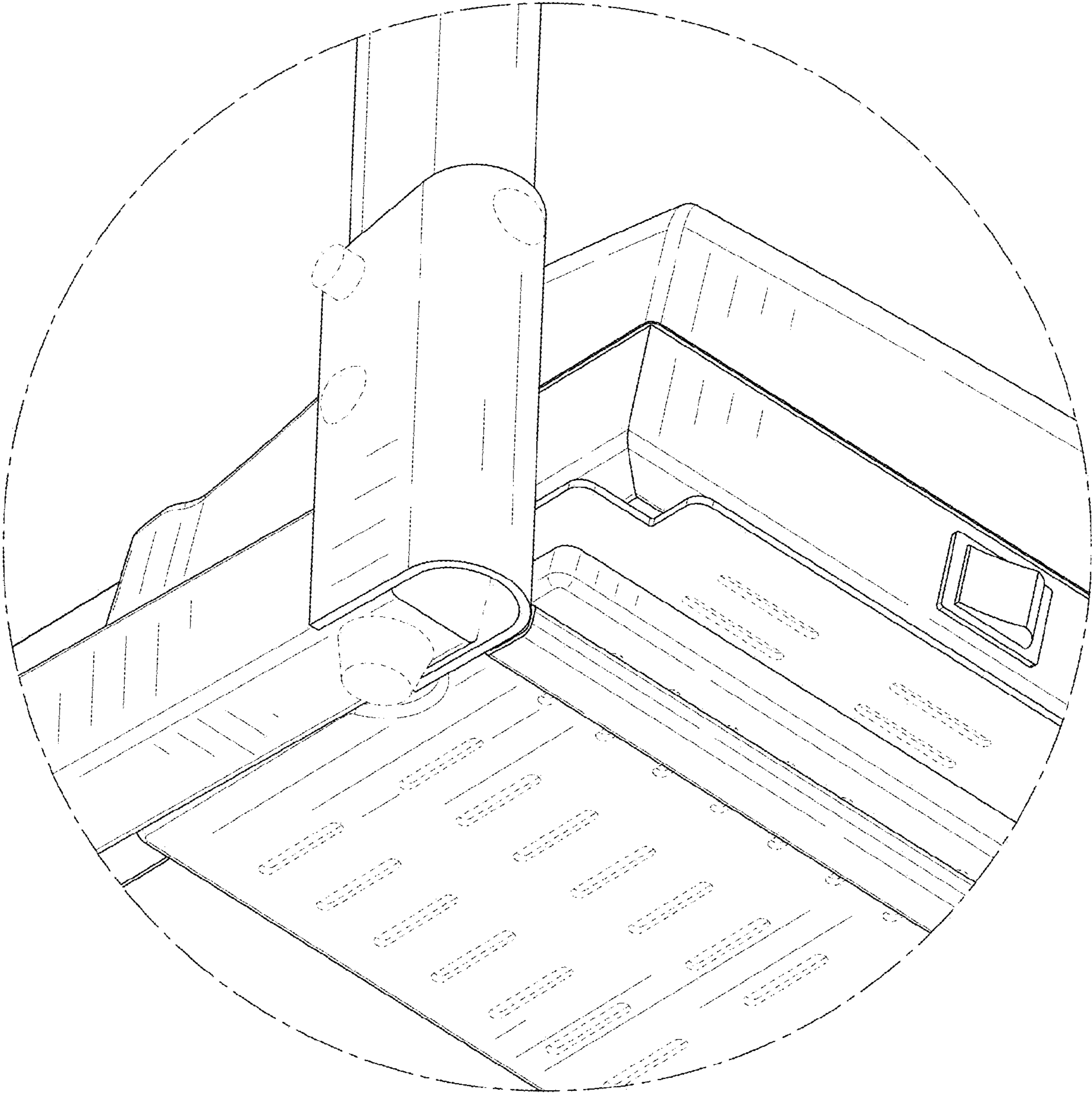


FIG. 11

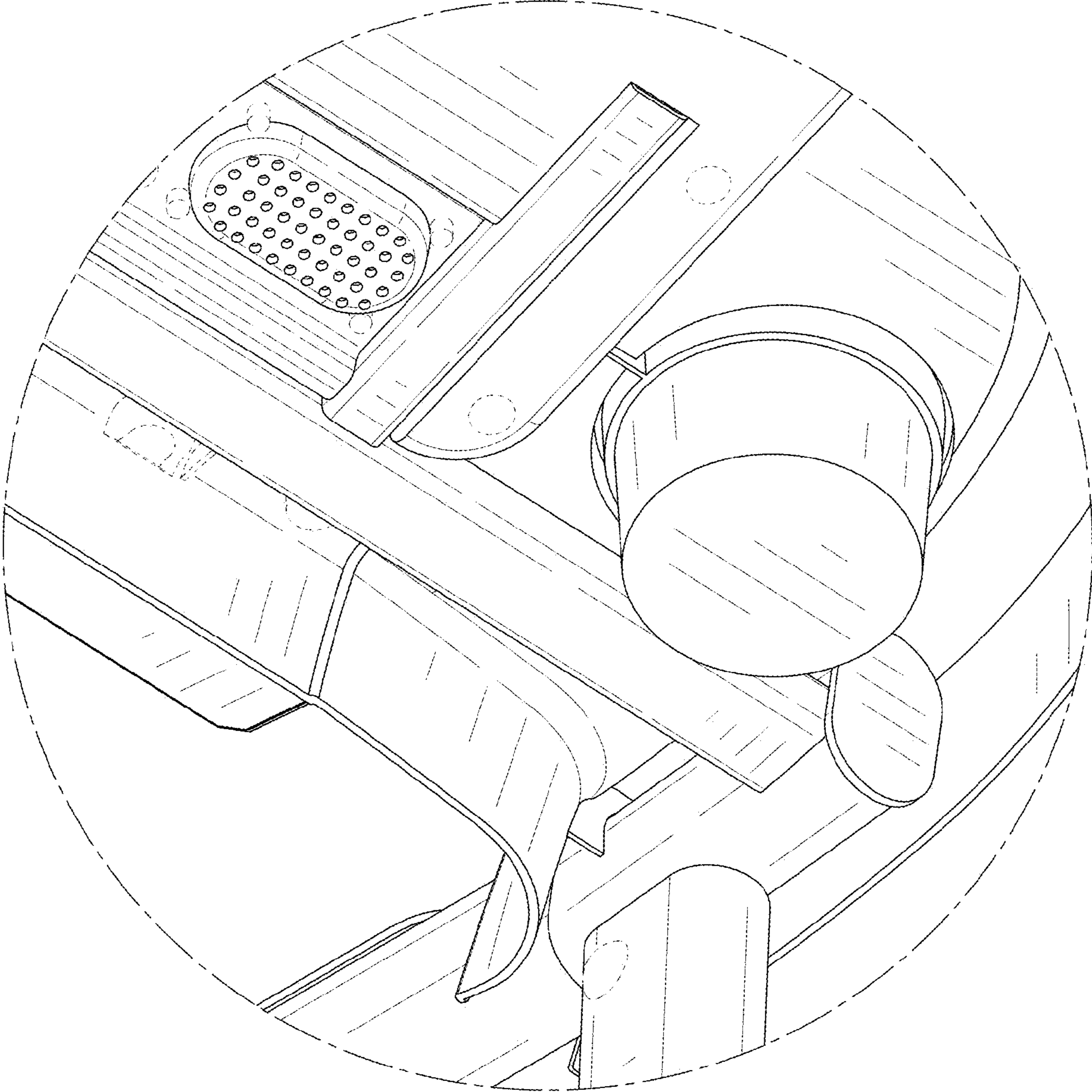


FIG. 12