



US00D975801S

(12) **United States Design Patent**
Liu

(10) **Patent No.:** **US D975,801 S**
(45) **Date of Patent:** **** Jan. 17, 2023**

(54) **WATER GUN**

2203/0331; G01S 13/92; G01S 13/91;
G01S 13/93; G01S 13/931; G01S
2013/932

(71) Applicant: **Shunxiong Liu**, Shantou (CN)

See application file for complete search history.

(72) Inventor: **Shunxiong Liu**, Shantou (CN)

(**) Term: **15 Years**

(56) **References Cited**

(21) Appl. No.: **29/792,856**

U.S. PATENT DOCUMENTS

(22) Filed: **Apr. 27, 2022**

(51) **LOC (14) Cl.** **21-01**

(52) **U.S. Cl.**

USPC **D21/572**; D21/573

(58) **Field of Classification Search**

USPC D21/301, 324–327, 331–333, 385, 401,
D21/567–575; D22/100–108;
D14/412–413, 415–416, 418, 426–428,
D14/430; D10/46, 98

CPC A63H 33/009; A63H 33/28; A63H 33/30;
A63H 33/3072; A63H 33/36; A63H
2200/00; F41C 3/005; F41C 3/06; F41C
3/08; F41C 3/10; F41C 3/12; F41C 3/00;
F41C 3/14; F41C 3/16; F41C 7/00; F41C
7/02; F41C 7/025; F41C 7/04; F41C
7/06; F41C 7/11; F41C 7/12; F41C 9/00;
F41C 27/00; F41C 33/08; F41B 7/08;
F41B 11/89; F41B 5/00; F41B 5/0005;
F41B 5/001; F41B 5/0026; F41B 5/0031;
F41B 5/0052; F41B 5/0073; F41B
5/0094; F41B 5/10; F41B 5/12; F41B
5/123; F41B 5/126; F41B 1/00; F41B
9/00; F41B 9/005; F41B 9/0053; F41B
9/0009; F41B 9/0012; F41B 9/0028;
F41B 9/0031; F41B 9/0078; F41B
9/0081; F41B 9/0096; A63F 13/837;
A63F 13/92; A63F 13/98; A63F 13/00;
A63F 13/20; A63F 13/24; A63F 13/245;
A63F 9/02; A63F 9/0252; A63F
2009/0256; A63F 2009/0265; A63F
2009/026; G06F 3/011; G06F 3/014;
G06F 3/02; G06F 3/0202; G06F

D286,308 S * 10/1986 Mayer D21/573
D429,778 S 8/2000 D'Andrade
D463,509 S 9/2002 Huang
D649,202 S * 11/2011 En D21/573
D687,905 S * 8/2013 Hadley D21/573

(Continued)

FOREIGN PATENT DOCUMENTS

TR 201606747 A2 * 12/2016 F41C 23/16

OTHER PUBLICATIONS

Liu, Shunxiong, CN Design No. 307095811, published at Orbit,
publication date Feb. 1, 2022. Site visited Sep. 22, 2022. Available
from Internet. (Year: 2022).*

(Continued)

Primary Examiner — Kathleen L Jones

(74) *Attorney, Agent, or Firm* — Jeenam Park

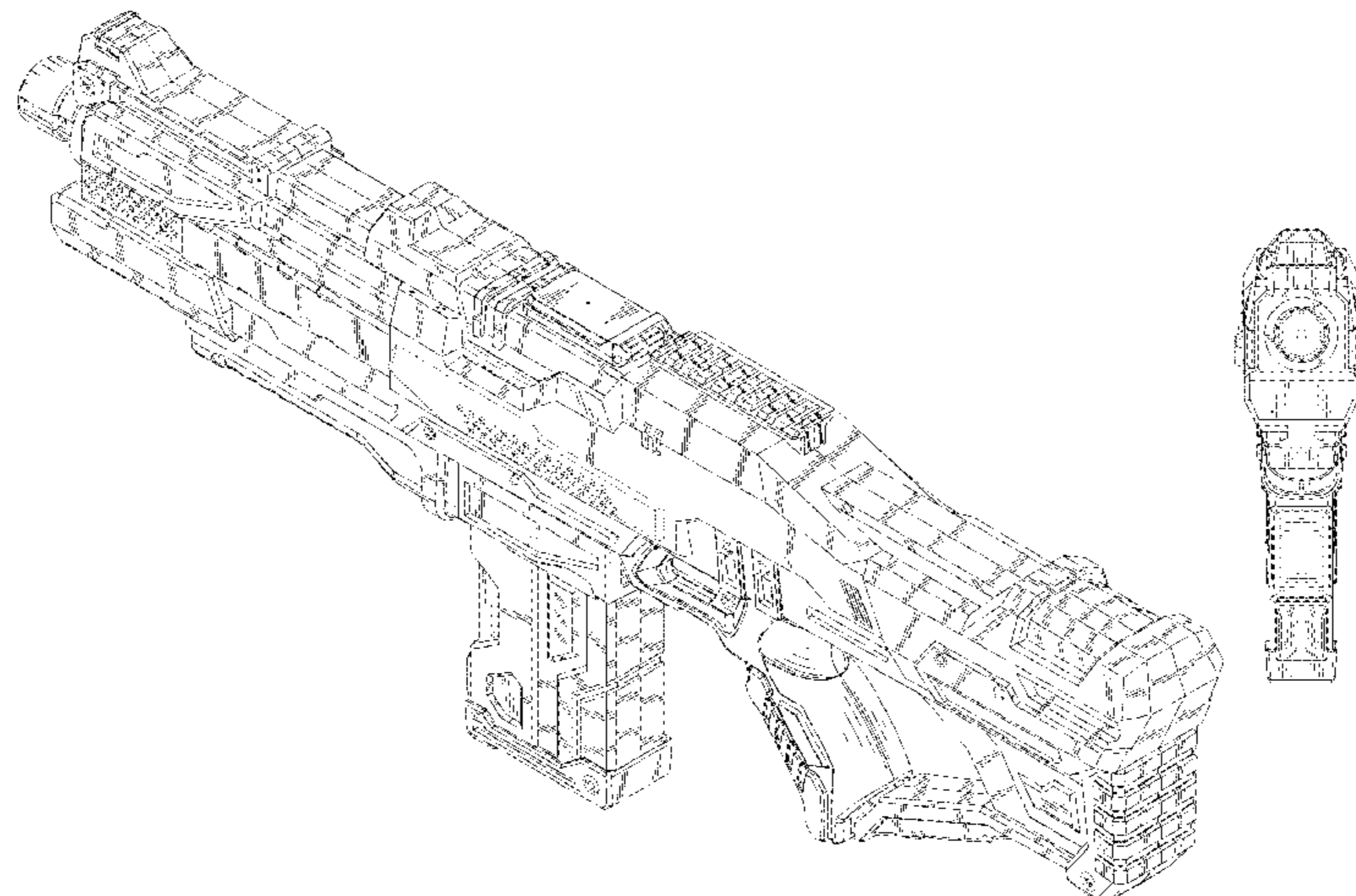
(57) **CLAIM**

The ornamental design for a water gun, as shown and
described.

DESCRIPTION

FIG. 1 is a perspective view of a water gun showing my new
design;
FIG. 2 is a front view thereof;
FIG. 3 is a rear view thereof;
FIG. 4 is a left side view thereof;
FIG. 5 is a right side view thereof;
FIG. 6 is a top plan view thereof; and,
FIG. 7 is a bottom plan view thereof.

(Continued)



The dashed broken lines in the figures depict portions of the water gun that form no part of the claimed design.

1 Claim, 7 Drawing Sheets

(56)

References Cited

U.S. PATENT DOCUMENTS

D723,128	S	*	2/2015	Hu	D22/103
D729,880	S	*	5/2015	Nichols	D21/573
D733,223	S	*	6/2015	Chu	D21/573
9,115,954	B1	*	8/2015	Corsi	F41A 21/06
D745,103	S	*	12/2015	Corsi	D22/103
D766,381	S	*	9/2016	Crye	D21/573
D769,394	S	*	10/2016	Young	D22/103
D775,298	S	*	12/2016	Barnett	D22/107
D779,012	S	*	2/2017	Abbott	D22/103
D814,591	S	*	4/2018	Koçgür	D22/103
D842,390	S	*	3/2019	Iwasawa	D21/573
D855,138	S	*	7/2019	Cheng	D22/108
10,495,405	B1	*	12/2019	Ma	F41B 7/08
D917,648	S	*	4/2021	Muska	D22/103
D926,277	S	*	7/2021	Muska	D22/103
D926,279	S	*	7/2021	Muska	D22/103
D966,431	S	*	10/2022	Pisor	D21/573
2014/0165983	A1	*	6/2014	Busse	F41B 11/89
						124/66

OTHER PUBLICATIONS

Guo, Xinke, CN Design No. 306900958, published at Orbit, publication date Oct. 26, 2021. Site visited Sep. 22, 2022. Available from Internet. (Year: 2021).*

Coolfox, Electric Water Gun, published at Amazon, review posting date Jun. 19, 2022. Site visited Sep. 22, 2022. URL: <<https://www.amazon.com/Electric-Capacity-Automatic-Blaster-Swimming/dp/B0B4ZCKNBW?th=1>> (Year: 2022).*

UnlockX Store, UnlocX Gel Ball Blaster Kit, published at Amazon, review posting date Mar. 30, 2022. Site visited Sep. 22, 2022. URL: <<https://www.amazon.com/UnlocX-Gel-Ball-Blaster-Biodegradable/dp/B09GLXC68C/>> (Year: 2022).*

Pixata, Electric Water Gun, posted at Amazon, review posting date Mar. 14, 2022, site visited Sep. 22, 2022. URL: <<https://www.amazon.com/Electric-Automatic-Adults-Blaster-Capacity/product-reviews/B0B76J7H8J/>> (Year: 2022).*

Spyra, Spyra—SpyraTwo WaterBlaster, posted at Amazon, review posting date Feb. 26, 2022. Site visited Sep. 22, 2022. URL: <<https://www.amazon.com/SPYRA-Worlds-Strongest-SpyraTwo-Single/dp/B09GYTD6R1?th=1>> (Year: 2022).*

Coop772, Nerf Elite 2.0 Turbine CS-18, posted at YouTube, posting date Aug. 22, 2020. site visited Sep. 23, 2022. URL: <https://www.youtube.com/watch?v=ySE-8bu_ffA> (Year: 2020).*

* cited by examiner

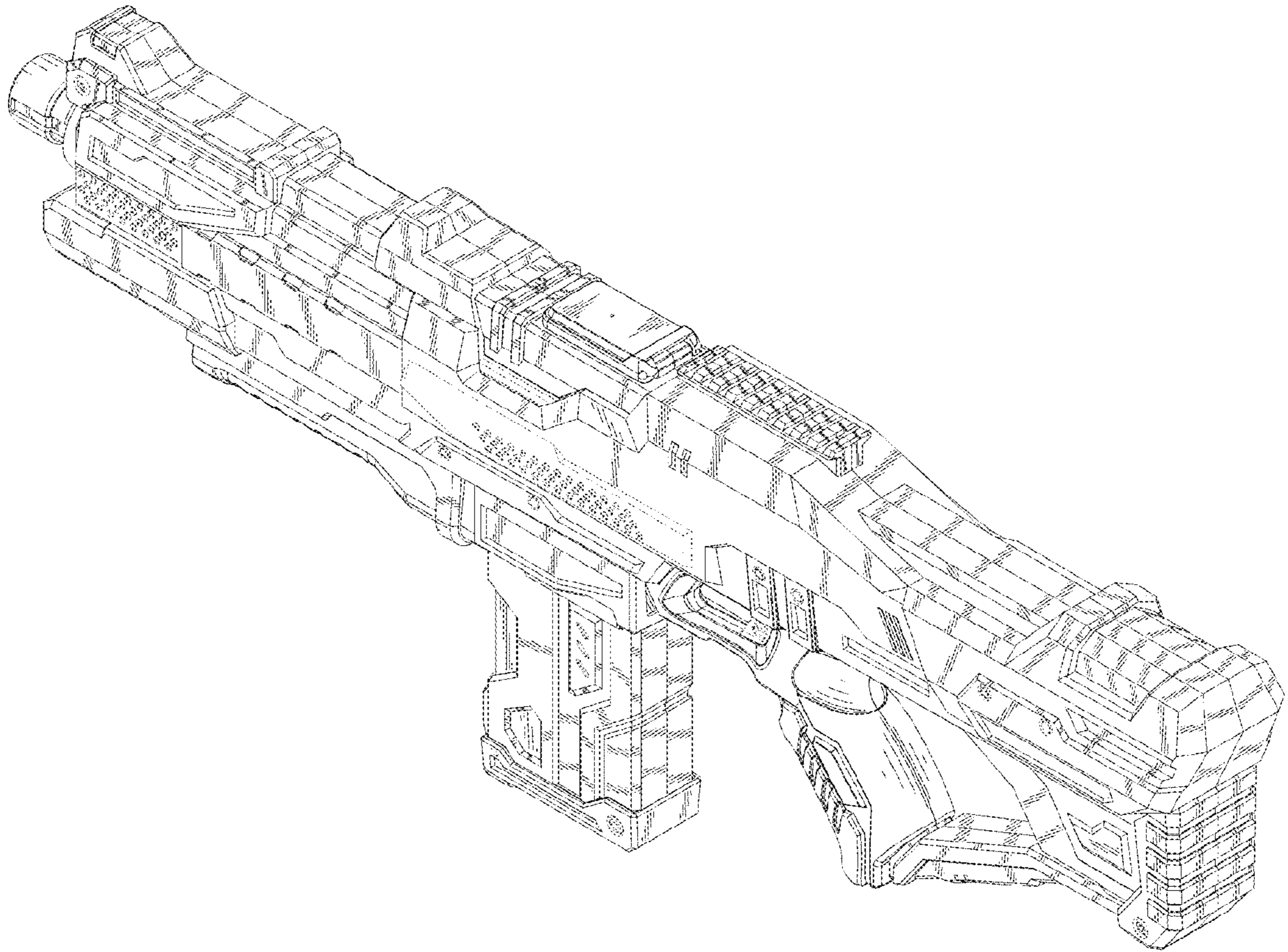


FIG. 1

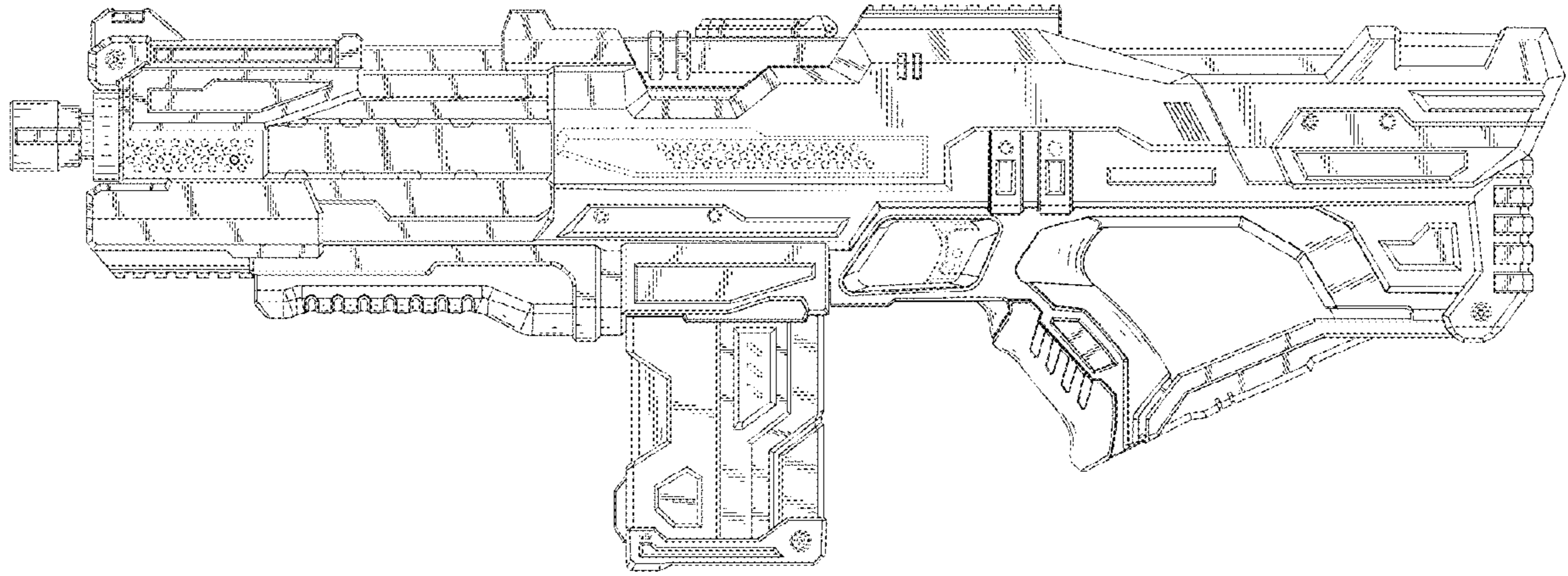


FIG. 2

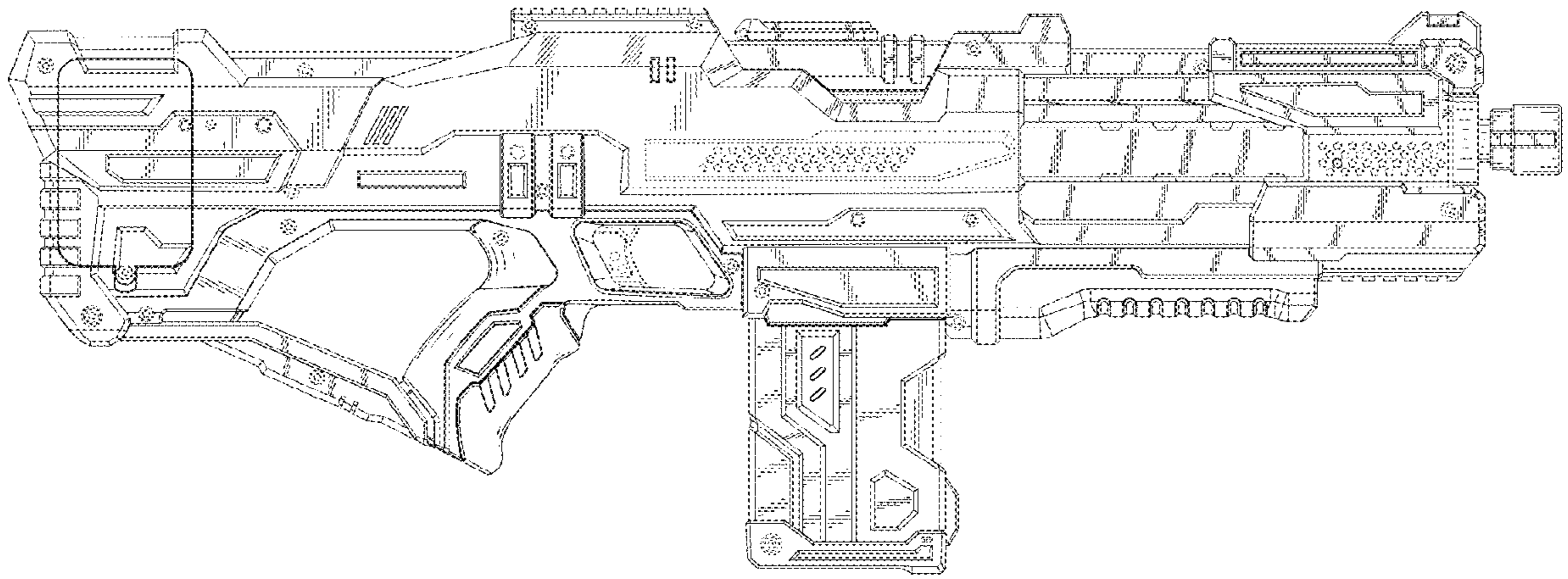


FIG. 3

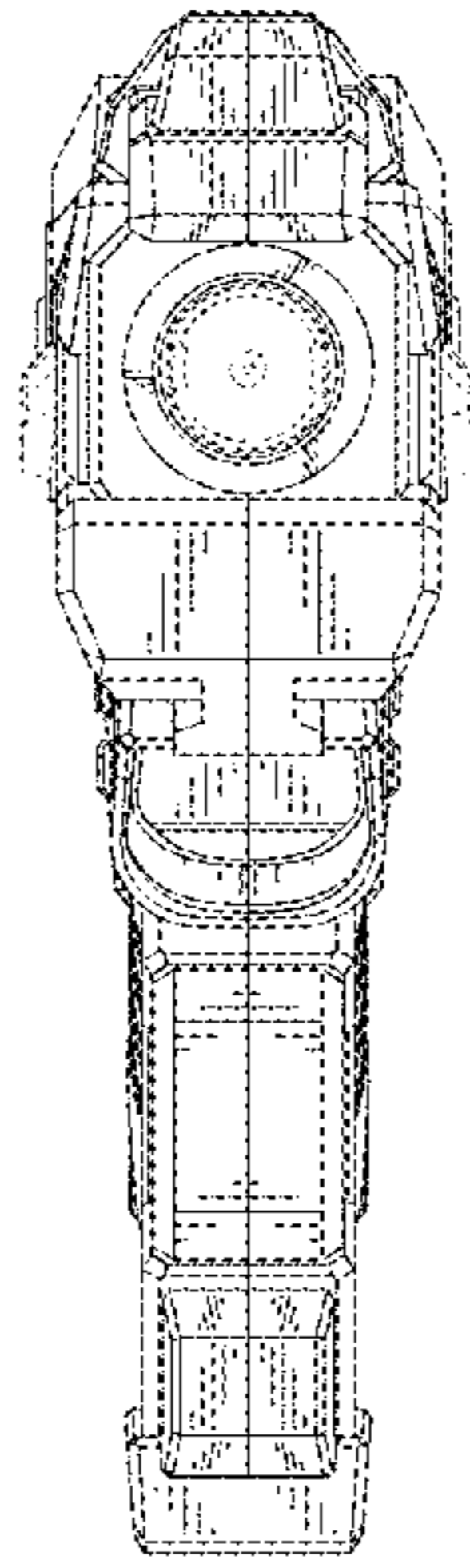


FIG. 4

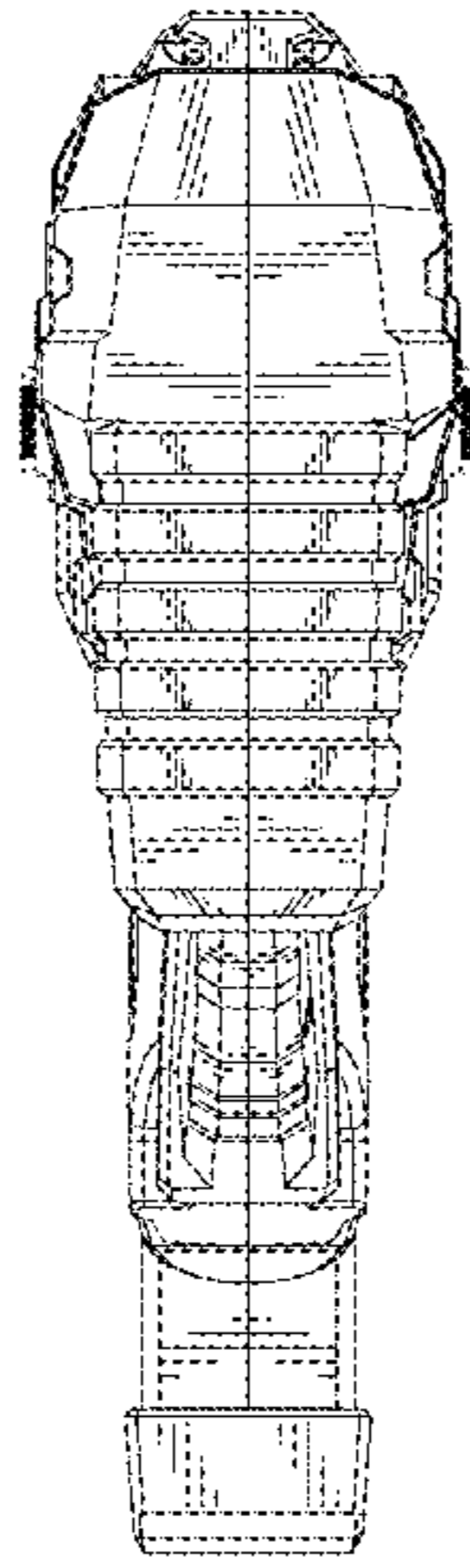


FIG. 5

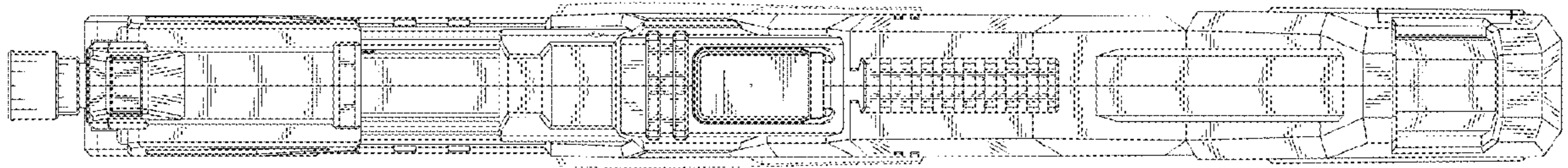


FIG. 6

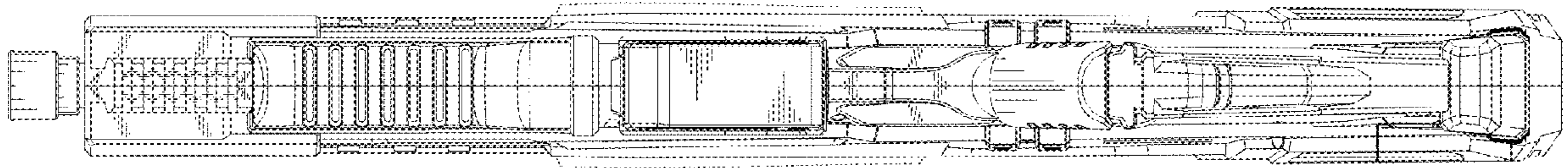


FIG. 7