



US00D975798S

(12) **United States Design Patent**  
**Aquino et al.**

(10) **Patent No.:** **US D975,798 S**  
(45) **Date of Patent:** **\*\* Jan. 17, 2023**

(54) **TOY VEHICLE**

(71) Applicant: **UNIQUE PLANING PROFESIONAL S.A. DE C.V.**, Mexico City (MX)

(72) Inventors: **Edgar Kevin García Aquino**, Morelos (MX); **Rodrigo Alatorre Mateos**, Morelos (MX)

(\*\*) Term: **15 Years**

(21) Appl. No.: **35/512,421**

(22) Filed: **Feb. 24, 2021**

(80) **Hague Agreement Data**

Int. Filing Date: **Feb. 24, 2021**  
Int. Reg. No.: **DM/214216**  
Int. Reg. Date: **Feb. 24, 2021**  
Int. Reg. Pub. Date: **Aug. 27, 2021**

(51) **LOC (14) Cl.** ..... **21-01**

(52) **U.S. Cl.**  
USPC ..... **D21/550**

(58) **Field of Classification Search**  
USPC ..... D21/433, 533, 548, 549, 550, 560, 561  
CPC ..... A63H 17/00; A63H 17/004  
See application file for complete search history.

(56) **References Cited**

**U.S. PATENT DOCUMENTS**

D311,882 S \* 11/1990 Furst ..... D21/549  
D313,255 S \* 12/1990 Honma ..... D21/550  
D313,256 S \* 12/1990 Honma ..... D21/550  
D313,257 S \* 12/1990 Tsuchiya ..... D21/550  
D316,731 S \* 5/1991 Tsuchiya ..... D21/550

D317,024 S \* 5/1991 Yajima ..... D21/550  
D317,485 S \* 6/1991 Mochizuki ..... D21/550  
D318,081 S \* 7/1991 Yoshino ..... D21/550  
D318,888 S \* 8/1991 Yoshino ..... D21/550  
D941,932 S \* 1/2022 Yang ..... D21/550  
D944,899 S \* 3/2022 Weng ..... D21/533  
D952,051 S \* 5/2022 Xu ..... D21/550  
D952,052 S \* 5/2022 Xu ..... D21/550  
D952,760 S \* 5/2022 Wang ..... D21/533  
2009/0142987 A1 \* 6/2009 Nagasu ..... A63H 30/04  
446/456  
2011/0177754 A1 \* 7/2011 Nakayama ..... A63H 17/262  
446/465

\* cited by examiner

*Primary Examiner* — Cynthia M. Chin

(57) **CLAIM**

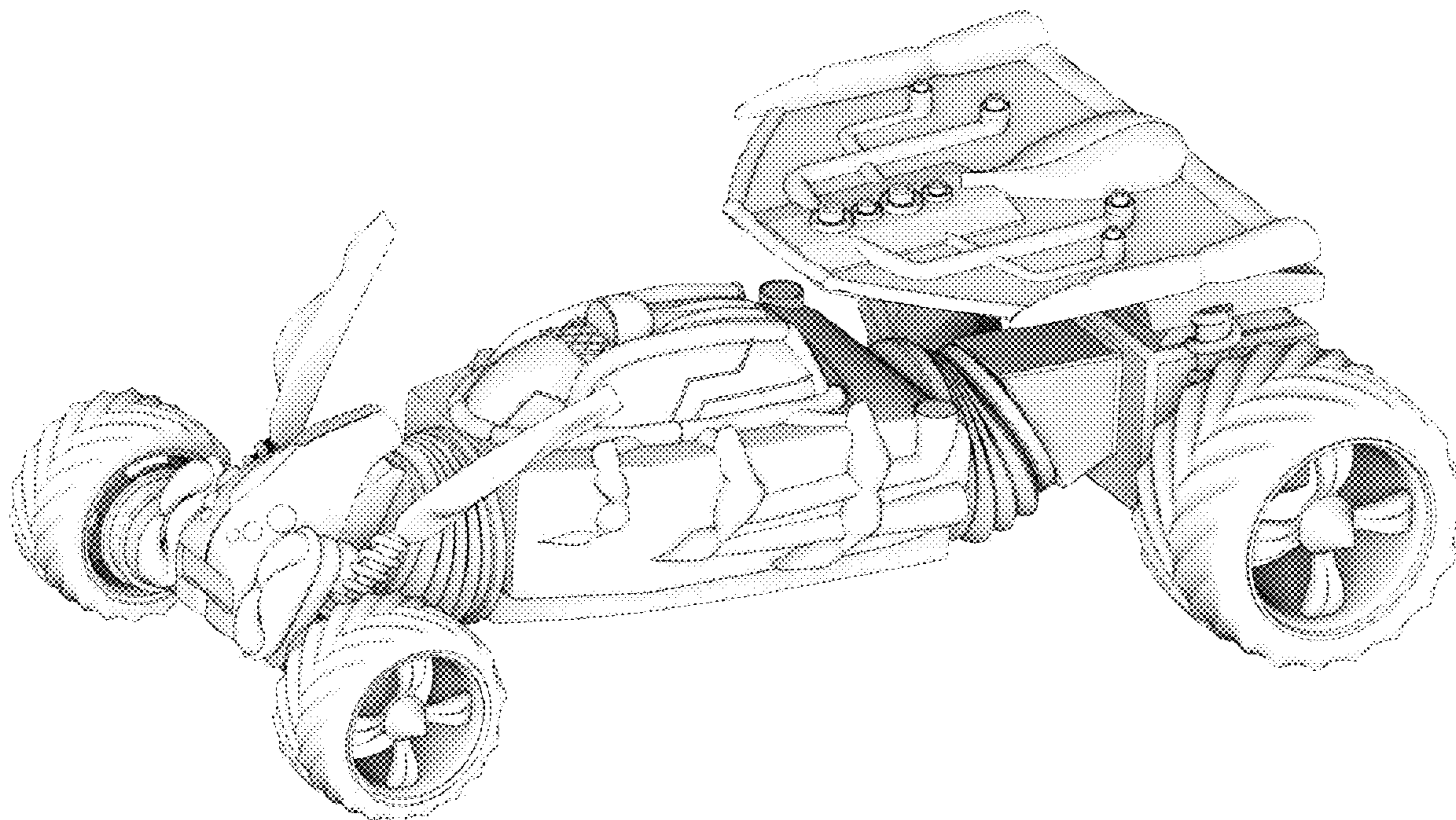
The ornamental design for a toy vehicle, as shown and described.

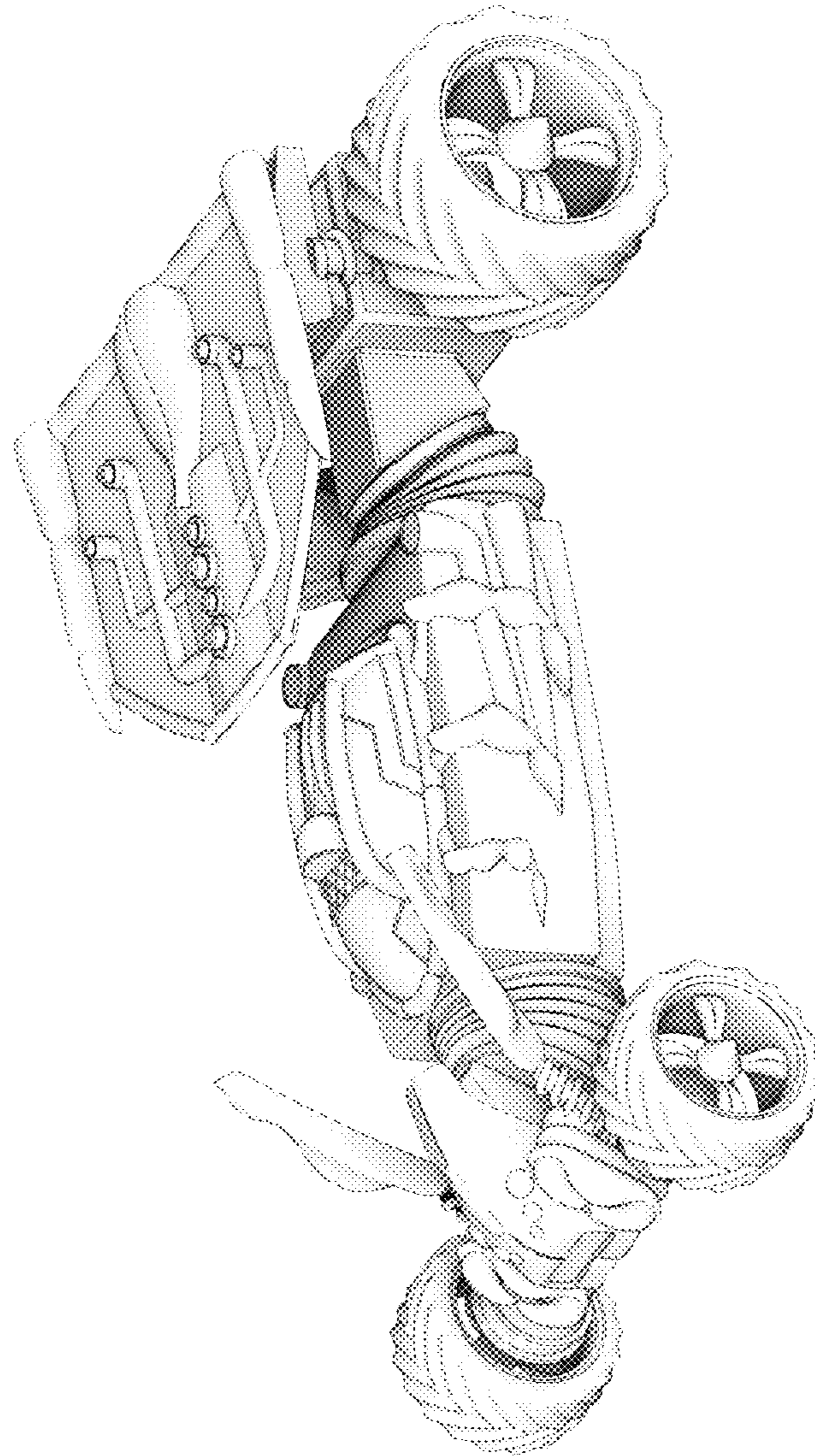
**DESCRIPTION**

- 1. Toy vehicle
- 1.1 : Perspective
- 1.2 : Front
- 1.3 : Right
- 1.4 : Back
- 1.5 : Left
- 1.6 : Top
- 1.7 : Bottom

The industrial design consists in a toy vehicle, totally different from those already known, characterized by its special shape and ornamentation that give it a peculiar and unique appearance; the toy vehicle is illustrated in the accompanying figures.

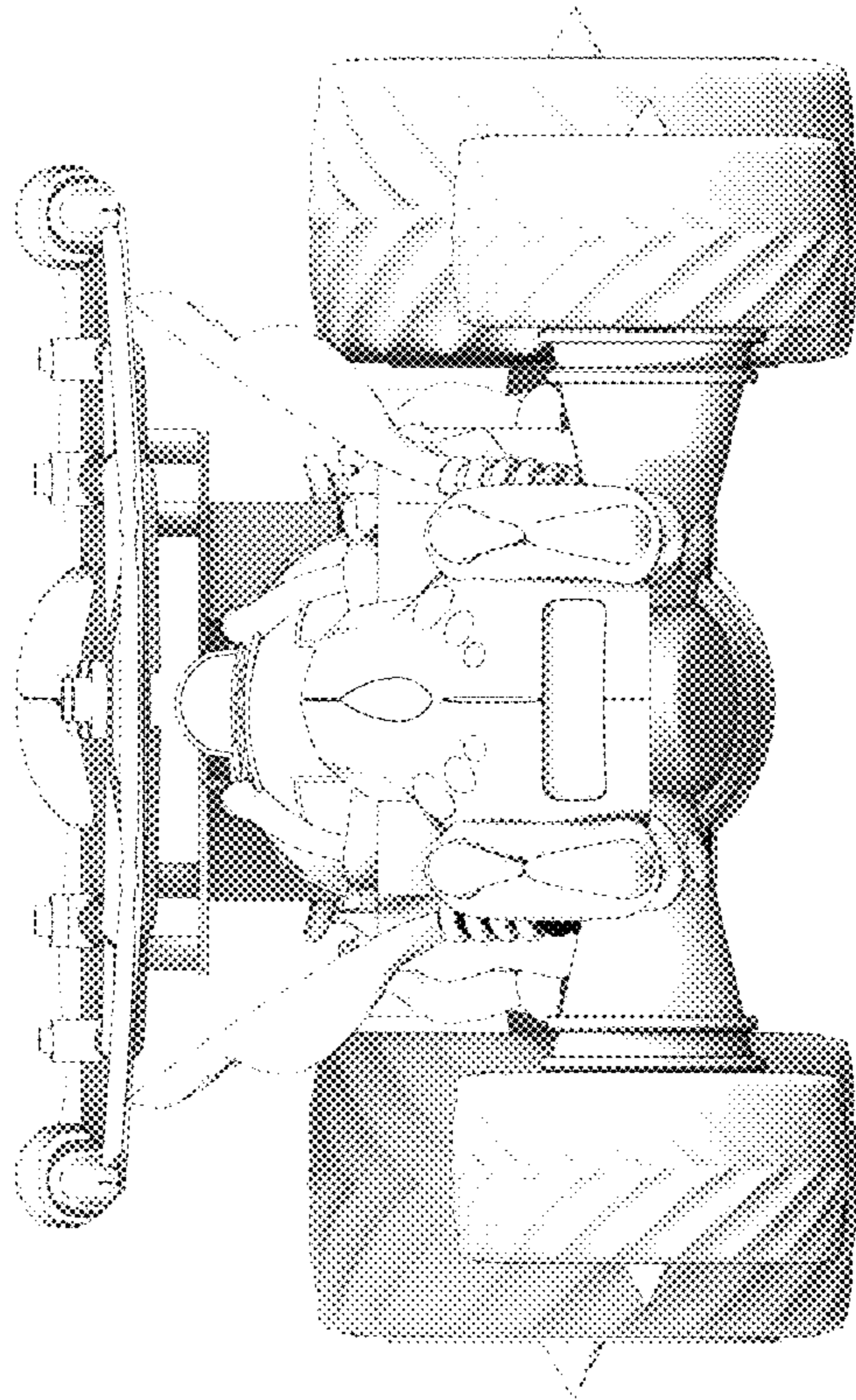
**1 Claim, 7 Drawing Sheets**



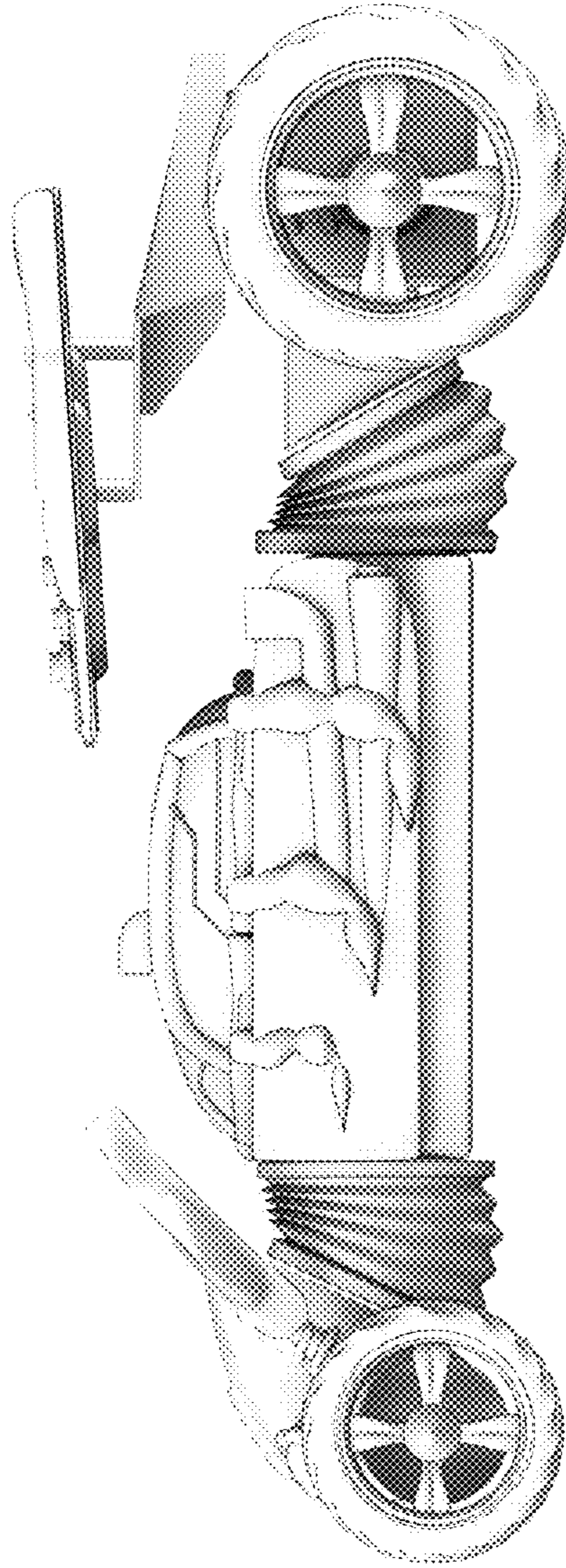


1.1

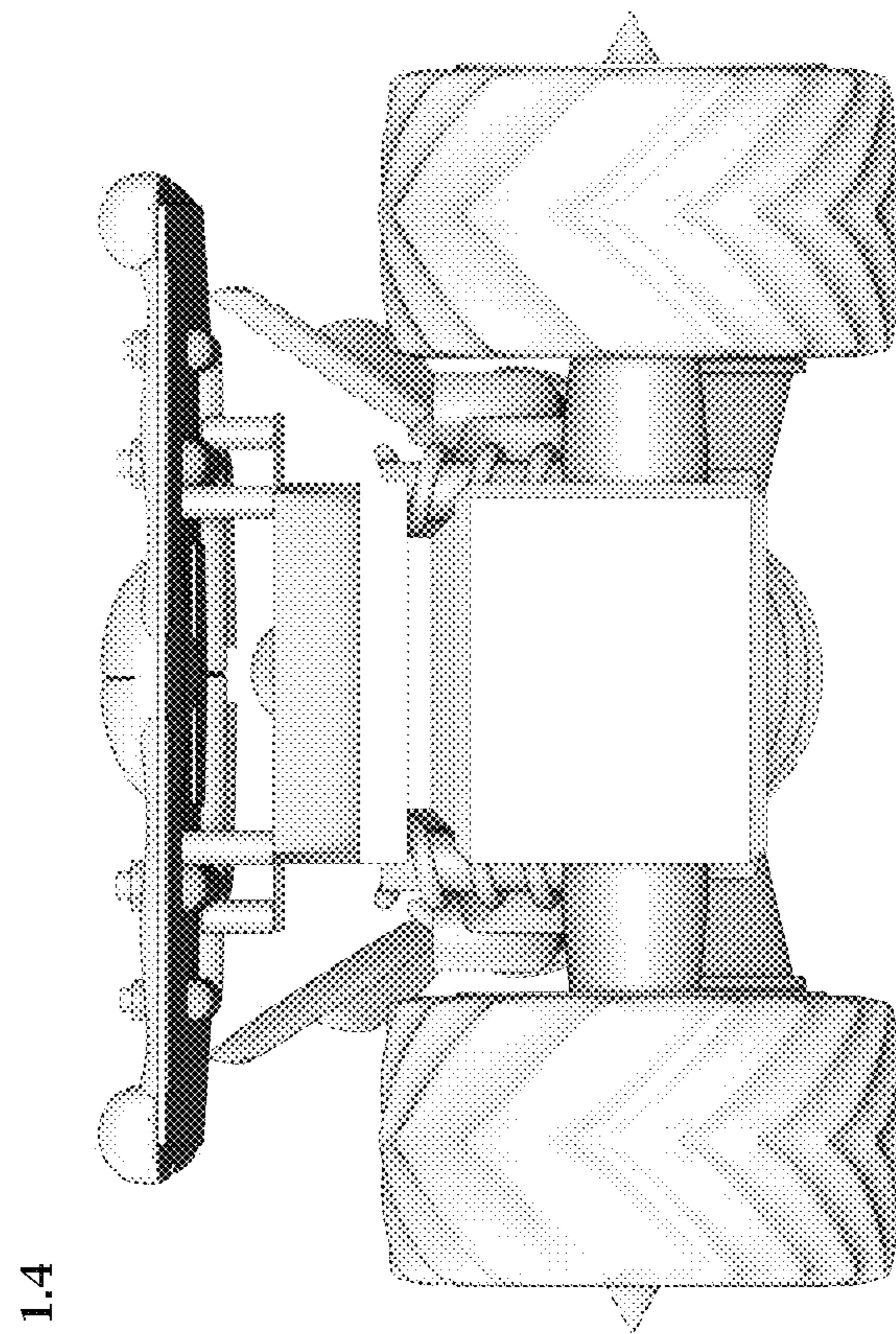




1.2

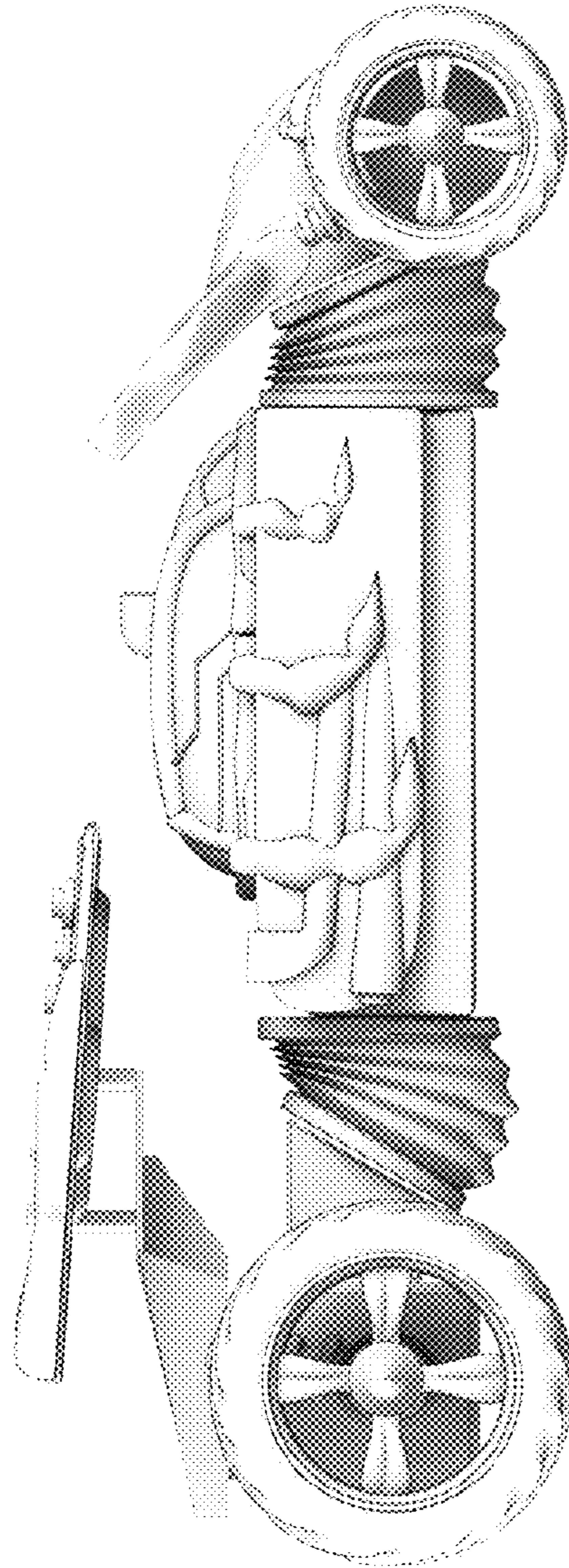


1.3



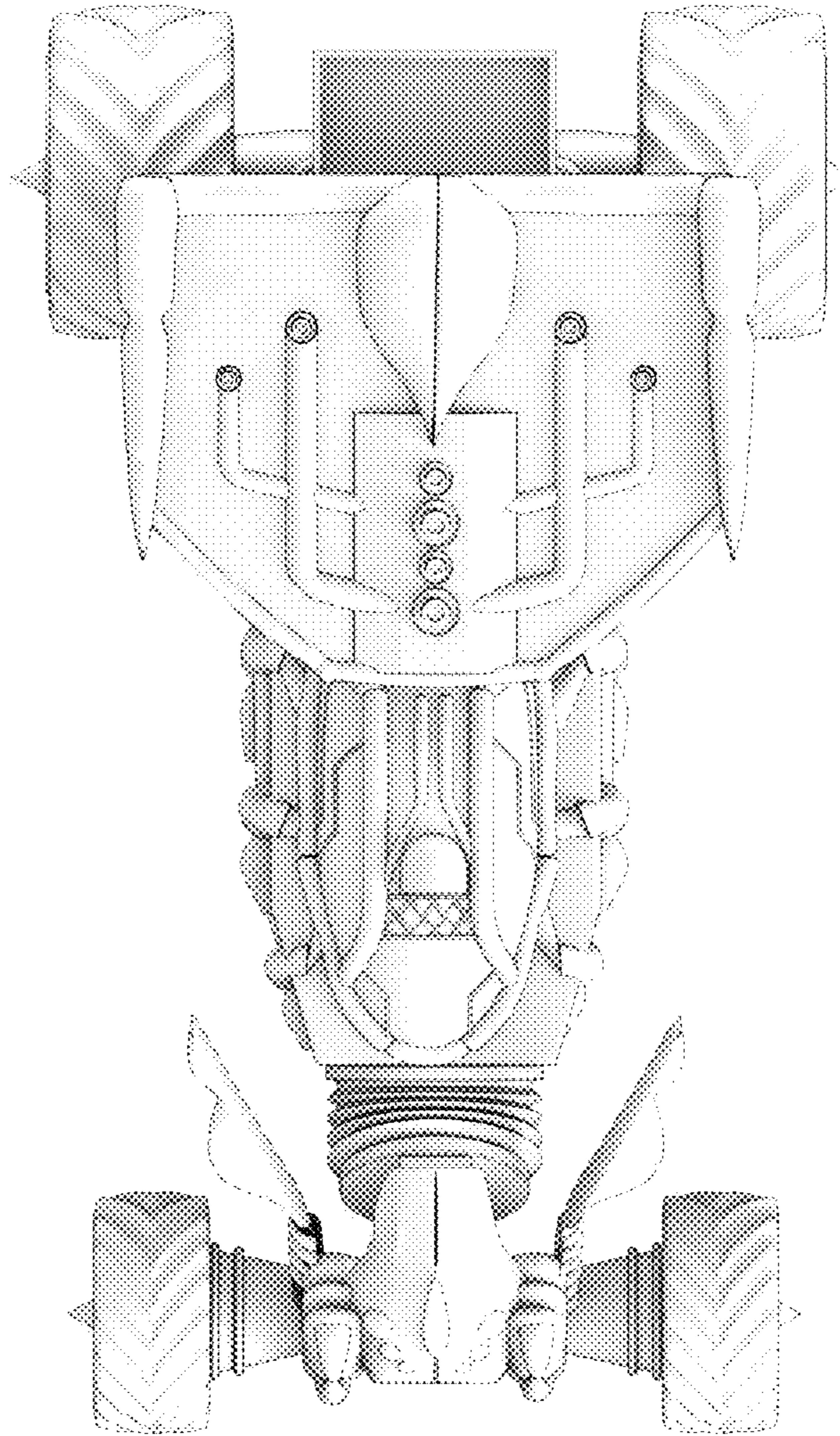
1.4





1.5

1.6



1.7

