



US00D975797S

(12) **United States Design Patent** (10) **Patent No.:** **US D975,797 S**
Landini (45) **Date of Patent:** **** Jan. 17, 2023**

(54) **CAR, TOY REPLICA, AND/OR OTHER REPLICAS**

(71) Applicant: **MASERATI S.P.A.**, Modena (IT)

(72) Inventor: **Federico Landini**, Bologna (IT)

(73) Assignee: **MASERATI S.P.A.**, Modena (IT)

(**) Term: **15 Years**

(21) Appl. No.: **29/738,637**

(22) Filed: **Jun. 18, 2020**

(30) **Foreign Application Priority Data**

Dec. 19, 2019 (WO) WIPO90498

Dec. 19, 2019 (WO) WIPO90509

(51) **LOC (14) Cl.** **21-01**

(52) **U.S. Cl.**
USPC **D21/548**; D12/88; D12/92

(58) **Field of Classification Search**
USPC D21/533, 548, 552, 424, 433, 434, 550;
D12/82, 83, 86, 88, 90, 91, 92
CPC B62D 25/00; B62D 25/06; B62D 33/00;
B62D 35/00; A63H 17/00; A63H 17/05;
B60Y 2200/24

See application file for complete search history.

(56) **References Cited**

U.S. PATENT DOCUMENTS

D411,138 S * 6/1999 Ramaciotti D12/92
D521,904 S * 5/2006 Moruzzi D12/92
D617,683 S * 6/2010 Beneggi D12/92
D628,124 S * 11/2010 Stephenson D12/92
D692,800 S * 11/2013 Wiltshire D12/92
D701,146 S * 3/2014 Varga D12/92
D718,667 S * 12/2014 Manzoni D12/92
D741,228 S * 10/2015 Curic D12/92
D780,063 S * 2/2017 Stephenson D12/88
D797,607 S * 9/2017 Preuninger D12/92

D814,976 S * 4/2018 Behmer D12/92
D820,164 S * 6/2018 Nurnberger D12/92
D830,901 S * 10/2018 Manzoni D12/88
D830,902 S * 10/2018 Manzoni D12/88
D834,998 S * 12/2018 Manzoni D12/88
D835,005 S * 12/2018 Behmer D12/92

(Continued)

FOREIGN PATENT DOCUMENTS

CN 303533225 * 12/2015
CN 304963177 * 12/2018

(Continued)

OTHER PUBLICATIONS

Meet The 2021 Maserati MC20 Supercar, available on YouTube.com, date posted Sep. 8, 2020, [site visited Dec. 10, 2021], URL: <https://www.youtube.com/watch?v=lhWfYCN27IA> (Year: 2020).*

(Continued)

Primary Examiner — Dana K Weiland

Assistant Examiner — Emily Anna Saunders

(74) *Attorney, Agent, or Firm* — Armstrong Teasdale LLP

(57) **CLAIM**

I claim the ornamental design for a car, toy replica, and/or other replicas, as shown and described.

DESCRIPTION

FIG. 1 is a perspective view of a car, toy replica, and/or other replicas in accordance with the new design.

FIG. 2 is a front view thereof.

FIG. 3 is a rear view thereof.

FIG. 4 is left side view thereof.

FIG. 5 is a right side view thereof.

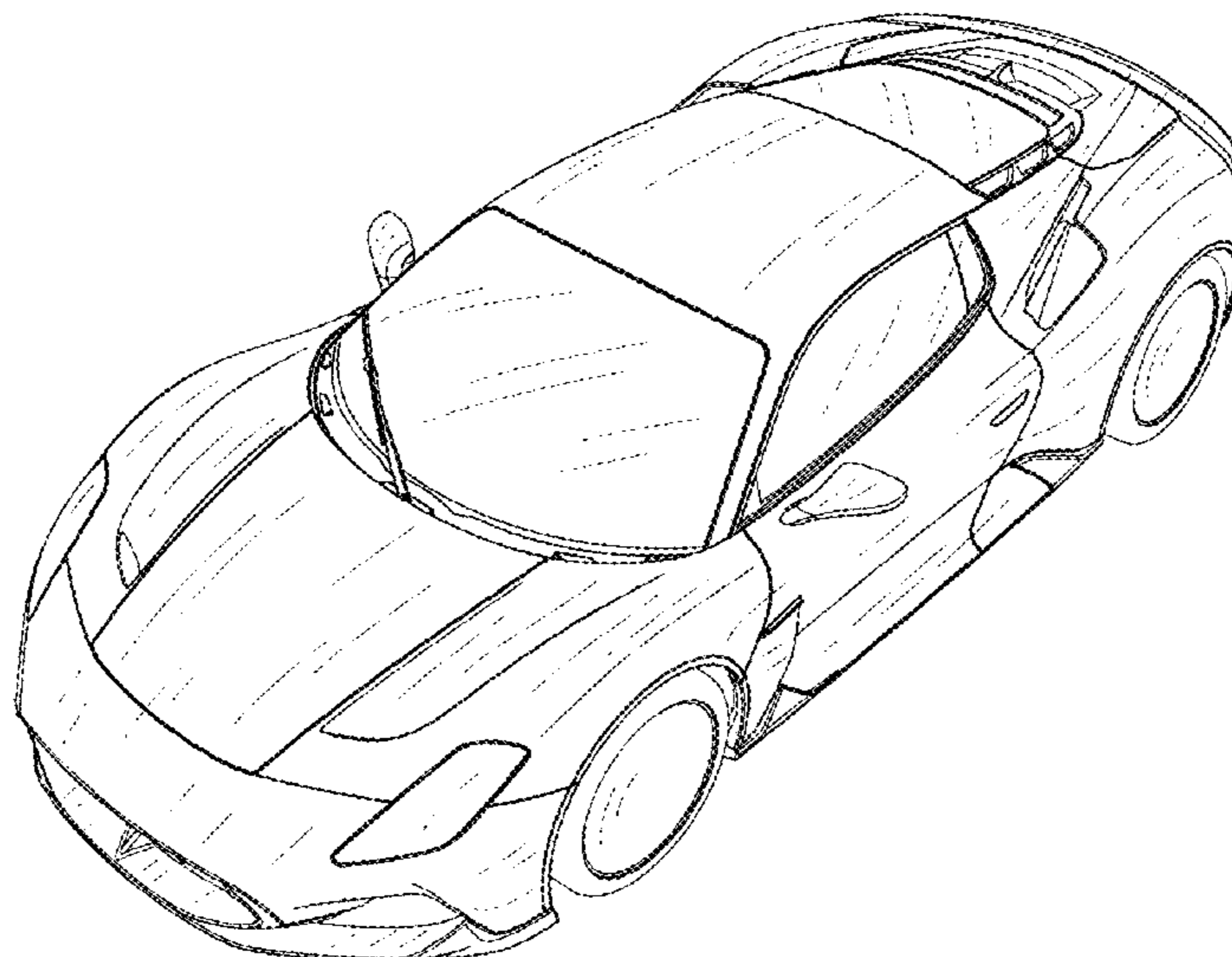
FIG. 6 is a top view thereof.

FIG. 7 is a bottom view thereof; and,

FIG. 8 is another perspective view thereof.

The broken lines in FIGS. 2-5 and 7 depict portions of the car, toy replica, and/or other replicas that form no part of the claimed design.

1 Claim, 8 Drawing Sheets



(56)

References Cited

U.S. PATENT DOCUMENTS

D860,861	S	*	9/2019	Manzoni	D12/88
D863,104	S	*	10/2019	Bennion	D12/88
D871,969	S	*	1/2020	Selipanov	D12/88
D899,304	S	*	10/2020	Palazzo	D12/88
D918,312	S	*	5/2021	Manzoni	D21/548
D918,775	S	*	5/2021	Frank	D12/92
D927,359	S	*	8/2021	Manzoni	D12/92
D928,663	S	*	8/2021	Manzoni	D12/92
D928,891	S	*	8/2021	Manzoni	D21/548
D940,590	S	*	1/2022	Scriven	D12/88
D942,315	S	*	2/2022	Cattabriga	D11/163
D942,327	S	*	2/2022	Crijns	D12/88
D944,685	S	*	3/2022	Murray	D12/88
D945,924	S	*	3/2022	Borkert	D12/88
D949,053	S	*	4/2022	Cattell-Ford	D12/92
D949,737	S	*	4/2022	Biancalana	D12/86
D949,738	S	*	4/2022	Biancalana	D12/86
D951,139	S	*	5/2022	Manzoni	D12/88

FOREIGN PATENT DOCUMENTS

IL	65150	*	1/2021
IL	65151	*	4/2021
JP	D1674561	*	12/2020
JP	D1692101	*	8/2021
RU	00072675	*	10/2009

OTHER PUBLICATIONS

How Maserati Made the MC20 Worthy of a Rocketing Supercar Comeback, available on thedrive.com, published Sep. 11, 2020,

[site visited Dec. 10, 2021], URL: <https://www.thedrive.com/news/36339/how-maserati-made-the-mc20-worthy-of-a-rocketing-supercar-comeback> (Year: 2020).*

Maserati MC20 is a New Italian Supercar, available on 6thgearautomotive.com, published Oct. 11, 2020, [site visited Dec. 10, 2021], URL: <https://www.6thgearautomotive.com/2020/10/11/maserati-mc20-is-a-new-italian-supercar-with-brembo-brakes/> (Year: 2020).*

Maserati MC20 2021 3D Model, available on free3d.com, date added Dec. 1, 2020, [site visited Dec. 10, 2021], URL: <https://free3d.com/3d-model/maserati-mc20-2021-9761.html> (Year: 2020).*

Maserati MC20 Gets An Aftermarket Body Kit, available on carsradars.com, published Apr. 6, 2021, [site visited Dec. 10, 2021], URL: <https://carsradars.com/tuning-technology/maserati-mc20-gets-an-aftermarket-body-kit-before-it-even-goes-on-sale/> (Year: 2021).*

Klaus Busse and Centro Stile Maserati debut the new refined aerodynamic 2021 Maserati MC20, available on globaldesignnews.com, published May 25, 2021, [site visited Dec. 10, 2021], URL: <https://globaldesignnews.com/klaus-busse-and-centro-stile-maserati-debuts-the-new-refined-aerodynamic-2021-maserati-mc20/> (Year: 2021).*

2021 Maserati MC20—maserati mc20 walkaround, available on YouTube.com, date posted Sep. 9, 2021, [site visited Dec. 10, 2021], URL: https://www.youtube.com/watch?v=ZmAUXDz_1-0 (Year: 2021).*

Maserati MC20 2021 Review @ carsales.com.au, available on YouTube.com, posted Dec. 2, 2021, [site visited Dec. 10, 2021], URL: <https://www.youtube.com/watch?v=hCByQ51oRuY> (Year: 2021).*

* cited by examiner

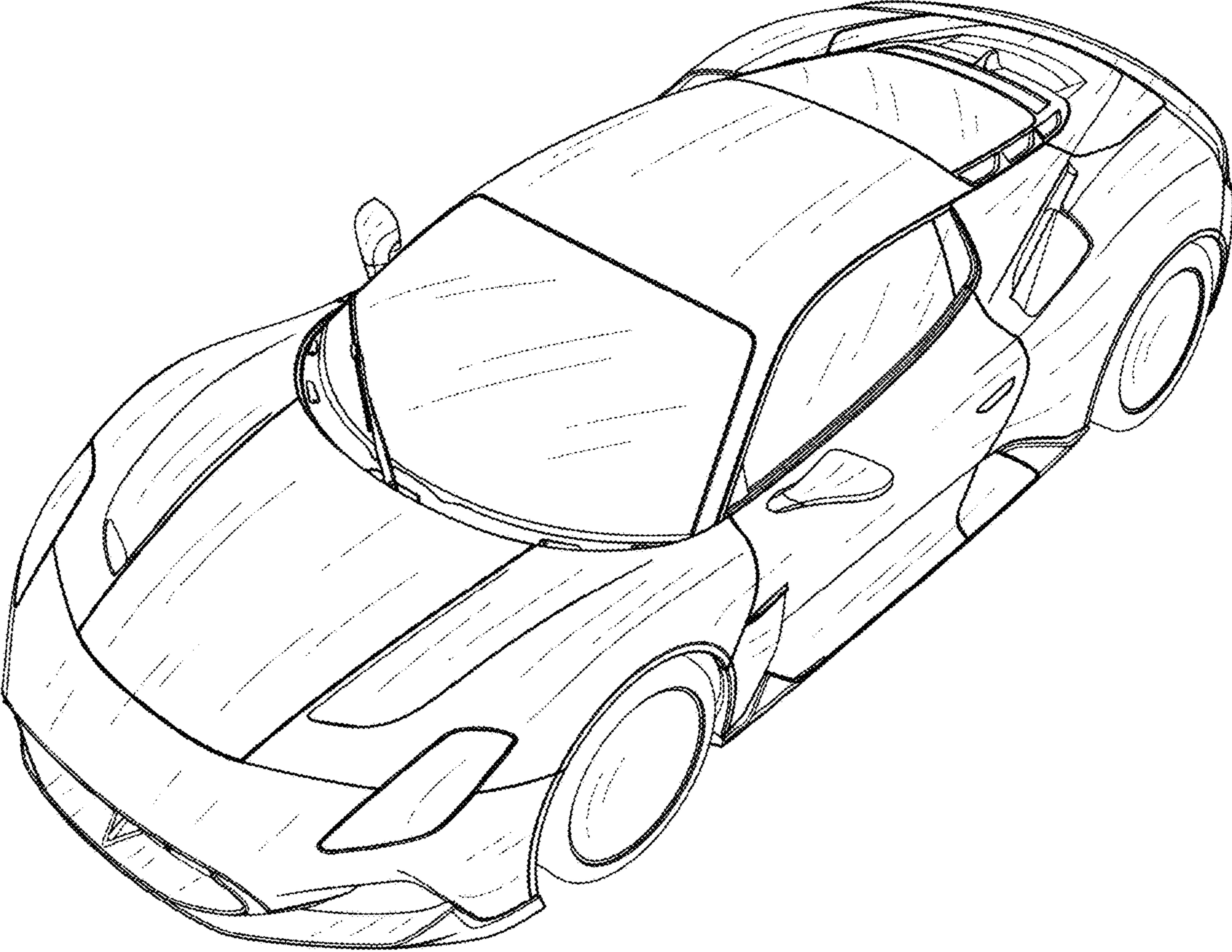


FIG. 1

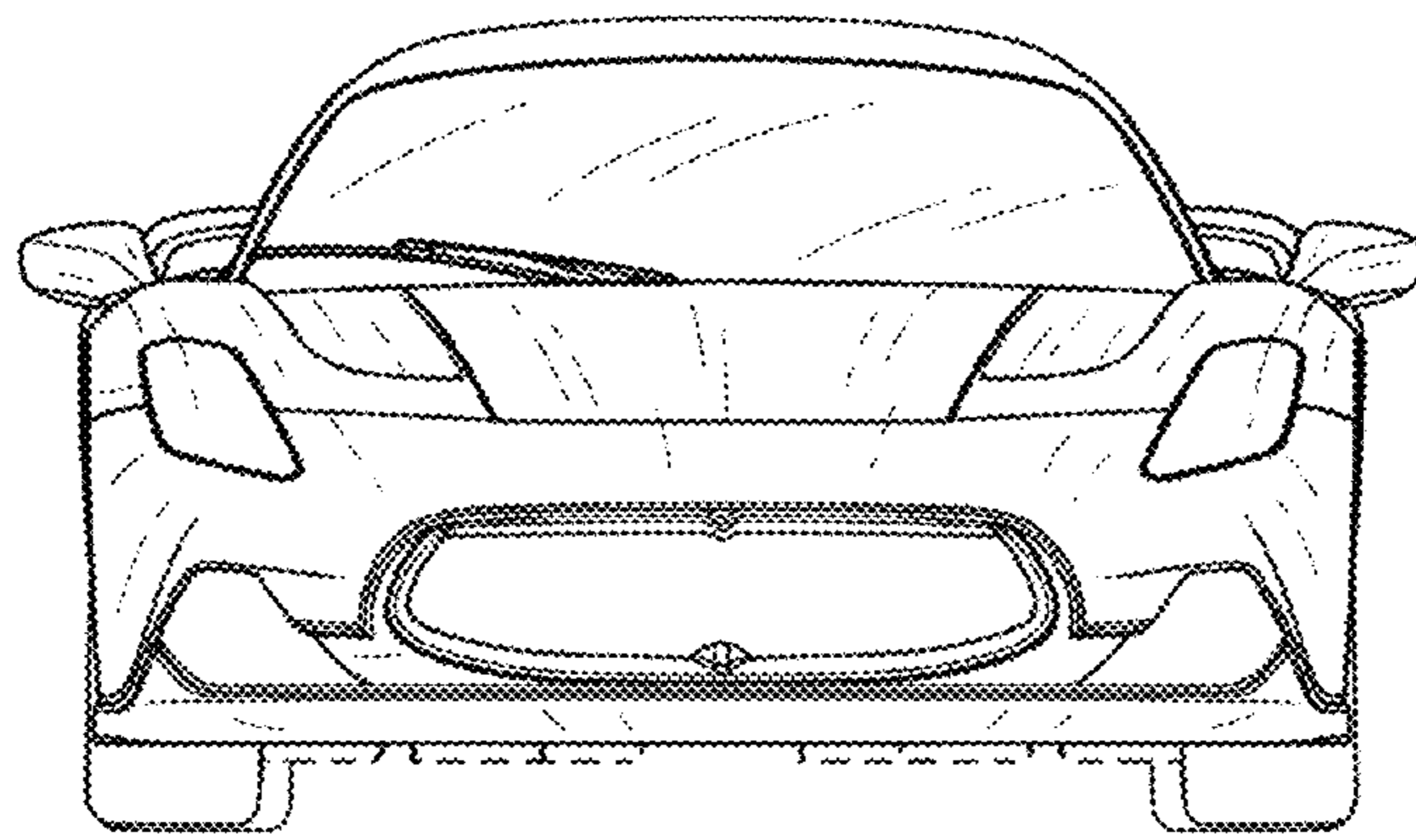


FIG. 2

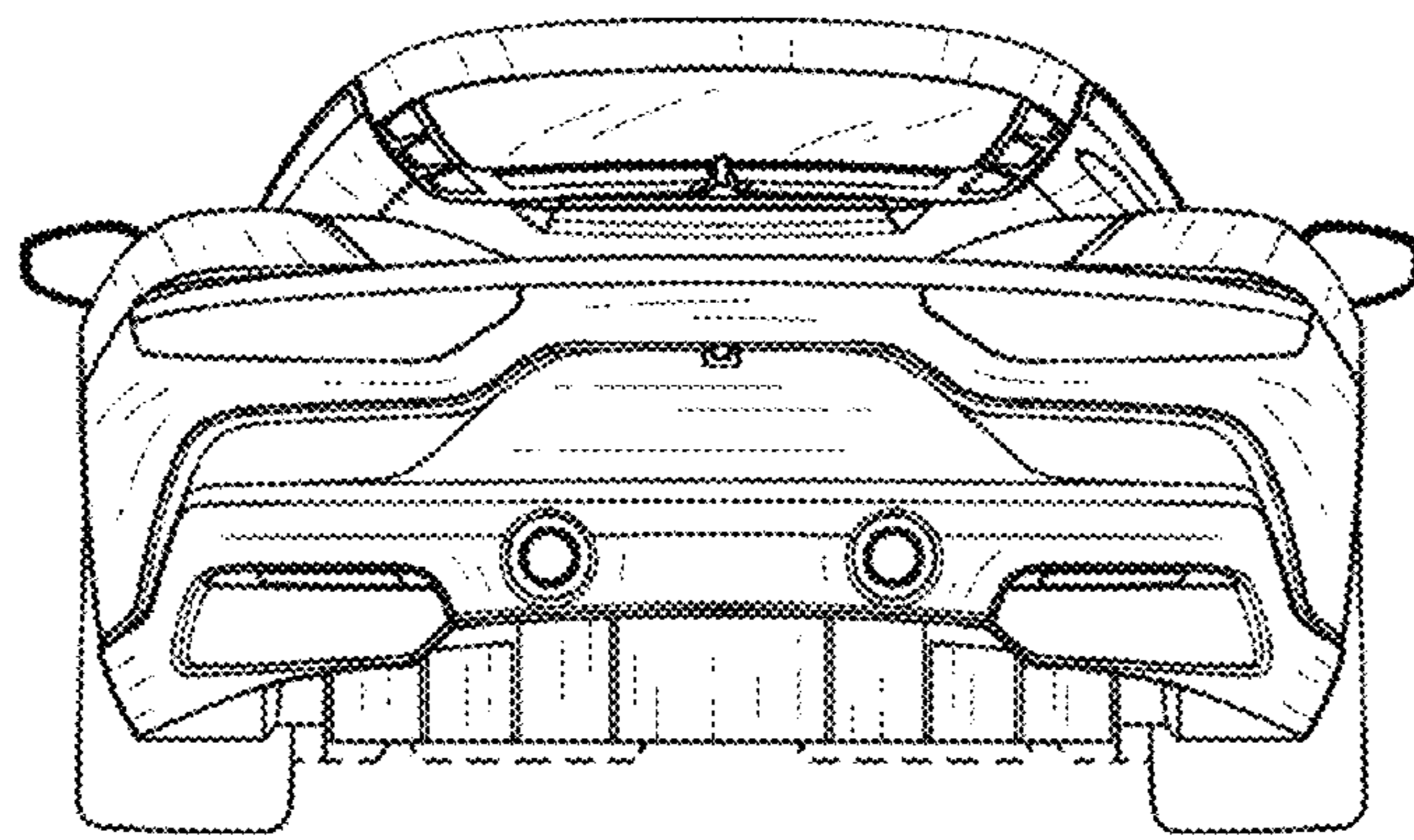


FIG. 3

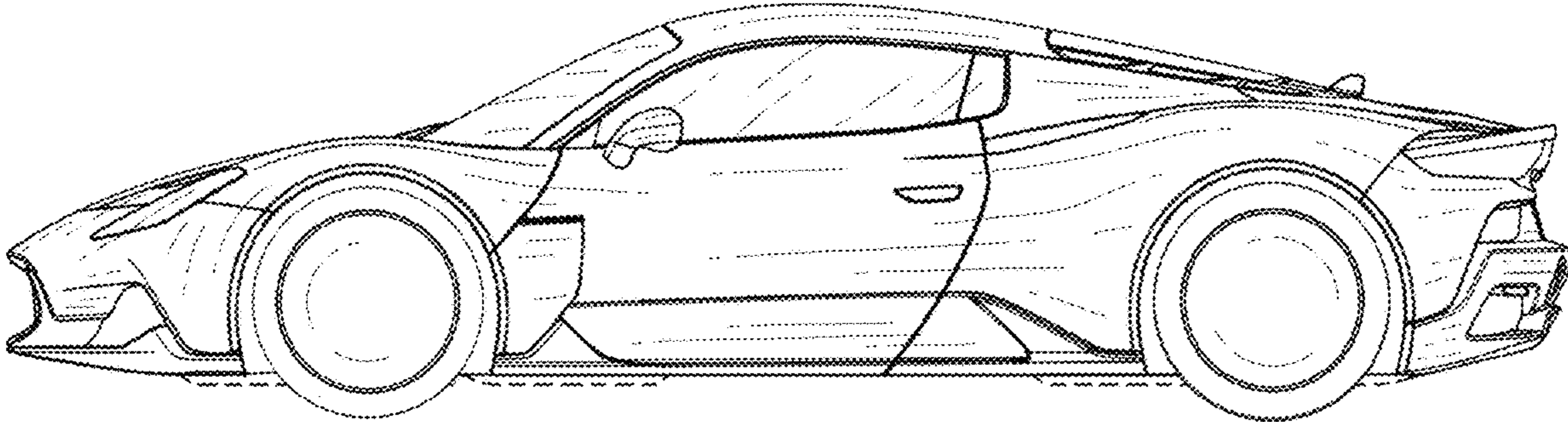


FIG. 4

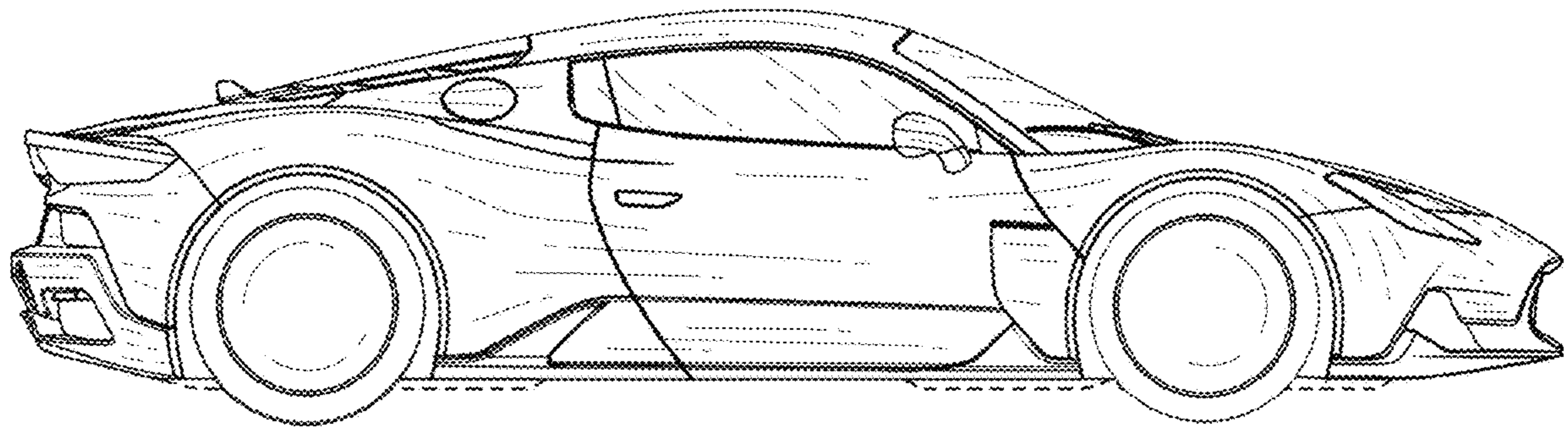


FIG. 5

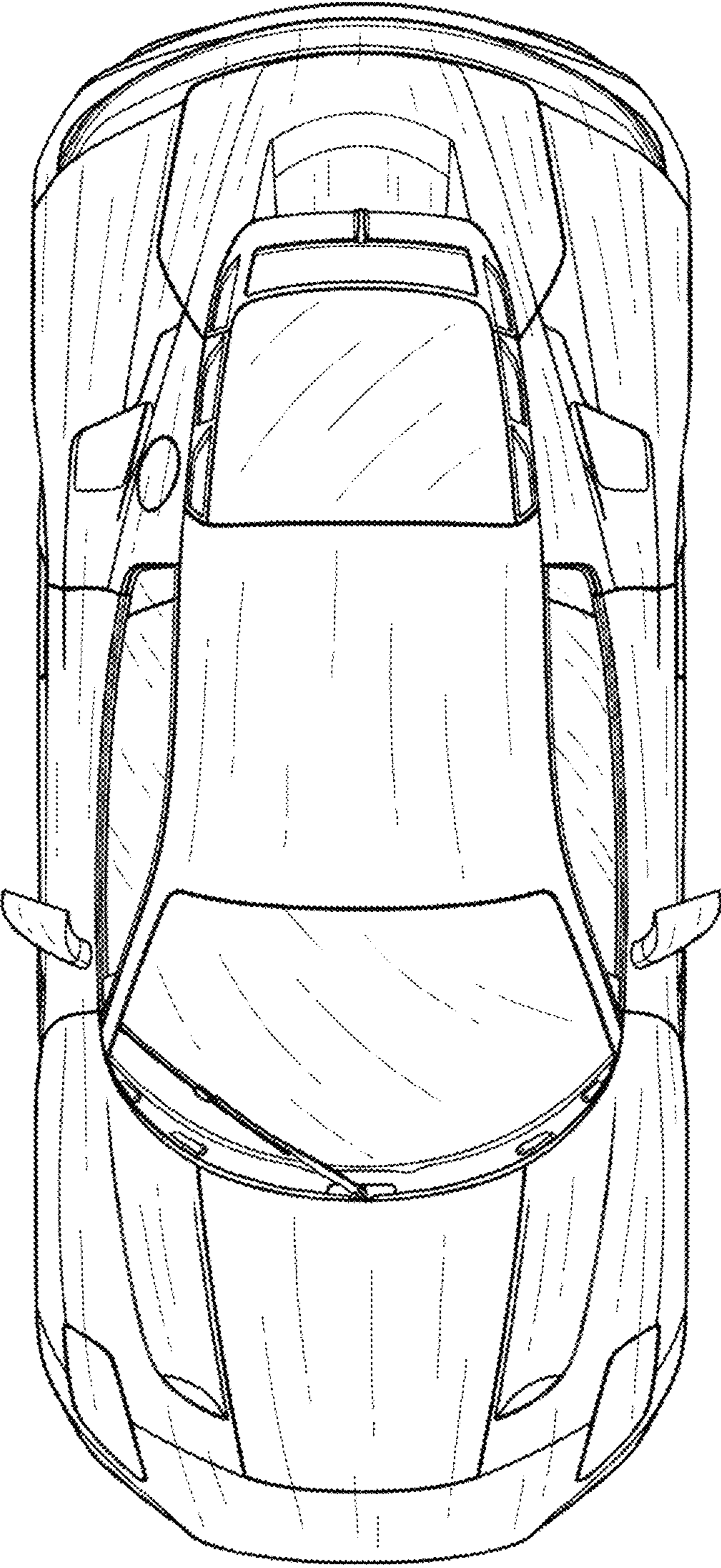


FIG. 6

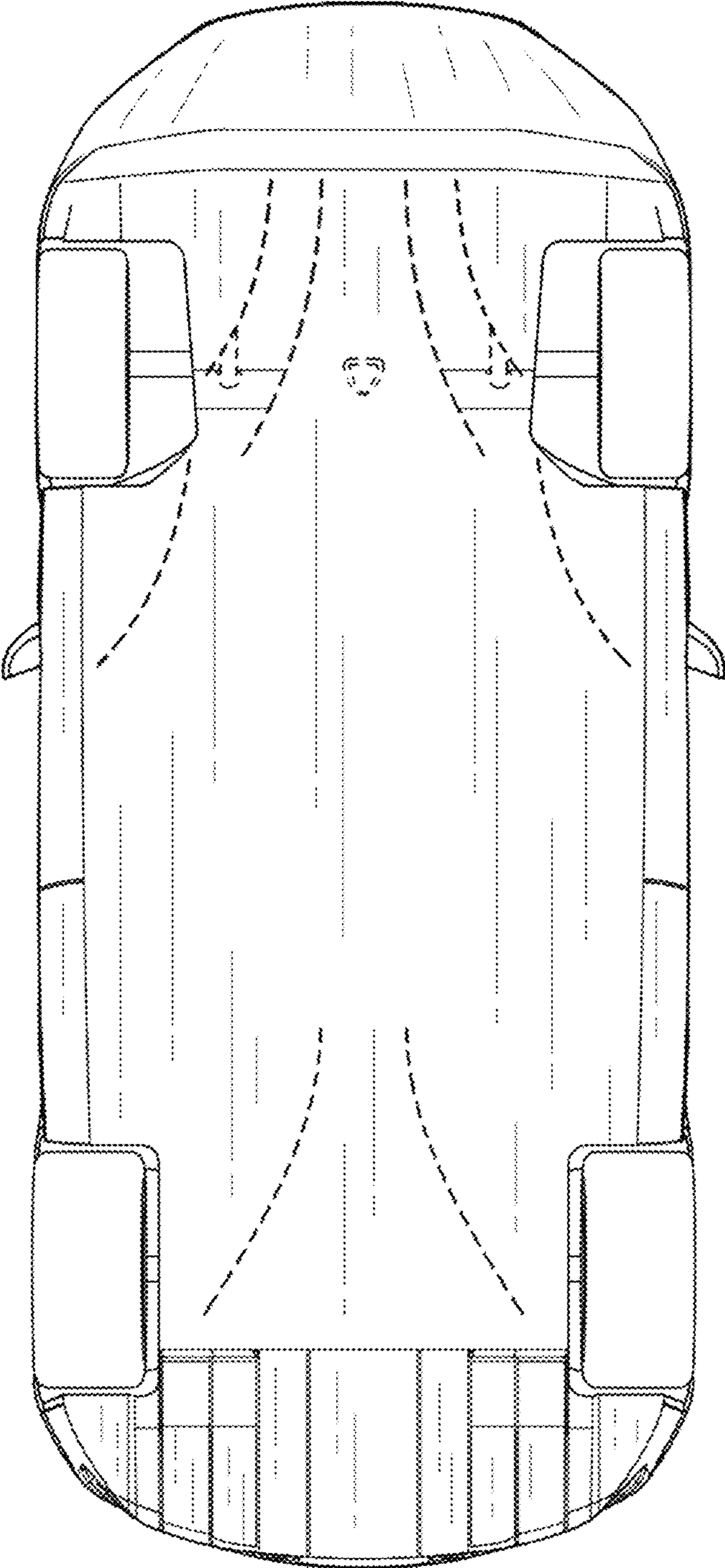


FIG. 7

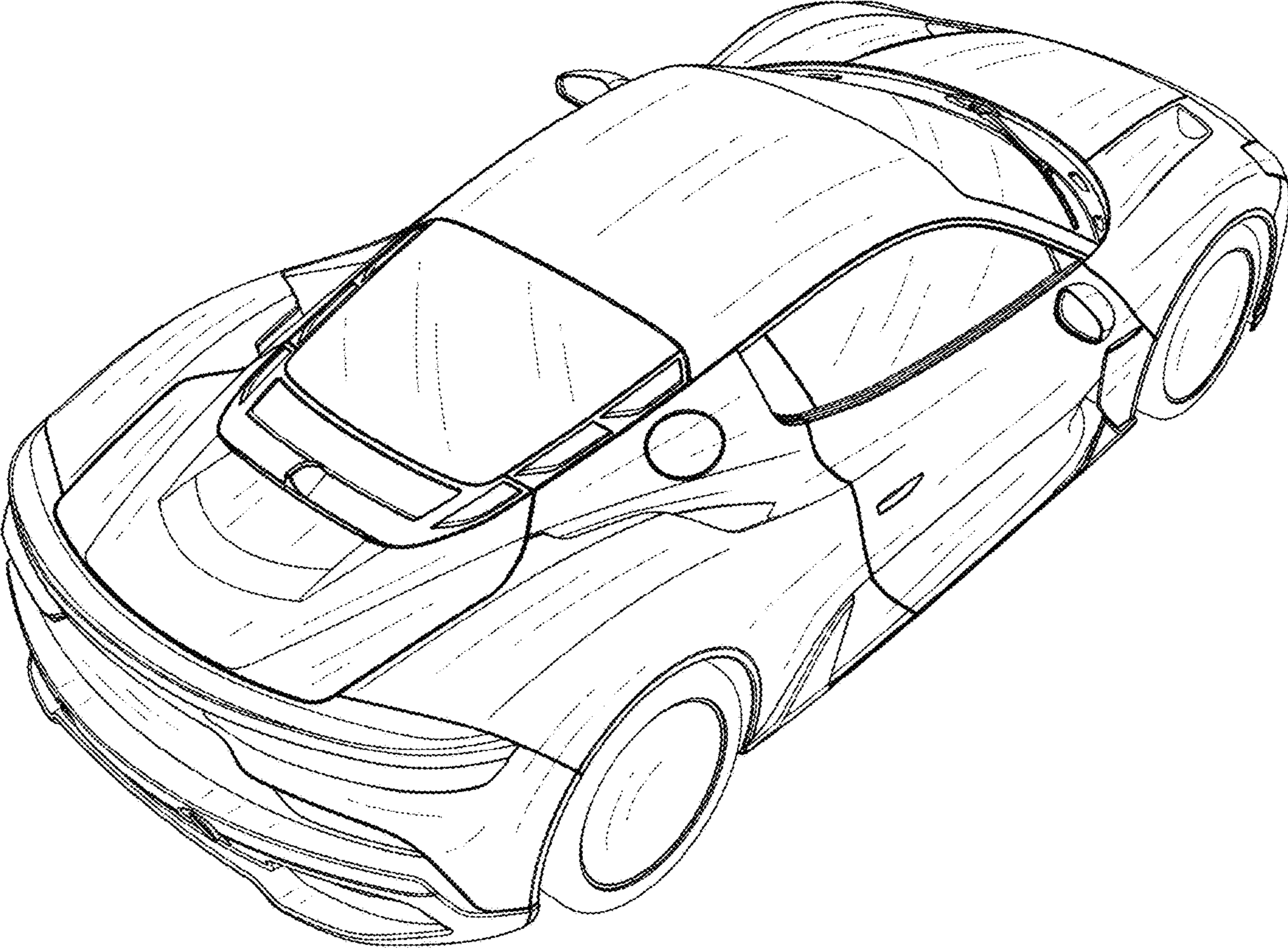


FIG. 8