



US00D975796S

(12) **United States Design Patent**  
**Ribbens et al.**

(10) **Patent No.:** **US D975,796 S**  
(45) **Date of Patent:** **\*\* Jan. 17, 2023**

(54) **TRACTOR TOY SET**

(71) Applicant: **SMART N.V.**, Kontich (BE)

(72) Inventors: **Emma Ribbens**, Antwerp (BE); **Tom Buelens**, Borgerhout (BE)

(73) Assignee: **SMART N.V.**, Kontich (BE)

(\*\*) Term: **15 Years**

(21) Appl. No.: **29/699,910**

(22) Filed: **Jul. 30, 2019**

(51) **LOC (14) Cl.** ..... **21-01**

(52) **U.S. Cl.**  
USPC ..... **D21/537**

(58) **Field of Classification Search**  
USPC ..... D21/419, 424, 427, 428, 431, 433, 434,  
D21/477, 483, 495, 533, 537, 539, 548,  
D21/549, 550-554, 556-562; D12/12,  
D12/19, 82, 83, 84, 85, 86, 87, 88, 90,  
D12/91, 93, 163, 167  
CPC ..... A63H 17/05; A63H 17/002; A63H 17/25;  
A63H 17/38; A63H 7/00; A63H 7/02;  
A63H 7/04; A63H 7/06; B62C 1/04;  
B62C 9/00

2,502,230 A \* 3/1950 Nigoghosian ..... A63H 7/04  
446/277

2,786,305 A \* 3/1957 Carter ..... A63H 17/262  
446/434

D229,707 S \* 12/1973 Schmidt ..... D21/537

D238,955 S \* 2/1976 Peterson ..... D21/537

D239,126 S \* 3/1976 Loven ..... D21/416

D285,326 S \* 8/1986 Clark ..... A63H 7/04  
D21/537

D342,552 S \* 12/1993 Pagel ..... A63H 7/04  
D21/483

D569,449 S \* 5/2008 Chung ..... A63H 7/04  
D21/431

D781,968 S \* 3/2017 Cummings ..... A63H 7/06  
D21/620

D781,970 S \* 3/2017 Cummings ..... D21/654

D782,584 S \* 3/2017 Cummings ..... A63H 7/06  
D21/610

D914,806 S \* 3/2021 Peeters ..... D21/360

D916,206 S \* 4/2021 Ribbens ..... D21/615

D926,266 S \* 7/2021 Ribbens ..... D21/590

**FOREIGN PATENT DOCUMENTS**

CN 3271047 \* 1/2003 ..... A63H 17/38

CN 305148968 \* 5/2019

EM 004682029-0002 \* 4/2018

EP 1555053 A1 \* 7/2005 ..... A63H 17/38

GB 9006125597-0001 \* 1/2019

WO WO-2007056481 A2 \* 5/2007 ..... A63H 17/05

WO D085327-024 \* 1/2015

See application file for complete search history.

**OTHER PUBLICATIONS**

(56) **References Cited**

**U.S. PATENT DOCUMENTS**

58,006 A \* 9/1866 Vrooman ..... A63H 7/06  
446/293

589,982 A \* 9/1897 Rousseau ..... A63H 7/00  
446/317

D47,988 S \* 10/1915 Boe ..... D21/537

1,243,208 A \* 10/1917 Ojczyk ..... A63H 7/04  
446/276

1,363,460 A \* 12/1920 Ekelund ..... A63H 7/06  
446/276

1,633,809 A \* 6/1927 Ekelund ..... A63H 7/04  
446/283

D82,752 S \* 12/1930 Miles ..... D21/428

1,794,136 A \* 2/1931 Barry ..... A63H 7/04  
446/276

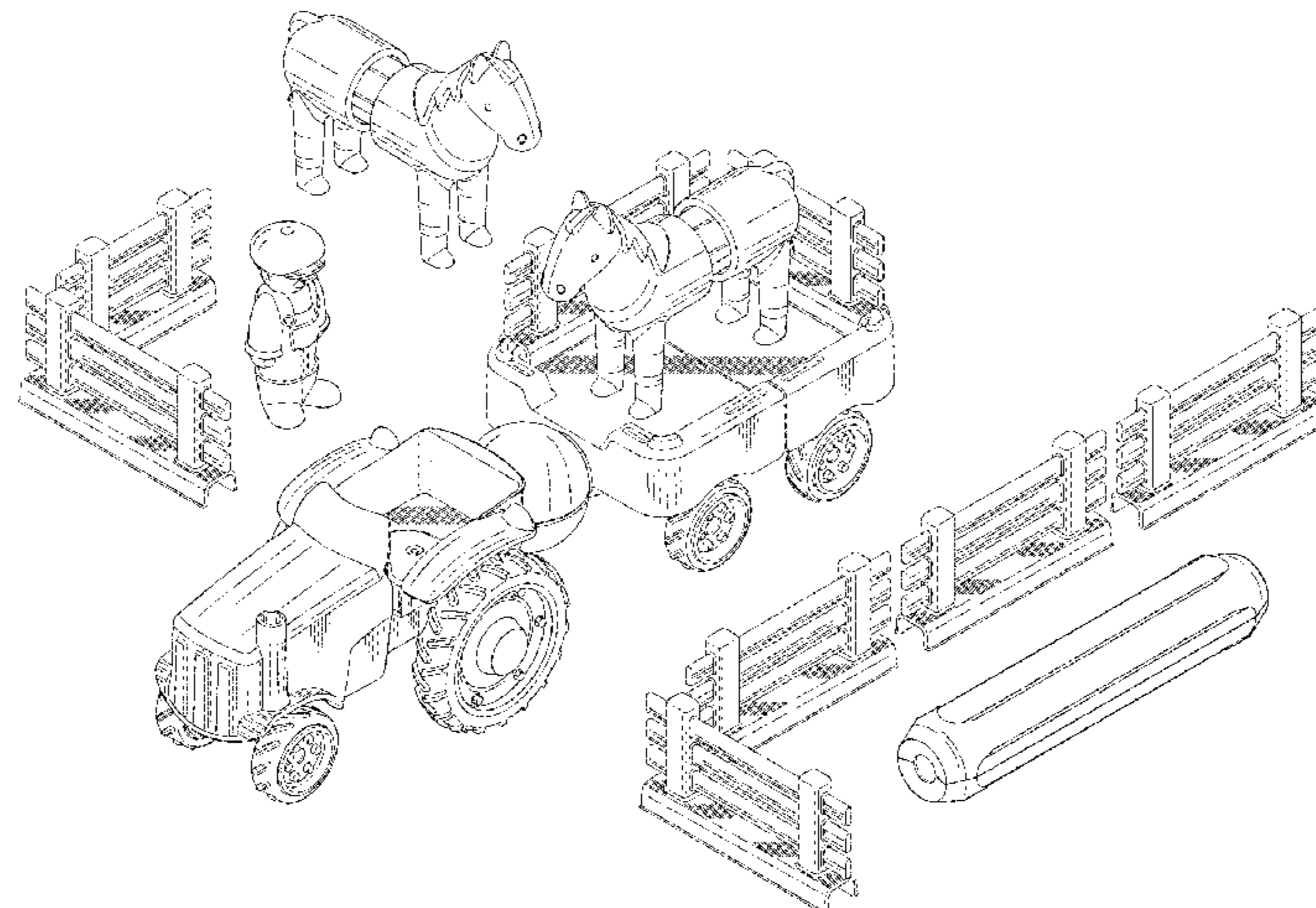
“Pöpcørn | Recipes with The Swedish Chef | The Muppets,” Jul. 2, 2010, youtube.com, site visited Feb. 4, 2022, URL: <https://www.youtube.com/watch?v=B7UmUX68KtE> (Year: 2010).\*

“Refresh message gifs,” 2013, tumblr.com, site visited Feb. 4, 2022, URL: <https://rogerdeakinsdp.tumblr.com/post/189007214550/cloudy-with-a-chance-of-meatballs-2-2013> (Year: 2013).\*

“John Deere Toy Playset With Farm Animals, Trucks & Metal Shed Unboxing !!! So Cool,” Nov. 24, 2016, youtube.com, site visited Jan. 27, 2022, URL: <https://www.youtube.com/watch?v=dD6nO1wAYt4> (Year: 2016).\*

“Heb jij al ooit een Girafhoorn gezien?” Dec. 6, 2017, youtube.com, site visited Jan. 27, 2022, URL: <https://www.youtube.com/watch?v=vmdVe25OUao> (Year: 2017).\*

“TOMY John Deere Toy Truck & Toy Tractor With Trailers,” Apr. 1, 2017, amazon.com, site visited Jan. 27, 2022, URL: <https://www.amazon.com/TOMY-Deere-Tractor-Trailers-20-Piece/dp/B000CP4J6O/>





ref=sr\_1\_3?crd=1SZE1OYE8E4GD&keywords=tractor+toy+set &qid=1643298455&sprefix=trac (Year: 2017).\*

“Farm Tractor Toys and Fun Animals Toys For Kids,” Sep. 22, 2018, youtube.com, site visited Jan. 27, 2022, URL: <https://www.youtube.com/watch?v=ezTSt9ptyBo> (Year: 2018).\*

“Smartgamespace Smart Farmer,” Feb. 13, 2019, instagram.com, site visited Jan. 27, 2022, URL: <https://www.instagram.com/p/Bt0YbfnlmaH/> (Year: 2019).\*

\* cited by examiner

*Primary Examiner* — Eric L Goodman  
*Assistant Examiner* — Sarah L Smith  
 (74) *Attorney, Agent, or Firm* — Hodgson Russ LLP

(57) **CLAIM**

The ornamental design for a tractor toy set, as shown and described.

**DESCRIPTION**

FIG. 1 is a perspective view of a tractor toy set;  
 FIG. 2 is a perspective view of a first piece thereof;  
 FIG. 3 is a front elevation view thereof;  
 FIG. 4 is a rear elevation view thereof;  
 FIG. 5 is a right side elevation view thereof;  
 FIG. 6 is a left side elevation view thereof;  
 FIG. 7 is a bottom plan view thereof;  
 FIG. 8 is a top plan view thereof;  
 FIG. 9 is a perspective view of a first portion of the first piece;  
 FIG. 10 is a front elevation view thereof;  
 FIG. 11 is a rear elevation view thereof;  
 FIG. 12 is a right side elevation view thereof;  
 FIG. 13 is a left side elevation view thereof;  
 FIG. 14 is a bottom plan view thereof;  
 FIG. 15 is a top plan view thereof;  
 FIG. 16 is a perspective view of a second portion of the first piece;  
 FIG. 17 is a front elevation view thereof;  
 FIG. 18 is a rear elevation view thereof;  
 FIG. 19 is a right side elevation view thereof;  
 FIG. 20 is a left side elevation view thereof;  
 FIG. 21 is a bottom plan view thereof;  
 FIG. 22 is a top plan view thereof;  
 FIG. 23 is a perspective view of a third portion of the first piece;  
 FIG. 24 is a front elevation view thereof;  
 FIG. 25 is a rear elevation view thereof;  
 FIG. 26 is a right side elevation view thereof;  
 FIG. 27 is a left side elevation view thereof;  
 FIG. 28 is a bottom plan view thereof;  
 FIG. 29 is a top plan view thereof;  
 FIG. 30 is a perspective view of a fourth portion of the first piece;  
 FIG. 31 is a front elevation view thereof;  
 FIG. 32 is a rear elevation view thereof;  
 FIG. 33 is a right side elevation view thereof;  
 FIG. 34 is a left side elevation view thereof;  
 FIG. 35 is a bottom plan view thereof;  
 FIG. 36 is a top plan view thereof;  
 FIG. 37 is a perspective view of a fifth portion of the first piece;  
 FIG. 38 is a front elevation view thereof;  
 FIG. 39 is a rear elevation view thereof;

FIG. 40 is a right side elevation view thereof;  
 FIG. 41 is a left side elevation view thereof;  
 FIG. 42 is a bottom plan view thereof;  
 FIG. 43 is a top plan view thereof;  
 FIG. 44 is a perspective view of a second piece of the tractor toy set;  
 FIG. 45 is a front elevation view thereof;  
 FIG. 46 is a rear elevation view thereof;  
 FIG. 47 is a right side elevation view thereof;  
 FIG. 48 is a left side elevation view thereof;  
 FIG. 49 is a bottom plan view thereof;  
 FIG. 50 is a top plan view thereof;  
 FIG. 51 is a perspective view of a third piece of the tractor toy set;  
 FIG. 52 is a perspective view of a first portion thereof;  
 FIG. 53 is a front elevation view thereof;  
 FIG. 54 is a rear elevation view thereof;  
 FIG. 55 is a right side elevation view thereof;  
 FIG. 56 is a left side elevation view thereof;  
 FIG. 57 is a bottom plan view thereof;  
 FIG. 58 is a top plan view thereof;  
 FIG. 59 is a perspective view of a second portion of the third piece;  
 FIG. 60 is a front elevation view thereof;  
 FIG. 61 is a rear elevation view thereof;  
 FIG. 62 is a right side elevation view thereof;  
 FIG. 63 is a left side elevation view thereof;  
 FIG. 64 is a bottom plan view thereof;  
 FIG. 65 is a top plan view thereof;  
 FIG. 66 is a perspective view of a third portion of the third piece;  
 FIG. 67 is a front elevation view thereof;  
 FIG. 68 is a rear elevation view thereof;  
 FIG. 69 is a right side elevation view thereof;  
 FIG. 70 is a left side elevation view thereof;  
 FIG. 71 is a bottom plan view thereof;  
 FIG. 72 is a top plan view thereof;  
 FIG. 73 is a perspective view of a fourth piece of the tractor toy set;  
 FIG. 74 is a front elevation view thereof;  
 FIG. 75 is a rear elevation view thereof;  
 FIG. 76 is a right side elevation view thereof;  
 FIG. 77 is a left side elevation view thereof;  
 FIG. 78 is a bottom plan view thereof;  
 FIG. 79 is a top plan view thereof;  
 FIG. 80 is a perspective view of a fifth piece of the tractor toy set;  
 FIG. 81 is a front elevation view thereof;  
 FIG. 82 is a rear elevation view thereof;  
 FIG. 83 is a right side elevation view thereof;  
 FIG. 84 is a left side elevation view thereof;  
 FIG. 85 is a bottom plan view thereof;  
 FIG. 86 is a top plan view thereof;  
 FIG. 87 is a perspective view of a sixth piece of the tractor toy set;  
 FIG. 88 is a front elevation view thereof;  
 FIG. 89 is a rear elevation view thereof;  
 FIG. 90 is a right side elevation view thereof;  
 FIG. 91 is a left side elevation view thereof;  
 FIG. 92 is a bottom plan view thereof; and,  
 FIG. 93 is a top plan view thereof.  
 The broken lines illustrate unclaimed portions of the tractor toy set that form no part of the claimed design.

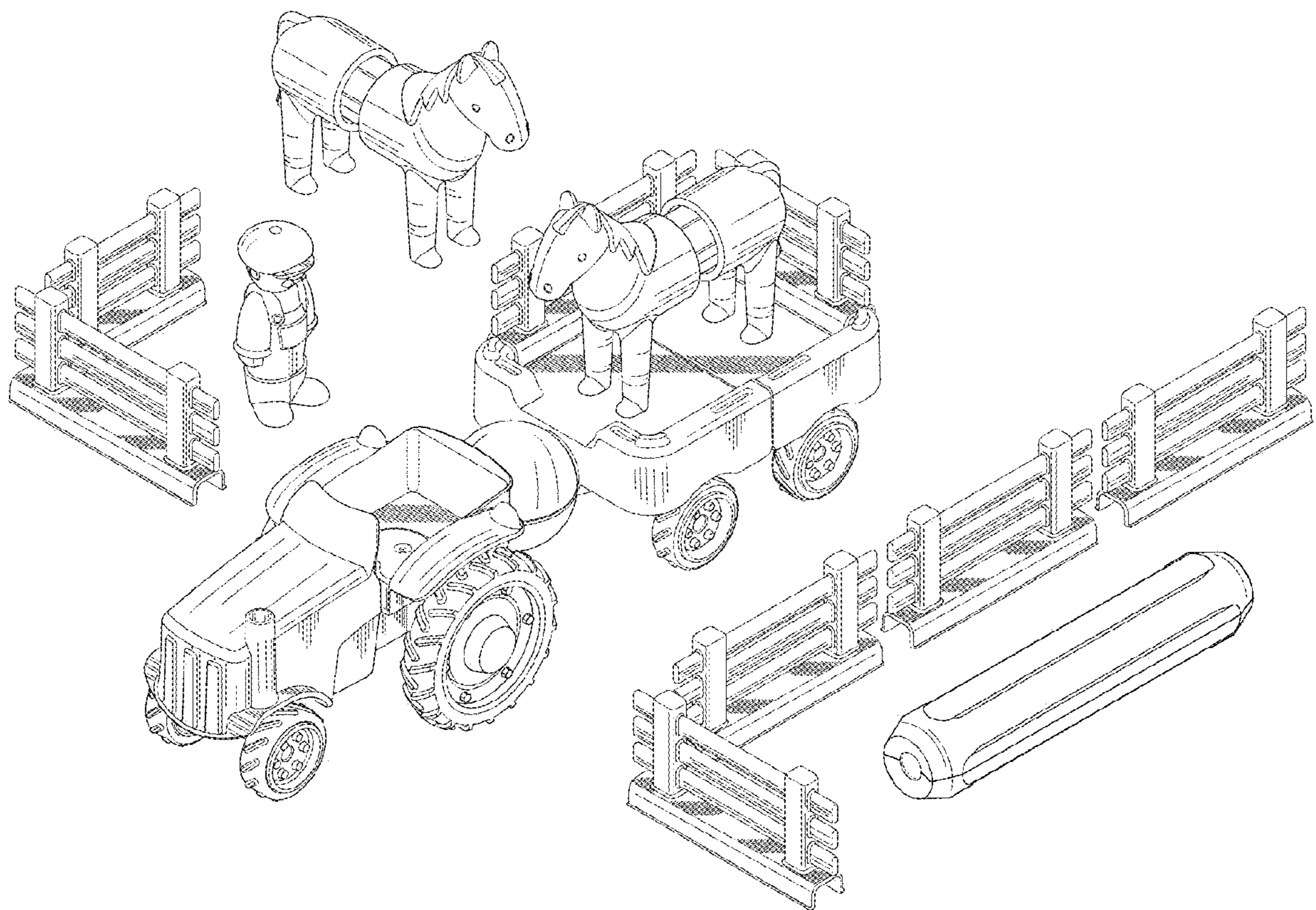


FIG. 1



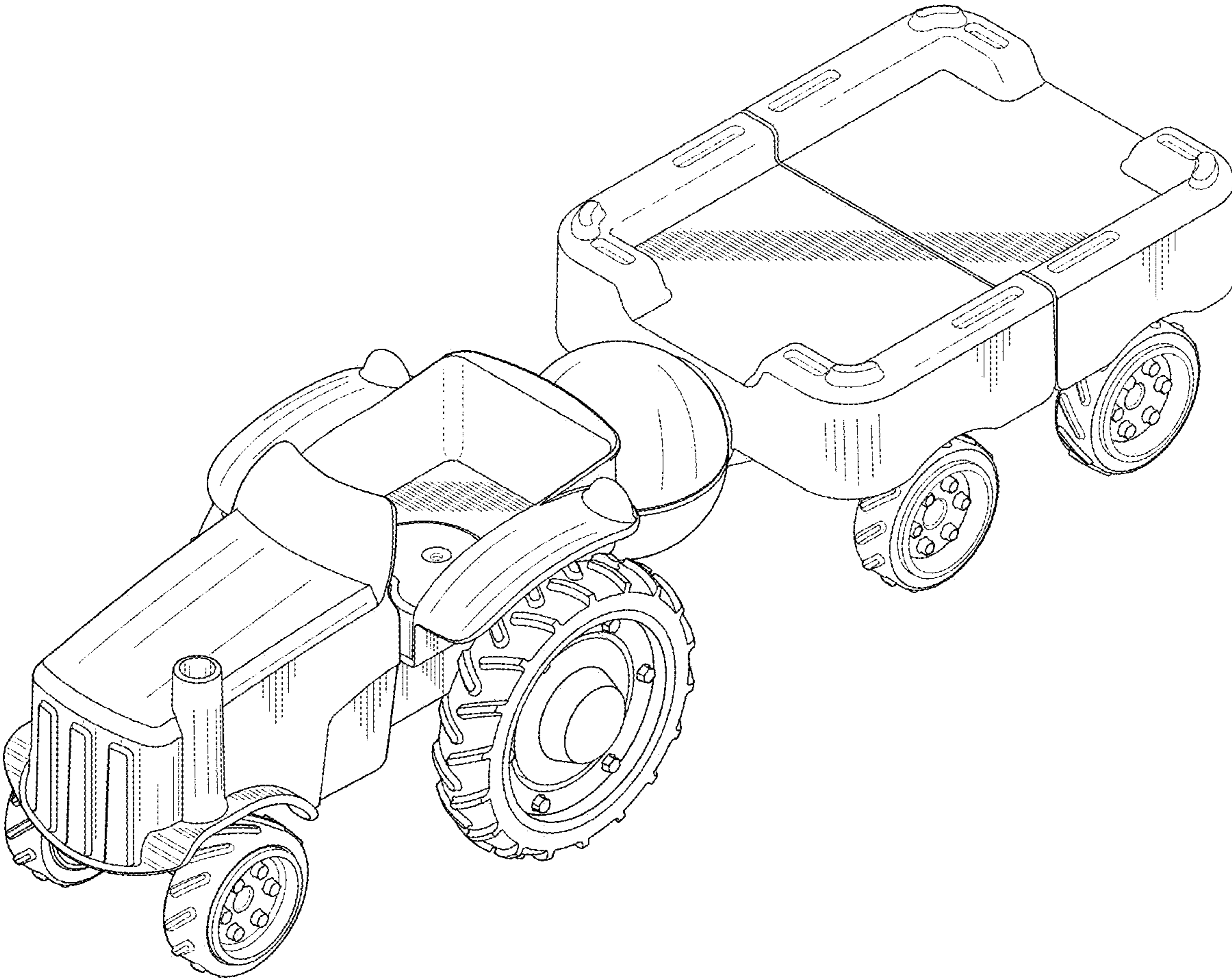


FIG. 2

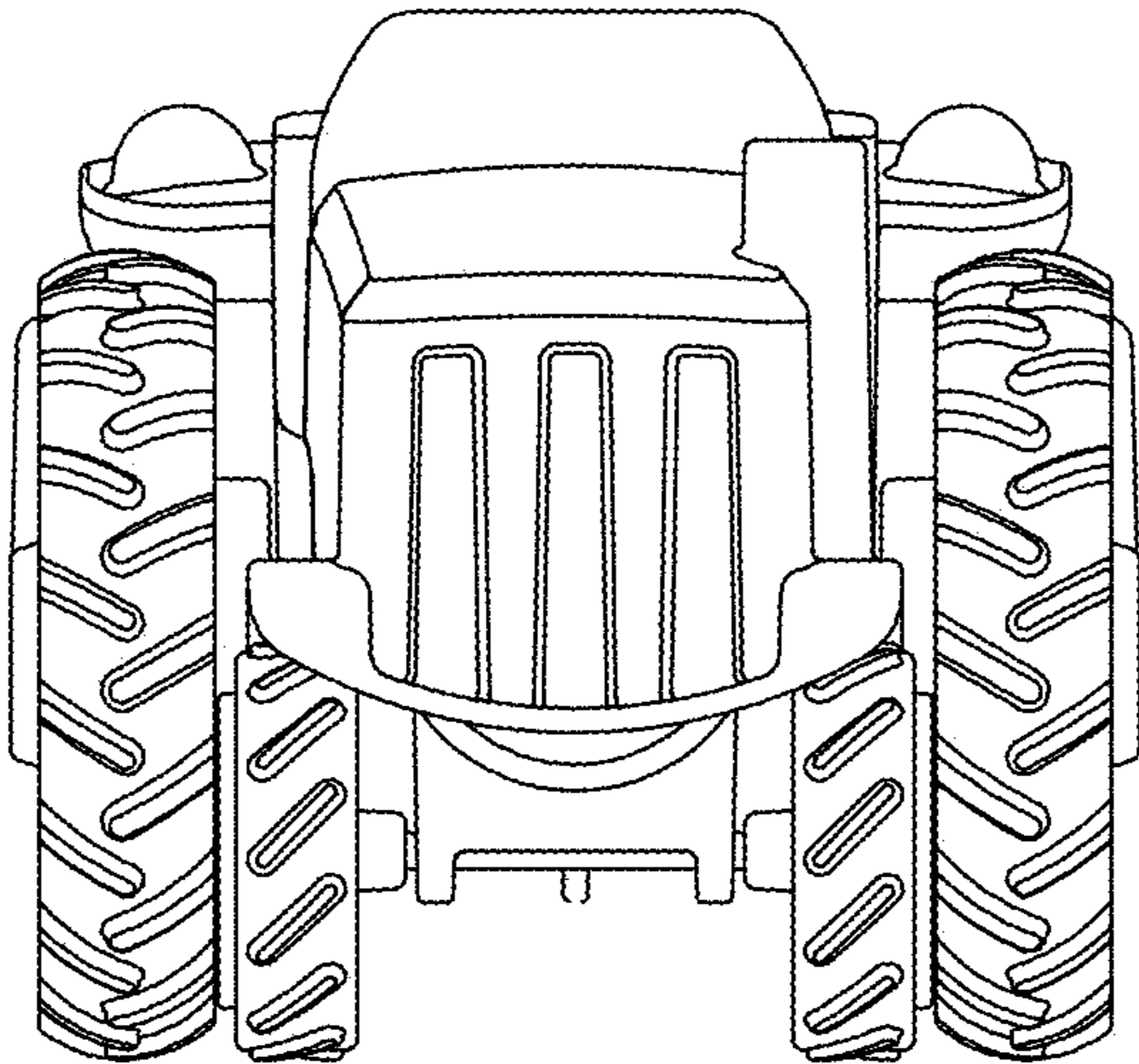


FIG. 3

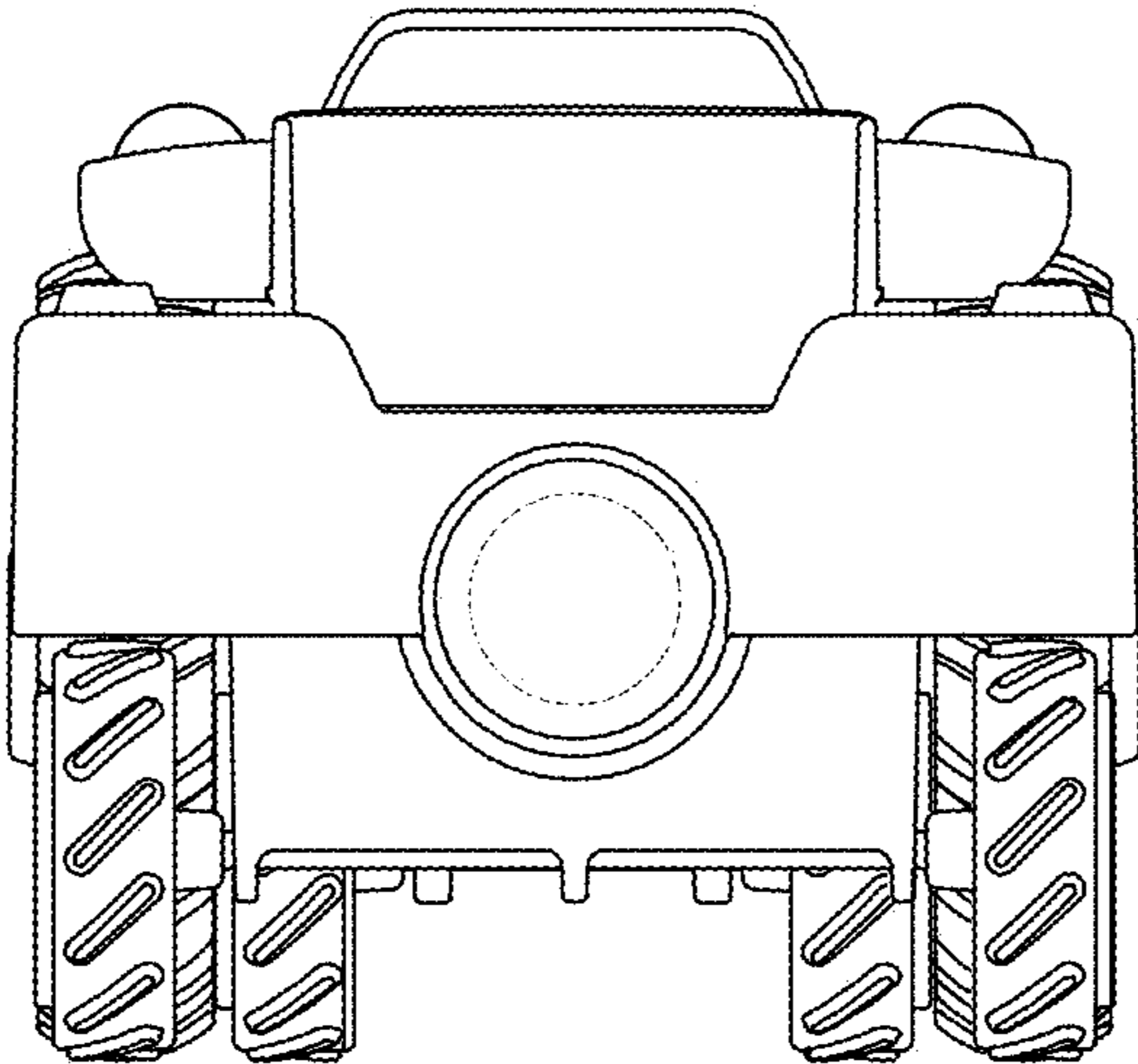


FIG. 4

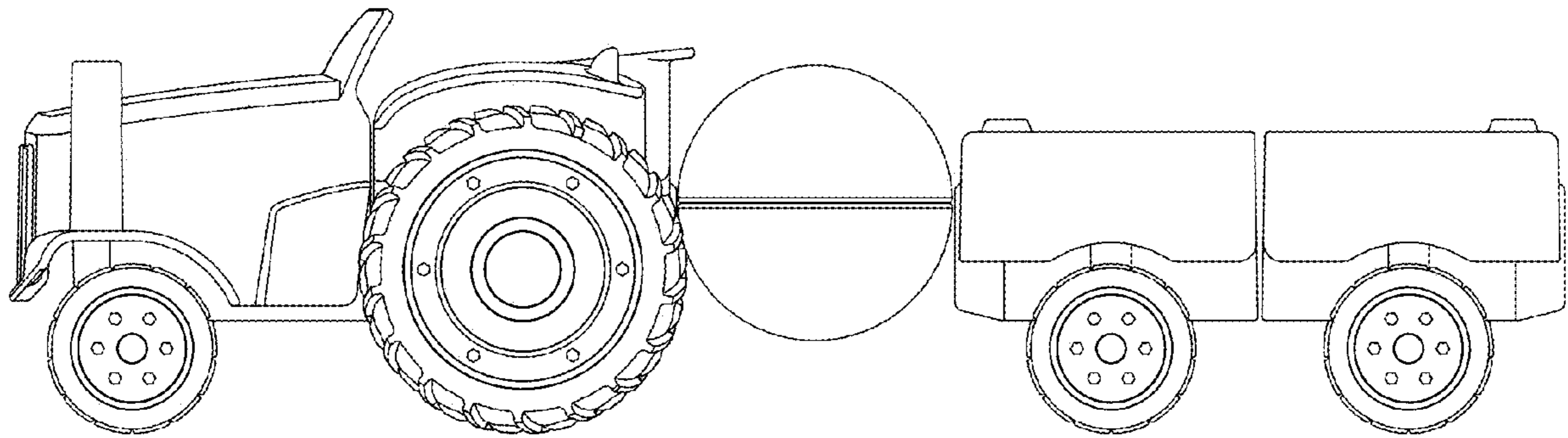


FIG. 5

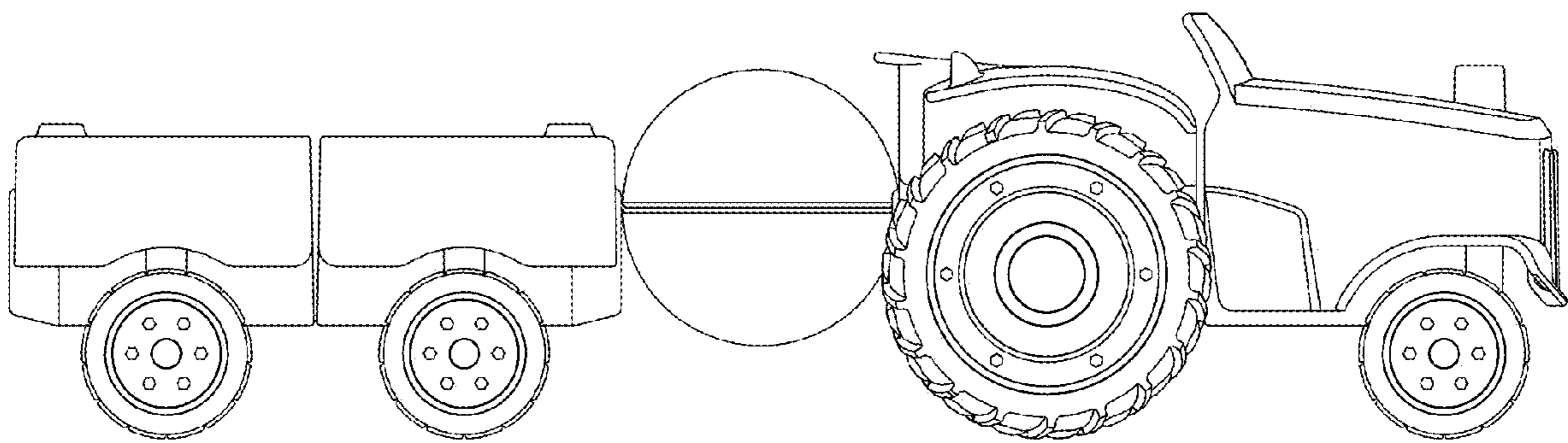


FIG. 6

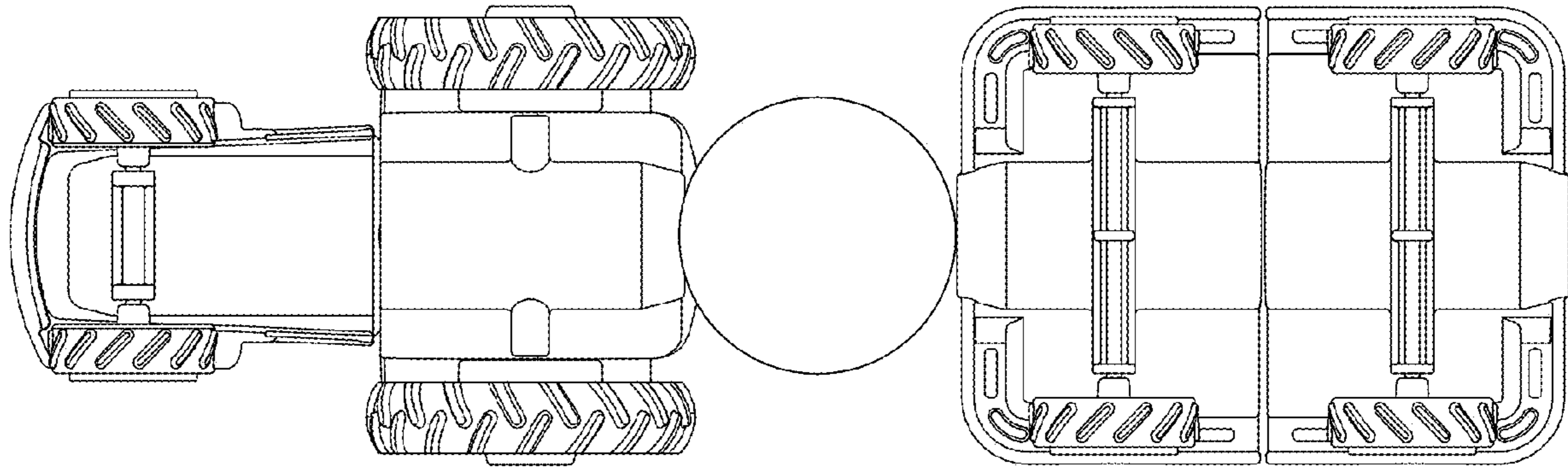


FIG. 7

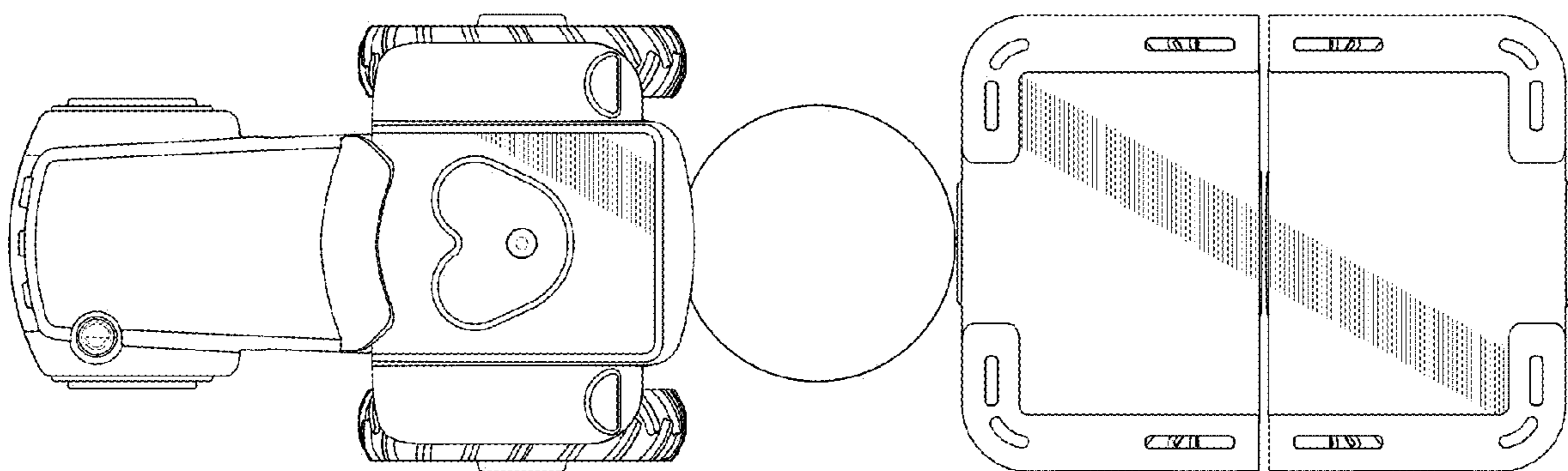


FIG. 8



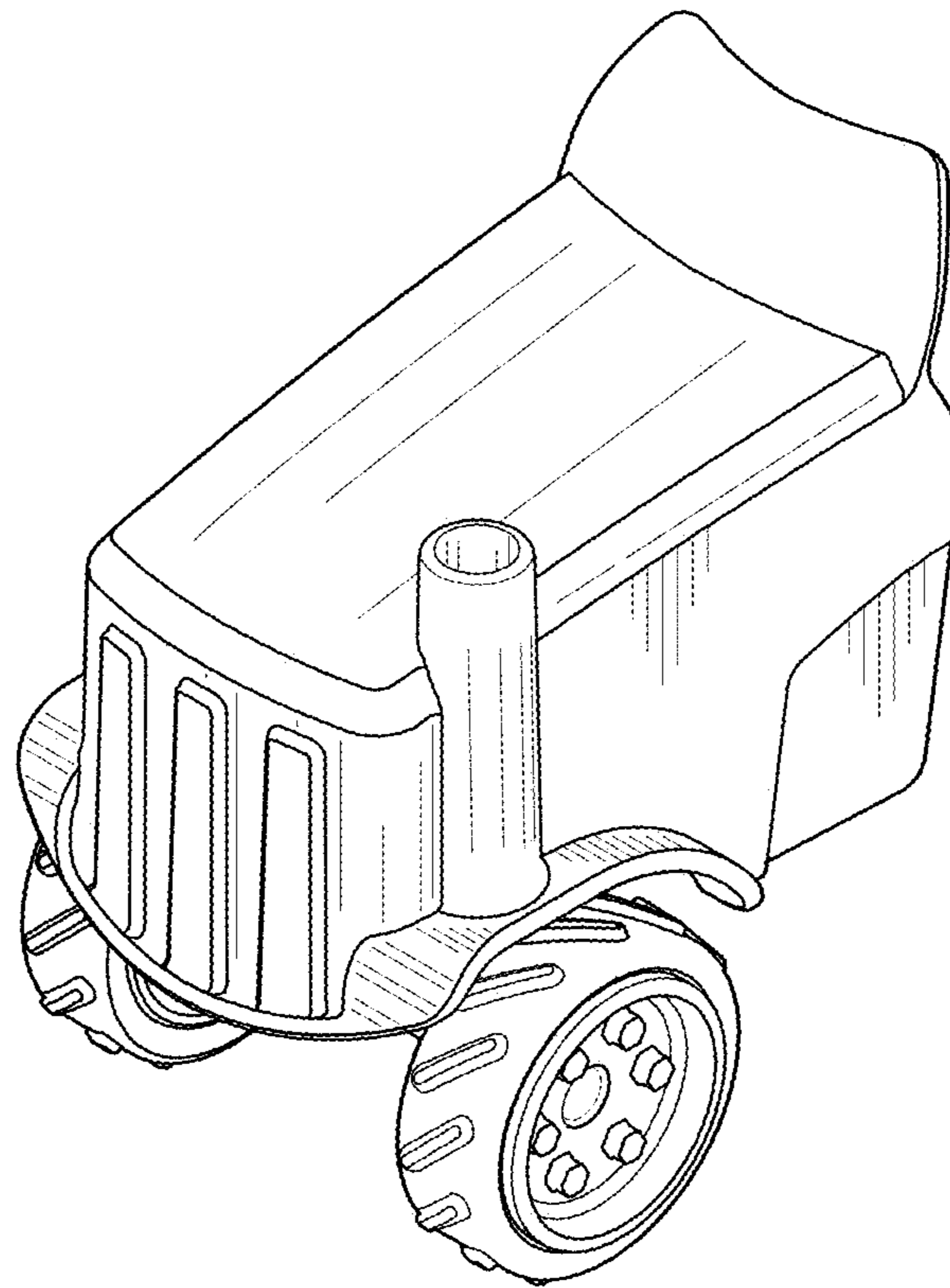


FIG. 9



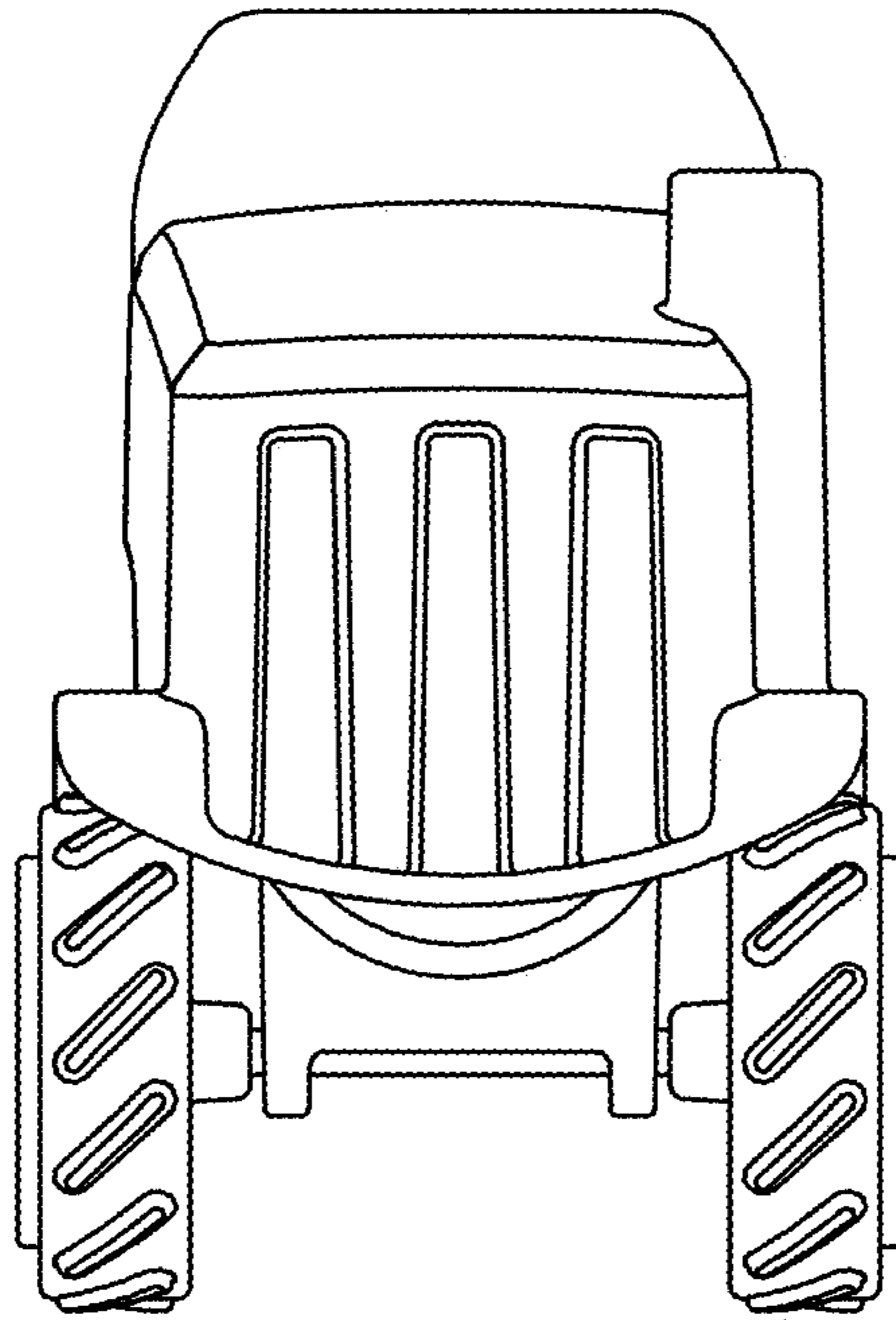


FIG. 10

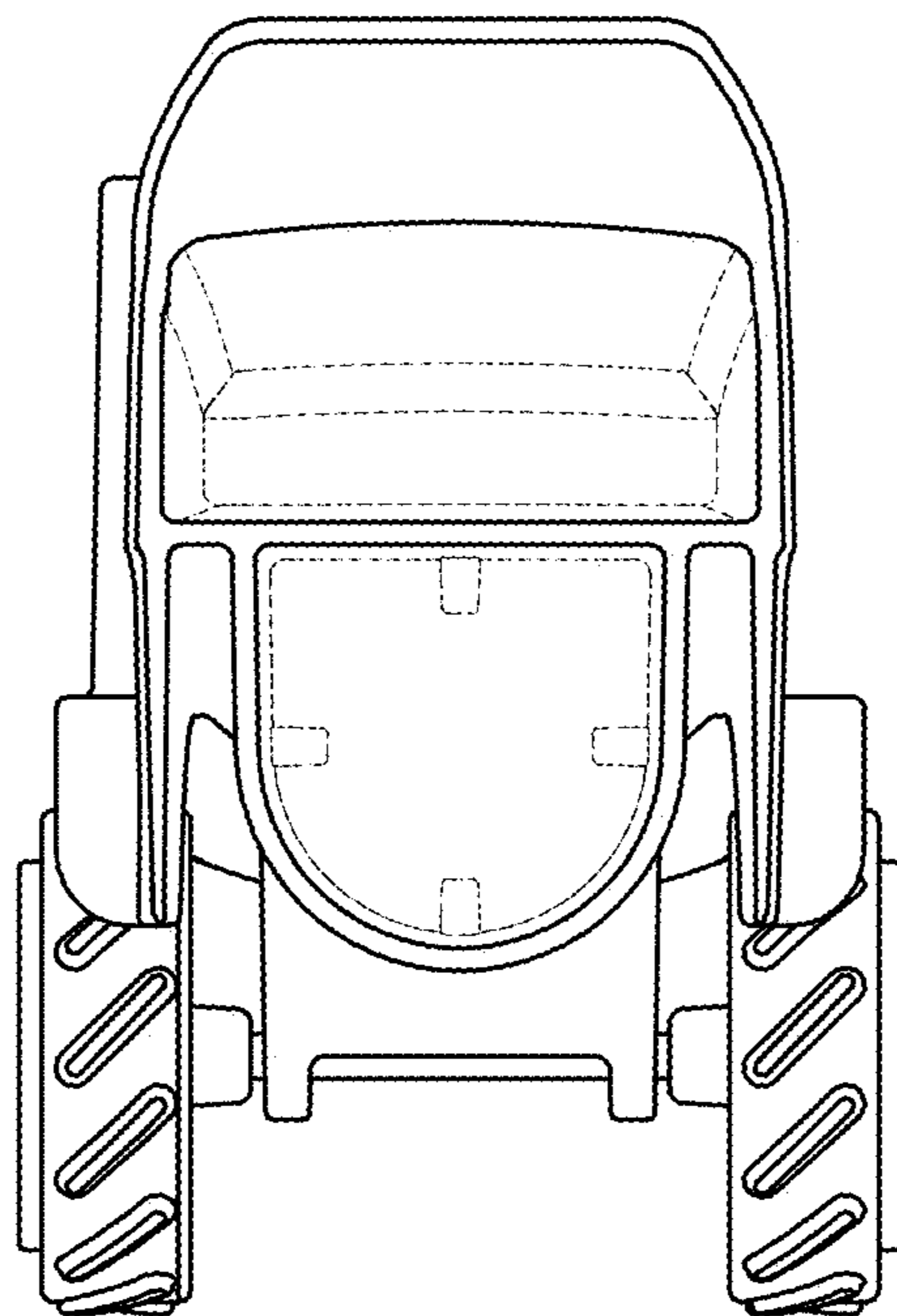


FIG. 11

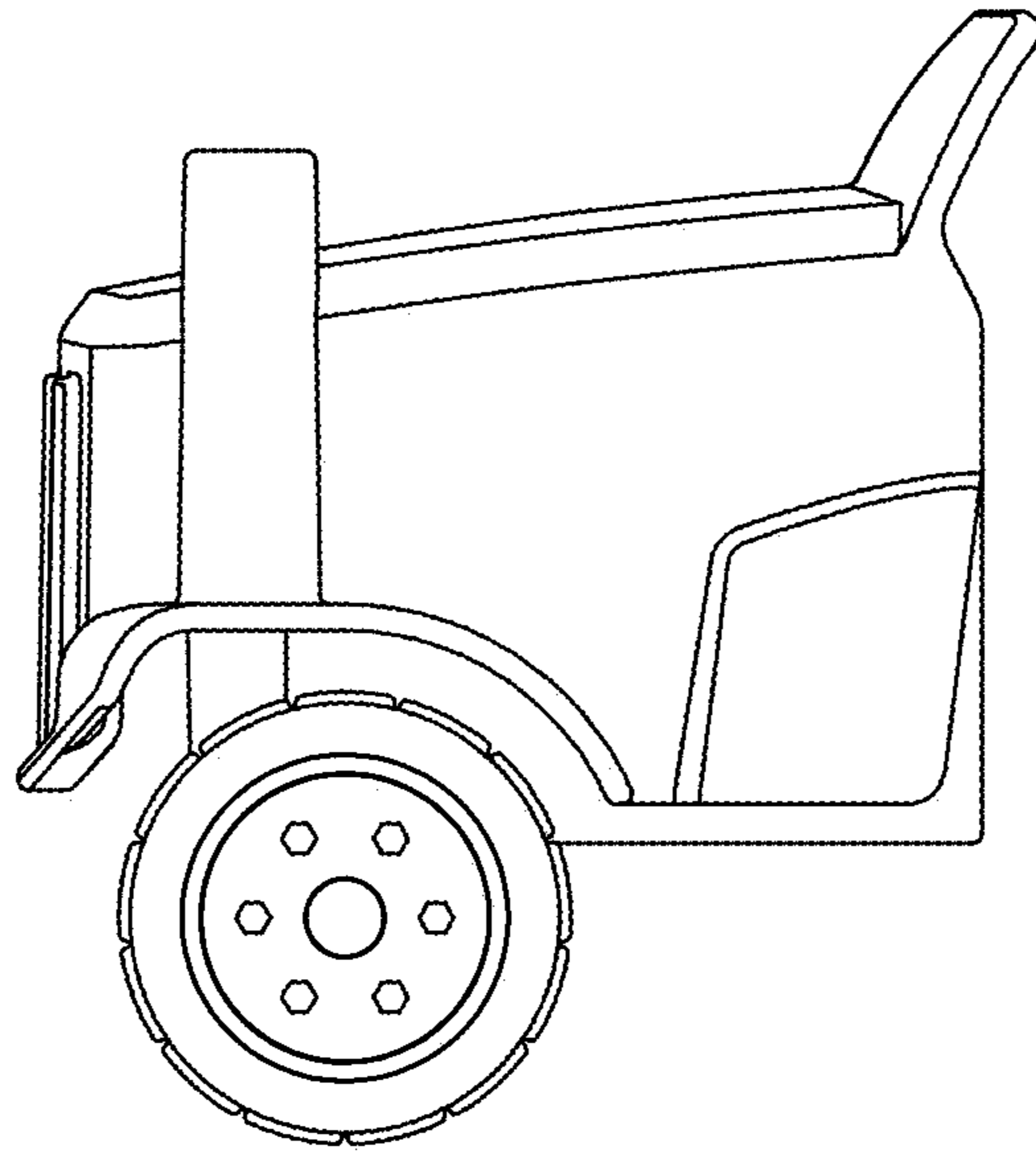


FIG. 12

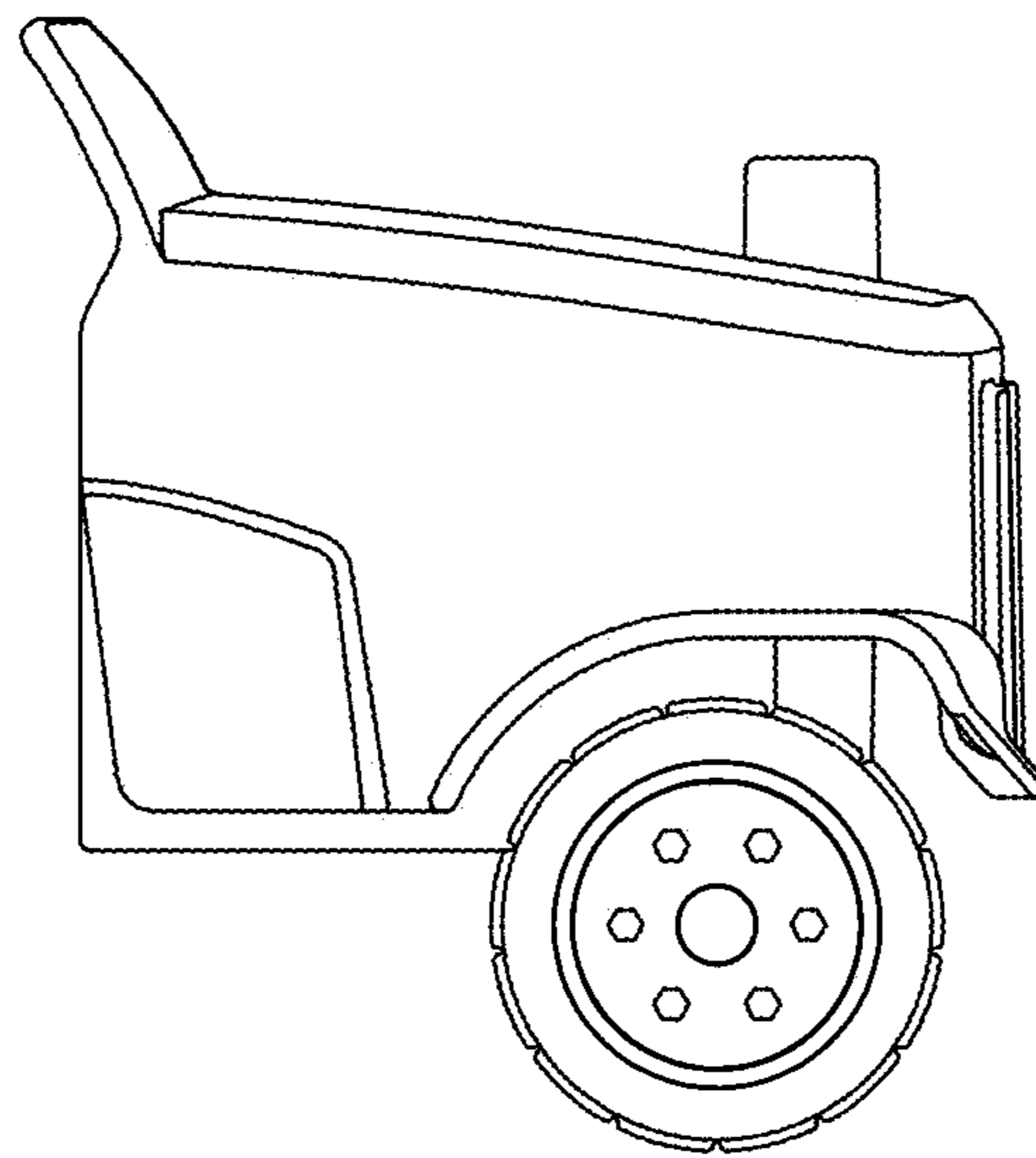


FIG. 13

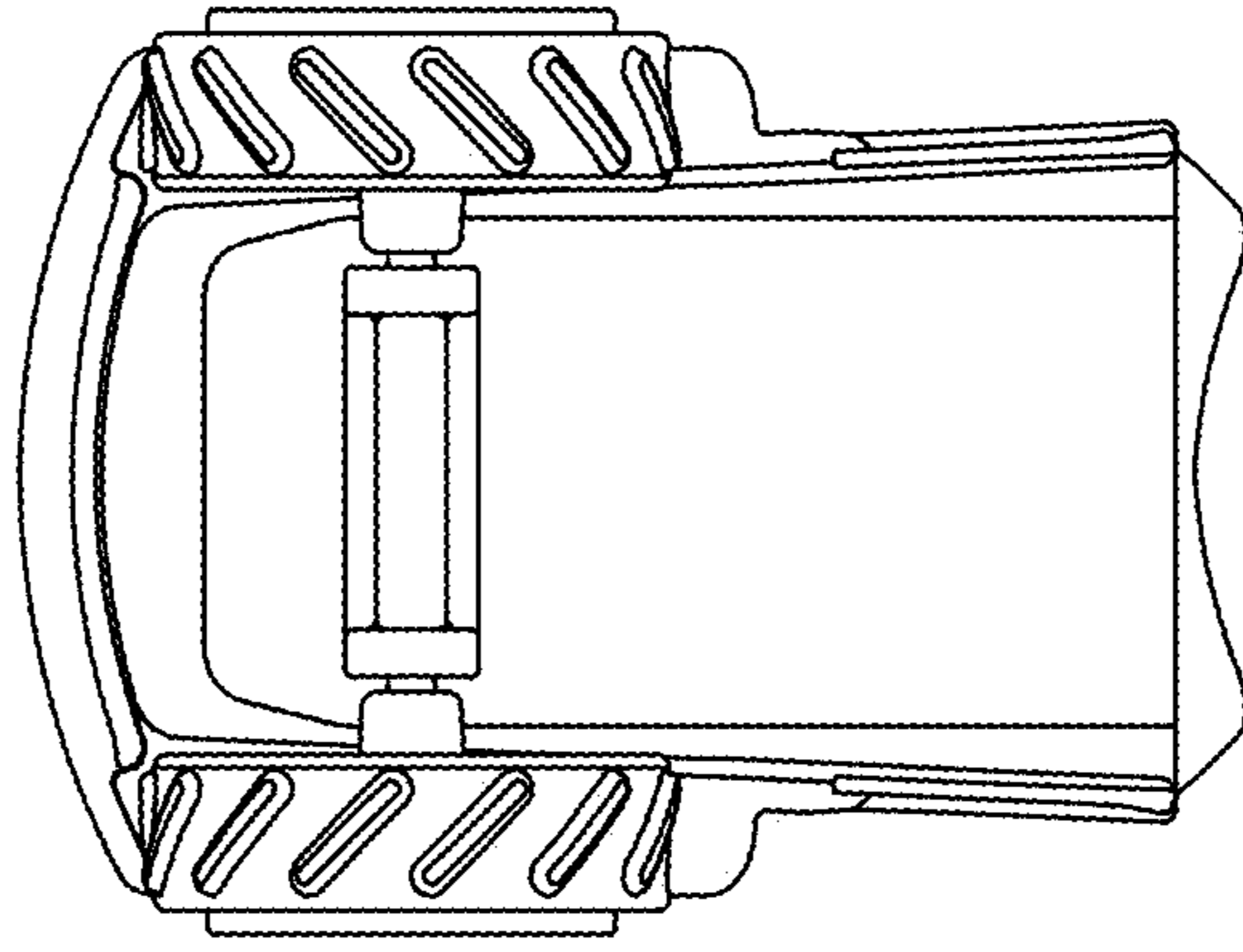


FIG. 14

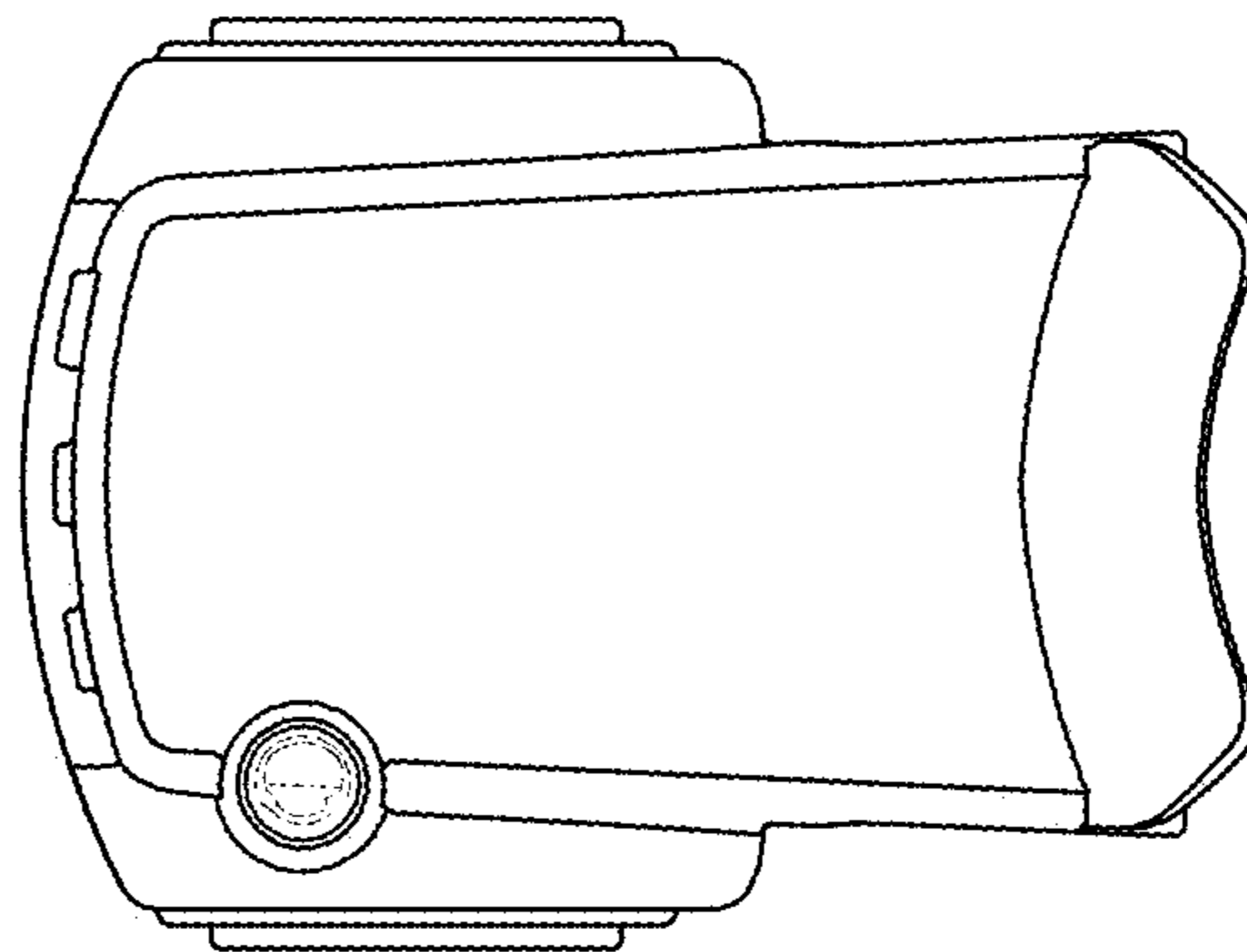


FIG. 15



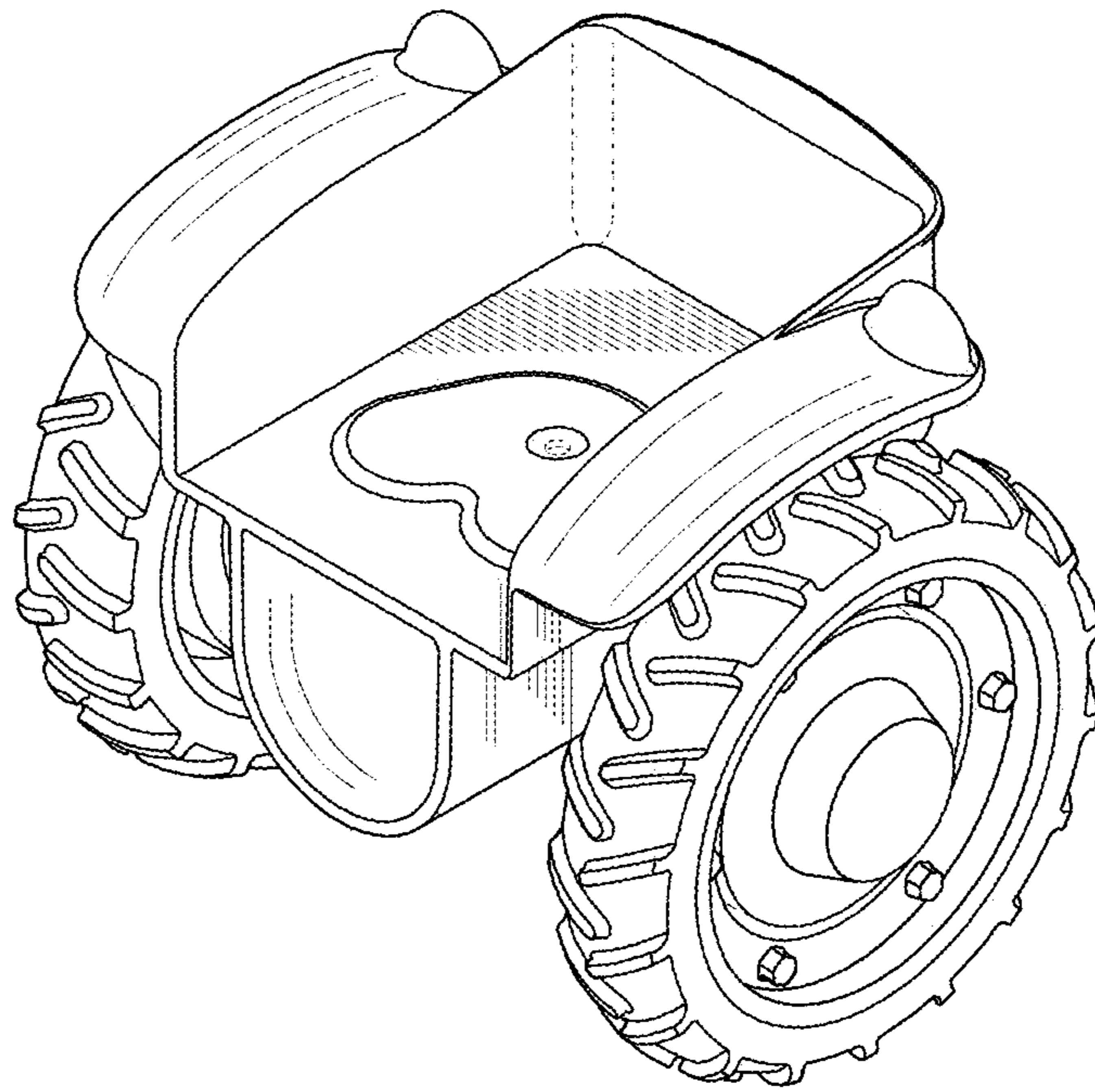


FIG. 16

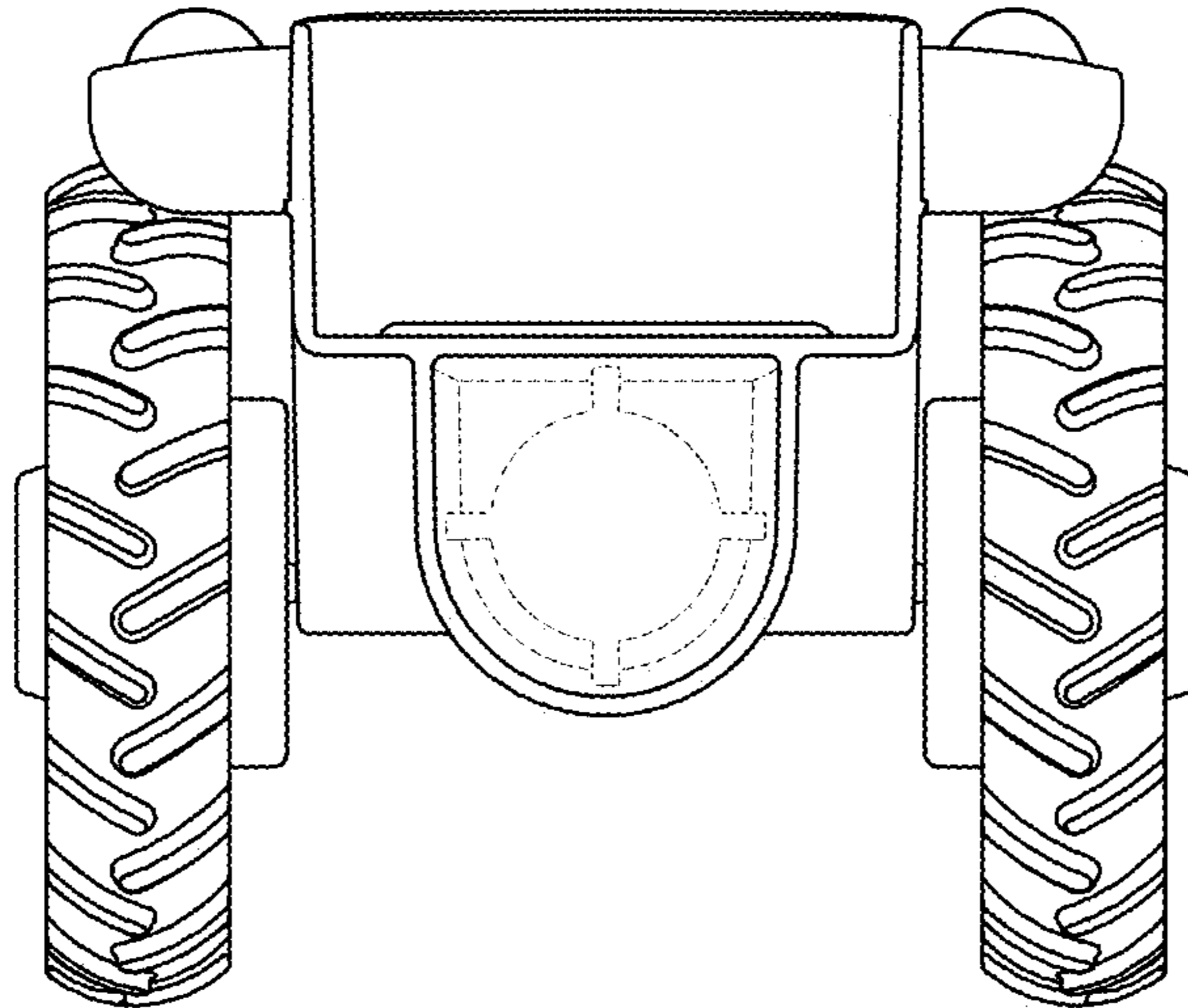


FIG. 17

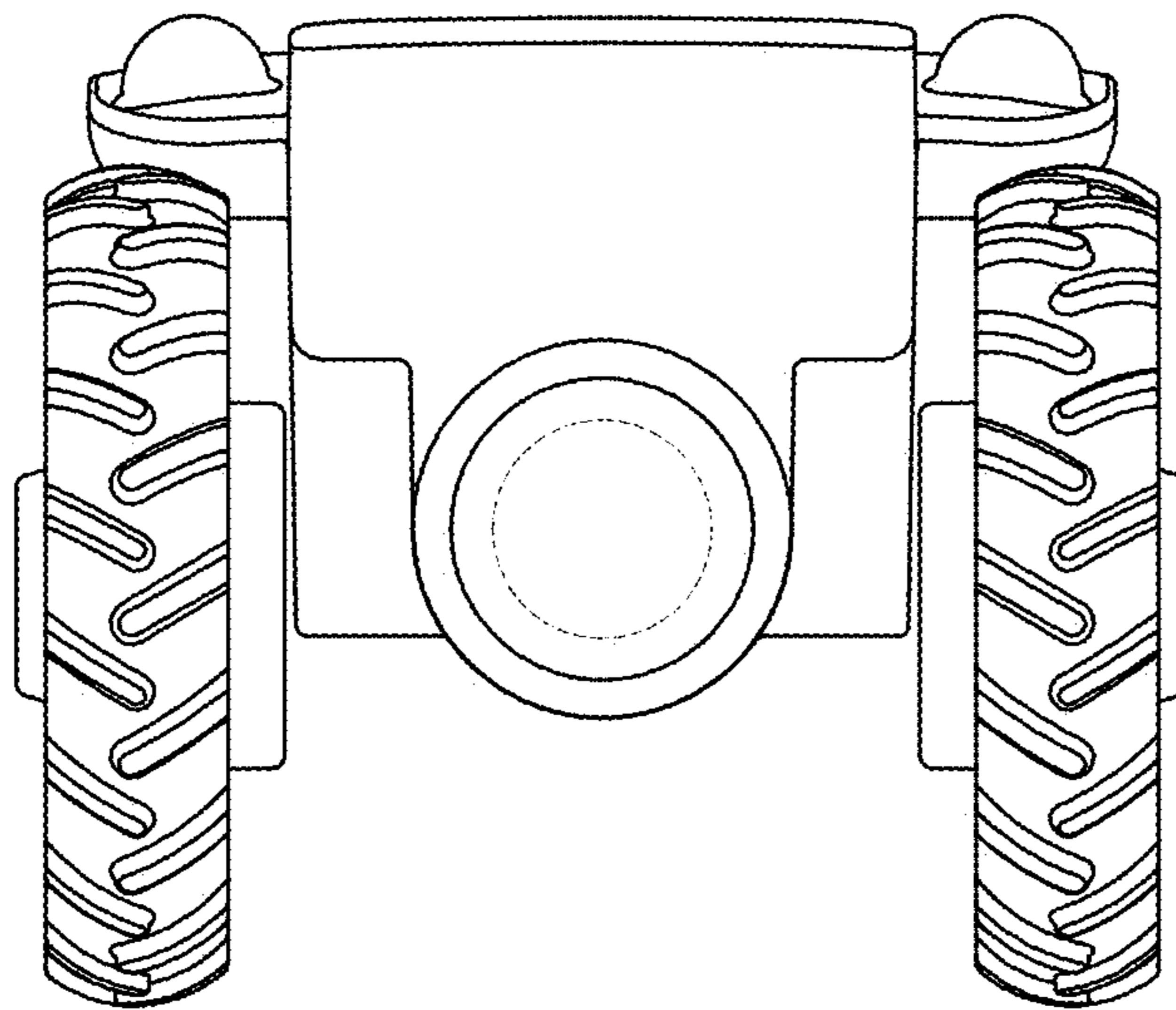


FIG. 18

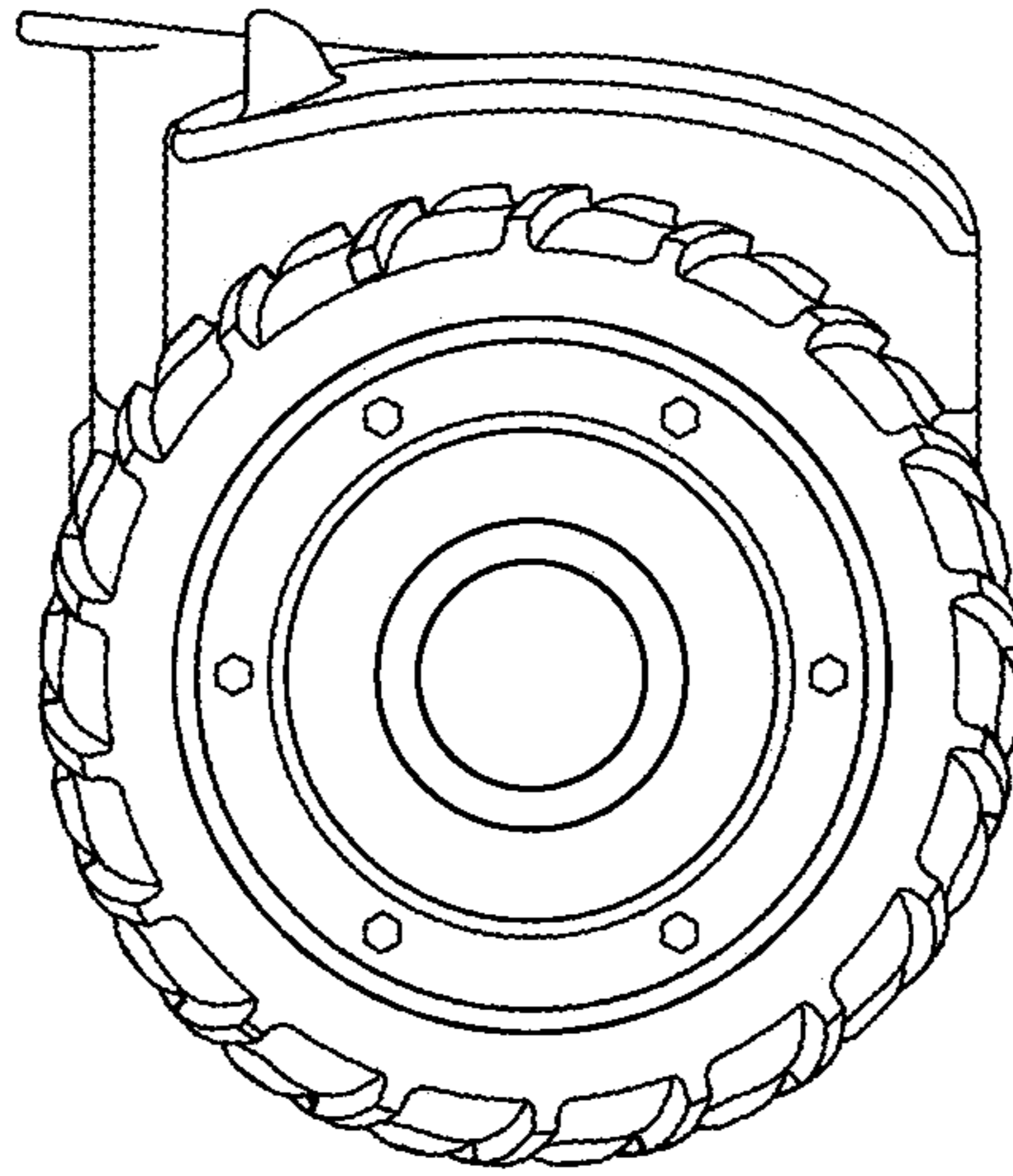


FIG. 19

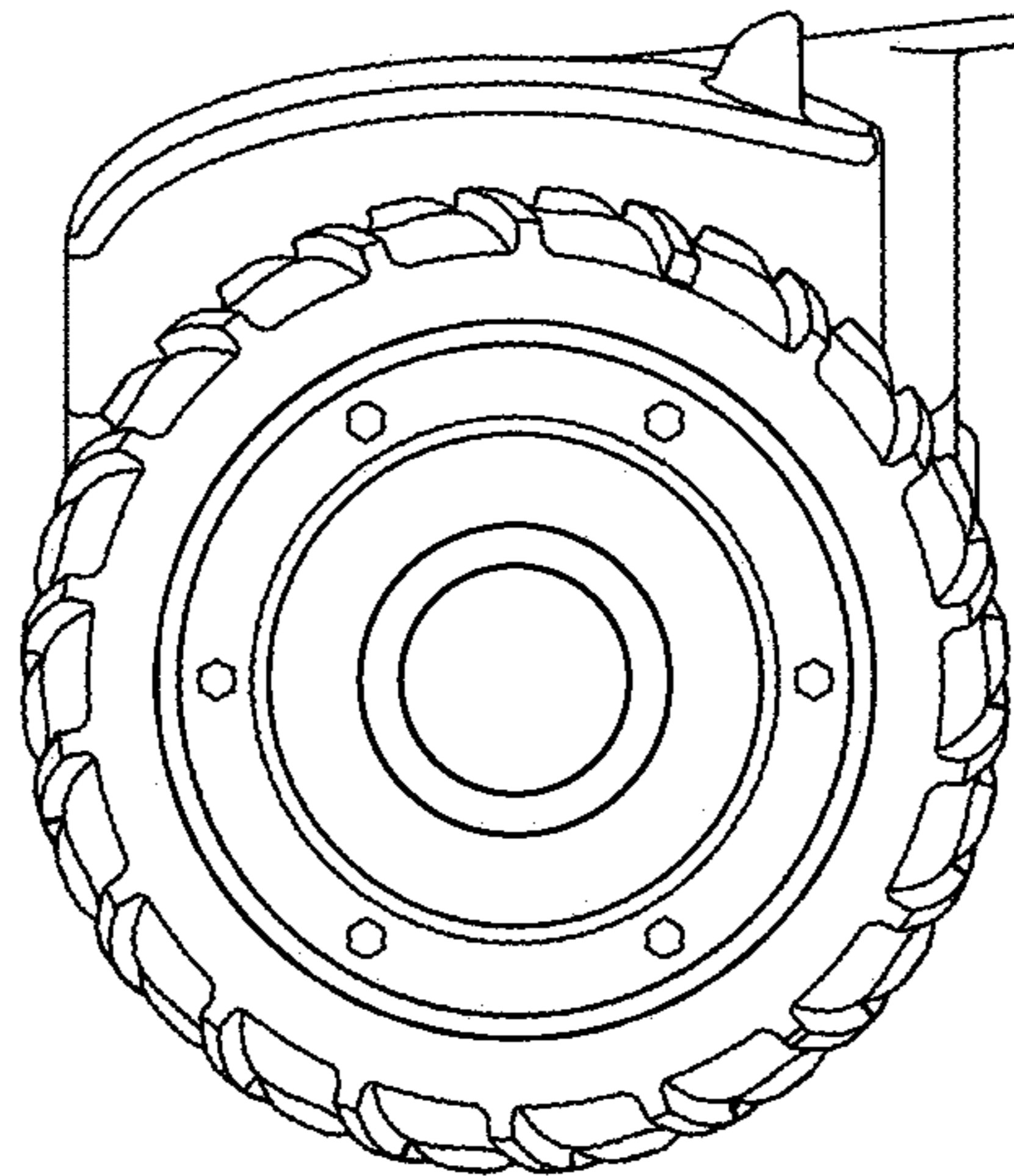


FIG. 20



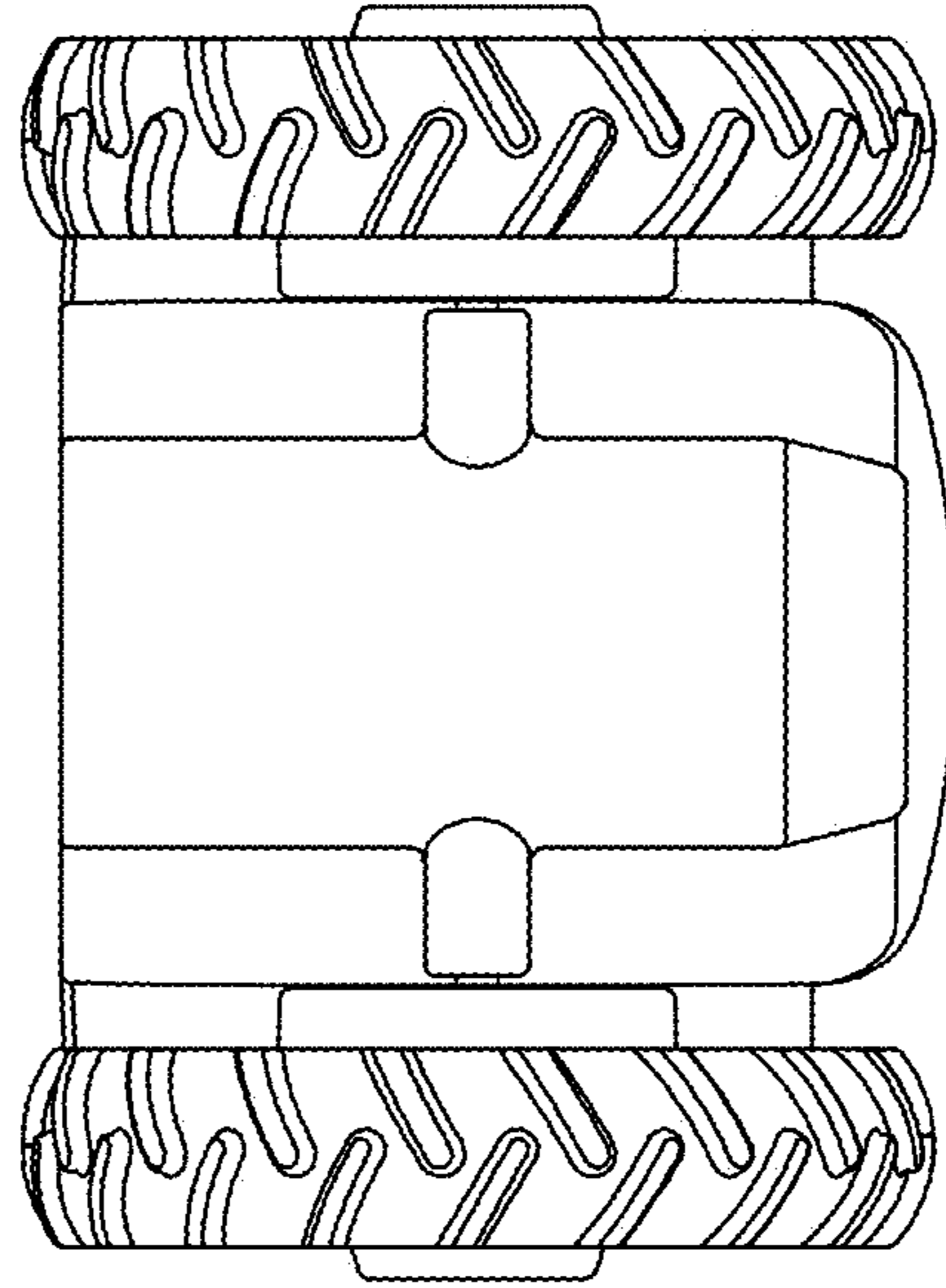


FIG. 21

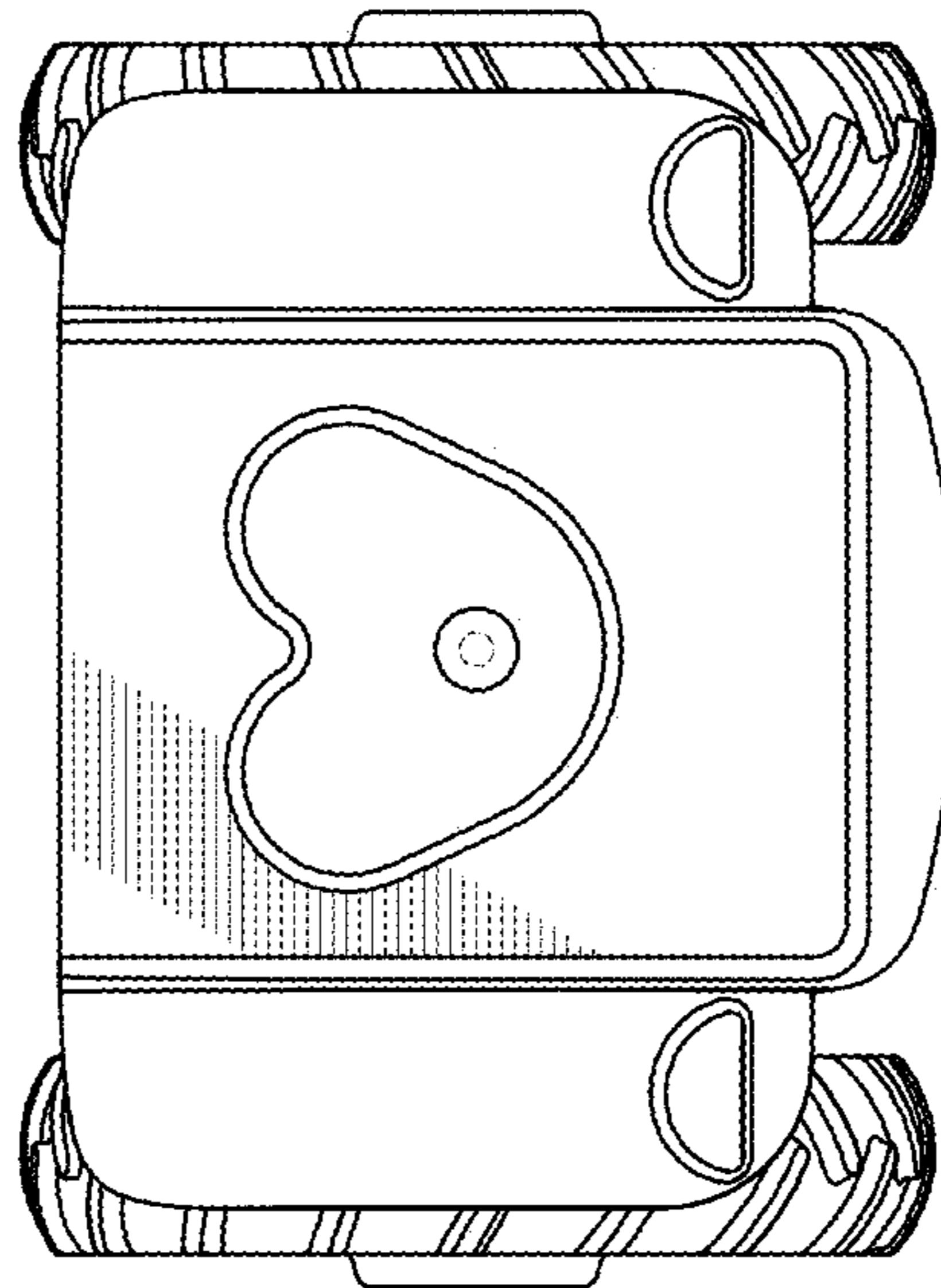


FIG. 22

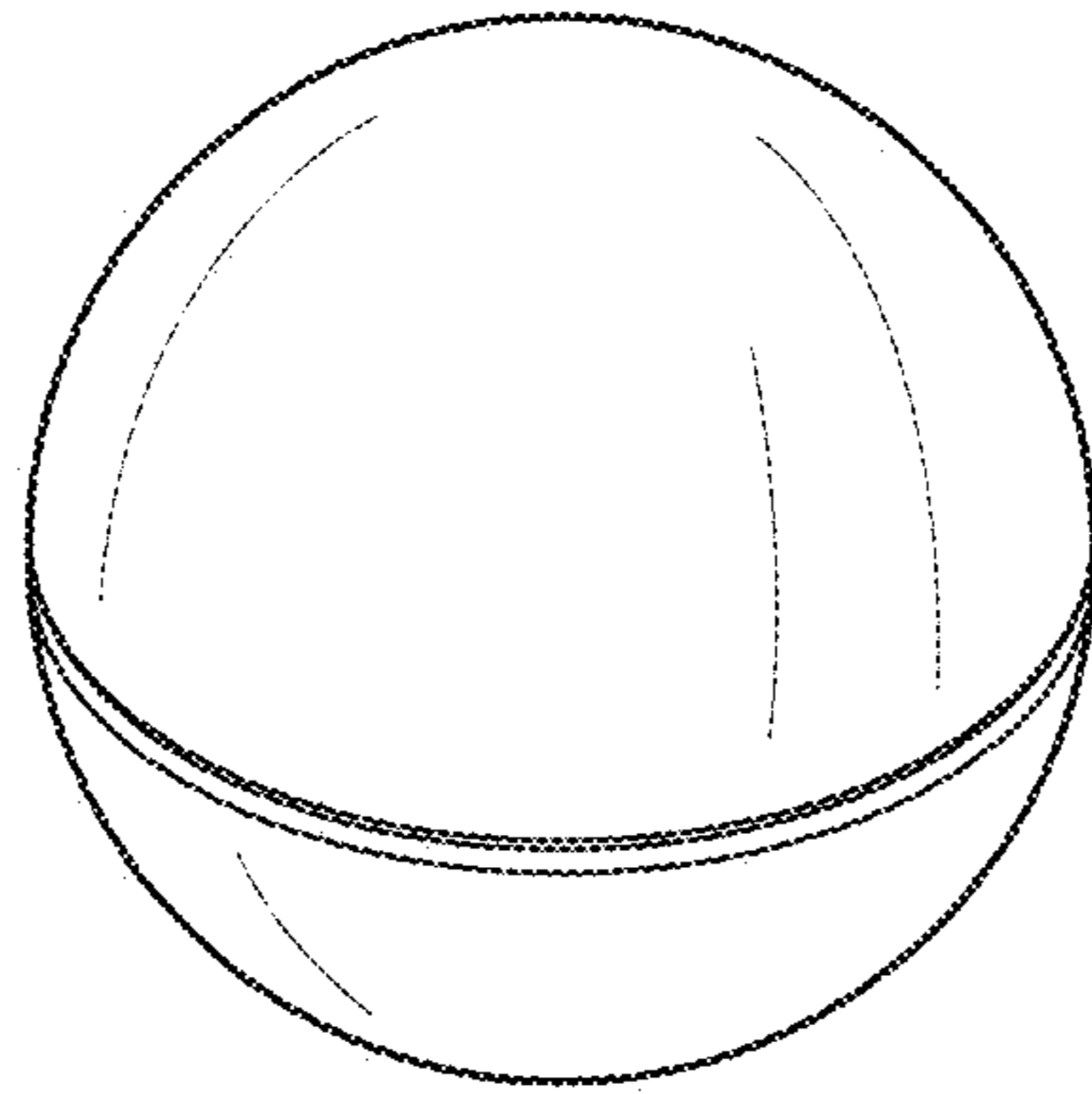


FIG. 23

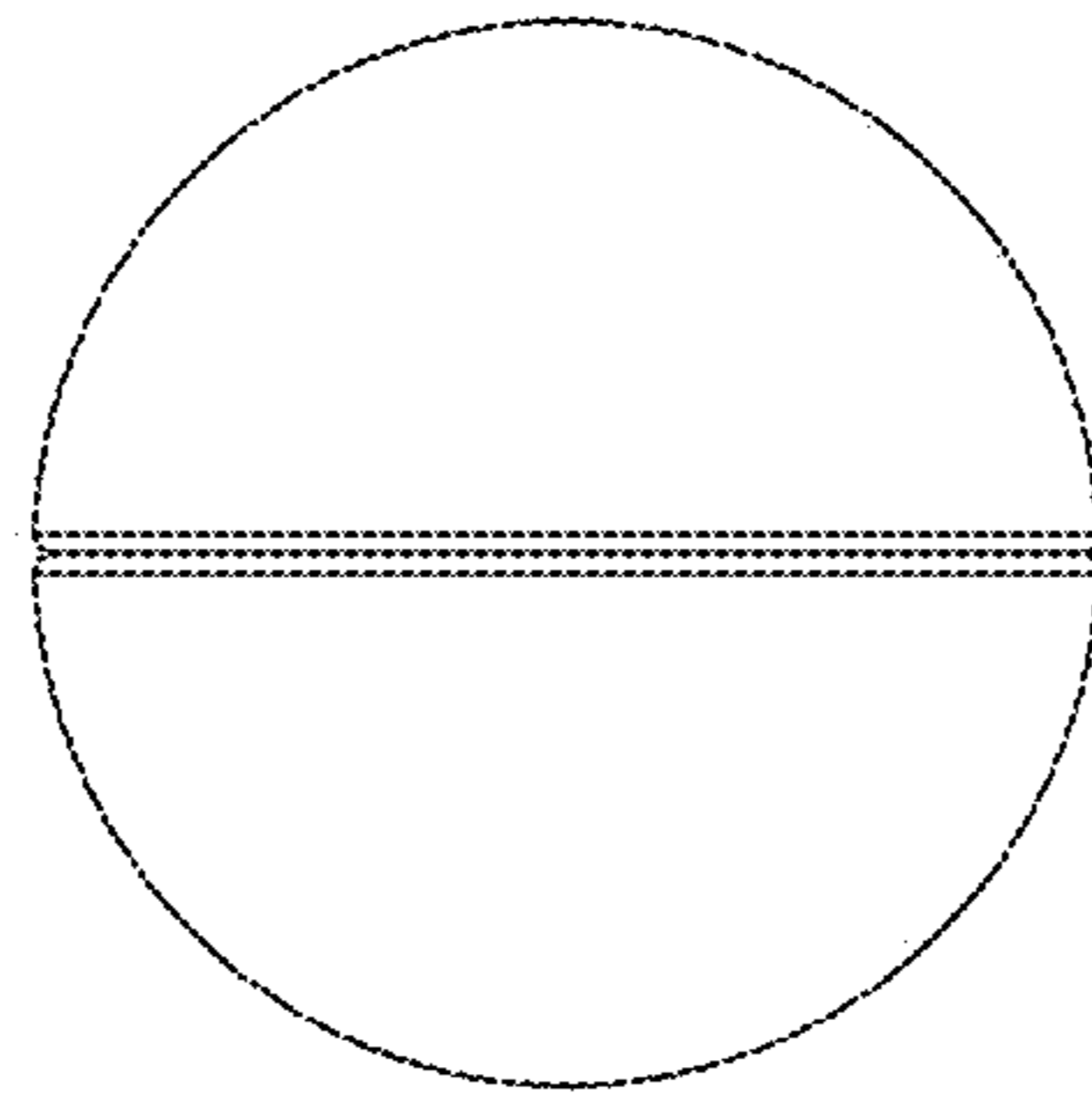


FIG. 24

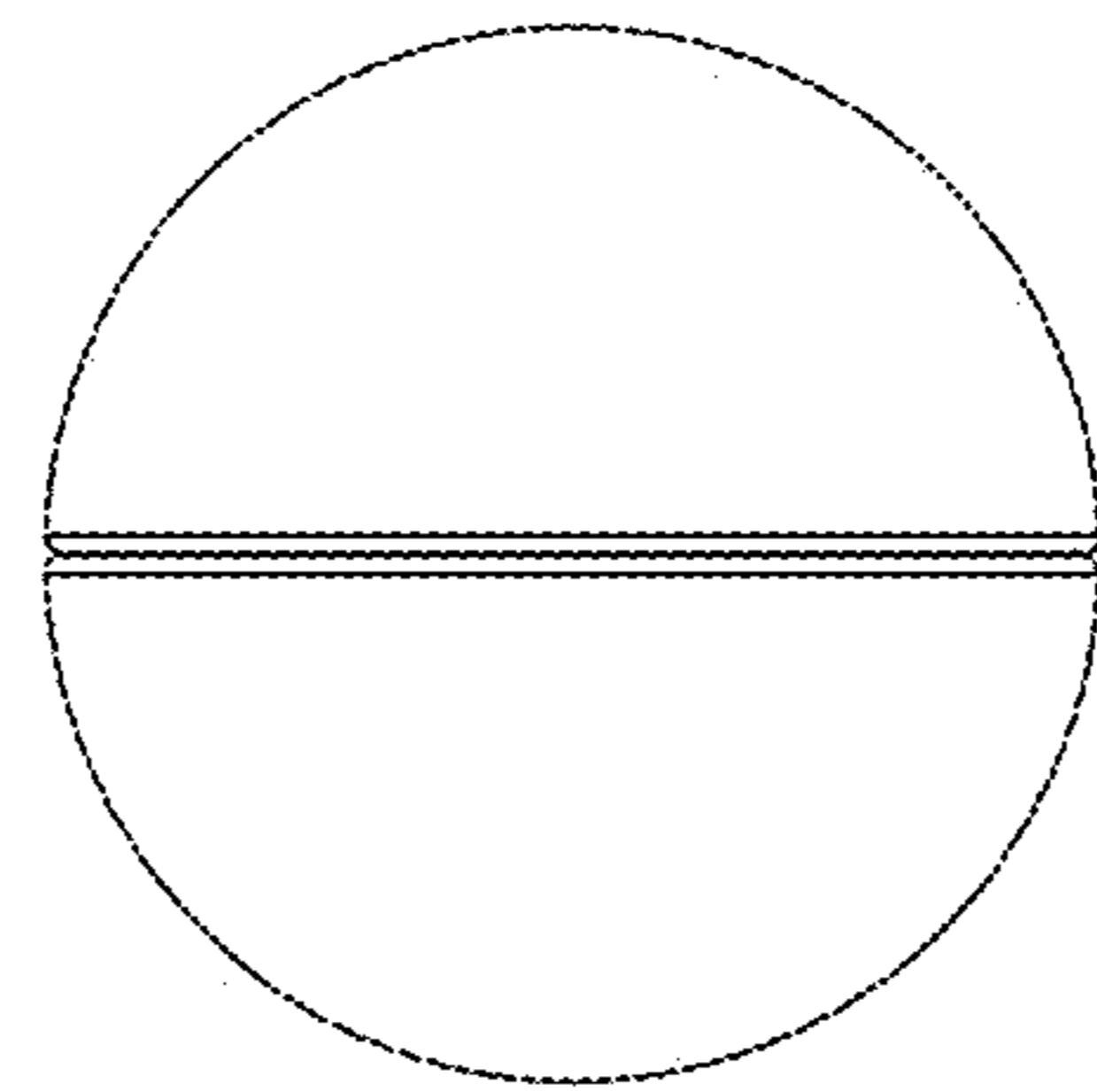


FIG. 25



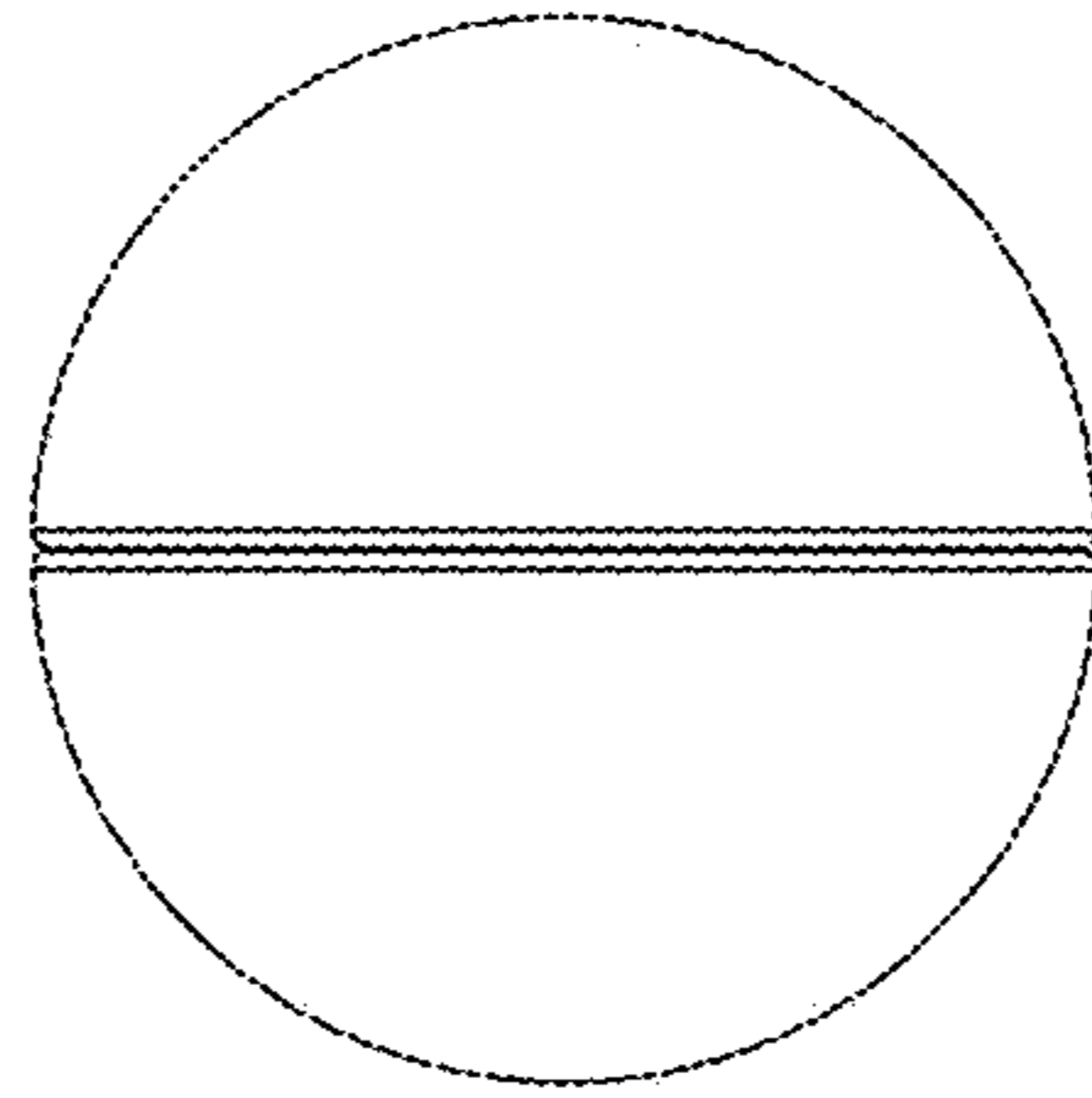


FIG. 26

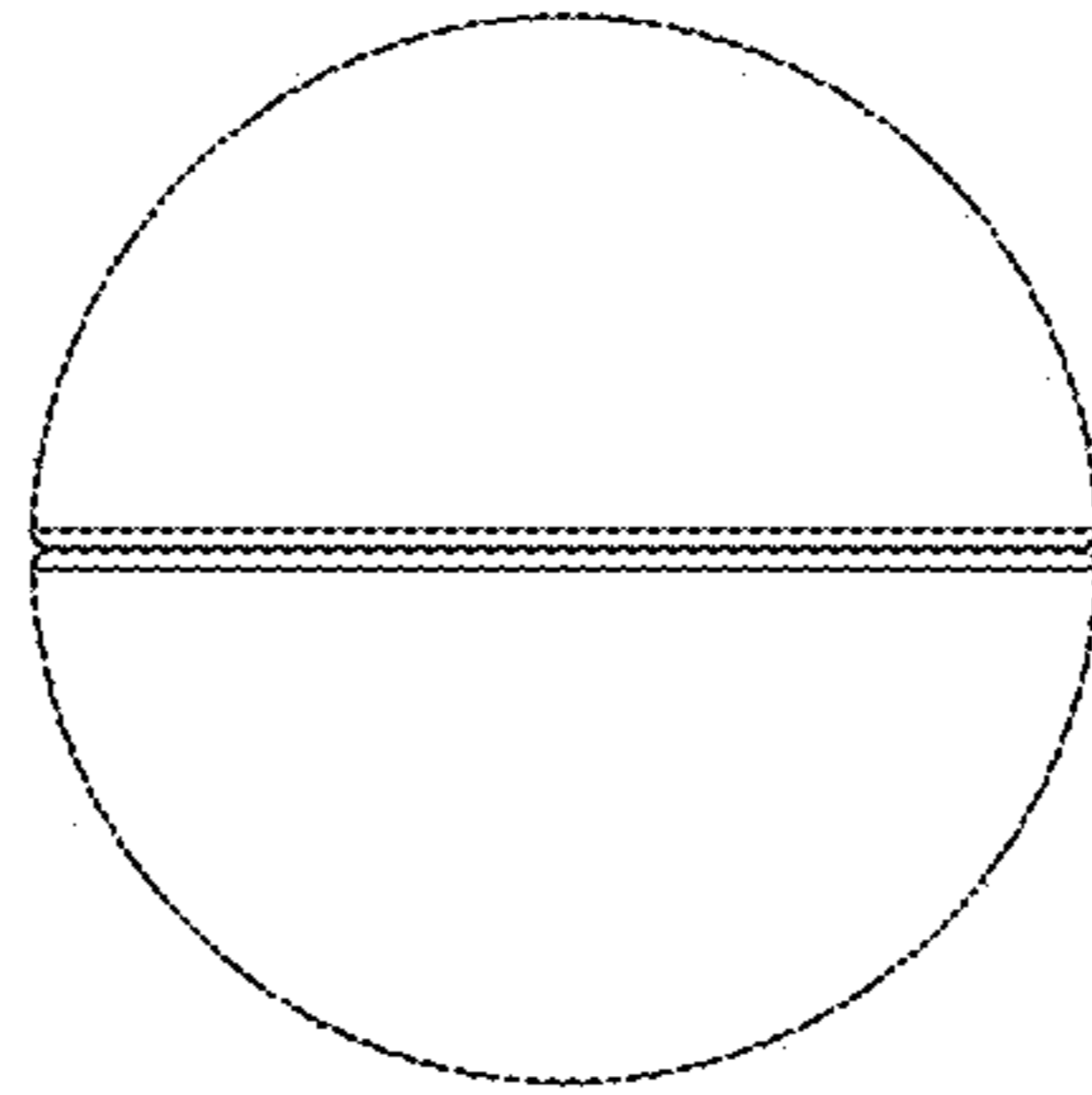


FIG. 27

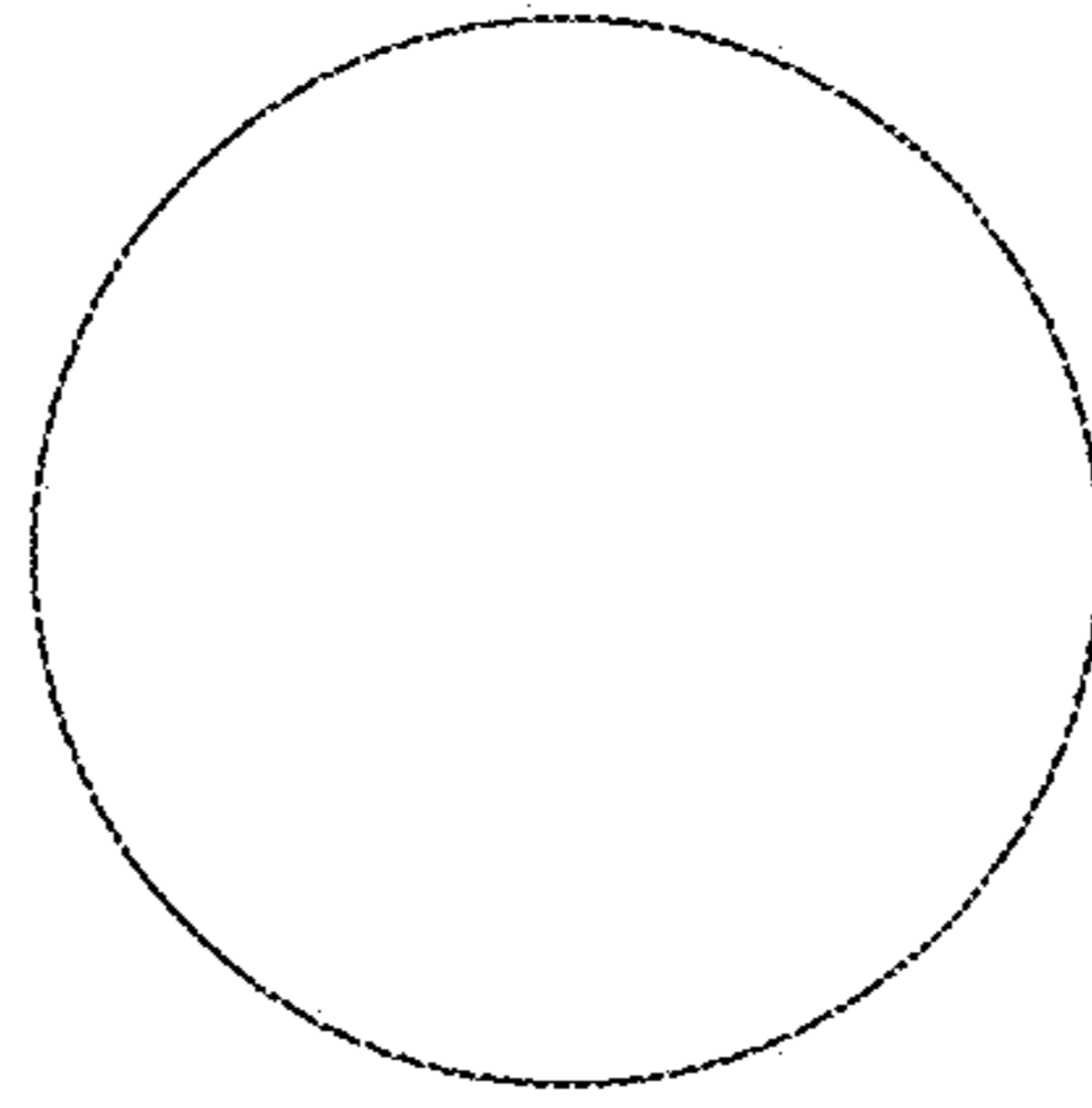


FIG. 28

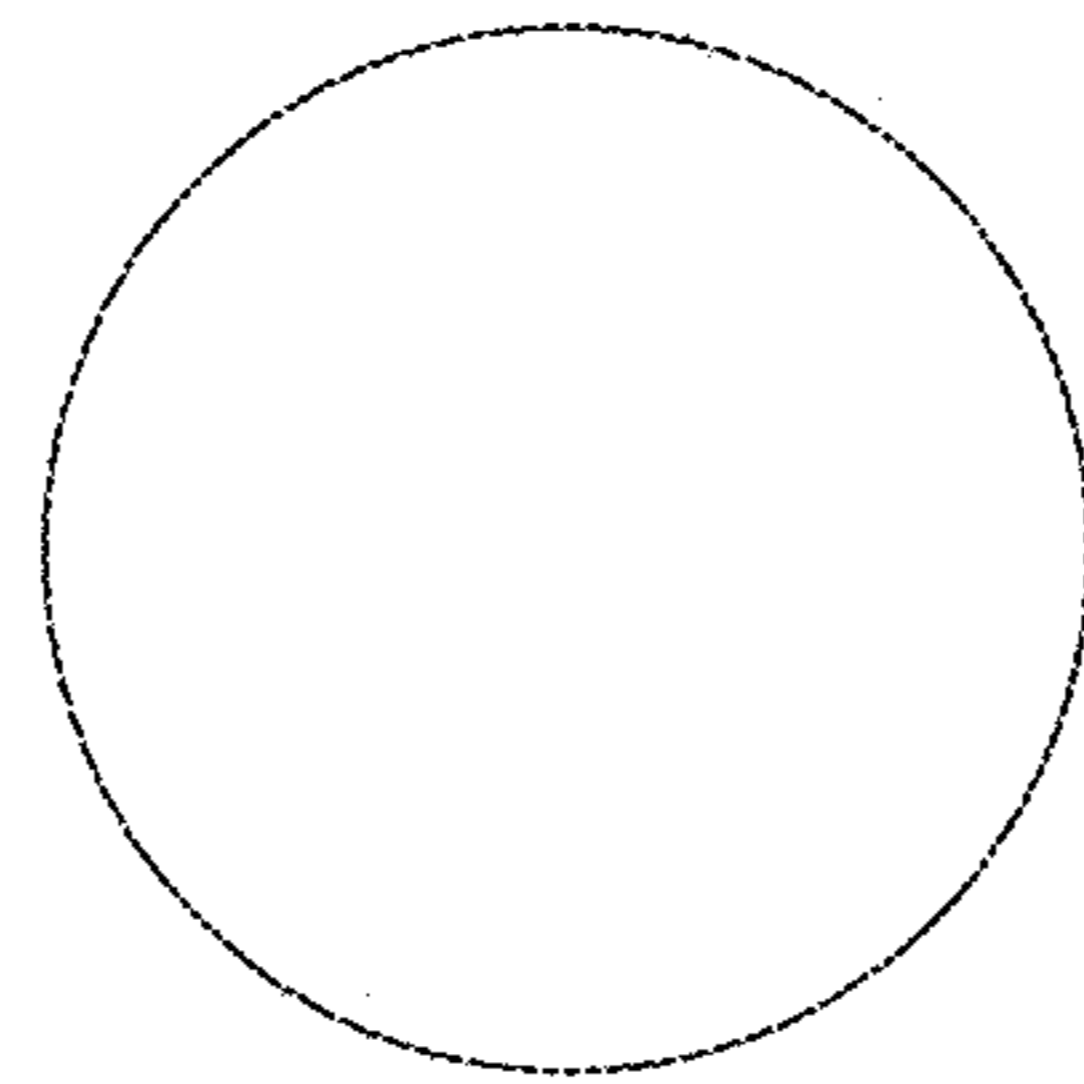


FIG. 29

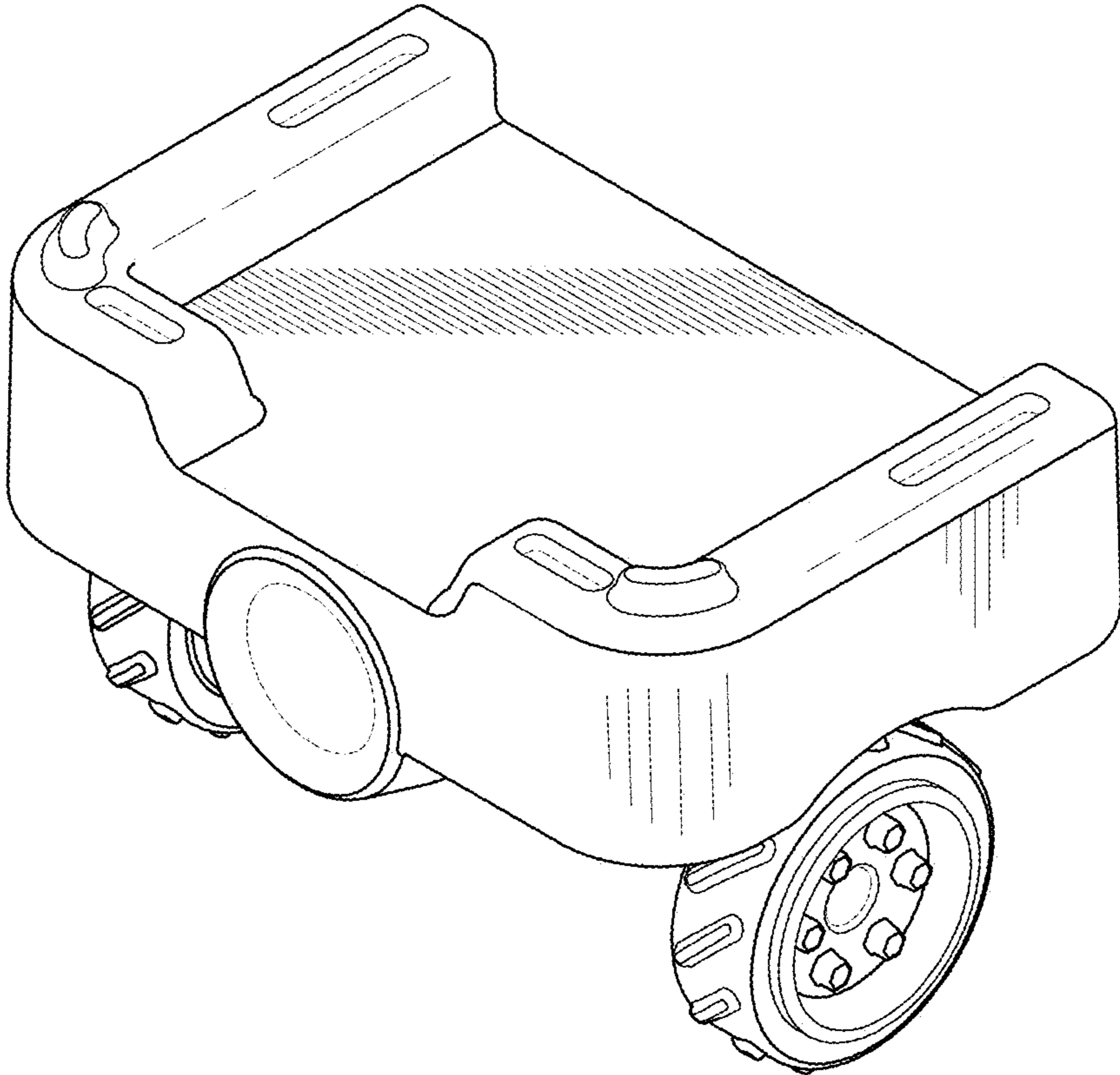


FIG. 30



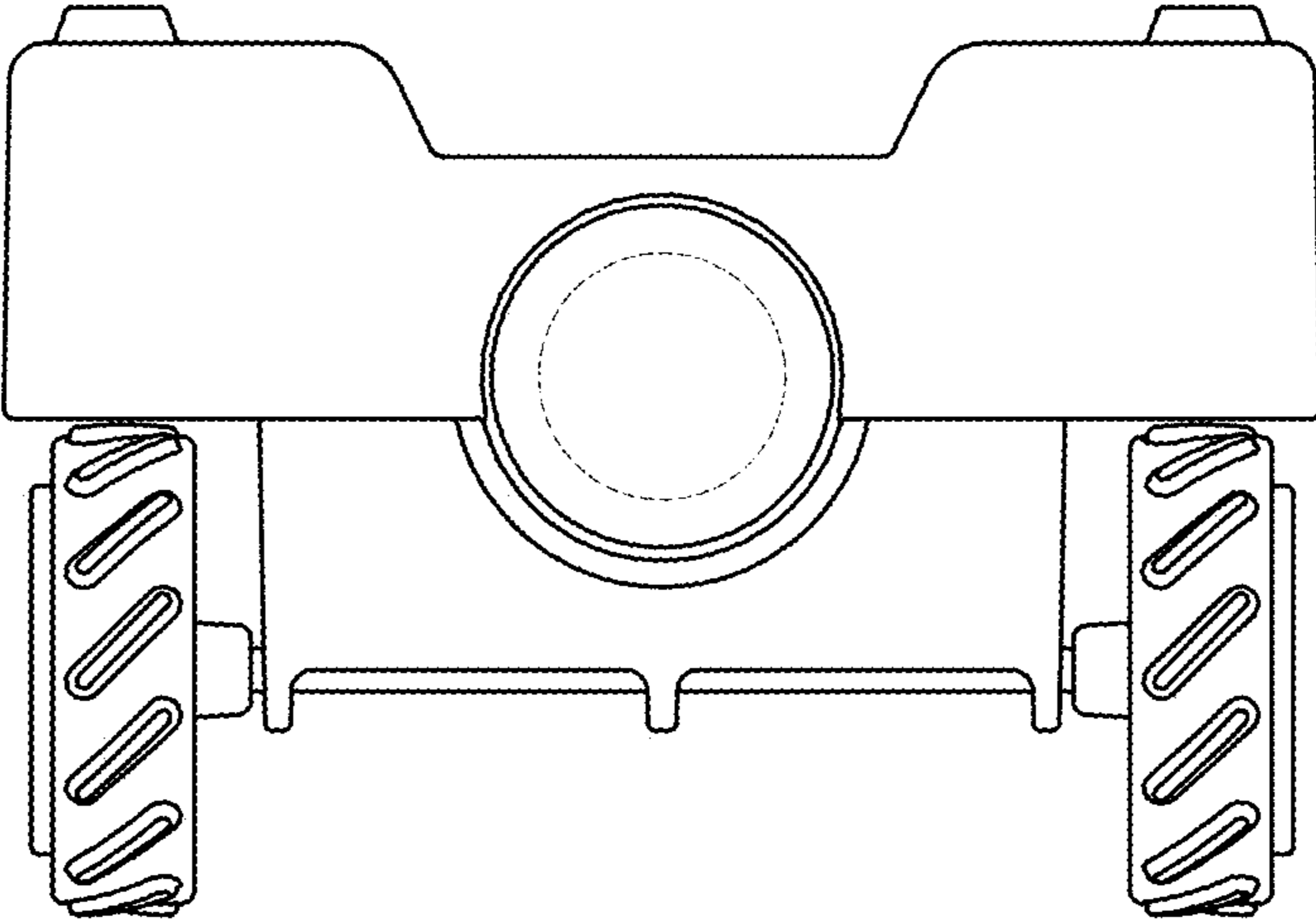


FIG. 31

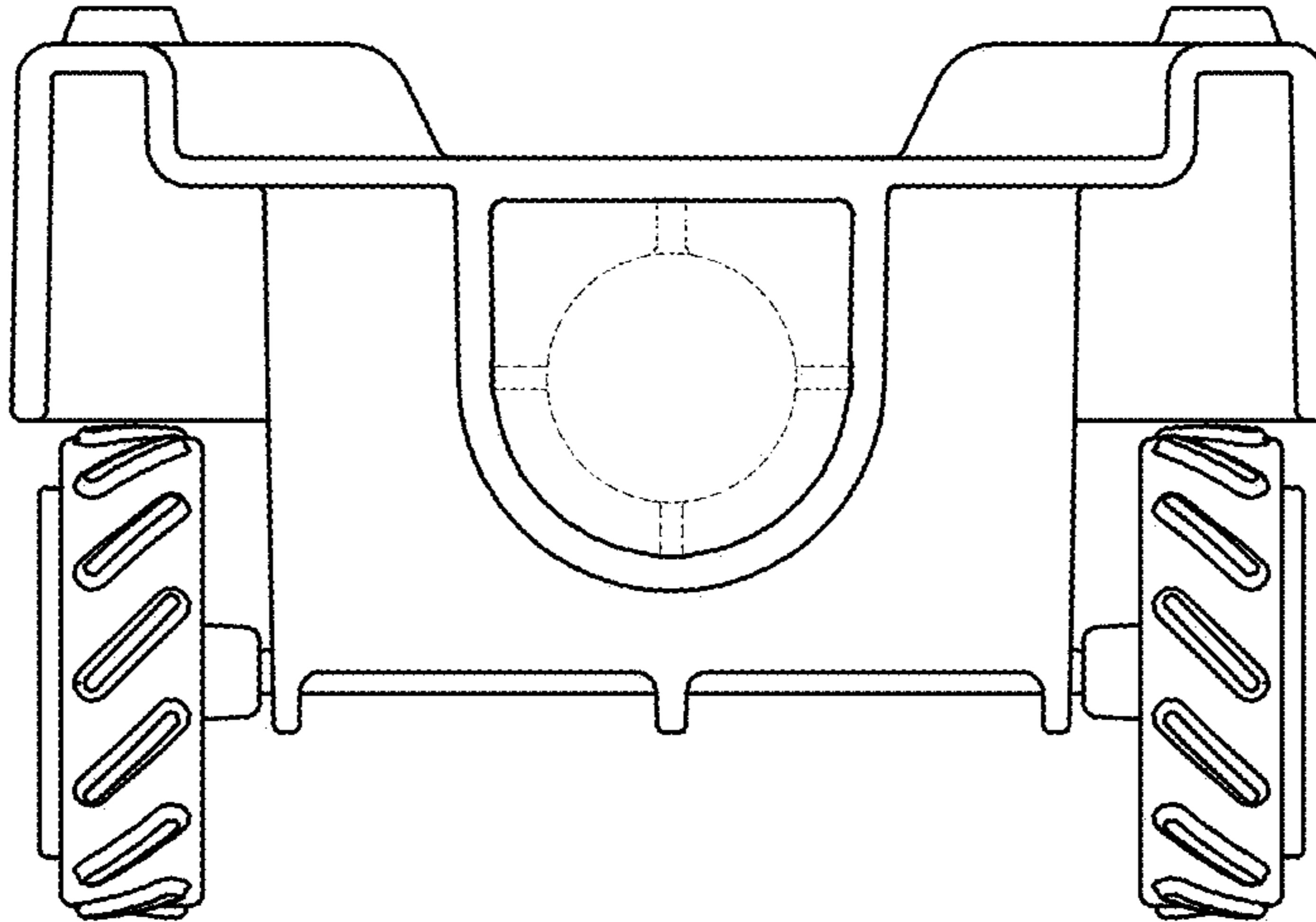


FIG. 32

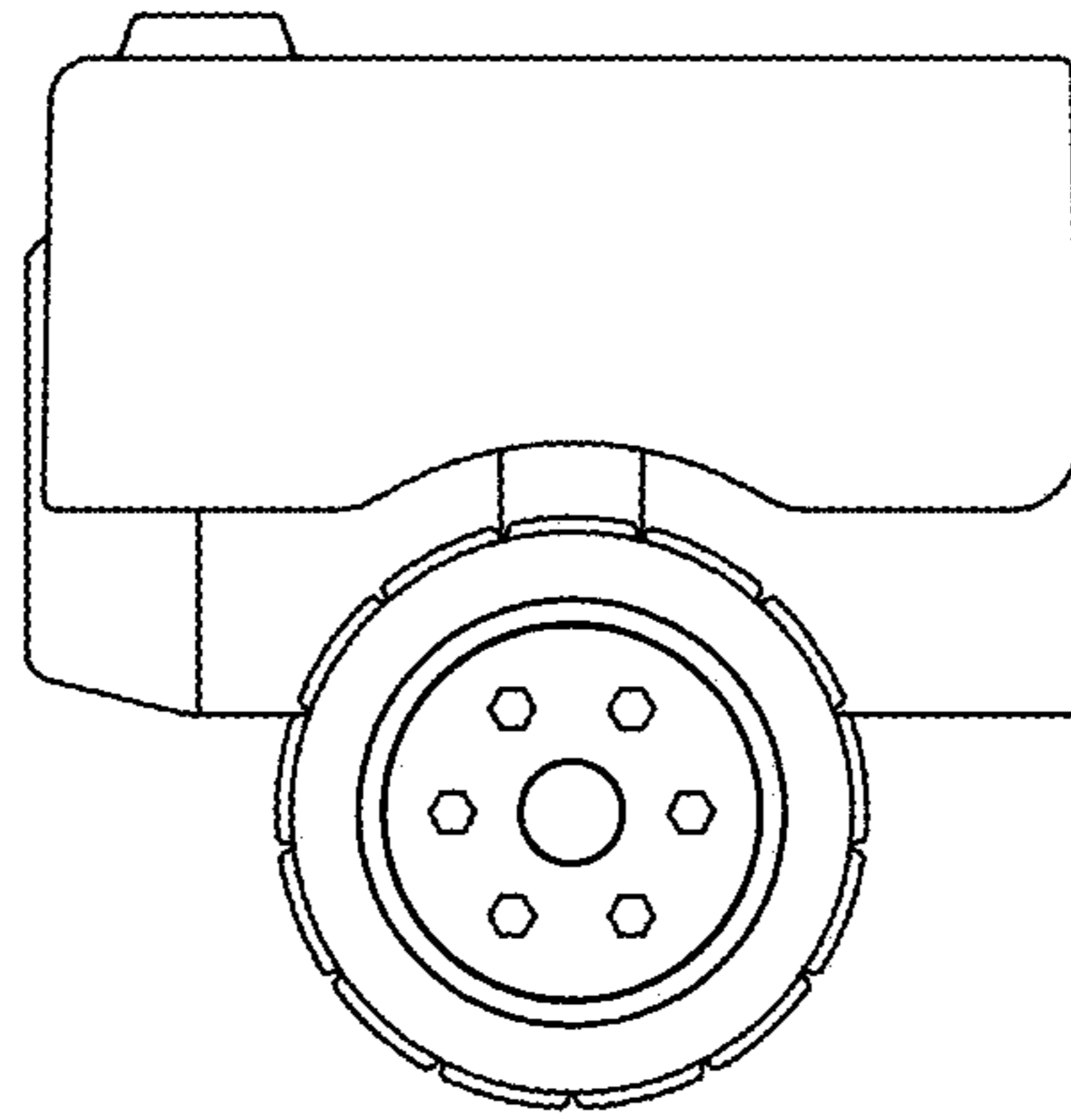


FIG. 33

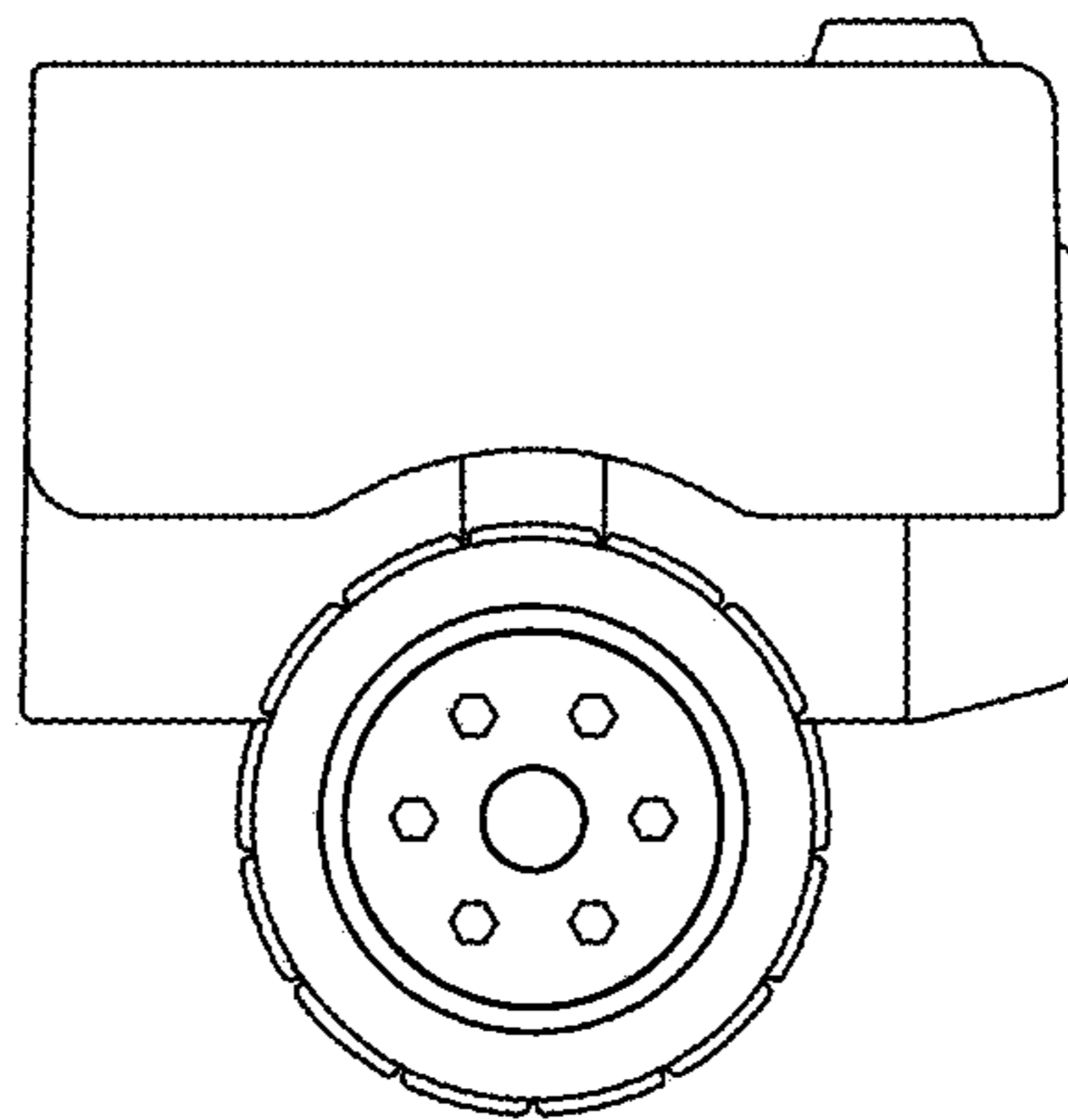


FIG. 34

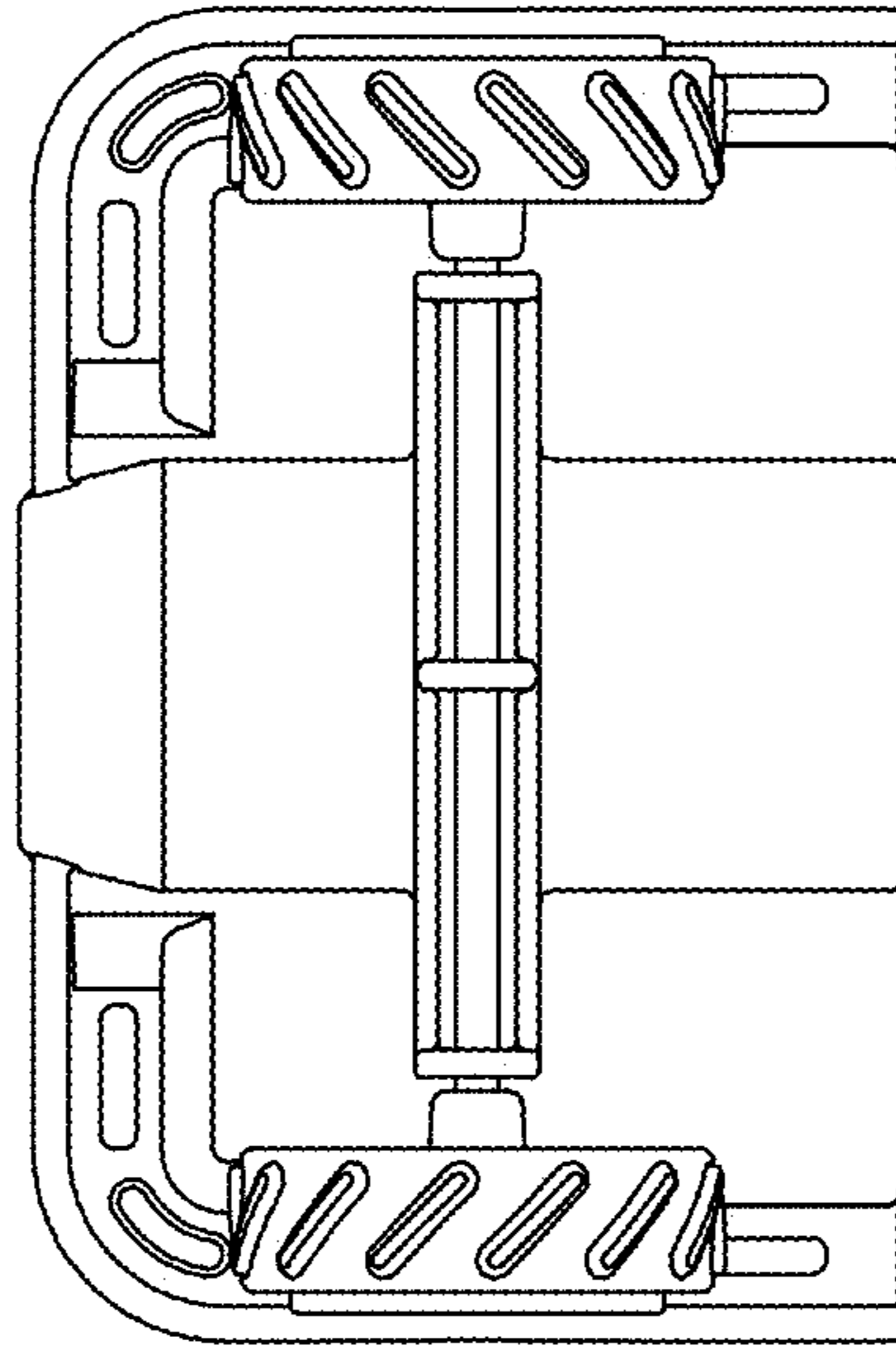


FIG. 35

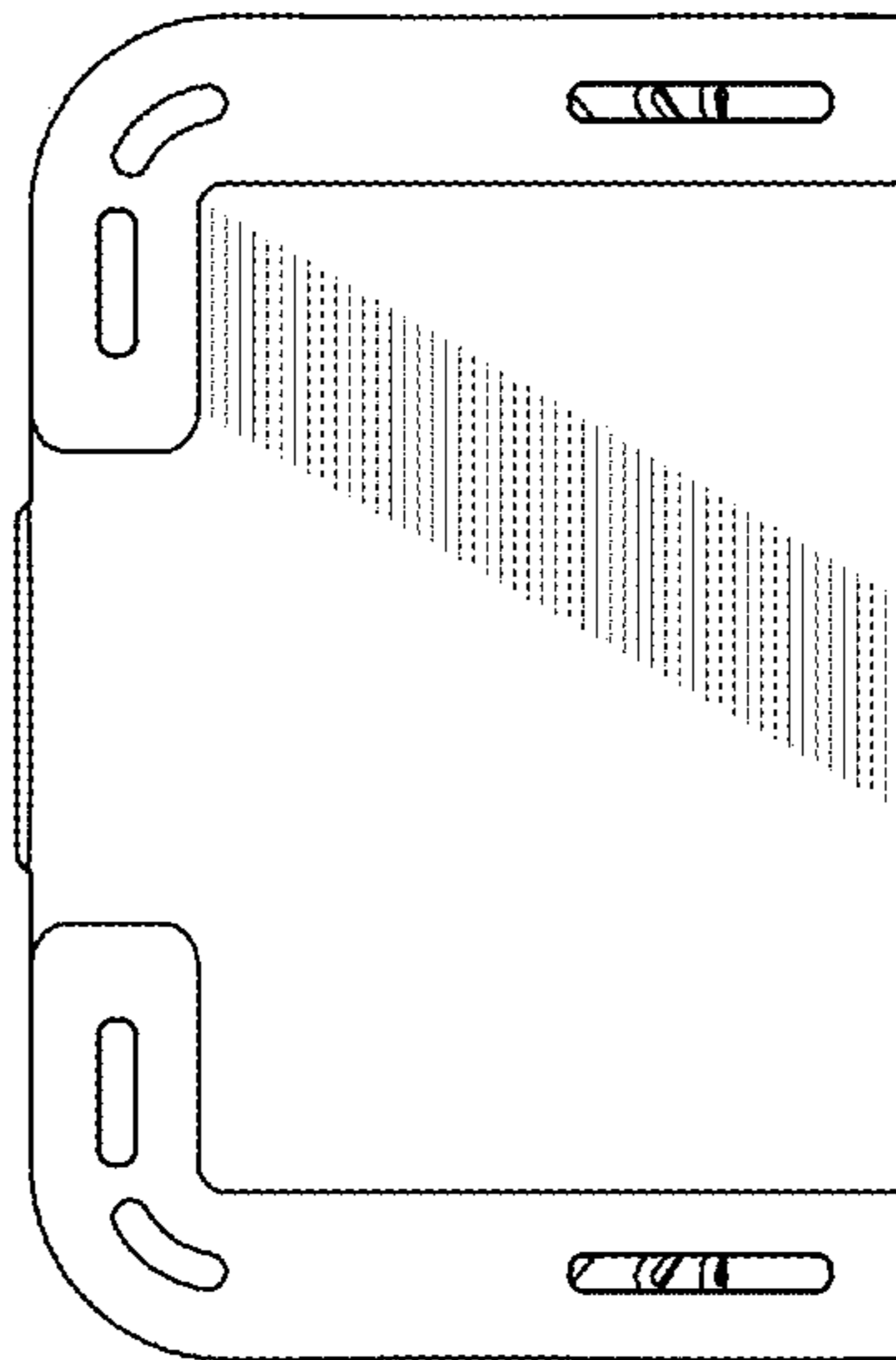


FIG. 36

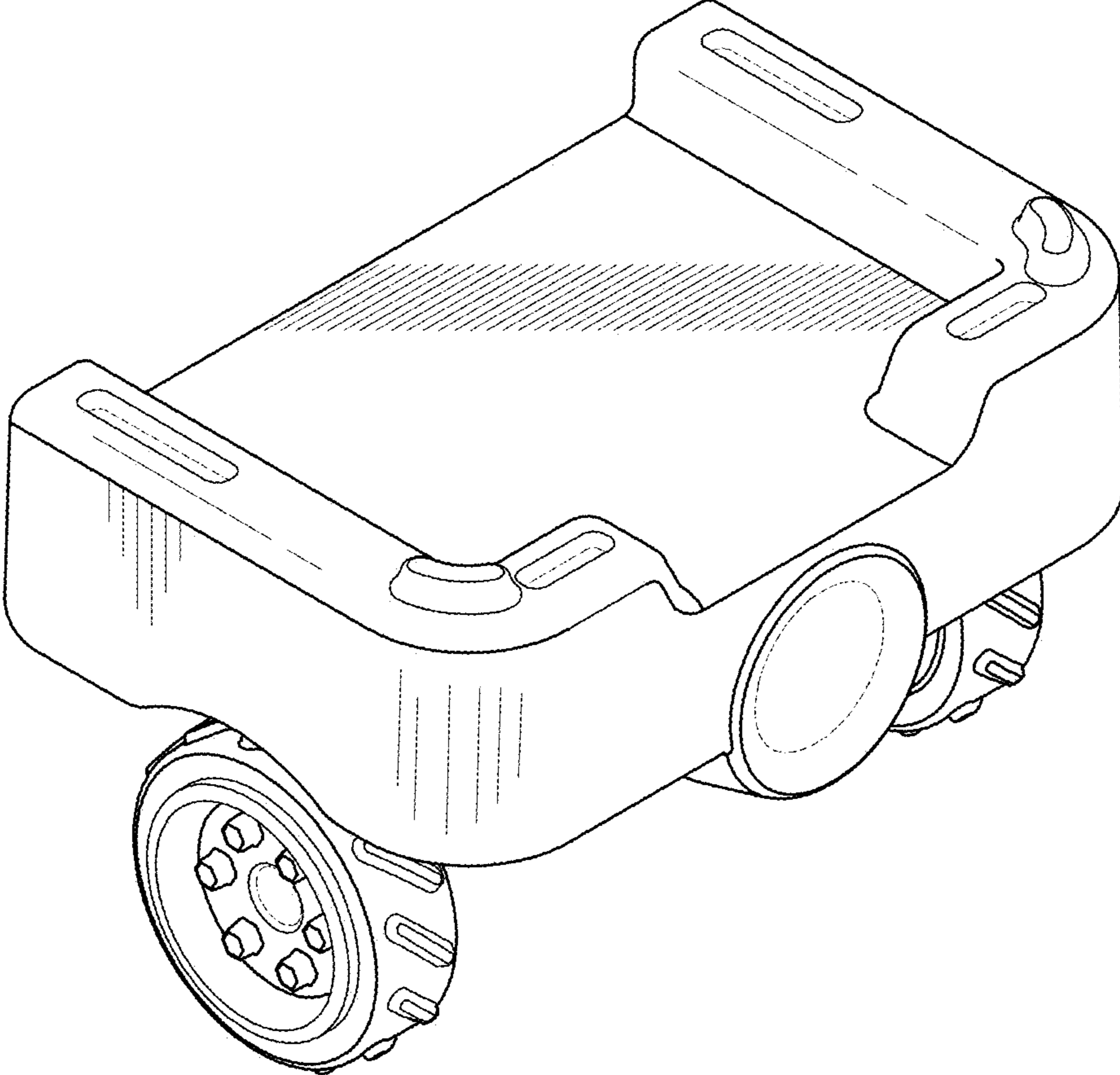


FIG. 37



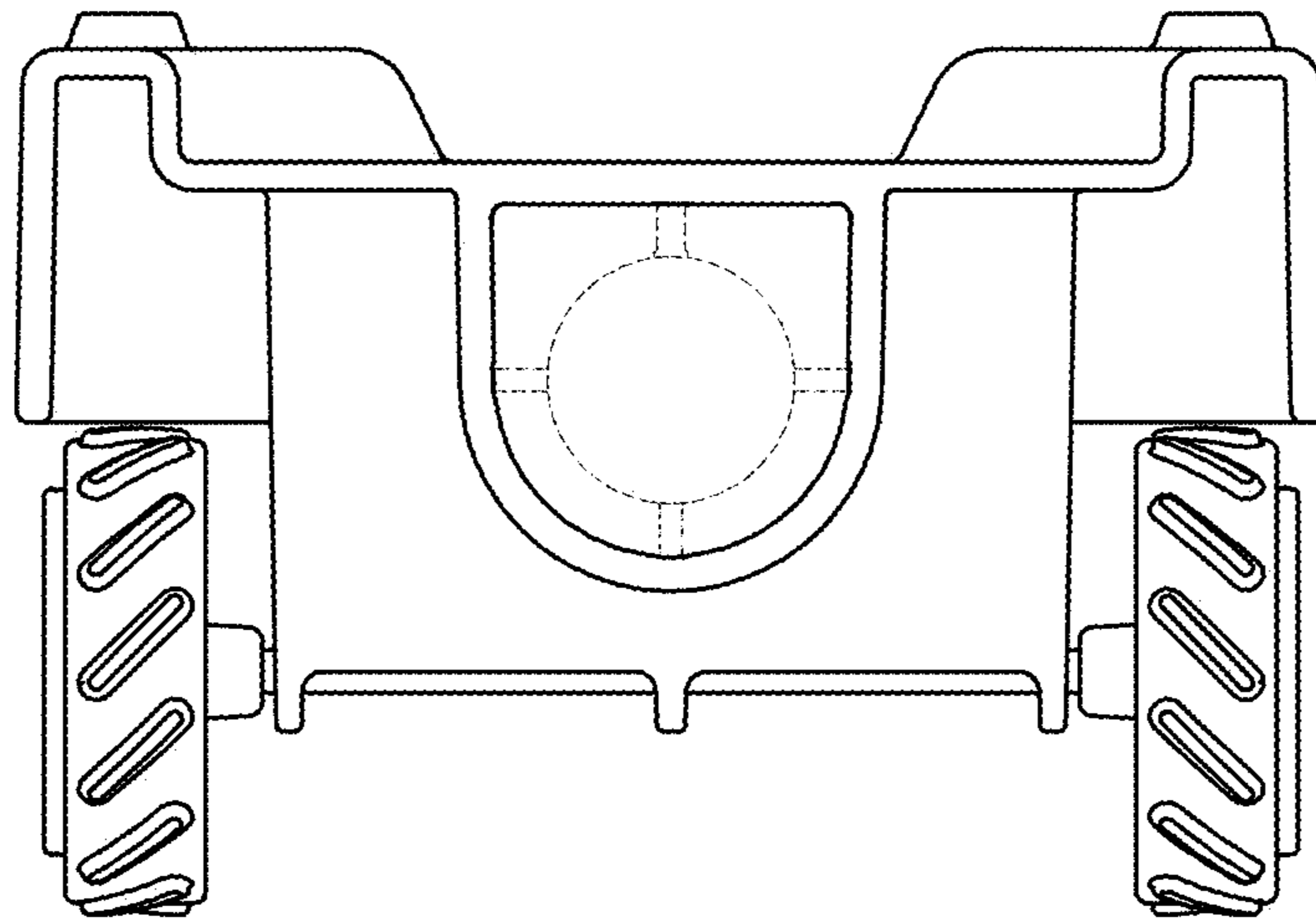


FIG. 38

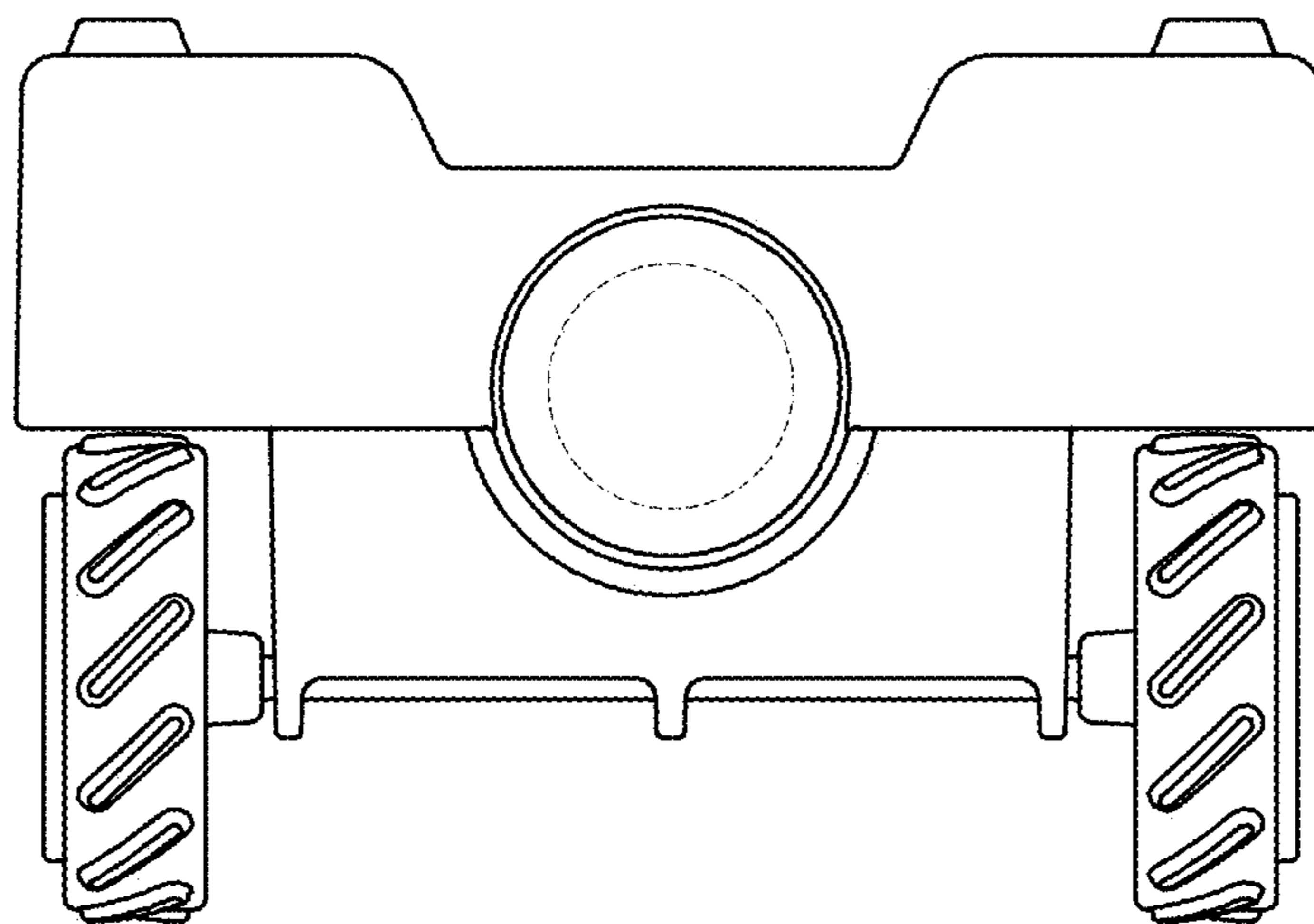


FIG. 39

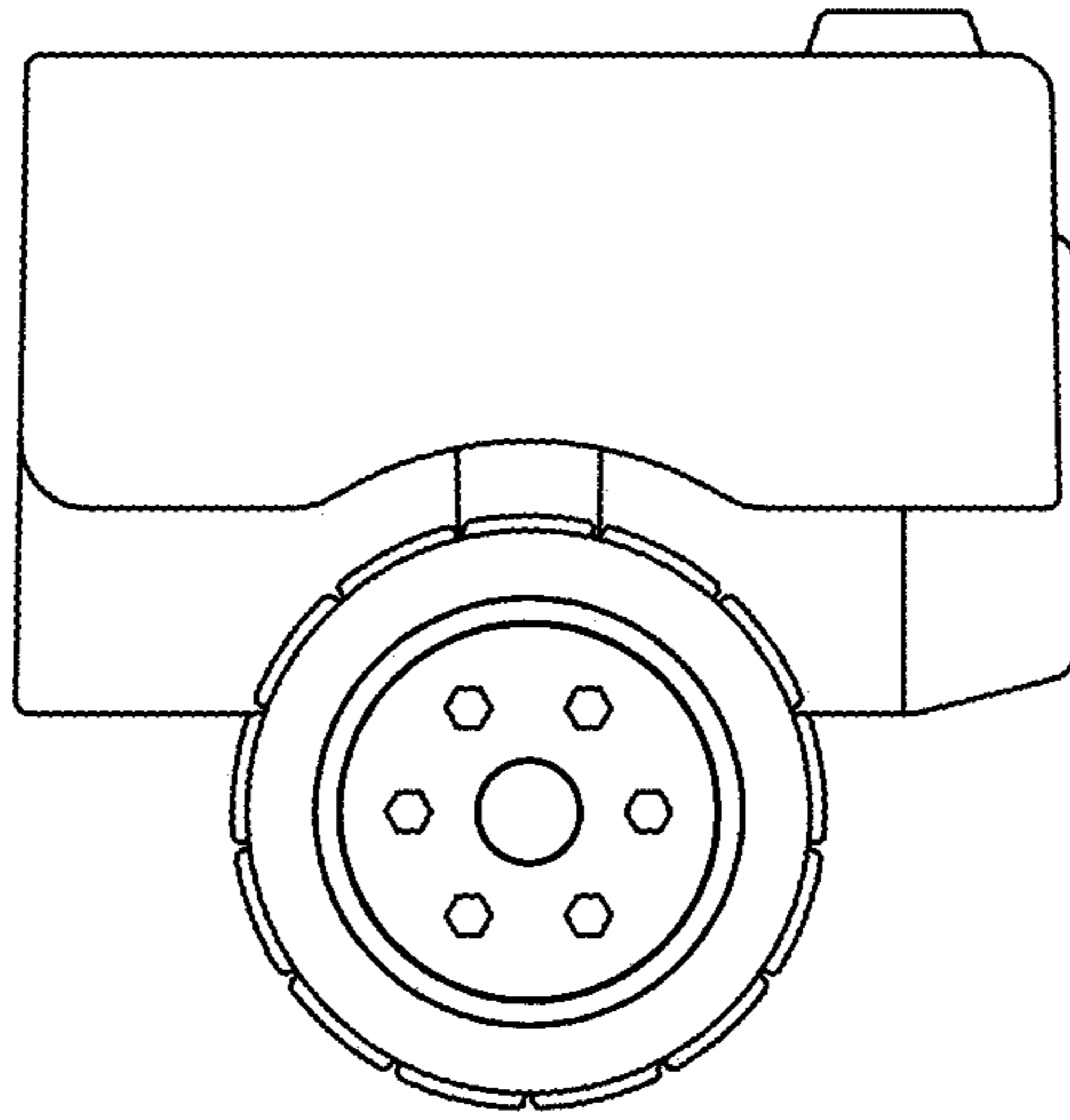


FIG. 40

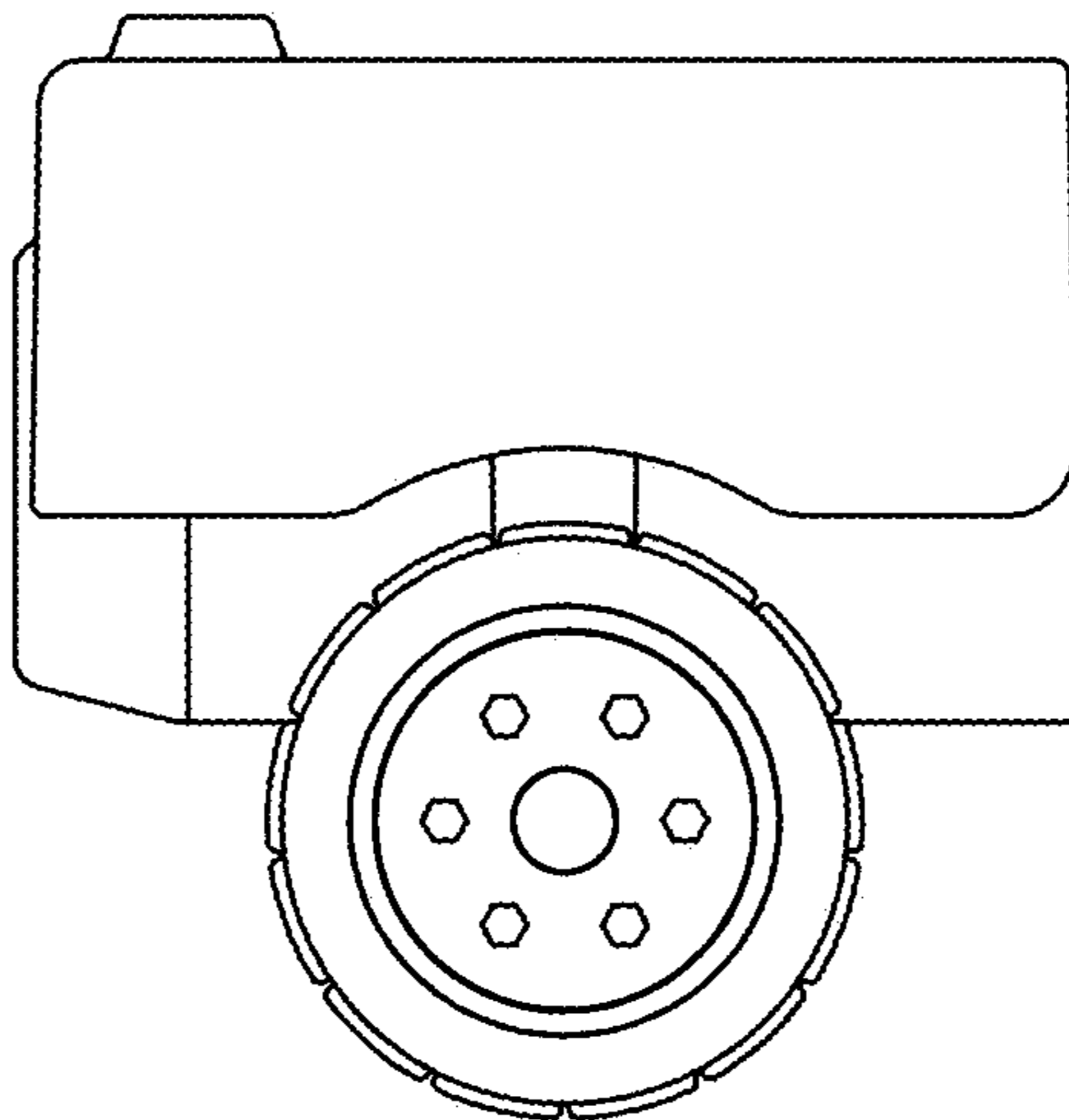


FIG. 41

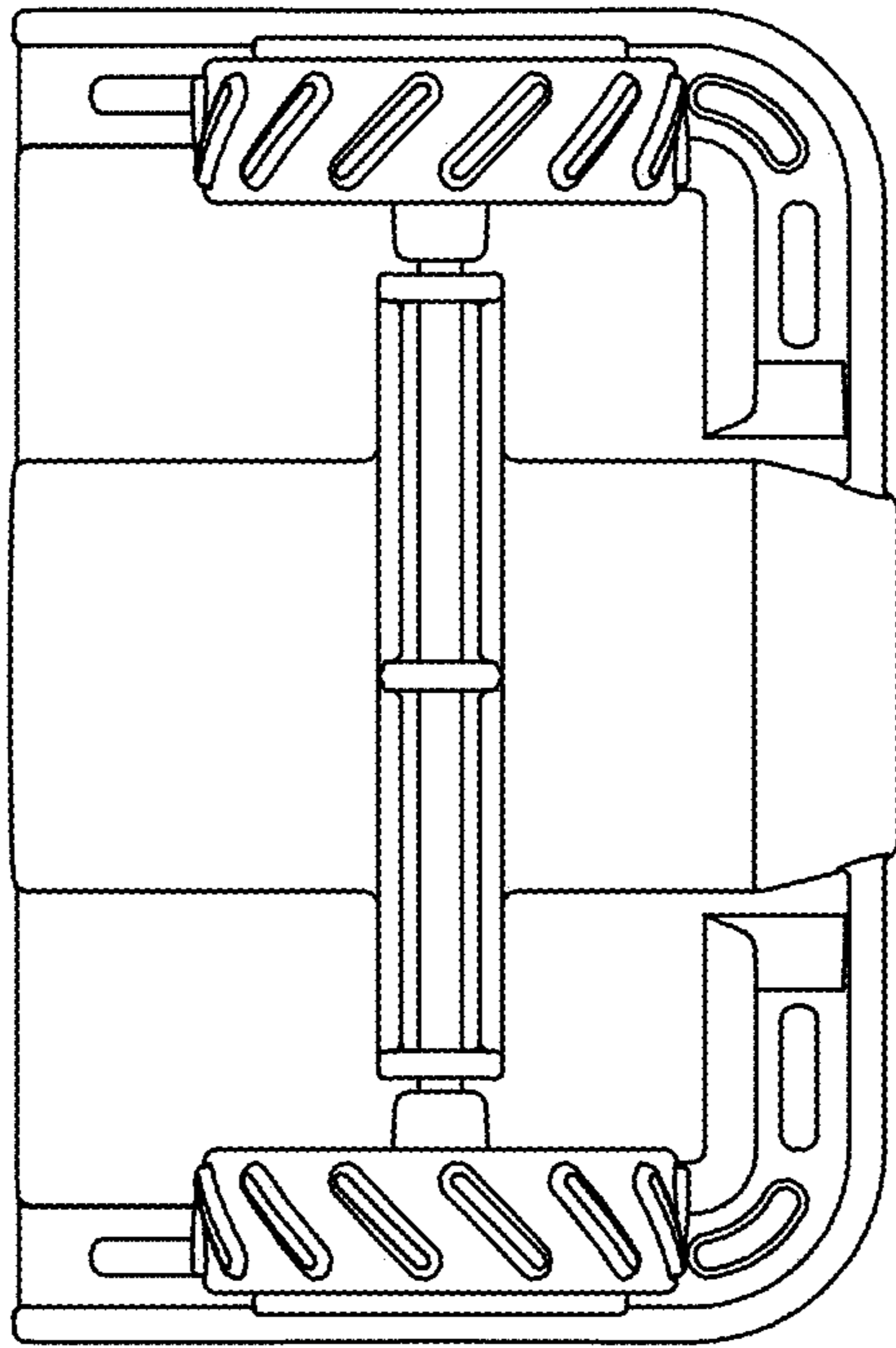


FIG. 42

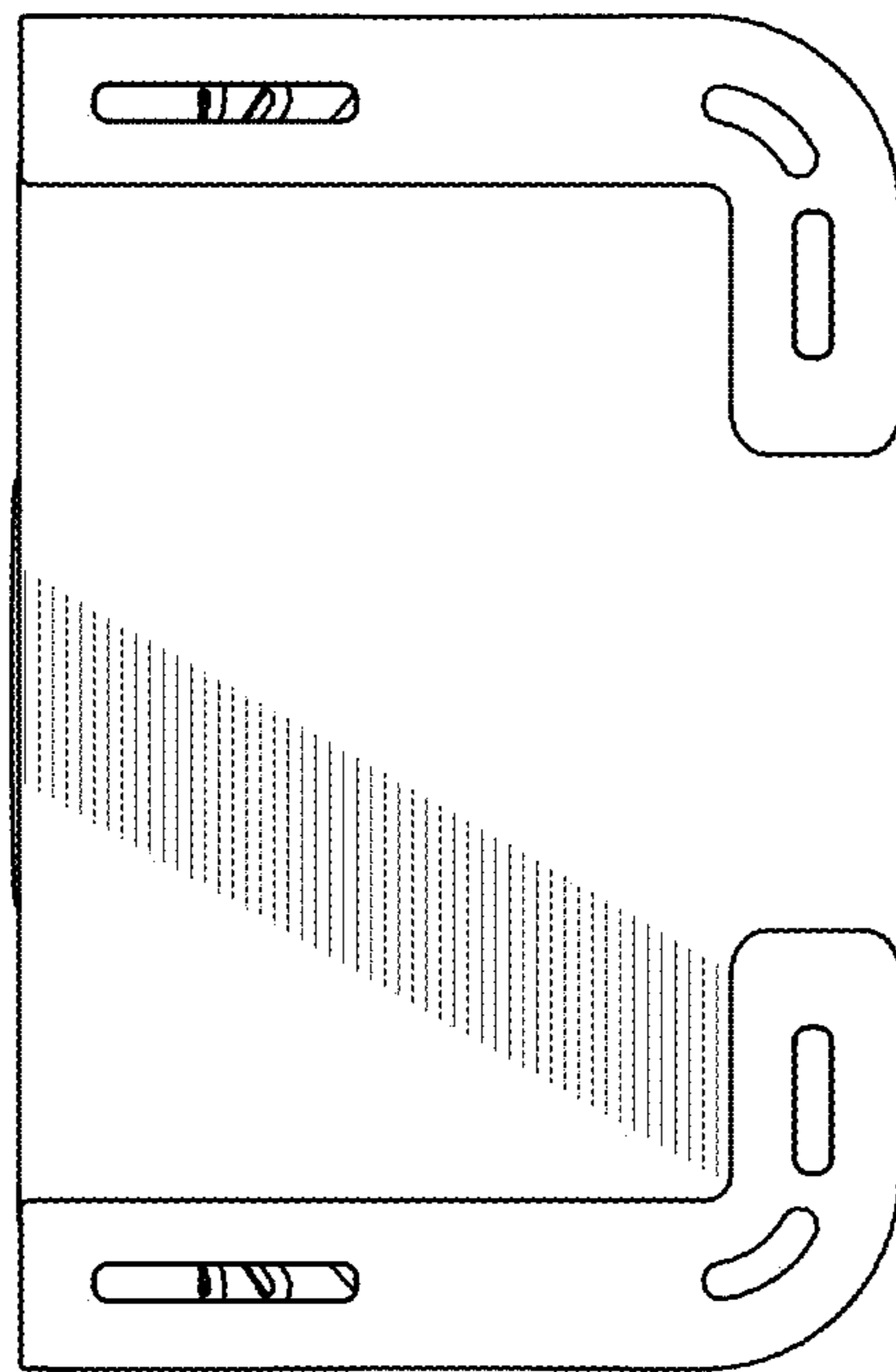


FIG. 43

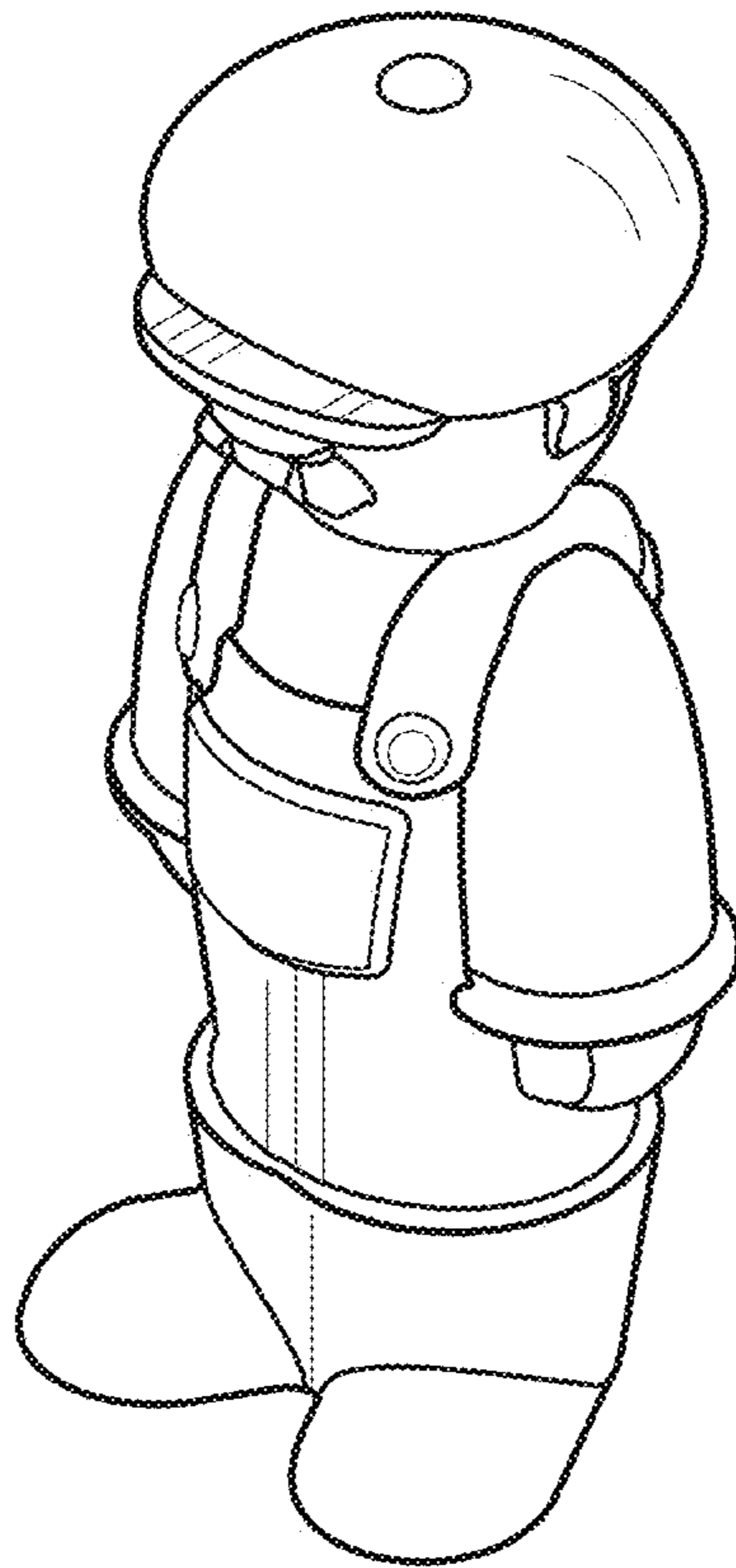


FIG. 44

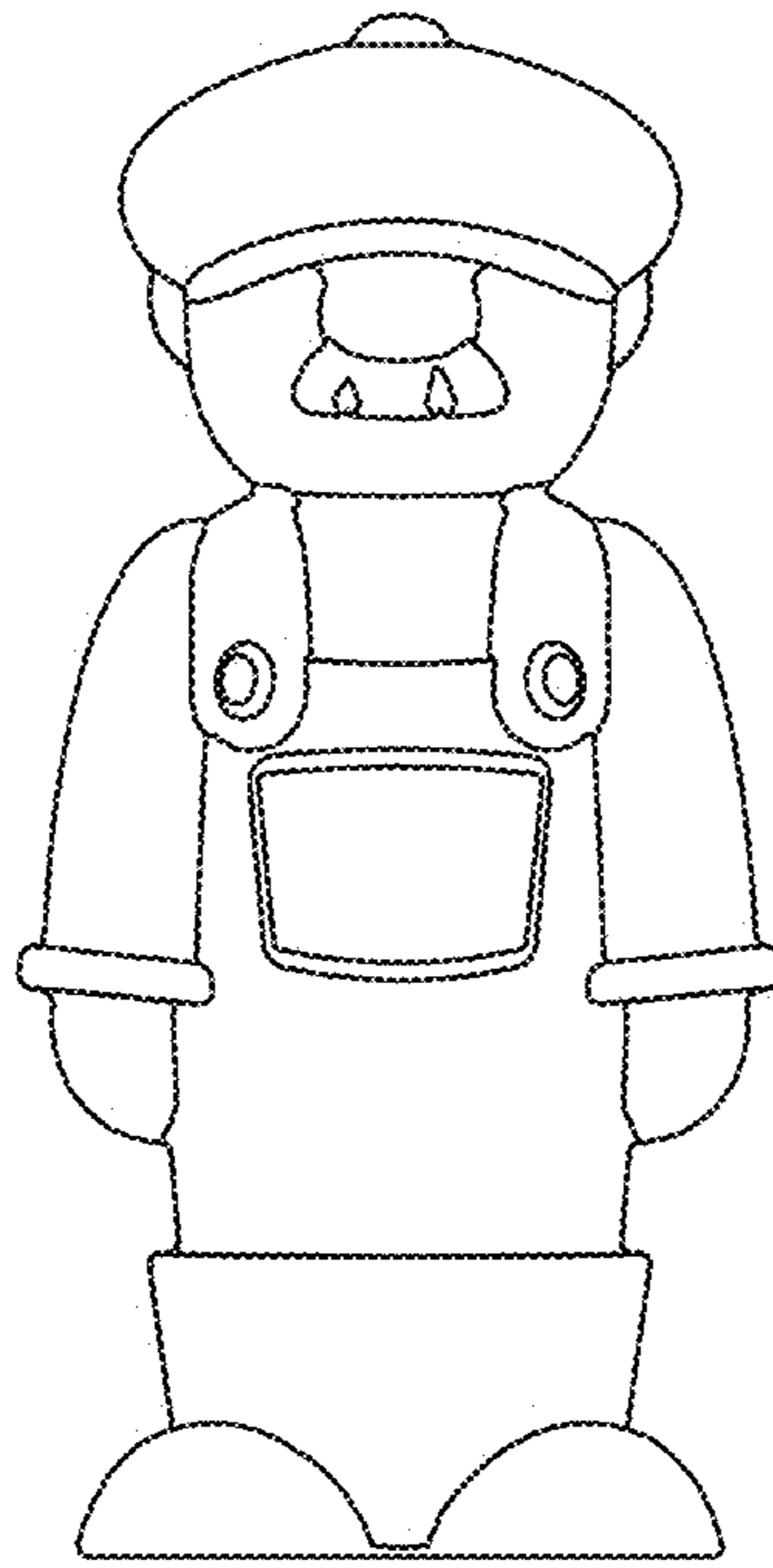


FIG. 45

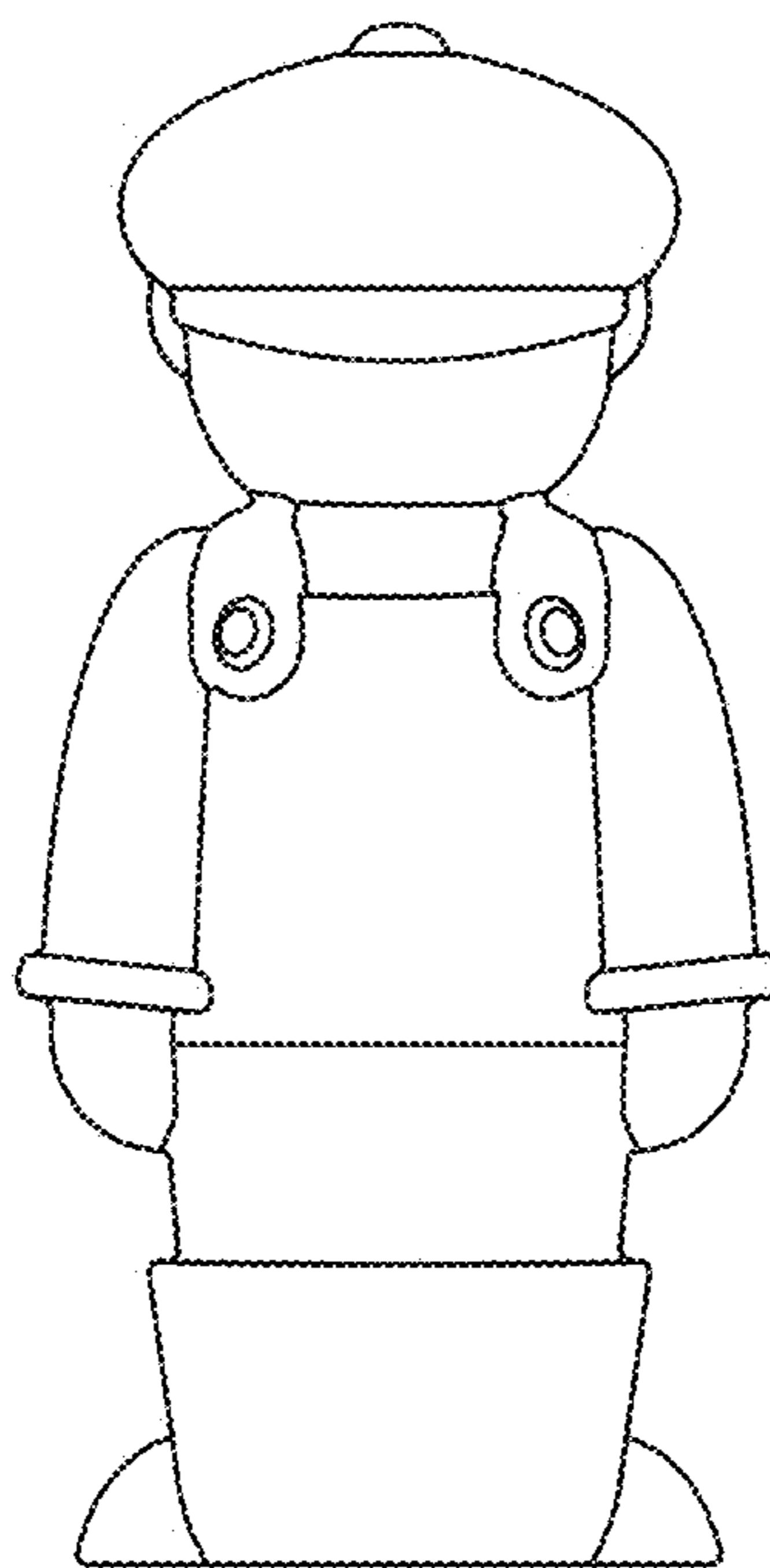


FIG. 46



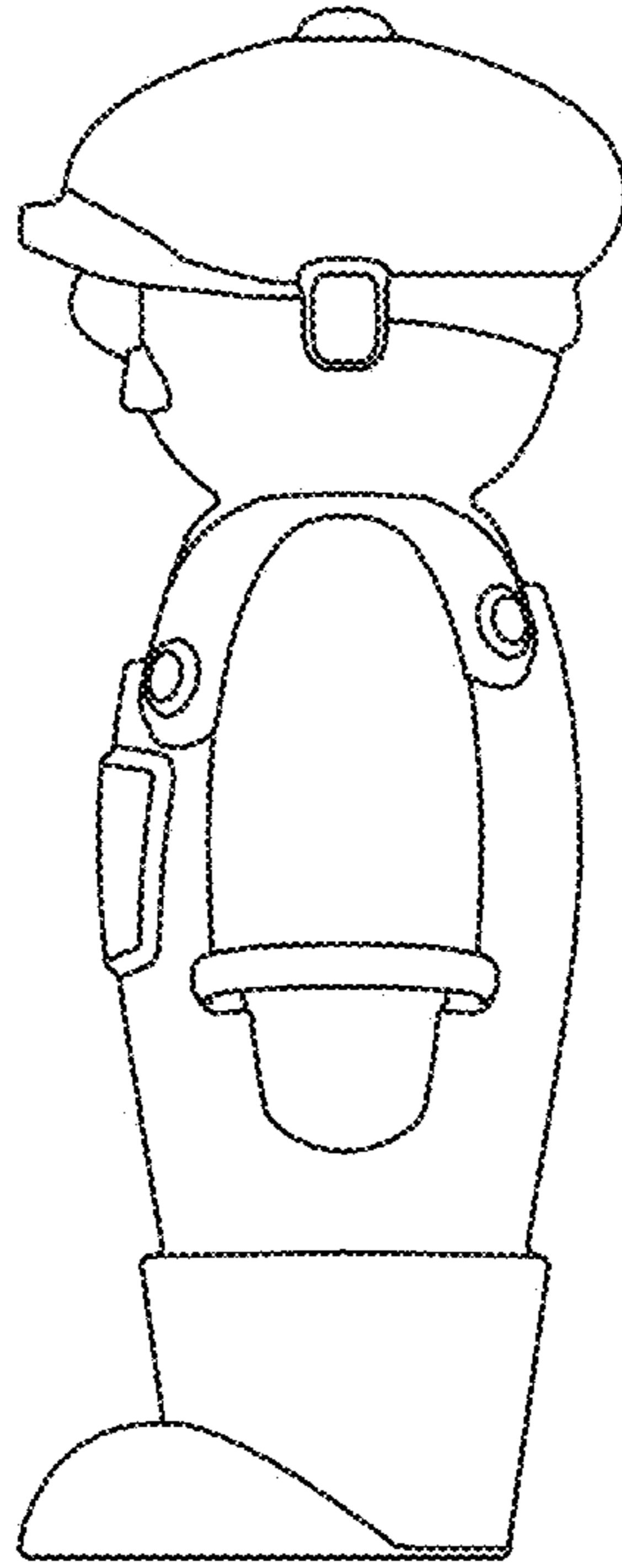


FIG. 47

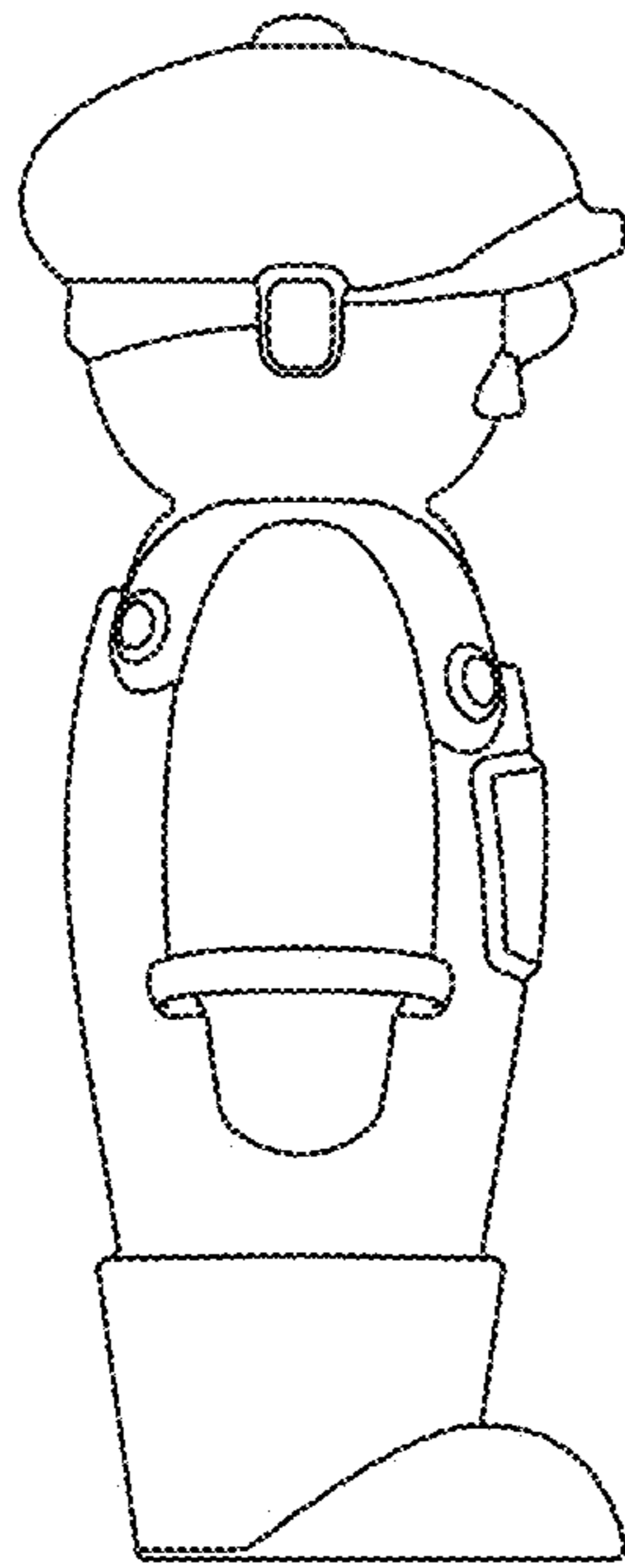


FIG. 48

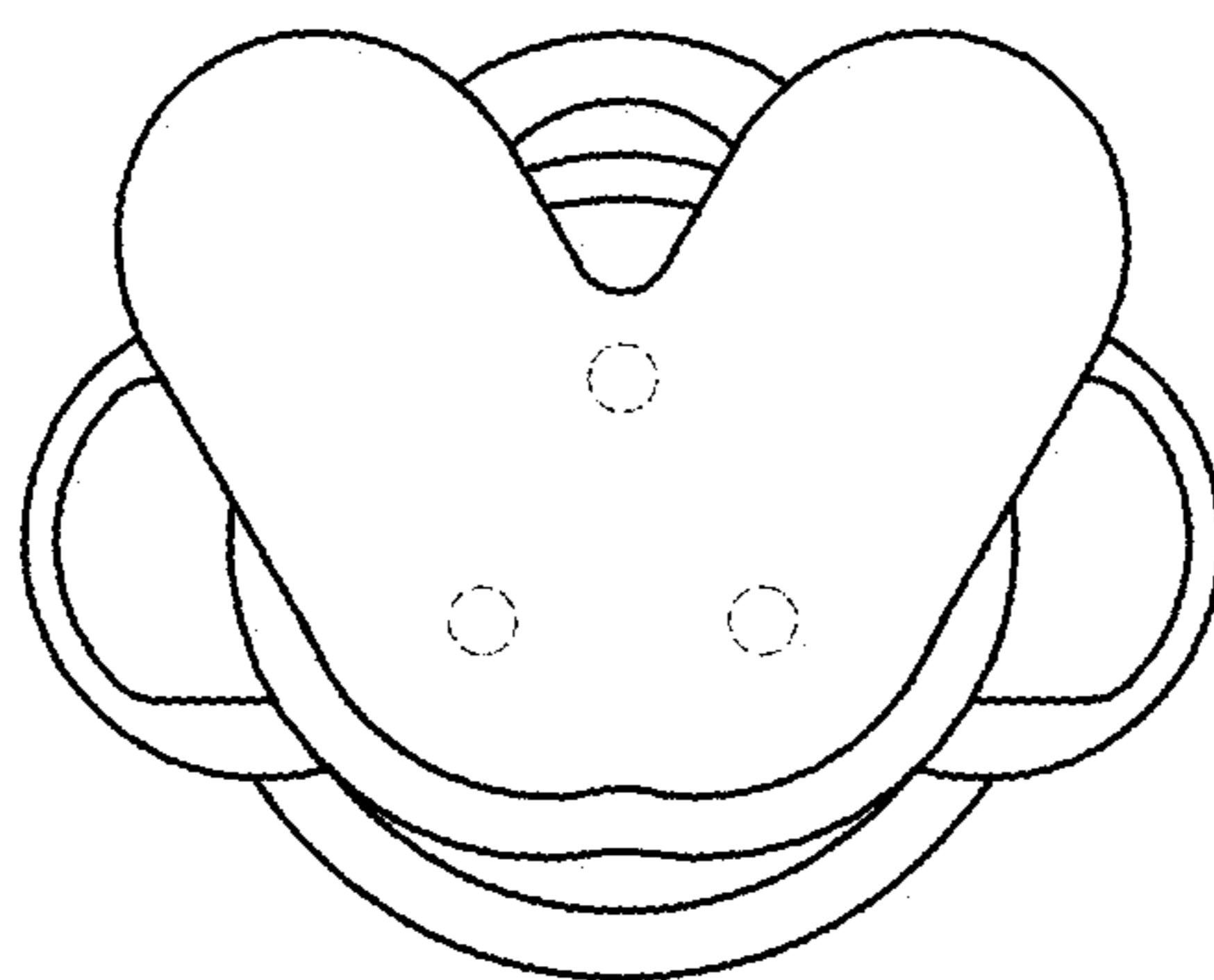


FIG. 49

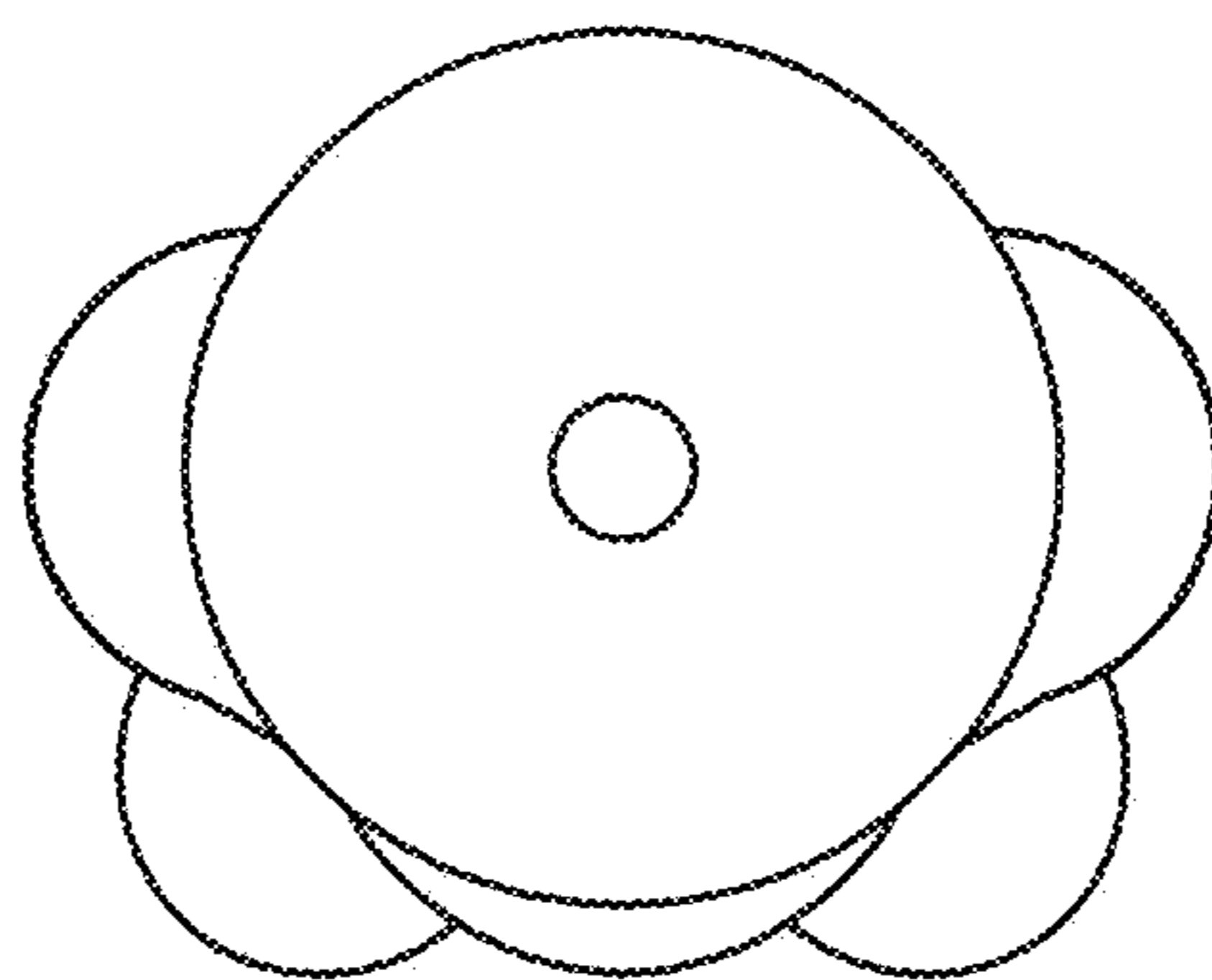


FIG. 50

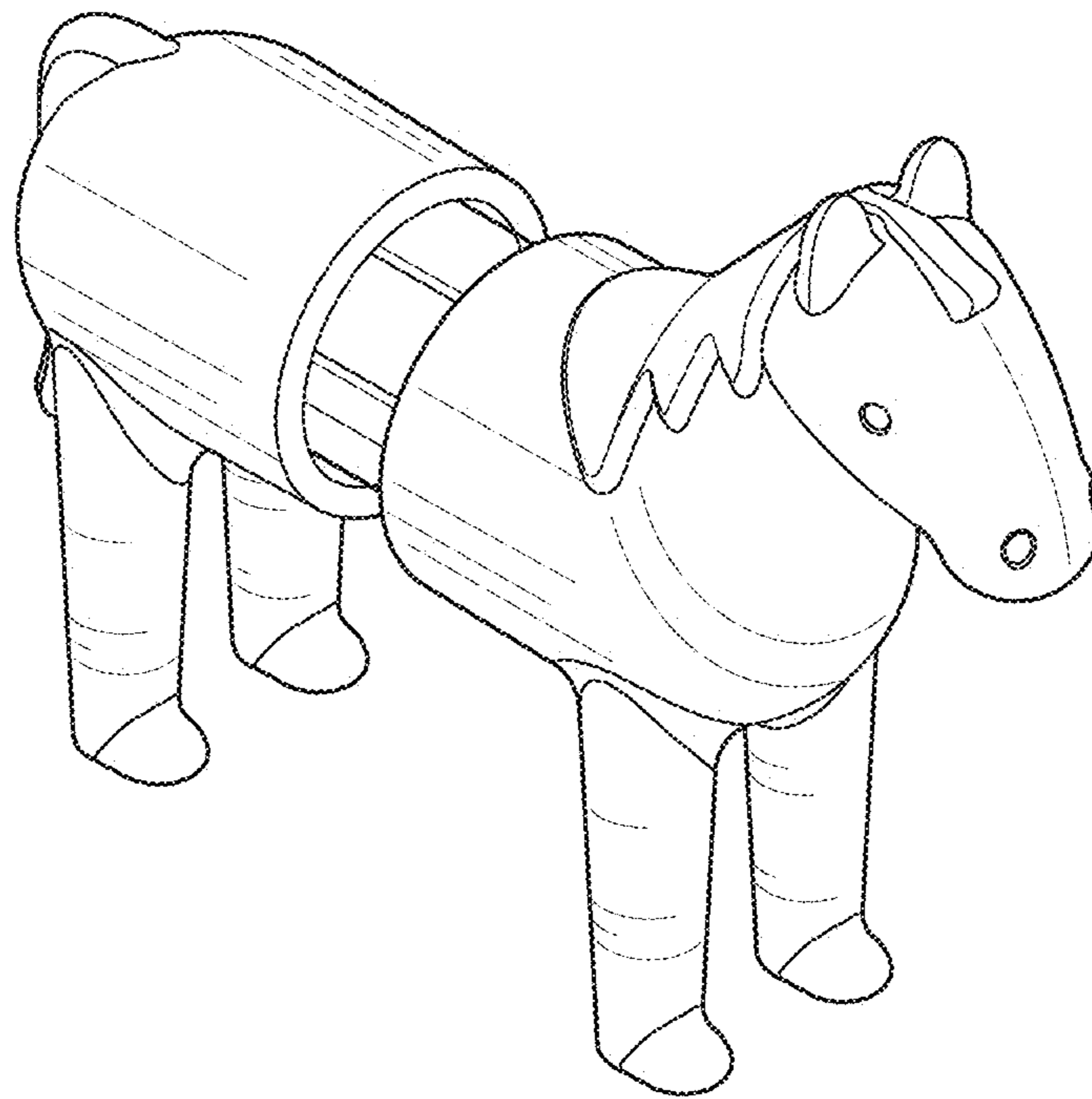


FIG. 51

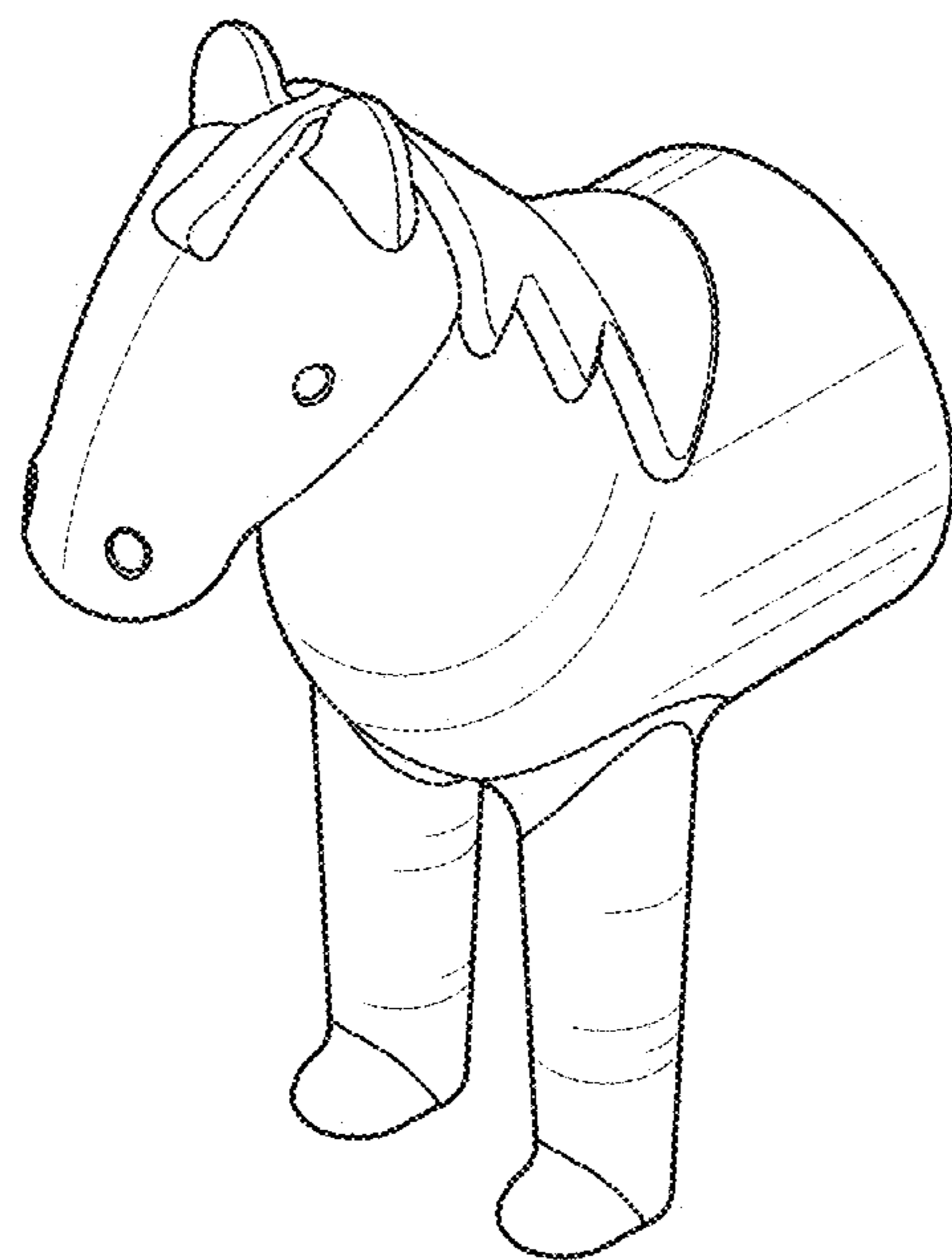


FIG. 52

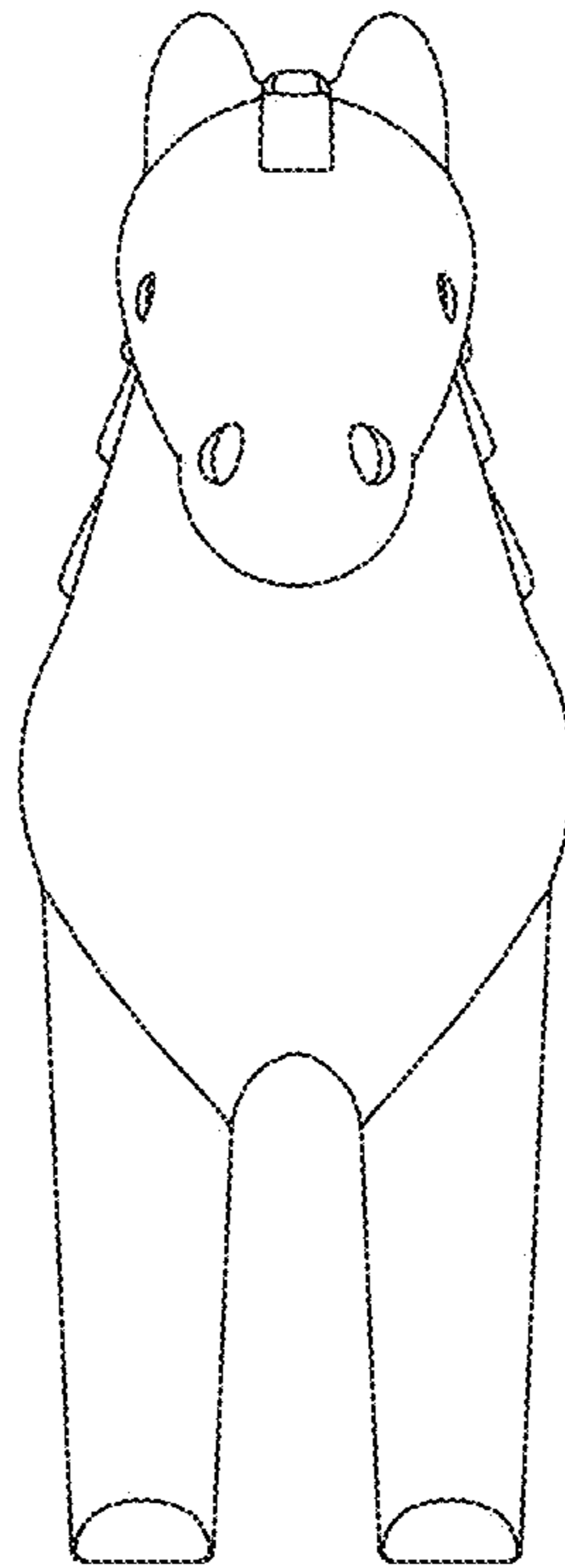


FIG. 53

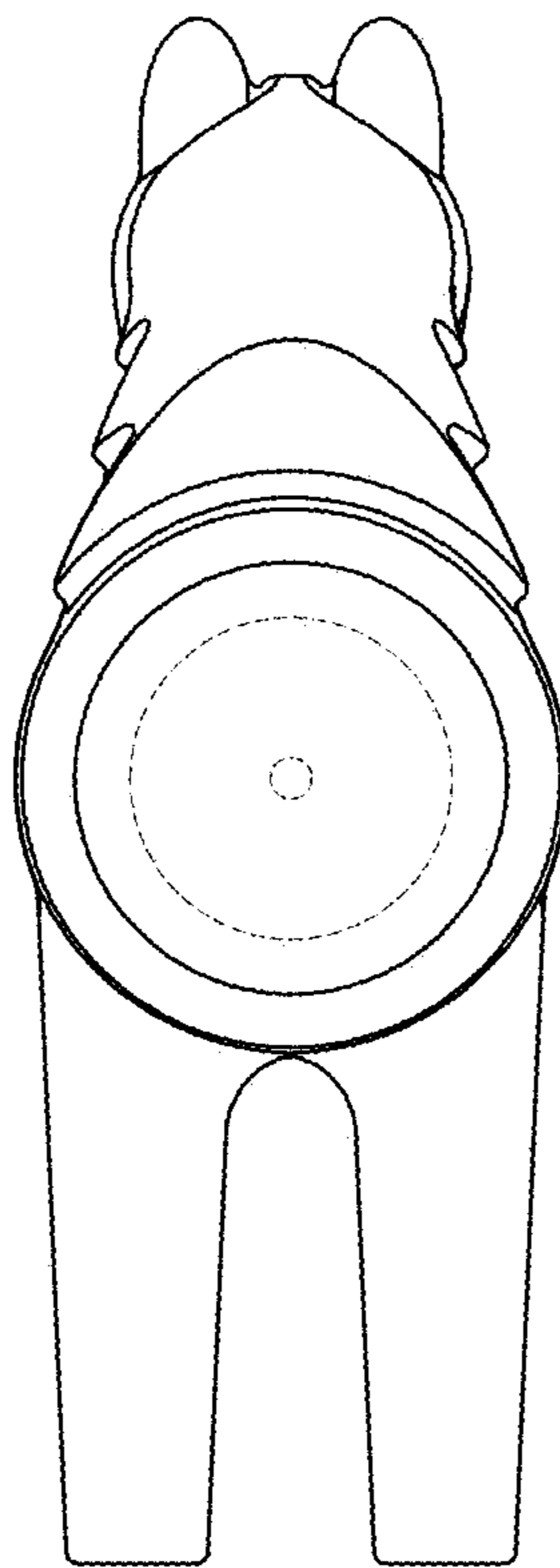


FIG. 54



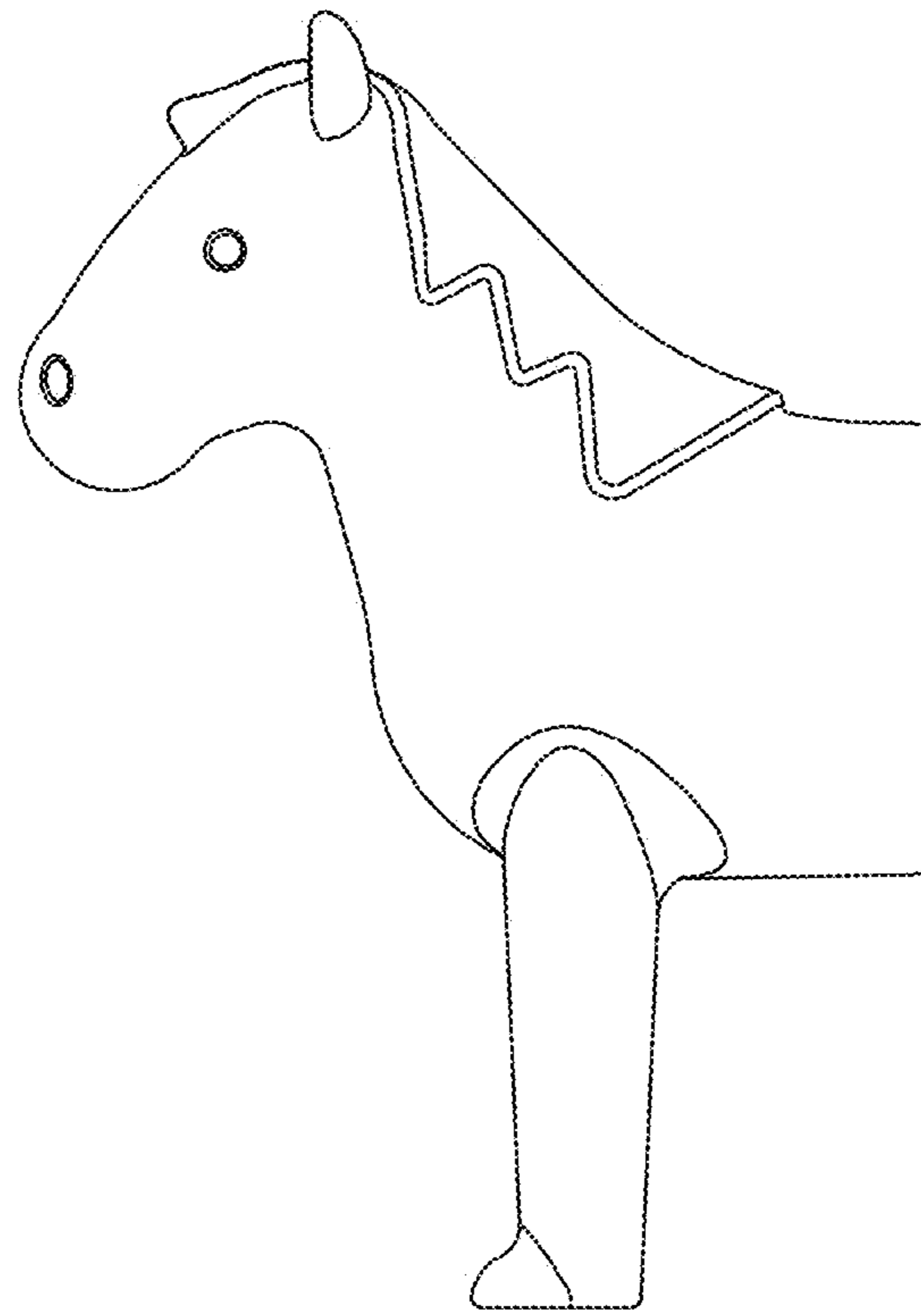


FIG. 55

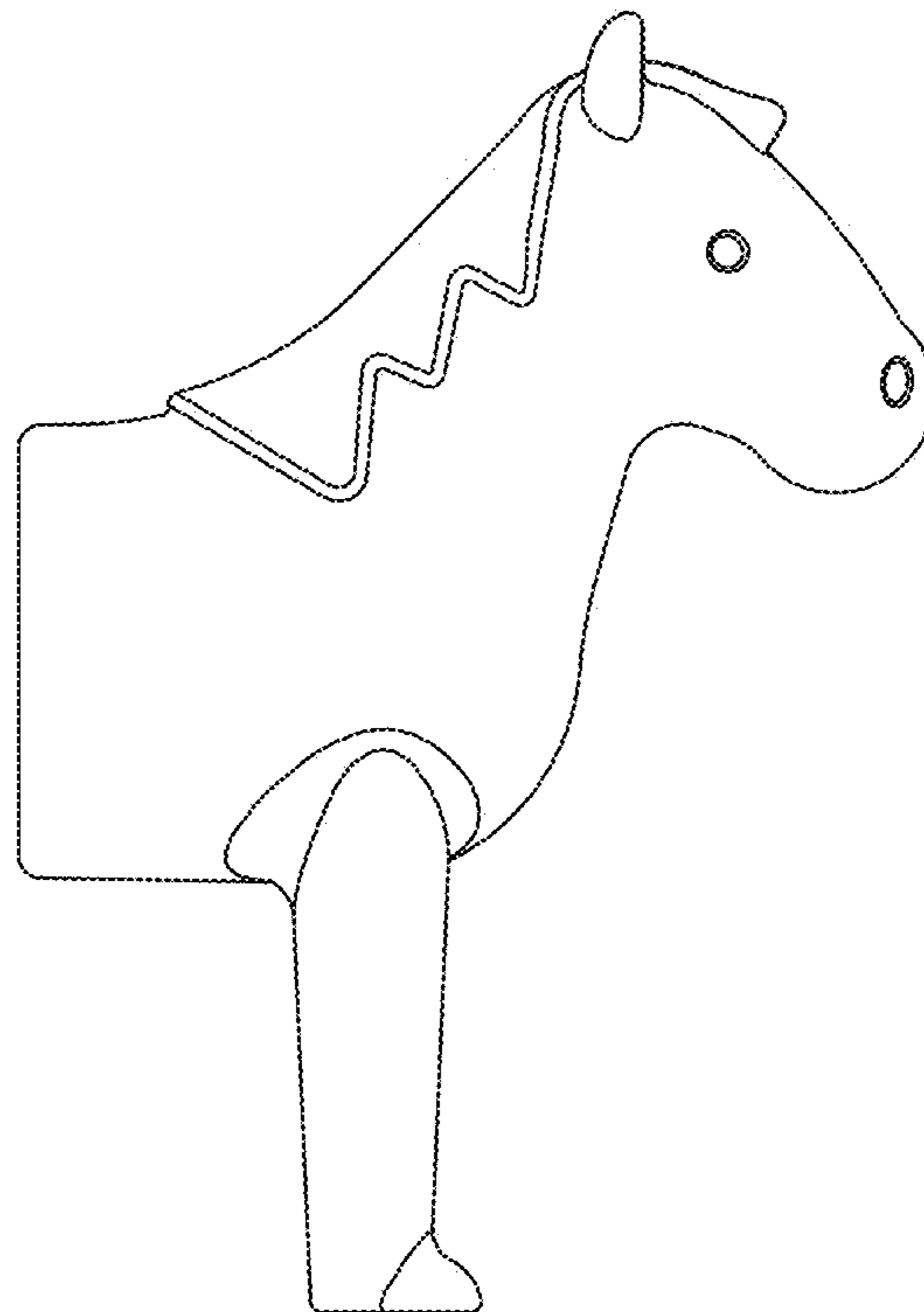


FIG. 56

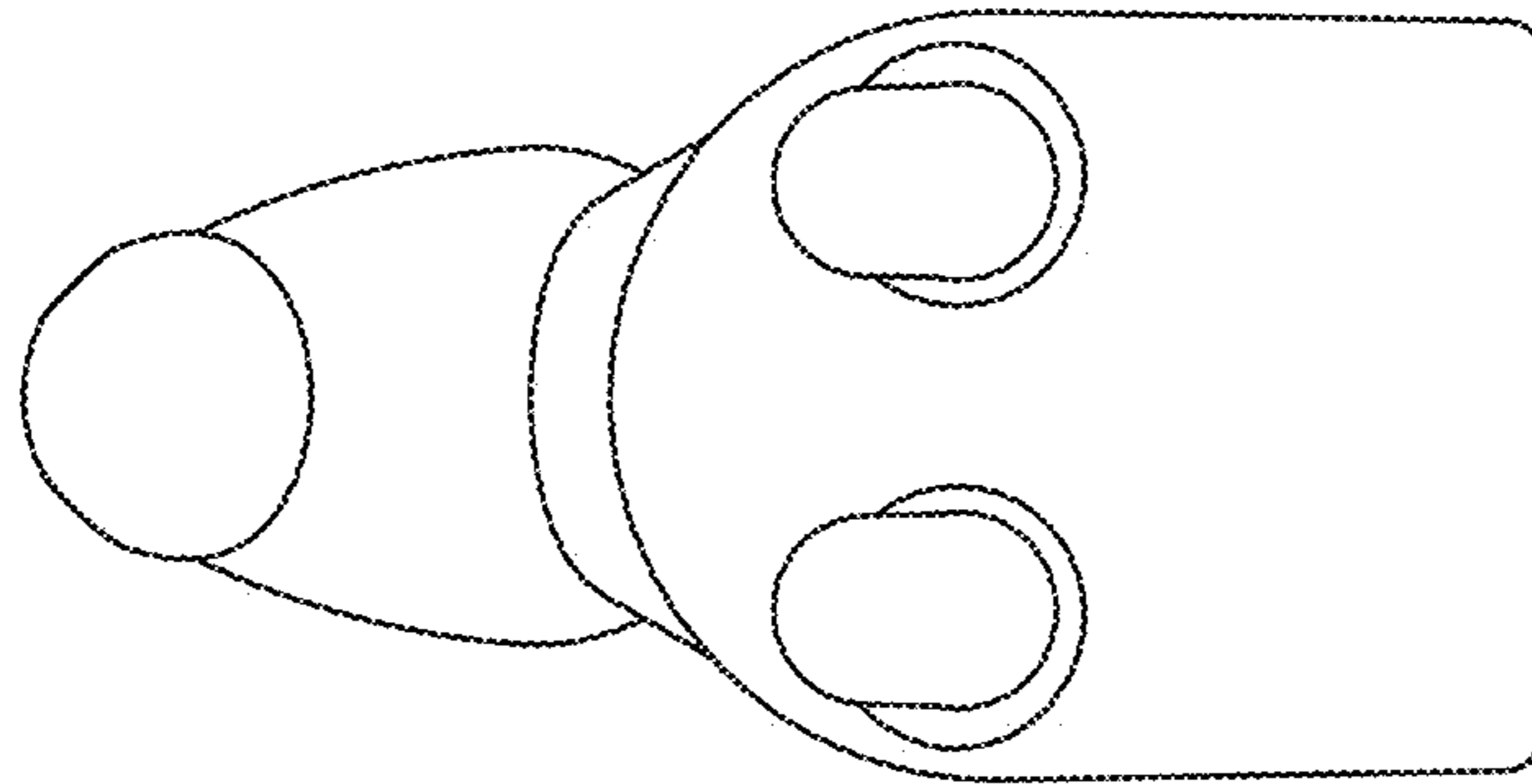


FIG. 57

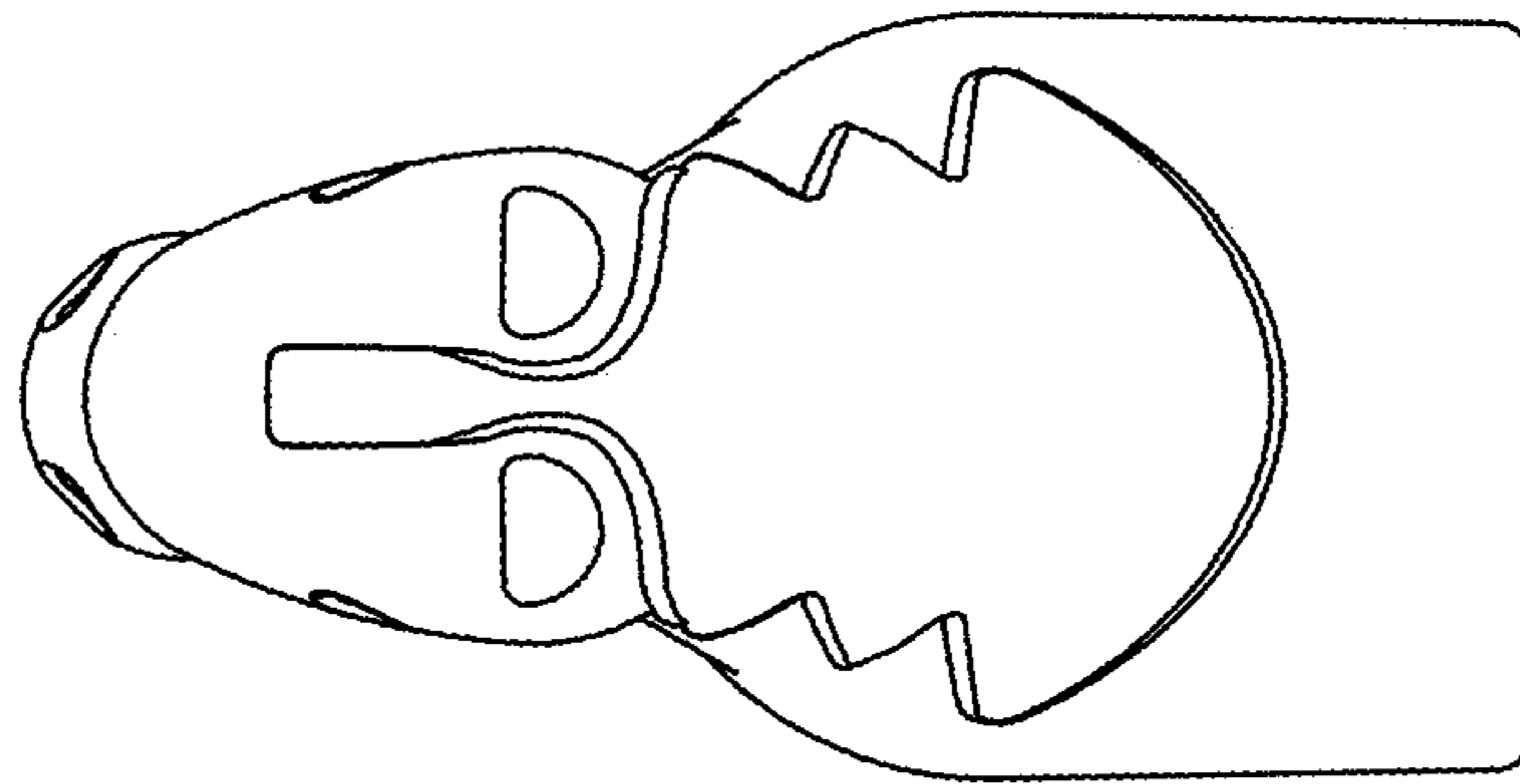


FIG. 58

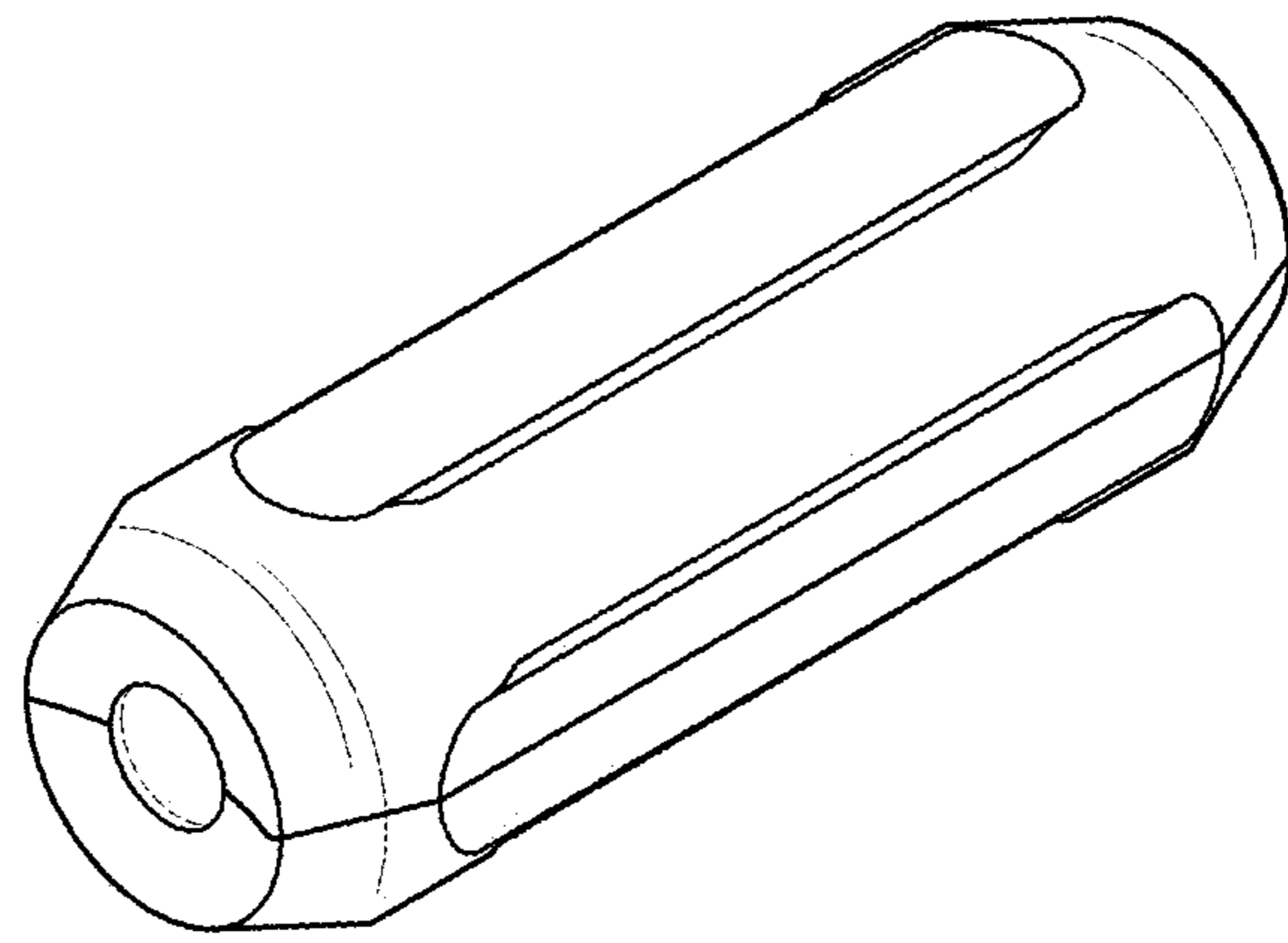


FIG. 59

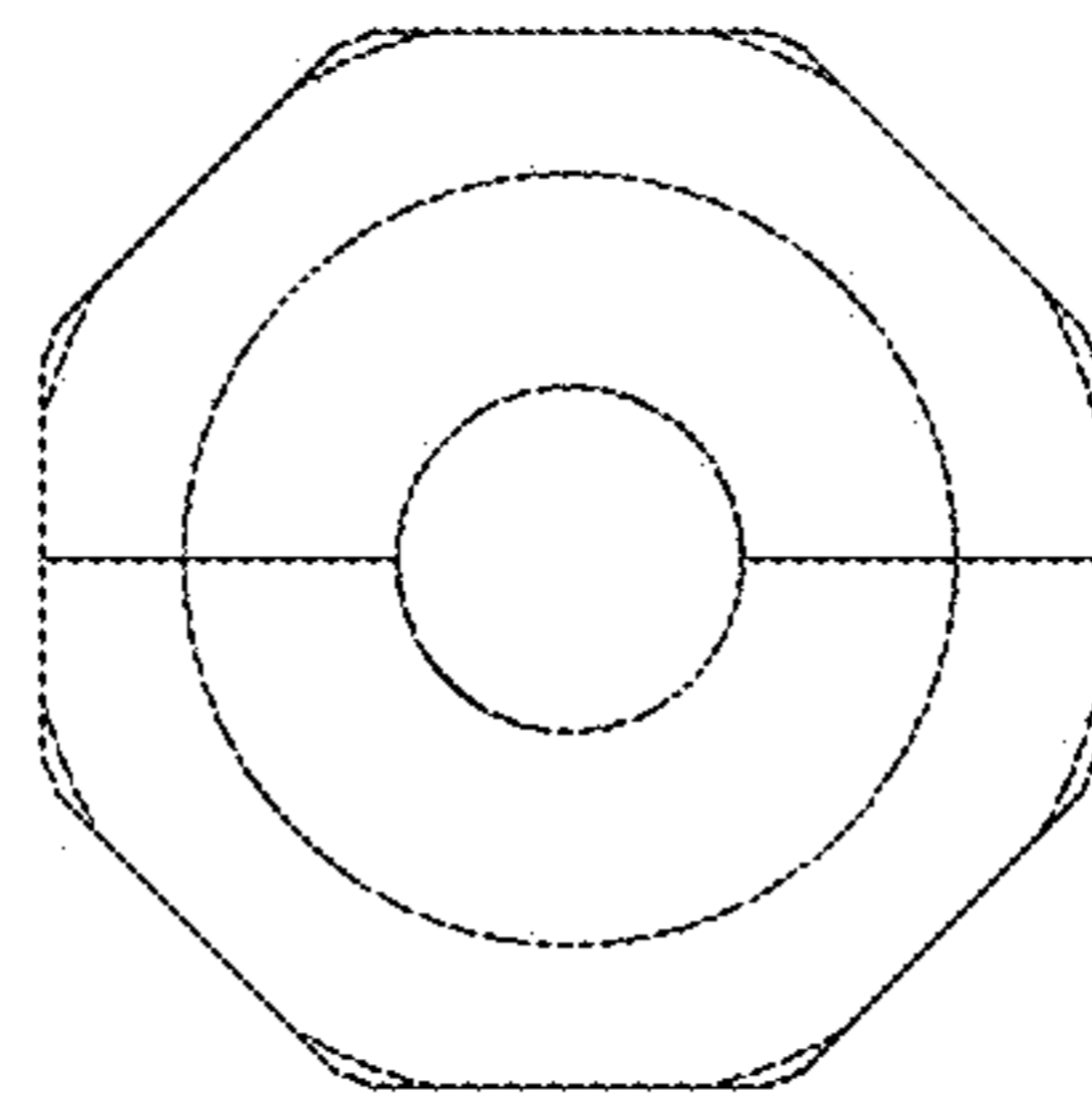


FIG. 60

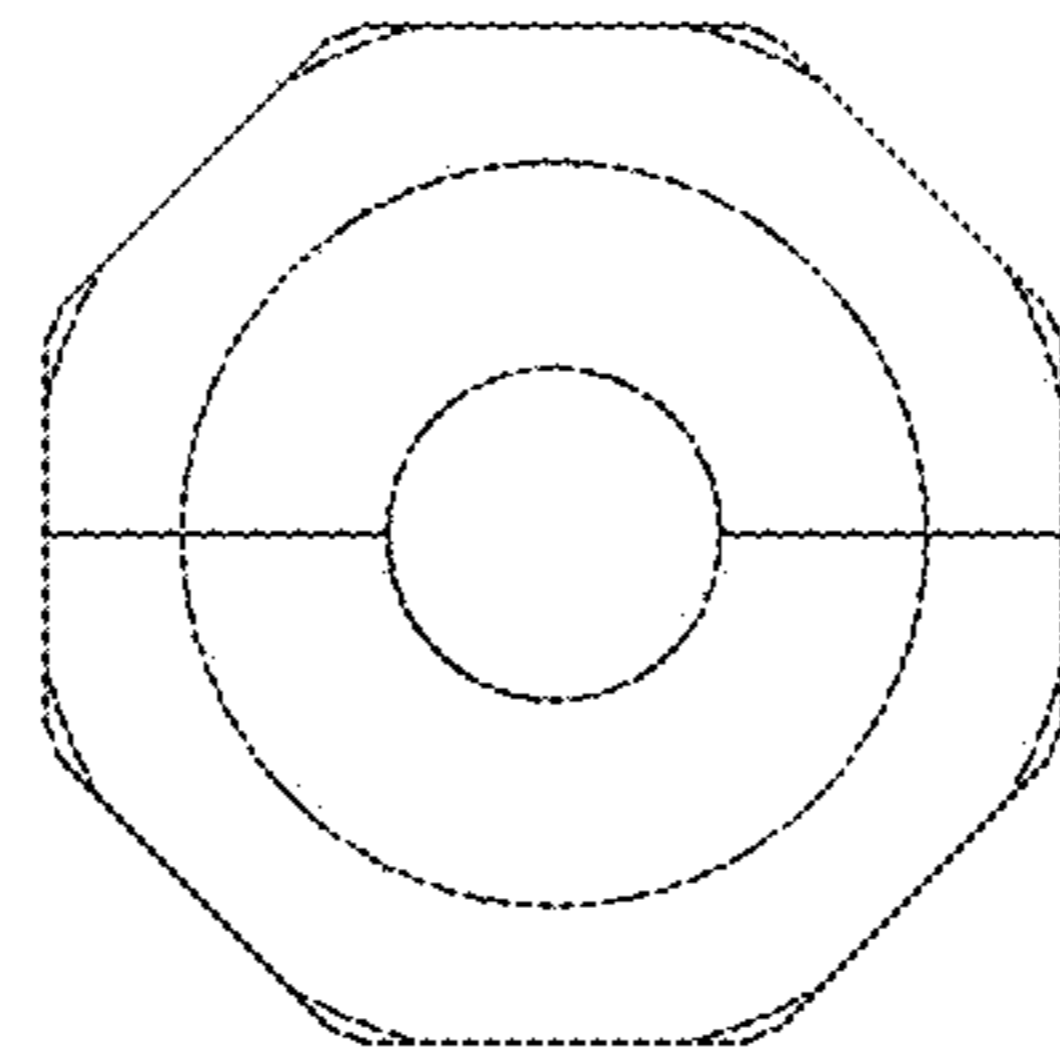


FIG. 61

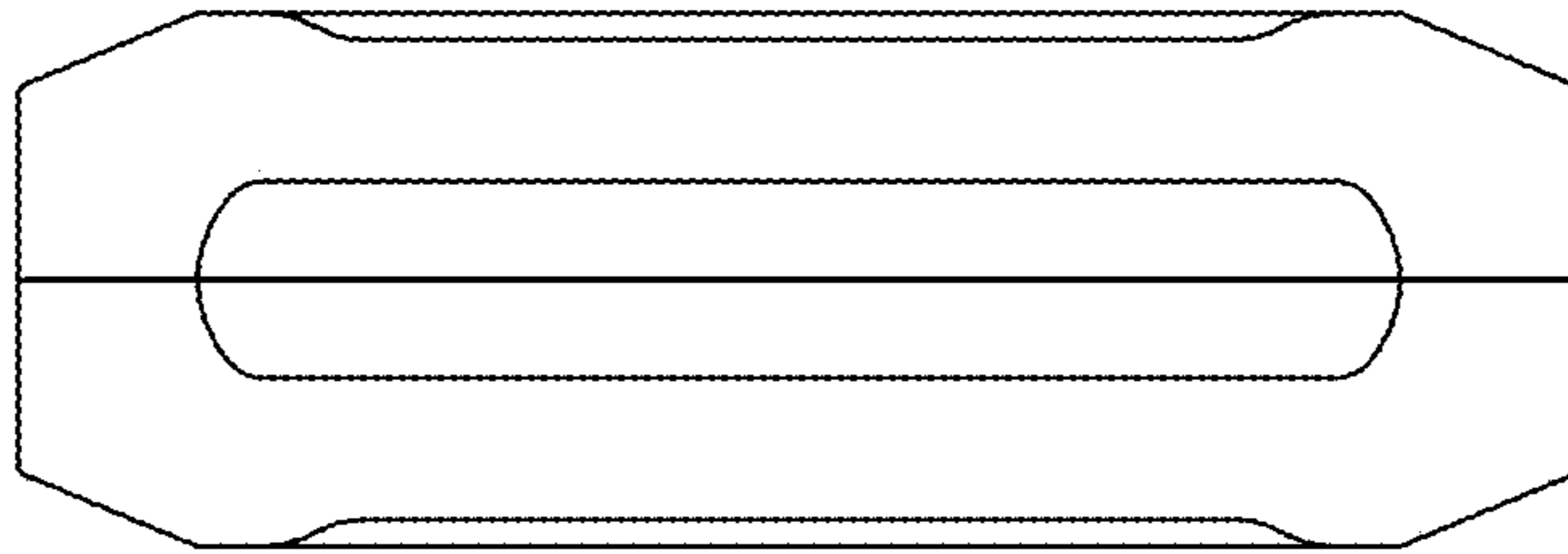


FIG. 62

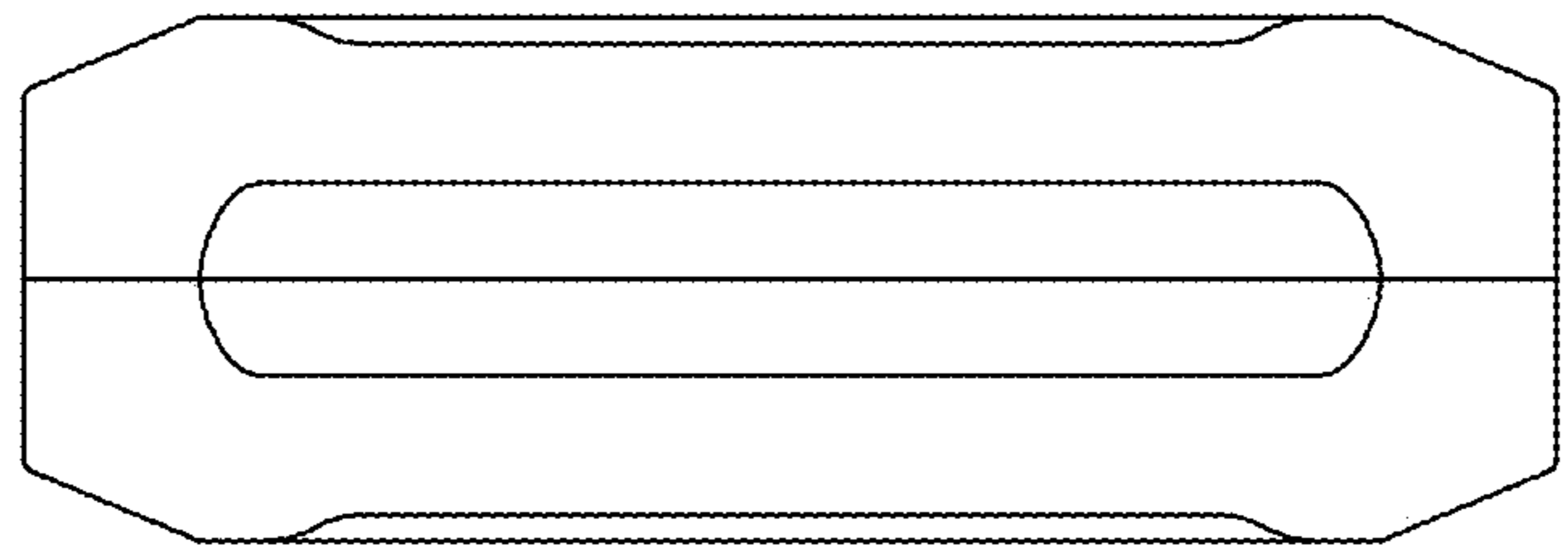


FIG. 63



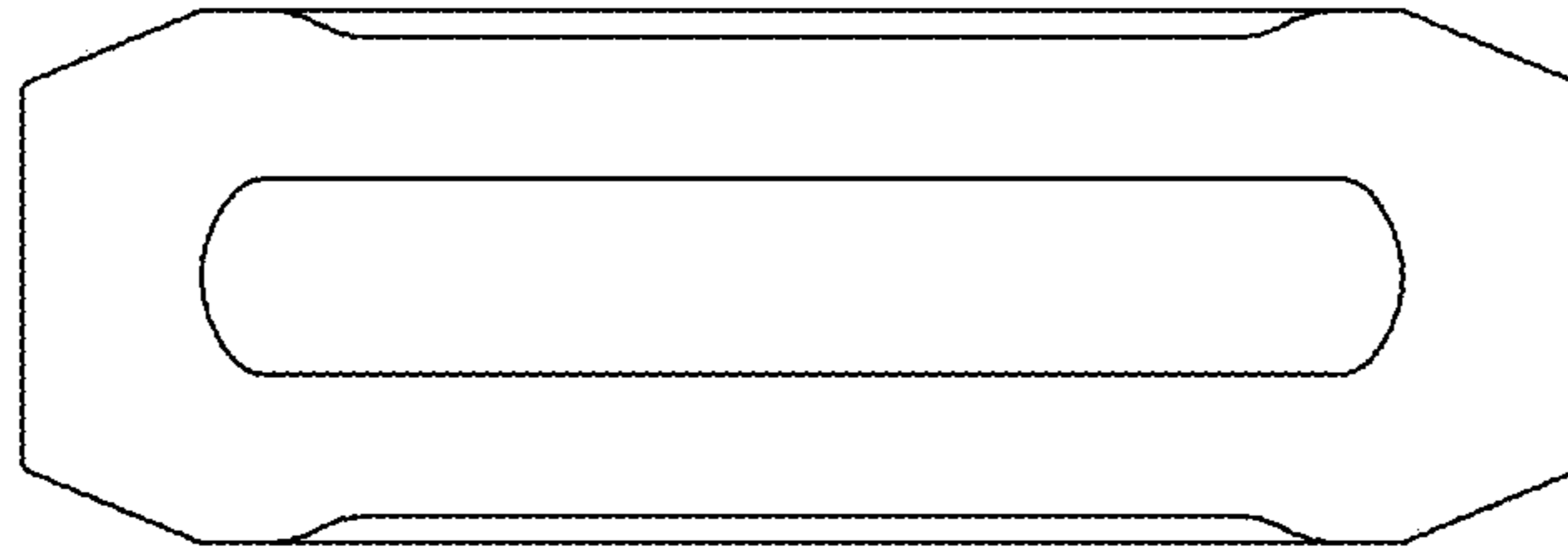


FIG. 64

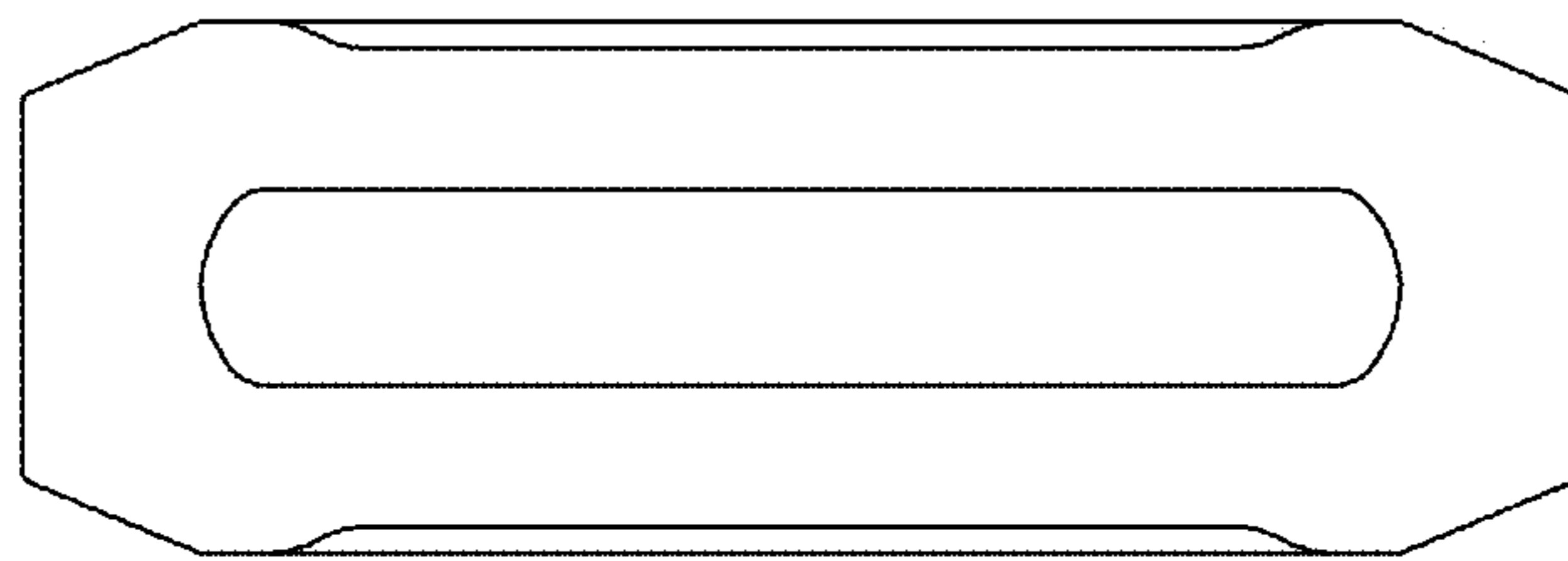


FIG. 65

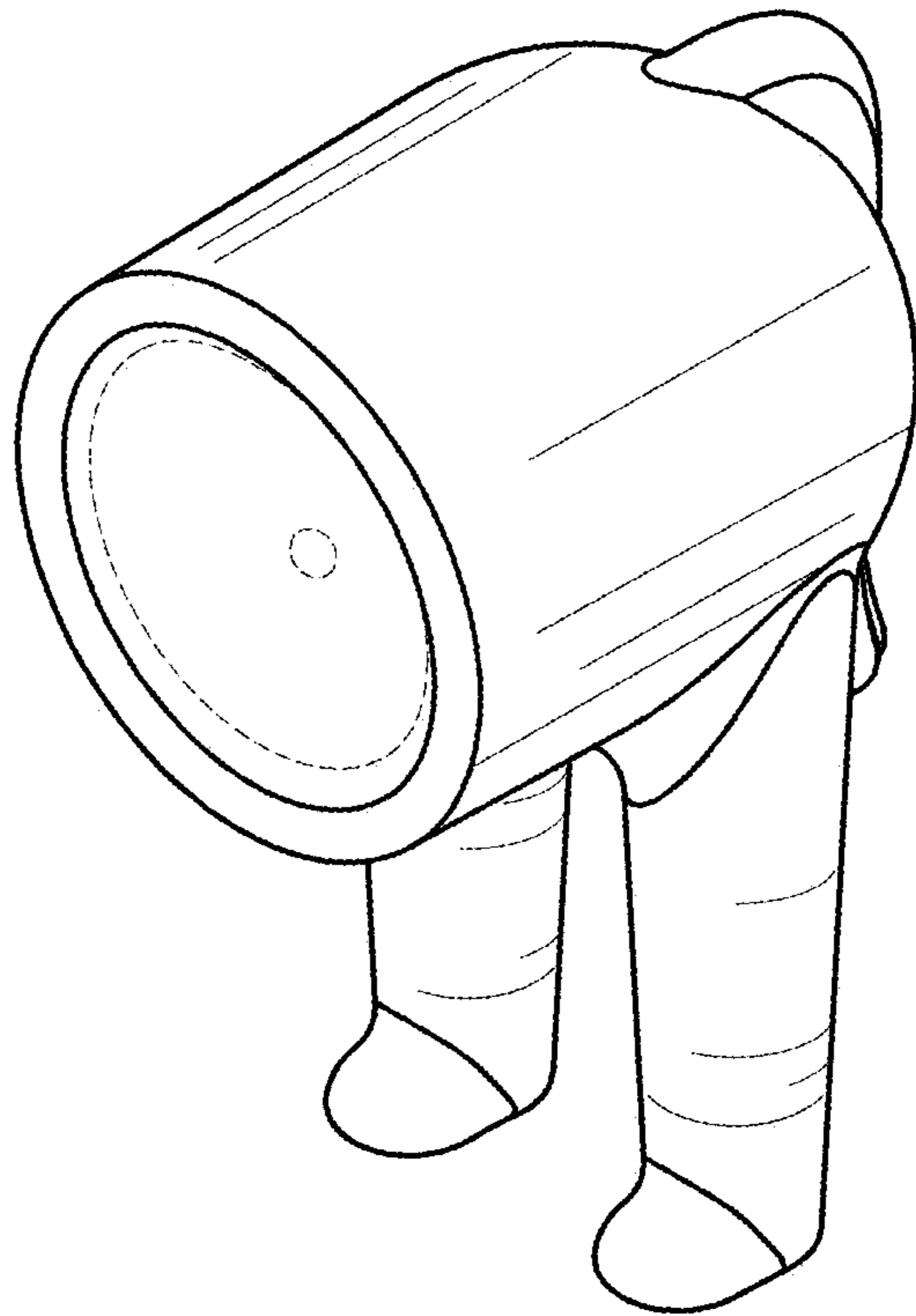


FIG. 66

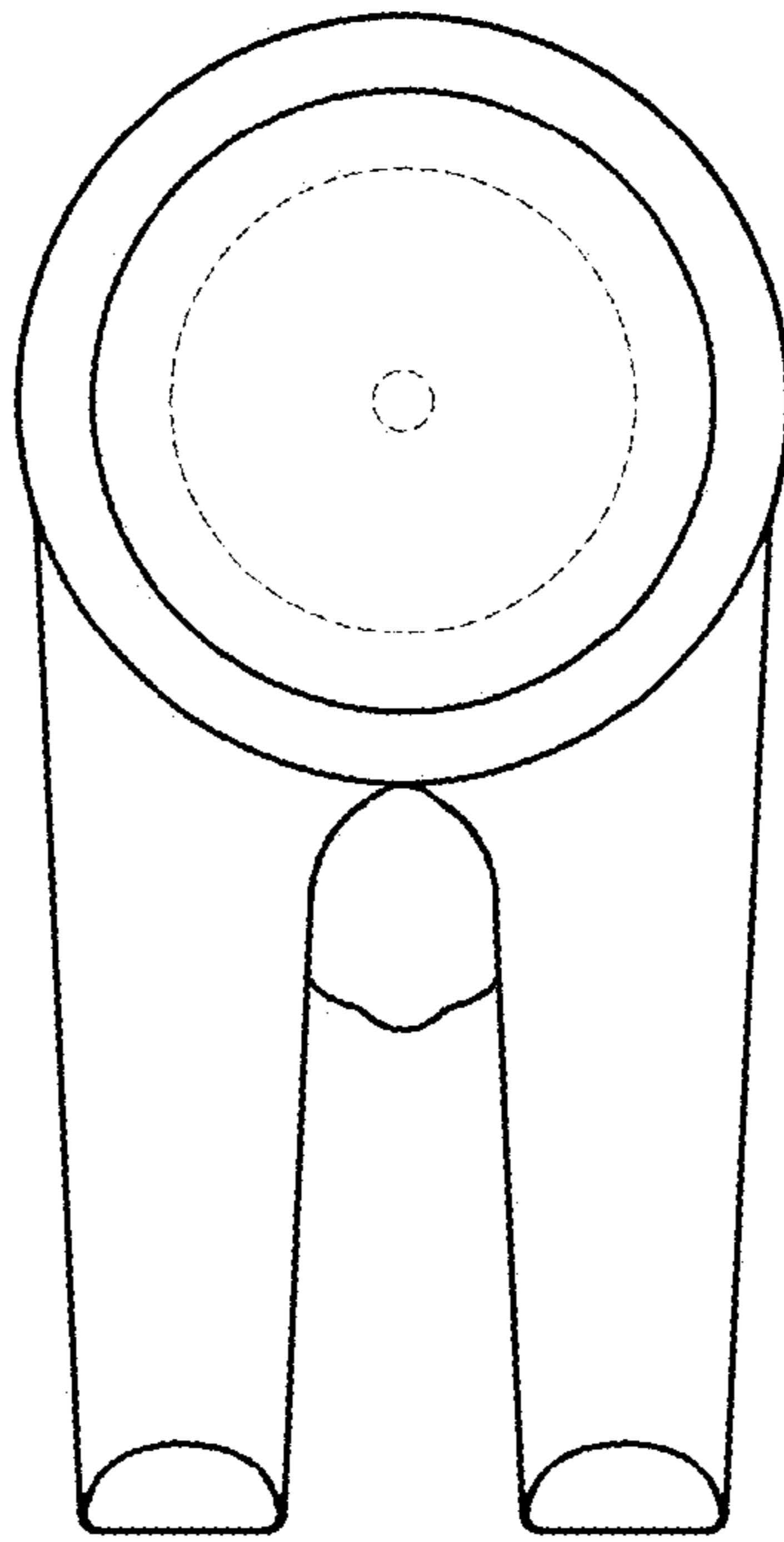


FIG. 67

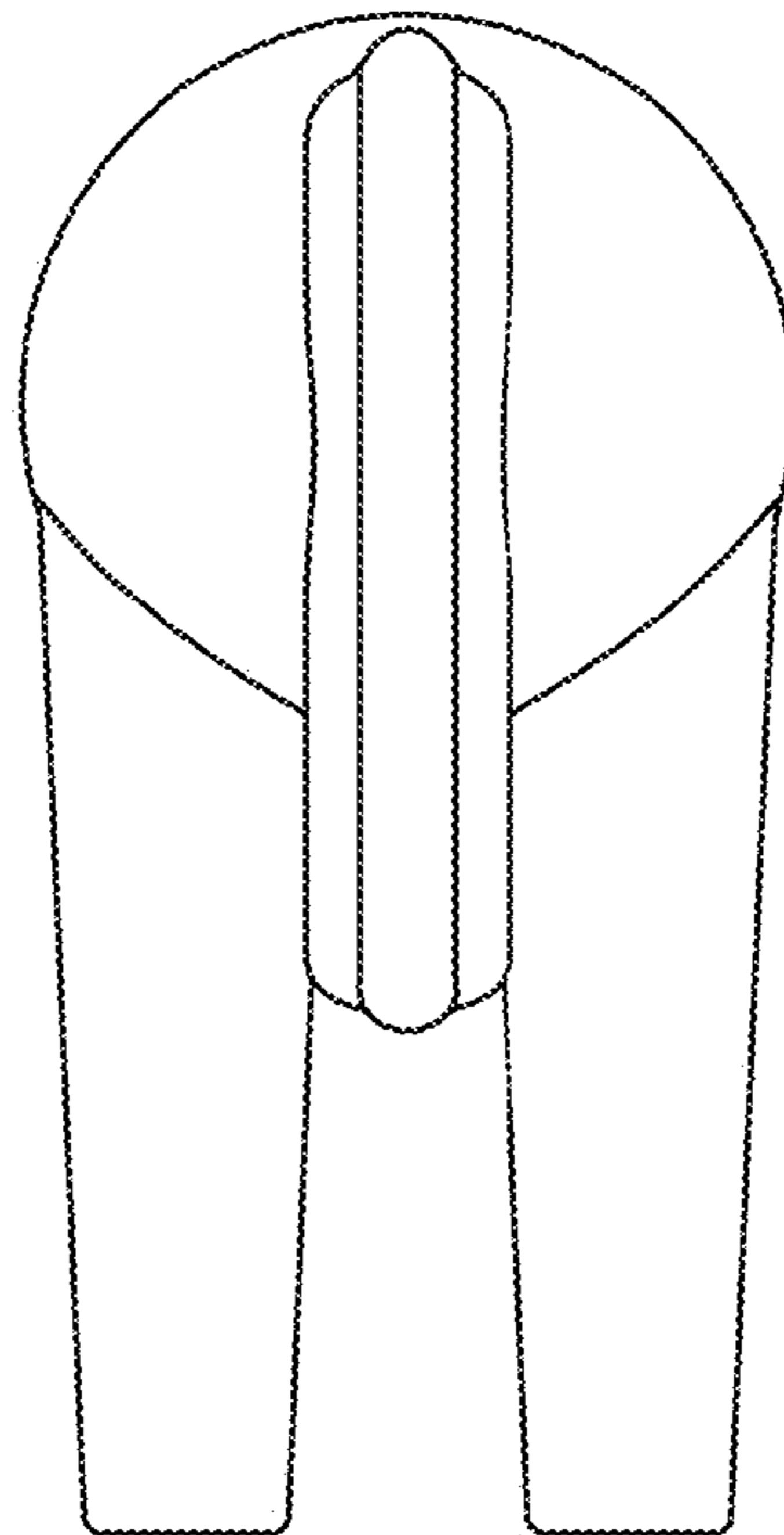


FIG. 68

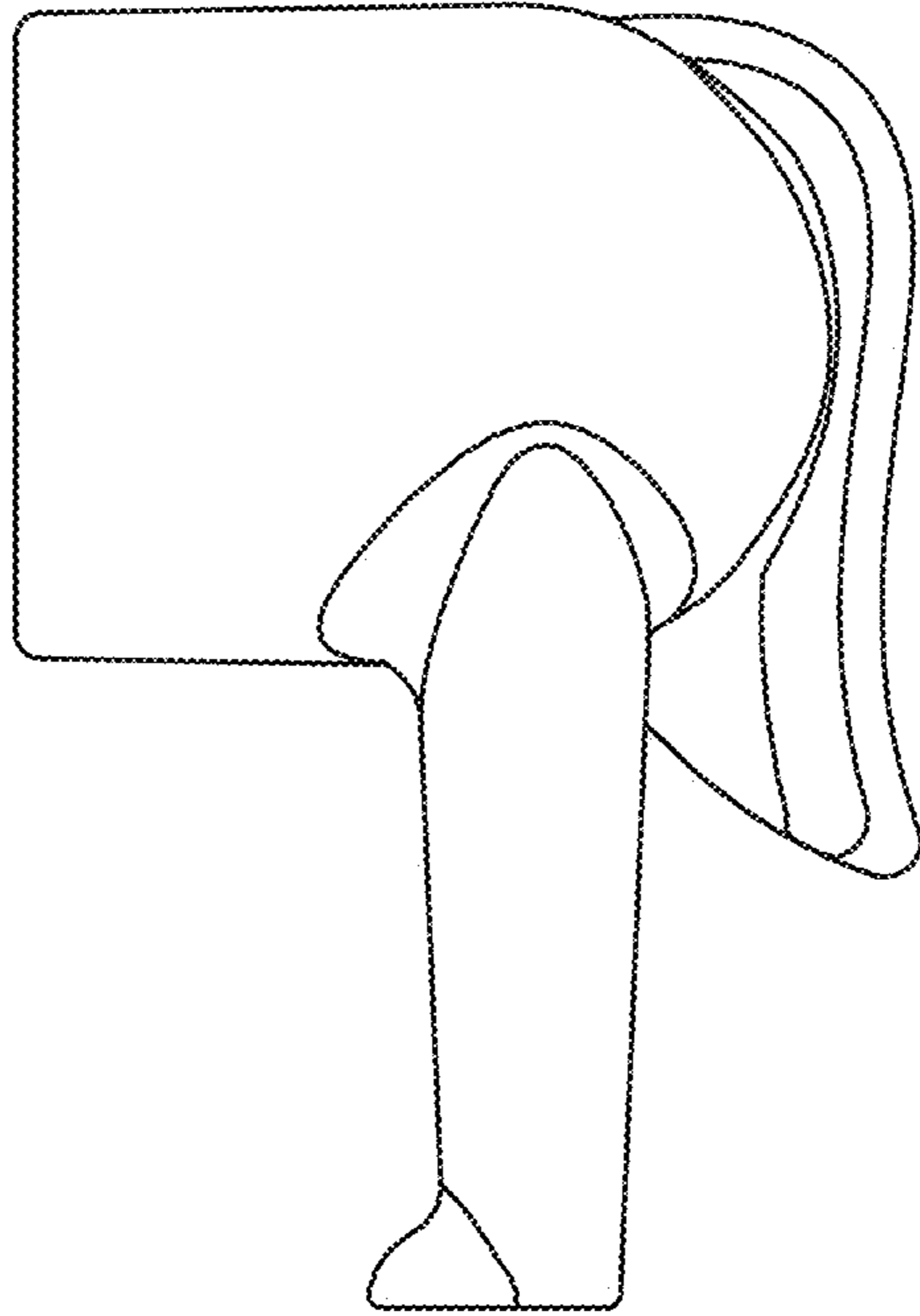


FIG. 69

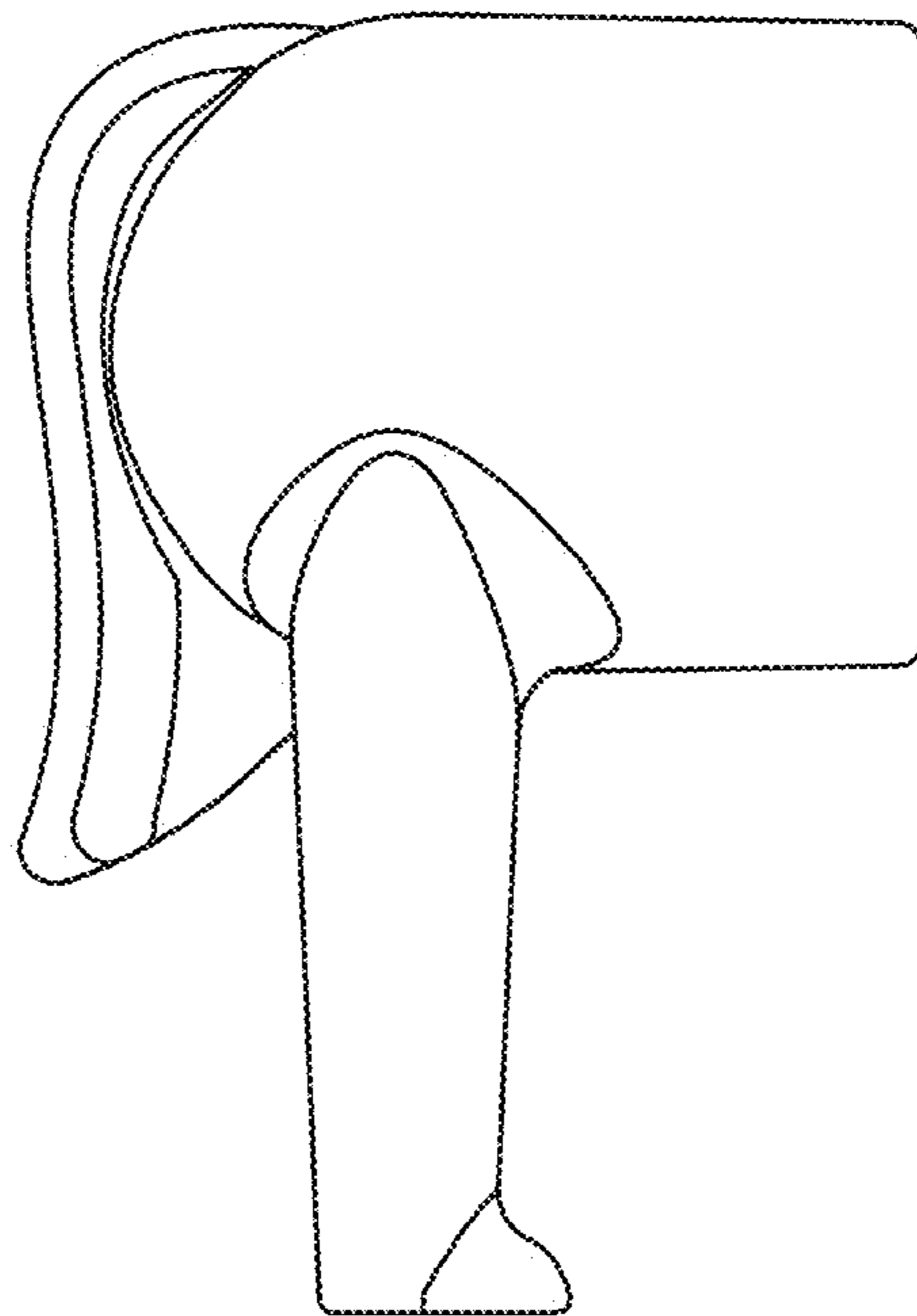


FIG. 70

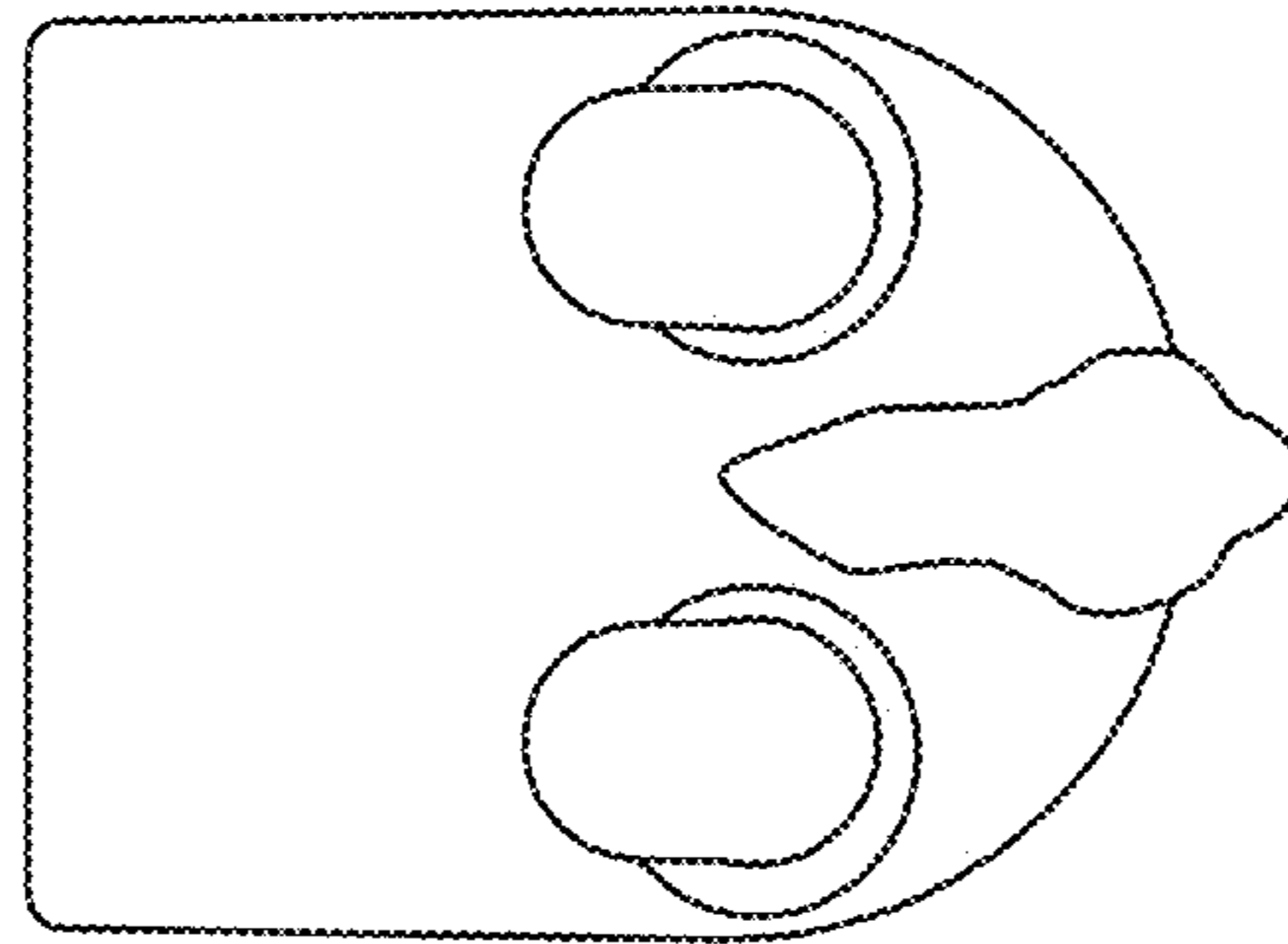


FIG. 71

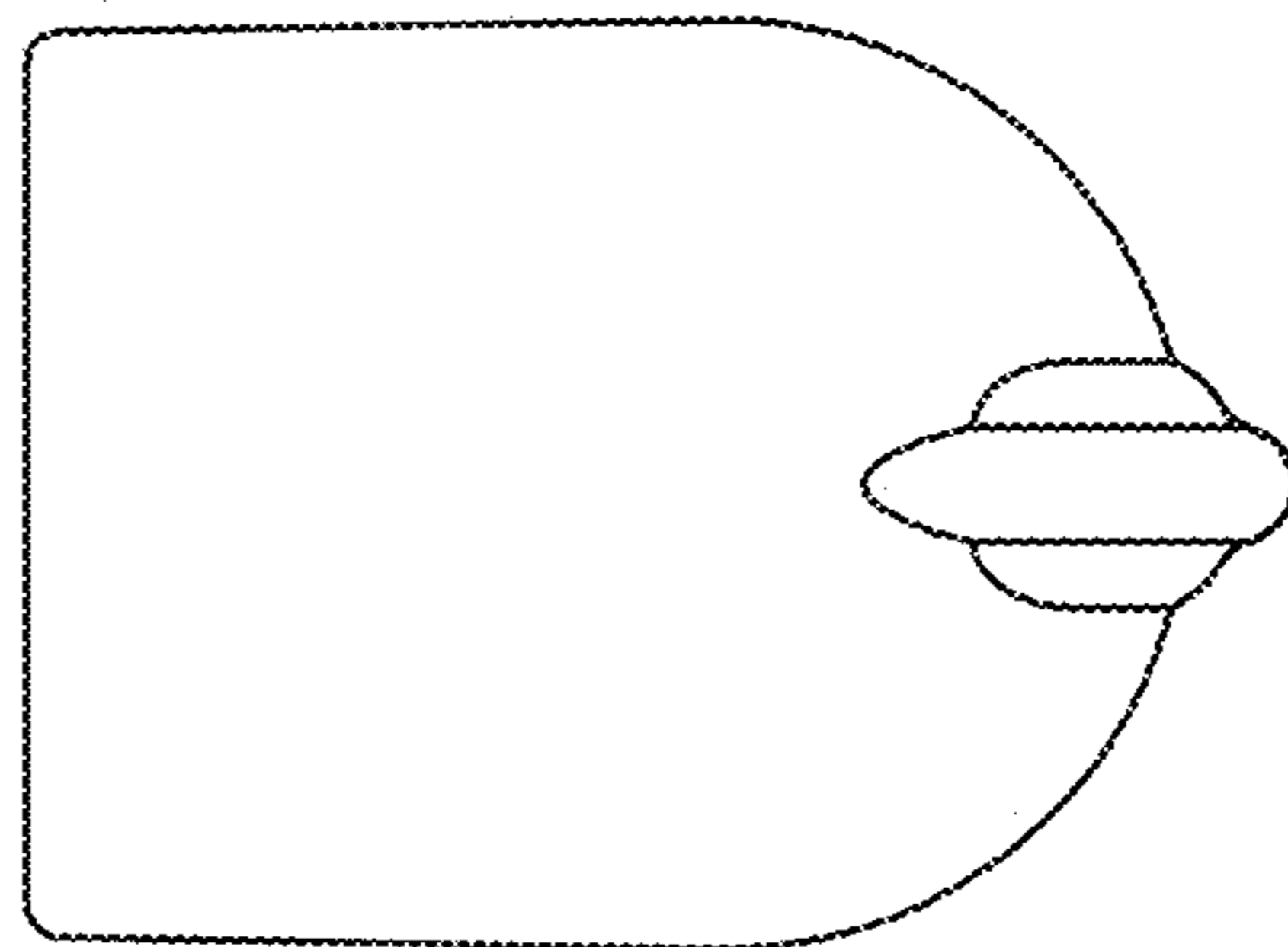


FIG. 72

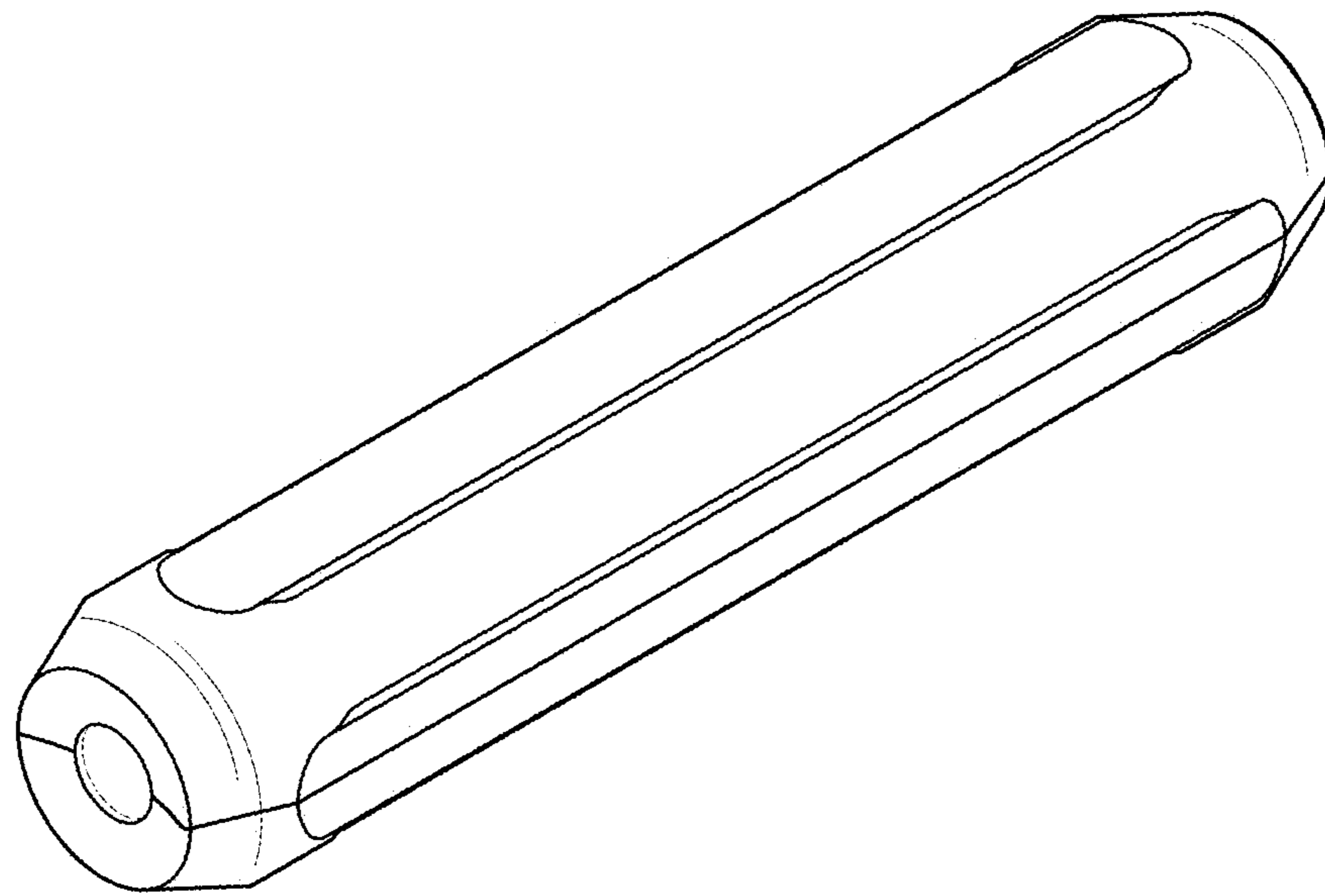


FIG. 73



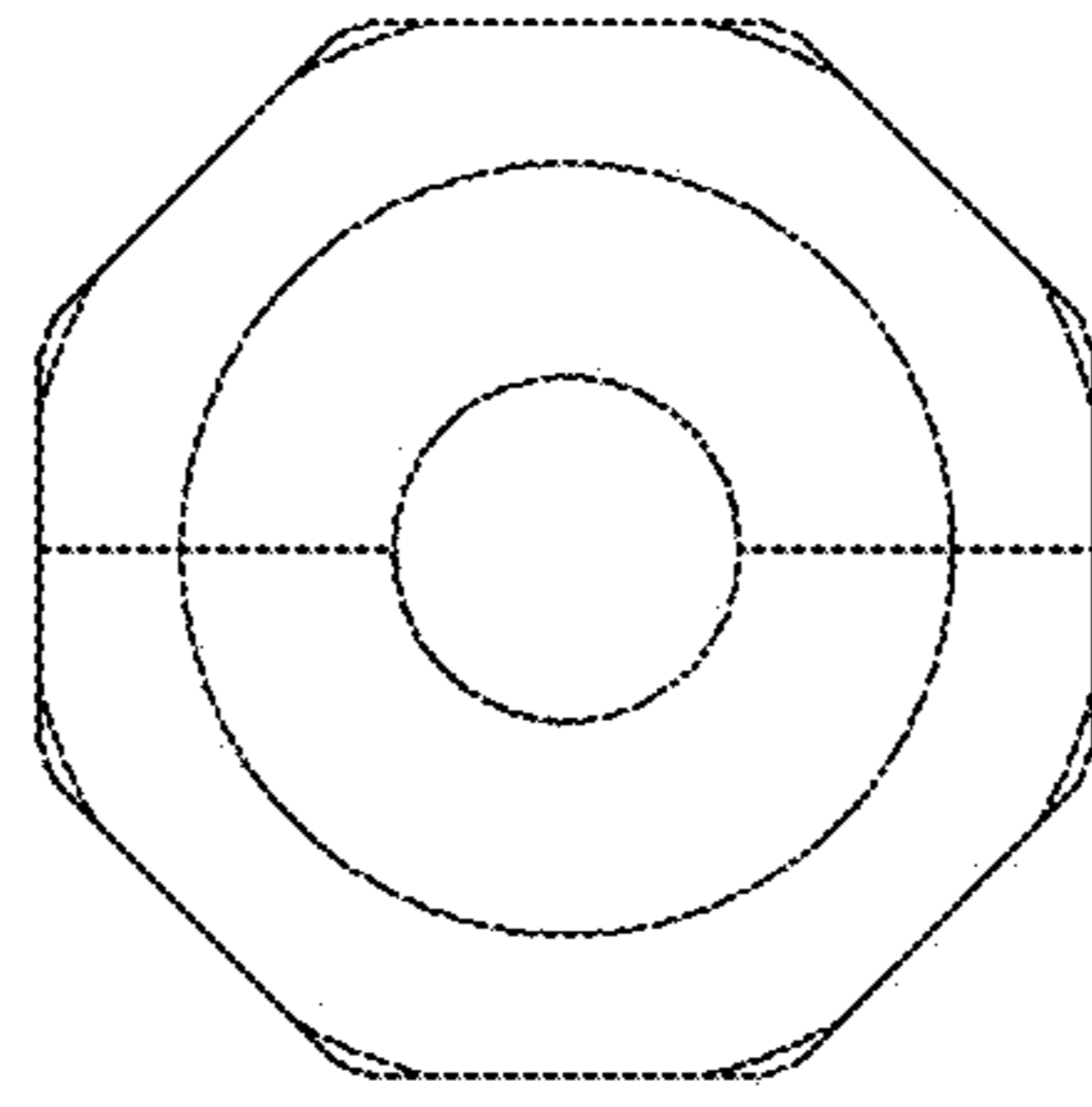


FIG. 74

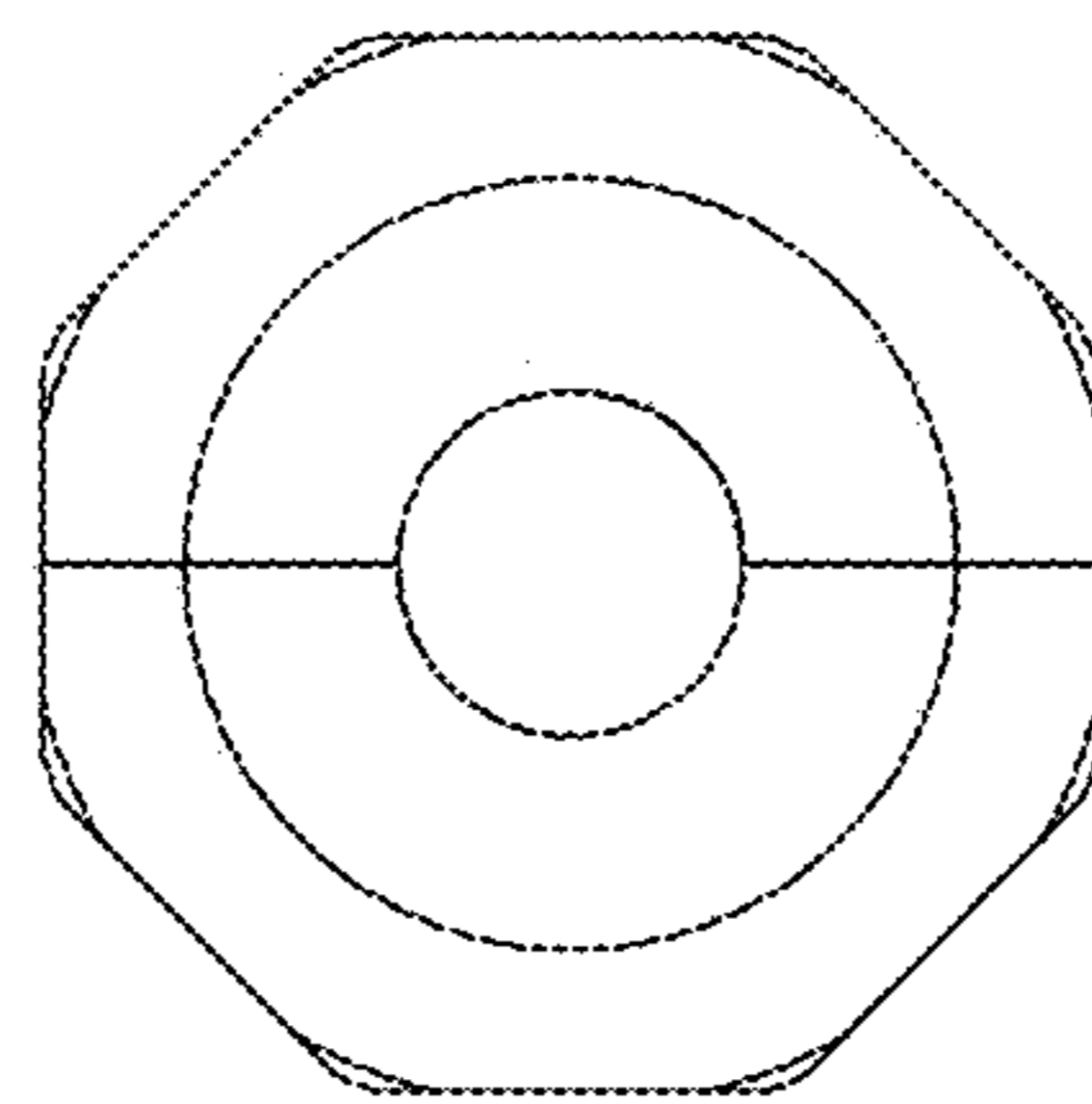


FIG. 75

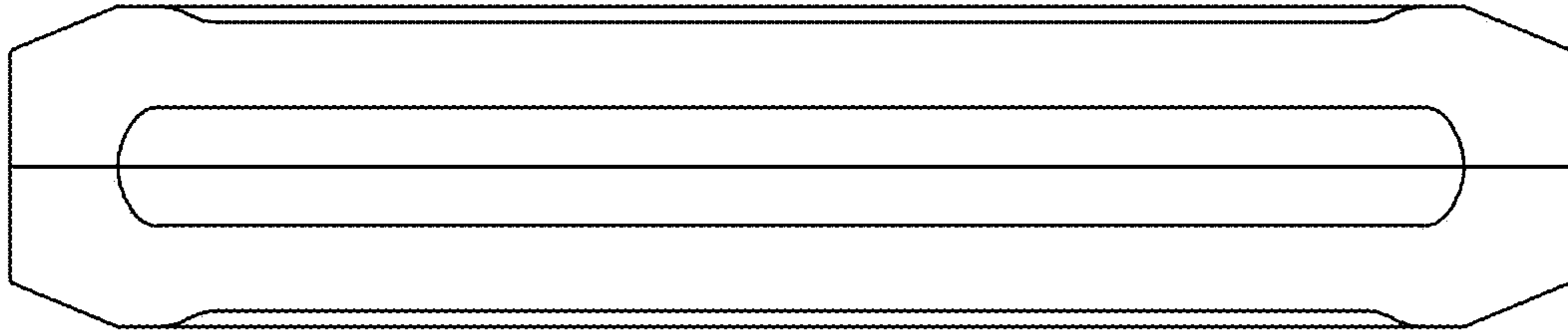


FIG. 76

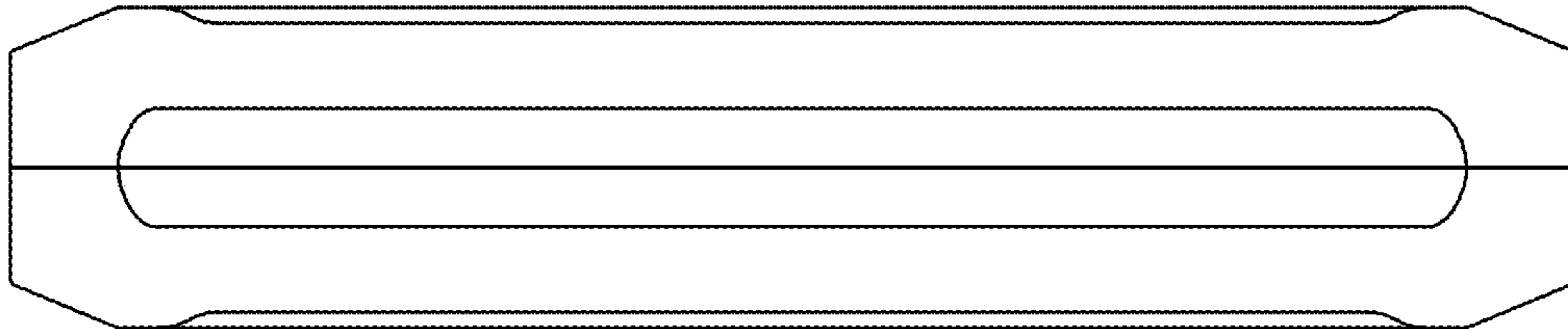


FIG. 77

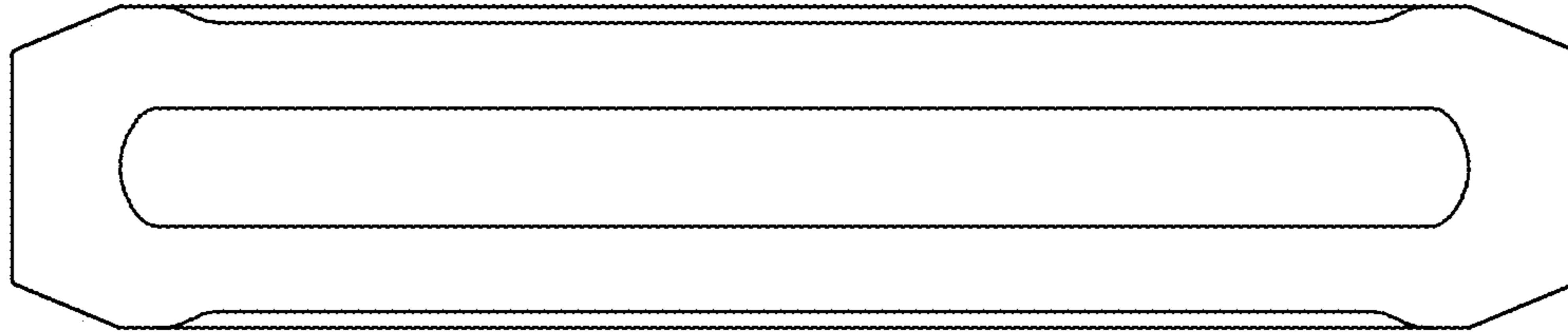


FIG. 78

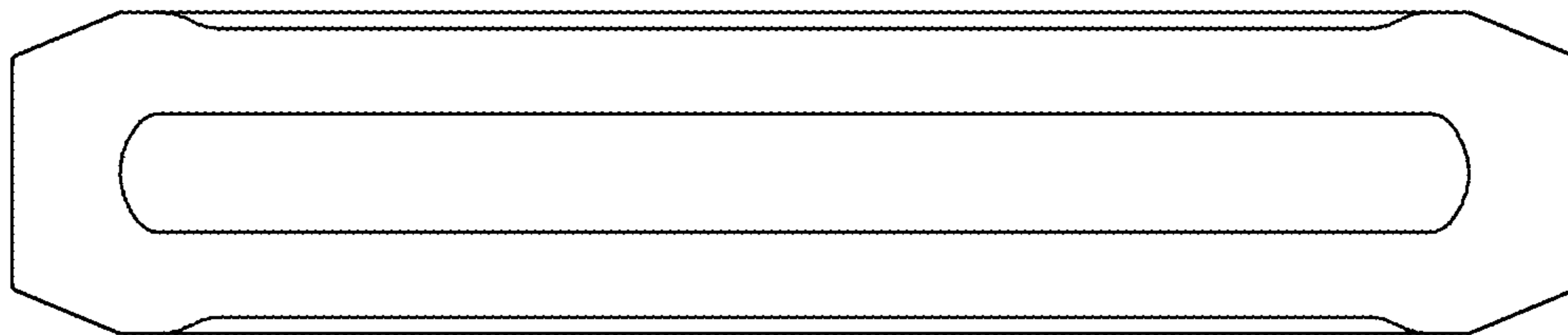


FIG. 79

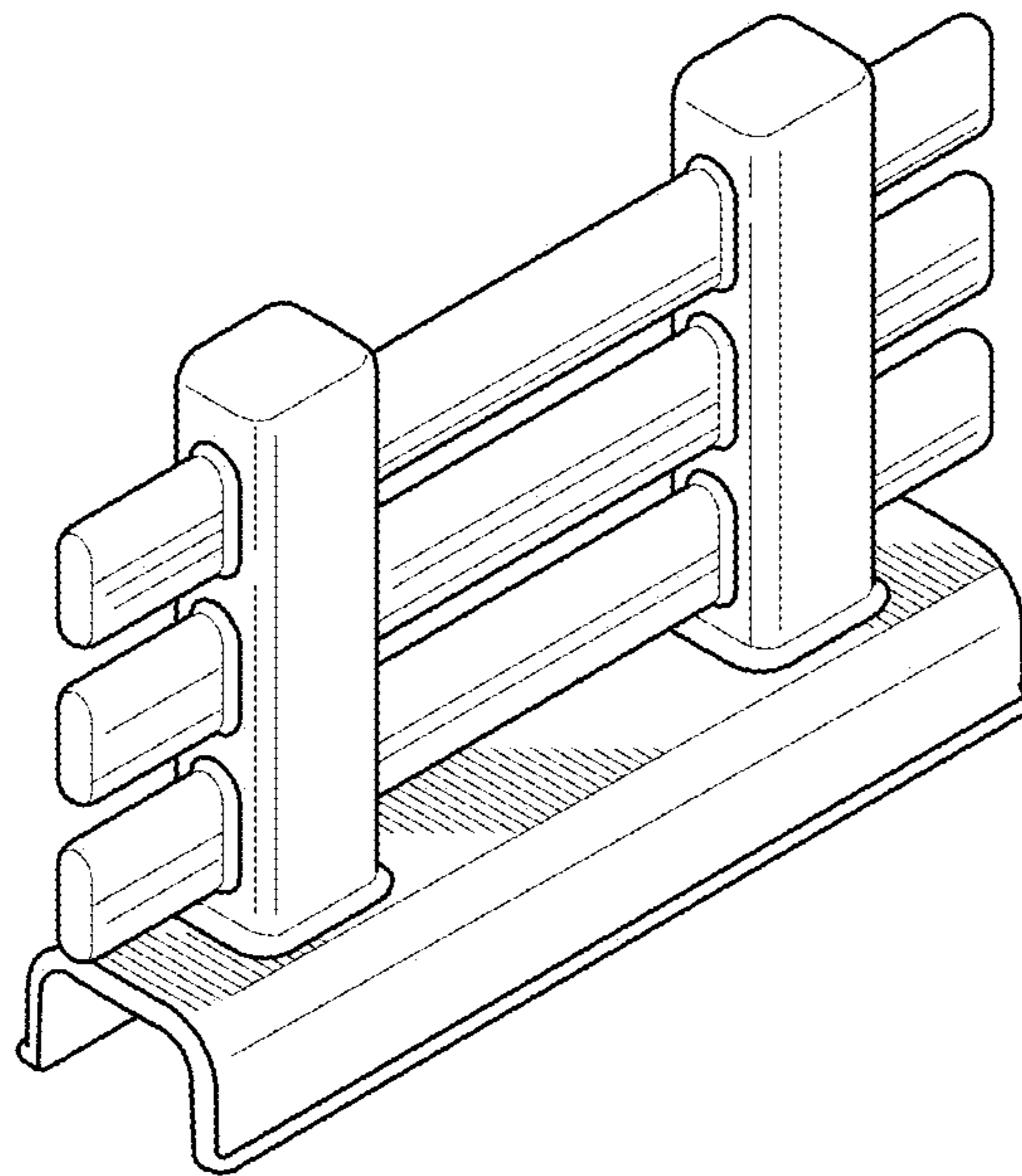


FIG. 80

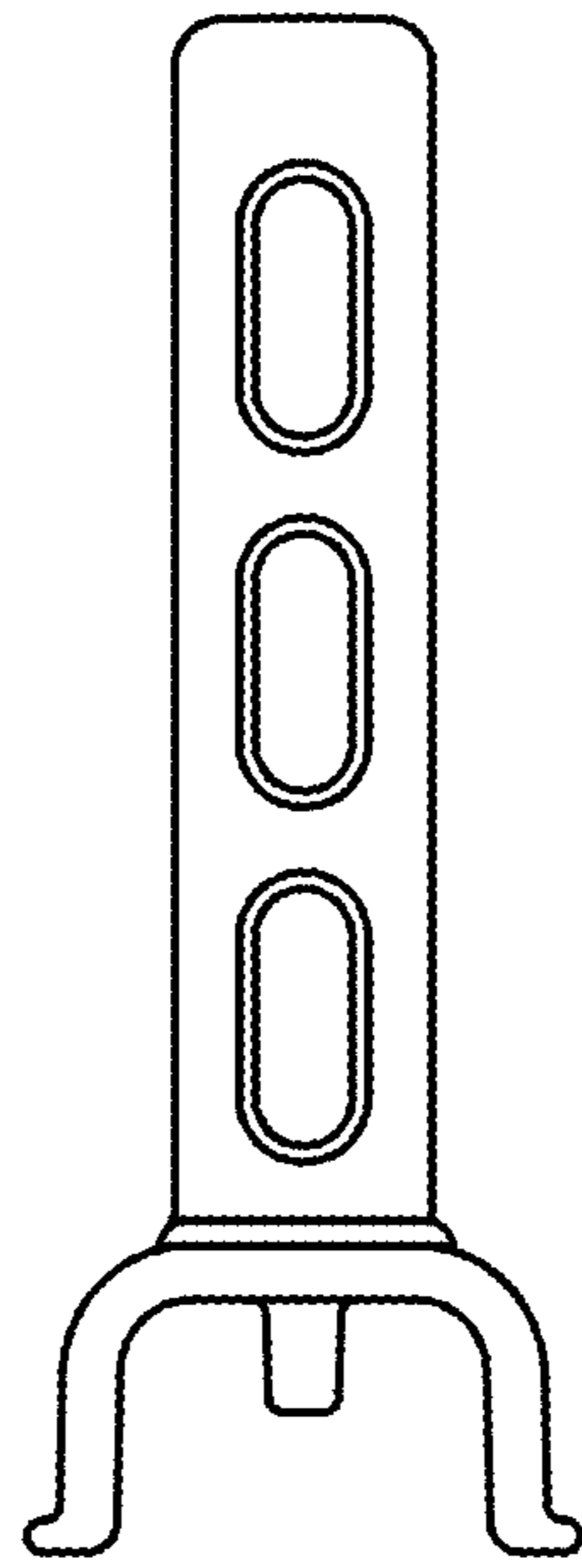


FIG. 81

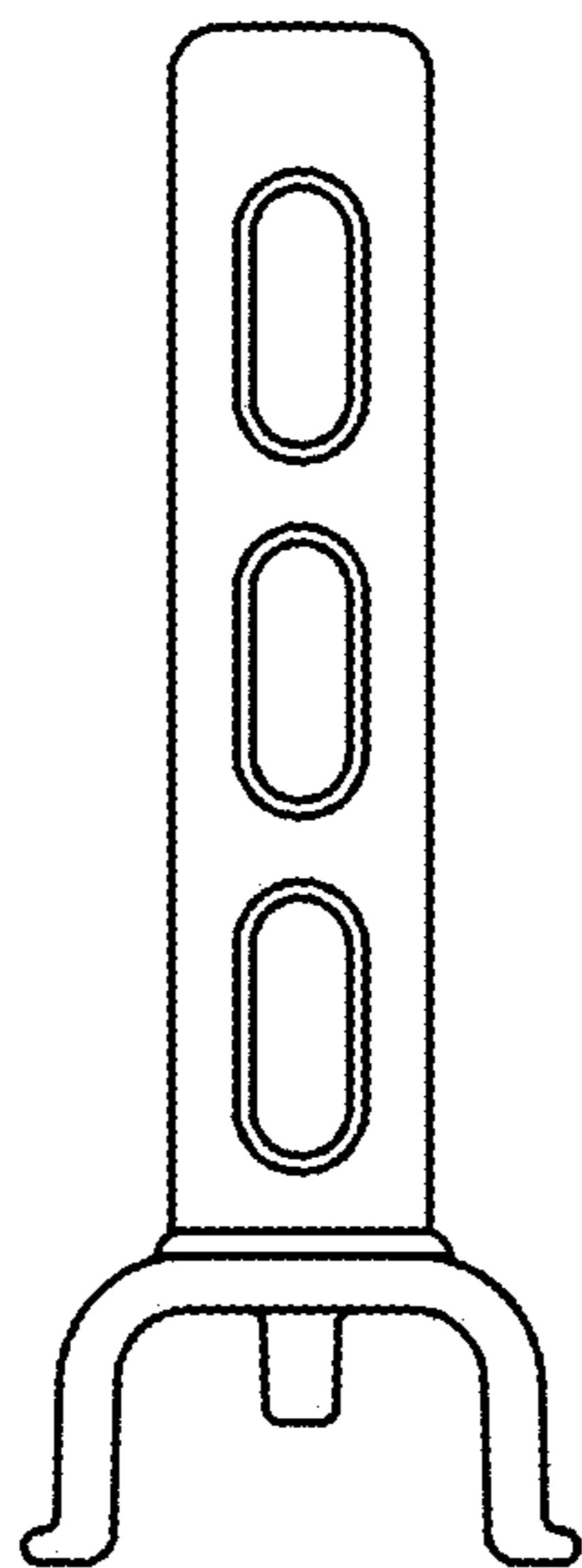


FIG. 82

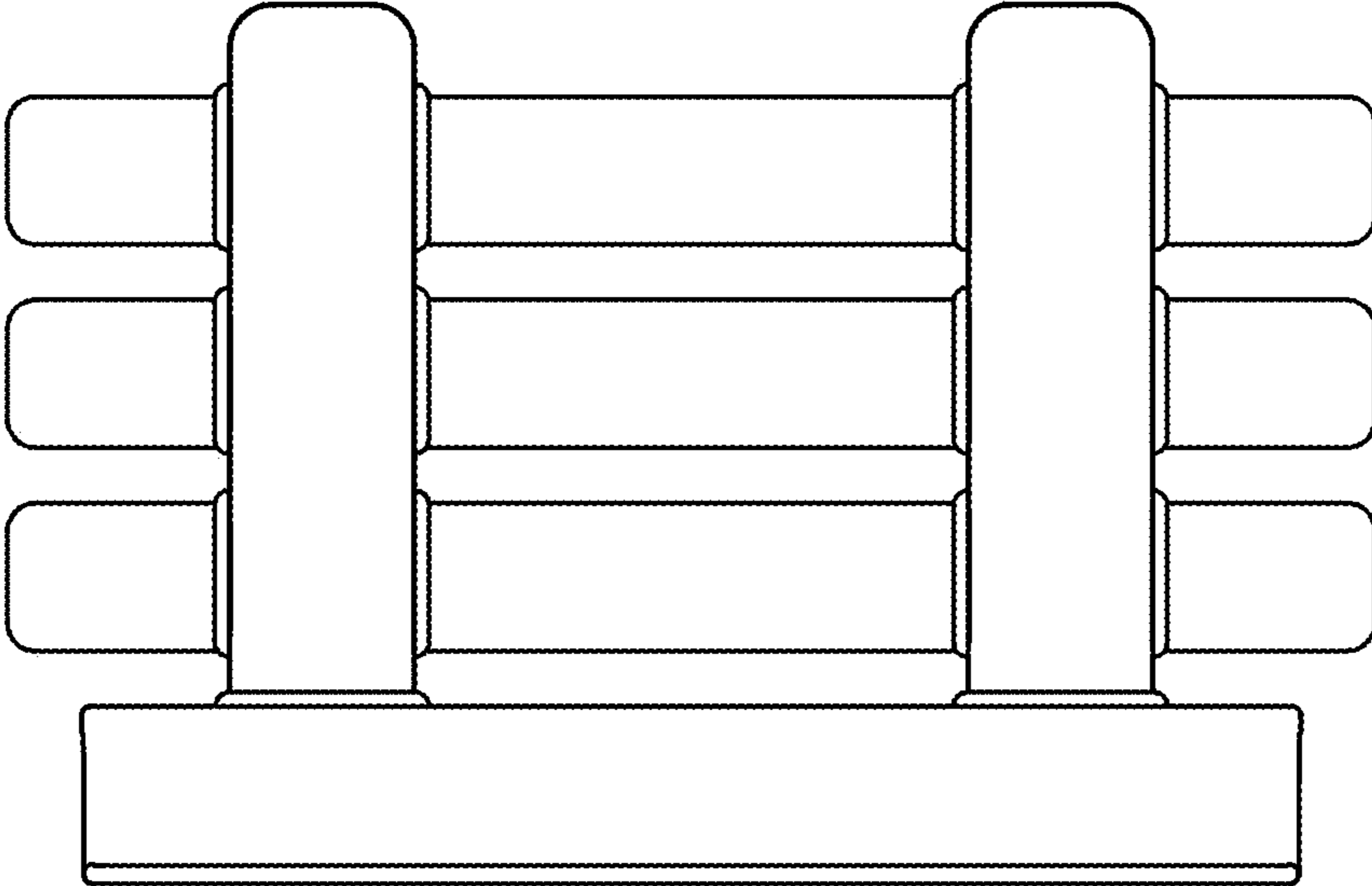


FIG. 83

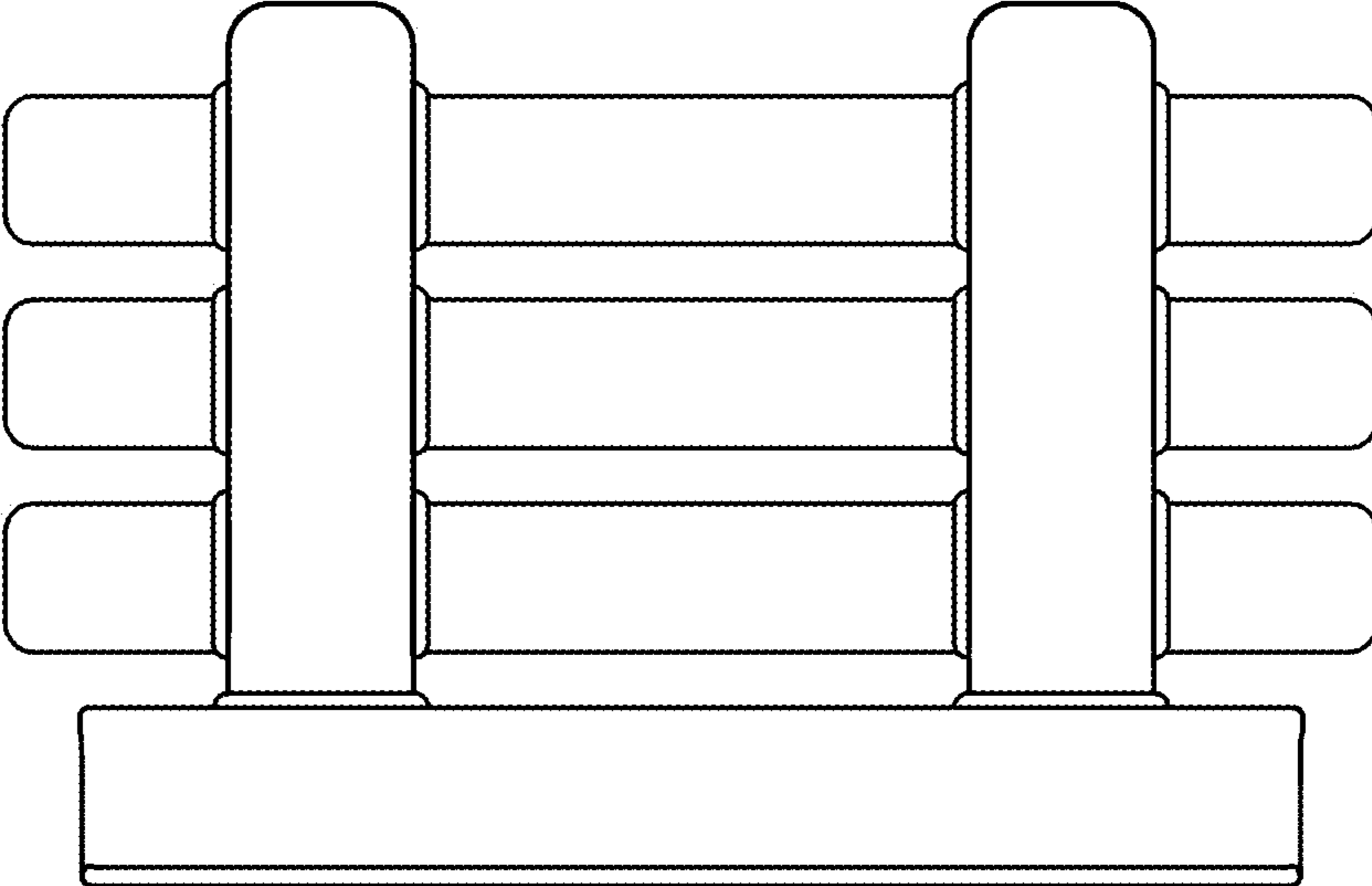


FIG. 84





FIG. 85

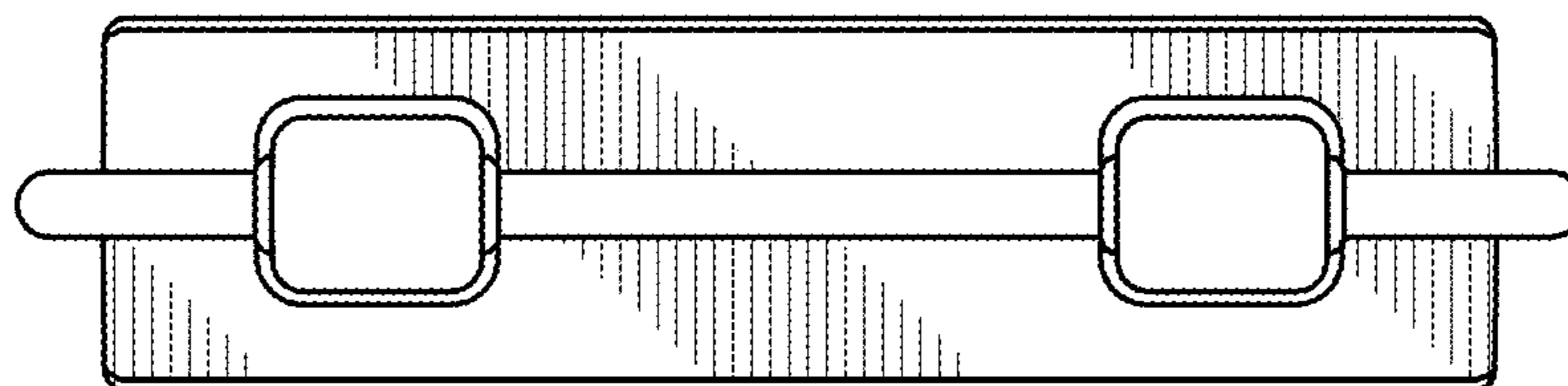


FIG. 86

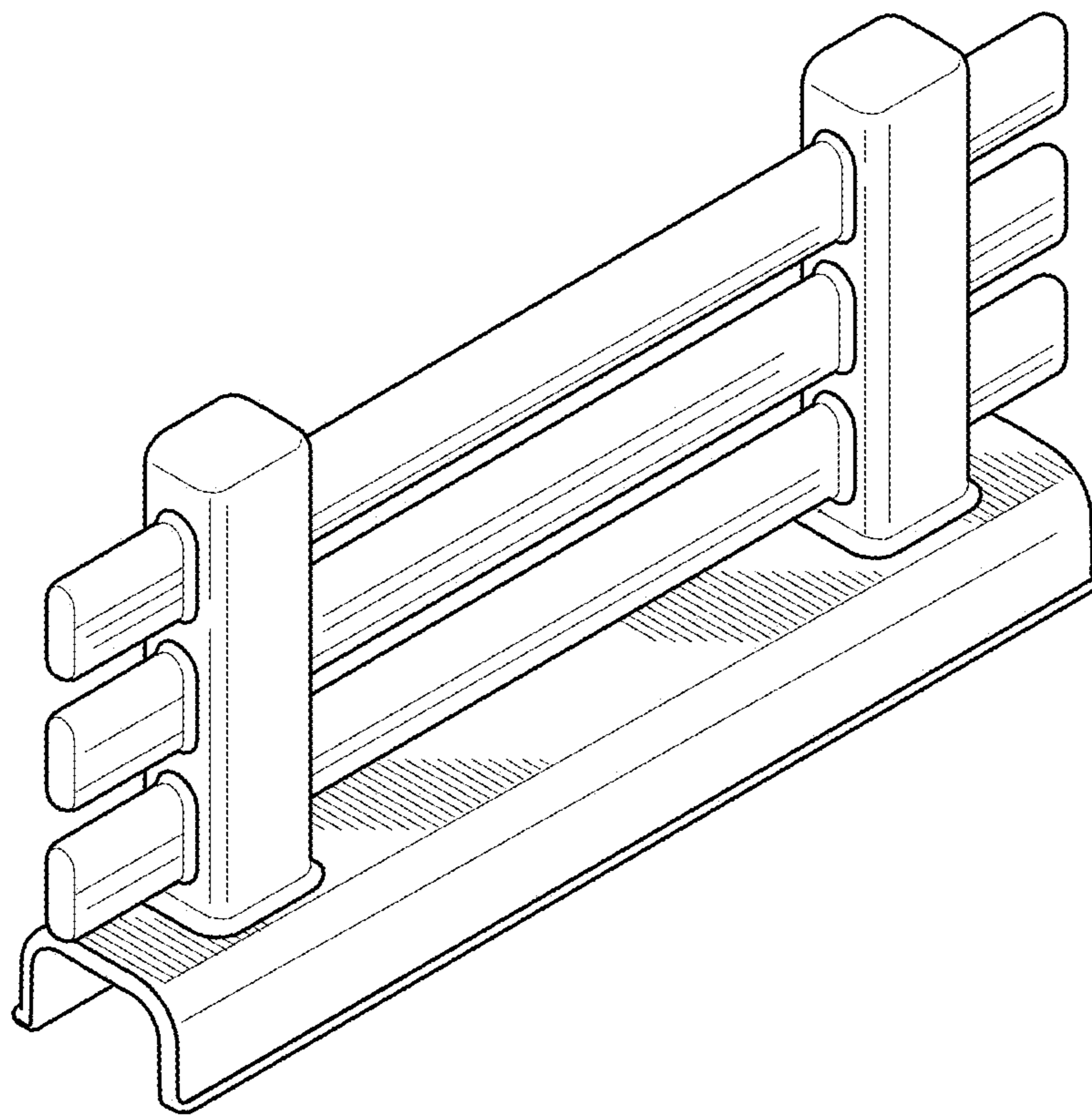


FIG. 87

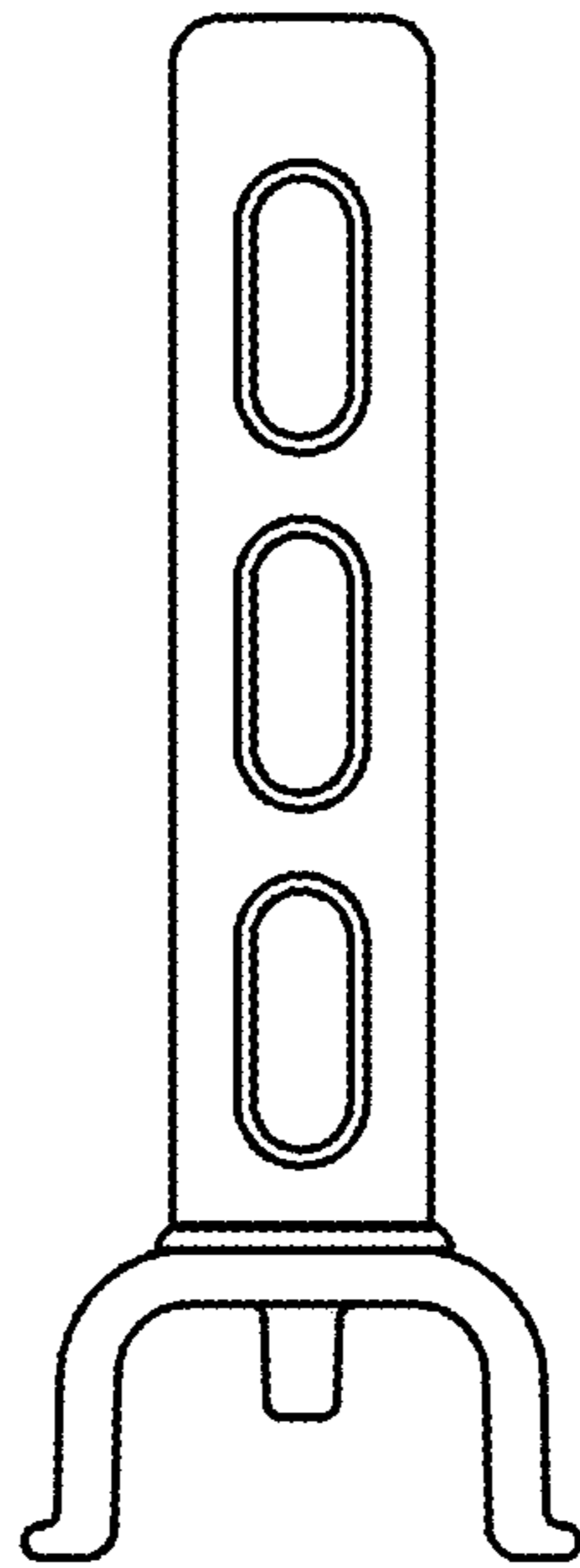


FIG. 88

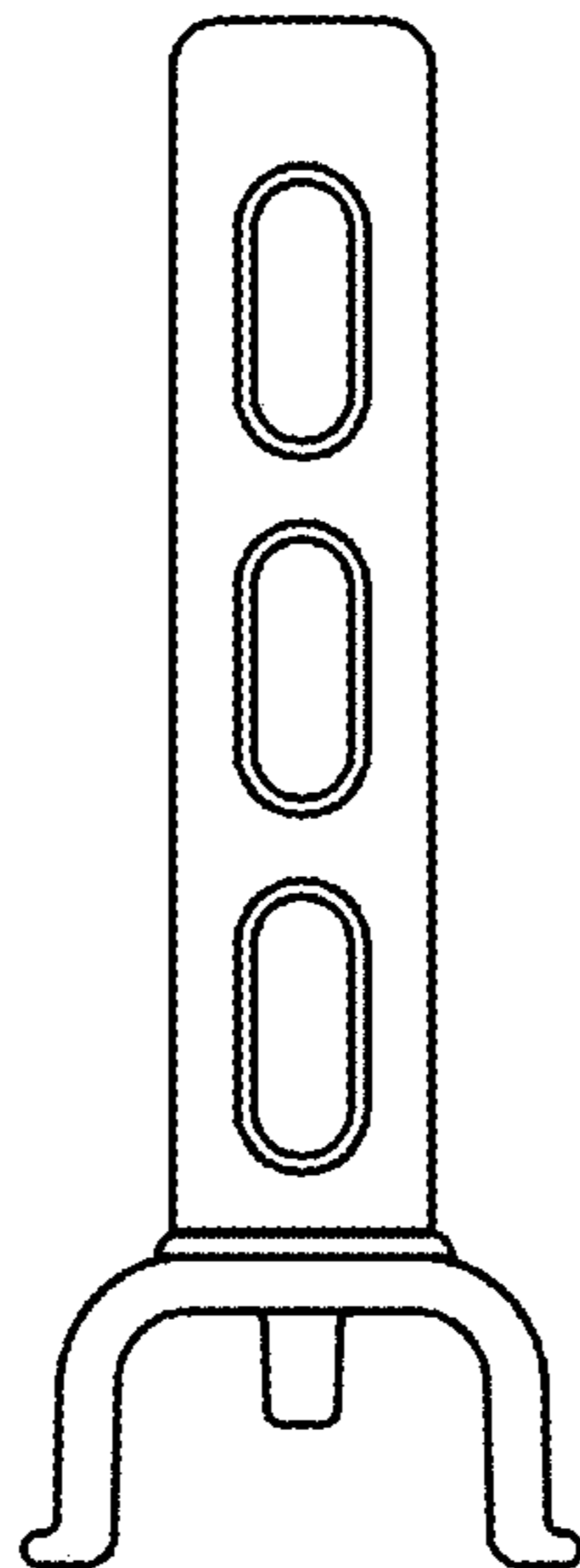


FIG. 89

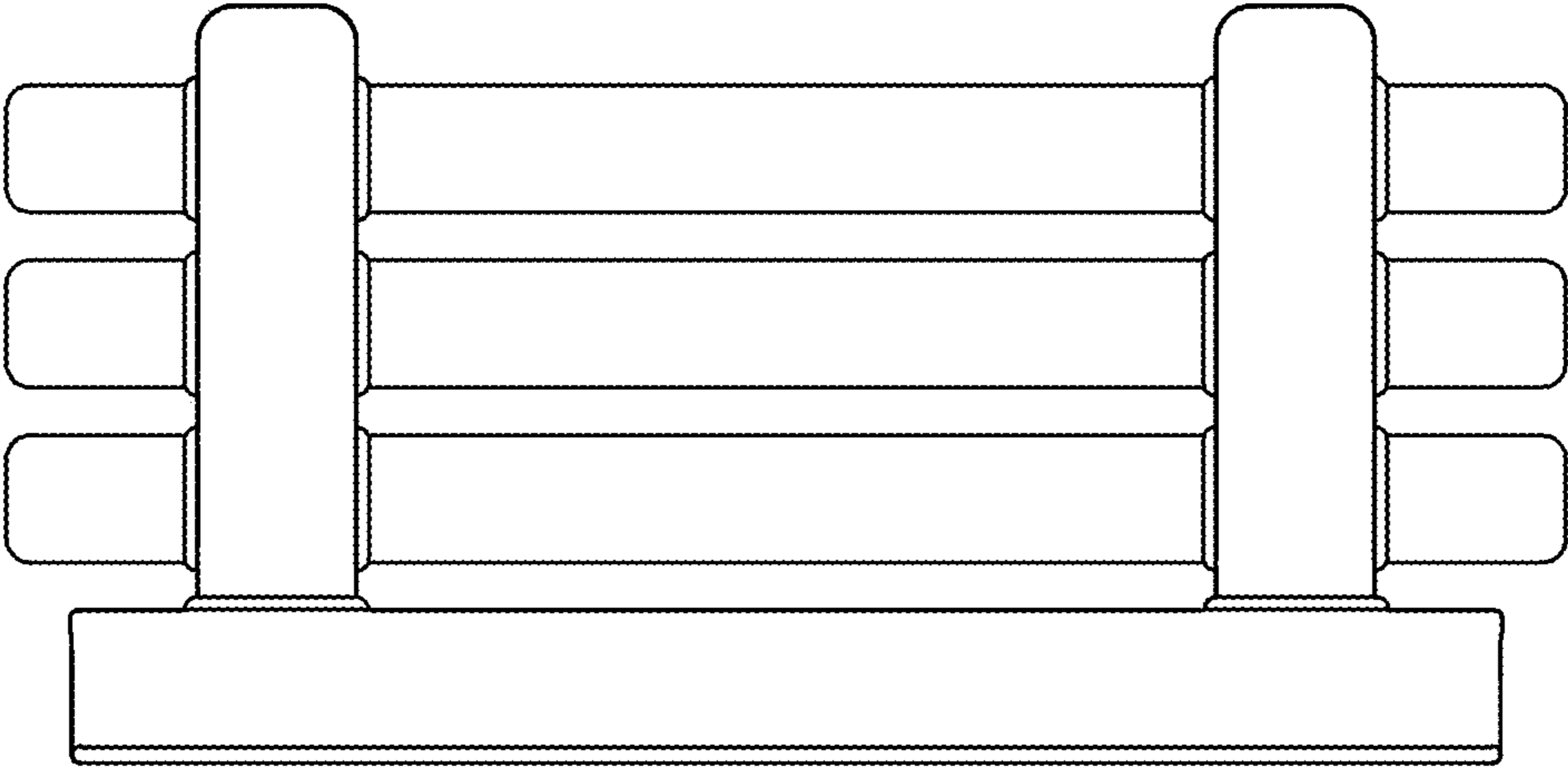


FIG. 90

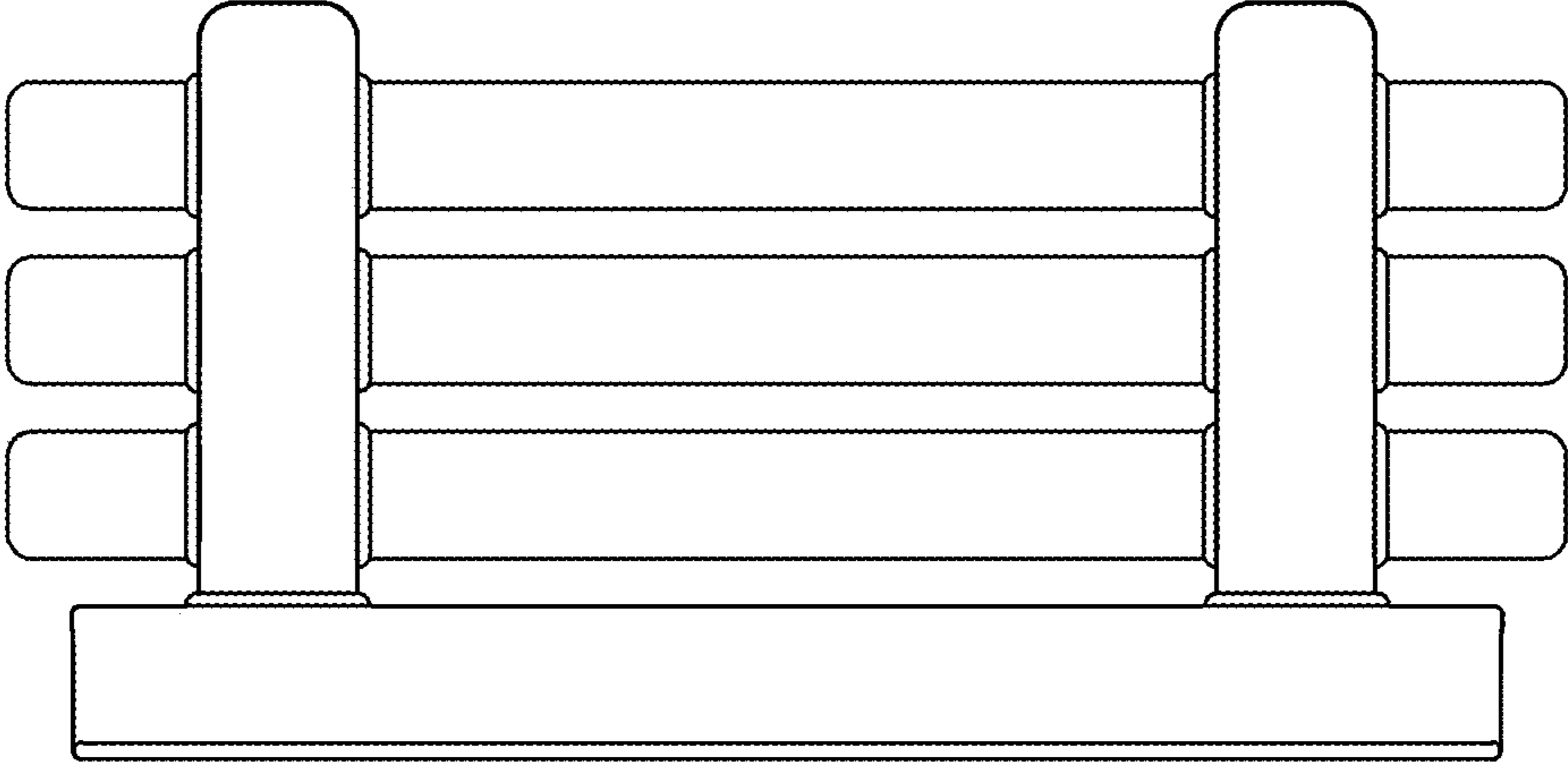


FIG. 91

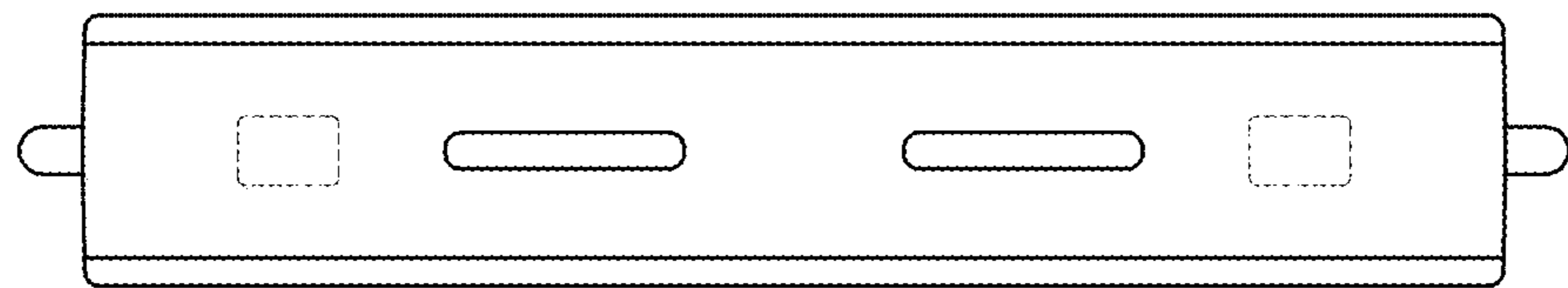


FIG. 92

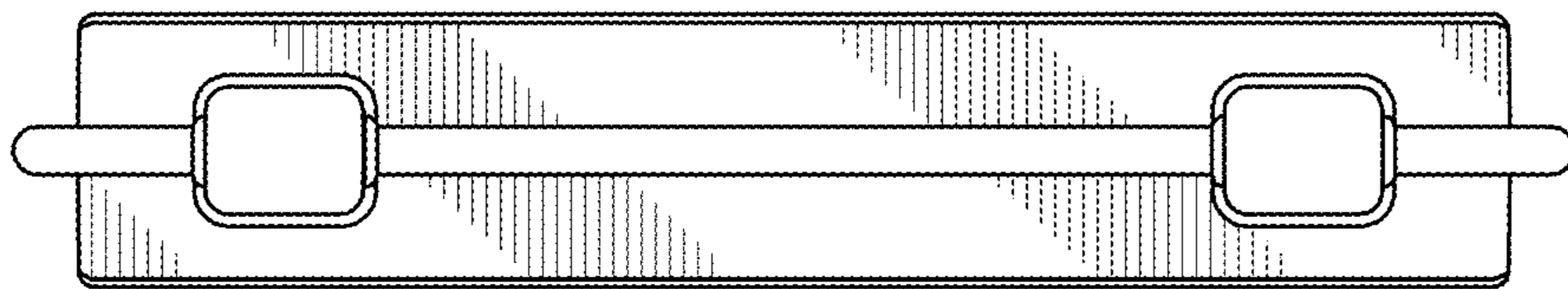


FIG. 93