



US00D975795S

(12) **United States Design Patent**
Susuki

(10) **Patent No.:** **US D975,795 S**
(45) **Date of Patent:** **** Jan. 17, 2023**

(54) **TOY DRESSING TABLE**

FOREIGN PATENT DOCUMENTS

(71) Applicant: **EPOCH COMPANY, LTD**, Tokyo (JP)

JP D1608406 7/2018

(72) Inventor: **Momoko Susuki**, Tokyo (JP)

OTHER PUBLICATIONS

(73) Assignee: **EPOCH COMPANY, LTD.**, Tokyo (JP)

Calico Critters Pony's Stylish Hair Salon, Dollhouse Playset with Figure and Accessories, shown in www.amazon.com. Web. Oct. 21, 2021. ASIN B09LZ7LRVV. (Year: 2021).*
RU—OA 2021502216 on Oct. 26, 2021.

(**) Term: **15 Years**

* cited by examiner

(21) Appl. No.: **29/788,276**

(22) Filed: **Apr. 21, 2021**

Primary Examiner — Gino Colan

Assistant Examiner — Gregory G McLemore

(30) **Foreign Application Priority Data**

(74) *Attorney, Agent, or Firm* — Fitzgerald IP Law; John K Fitzgerald, Esq.

Oct. 30, 2020 (JP) 2020-023575 D

(51) **LOC (14) Cl.** **21-01**

(57) **CLAIM**

The ornamental design for a toy dressing table, as shown and described.

(52) **U.S. Cl.**

USPC **D21/522**

DESCRIPTION

(58) **Field of Classification Search**

USPC D21/483, 507, 510, 519, 522, 530

CPC A63H 3/52; A63H 33/42; A47B 67/00;

A47B 67/005; A47D 5/00

See application file for complete search history.

FIG. 1 is a perspective view of portions of the front, top, and left sides of a toy dressing table showing my new design; FIG. 2 is a perspective view of portions of the rear, top, right sides thereof;

FIG. 3 is a front view thereof;

FIG. 4 is a rear view thereof;

FIG. 5 is a top plan view thereof;

FIG. 6 is a right side view thereof; and,

FIG. 7 is a left side view thereof.

The broken lines shown are included for the purpose of illustrating portions of the article which form no part of the claimed design.

(56) **References Cited**

U.S. PATENT DOCUMENTS

D276,741 S * 12/1984 Appel D21/522

D370,947 S * 6/1996 Pipik D21/524

D604,960 S * 12/2009 Garbin D6/664.1

D724,868 S * 3/2015 Liu D6/664.1

D789,119 S * 6/2017 Schmitt D6/664.1

D901,907 S * 11/2020 Sakai D6/303

1 Claim, 7 Drawing Sheets

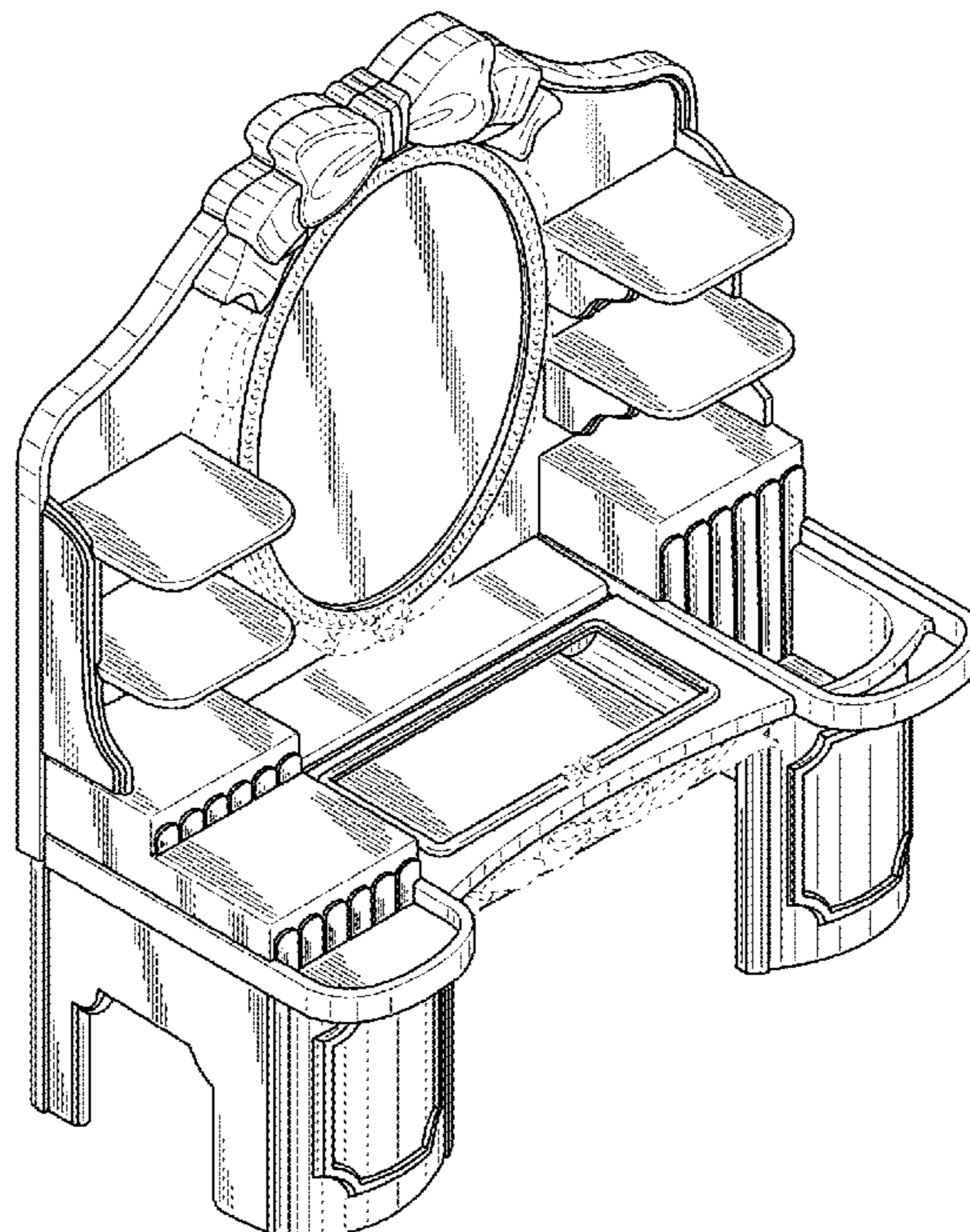


FIG. 1

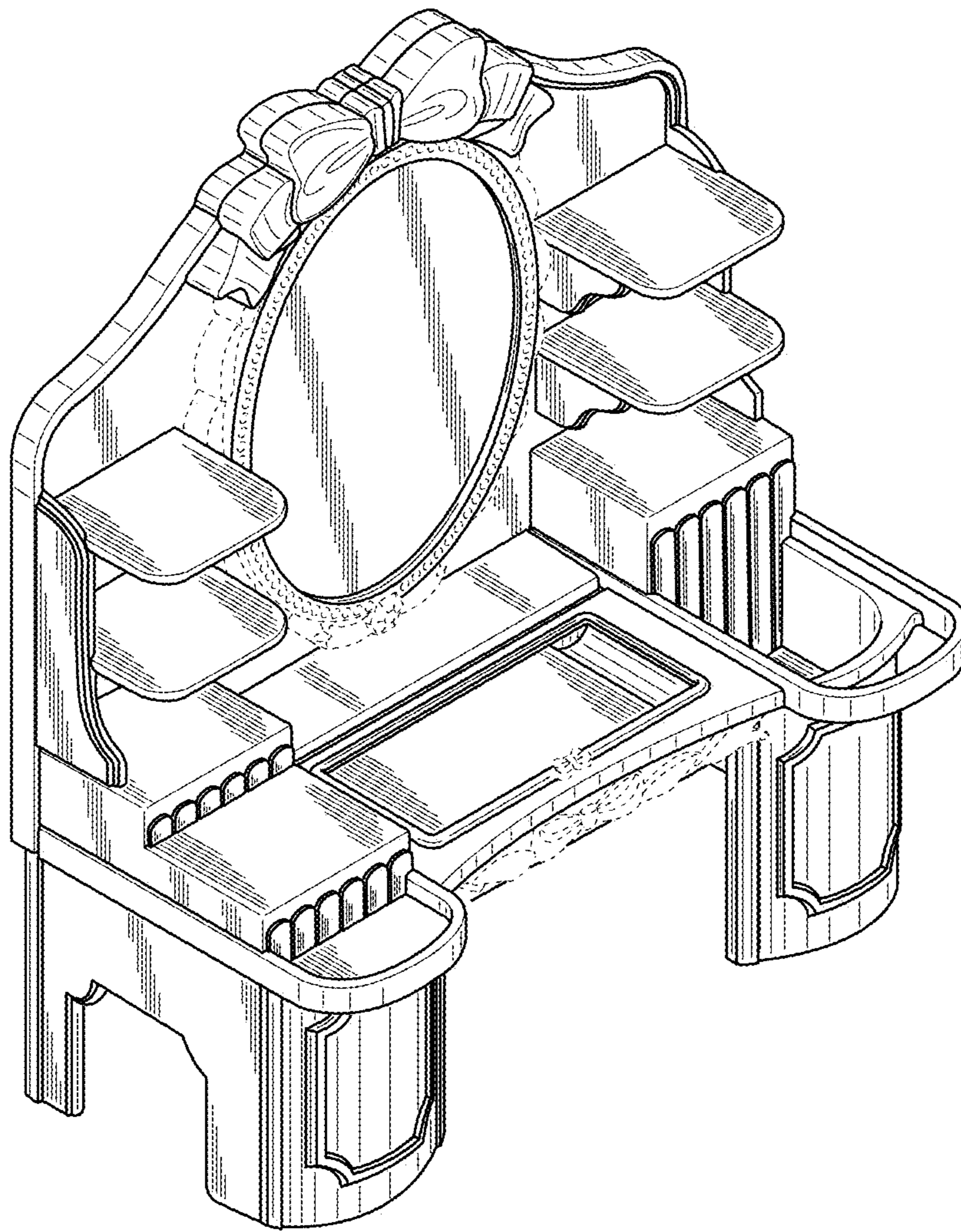


FIG. 2

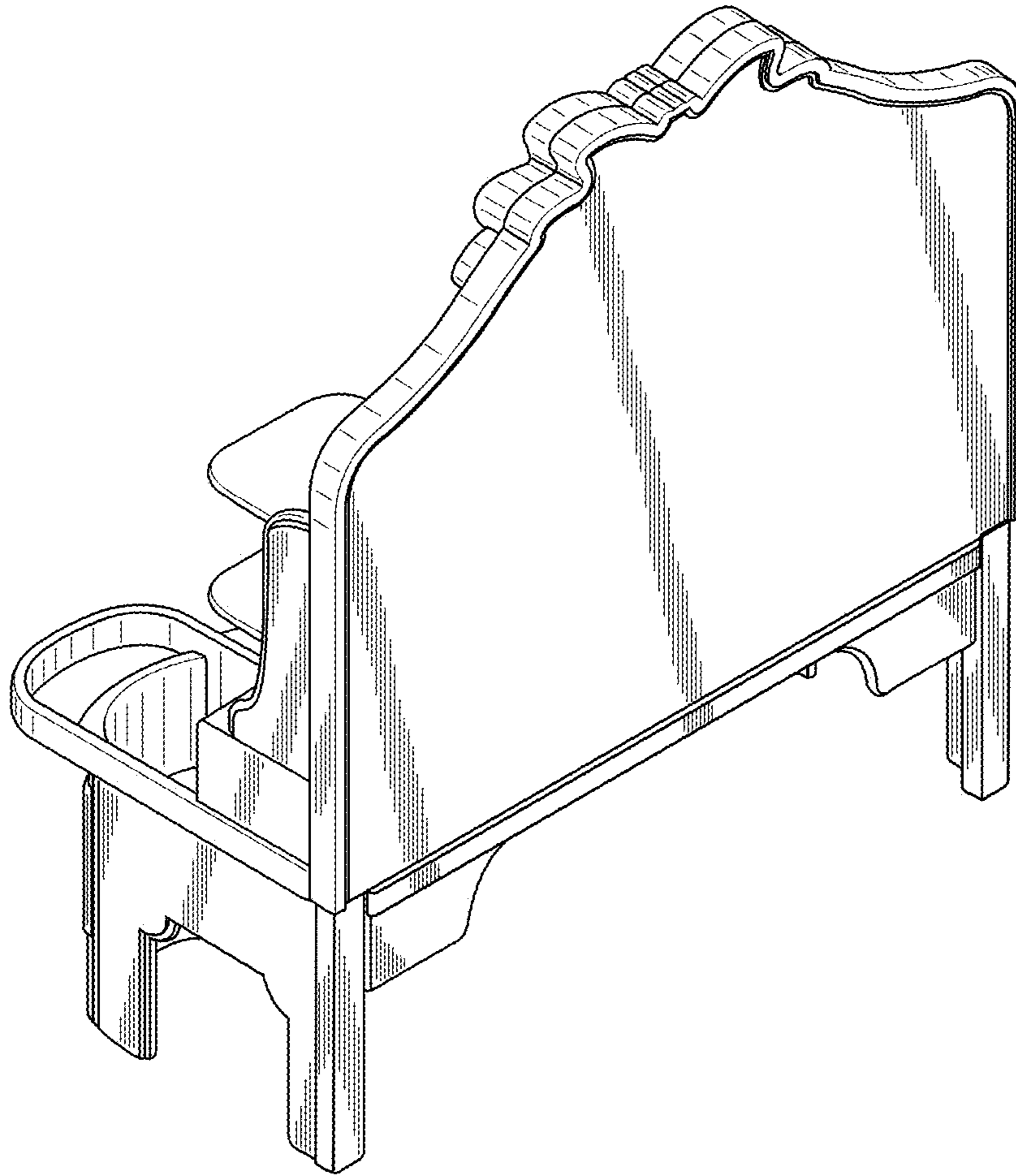


FIG. 3

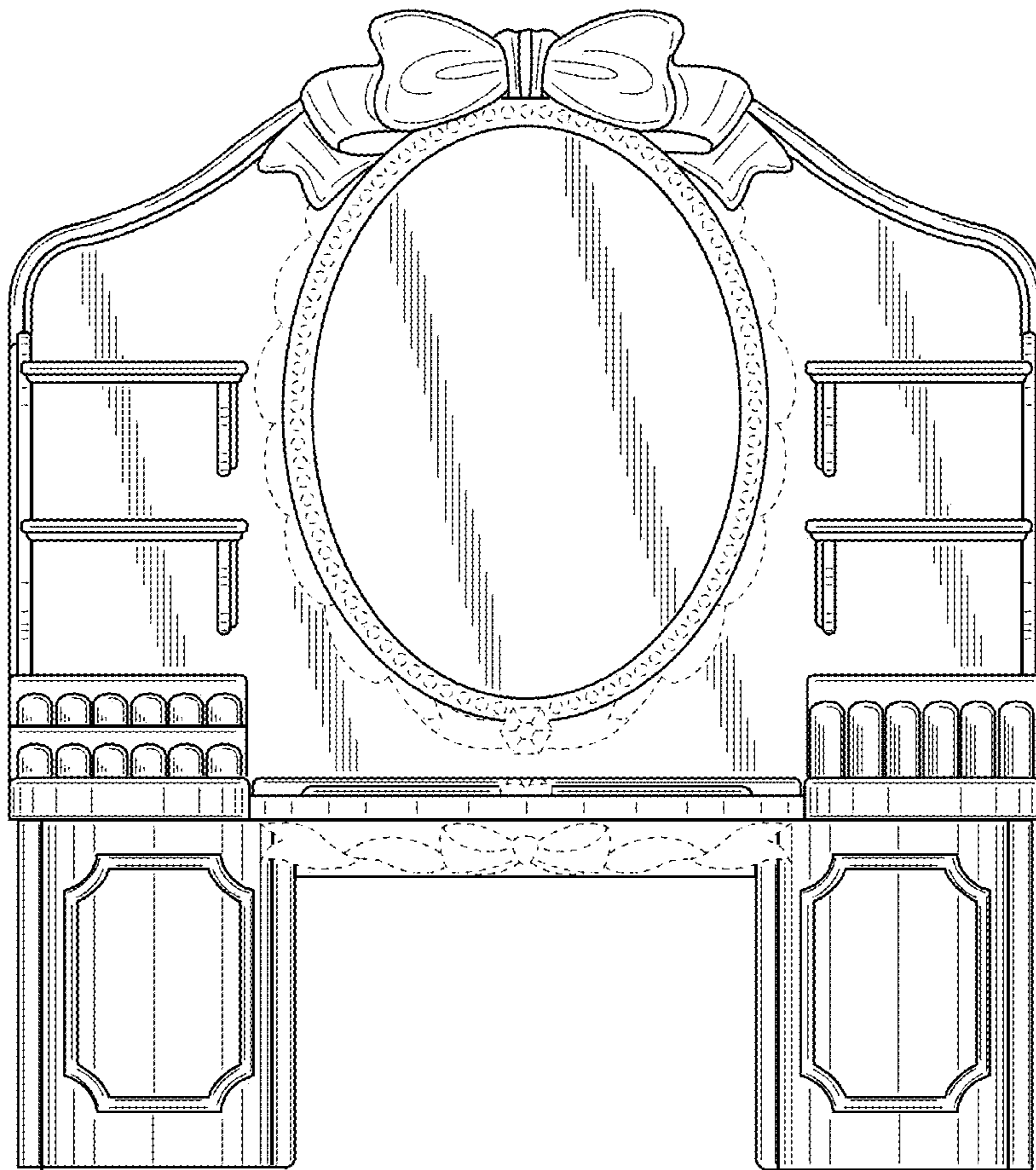


FIG. 4

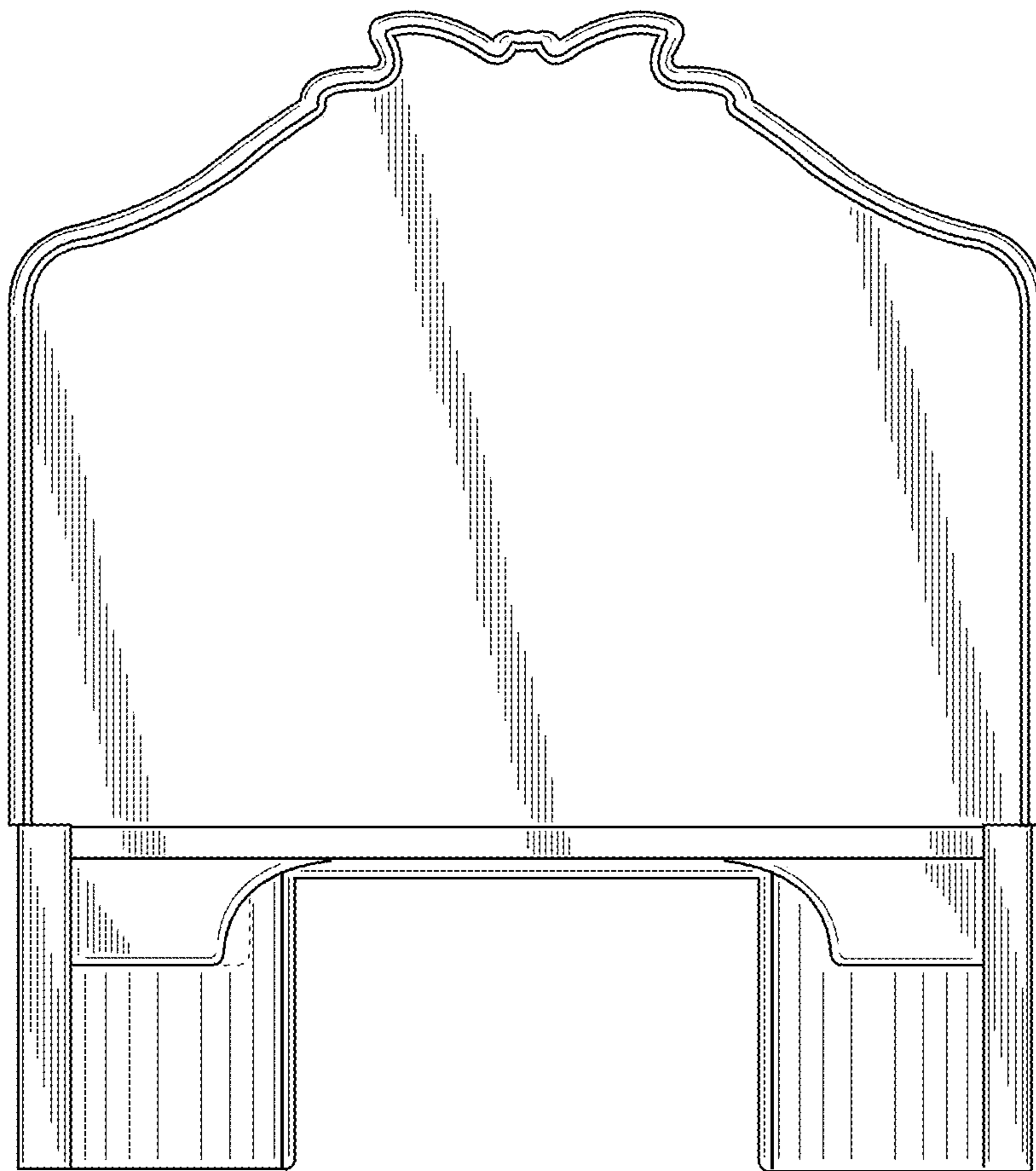


FIG. 5

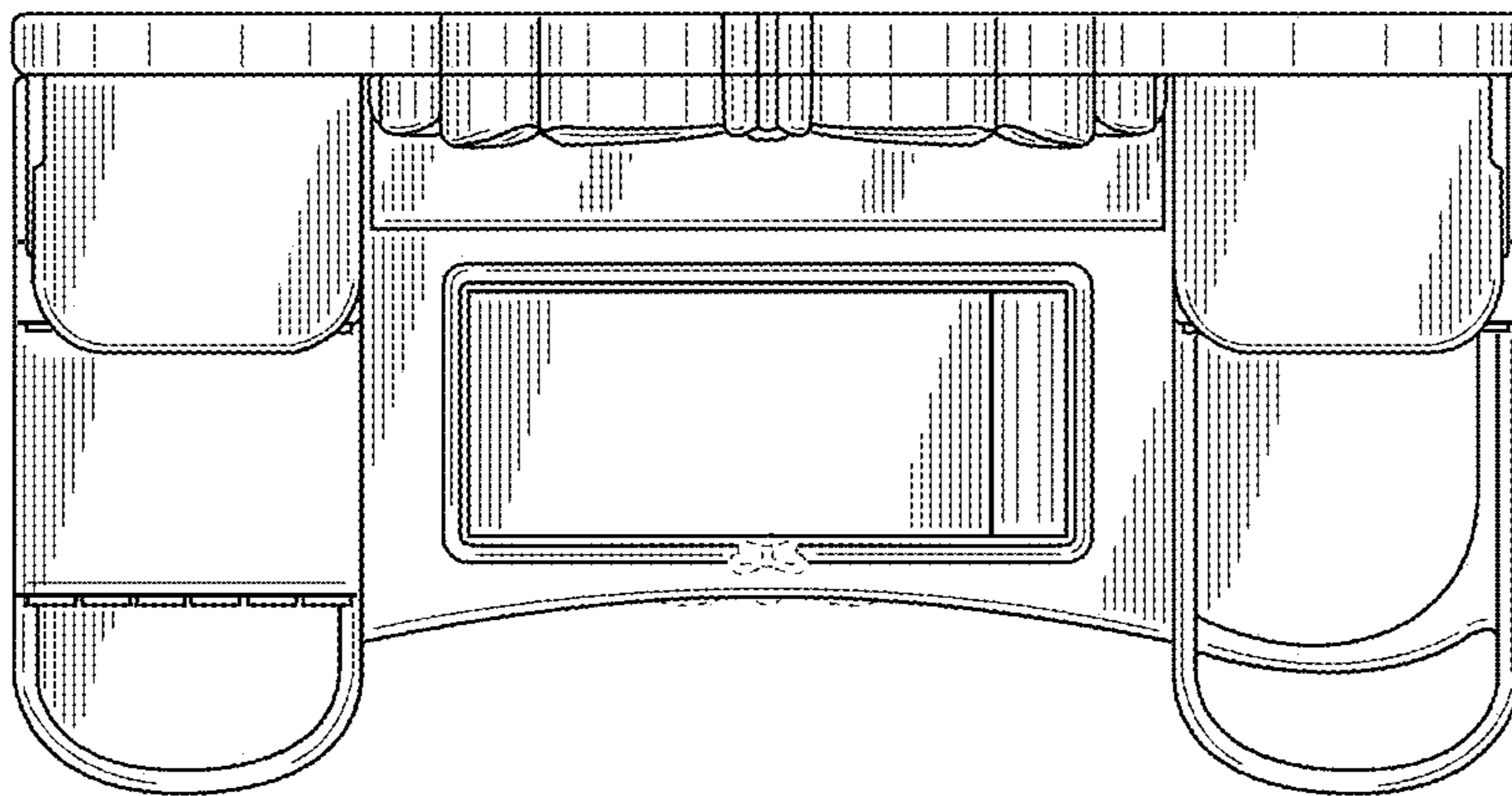


FIG. 6

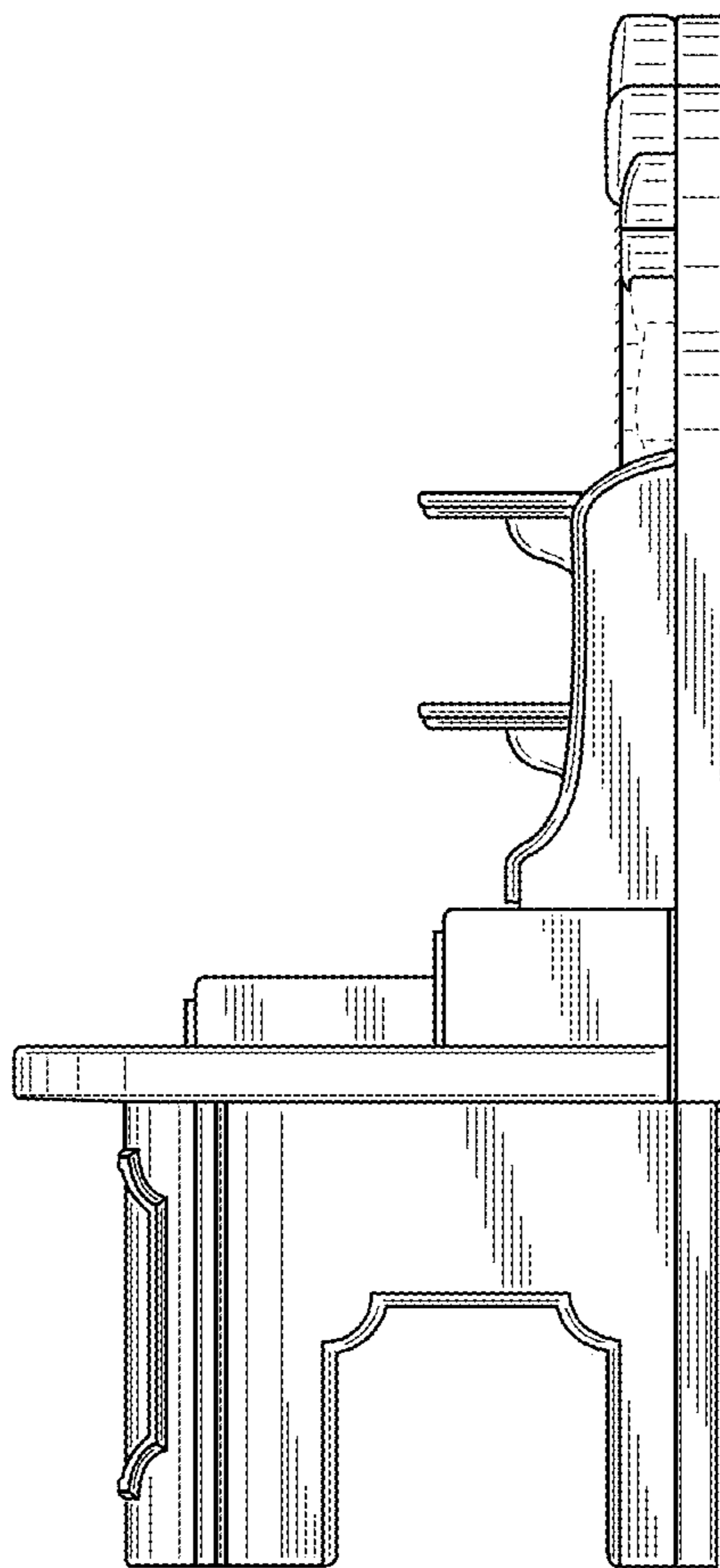


FIG. 7

