



US00D975790S

(12) **United States Design Patent** (10) **Patent No.:** **US D975,790 S**
Xu (45) **Date of Patent:** **** Jan. 17, 2023**

(54) **ACTIVITY GYM FOR BABIES**
(71) Applicant: **SHENZHEN CONGLIDA TECHNOLOGY CO., LTD.**, Shenzhen (CN)

10,981,077 B1 * 4/2021 Rolph A63H 33/006
D926,075 S * 7/2021 Deng D21/468
2001/0003695 A1 * 6/2001 Tell A63H 33/006
446/227

(Continued)

(72) Inventor: **Sifeng Xu**, Shenzhen (CN)
(73) Assignee: **SHENZHEN CONGLIDA TECHNOLOGY CO., LTD.**, Shenzhen (CN)

OTHER PUBLICATIONS

Battop Baby Play Mat, Amazon.com, Aug. 15, 2021, retrieved Nov. 9, 2022, https://www.amazon.com/BATTOP-Activity-Cognitive-Development-Newborns/dp/B0949DGTWK/ref=cm_cr_arpl_foot_top?ie=UTF8 (Year: 2021).*

(Continued)

(**) Term: **15 Years**

Primary Examiner — Katherine A Holbrow
(74) *Attorney, Agent, or Firm* — True Shepherd, LLC; Andrew Cheng

(21) Appl. No.: **29/822,910**

(22) Filed: **Jan. 12, 2022**

(51) **LOC (14) Cl.** **21-01**

(52) **U.S. Cl.**
USPC **D21/475**; D21/467; D6/331

(58) **Field of Classification Search**
USPC D21/467, 468, 475; D6/331, 389–392, D6/592

CPC A47D 13/06; A47D 15/008; A47D 13/061; A47D 13/065; A47D 15/00; A47D 9/012; A63H 33/006; A63H 1/20; A63H 33/008
See application file for complete search history.

(57) **CLAIM**

The ornamental design for an activity gym for babies, as shown and described.

DESCRIPTION

FIG. 1 is a front, right and top perspective view of an activity gym for babies, showing my design.
FIG. 2 is a rear, left and top perspective view thereof.
FIG. 3 is a front elevation view thereof.
FIG. 4 is a rear elevation view thereof.
FIG. 5 is a right side elevation view thereof.
FIG. 6 is a left side elevation view thereof.
FIG. 7 is a top plan view thereof.
FIG. 8 is a bottom plan view thereof; and,
FIG. 9 is a partial enlarged view of an area labeled 9 in FIG. 2 comprising a ring.

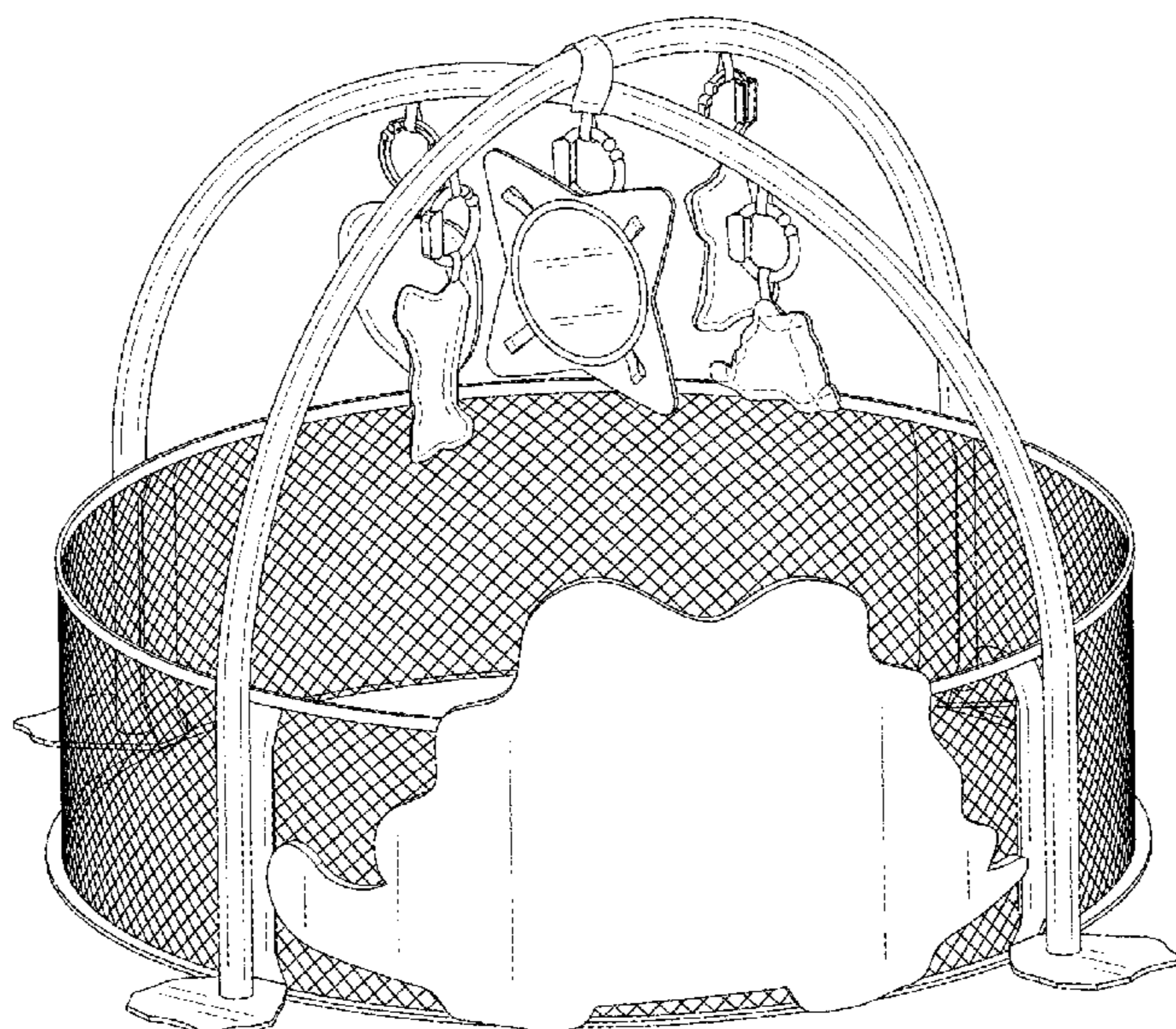
The broken lines shown in the drawings are included for the purpose of illustrating portions of the activity gym for babies that form no part of the claimed design. In addition, the dot-dash broken lines in the drawings illustrate an enlarged portion of the design.

(56) **References Cited**

U.S. PATENT DOCUMENTS

D145,052 S * 6/1946 Boisselier 5/93.1
D329,260 S * 9/1992 Williams D21/468
D408,192 S 4/1999 Chiang
7,490,379 B2 * 2/2009 Solomon A47D 15/003
5/655
7,621,235 B2 * 11/2009 Genitrini A01K 15/025
119/706
D626,755 S * 11/2010 Spitz D6/331
8,460,053 B2 * 6/2013 Fair B62B 9/26
5/655
D818,543 S 5/2018 Zanger
D862,913 S * 10/2019 Jin D6/331

1 Claim, 9 Drawing Sheets



(56)

References Cited

U.S. PATENT DOCUMENTS

2004/0266312 A1* 12/2004 Oren A45D 42/16
446/227
2011/0065353 A1* 3/2011 Chininis A63H 33/006
446/227
2013/0065480 A1* 3/2013 Elson A63H 33/006
446/227
2016/0101369 A1* 4/2016 Austern A63H 33/006
446/227
2017/0164900 A1* 6/2017 Johnson A61B 5/7455
2019/0099685 A1* 4/2019 Rolph A63H 33/006
2022/0249969 A1* 8/2022 Weiss A63H 33/008

OTHER PUBLICATIONS

Battop Baby Play Mat, Amazon.com, Sep. 9, 2021.pdf, retrieved
Nov. 9, 2022, https://www.amazon.com/BATTOP-Activity-Cognitive-Development-Toddlers%EF%BC%88Pink%EF%BC%89/dp/B0949BJG1V/ref=cm_cr_arp_d_pl_foot_top?ie=UTF8 (Year: 2021).*

WYSWYG Baby Play Mat, Mar. 11, 2020, amazon.com, retrieved
Nov. 9, 2022, https://www.amazon.com/WYSWYG-Stimulating-Baby-Play-Mat/dp/B083J2G3MK/ref=cm_cr_arp_d_pl_foot_top?ie=UTF8 (Year: 2020).*

* cited by examiner

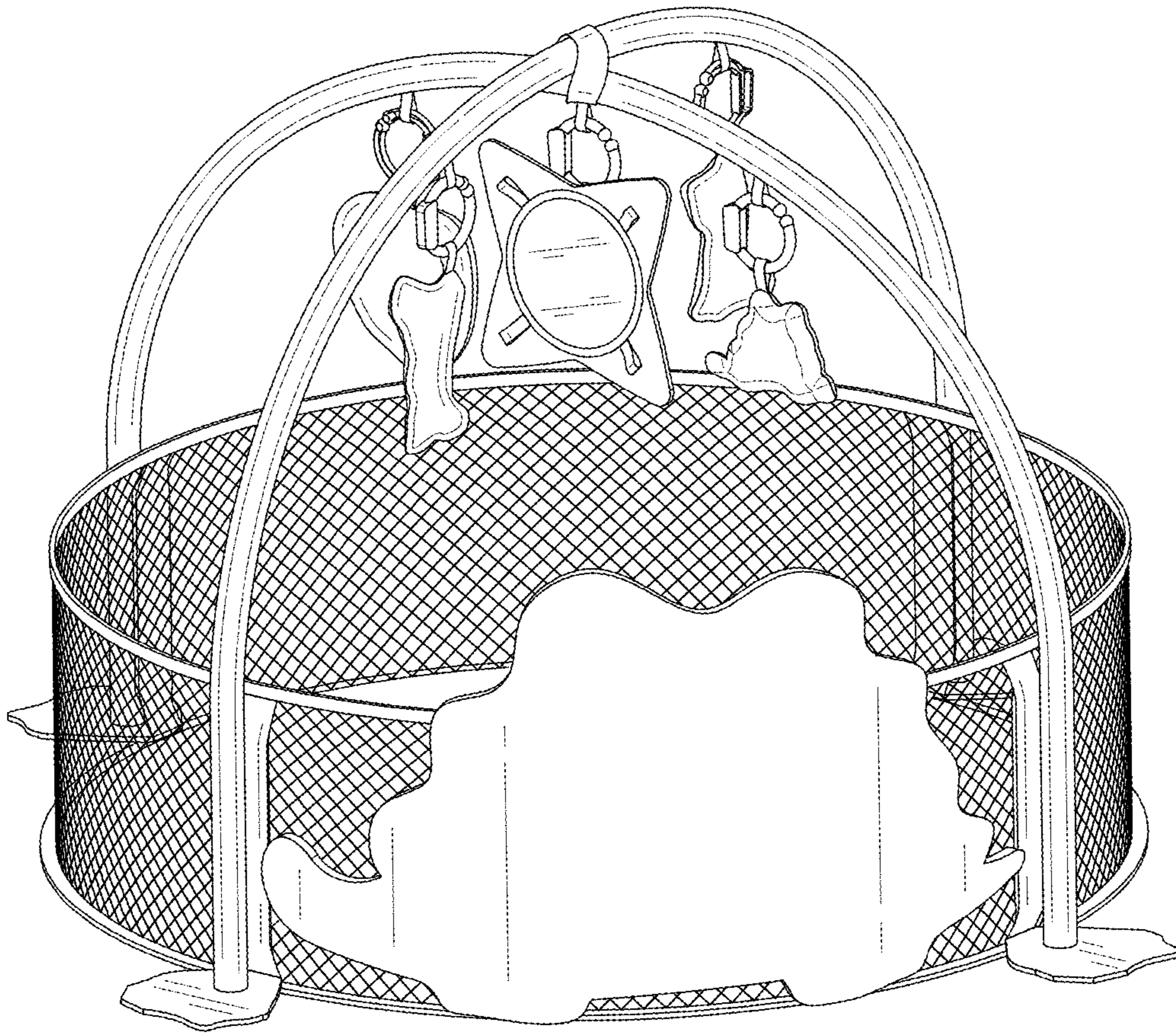


FIG. 1

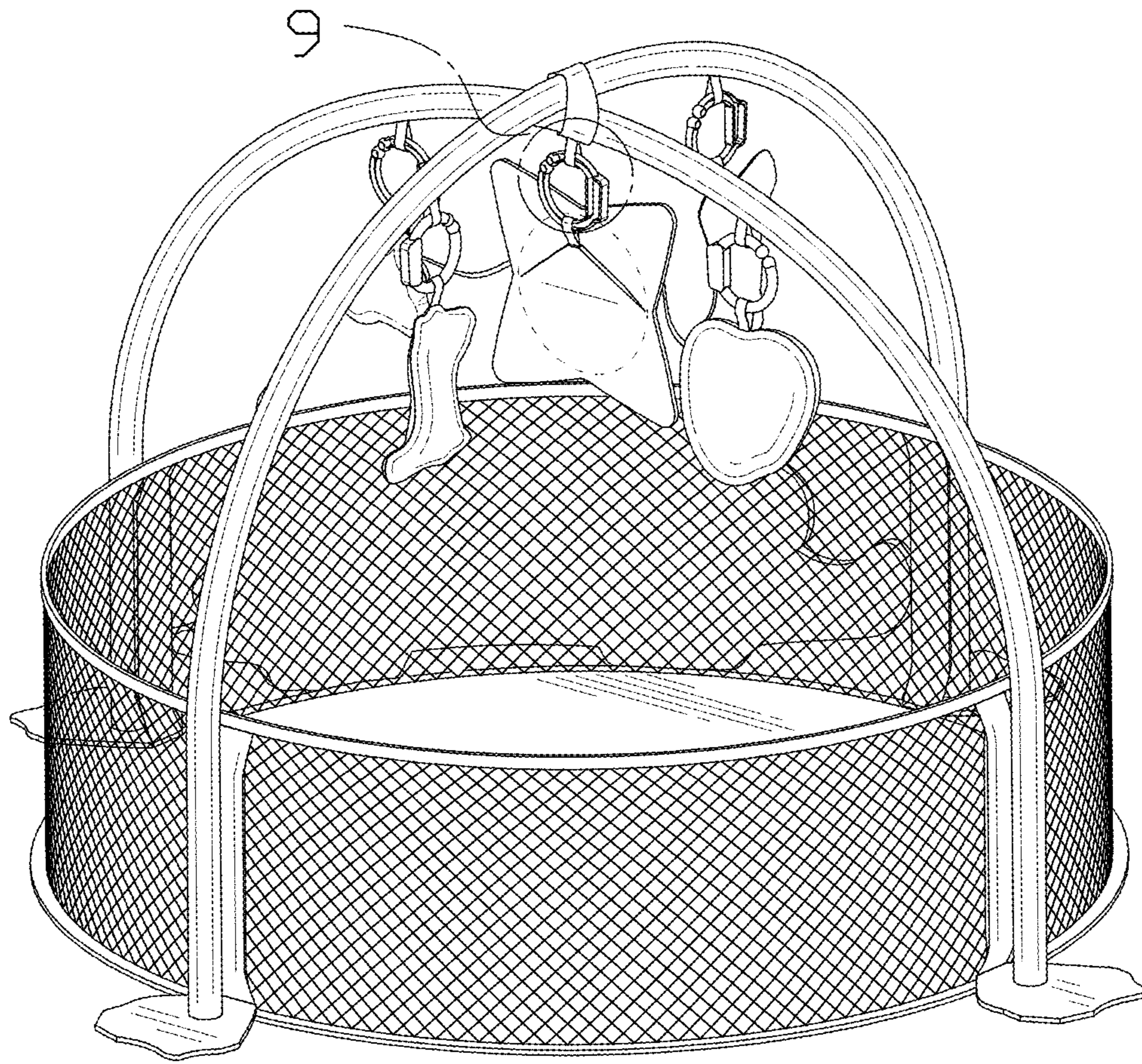


FIG. 2

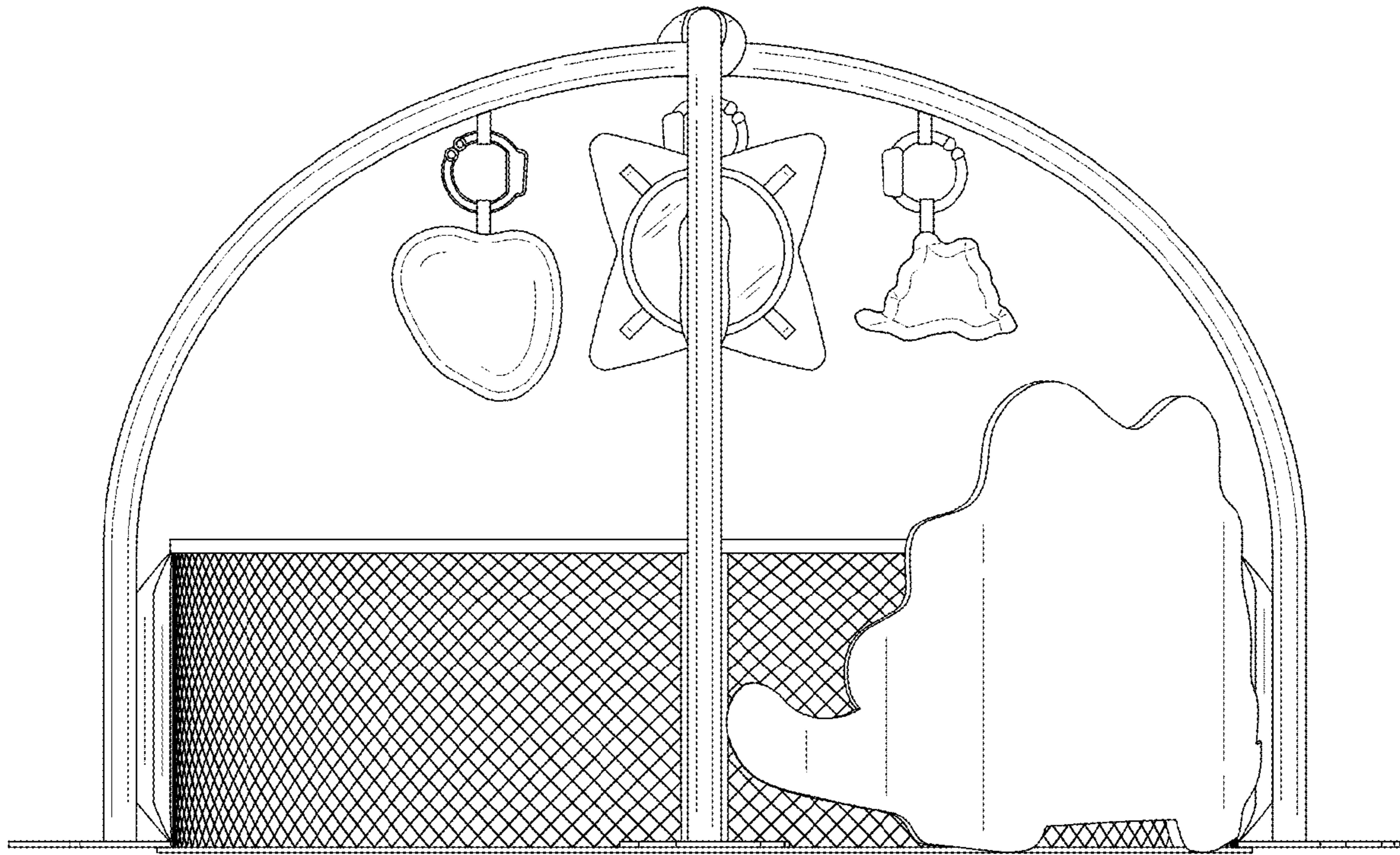


FIG. 3

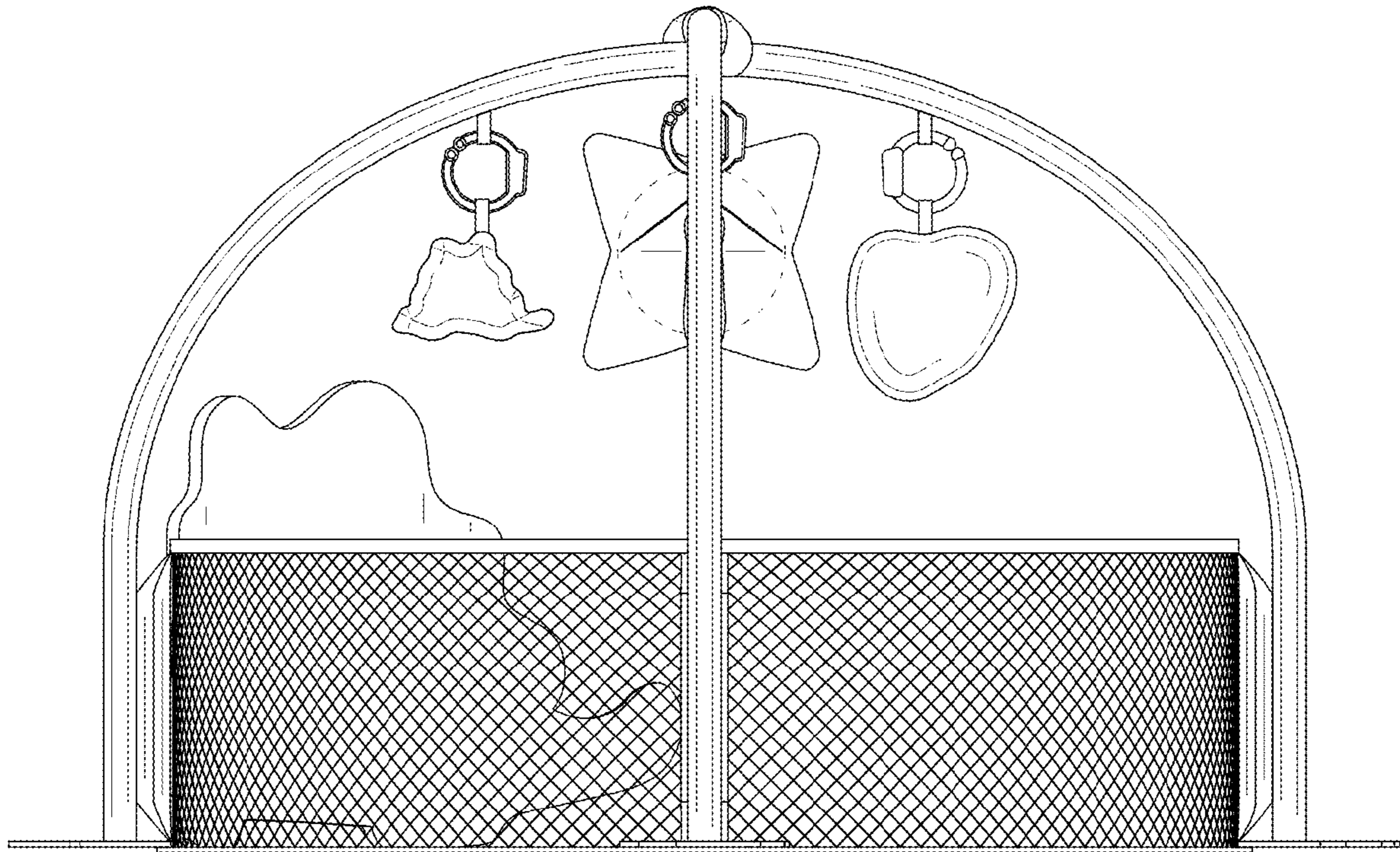


FIG. 4

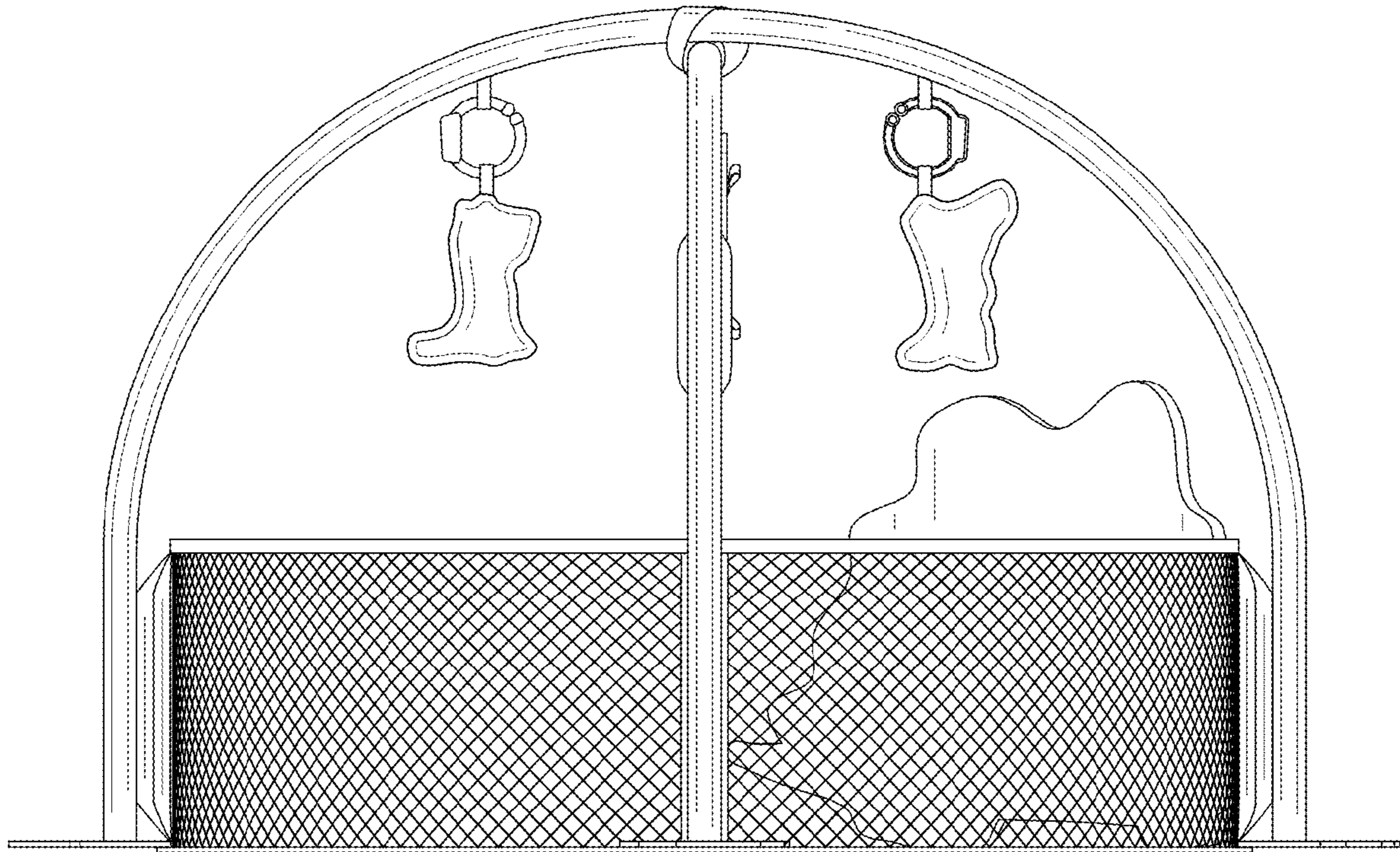


FIG. 5

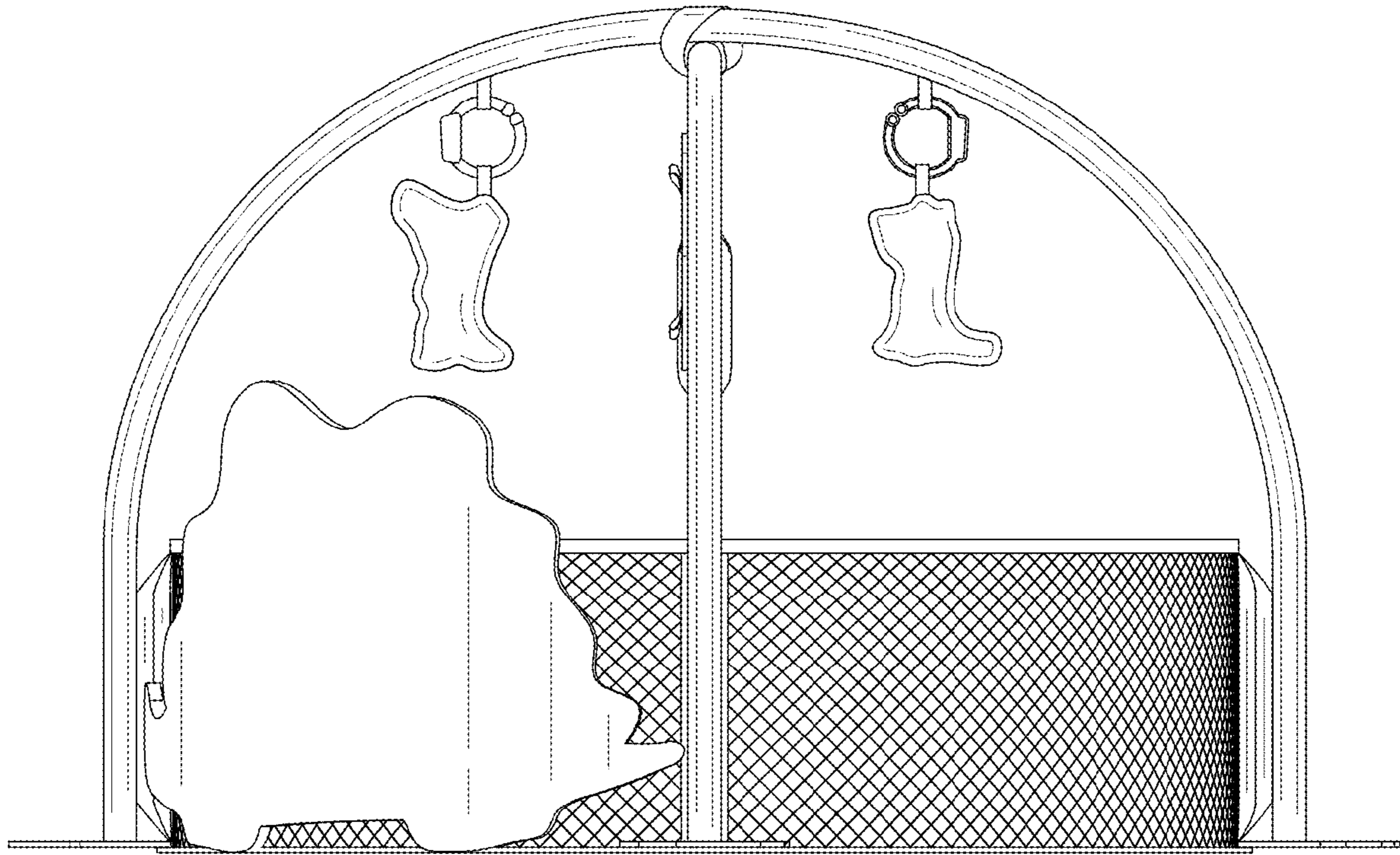


FIG. 6

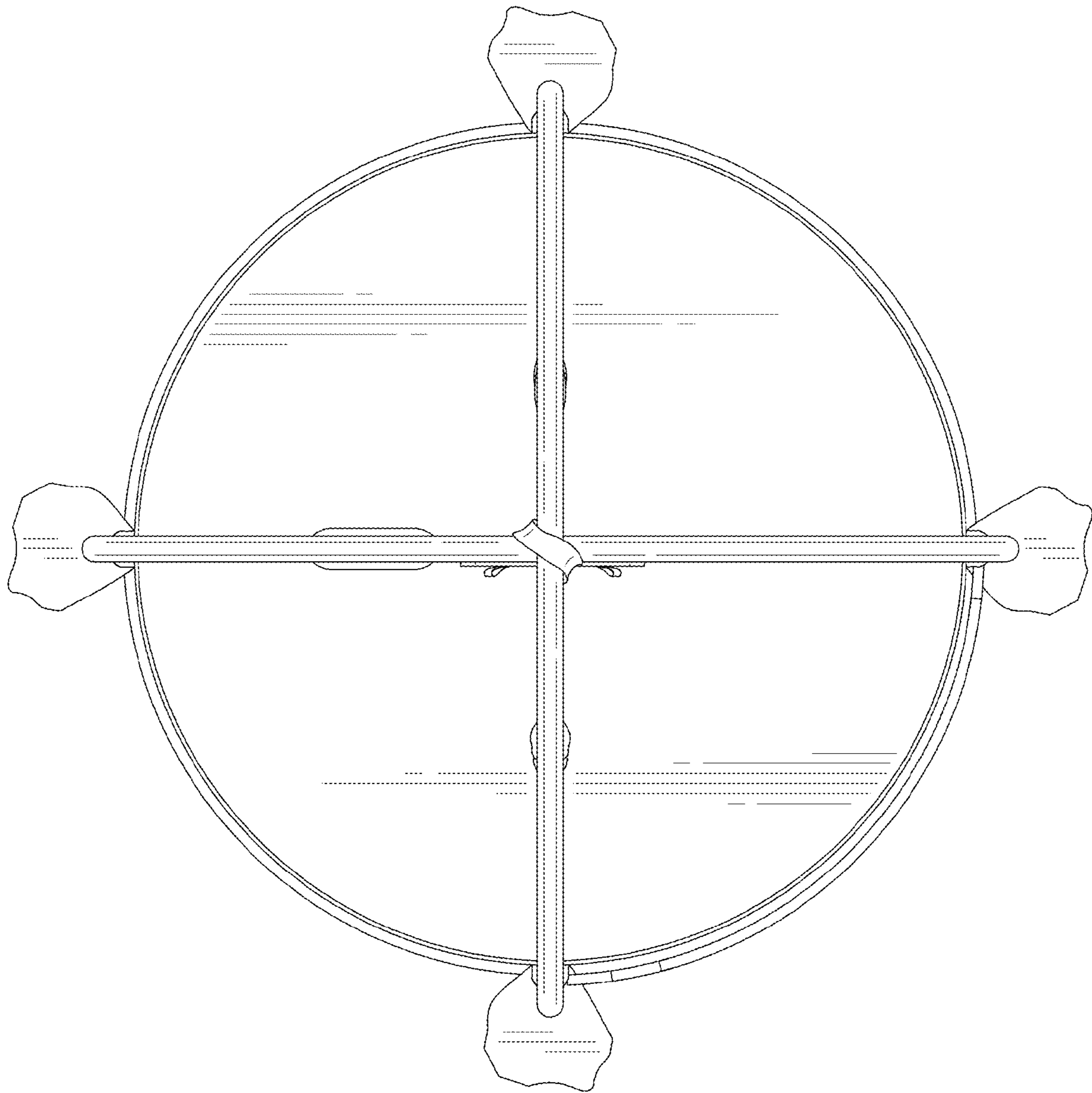


FIG. 7

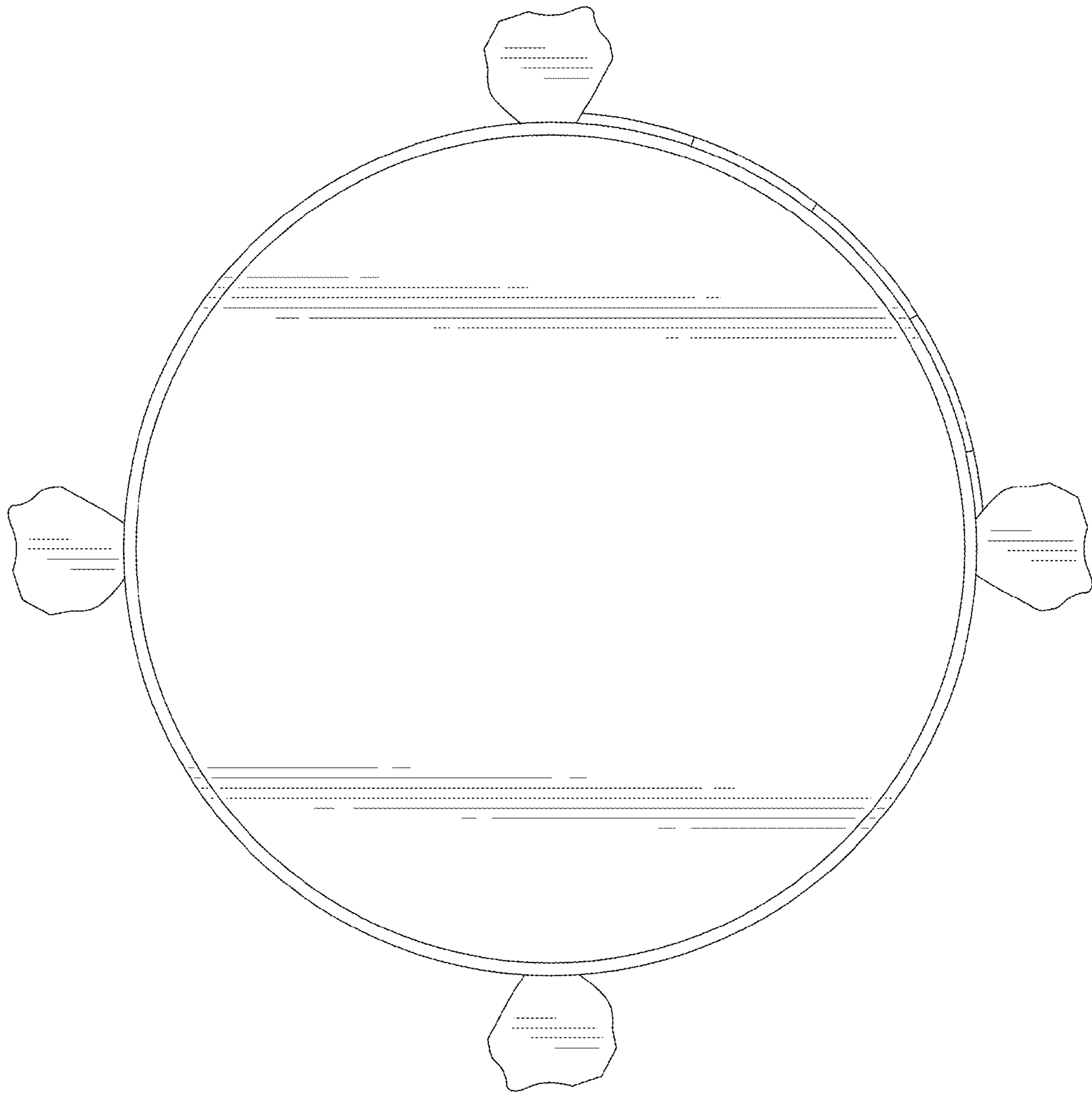


FIG. 8

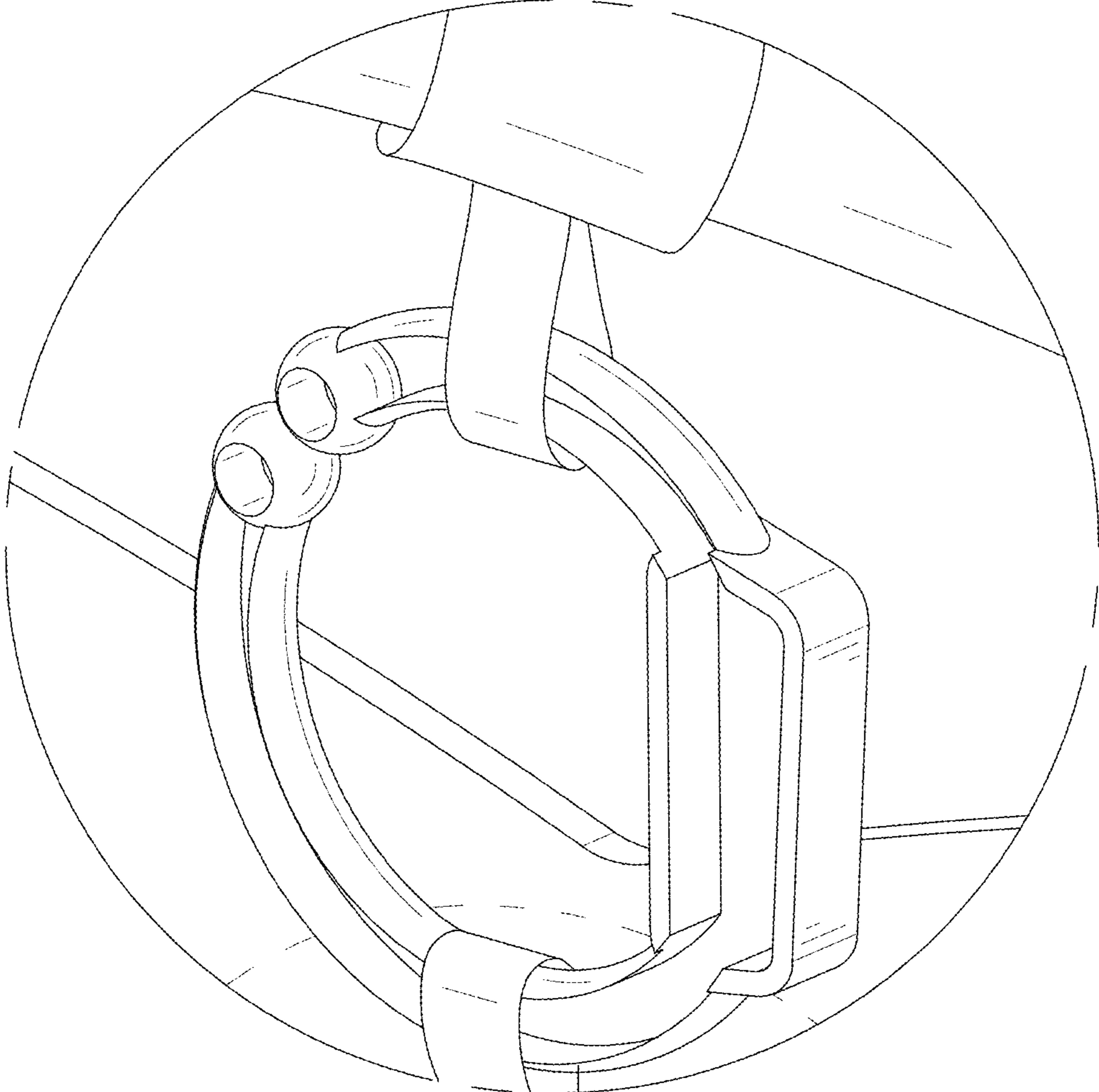


FIG. 9