



US00D975788S

(12) **United States Design Patent** (10) **Patent No.:** **US D975,788 S**
Li (45) **Date of Patent:** **** Jan. 17, 2023**

(54) **GAME TABLE**

FOREIGN PATENT DOCUMENTS

(71) Applicant: **Xi Li**, Shantou (CN)

CN 306027759 * 9/2020

(72) Inventor: **Xi Li**, Shantou (CN)

OTHER PUBLICATIONS

(**) Term: **15 Years**

Gluck Baby Activity Table Toys, Amazon.com, [online], customer review oldest date Apr. 27, 2022 [online], [site visited Oct. 11, 2022], Available from the internet URL: <https://www.amazon.com/GL%C3%9CCK-Baby-Activity-Table-Toys/dp/B09MVZWWZG> (Year: 2022).*

(21) Appl. No.: **29/735,851**

(22) Filed: **May 26, 2020**

(Continued)

(51) **LOC (14) Cl.** **21-01**

(52) **U.S. Cl.**

USPC **D21/475**

(58) **Field of Classification Search**

USPC 21/398, 405, 455, 465, 467, 475, 476, 21/409, 410, 513; 6/331, 333, 698, 701, 6/715; 19/59, 60

CPC A63H 13/12; A63H 33/002; A63H 33/006; A63H 33/008; A63H 33/22; A63H 33/26; A63H 33/40; A63H 33/42

See application file for complete search history.

Primary Examiner — Samantha Q Lawrence

Assistant Examiner — Thanh Luu Wong

(74) *Attorney, Agent, or Firm* — Rumit Ranjit Kanakia

(57)

CLAIM

The ornamental design for a game table, as shown and described.

DESCRIPTION

FIG. 1 is a first perspective view of a game table showing my new design;

FIG. 2 is a second perspective view thereof;

FIG. 3 is a front view thereof;

FIG. 4 is a back view thereof;

FIG. 5 is a left side view thereof;

FIG. 6 is a right side view thereof;

FIG. 7 is a top view thereof;

FIG. 8 is a bottom view thereof;

FIG. 9 is an enlarged view of the selected portion in FIG. 1;

FIG. 10 is an enlarged view of the selected portion in FIG. 1;

FIG. 11 is an enlarged view of the selected portion in FIG. 1; and,

FIG. 12 is an enlarged view of the selected portion in FIG. 2.

The broken lines shown in the drawings depict portions of the game table that form no part of the claimed design.

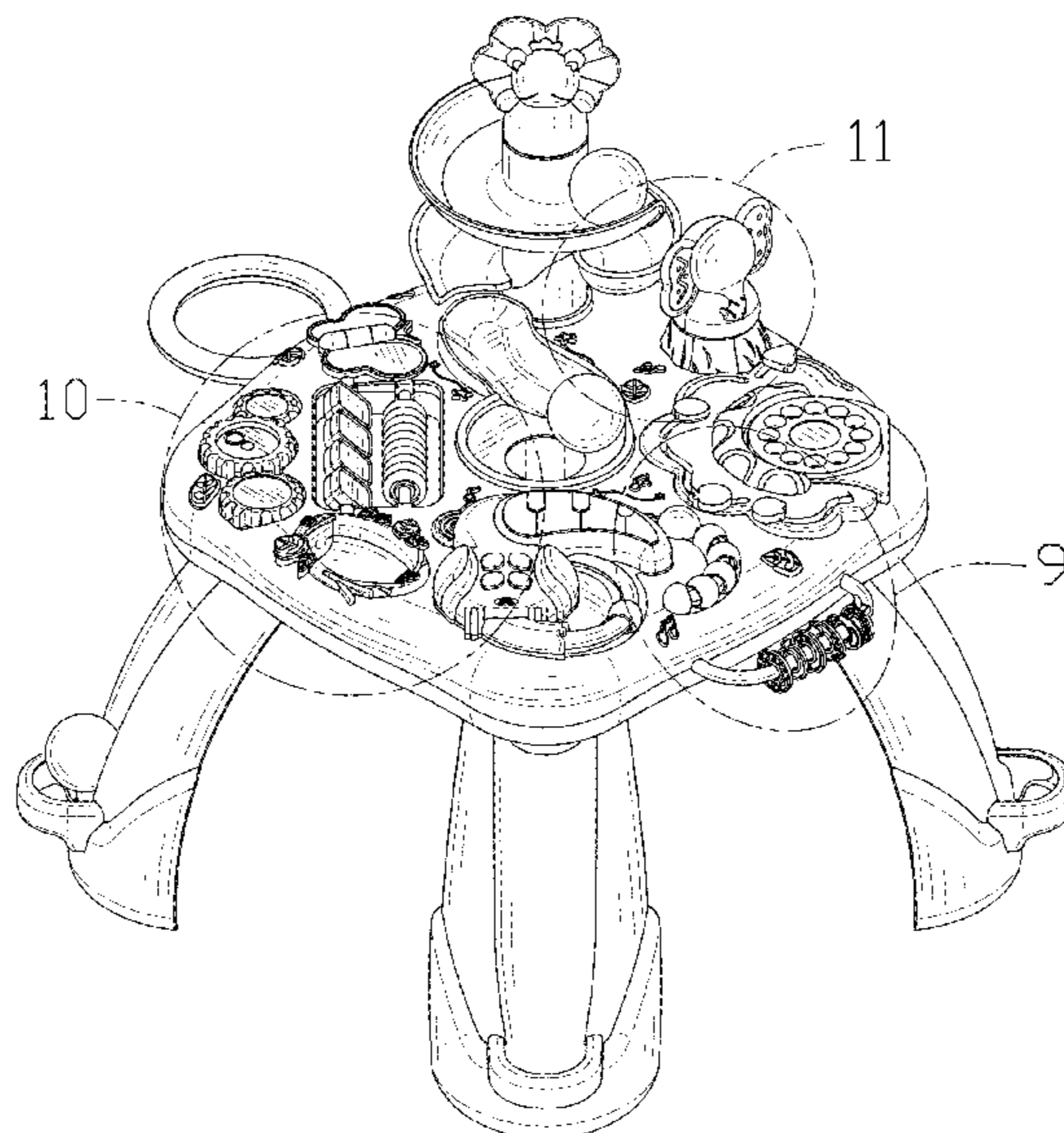
(56) **References Cited**

U.S. PATENT DOCUMENTS

D358,421 S *	5/1995	Chow	A63H 33/006 D19/60
D449,351 S *	10/2001	Fisher	A47D 13/107 D21/475
D449,657 S *	10/2001	Fisher	A63H 33/006 D21/475
6,672,930 B1 *	1/2004	McElhaney	A63H 29/16 446/178
D573,664 S *	7/2008	Lu	A47D 3/005 D21/522
D577,081 S *	9/2008	Henriksson	A63H 3/52 D21/476
D921,763 S *	6/2021	Aslan	D6/333
D961,003 S *	8/2022	Cai	D21/468

(Continued)

1 Claim, 12 Drawing Sheets



(56)

References Cited

U.S. PATENT DOCUMENTS

2004/0253903 A1* 12/2004 Fair A63H 33/006
446/227
2005/0140185 A1* 6/2005 McClintock A47D 3/005
297/136
2005/0146106 A1* 7/2005 Myers A47D 13/107
280/87.051
2005/0264088 A1* 12/2005 Tadin A47D 13/107
297/488
2006/0014472 A1* 1/2006 Spielberg A63H 3/52
446/477
2006/0094328 A1* 5/2006 Drosendahl A63H 33/006
446/227
2006/0237944 A1* 10/2006 Thomson A47D 1/002
280/250.1
2006/0286893 A1* 12/2006 Conaway A63H 33/006
434/307 R
2007/0123141 A1* 5/2007 Berkey A47D 3/005
446/220
2007/0236056 A1* 10/2007 Steininger A63H 33/006
297/136
2012/0261957 A1* 10/2012 Tadin A47D 1/0081
297/250.1
2013/0319884 A1* 12/2013 Gomez A47D 1/0081
248/274.1
2016/0288813 A1* 10/2016 Burns A63H 33/006
2017/0232355 A1* 8/2017 Healy A47D 3/001
446/227
2018/0317668 A1* 11/2018 Cotirla A47D 15/00
2019/0069692 A1* 3/2019 Healy A47D 13/107
2021/0069579 A1* 3/2021 Kreuzer A63H 33/006

OTHER PUBLICATIONS

Active Table—Ourkids, ourkids-eg.com, [online], [site visited Oct. 11, 2022], Available from the internet URL: <https://ourkids-eg.com/collections/educational-baby-toys/products/active-table> (Year: 2022).*

Activity Table—Toys 2 Discover, toys2discover.com, [online], [site visited Oct. 11, 2022], Available from the internet URL: <https://www.toys2discover.com/products/activity-table> (Year: 2022).*

Ebay Gluck Baby Activity Table Toys, ebay.com, [online], Oldest revision date Jun. 13, 2022 [online] [site visited Oct. 11, 2022], Available from the internet URL: <https://www.ebay.com/itm/394103369567?chn=ps&mkevt=1&mkcid=28> (Year: 2022).*

Huanger—Baby Activity Play Table, mumzworld.com, [online], [site visited Oct. 11, 2022], Available from the internet URL: <https://www.mumzworld.com/en/huanger-baby-activity-play-table> (Year: 2022).*

Huanger Active Table—Pink 'n Blue—Baby Boutique, pinknbluelebanon.com, [online], [site visited Oct. 11, 2022], Available from the internet URL: <https://pinknbluelebanon.com/product/huanger-active-table-2/> (Year: 2022).*

Huanger Baby Toys Mesa De Actividad, alibaba.com, [online], [site visited Oct. 11, 2022], Available from the internet URL: https://www.alibaba.com/product-detail/Huanger-Baby-Toys-Mesa-De-Actividad_1600134120839.html (Year: 2022).*

Kanaan toys 2 in 1 High quality durable learning table, facebook.com, date first available Sep. 2, 2022 [online], [site visited Oct. 11, 2022], Available from the internet URL: <https://www.facebook.com/kanaantoy/> (Year: 2022).*

Kids Safety Early Educational Plastic Puzzle Game Table, alibaba.com, [online], [site visited Oct. 11, 2022], Available from the internet URL: https://www.alibaba.com/product-detail/Kids-safety-early-educational-plastic-puzzle_1600145680583.html (Year: 2022).*

* cited by examiner

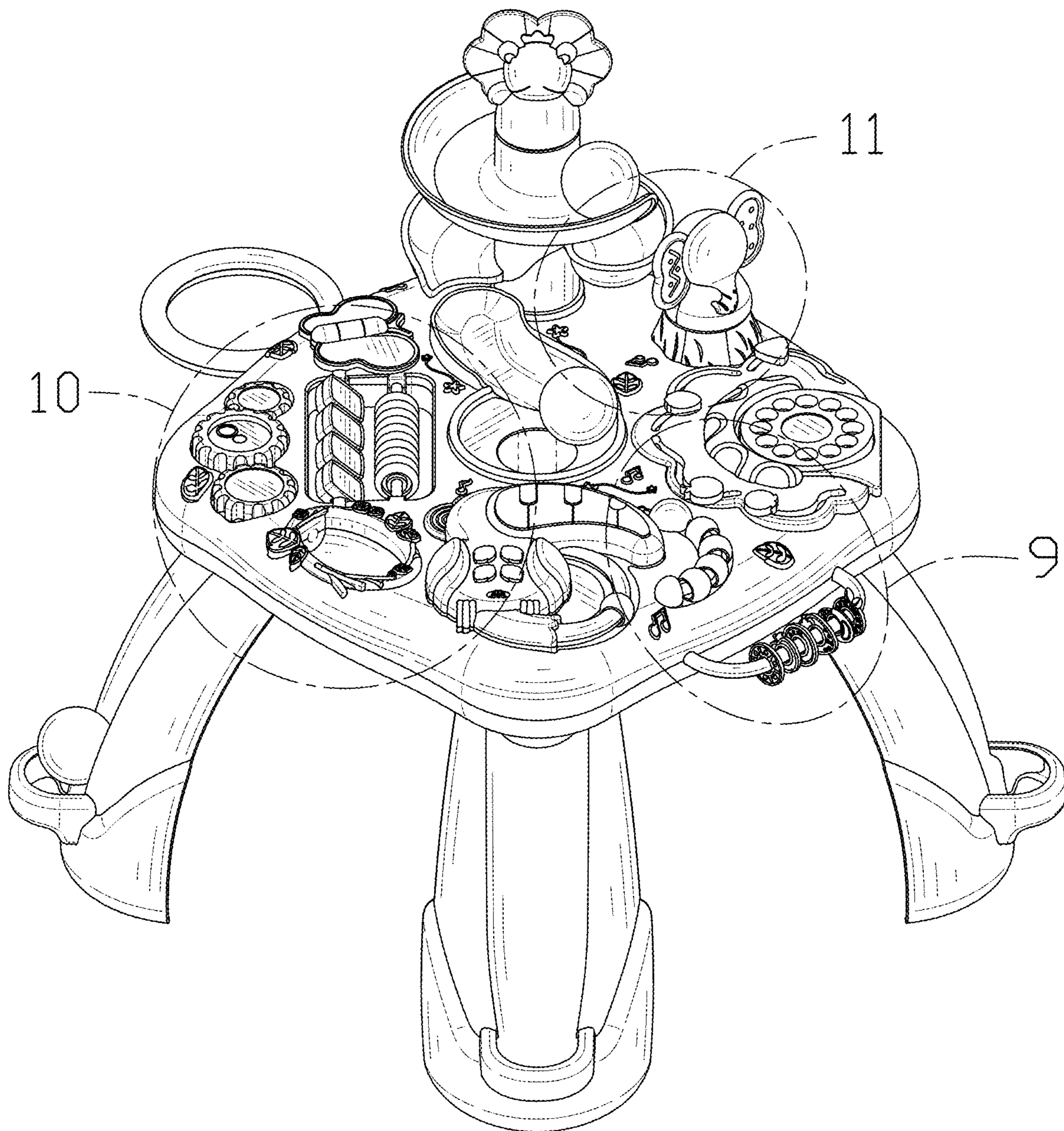


FIG. 1

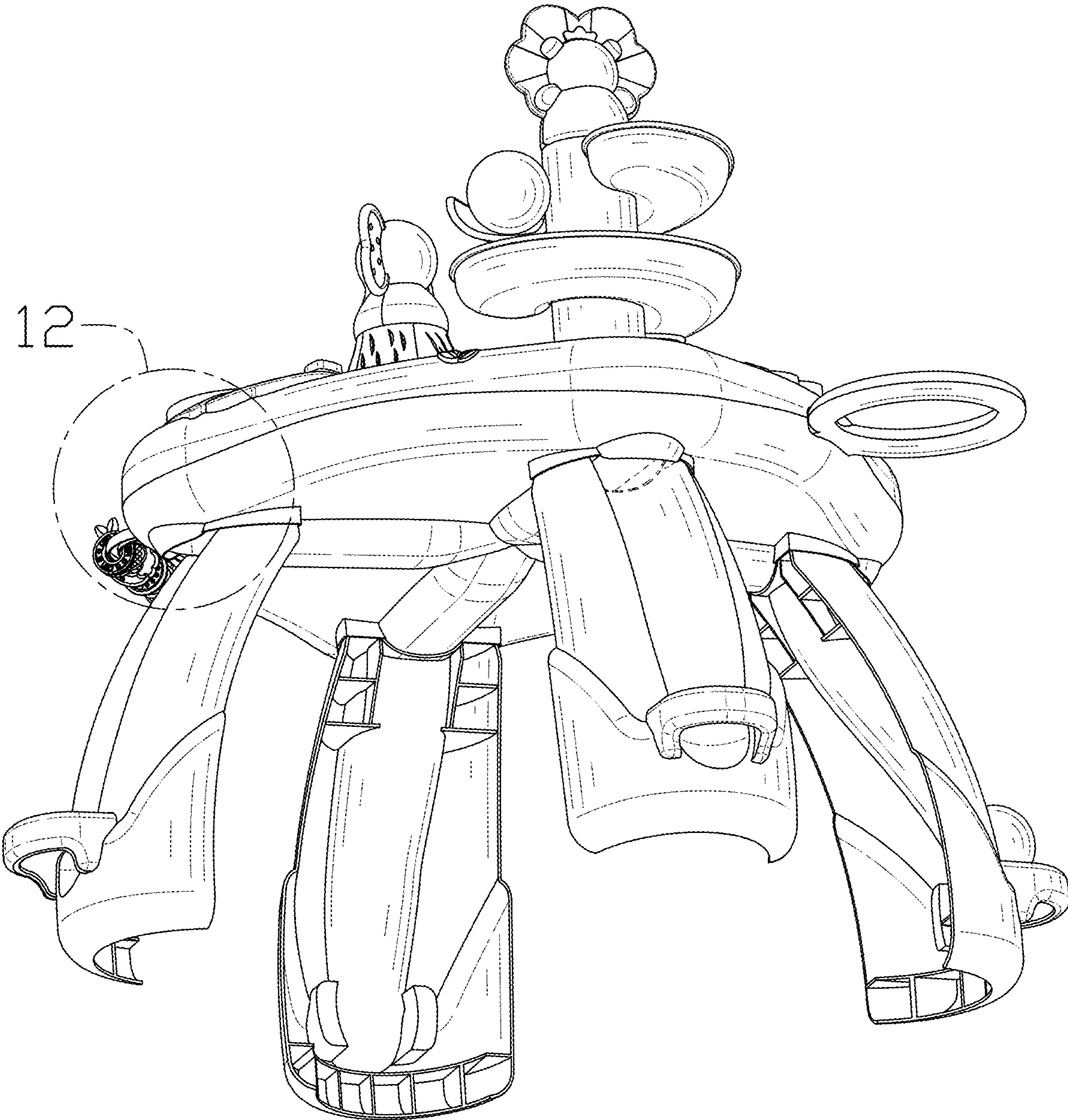


FIG. 2

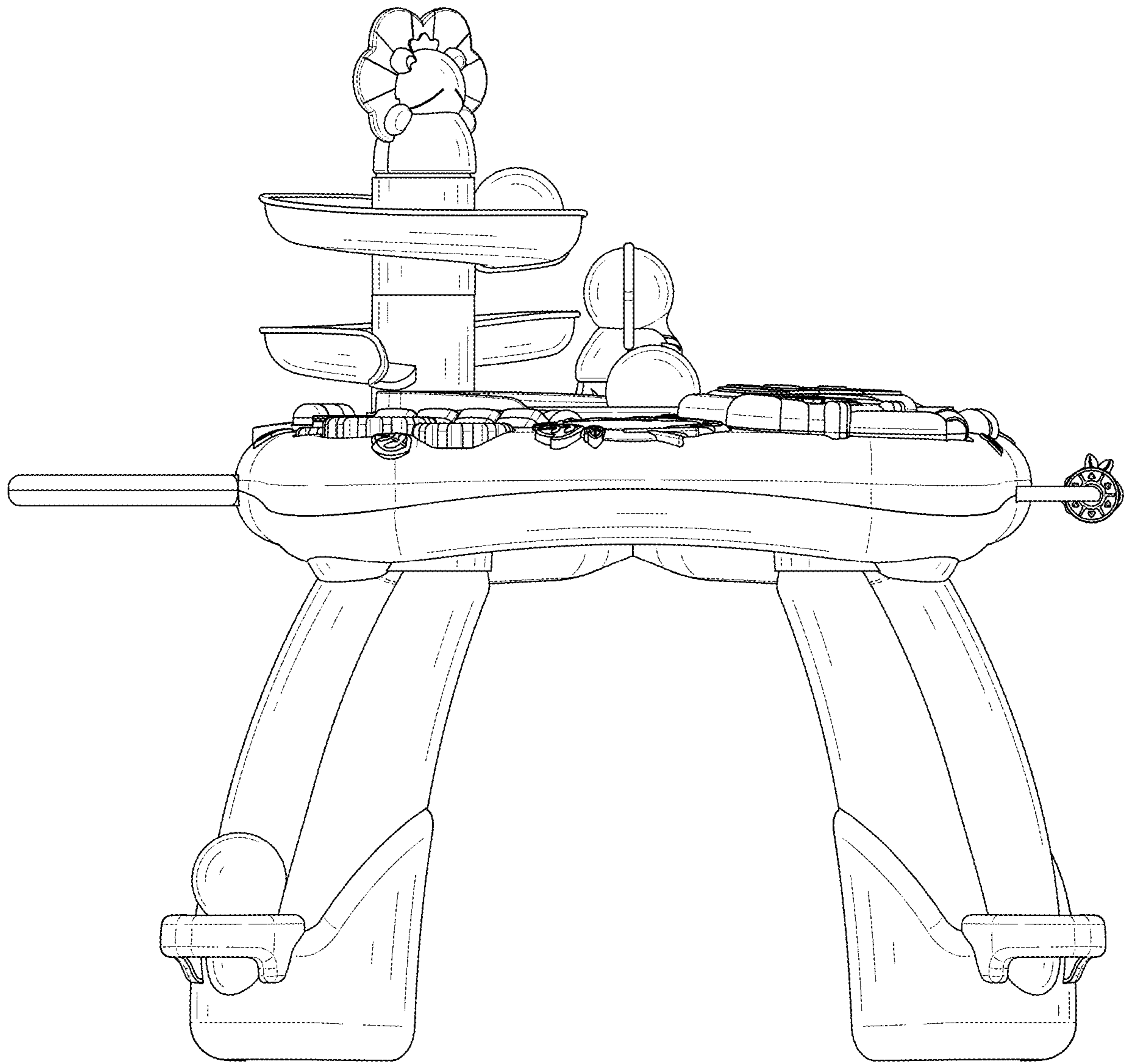


FIG. 3

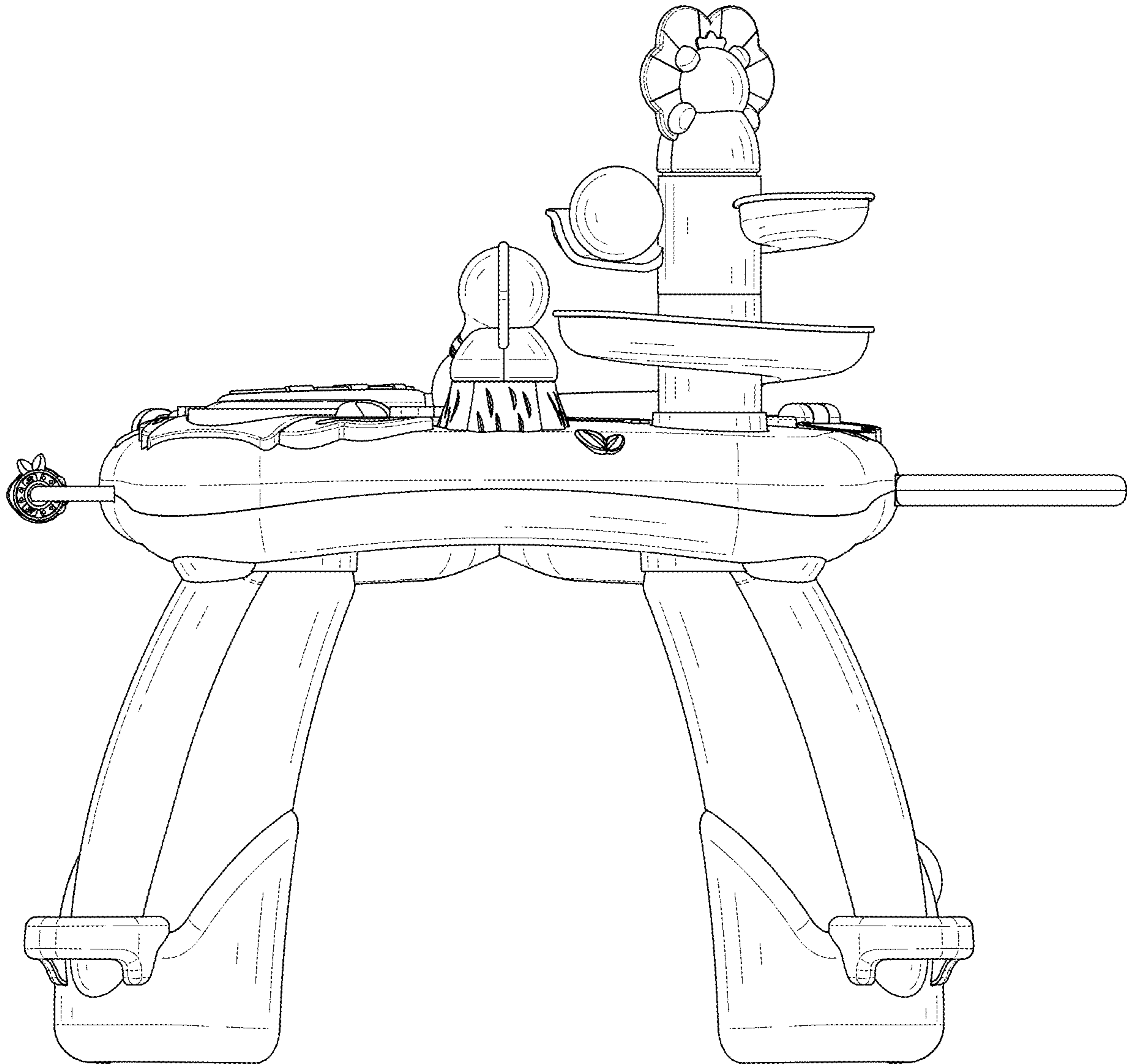


FIG. 4

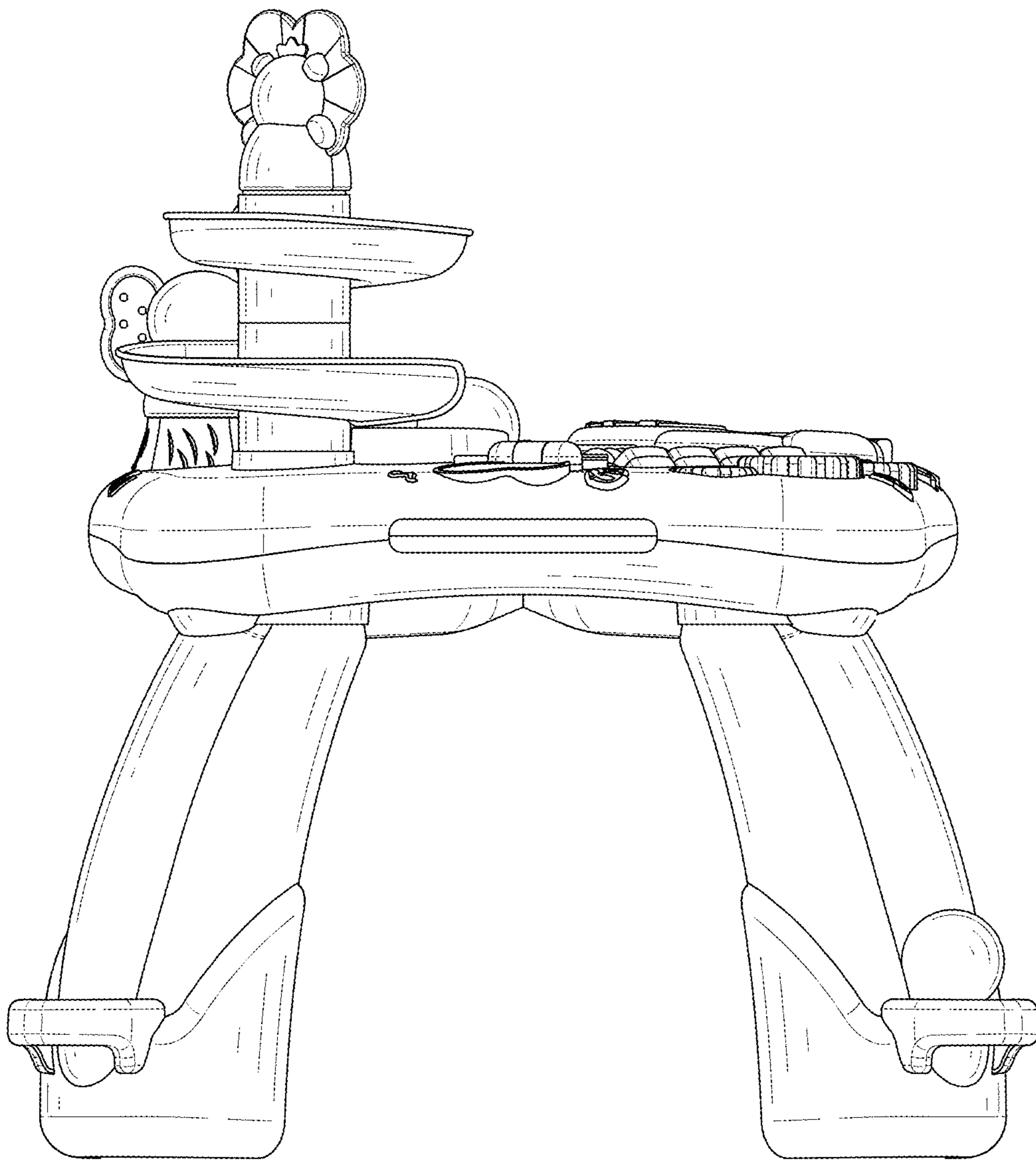


FIG. 5

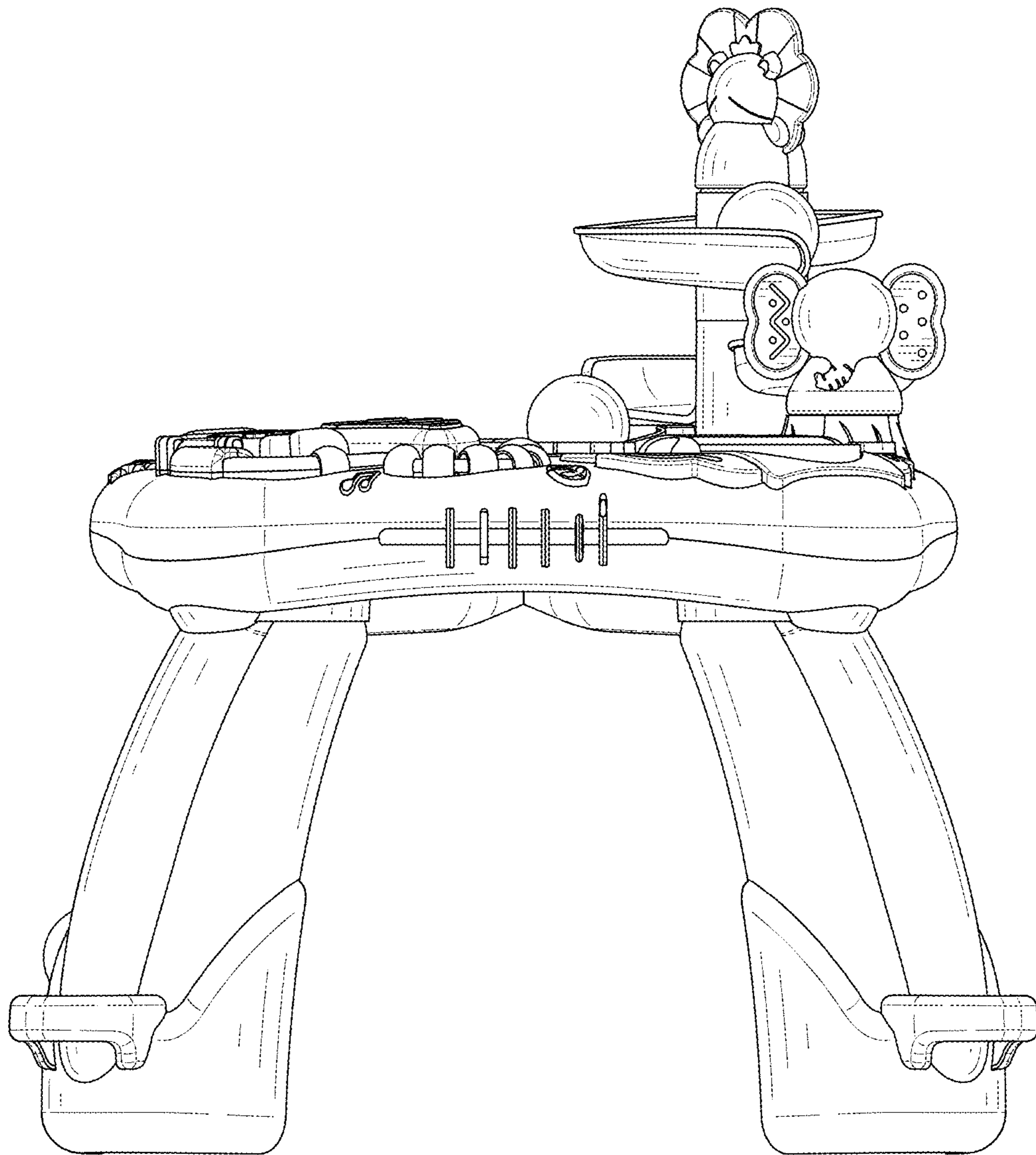


FIG. 6

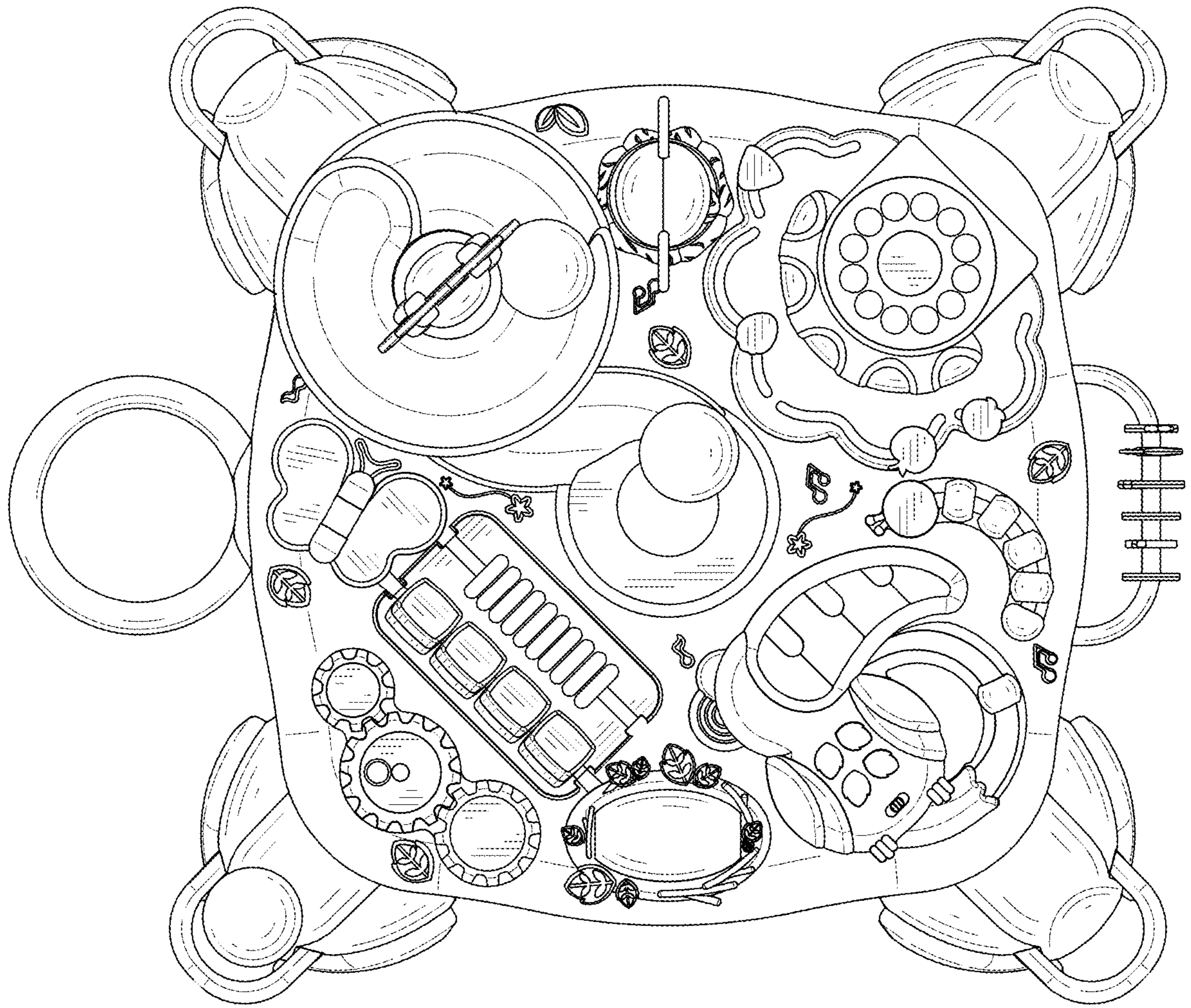


FIG. 7

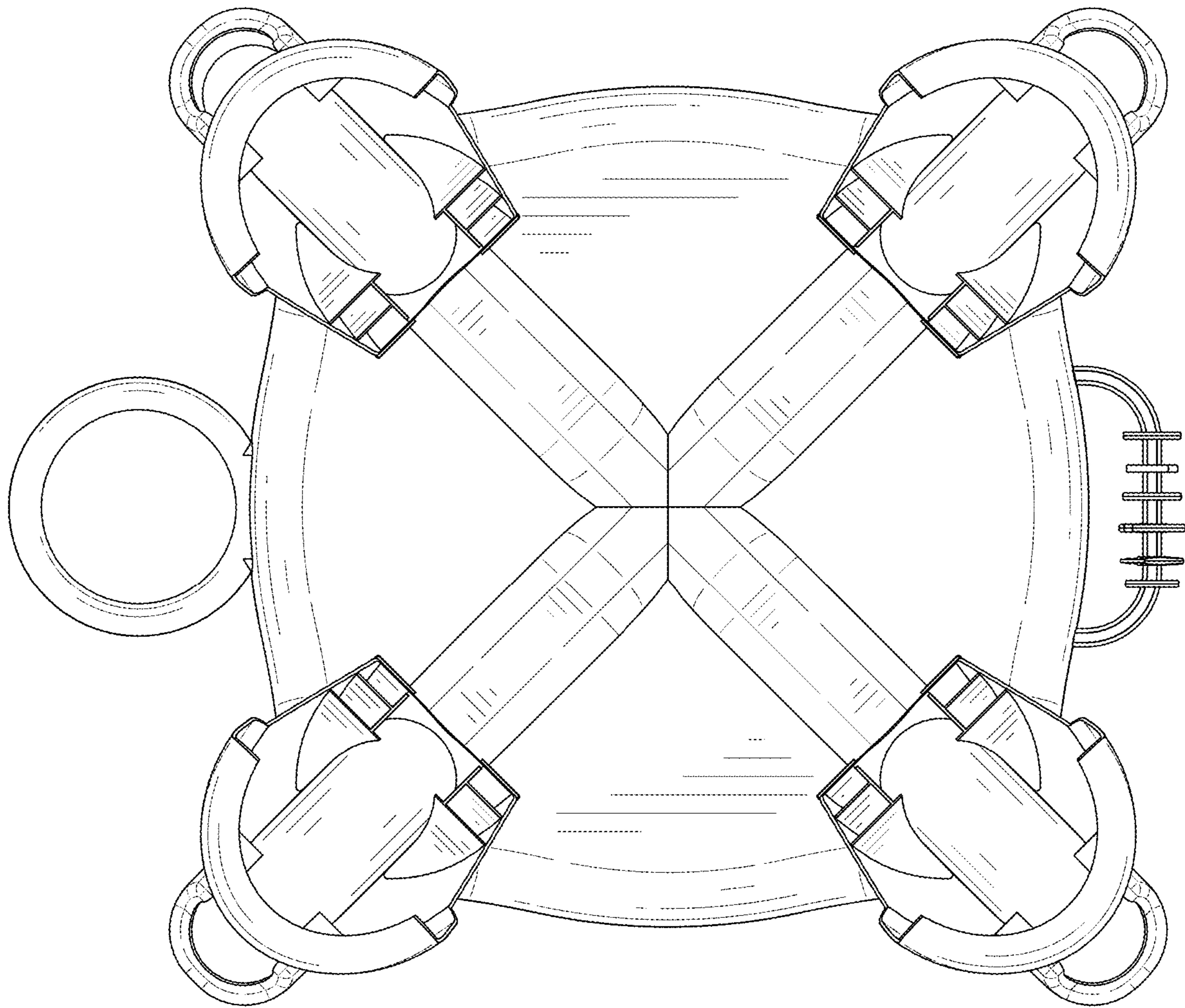


FIG. 8

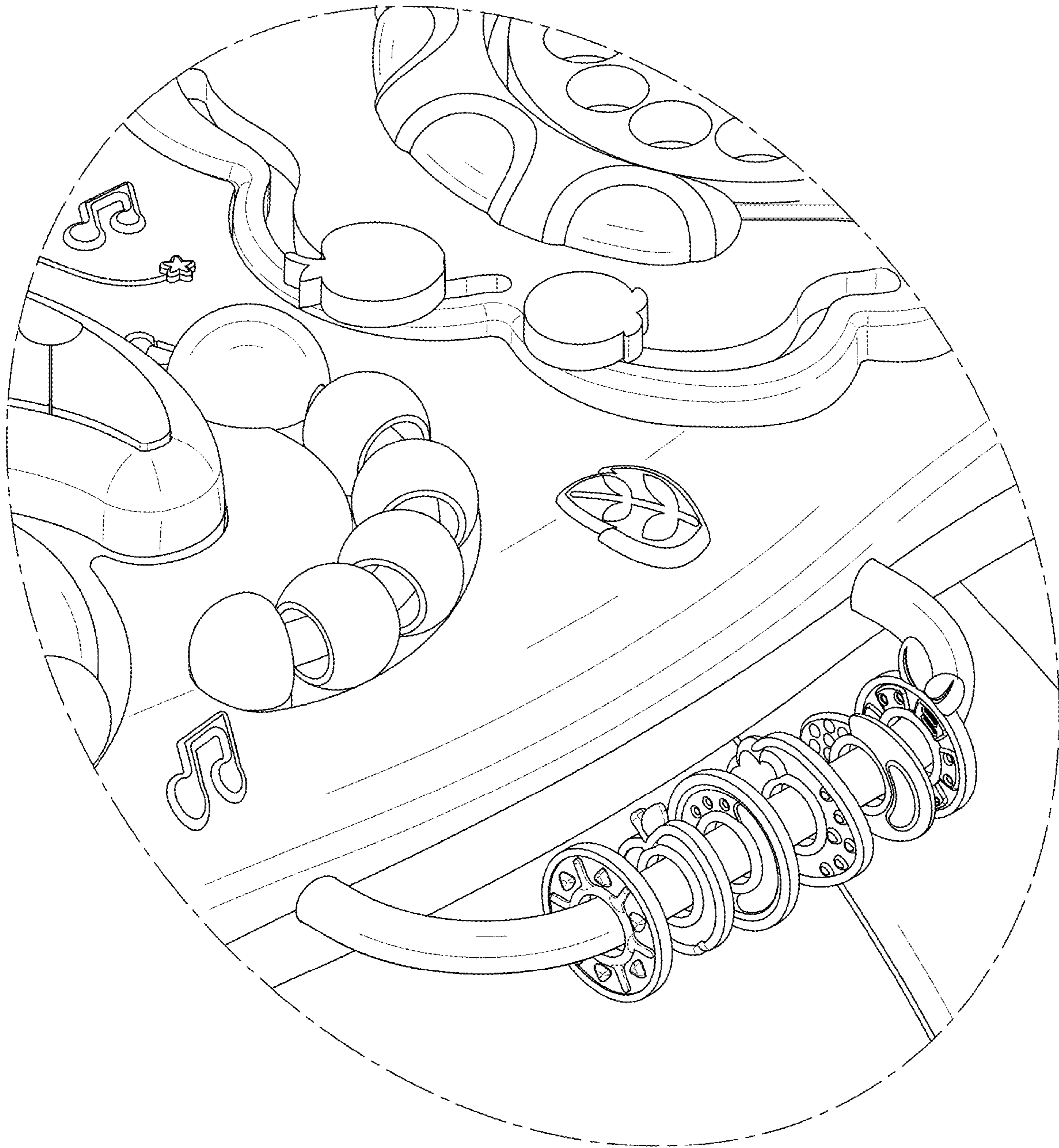


FIG. 9

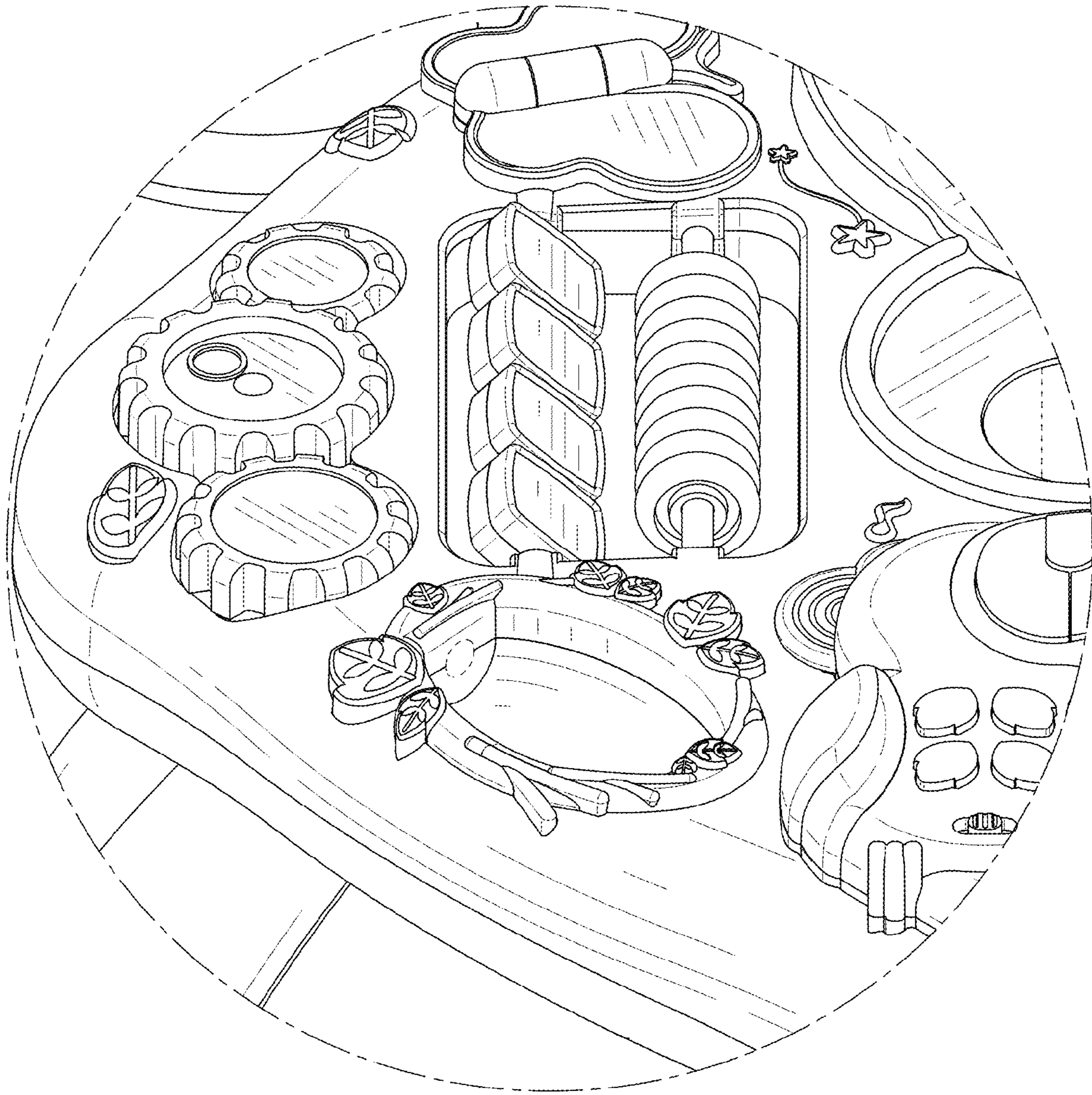


FIG. 10

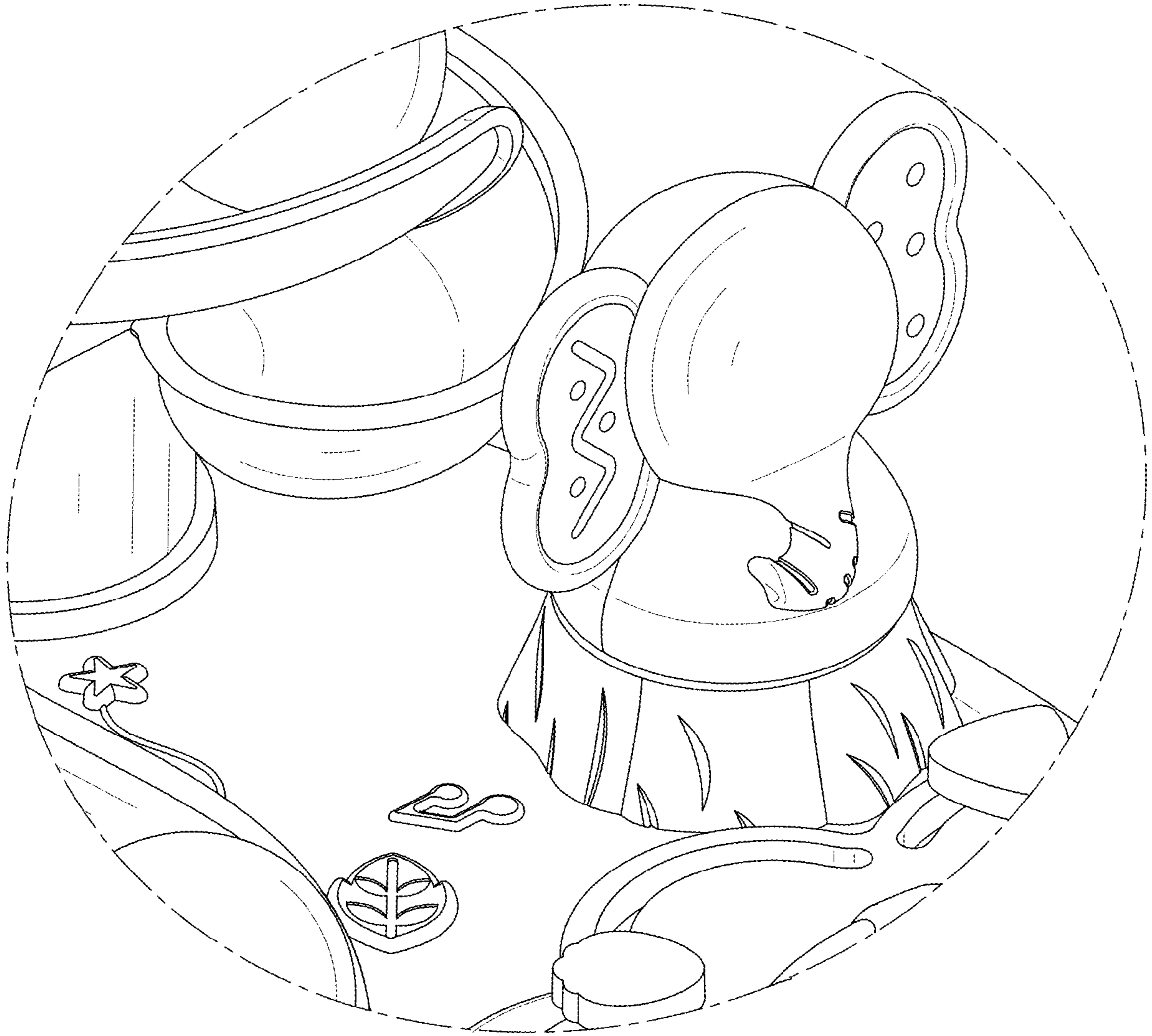


FIG. 11

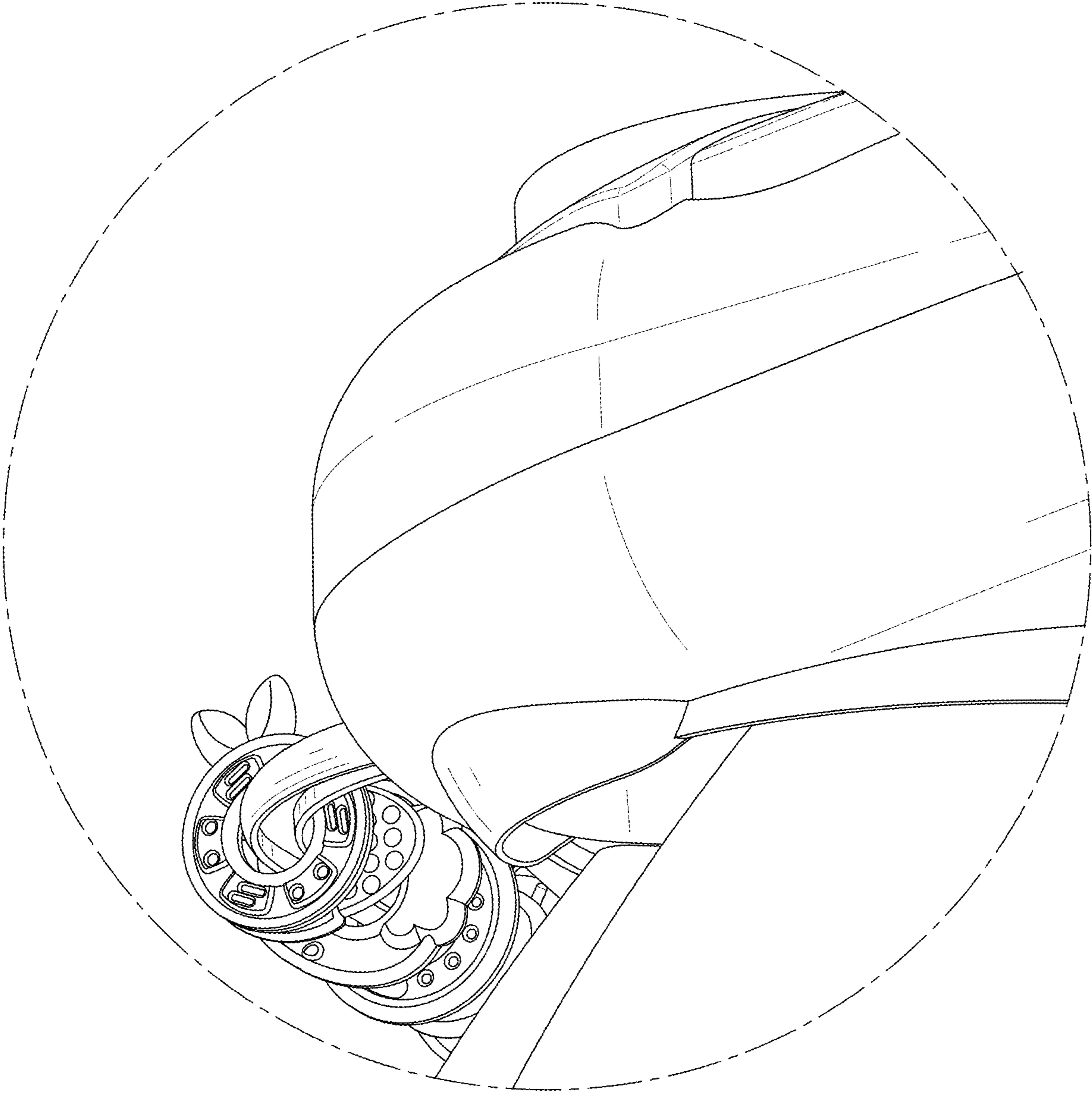


FIG. 12