



US00D975785S

(12) **United States Design Patent** (10) **Patent No.:** **US D975,785 S**
Raimondi (45) **Date of Patent:** **** Jan. 17, 2023**

(54) **LIGHTSHIP TOY**

(71) Applicant: **John Raimondi**, Casselberry, FL (US)

(72) Inventor: **John Raimondi**, Casselberry, FL (US)

(**) Term: **15 Years**

(21) Appl. No.: **29/754,263**

(22) Filed: **Oct. 8, 2020**

(51) **LOC (14) Cl.** **21-01**

(52) **U.S. Cl.**

USPC **D21/451**

(58) **Field of Classification Search**

USPC D12/1-4, 16.1, 319-345; D21/436-454;
D26/73, 94

CPC B64C 39/024; B64C 13/16; B64C 19/00;
B64C 2201/021; B64C 2201/141; B64H
1/3442

See application file for complete search history.

(56) **References Cited**

U.S. PATENT DOCUMENTS

D152,291 S *	1/1949	Wilson	D26/112
3,432,120 A	3/1969	Guerrero	
D252,527 S *	7/1979	Huffhines	D25/19
D261,291 S *	10/1981	Wilson	D21/443
D276,750 S	12/1984	Beaver	
D335,902 S *	5/1993	Tsai	D21/451
D403,800 S *	1/1999	Chen	D26/104
D417,896 S *	12/1999	Eisner	D21/451
D475,932 S *	6/2003	Li	D10/15
D586,937 S *	2/2009	Klein	D26/104
D624,132 S *	9/2010	Cheng	D21/453
D714,485 S *	9/2014	Johnson	D26/94
D757,334 S	5/2016	Johnson	
D901,747 S *	11/2020	Lin	D26/106
D933,282 S *	10/2021	Ji	D26/93

OTHER PUBLICATIONS

An Awesome Alien Lamp by James Grahame. Product Description [online]. COPYRIGHT © 2005-2016 James Grahame & Bohus

Blahut [posted by James Grahame on Dec. 29, 2010; retrieved on Jul. 12, 2019]. Retrieved from the Internet: <URL: <https://www.retrothing.com/2010/12/an-awesome-alien-lamp.html>>.
 Alien Abduction Lamp. Product Description [online]. © 2019 Autodesk, Inc. [posted by me-again100; retrieved on Jul. 12, 2019]. Retrieved from the Internet: <URL: <https://www.instructables.com/id/Alien-Abduction-Lamp/>>.
 Ufo Lamp. Product Description [online]. © 2019 MakerBot Industries, LLC [posted by Sir_Joe May 16, 2019; retrieved on Jul. 12, 2019]. Retrieved from the Internet: <URL: <https://www.thingiverse.com/thing:3611744>>.

(Continued)

Primary Examiner — John A Voytek

(74) *Attorney, Agent, or Firm* — Cramer Patent & Design, PLLC; Aaron R. Cramer

(57) **CLAIM**

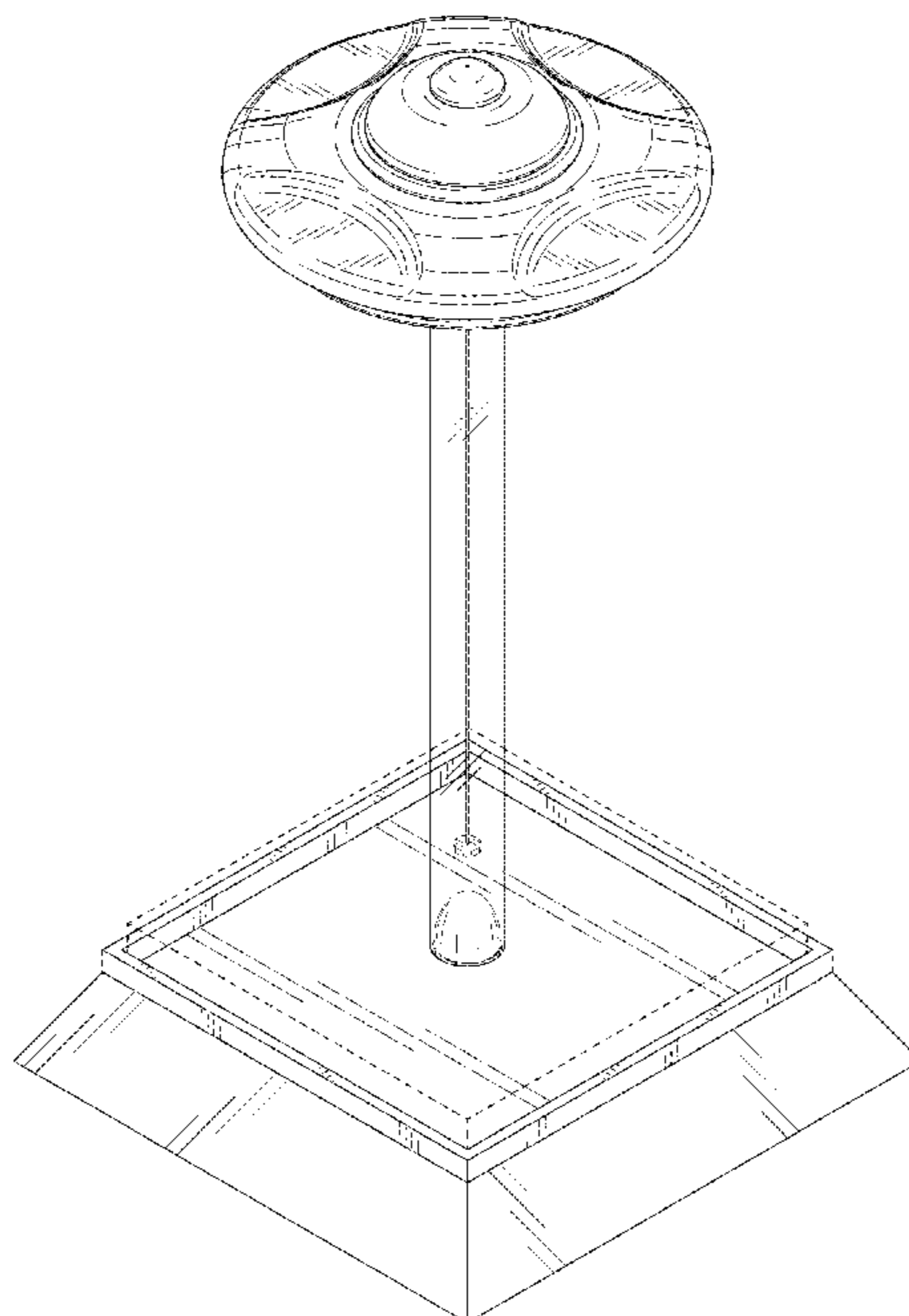
The ornamental design for a lightship toy, as shown and described.

DESCRIPTION

FIG. 1 is a perspective top front right view of a lightship toy, showing my new design;
 FIG. 2 is a perspective bottom front right view thereof;
 FIG. 3 is a front elevation view thereof;
 FIG. 4 is a rear elevation view thereof;
 FIG. 5 is a right elevation view thereof;
 FIG. 6 is a left elevation view thereof;
 FIG. 7 is a top plan view thereof; and,
 FIG. 8 is a bottom plan view thereof.

The broken lines of the lightship toy are for the purpose of illustrating portions of the lightship toy that form no part of the claimed design.

1 Claim, 8 Drawing Sheets



(56)

References Cited

OTHER PUBLICATIONS

DIY Alien Abduction Lamp. Product Description [online]. Copyright © 2019 Crown Media [retrieved on Jul. 12, 2019]. Retrieved from the Internet: <URL: <https://www.hallmarkchannel.com/home-and-family/how-to/diy-alien-abduction-lamp>>.

Alien Abduction Lamp LED Area 51 UFO Space Ship Saucer Desk Light Handmade COW. Product Listing [online]. Copyright © 2008-2019 PicClick Inc. [retrieved on Jul. 12, 2019]. Retrieved from the Internet: <URL: <https://picclick.com/Alien-Abduction-Lamp-LED-Area-51-UFO-Space-113285837313.html>>.

UFO Desk Lamp Alien Cow Abduction Farm Sci Fi Silver Spaceship Outerspace Space Bedroom Night Light Home Office. Product Listing [online]. © 2019 Etsy, Inc. [retrieved on Jul. 12, 2019]. Retrieved from the Internet: <URL: https://www.etsy.com/listing/623258468/ufo-desk-lamp-alien-cow-abduction-farm?gpla=1&gao=1&&utm_source=google&utm_medium=cpc&utm_campaign=shopping_us_a-home_and_living-lighting-lamps>.

* cited by examiner

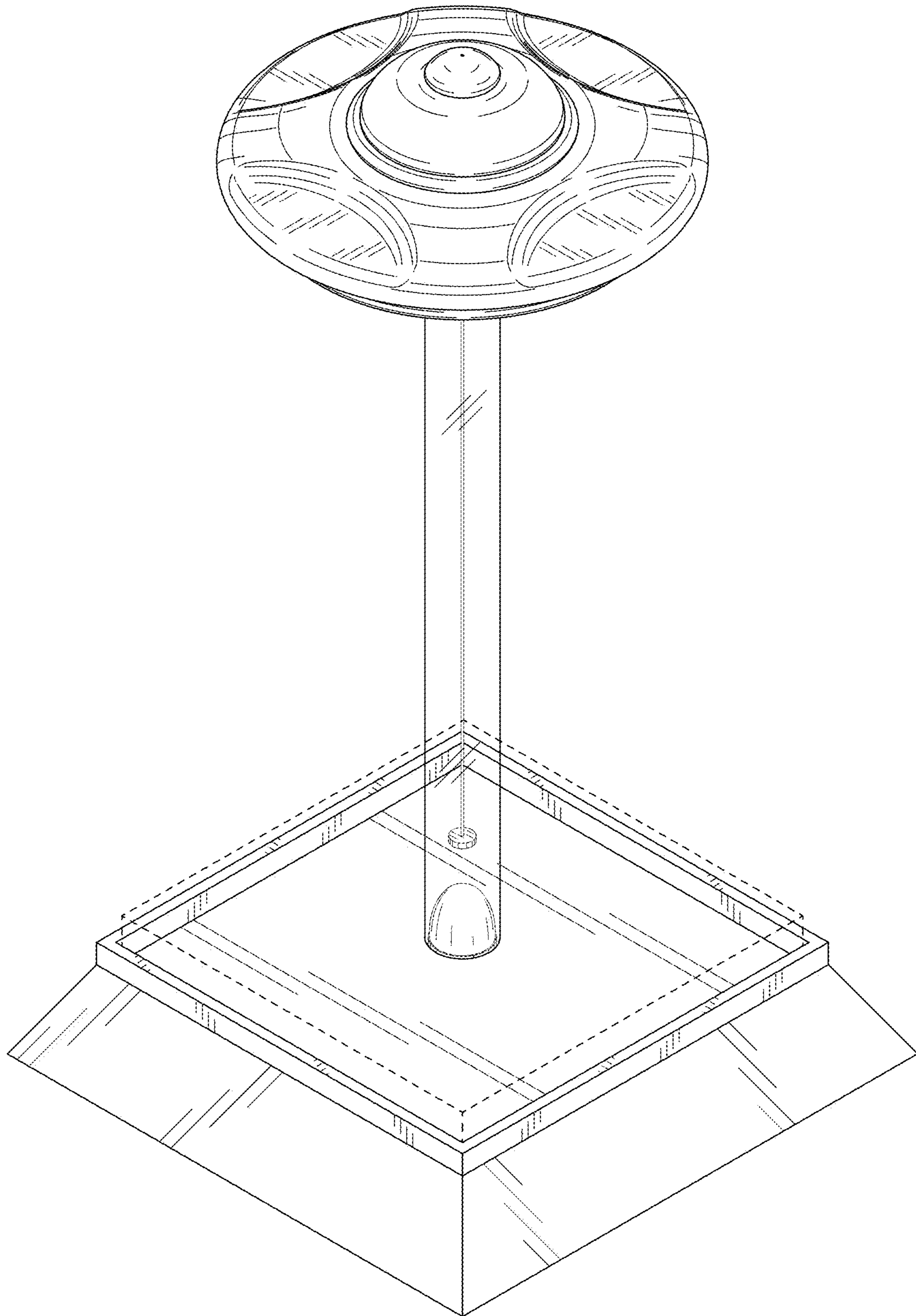


FIG. 1

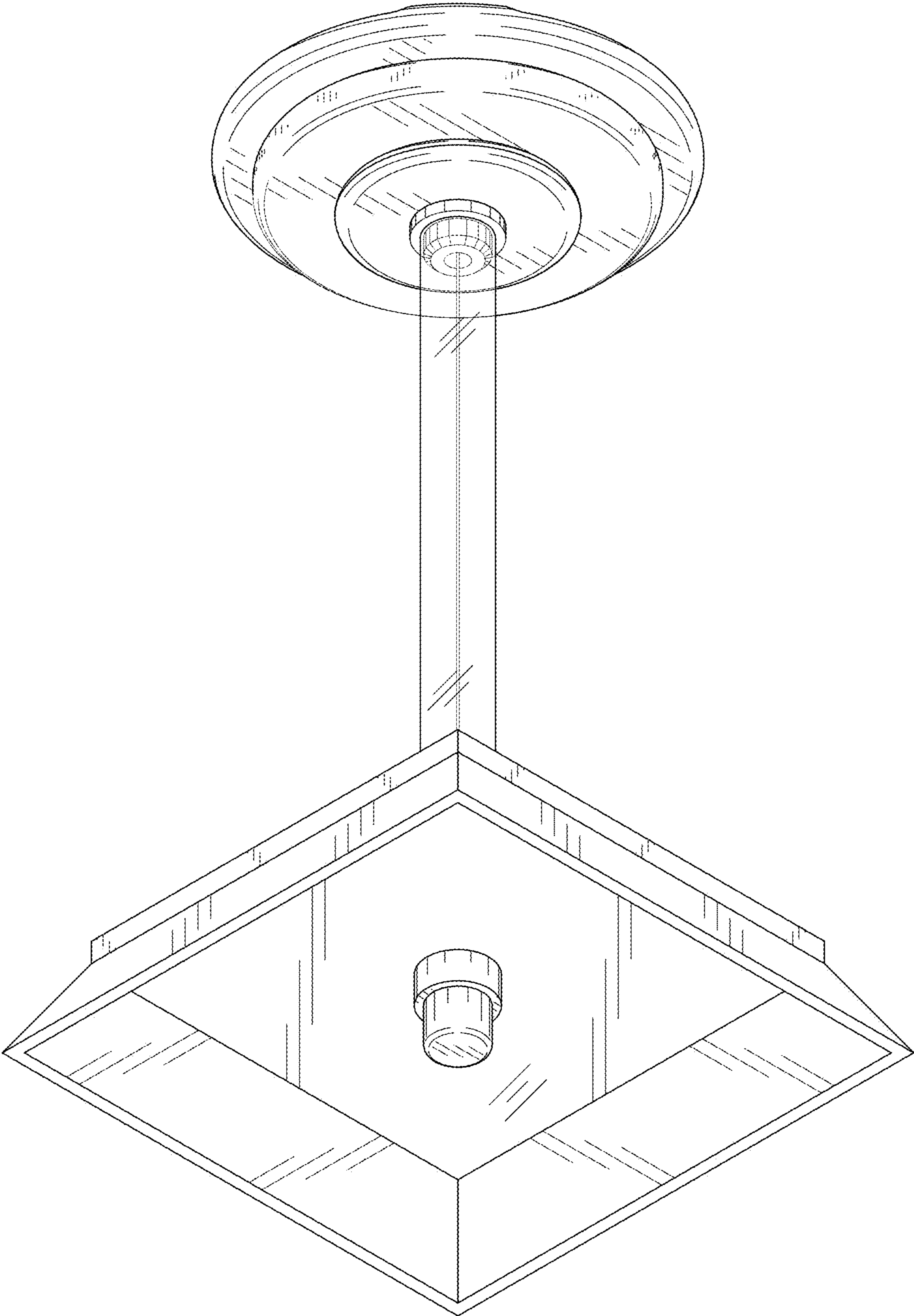


FIG. 2

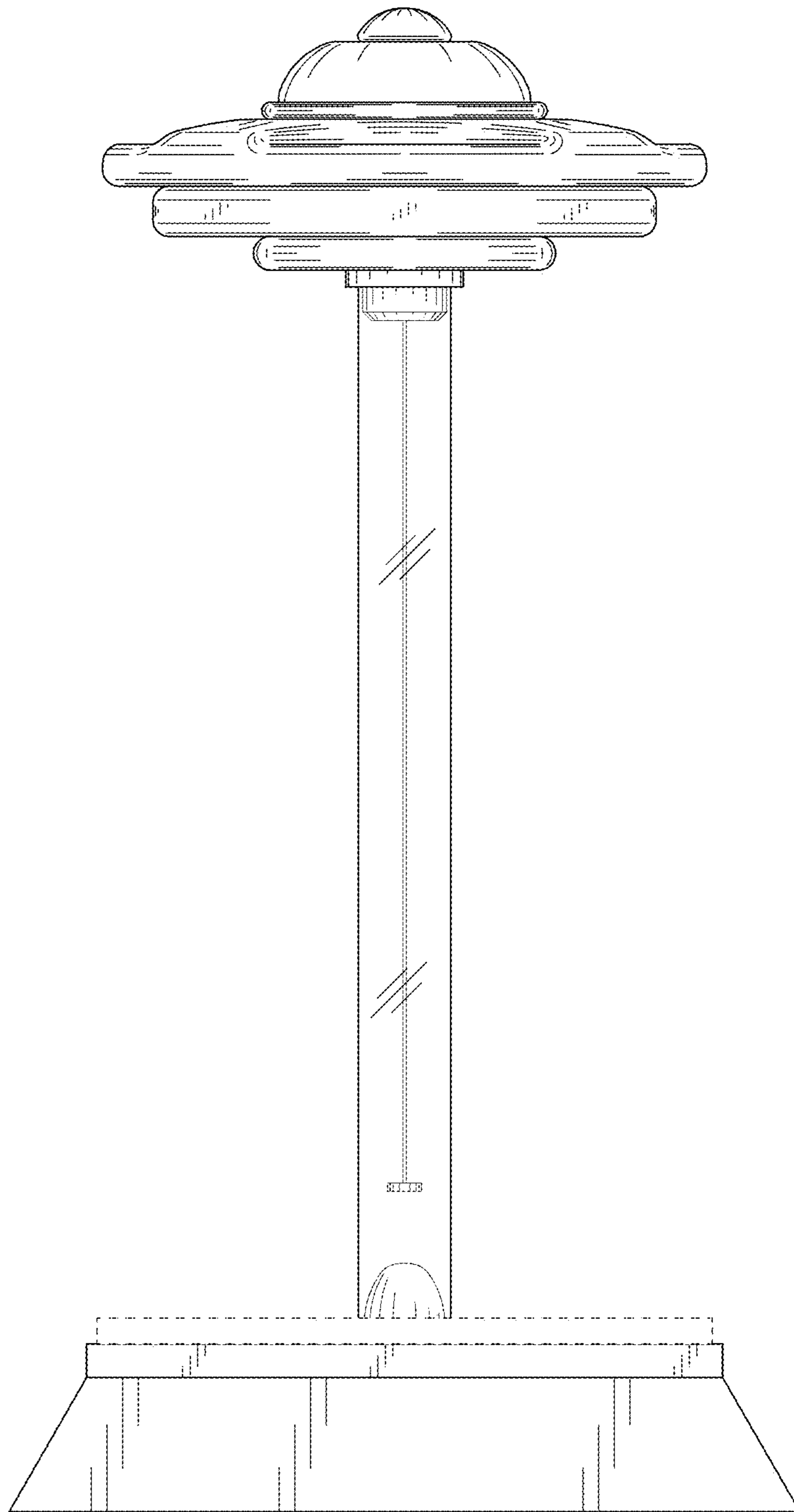


FIG. 3

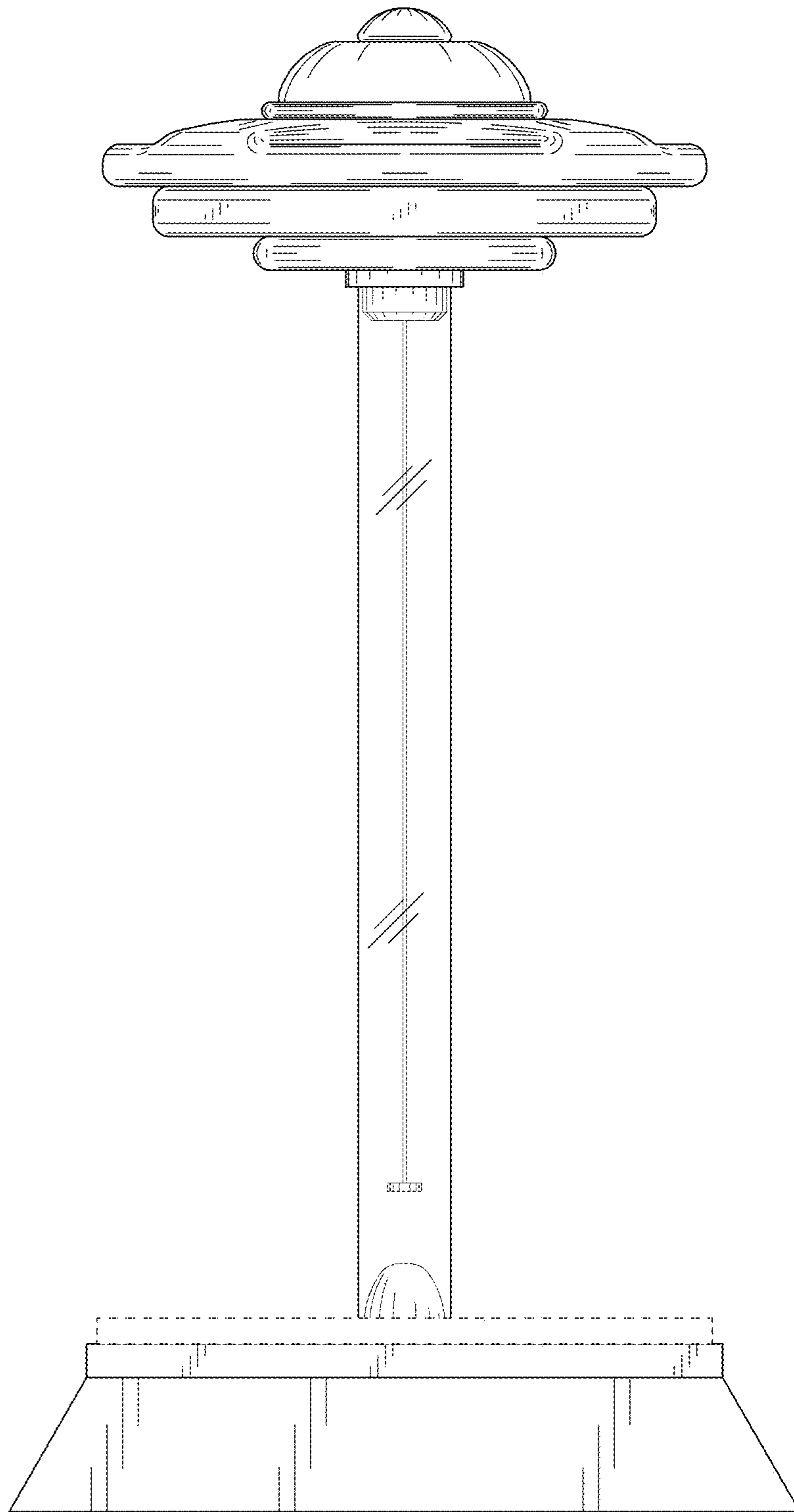


FIG. 4

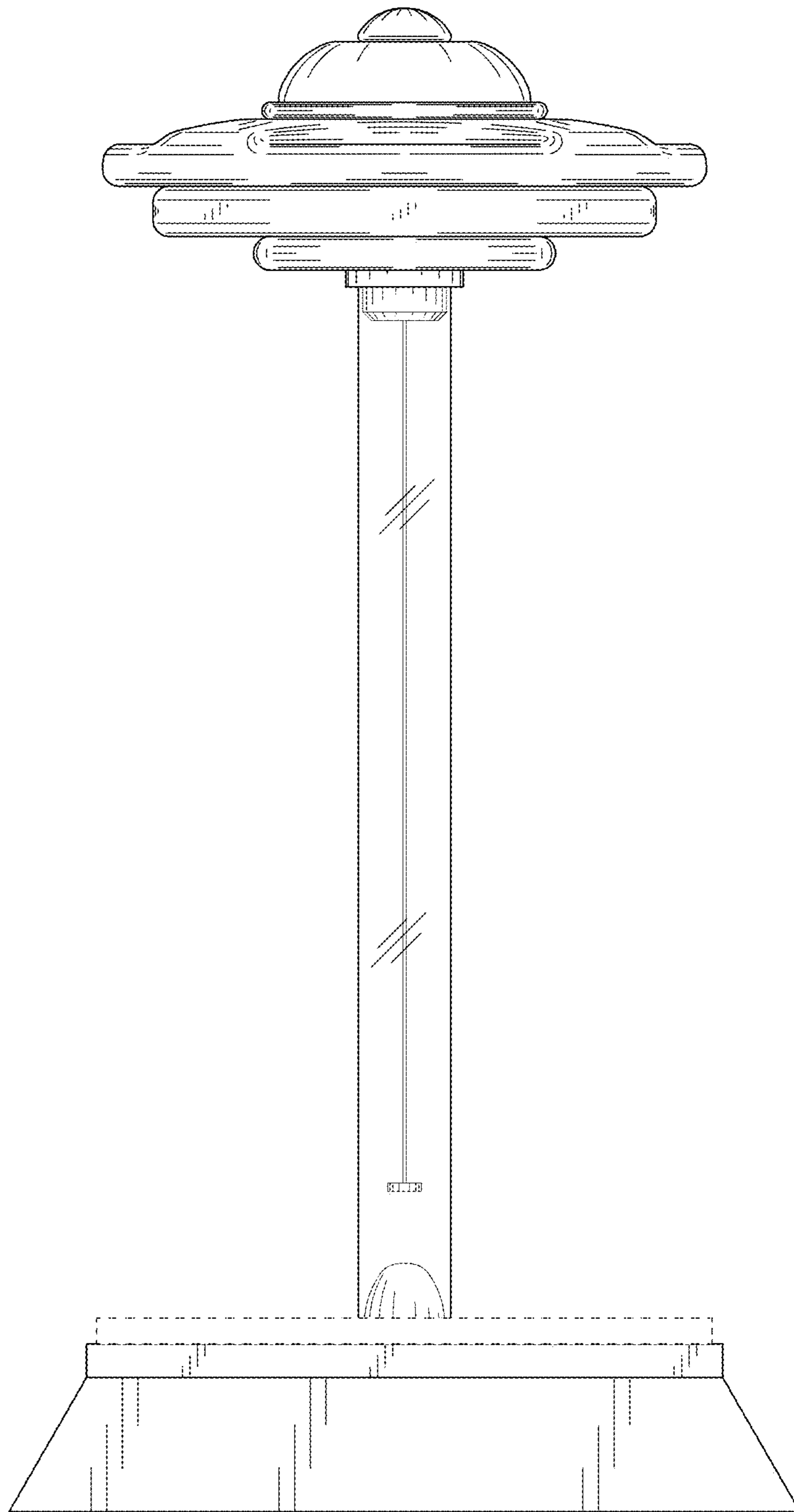


FIG. 5

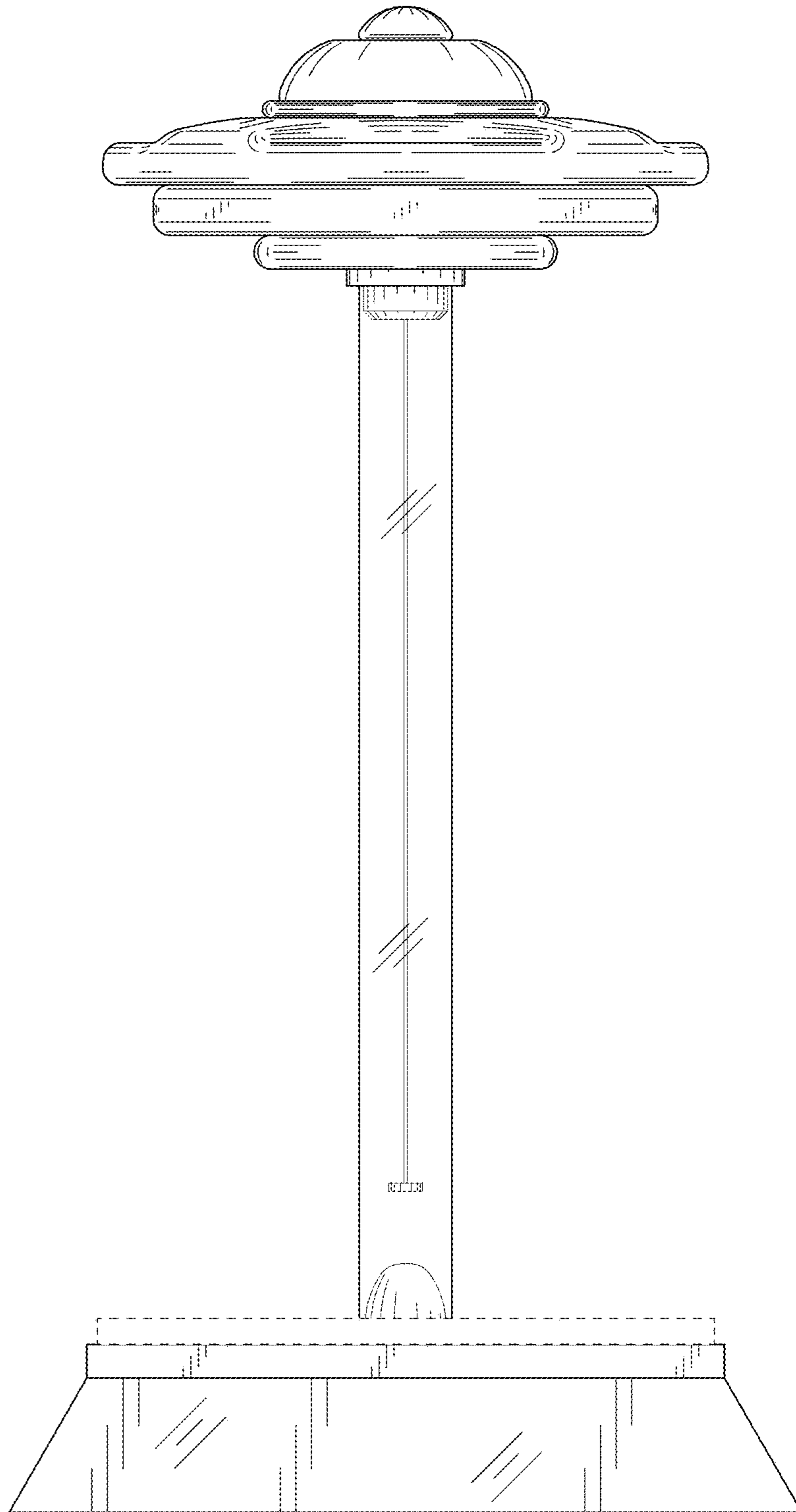


FIG. 6

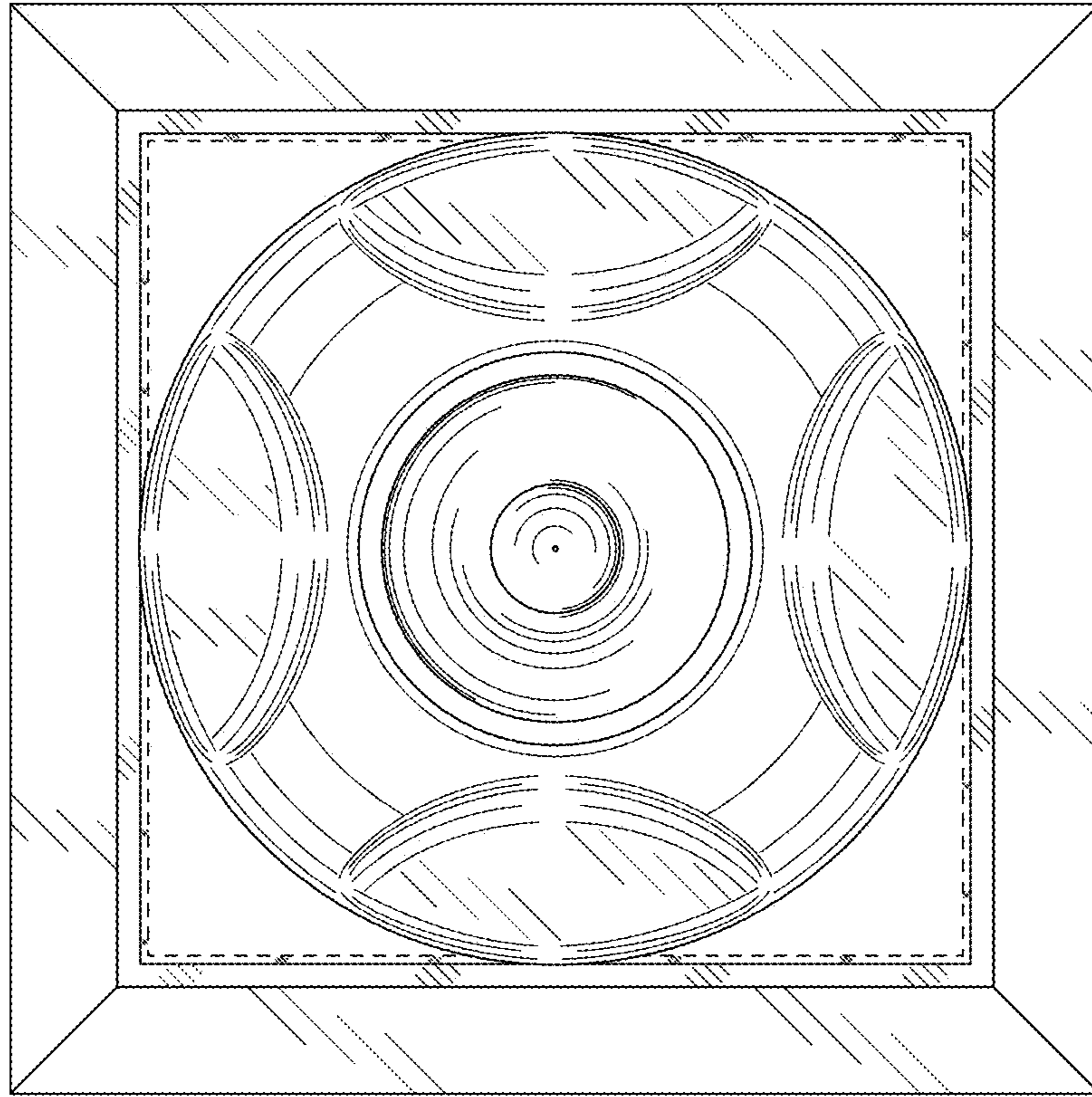


FIG. 7

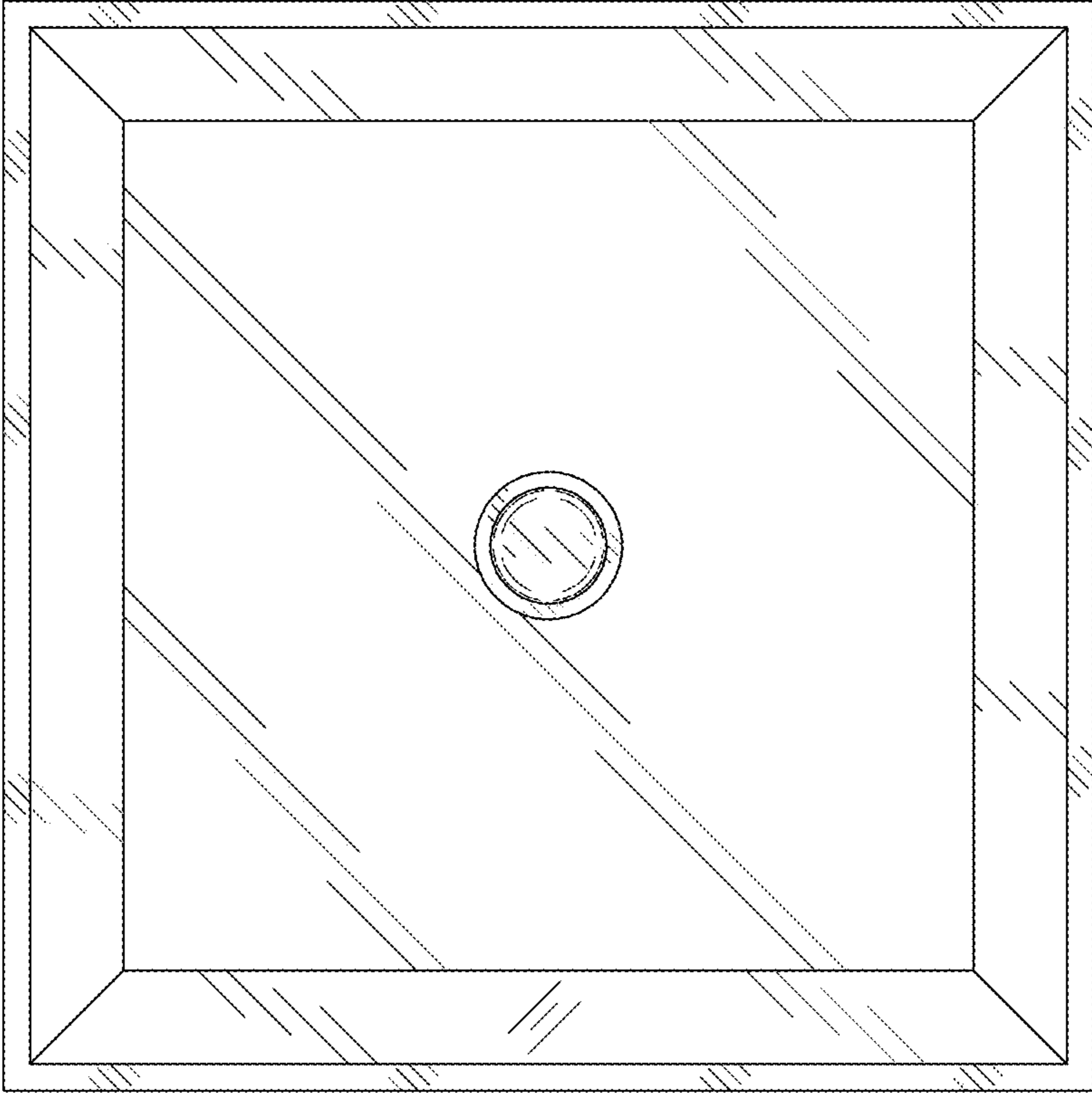


FIG. 8