



US00D975784S

(12) **United States Design Patent**
Wang

(10) **Patent No.:** **US D975,784 S**
(45) **Date of Patent:** **** Jan. 17, 2023**

(54) **TOY AIRCRAFT**

(71) Applicant: **Liyun Wang**, Shantou (CN)

(72) Inventor: **Liyun Wang**, Shantou (CN)

(**) Term: **15 Years**

(21) Appl. No.: **29/768,027**

(22) Filed: **Jan. 27, 2021**

(51) **LOC (14) Cl.** **21-07**

(52) **U.S. Cl.**
USPC **D21/447**; D12/16.1

(58) **Field of Classification Search**
USPC D12/1, 2, 3, 4, 16.1, 174, 319–345;
D21/436–455

CPC B64C 29/0033; B64C 2201/021; B64C
29/02; B64C 2201/088; B64C 2201/104;
B64C 2201/141

See application file for complete search history.

(56) **References Cited**

U.S. PATENT DOCUMENTS

D281,680 S *	12/1985	Henderson	D12/333
4,662,588 A *	5/1987	Henderson	B64C 1/36 343/708
D388,392 S *	12/1997	McGinnis	D12/333
D418,805 S *	1/2000	Cycon	D12/333
D708,563 S *	7/2014	Colten	D21/450
D783,453 S *	4/2017	Klick	D12/16.1
D813,143 S *	3/2018	Belik	D12/326
D813,956 S *	3/2018	McConville	D21/447
D843,305 S *	3/2019	MacAndrew	D12/319
D866,394 S *	11/2019	Shih	D12/16.1

2017/0355460 A1 *	12/2017	Shannon	B66C 1/38
2019/0329863 A1 *	10/2019	King	B64C 3/185
2019/0329867 A1 *	10/2019	Cravener	B64C 3/56

OTHER PUBLICATIONS

Bompow Drone for Kids UFO Drone [Jul. 7, 2022] found online [Jul. 7, 2022]—https://www.amazon.com/BOMPOW-Boys-Drones-Controlled-Flying/dp/B07RRG2BVN/ref=asc_df_B07RRG2BVN/?tag=&linkCode=df0&hvadid=343187928718&hvpos=&hvnetw=g&hvrand=3262277822192204497&hvpone=&hvptwo=&hvqmt=&hvdev=c&hvdvcmdl=&hvlocint=&hvlocphy=9059.*

* cited by examiner

Primary Examiner — John A Voytek

(74) *Attorney, Agent, or Firm* — Rumit Ranjit Kanakia

(57) **CLAIM**

The ornamental design for a toy aircraft, as shown and described.

DESCRIPTION

FIG. 1 is a Front elevational view of a toy aircraft showing my new design;

FIG. 2 is a Rear elevational view thereof;

FIG. 3 is a Left side view thereof;

FIG. 4 is a Right side view thereof;

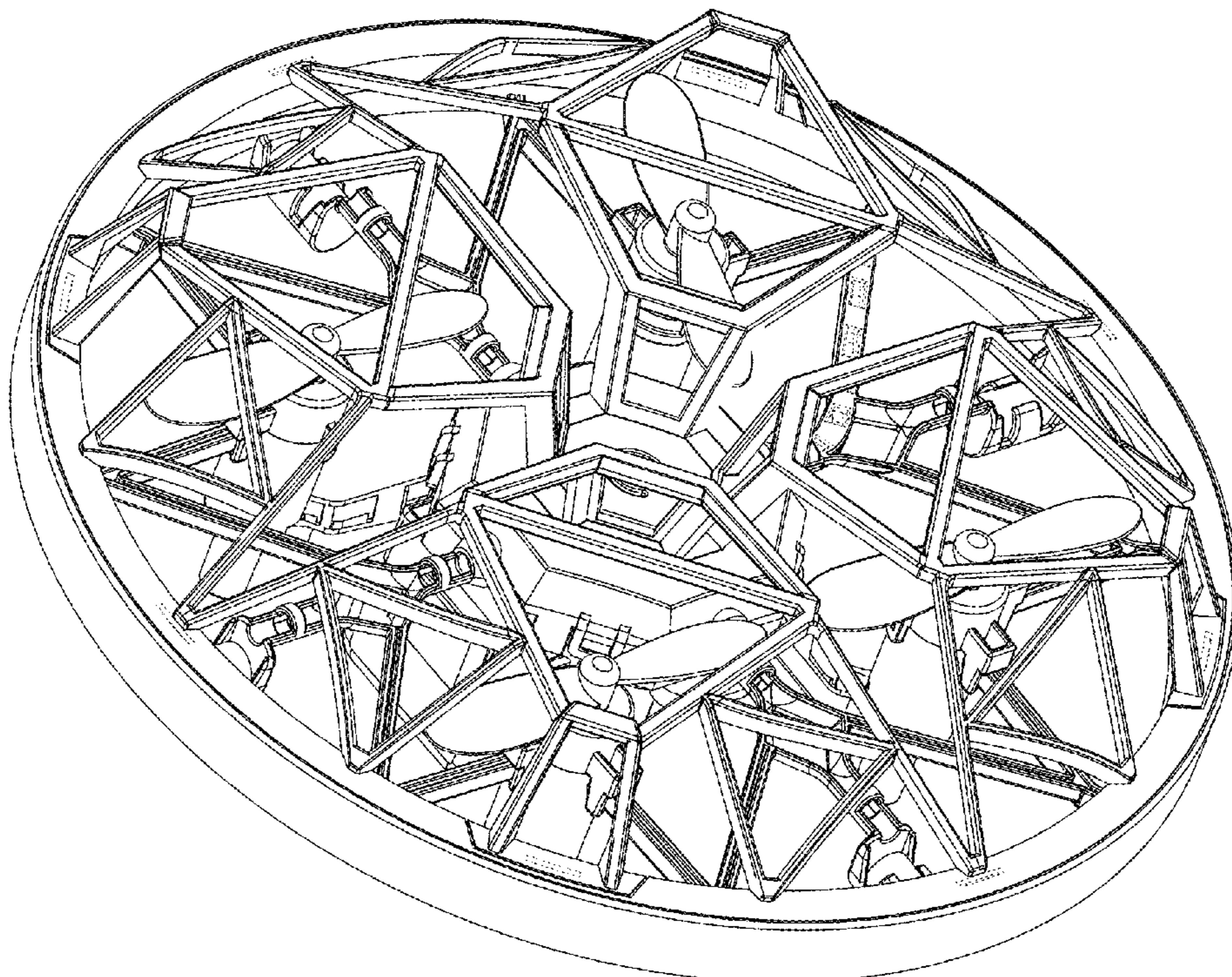
FIG. 5 is a Top plan view thereof;

FIG. 6 is a Bottom plan view thereof; and,

FIG. 7 is a Perspective views thereof.

The broken lines shown in the drawings depict portions of the toy aircraft that form no part of the claimed design.

1 Claim, 7 Drawing Sheets



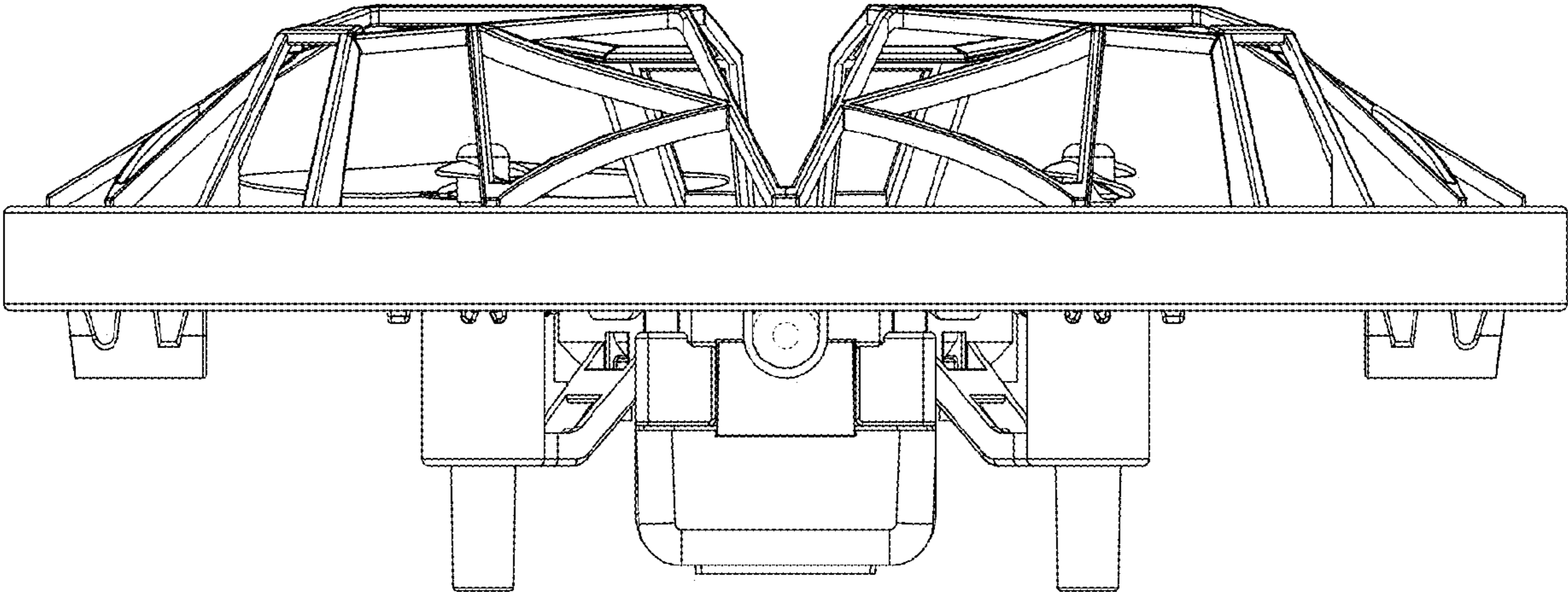


FIG. 1

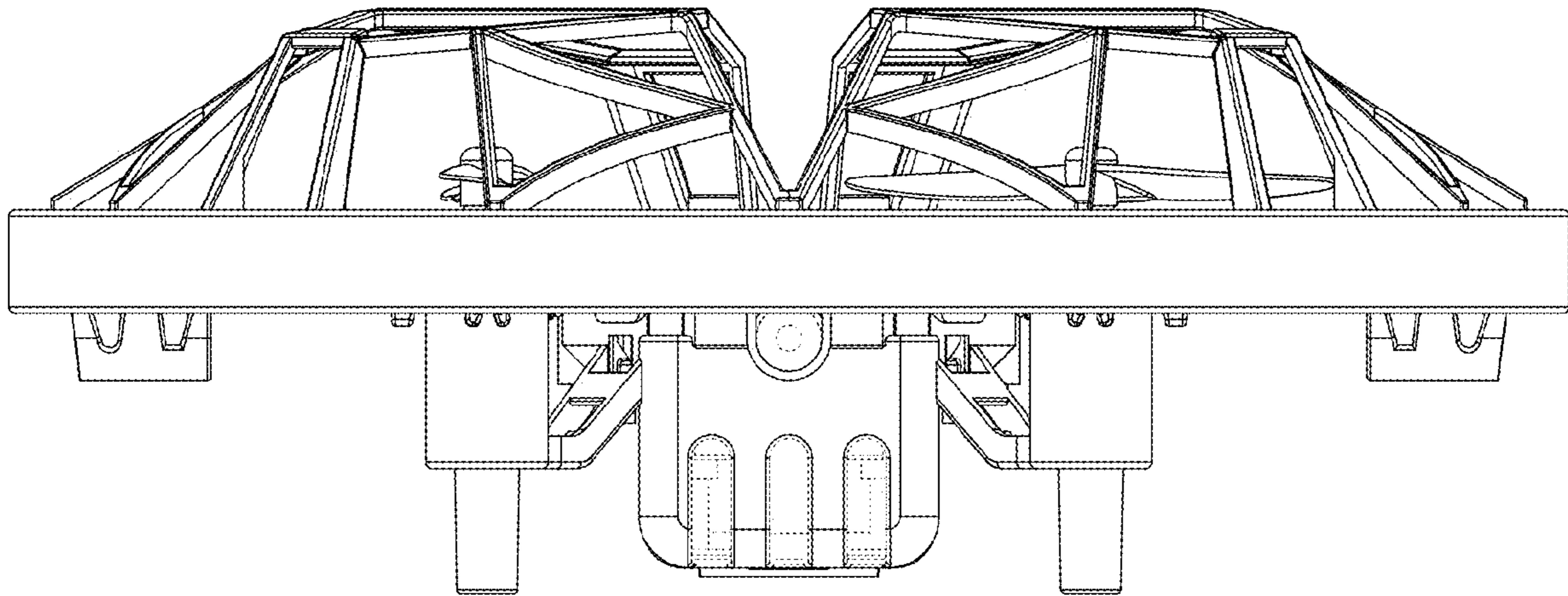


FIG. 2

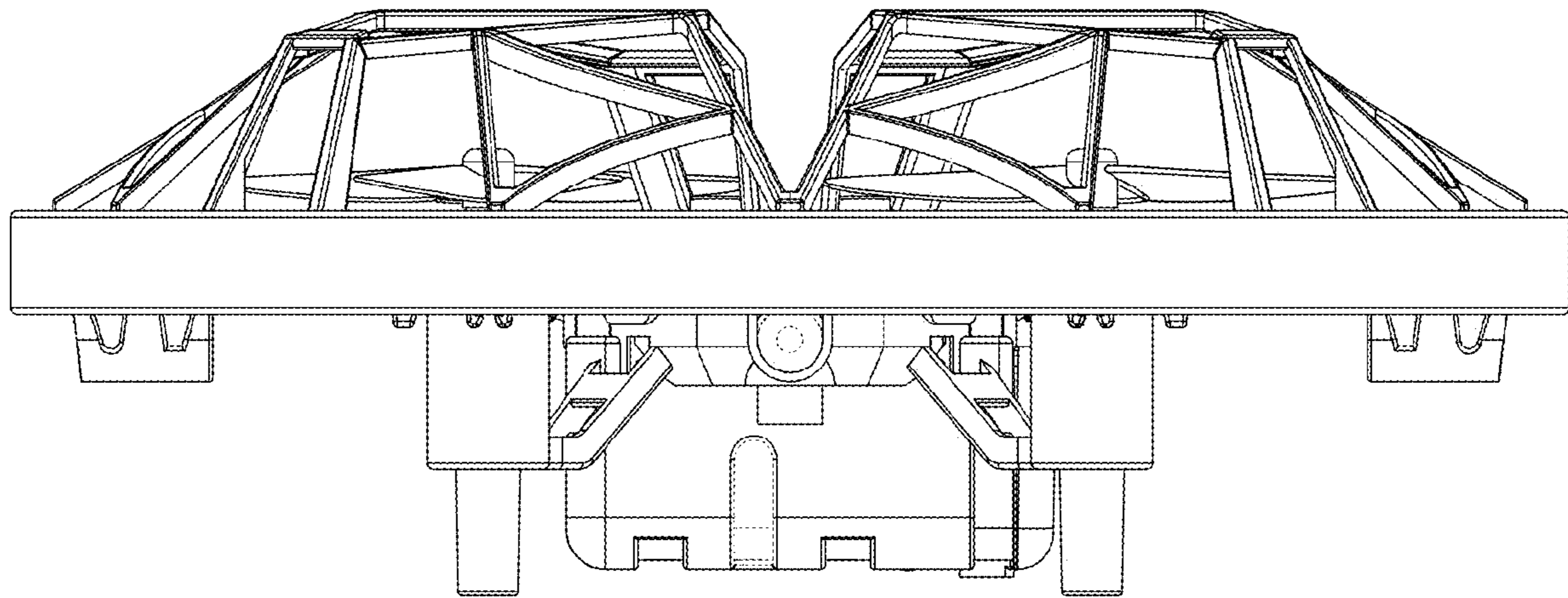


FIG. 3

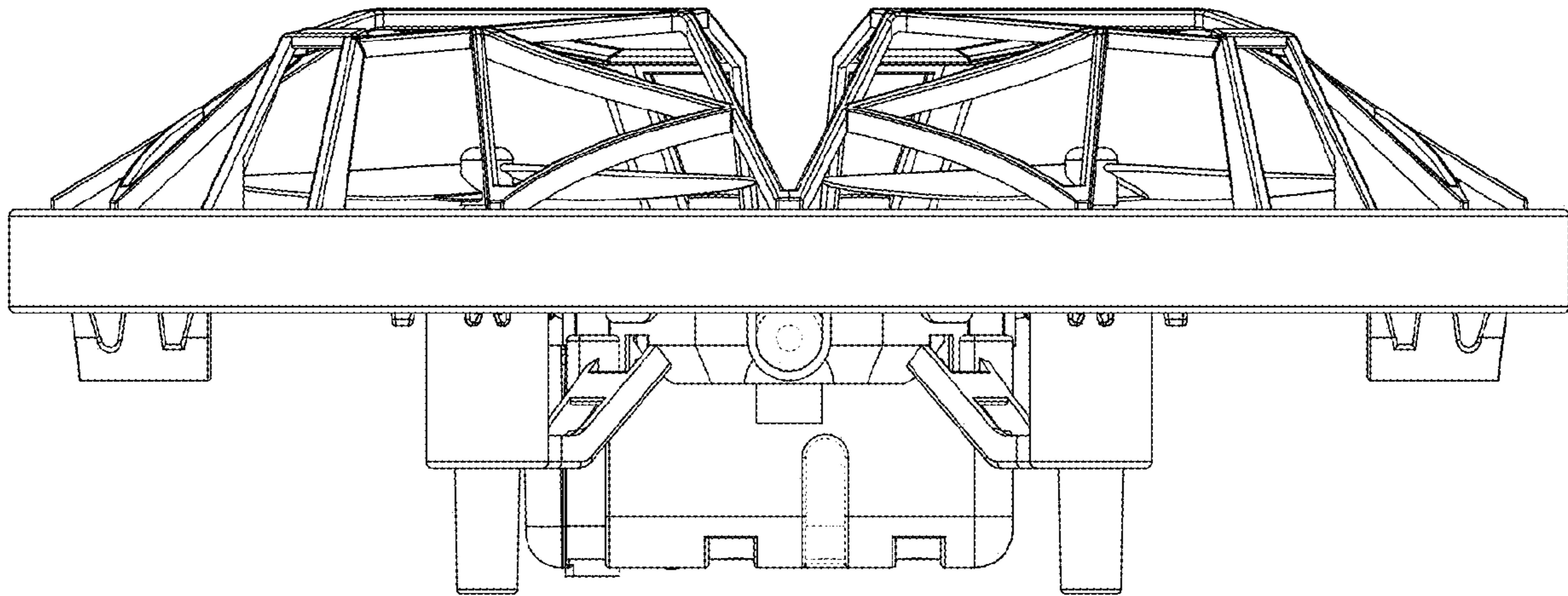


FIG. 4

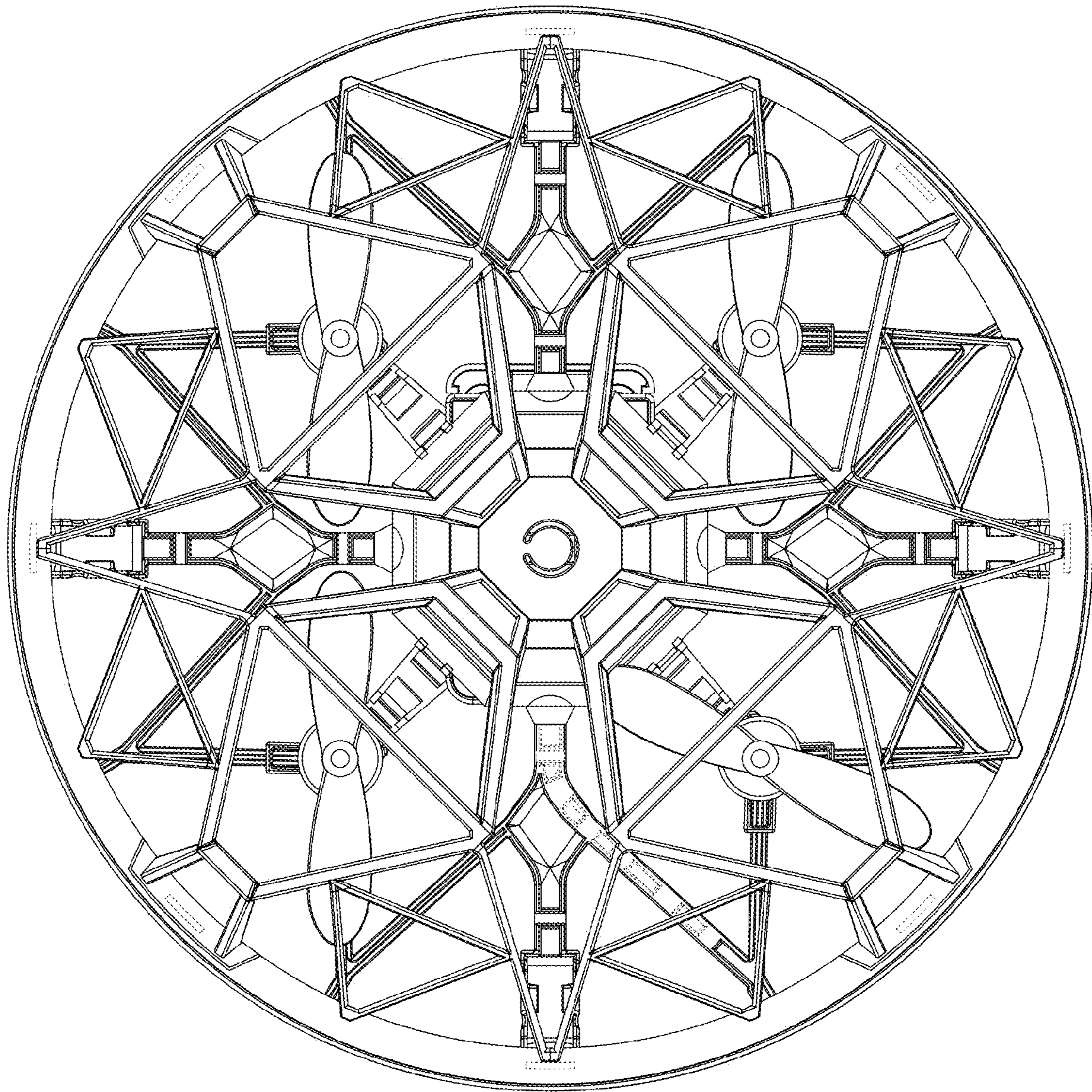


FIG. 5

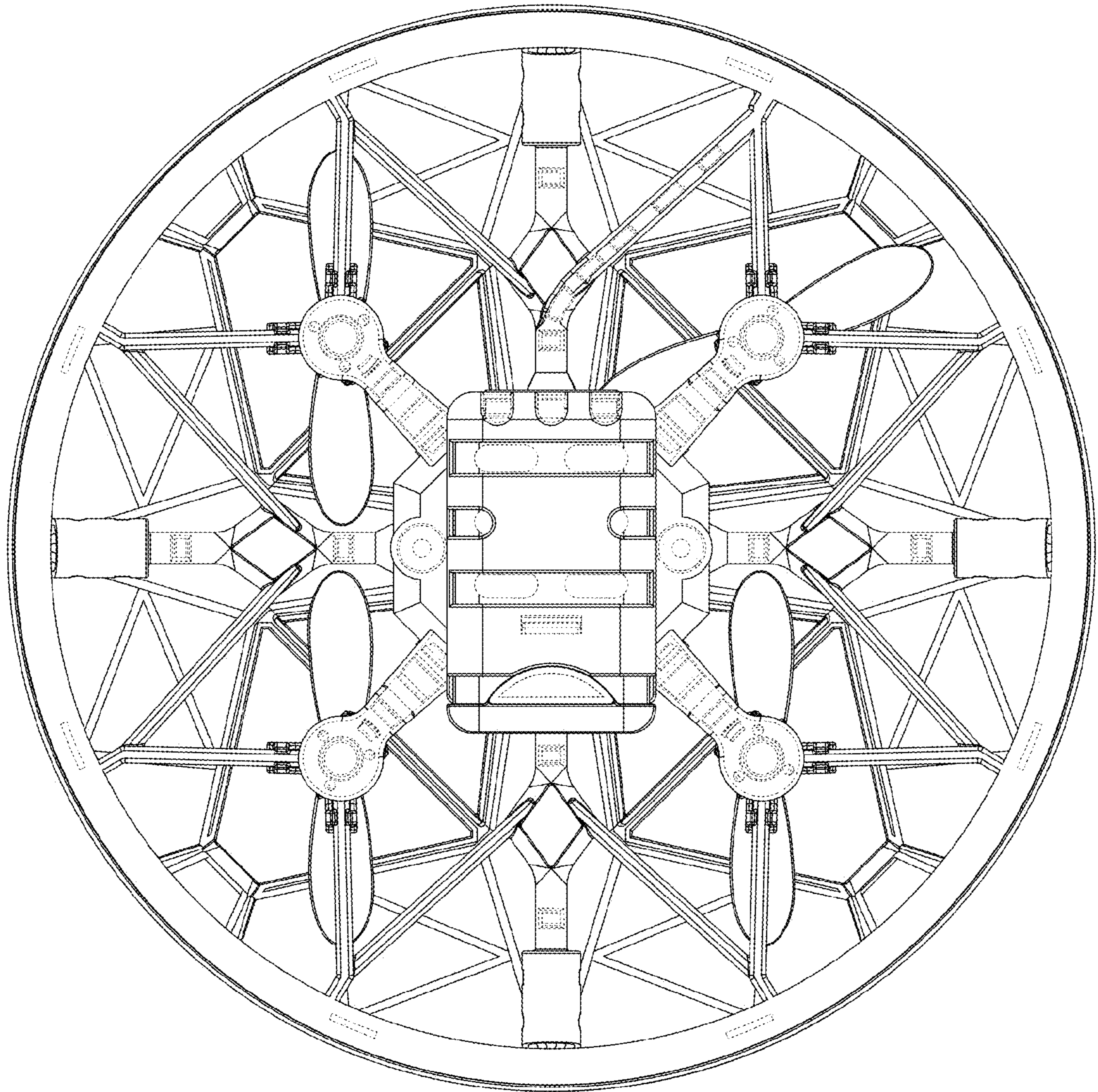


FIG. 6

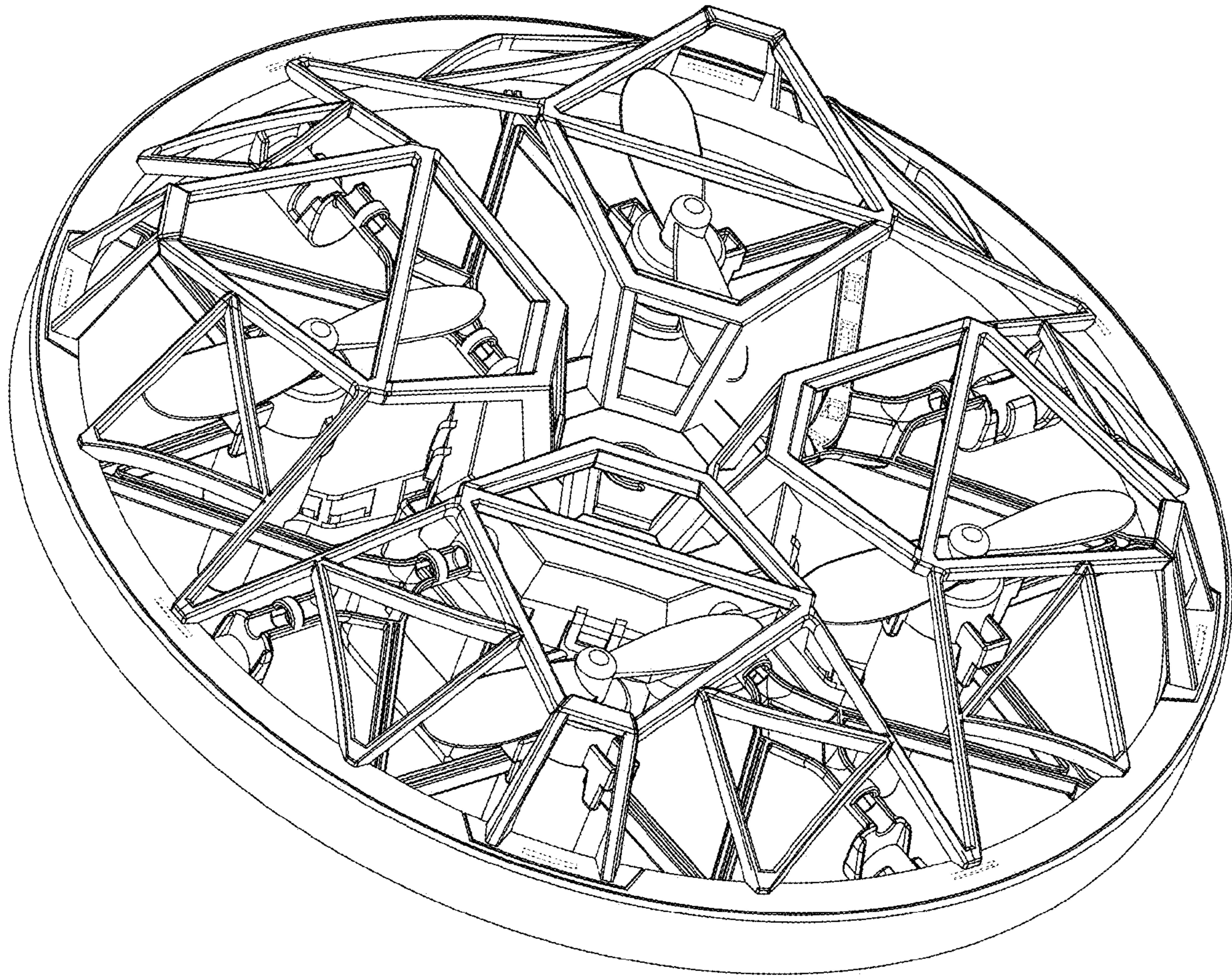


FIG. 7