



US00D975782S

(12) **United States Design Patent** (10) **Patent No.:** **US D975,782 S**  
**Huang** (45) **Date of Patent:** **\*\* Jan. 17, 2023**

(54) **TOY XYLOPHONE**

FOREIGN PATENT DOCUMENTS

(71) Applicant: **Jinjian Huang**, Yunhe (CN)

CN 302269378 \* 1/2013  
CN 303060109 \* 12/2014

(72) Inventor: **Jinjian Huang**, Yunhe (CN)

(Continued)

(\*\*) Term: **15 Years**

OTHER PUBLICATIONS

(21) Appl. No.: **29/765,119**

Shierdu Toy, available on you-buy.ca, oldest customer review Nov. 17, 2020, [site visited Mar. 16, 2022], URL: <https://www.you-buy.ca/en/product/1AGFOSTQG-wooden-educational-toy-hammering-pounding-toys-xylophone-birthday-gift-for-3-years-boy-girl-baby-toddler-kids-hitting-pull-along-elephant-gopher-toy> (Year: 2020).\*

(22) Filed: **Jan. 6, 2021**

(Continued)

(51) **LOC (14) Cl.** ..... **21-01**

(52) **U.S. Cl.**

USPC ..... **D21/410**; D21/409

(58) **Field of Classification Search**

USPC ..... D21/398, 468, 469, 470, 474, 475, 476, D21/405, 406, 407, 409, 410, 411; D19/59, 60, 62; D17/23, 24, 99  
CPC .... A63F 9/06; A63F 9/08; A63H 5/00; G09B 1/00; G09B 1/02; G09B 1/06; G09B 1/14; G09B 1/18; G10C 5/00; G10H 2230/045; G10H 2230/055; G10H 2230/065

*Primary Examiner* — Dana K Weiland

*Assistant Examiner* — Emily Anna Saunders

(74) *Attorney, Agent, or Firm* — Rumit Ranjit Kanakia

See application file for complete search history.

(57) **CLAIM**

The ornamental design for a toy xylophone, as shown and described.

(56) **References Cited**

**DESCRIPTION**

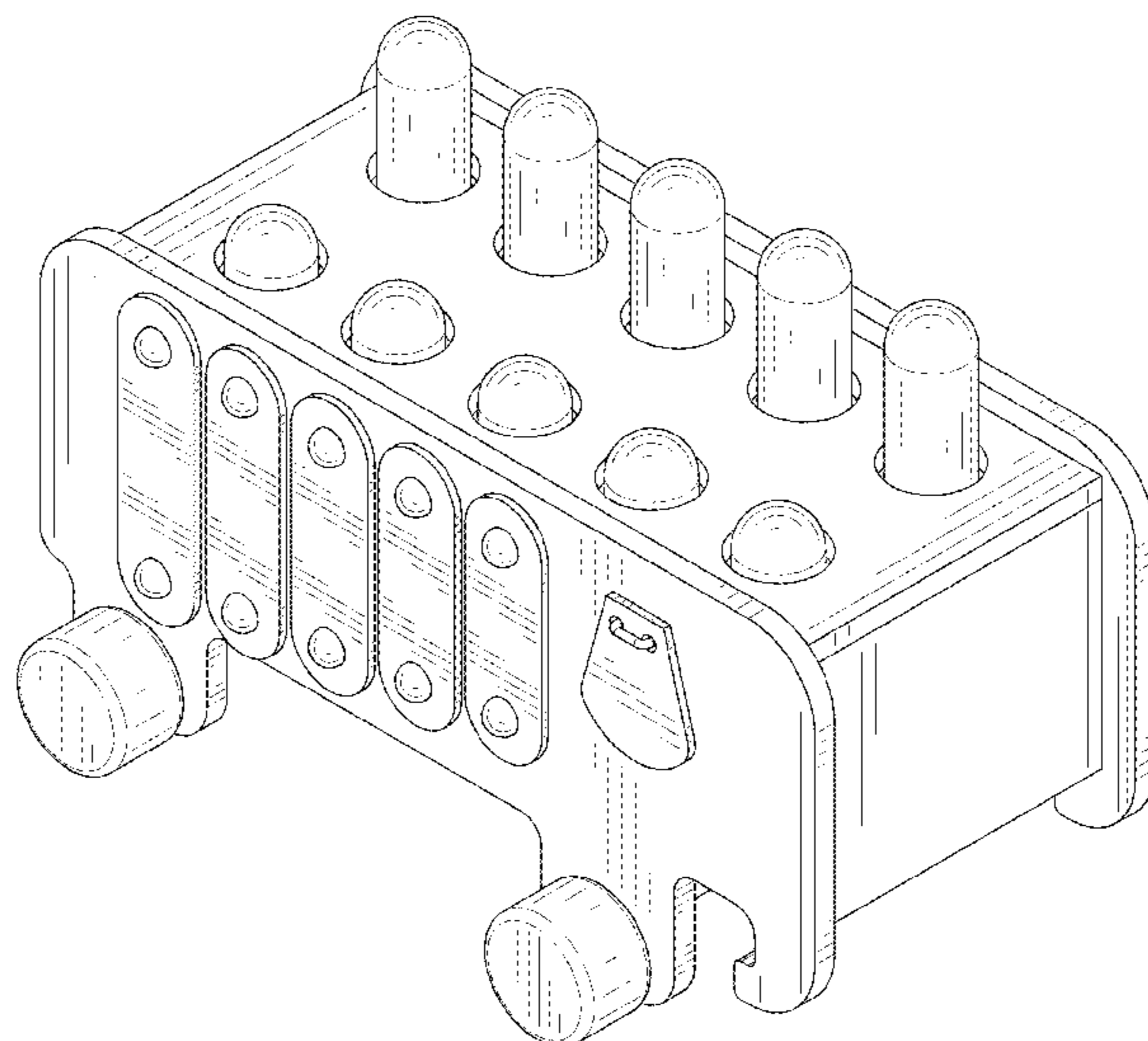
U.S. PATENT DOCUMENTS

D113,170 S \* 1/1939 Miller ..... D21/470  
D175,525 S \* 9/1955 Zimmerman ..... D17/23  
2,788,697 A \* 4/1957 Anthony ..... A63H 5/00  
D17/1  
2,837,862 A \* 6/1958 Cleveland ..... A63H 33/00  
446/1  
3,138,894 A \* 6/1964 La Reaux ..... A63H 33/00  
446/1  
D208,925 S \* 10/1967 Campbell ..... D21/409  
D268,038 S \* 2/1983 Appel ..... D21/410  
D277,970 S \* 3/1985 York ..... D21/592  
D280,915 S \* 10/1985 Catelli ..... D21/410  
D318,305 S \* 7/1991 Takahashi ..... D21/410  
D321,728 S \* 11/1991 Wehmeyer ..... D21/410  
D349,135 S \* 7/1994 Strayer ..... D21/470  
D359,521 S \* 6/1995 Kino ..... D21/410

FIG. 1 is a first perspective view of a toy xylophone showing my new design;  
FIG. 2 is a second perspective view thereof;  
FIG. 3 is a front view thereof;  
FIG. 4 is a back view thereof;  
FIG. 5 is a left side view thereof;  
FIG. 6 is a right side view thereof;  
FIG. 7 is a top view thereof;  
FIG. 8 is a bottom view thereof; and,  
FIG. 9 is a perspective view of FIG. 1 in an environment of use.  
The broken lines in FIG. 9 show environmental subject matter only and form no part of the claimed design. All other broken lines show portions of the toy xylophone that form no part of the claimed design.

(Continued)

**1 Claim, 9 Drawing Sheets**



(56)

**References Cited**

U.S. PATENT DOCUMENTS

D384,691 S \* 10/1997 Heuser ..... 84/404  
 D419,615 S \* 1/2000 Thomas ..... D21/470  
 D630,616 S \* 1/2011 Vex ..... D17/99  
 D866,673 S \* 11/2019 Jin ..... D21/592  
 D907,718 S \* 1/2021 Reese ..... G06F 3/165  
 D17/23  
 D957,536 S \* 7/2022 Zhang ..... D21/475

FOREIGN PATENT DOCUMENTS

EM 008387138-0001 \* 1/2021  
 EM 008416259-0001 \* 3/2021  
 JP D1408461 \* 1/2011

OTHER PUBLICATIONS

Wooden Hammering and Pounding Toys, available on Amazon.com, date first available Feb. 15, 2022, [site visited Mar. 16, 2022], URL: <https://www.amazon.ca/Wooden-Hammering-Pounding-Toys-Elephant/dp/B09SHR4NV6/> (Year: 2022).\*

KIDWILL Wooden Hammering Pounding Toy, available on Amazon.co.uk, date first available Dec. 22, 2020, [site visited Mar. 16, 2022], URL: <https://www.amazon.co.uk/KIDWILL-Hammering-Pounding-Educational-Xylophone/dp/B08HLTFD1Z/> (Year: 2020).\*

Coriver 7-in-1 Wooden Hammer, available on Amazon.de, date first available Nov. 24, 2021, [site visited Mar. 16, 2022], URL: <https://www.amazon.de/Coriver-Xylophone-Percussion-Birthday-Toddlers/dp/B09MJ2RPJ9/> (Year: 2021).\*

RB&G Activity Elephant, available on Amazon.com, date first available Nov. 18, 2019, [site visited Mar. 16, 2022], URL: <https://www.amazon.de/-/en/Activity-Elephant-learning-wooden-colourfast/dp/B081P5FBQ4/> (Year: 2019).\*

Petit Musical Xylophone, available on Amazon.com, oldest customer review Jan. 2, 2018, [site visited Mar. 16, 2022], URL: <https://www.amazon.com/Petit-Collage-Modern-Elephant-Xylophone/dp/B0767BMQC7/> (Year: 2018).\*

DeXop Baby Toys, available on ubuy.com, oldest customer review Nov. 2, 2020, [site visited Mar. 16, 2022], URL: <https://www.ubuy.com.tr/en/product/1E6U7YVG-dexop-intellectual-school-bus-toy-xylophone-baby-toys-12-18-months-baby-girl-toys-push-pull-music-to> (Year: 2020).\*

Pull Along Truck Xylophone Car, available on Amazon.com, date first available Jun. 4, 2016, [site visited Mar. 16, 2022], URL: <https://www.amazon.co.uk/gp/product/B01GL2QFM4/> (Year: 2016).\*

\* cited by examiner

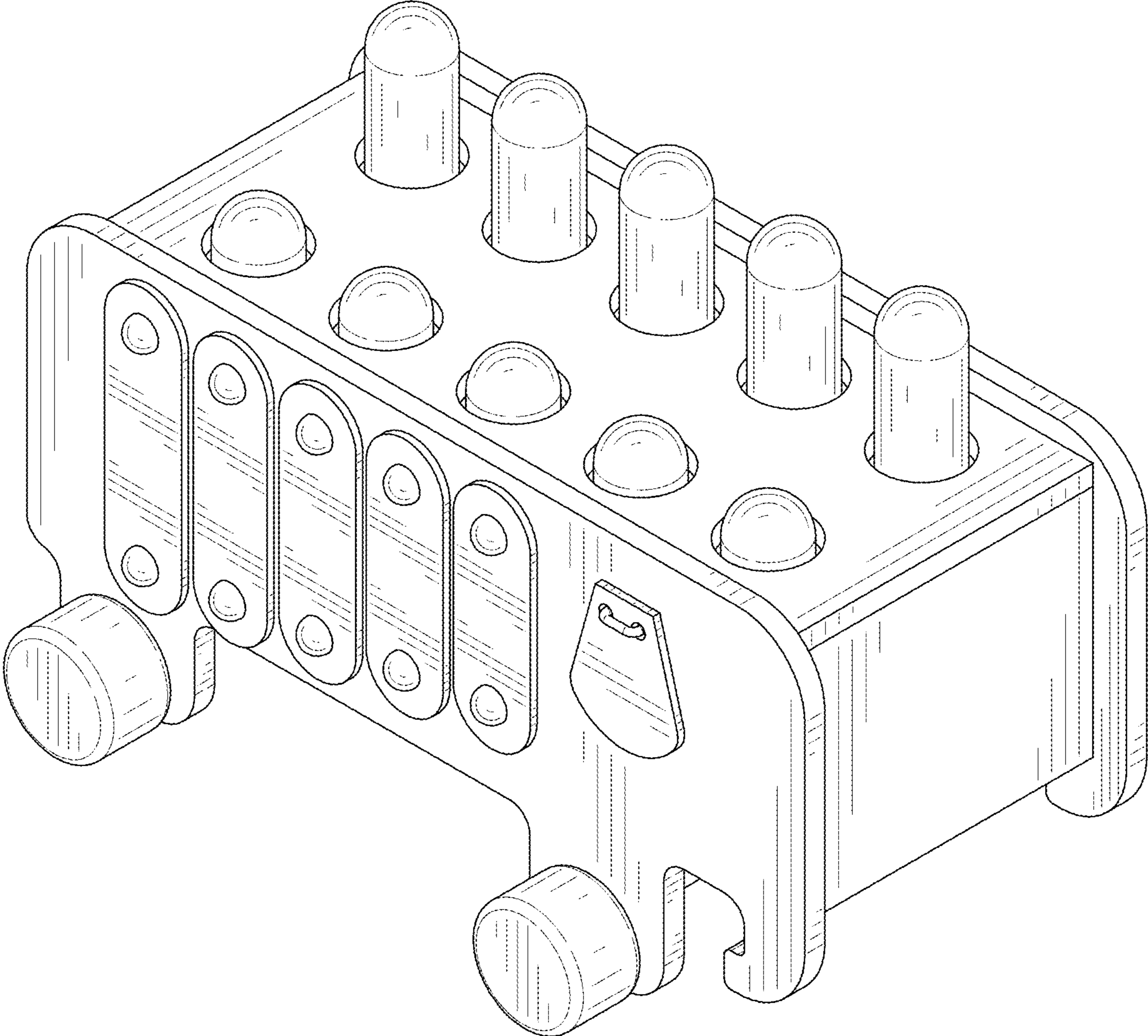


FIG. 1

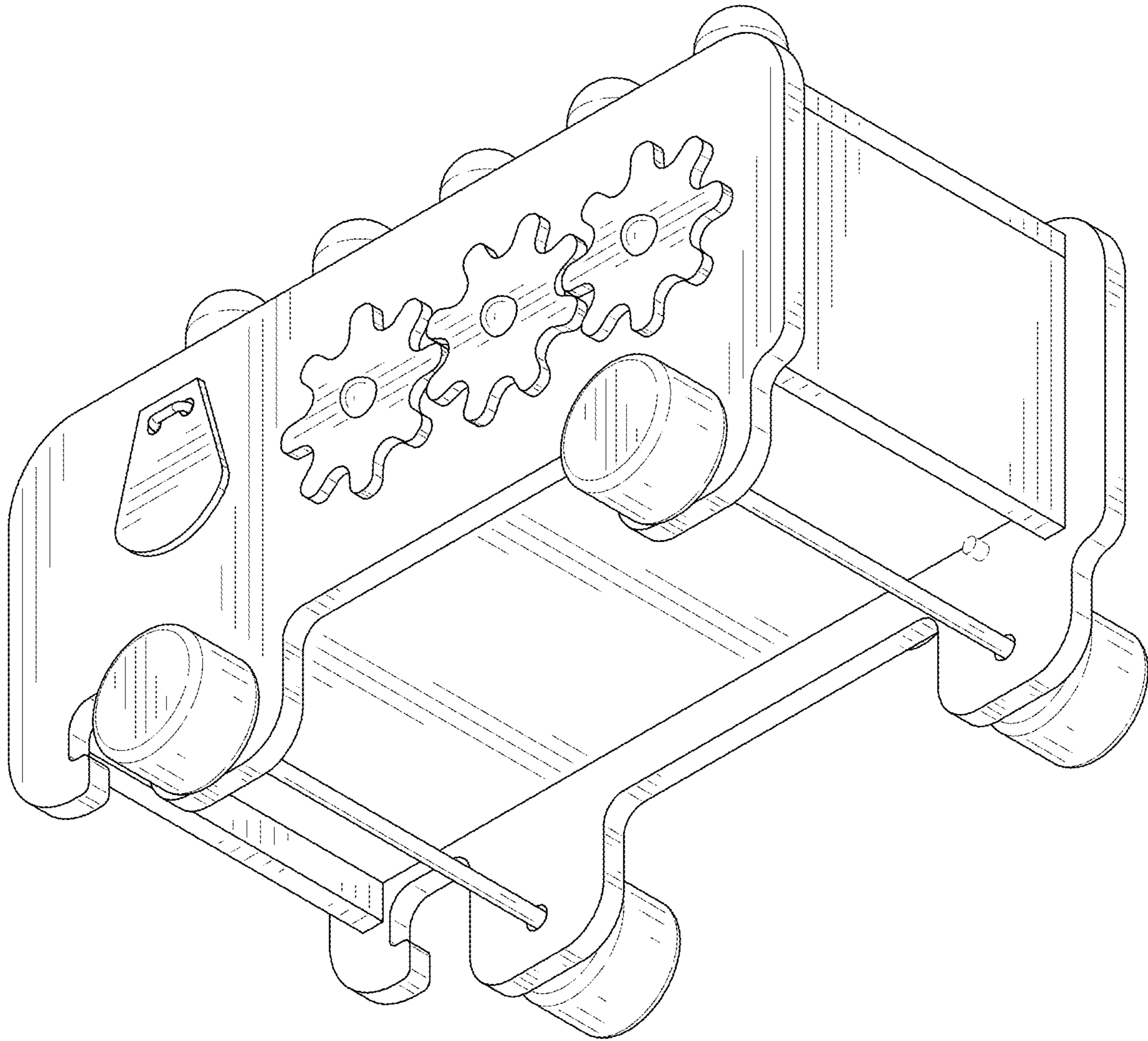


FIG. 2

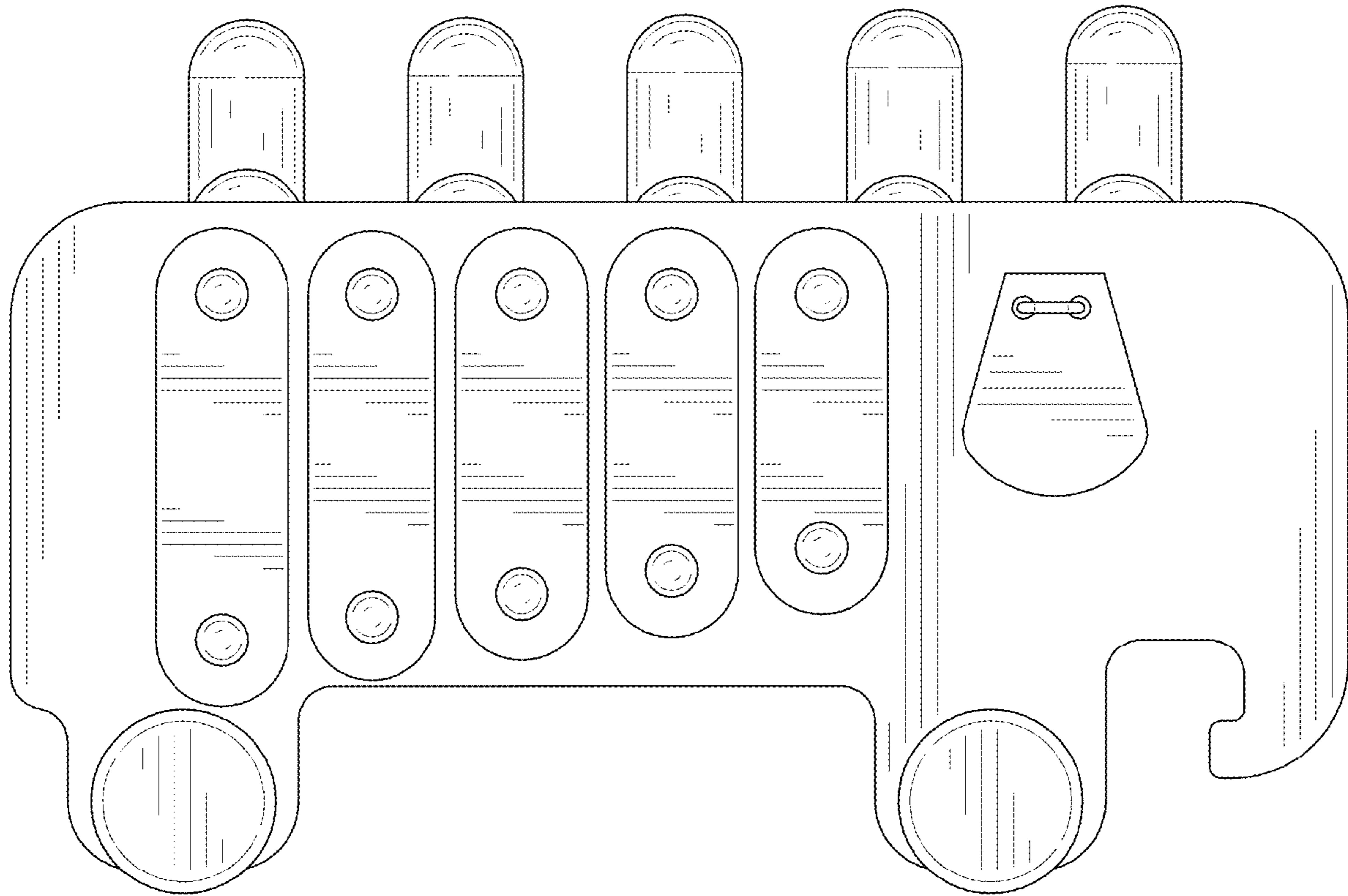


FIG. 3

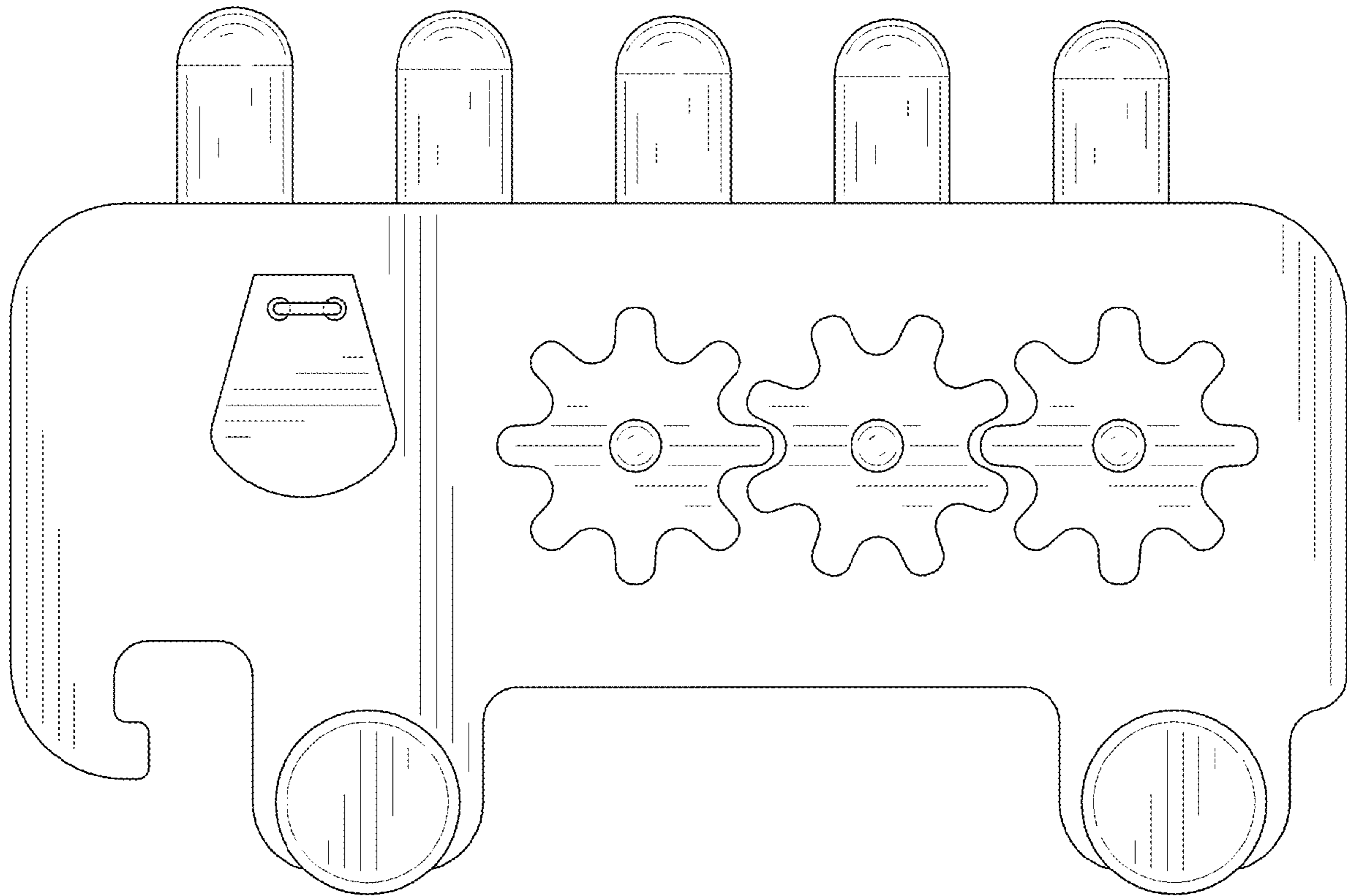


FIG. 4

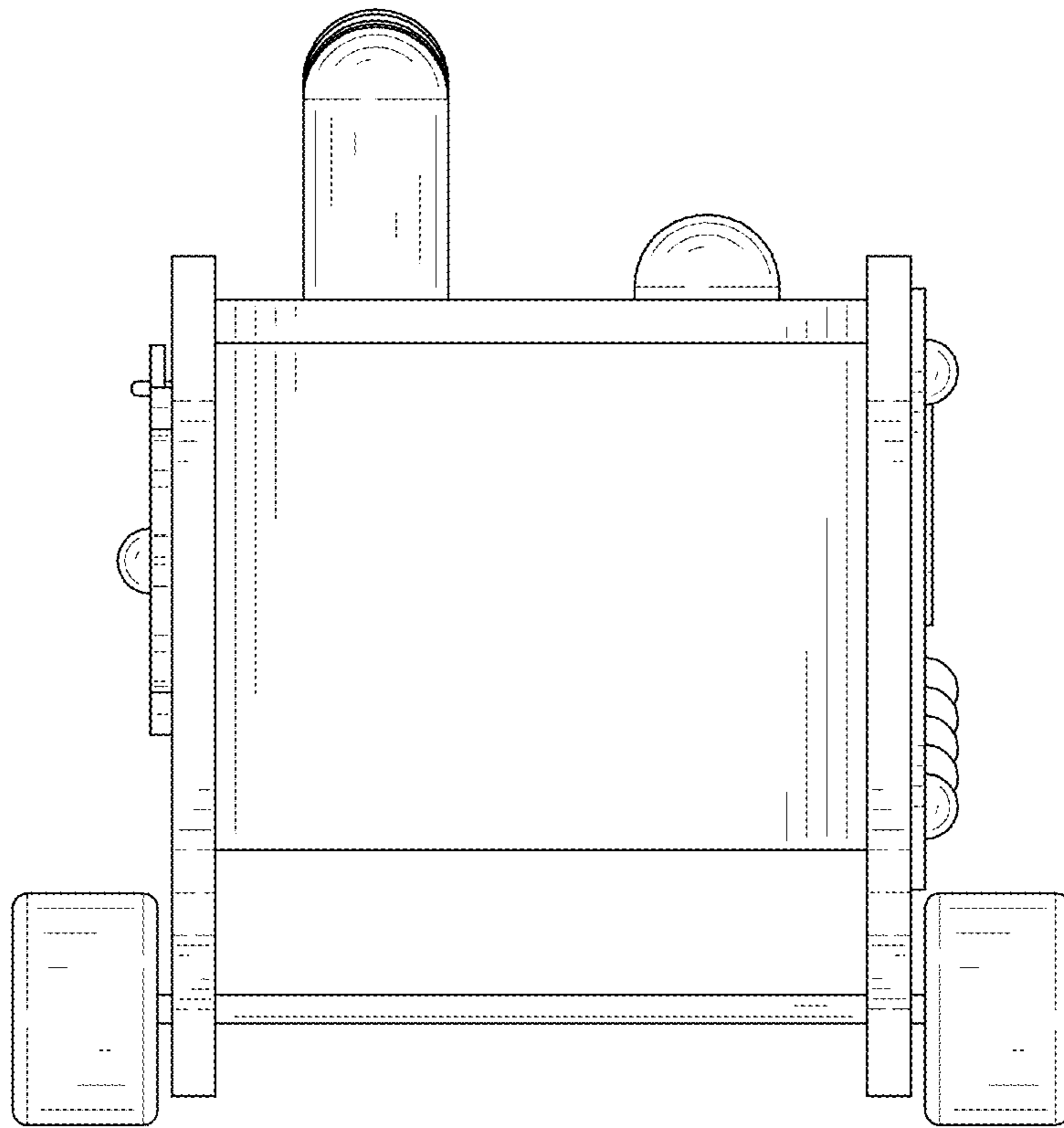


FIG. 5

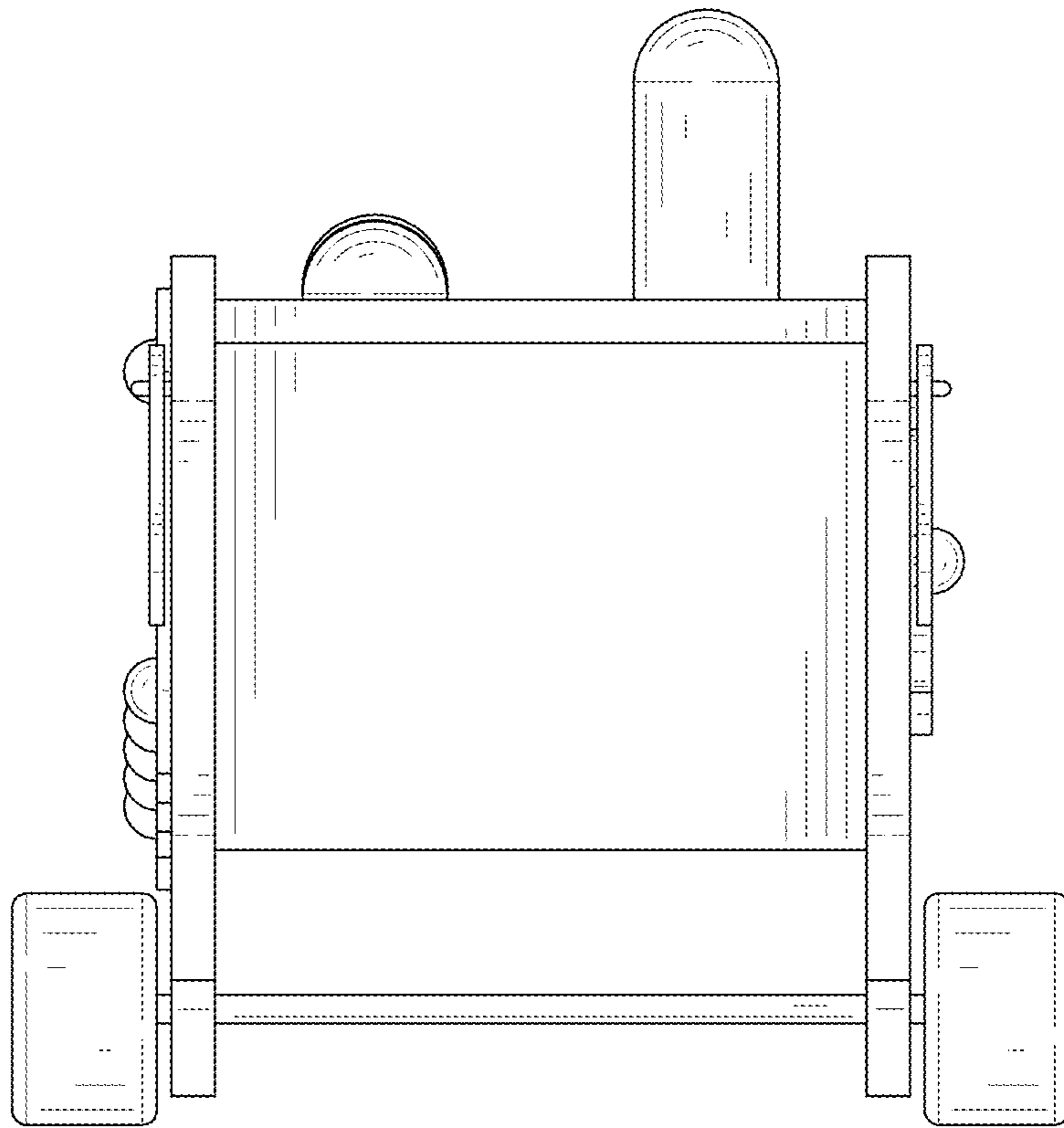


FIG. 6



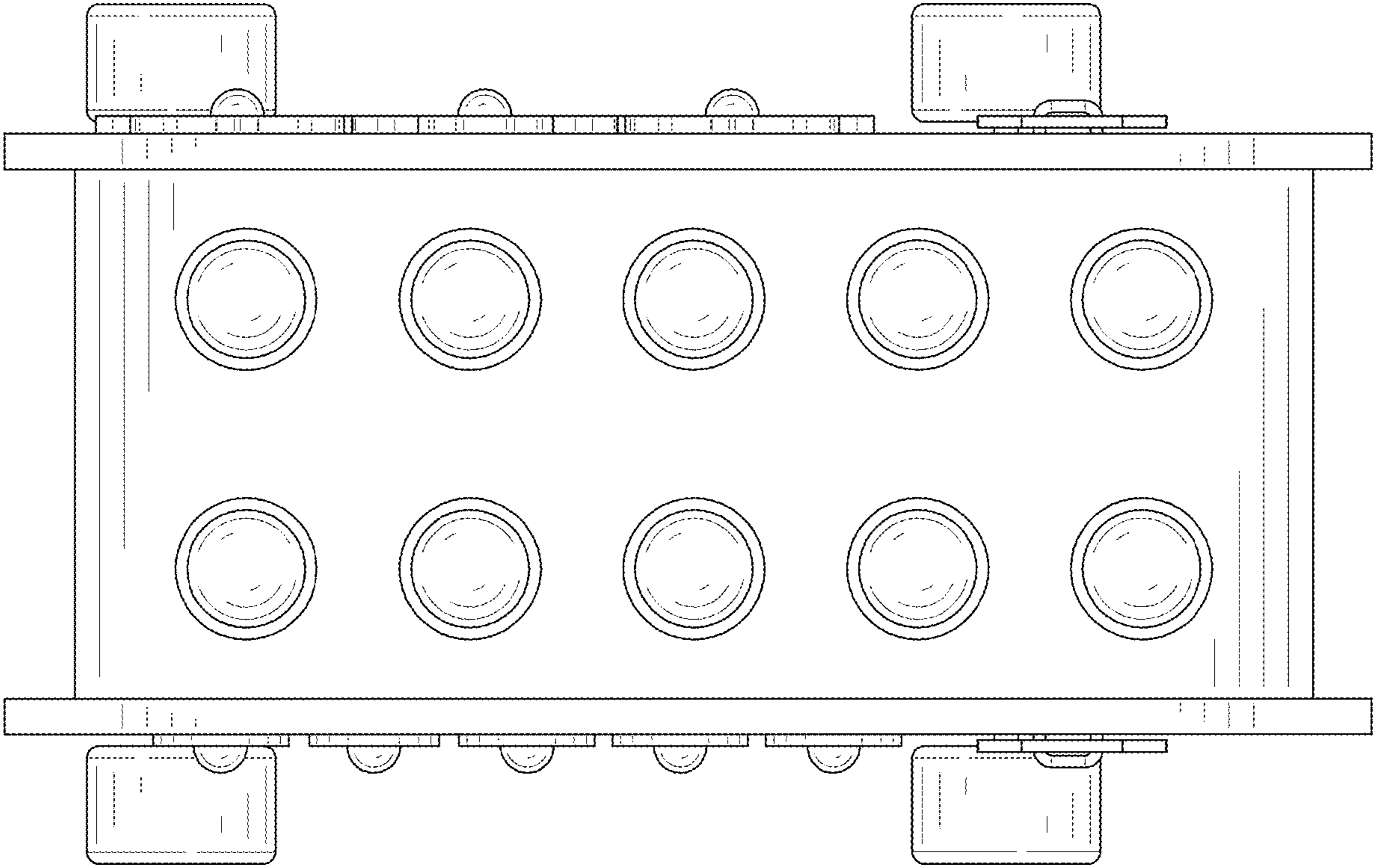


FIG. 7

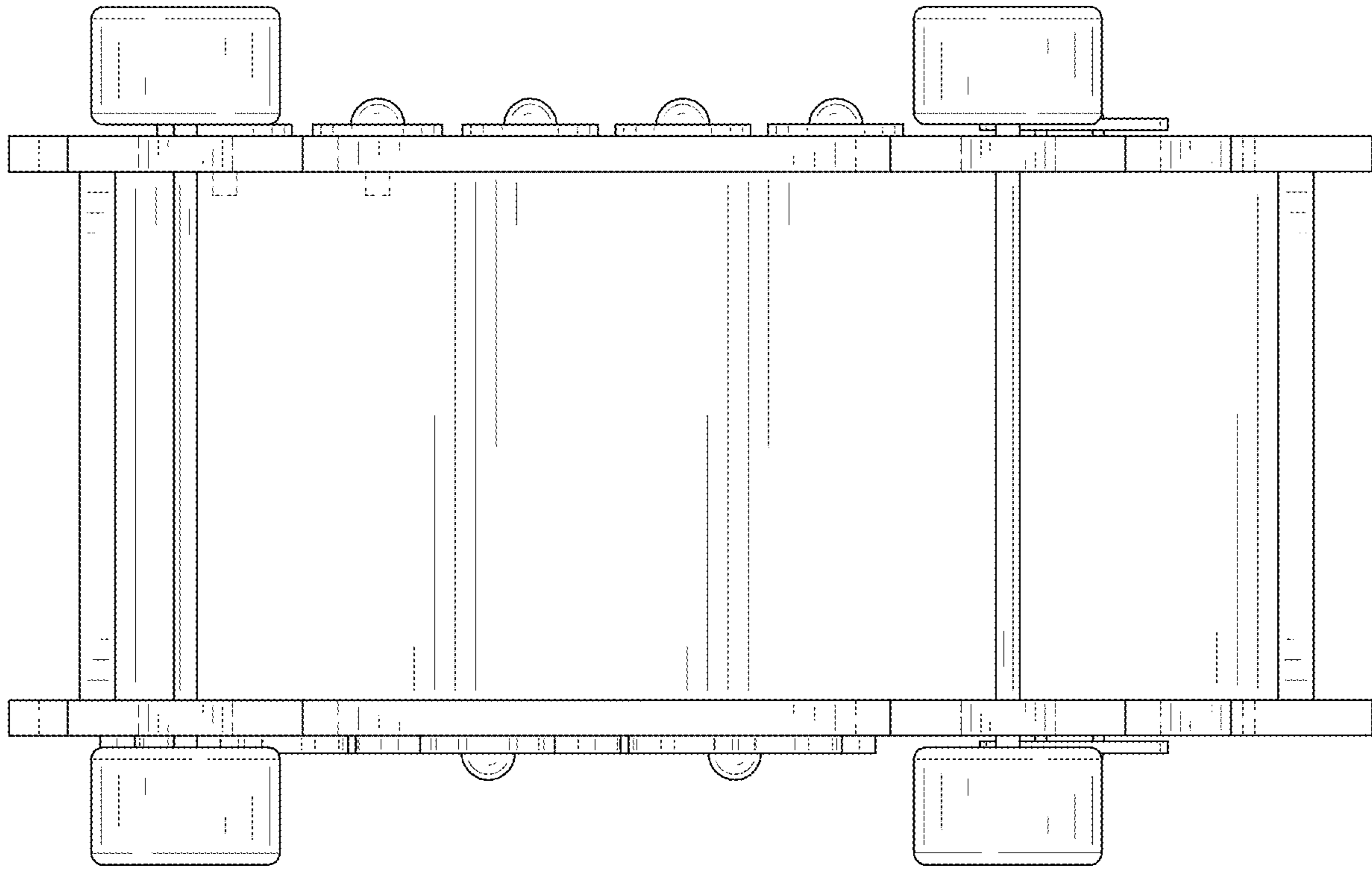


FIG. 8

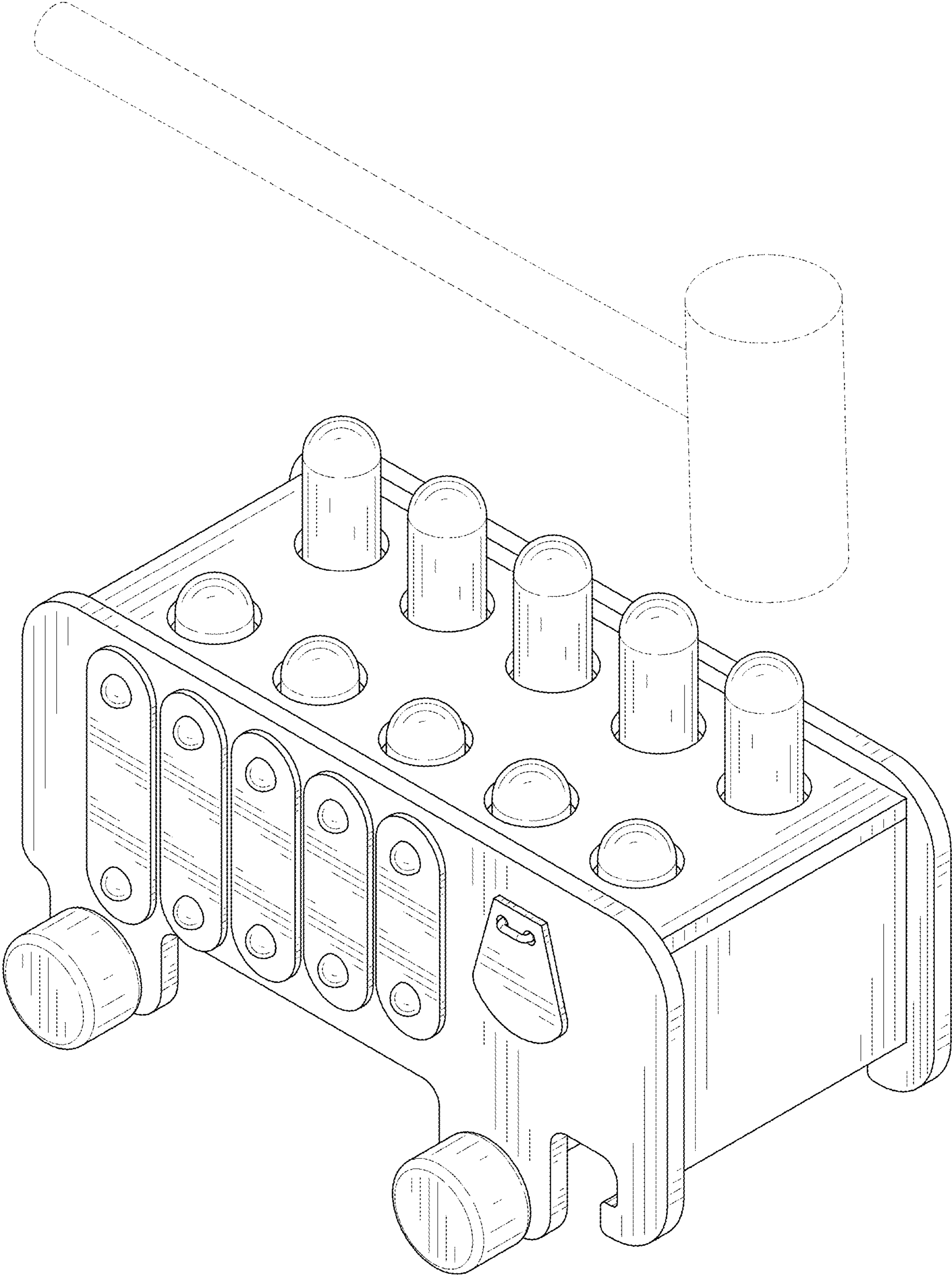


FIG. 9