



US00D975780S

(12) **United States Design Patent**
Van Dyke

(10) **Patent No.:** **US D975,780 S**
(45) **Date of Patent:** **** Jan. 17, 2023**

(54) **PEN CLIP**

(71) Applicant: **Michael Van Dyke**, Staunton, VA (US)

(72) Inventor: **Michael Van Dyke**, Staunton, VA (US)

(73) Assignee: **Michael Van Dyke**, Staunton, VA (US)

(**) Term: **15 Years**

(21) Appl. No.: **29/756,701**

(22) Filed: **Oct. 30, 2020**

(51) **LOC (14) Cl.** **19-06**

(52) **U.S. Cl.**
USPC **D19/197**

(58) **Field of Classification Search**
USPC D8/61; D24/112, 119, 209; D26/38;
D14/341, 411, 480; D19/142, 153, 158,
D19/177, 180, 192, 195, 196, 201, 202
CPC G06F 3/0354; G06F 3/0442
See application file for complete search history.

(56) **References Cited**

U.S. PATENT DOCUMENTS

1,468,562	A *	9/1923	Gilman, Jr.	B43K 25/02
				D19/196
D93,444	S *	10/1934	Blakeman	D19/196
D95,778	S *	5/1935	Peterson	D19/123
D95,938	S *	6/1935	Sypher	D19/196
D107,708	S *	12/1937	Ressinger et al.	D19/156
D115,544	S *	7/1939	Deli et al.	D19/196
D118,873	S *	2/1940	Vassos	D19/196
D139,558	S *	11/1944	Vuksich	D8/104
D145,171	S *	7/1946	Green et al.	D19/196
D332,282	S *	1/1993	Hu	D19/167
D484,913	S *	1/2004	Santa Maria	D19/196
D485,301	S *	1/2004	Santa Maria	D19/196
6,846,123	B1 *	1/2005	Bedford	B43M 7/002
				D19/123

D504,465	S *	4/2005	Shibata	D19/933
D586,398	S *	2/2009	Cheng	D19/197
2013/0300720	A1 *	11/2013	Hung	G06F 3/0354
				178/19.03

FOREIGN PATENT DOCUMENTS

CN	304014991	*	1/2017
KR	301079559.0000	*	10/2020

OTHER PUBLICATIONS

SIPLIV Pen Loop, Amazon.com, date published May 20, 2019, date retrieved May 3, 2022—29756701—<https://amzn.to/3OT7baX> (Year: 2019).*

Slimline Hockey Novelty Pen Clip, penblanks.com, Tineye, published Oct. 20, 2020—date retrieved May 3, 2022—29756701—<https://web.archive.org/web/20201020122702/https://www.penblanks.ca/Slimline-Hockey-Novelty-Pen-Clip/> (Year: 2020).*

* cited by examiner

Primary Examiner — Nicole C Shiflet
Assistant Examiner — Danielle Nichole Bowly

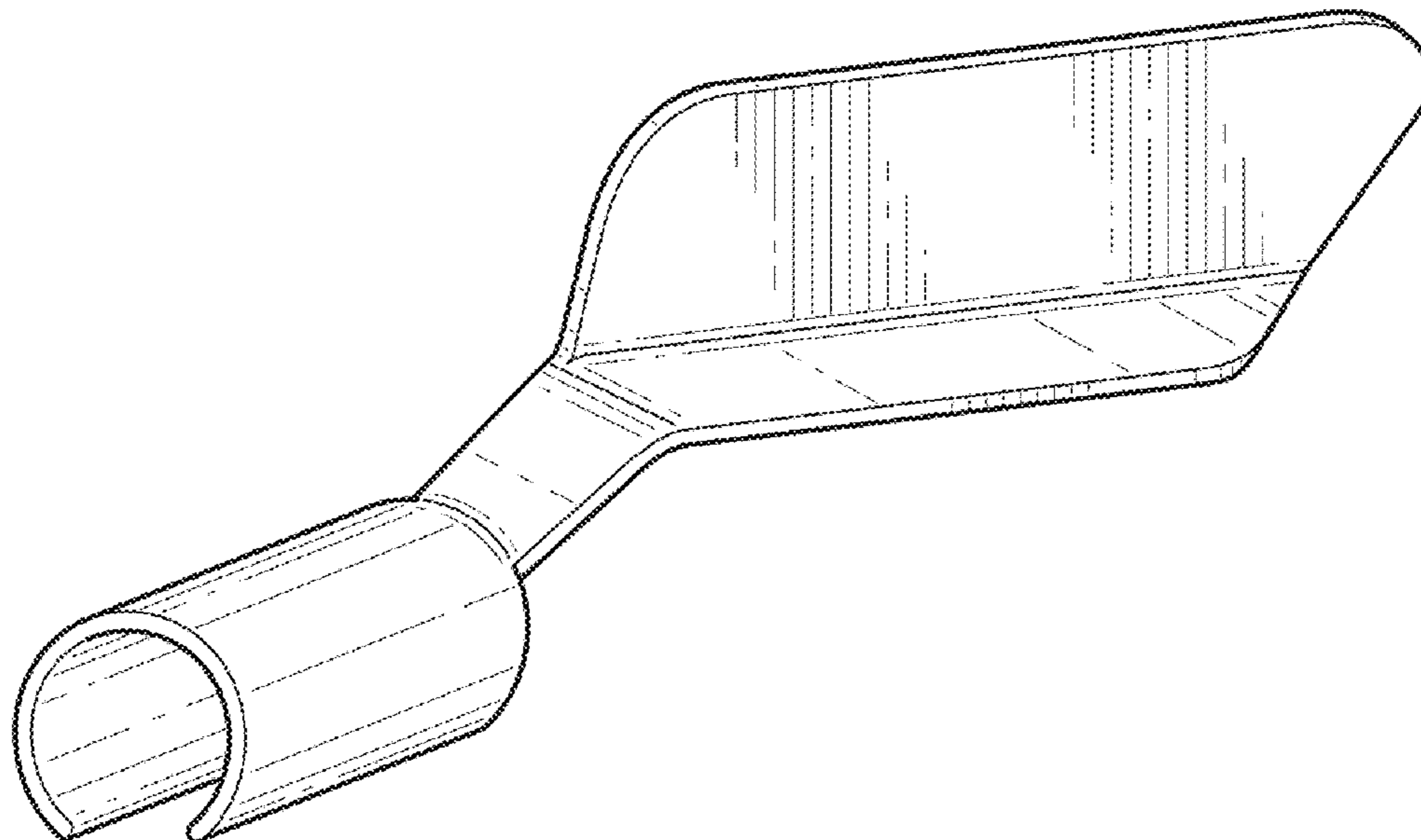
(57) **CLAIM**

The ornamental design for a pen clip, as shown and described.

DESCRIPTION

FIG. 1 is a front perspective view of a pen clip showing the new design;
FIG. 2 is a right side view of FIG. 1;
FIG. 3 is a left side view of FIG. 1;
FIG. 4 is a front view of FIG. 1;
FIG. 5 is a rearside view of FIG. 1;
FIG. 6 is a top view of FIG. 1;
FIG. 7 is a bottom view of FIG. 1; and,
FIG. 8 is a front perspective view of the pen clip in use.
The broken lines illustrate environment and form no part of the claimed design.

1 Claim, 4 Drawing Sheets



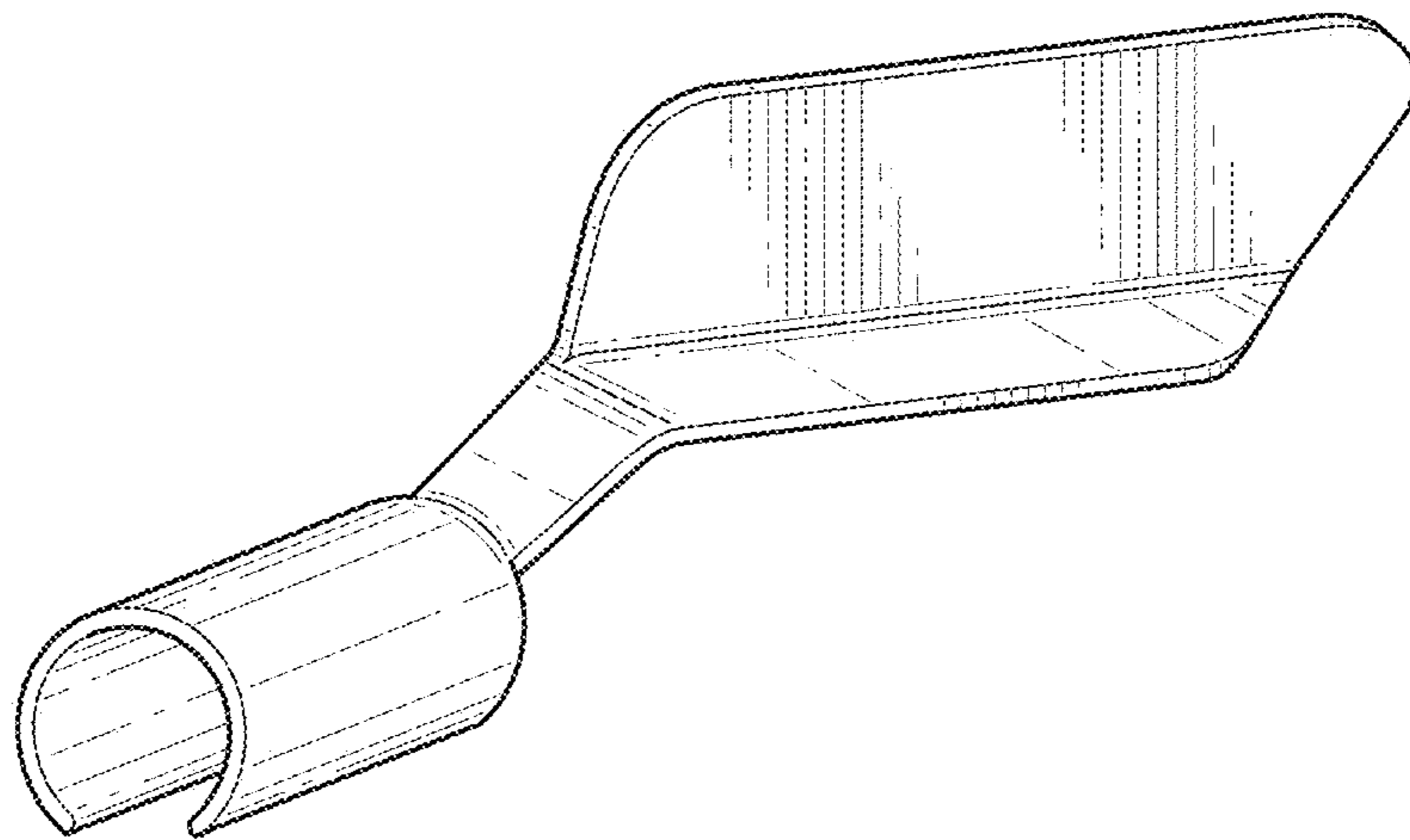


FIG. 1

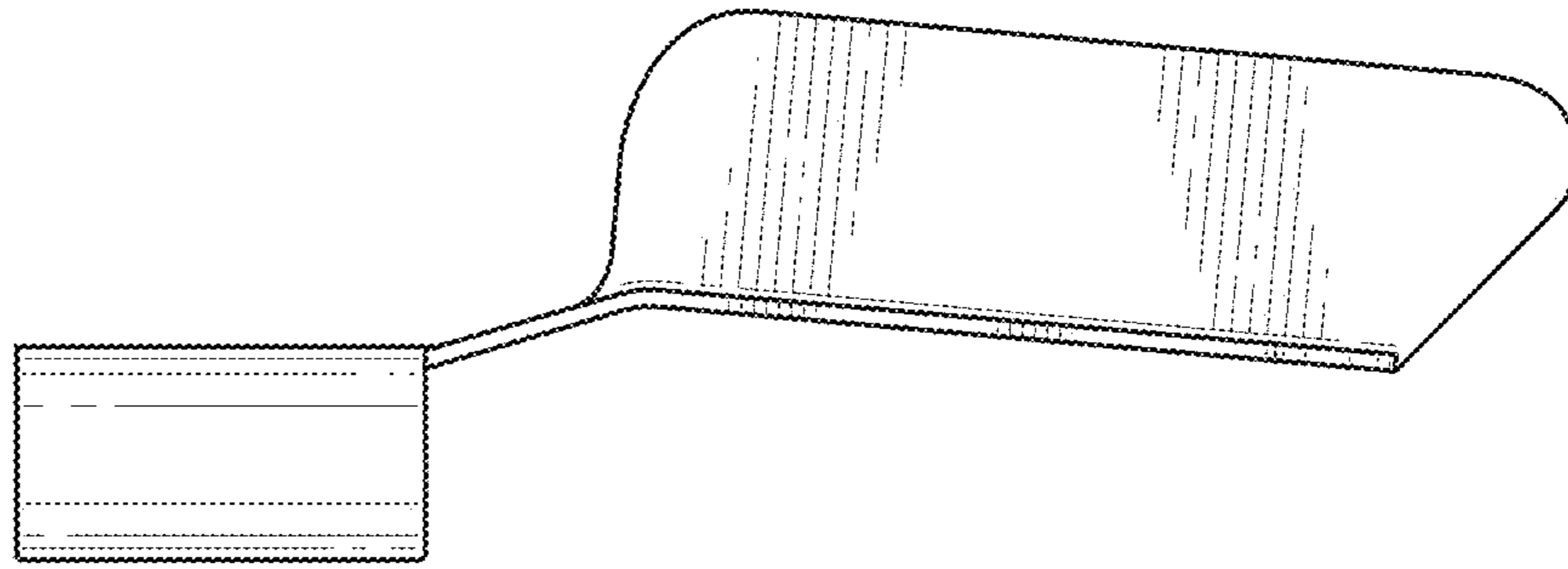


FIG. 2

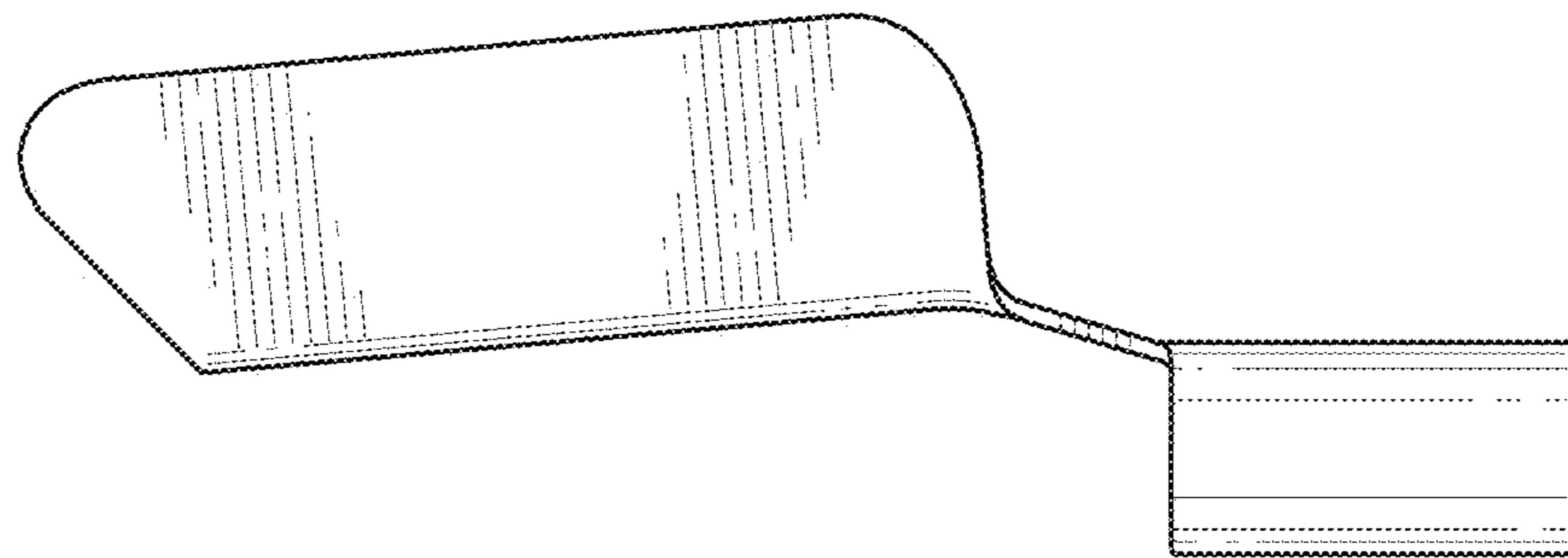


FIG. 3

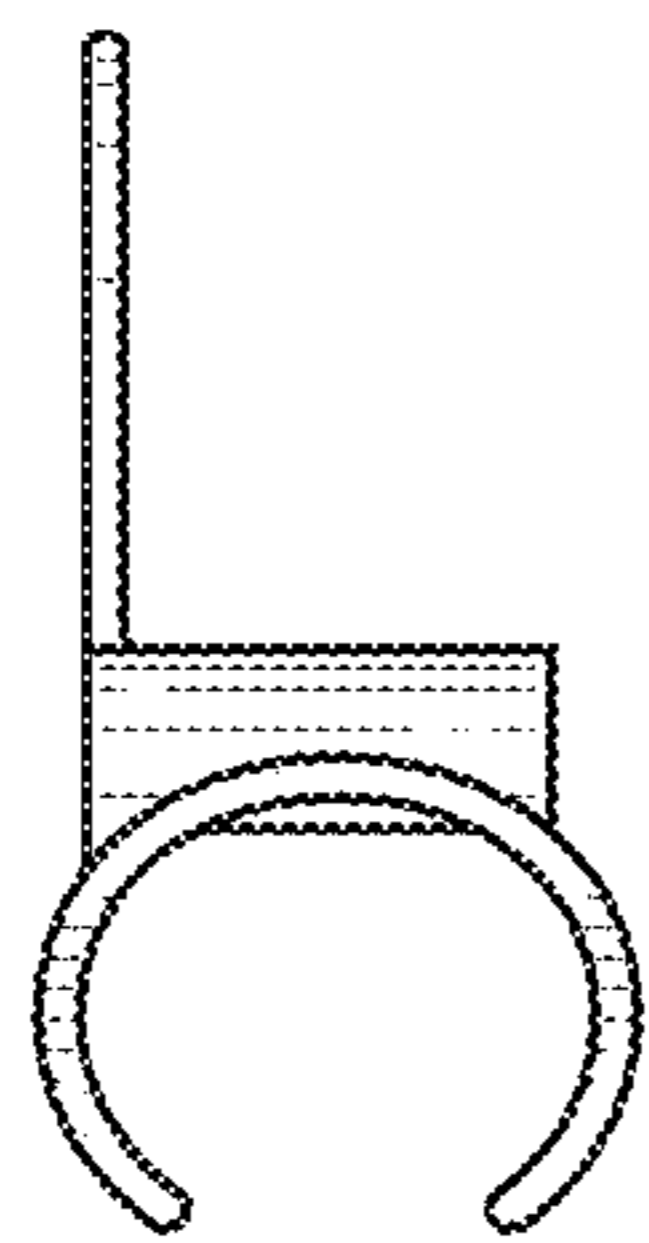


FIG. 4

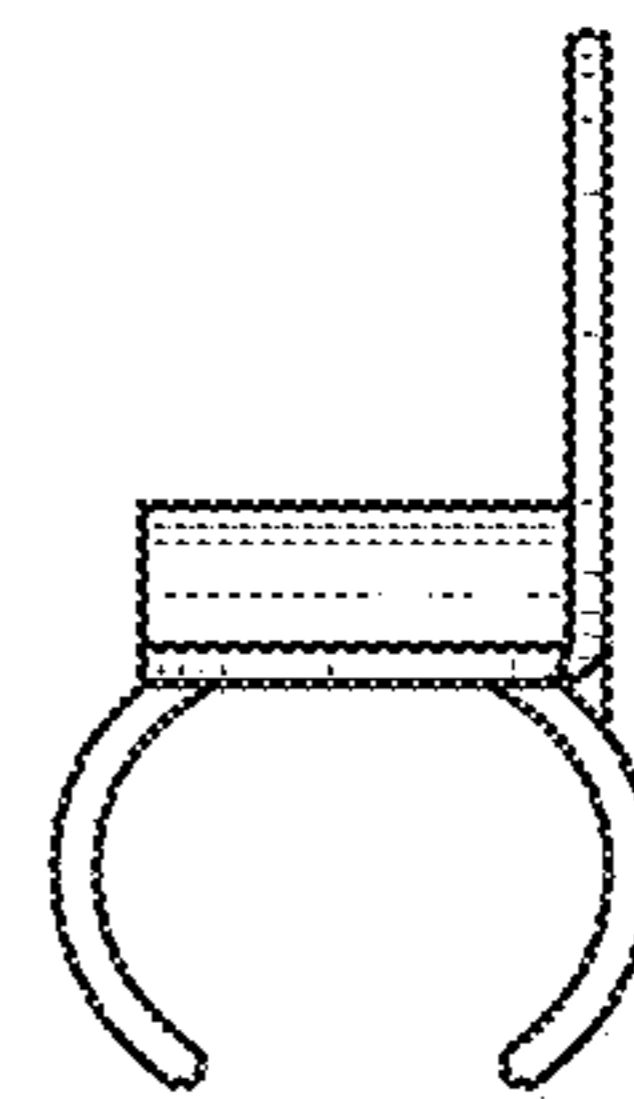


FIG. 5

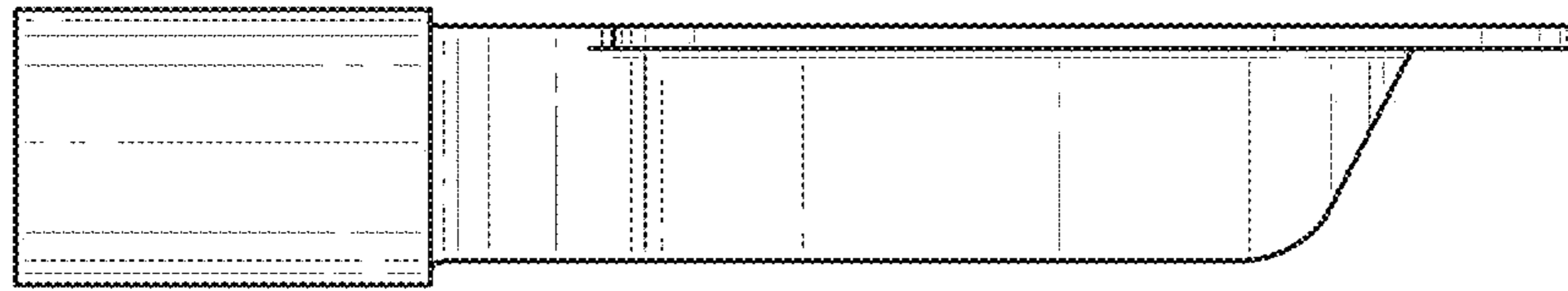


FIG. 6

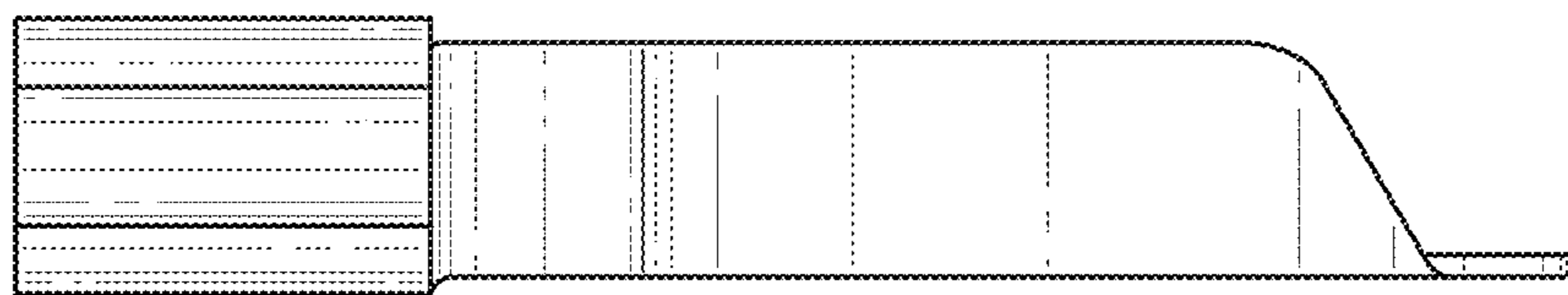


FIG. 7

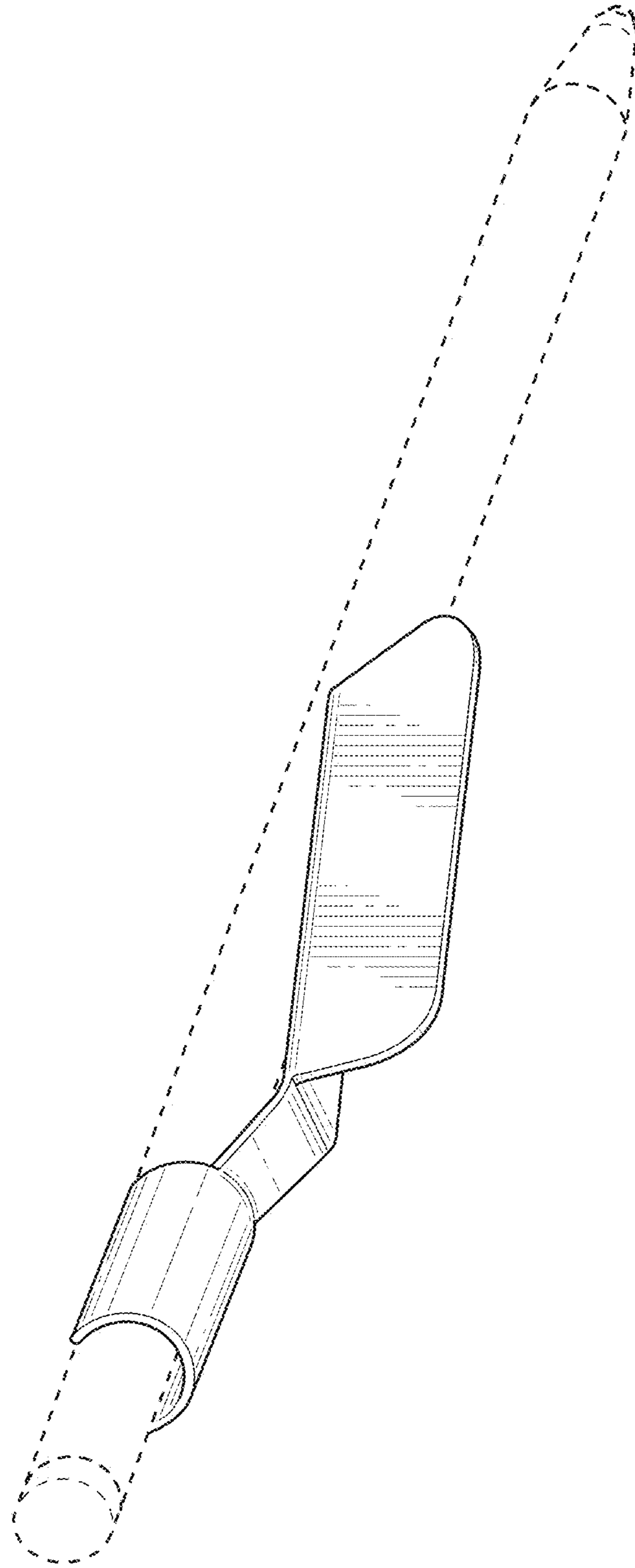


FIG. 8