



US00D975778S

(12) **United States Design Patent** (10) **Patent No.:** **US D975,778 S**
Liu et al. (45) **Date of Patent:** **** Jan. 17, 2023**

(54) **FIREPROOF HANGING FILE FOLDER**

FOREIGN PATENT DOCUMENTS

(71) Applicant: **Shenzhen Yihuaxing Technology Co., Ltd.**, Shenzhen (CN)

CN 304651710 * 5/2018
CN 304651711 * 5/2018

(Continued)

(72) Inventors: **Yuming Liu**, Lianyuan (CN); **Xuyang He**, Lianyuan (CN)

OTHER PUBLICATIONS

(**) Term: **15 Years**

Amazon. Link: https://www.amazon.com/Fireproof-Document-Capacity-Waterproof-Protector/dp/B09161WKKY/ref=sr_1_1?crd=2W1YEOFFPMNV1&keywords=B09161WKKY&qid=1658328585&s=office-products&sprefix=b09161wkky%2Coffice-products%2C69&sr=1-1. Mar. 26, 2021. Homiar Fireproof Document Bags, Xlarge. (Year: 2021).*

(21) Appl. No.: **29/802,798**

(22) Filed: **Aug. 9, 2021**

(51) **LOC (14) Cl.** **19-02**

(52) **U.S. Cl.**

USPC **D19/86**

(58) **Field of Classification Search**

USPC D19/26-33, 86, 90, 91, 99

CPC B42F 7/00; B42F 7/02; B42F 7/145; B42F 15/007; B42F 15/0035; B42F 15/0052; B42F 15/0058; B42F 15/0094; B42P 2241/10; B42P 2241/12; B42P 2241/14; B42P 2241/20

See application file for complete search history.

(Continued)

Primary Examiner — Lauren D McVey

(74) *Attorney, Agent, or Firm* — Rumit Ranjit Kanakia

(57)

CLAIM

The ornamental design for a fireproof hanging file folder, as shown and described.

DESCRIPTION

(56) **References Cited**

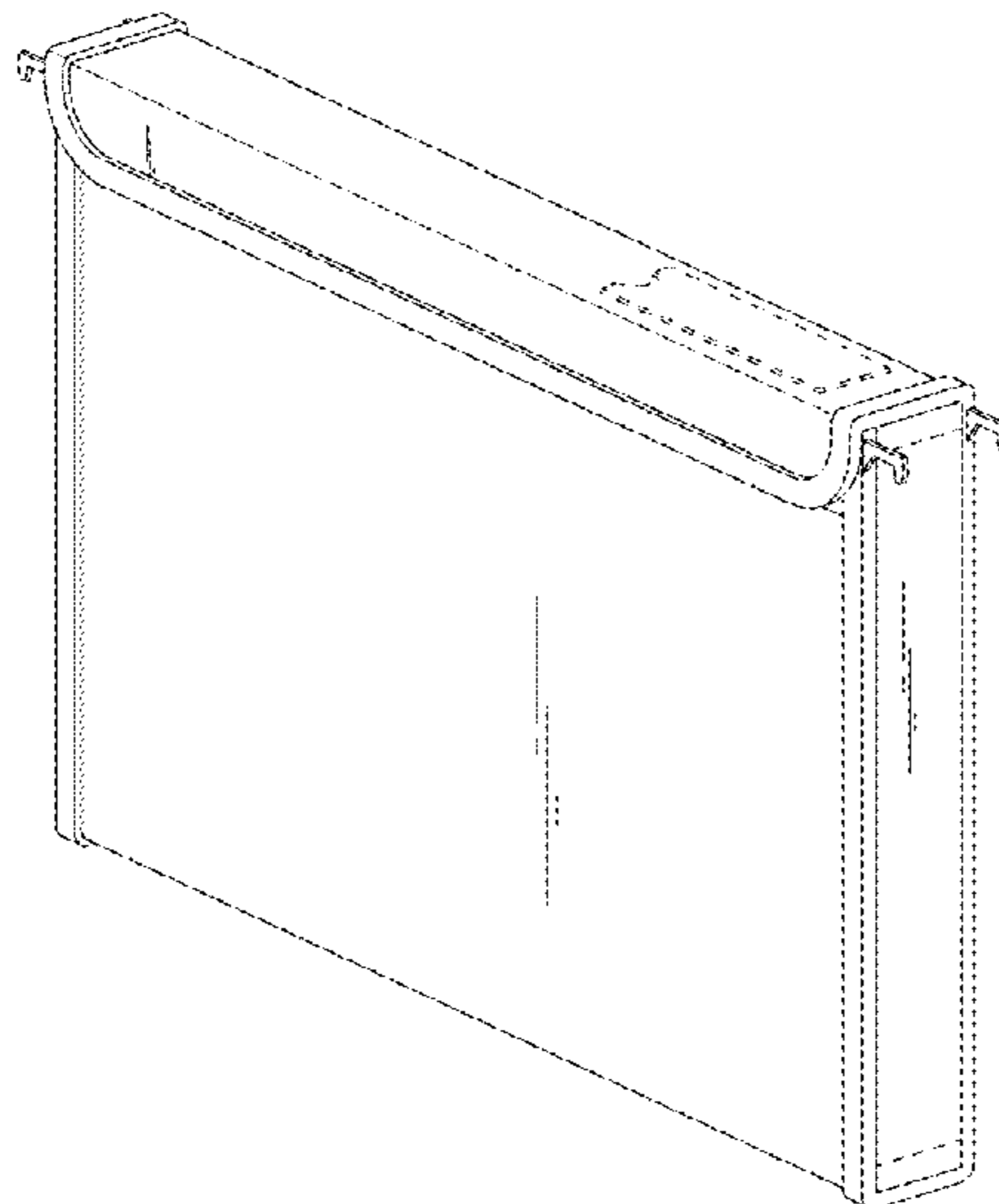
U.S. PATENT DOCUMENTS

D135,892 S * 6/1943 Rouner D19/91
D210,267 S * 2/1968 Rockwell D19/27
D405,254 S * 2/1999 Hopper D19/29
D407,441 S * 3/1999 Greenberg D19/86
6,394,497 B1 * 5/2002 Ho B42F 7/06
229/84
7,147,142 B1 * 12/2006 Chang A45C 13/1038
229/67.3
7,252,452 B2 * 8/2007 Africa B42F 13/0006
281/31
7,708,141 B1 * 5/2010 Huang B42F 7/06
383/14
D690,352 S 9/2013 Bowman et al.
D690,353 S 9/2013 Bowman et al.
D865,058 S 10/2019 DeCarlo et al.

(Continued)

FIG. 1 is a perspective view of a fireproof hanging file folder showing our new design in a fully closed state; FIG. 2 is a another perspective view thereof in a partially open state; FIG. 3 is a top plan view of FIG. 1; FIG. 4 is a left-side elevation view thereof; FIG. 5 is a front view thereof; FIG. 6 is a right-side elevation view thereof; FIG. 7 is a rear elevation view thereof; FIG. 8 is a bottom plan view thereof; FIG. 9 is an elevation view of the fireproof hanging file folder in a flat state; and, FIG. 10 is an opposite side elevation view thereof. The broken lines shown in the drawings depict portions of the fireproof hanging file folder in which the design is embodied that form no part of the claimed design.

1 Claim, 10 Drawing Sheets



(56)

References Cited

U.S. PATENT DOCUMENTS

2006/0060093 A1* 3/2006 Peleman B42F 7/02
101/3.1
2008/0185423 A1* 8/2008 Chou B42F 7/02
229/67.2
2011/0031733 A1* 2/2011 Huang B42F 7/08
281/45
2011/0114710 A1* 5/2011 Ong B42F 21/04
229/67.3
2012/0138666 A1* 6/2012 Ong B42F 7/08
283/37

FOREIGN PATENT DOCUMENTS

CN 307042399 * 12/2021
EP 1074400 A1 * 2/2001 B42F 7/14
FR 2494189 A1 * 5/1982 B42F 7/02
JP D1599769 * 3/2018

OTHER PUBLICATIONS

Amazon. Link: https://www.amazon.com/Trikton-Fireproof-Document-Water-Resistant-Briefcase/dp/B07JXYD69Z/ref=sr_1_1?crid=3P6CH7Y37NBQQ&keywords=B07JXYD69Z&qid=1658328694&s=office-products&sprefix=b07jxyd69z%2Coffice-products%2C70&sr=1-1. Nov. 18, 2018. TRIKTON X-Large 16x12x3.5, Fireproof Document (Year: 2018).*

* cited by examiner

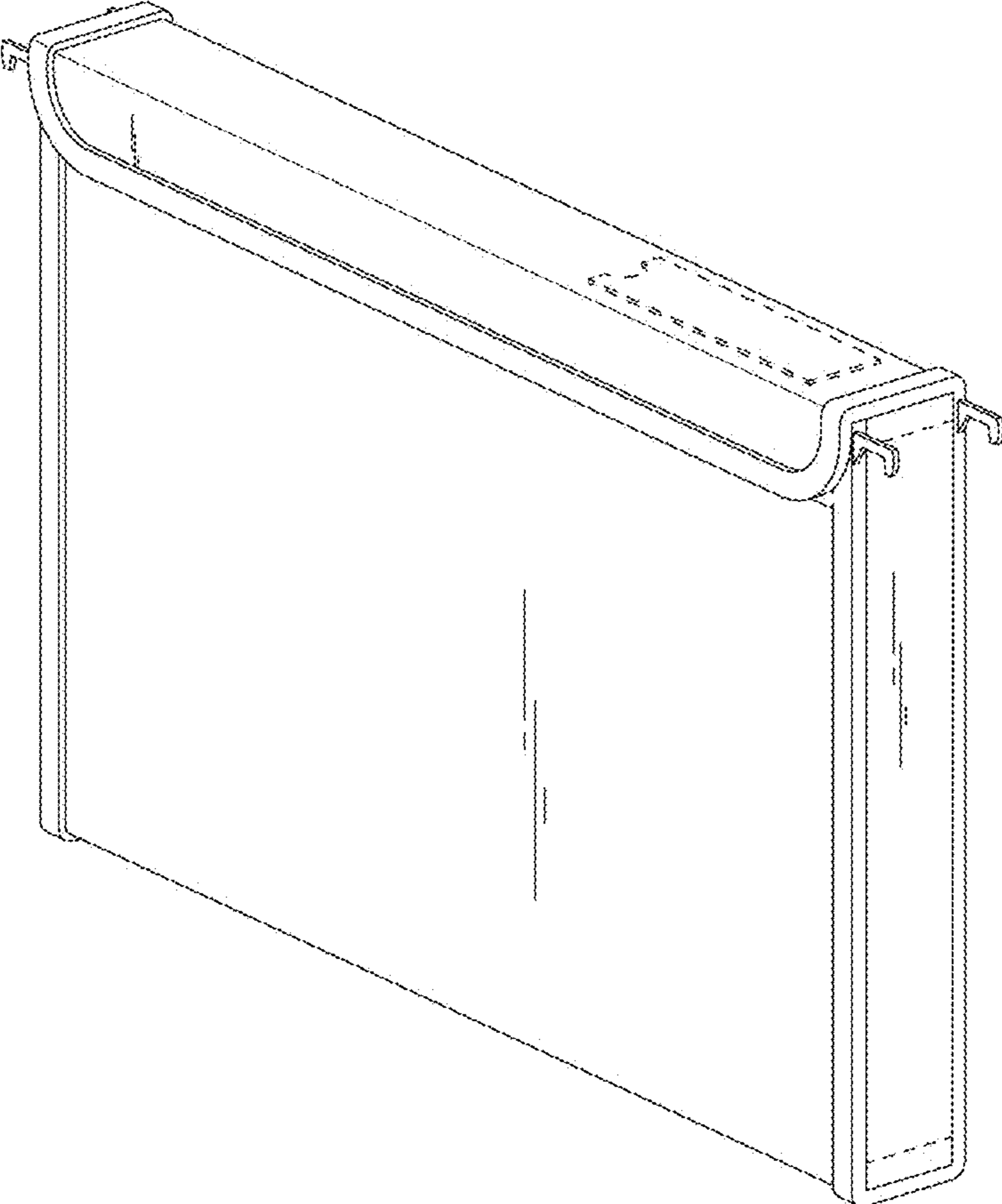


FIG.1

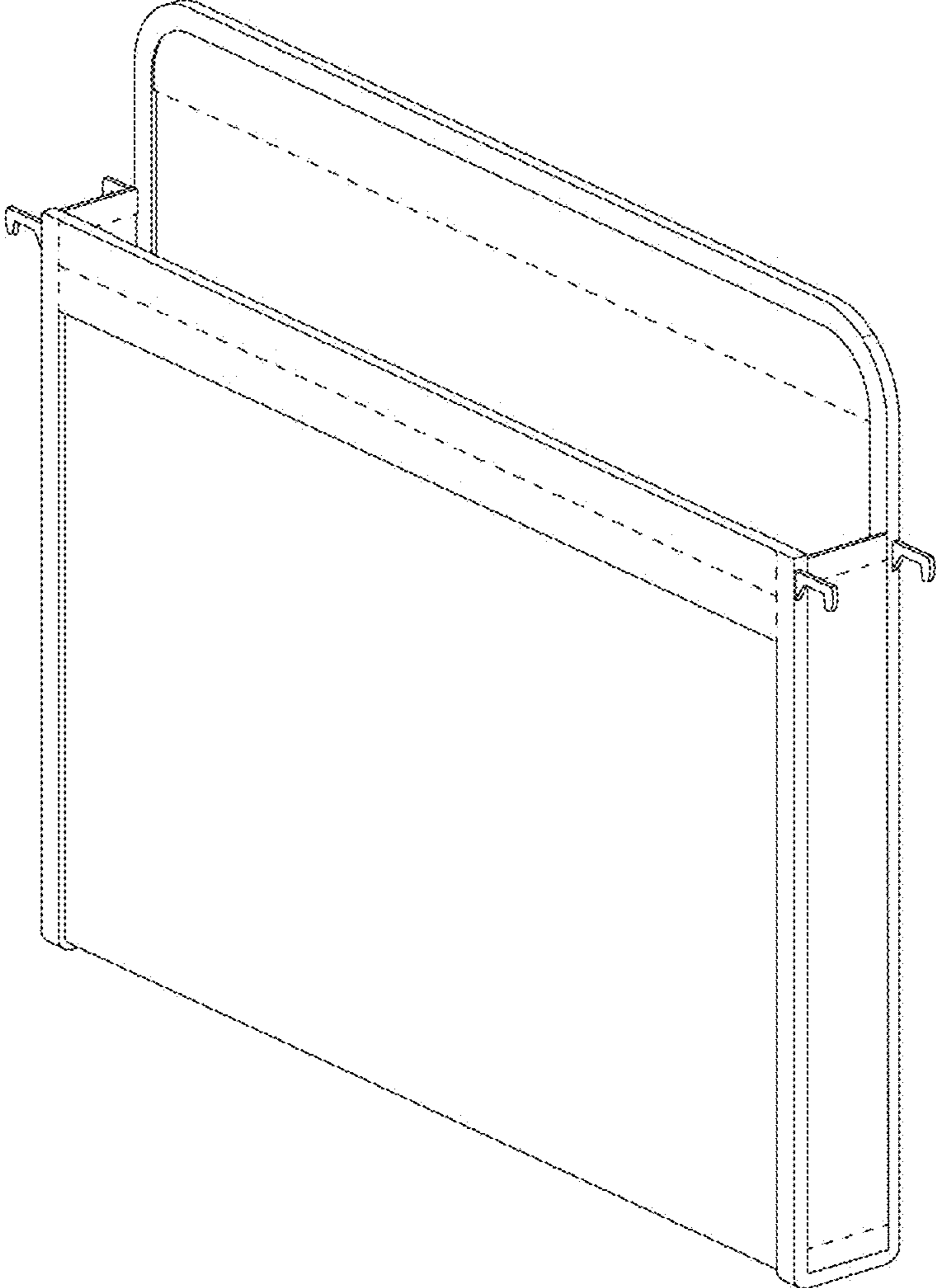


FIG. 2

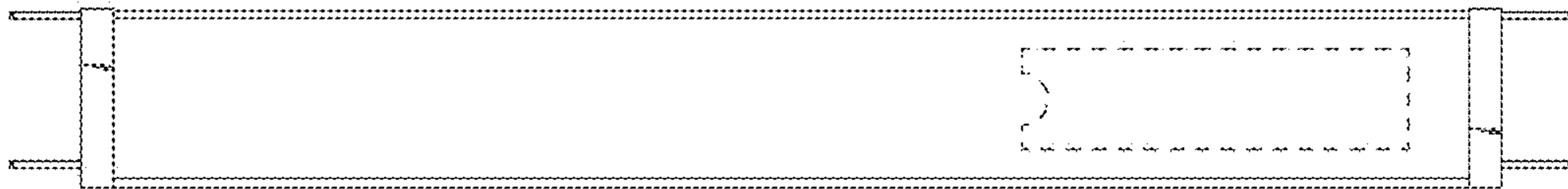


FIG.3

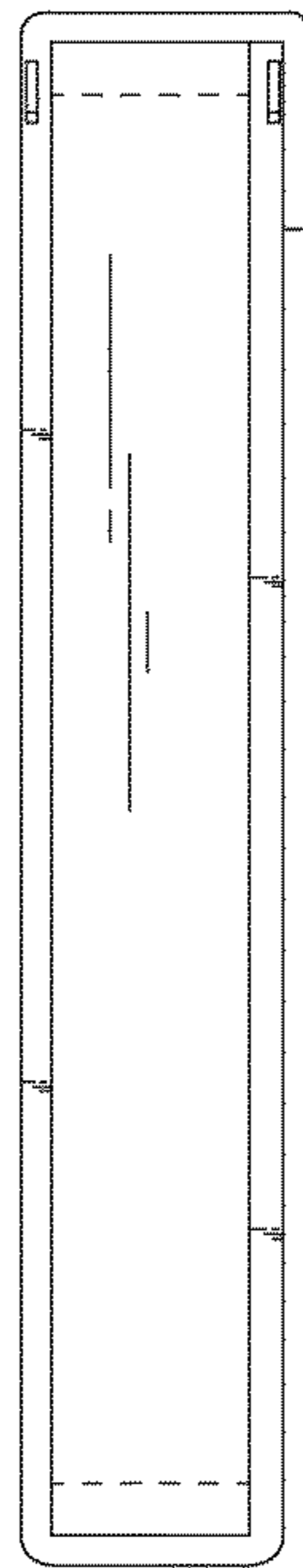


FIG.4

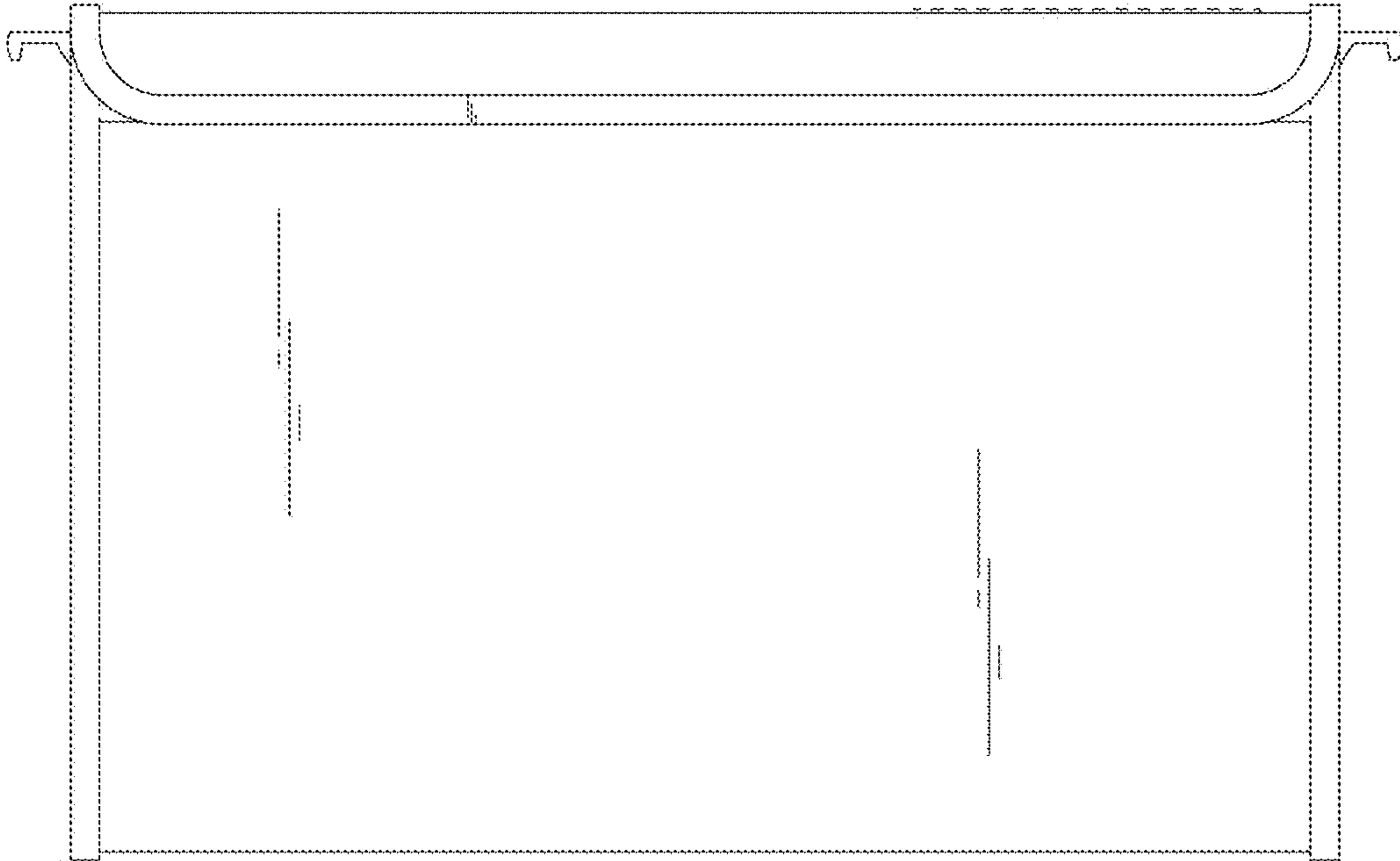


FIG. 5

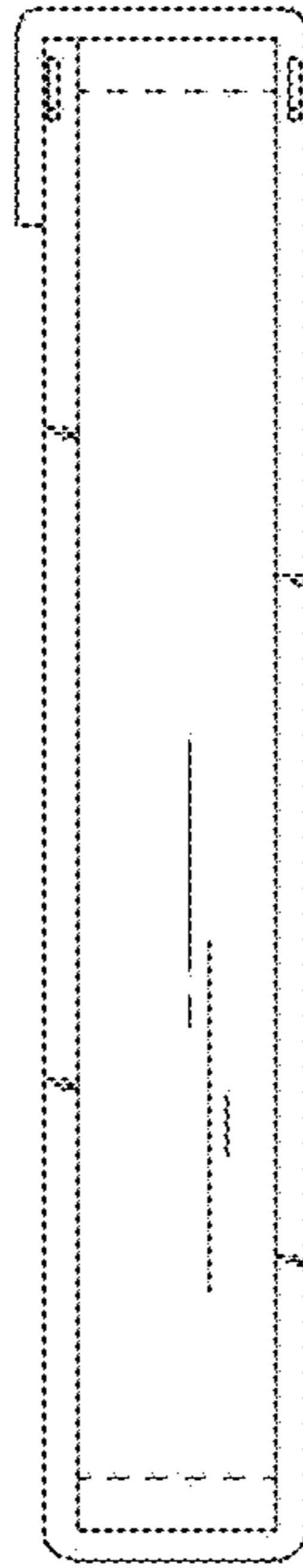


FIG.6

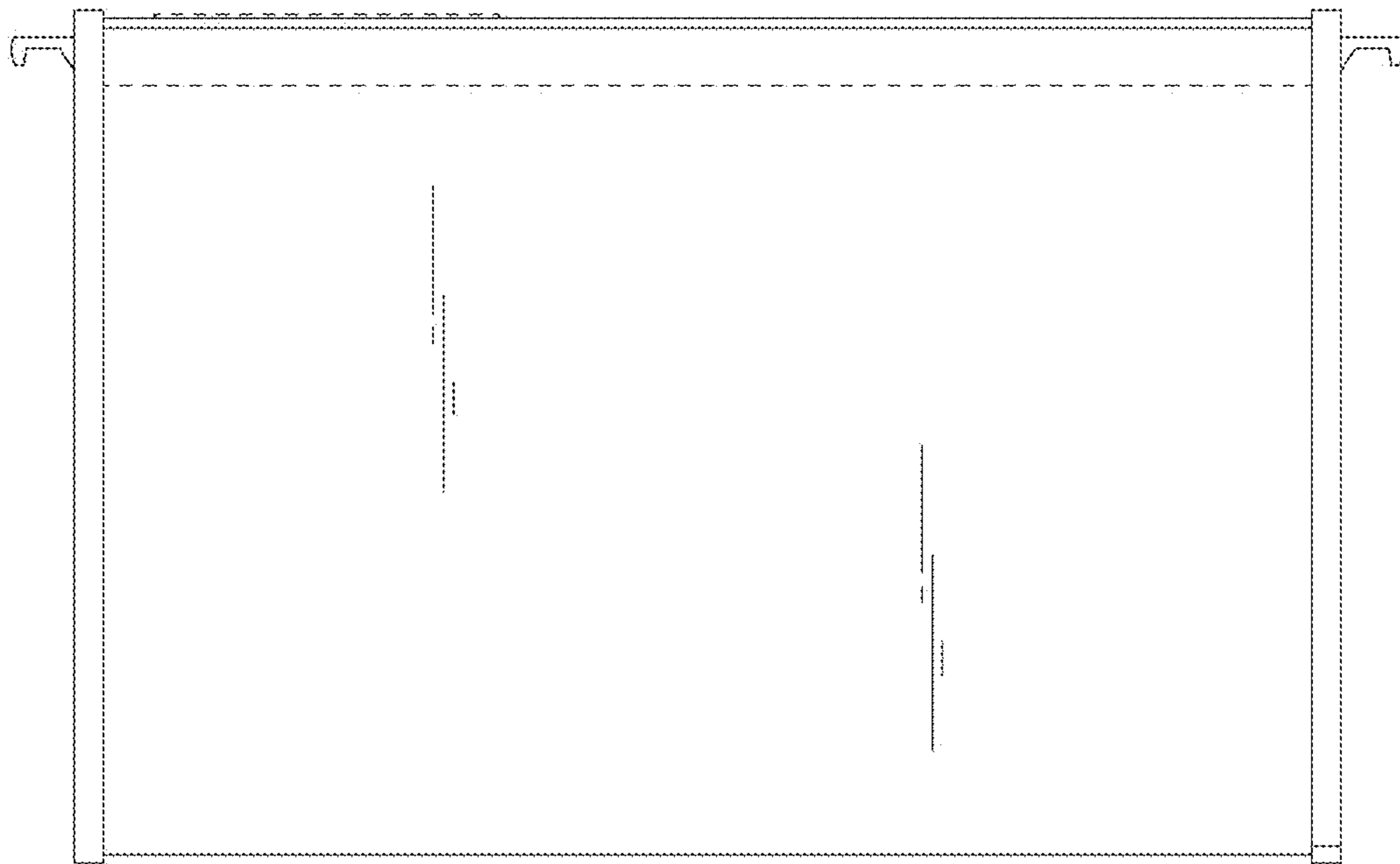


FIG. 7

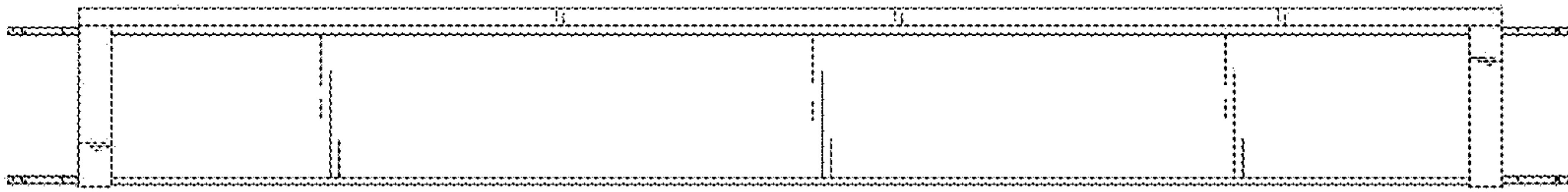


FIG. 8

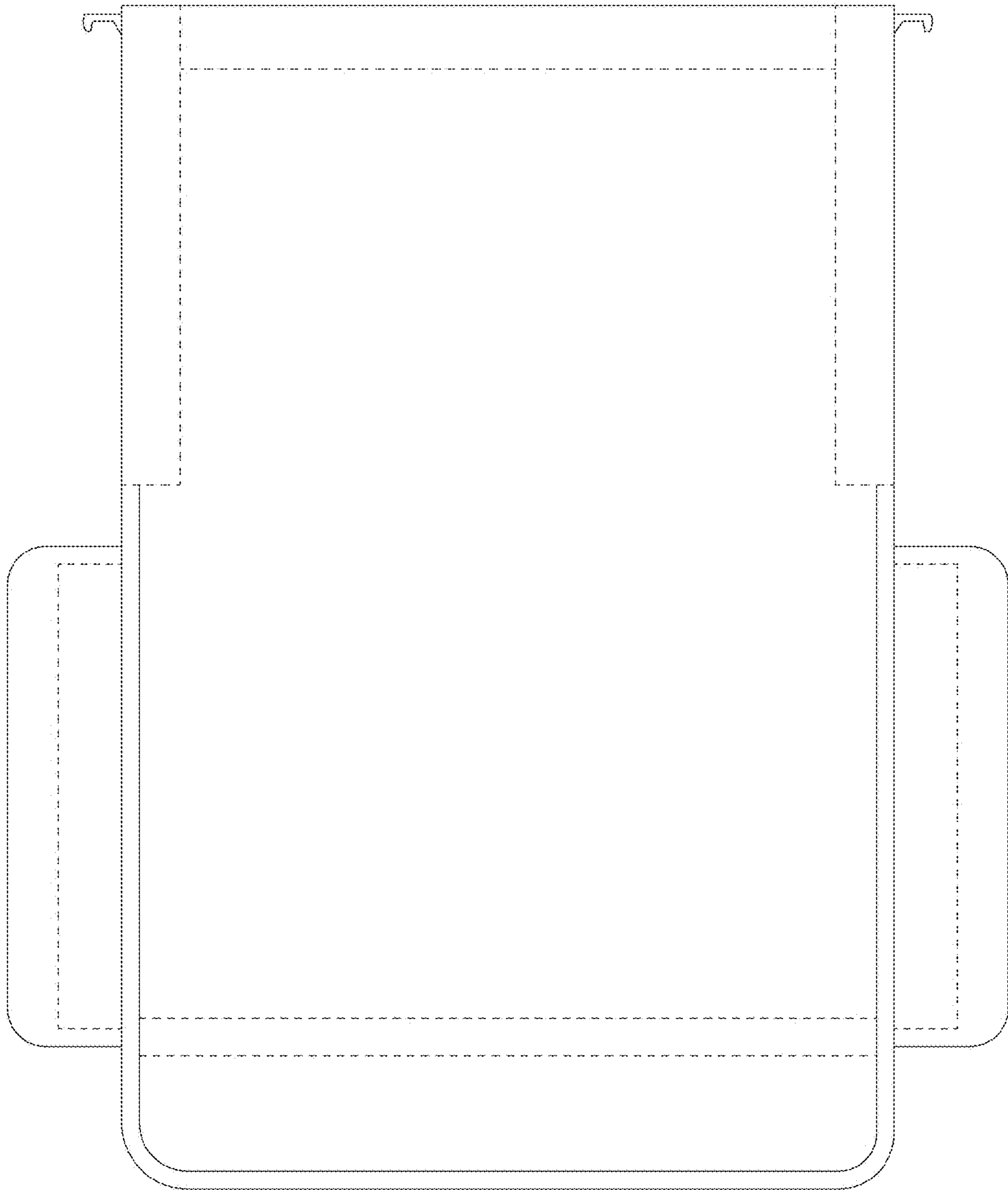


FIG. 9

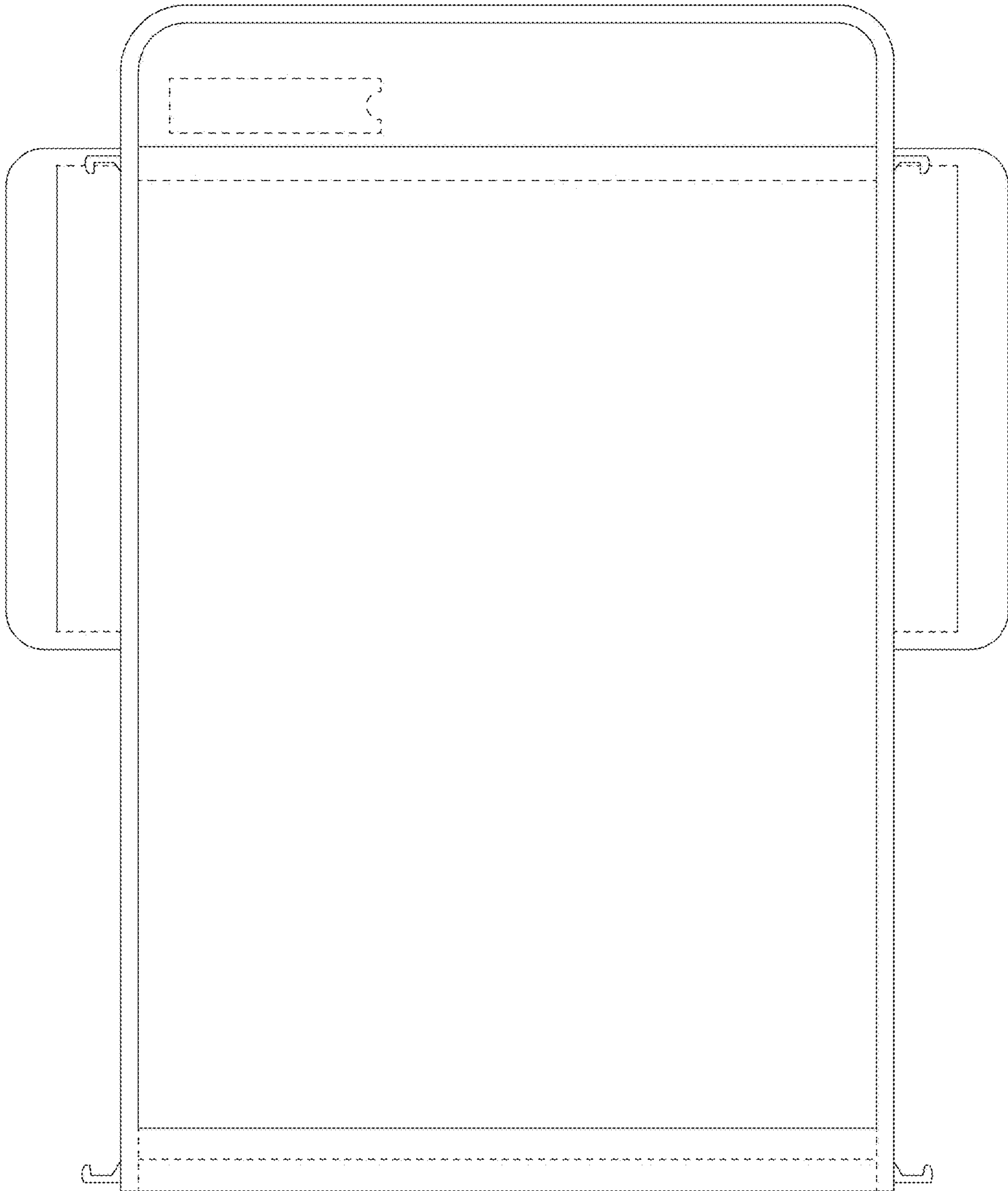


FIG.10