



US00D975773S

(12) **United States Design Patent**
Chen

(10) **Patent No.:** **US D975,773 S**

(45) **Date of Patent:** **** Jan. 17, 2023**

(54) **ELECTRONIC DRUM**

(71) Applicant: **Guangzhou Rantion Technology Co., Ltd**, Guangdong (CN)

(72) Inventor: **Sheng Chen**, Guangdong (CN)

(**) Term: **15 Years**

(21) Appl. No.: **29/838,860**

(22) Filed: **May 16, 2022**

(51) **LOC (14) Cl.** **17-04**

(52) **U.S. Cl.**

USPC **D17/22**

(58) **Field of Classification Search**

USPC D17/22, 99; D21/405

CPC G10D 13/00; G10D 13/01; G10D 13/02;

G10D 13/03; G10D 13/063; G10D

13/065; G10D 13/08; G10D 13/10; G10D

13/14; G10D 13/20; G10D 99/00

See application file for complete search history.

(56) **References Cited**

U.S. PATENT DOCUMENTS

D319,650 S *	9/1991	Hart	84/411 P
D357,271 S *	4/1995	Hoshina	D17/22
D401,612 S *	11/1998	Takei	D17/22
D412,540 S *	8/1999	Chen	D21/405
D454,906 S *	3/2002	Senda	D17/22
D472,587 S *	4/2003	Chan	D21/405
D521,049 S *	5/2006	Aluisi	D17/22
D559,889 S *	1/2008	Nakao	D17/22
D561,239 S *	2/2008	Nakao	D17/22

D569,896 S * 5/2008 Bergese D17/22

D607,922 S 1/2010 Sato

D607,945 S * 1/2010 Guinchard D21/324

D681,716 S * 5/2013 Izen D17/22

* cited by examiner

Primary Examiner — R. Johnson

(57) **CLAIM**

The ornamental design for an electronic drum, as shown and described.

DESCRIPTION

FIG. 1 is a front and top perspective view of an electronic drum, showing my new design;

FIG. 2 is a rear and bottom perspective view thereof;

FIG. 3 is a front elevation view thereof;

FIG. 4 is a rear elevation view thereof;

FIG. 5 is a left side elevation view thereof;

FIG. 6 is a right side elevation view thereof;

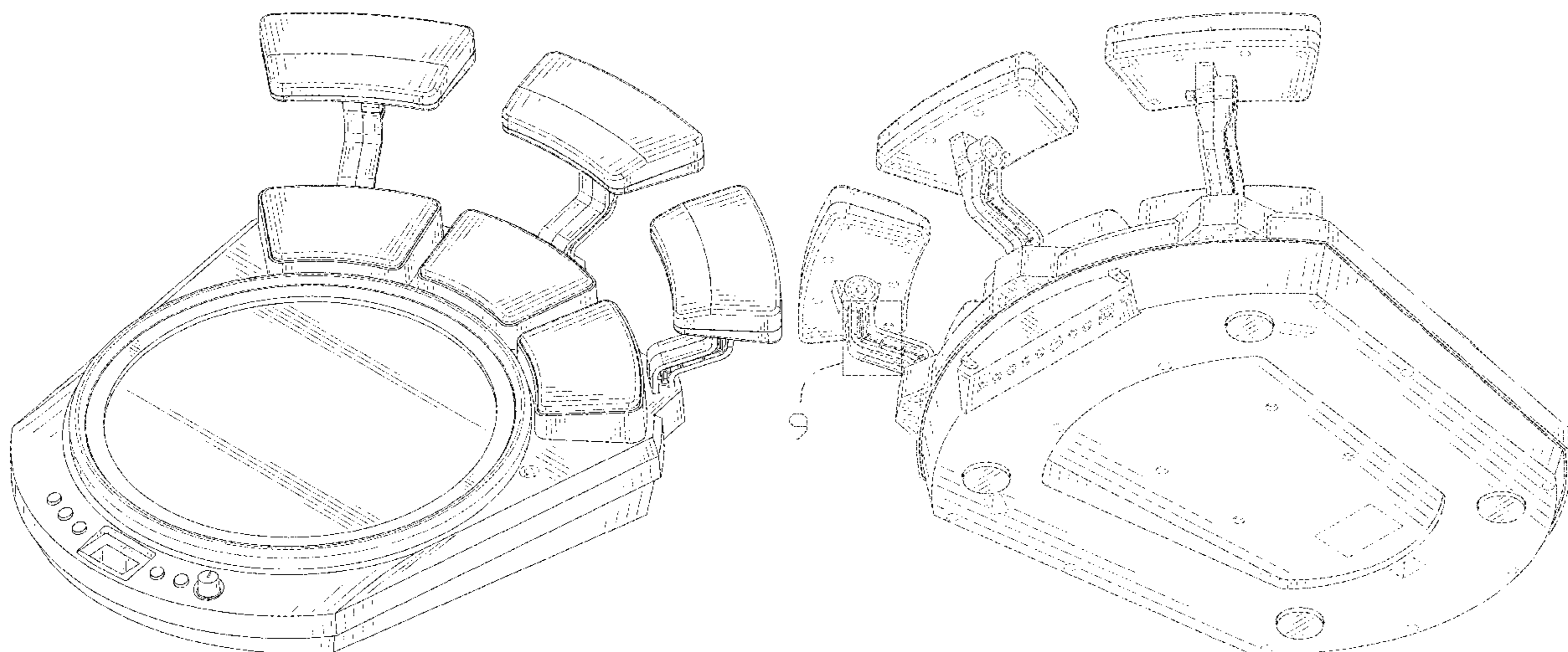
FIG. 7 is a top plan view thereof;

FIG. 8 is a bottom plan view thereof; and,

FIG. 9 is an enlarged view of a portion indicated with numeric 9 in FIG. 2.

The broken lines in the figures illustrate portions of the electronic drum that form no part of the claimed design. The dash dot dash lines in FIGS. 2 and 9 are for the purpose of depicting the boundary lines of the enlarged view and form no part of the claimed design.

1 Claim, 9 Drawing Sheets



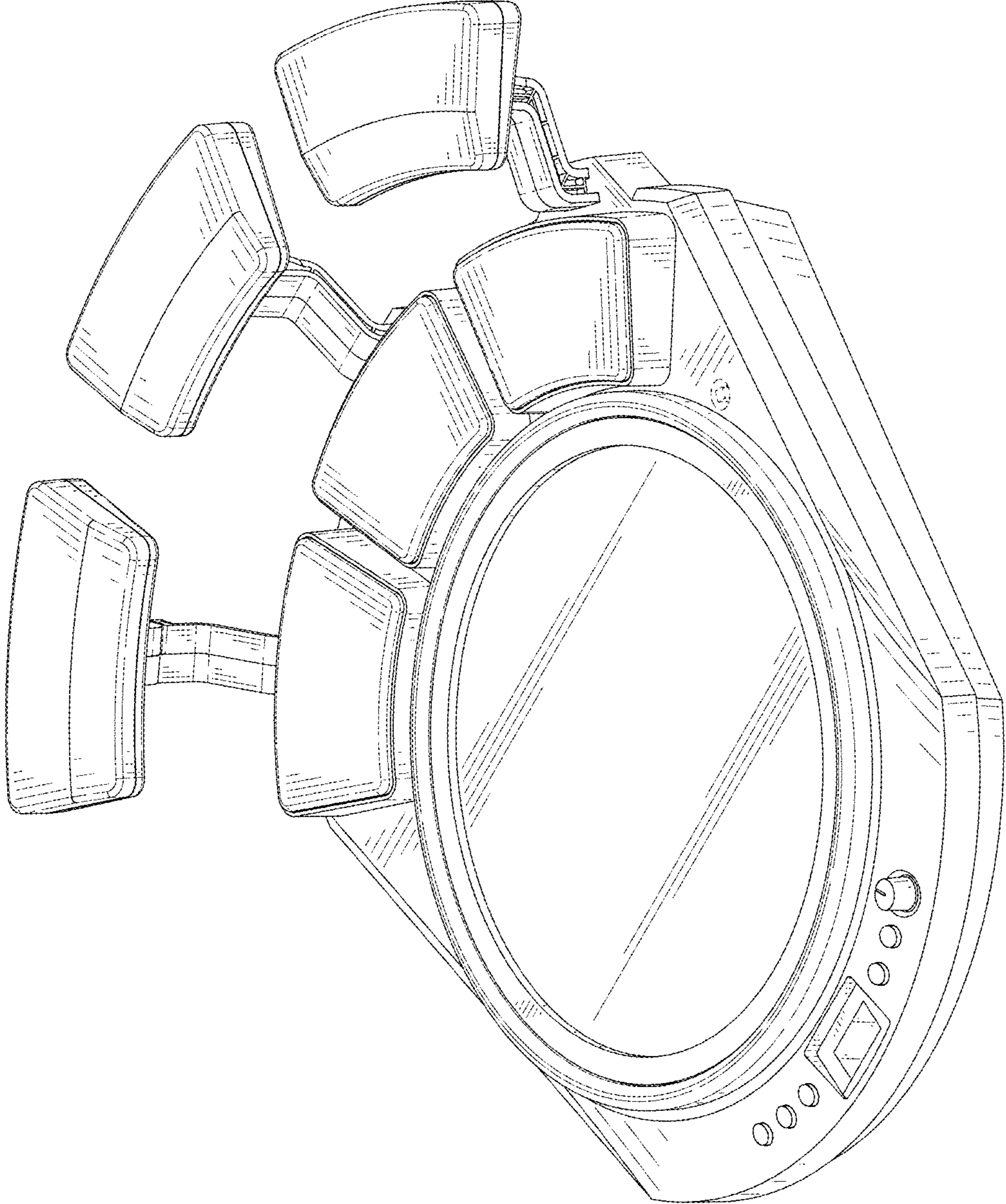


FIG. 1

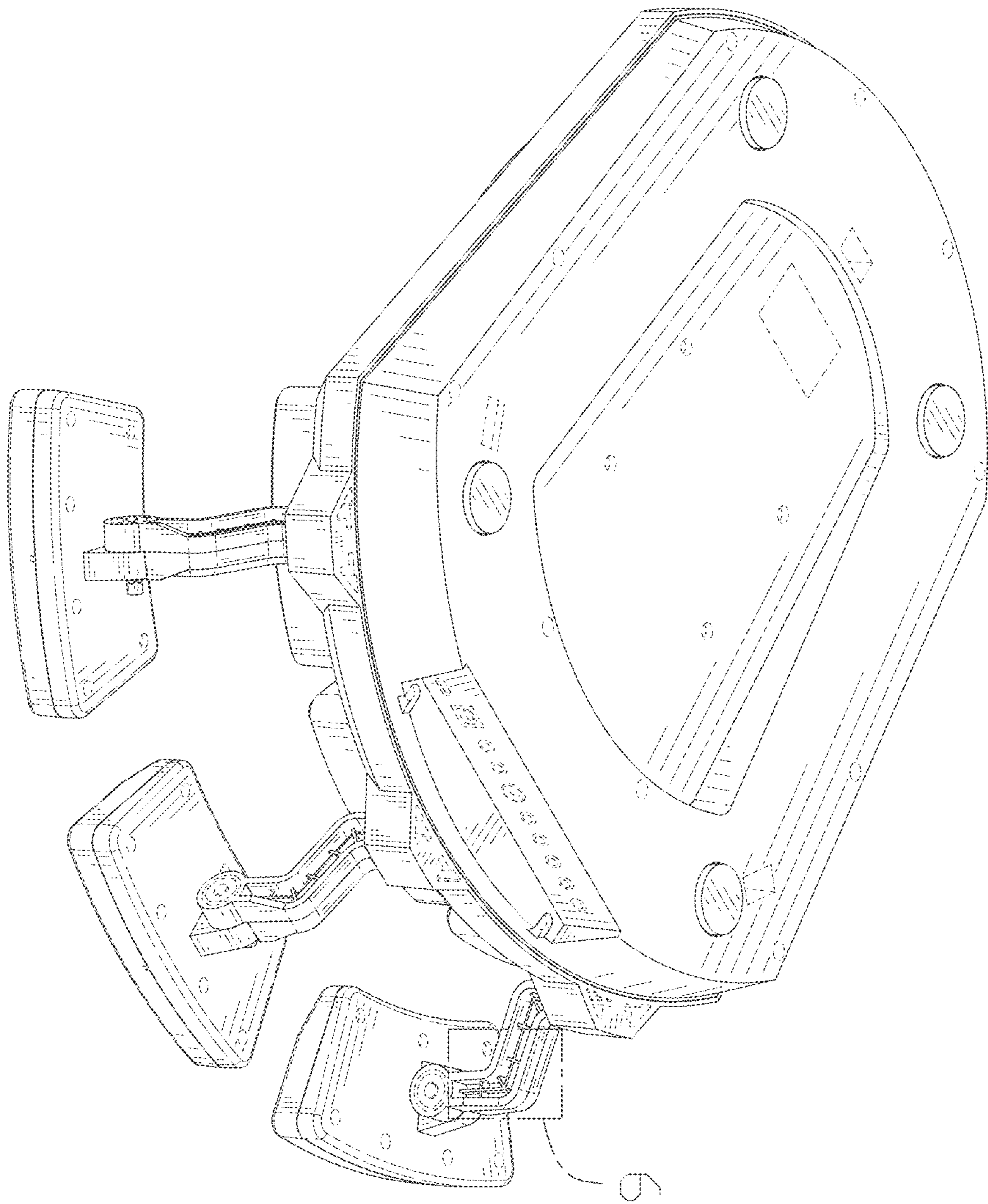


FIG. 2

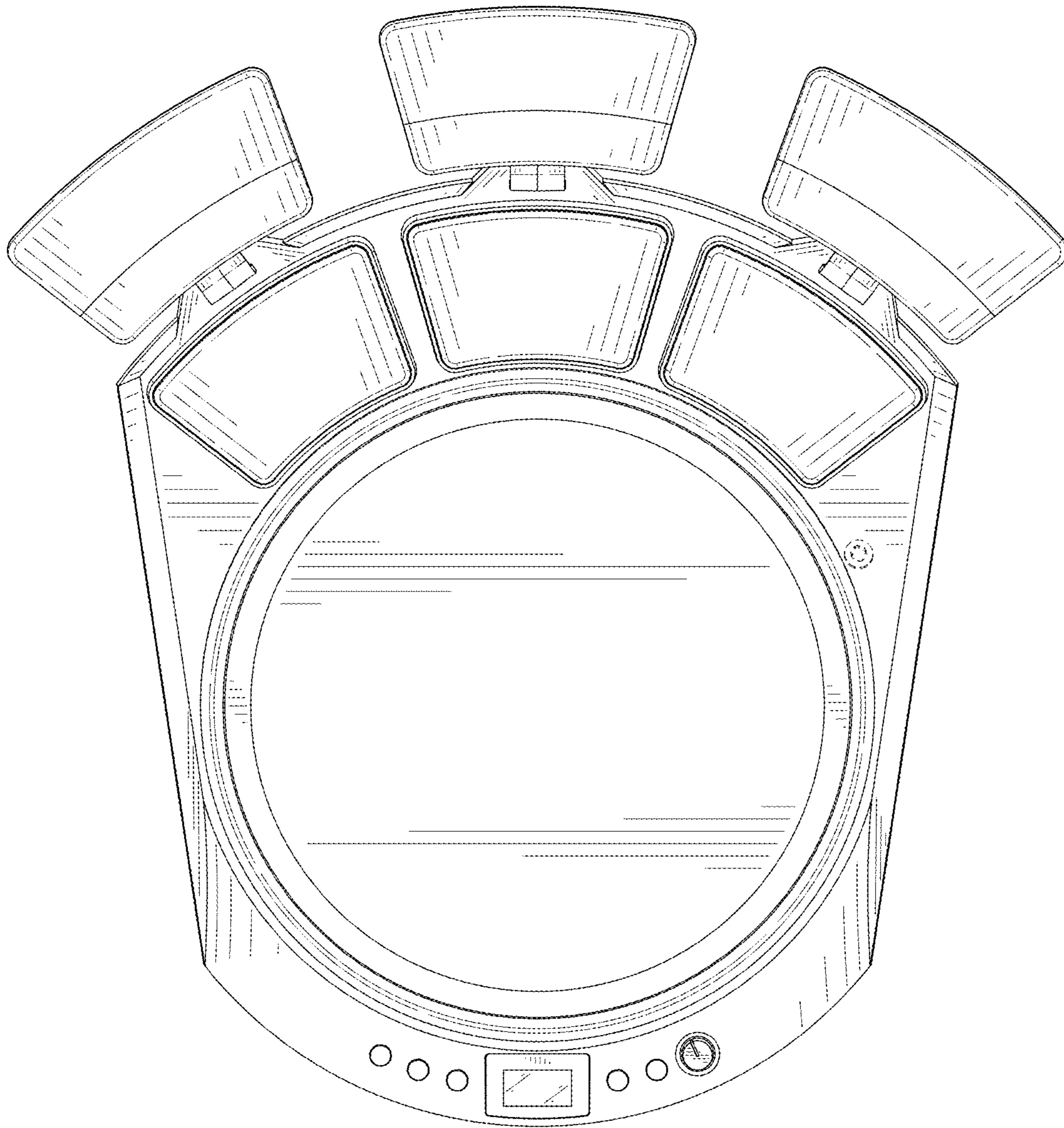


FIG. 3

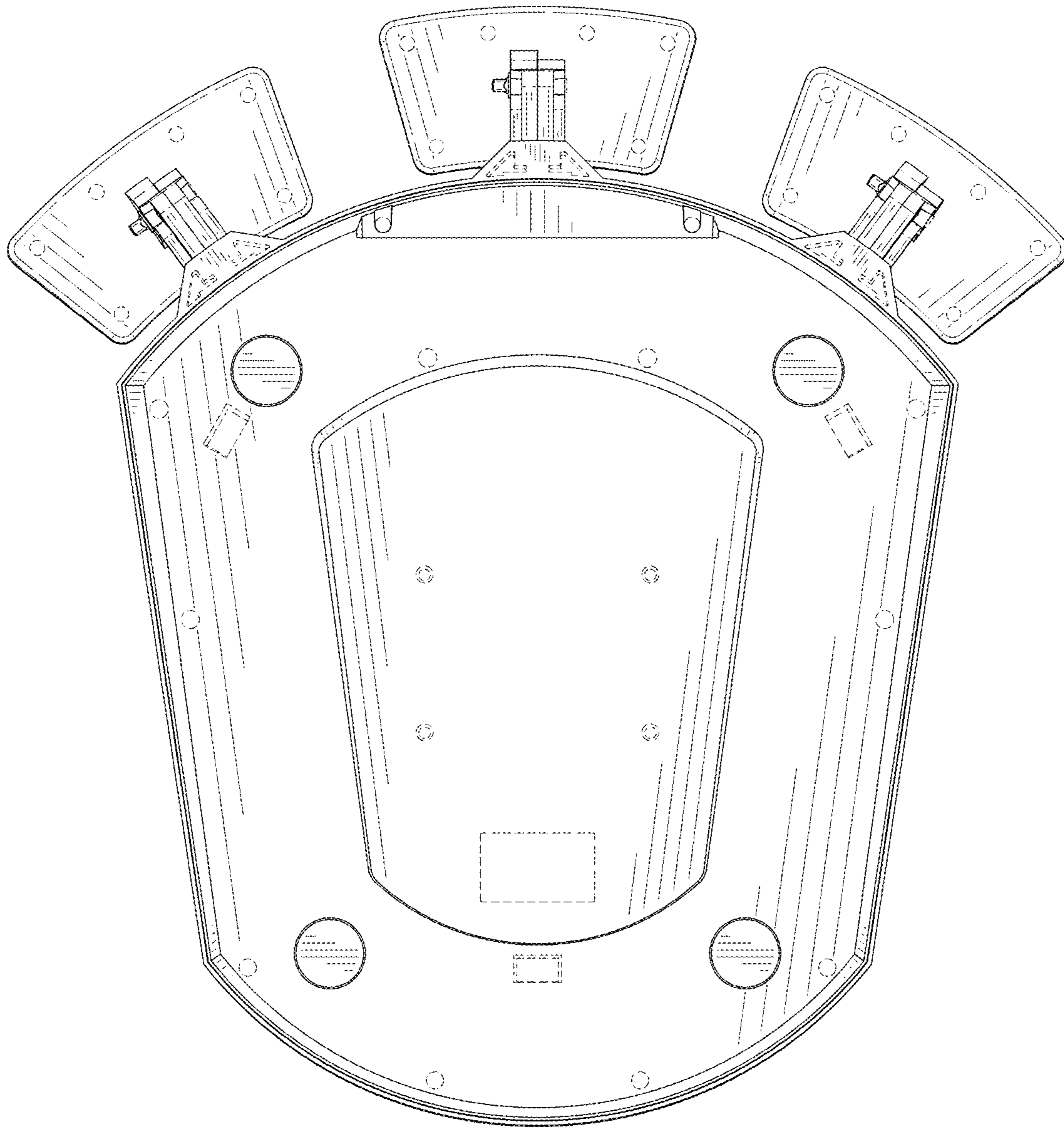


FIG. 4

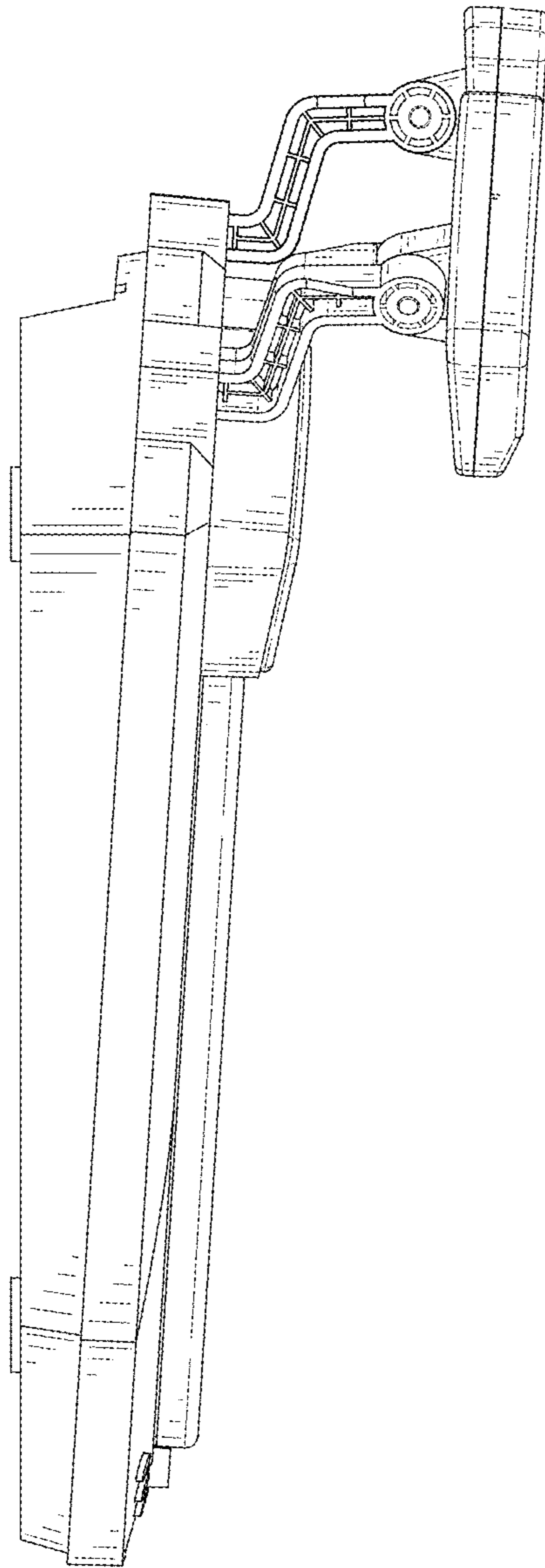


FIG. 5

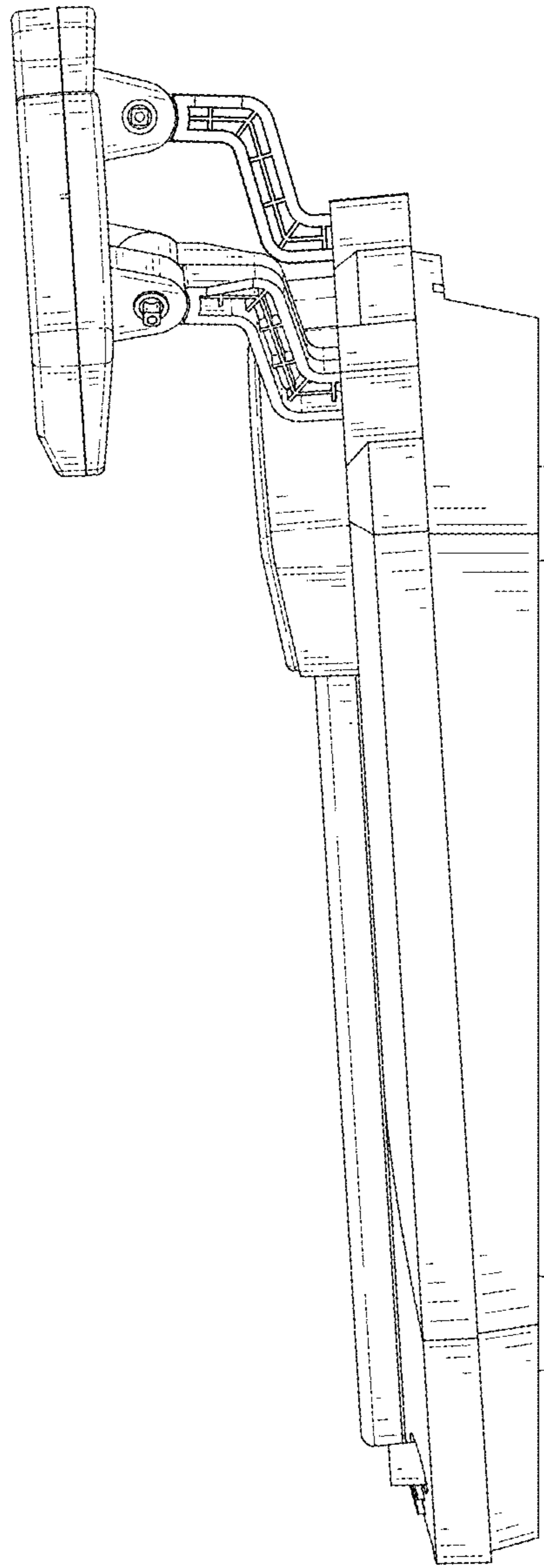


FIG. 6

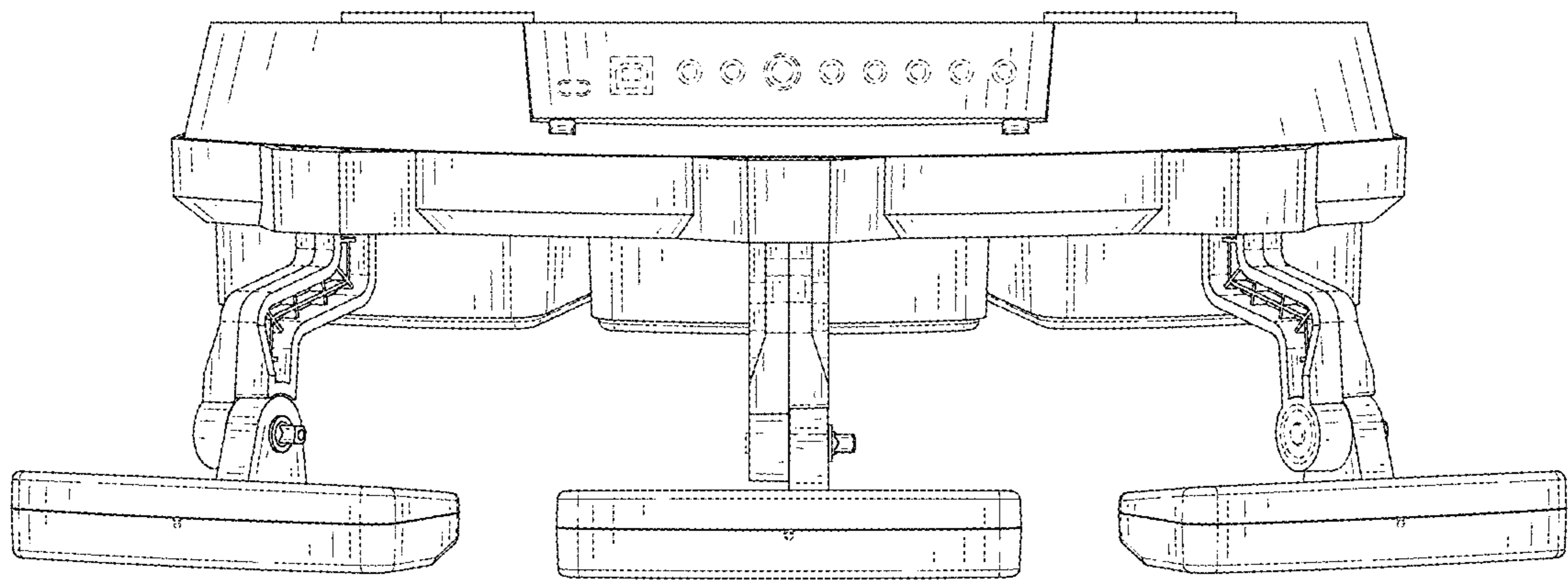


FIG. 7

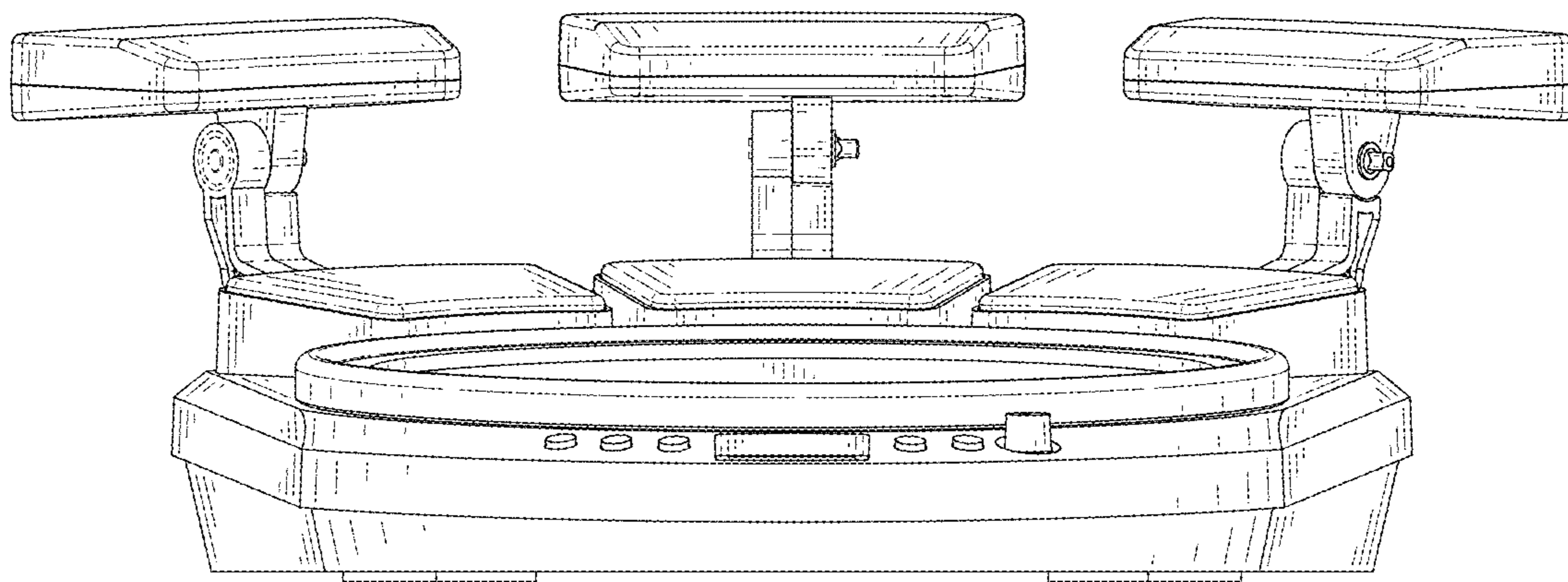


FIG. 8

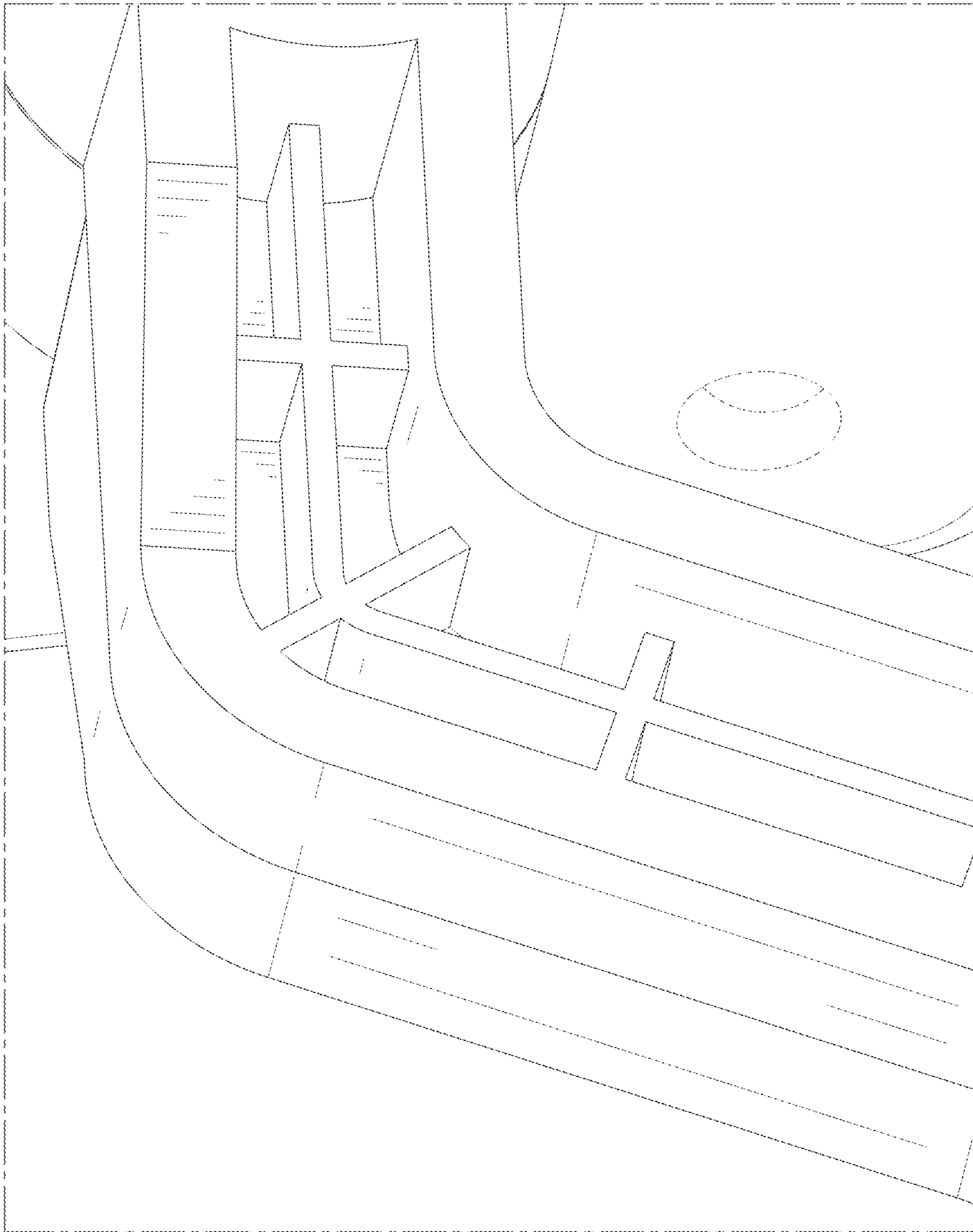


FIG. 9