



US00D975770S

(12) **United States Design Patent**
Park et al.

(10) **Patent No.:** **US D975,770 S**
(45) **Date of Patent:** **** Jan. 17, 2023**

(54) **SURVEILLANCE CAMERA**

(71) Applicant: **HANWHA TECHWIN CO., LTD.**,
Seongnam-si (KR)

(72) Inventors: **Ho Jin Park**, Seongnam-si (KR); **Mun Jun Park**, Seongnam-si (KR)

(73) Assignee: **HANWHA TECHWIN CO., LTD.**,
Suwon-si (KR)

(**) Term: **15 Years**

(21) Appl. No.: **29/755,417**

(22) Filed: **Oct. 20, 2020**

(30) **Foreign Application Priority Data**

Apr. 21, 2020 (KR) 30-2020-0017549

(51) **LOC (14) Cl.** **16-01**

(52) **U.S. Cl.**
USPC **D16/203**

(58) **Field of Classification Search**
USPC D16/200–203, 207–208, 213–214,
D16/218–219; D10/46, 61, 104.1, 106.6,
D10/106.7, 109.2; D14/203.1, 204,
D14/209.1, 317, 474, 496

CPC G03B 17/00; G03B 17/02; G03B 2217/00;
H04N 5/2251; H04N 5/2252

See application file for complete search history.

(56) **References Cited**

U.S. PATENT DOCUMENTS

D753,752 S * 4/2016 Ahman D16/203
D782,557 S * 3/2017 Ahman D16/203
D849,092 S * 5/2019 Portela D16/203
D881,967 S * 4/2020 Zhang D16/203
D882,664 S * 4/2020 Tang D16/203
D884,052 S * 5/2020 Tang D16/203

D898,096 S * 10/2020 Moon D16/203
D898,097 S * 10/2020 Ravat D16/203
D898,800 S * 10/2020 Zeng D16/203
D902,975 S * 11/2020 Zhong D16/203
D916,165 S * 4/2021 Wang D16/203

(Continued)

FOREIGN PATENT DOCUMENTS

CN 304151582 * 5/2017
KR 301085582.0000 * 12/2020
KR 3011670720001 * 6/2022

OTHER PUBLICATIONS

“Platinum 4MP 25^x Network IR PTZ Camera” from Itsecurityinc.com, first retrieved Jul. 11, 2022 from the internet <<https://www.itsecurityinc.com/ip-camera/ip-ptz/ptzip414nw-x25ir-platinum-4mp-25-network-ir-ptz-camera.html>> (Year: 2022).*

(Continued)

Primary Examiner — Elizabeth J Oswecki

Assistant Examiner — Lacey Chey Bowman

(74) *Attorney, Agent, or Firm* — Sughrue Mion, PLLC

(57) **CLAIM**

The ornamental design for a surveillance camera, as shown and described.

DESCRIPTION

FIG. 1 is a perspective view of a surveillance camera, showing our new design;

FIG. 2 is a front view thereof;

FIG. 3 is a rear view thereof;

FIG. 4 is a left side view thereof;

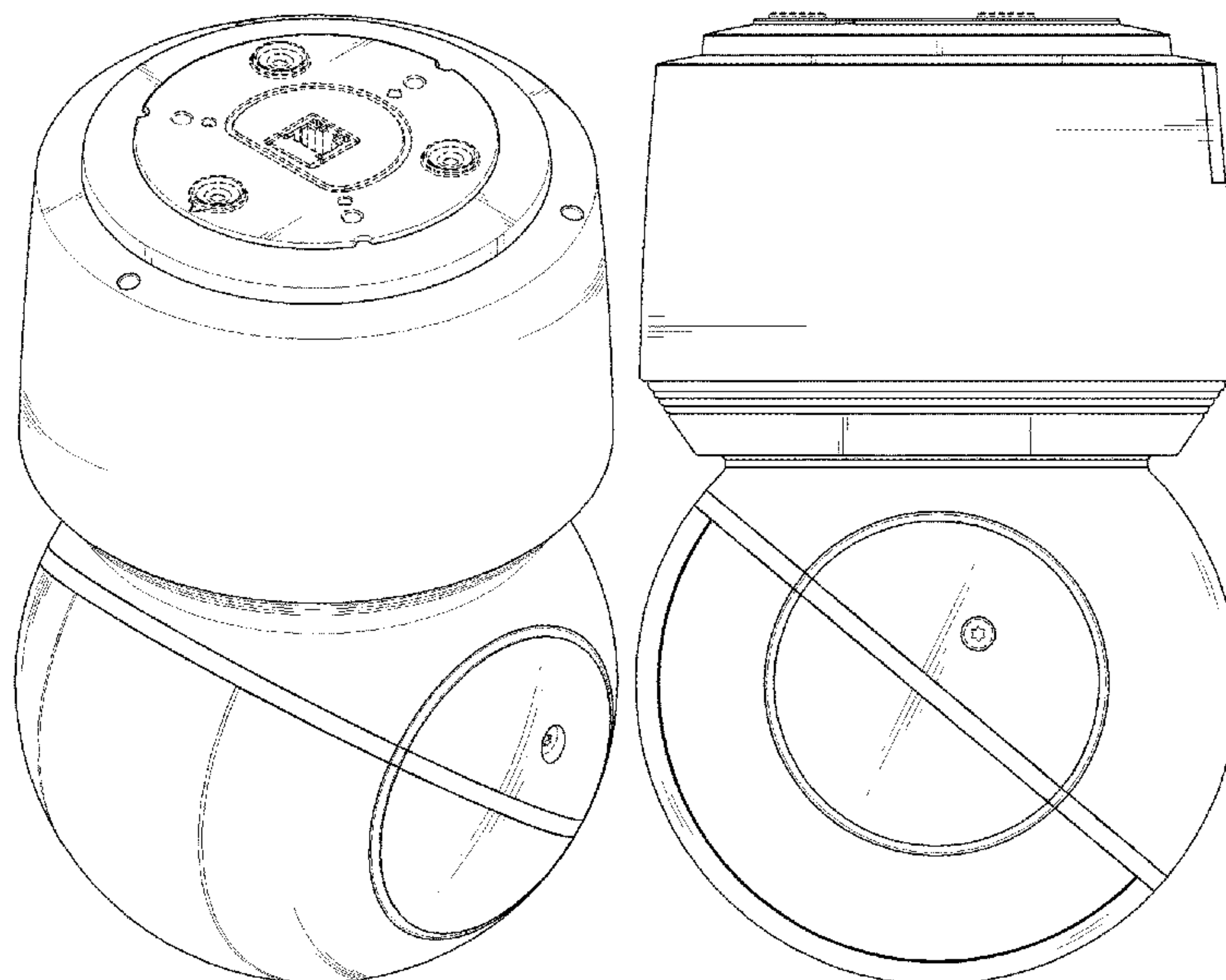
FIG. 5 is a right side view thereof;

FIG. 6 is a top plan view thereof; and,

FIG. 7 is a bottom plan view thereof.

The broken line portions in the drawings are shown to illustrate environment but form no part of the claimed design.

1 Claim, 7 Drawing Sheets



(56)

References Cited

U.S. PATENT DOCUMENTS

D921,085 S * 6/2021 Li D16/203
D925,640 S * 7/2021 Miller D16/203

OTHER PUBLICATIONS

“CZ500 Ultra—4MP 25X Optical Zoom Outdoor PoE PTZ Speed Dome Camera, IK10 Vandal-Resistant, 4.8-12 mm Lens, Intelligent Behavior Analysis, 164 ft Color Night Vision, Support External Sirens” from Annke.com, first retrieved Jul. 11, 2022 from the internet <<https://www.annke.com/products/cz500-ultra>> (Year: 2022).*

“AXIS Q6155-E PTZ Network Camera” from Camcentral.net, first retrieved Jul. 11, 2022 from the internet <<https://www.camcentral.net/product/axis-q6155-e-ptz-network-camera/>> (Year: 2022).*

* cited by examiner

FIG. 1

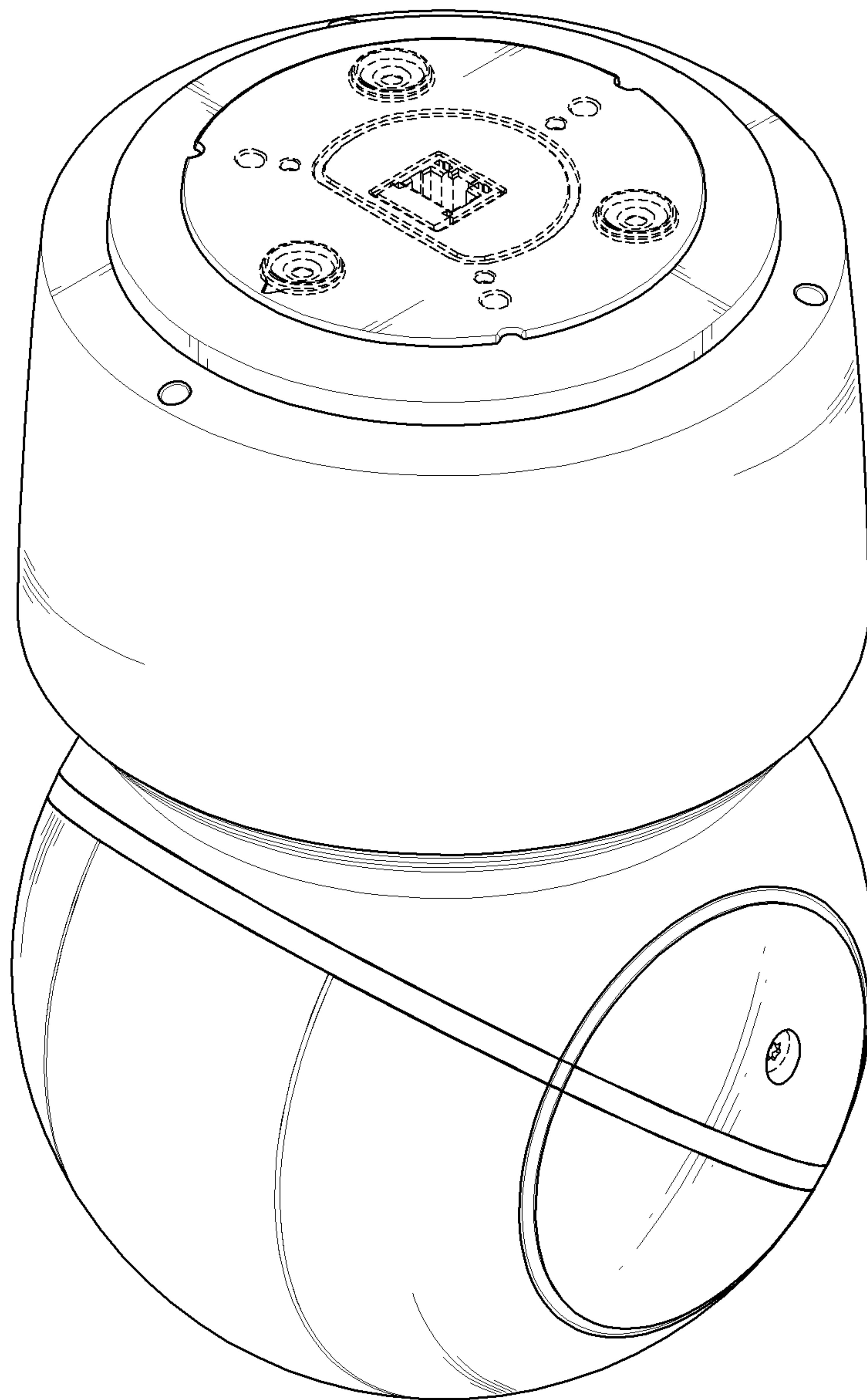


FIG. 2

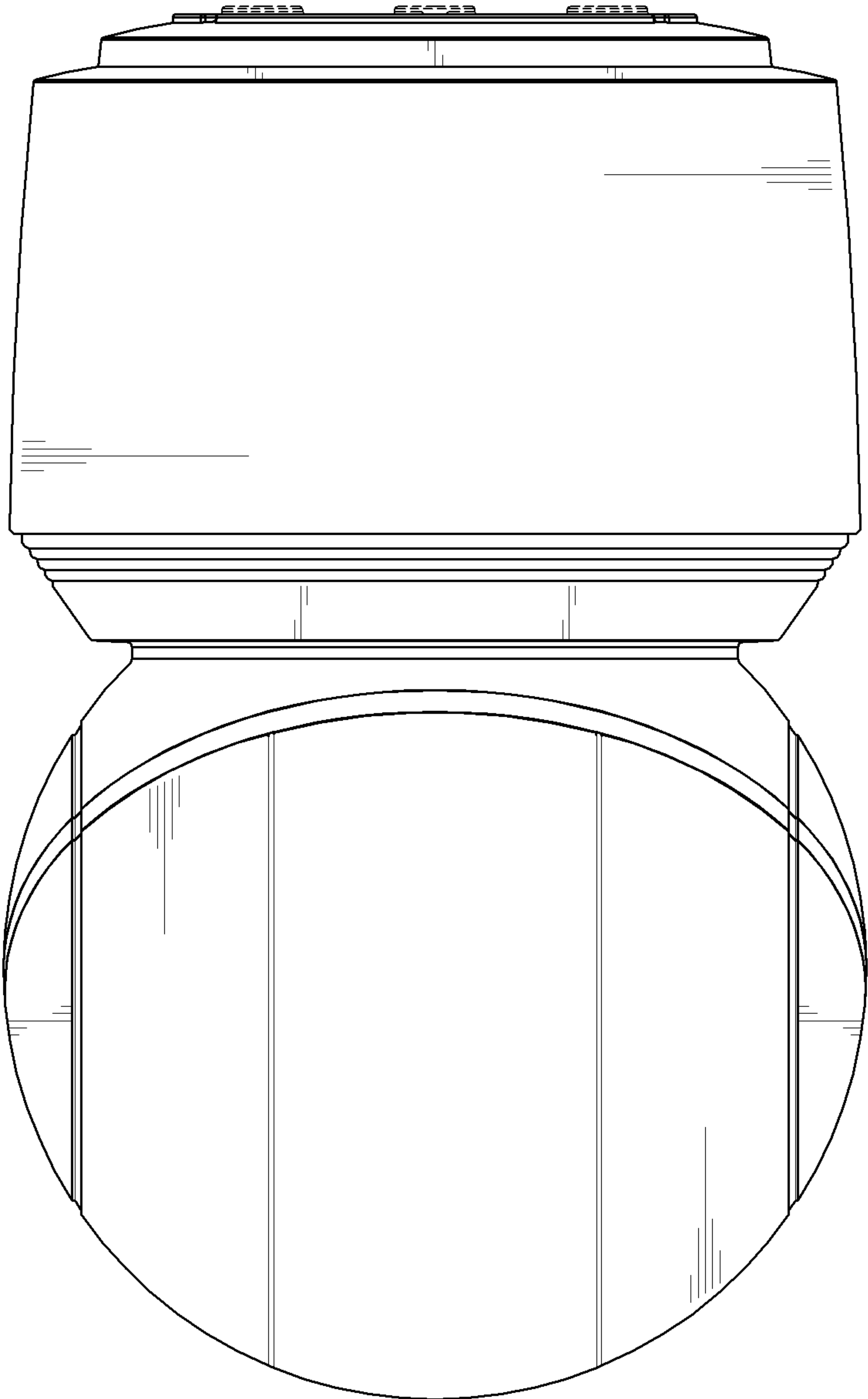


FIG. 3

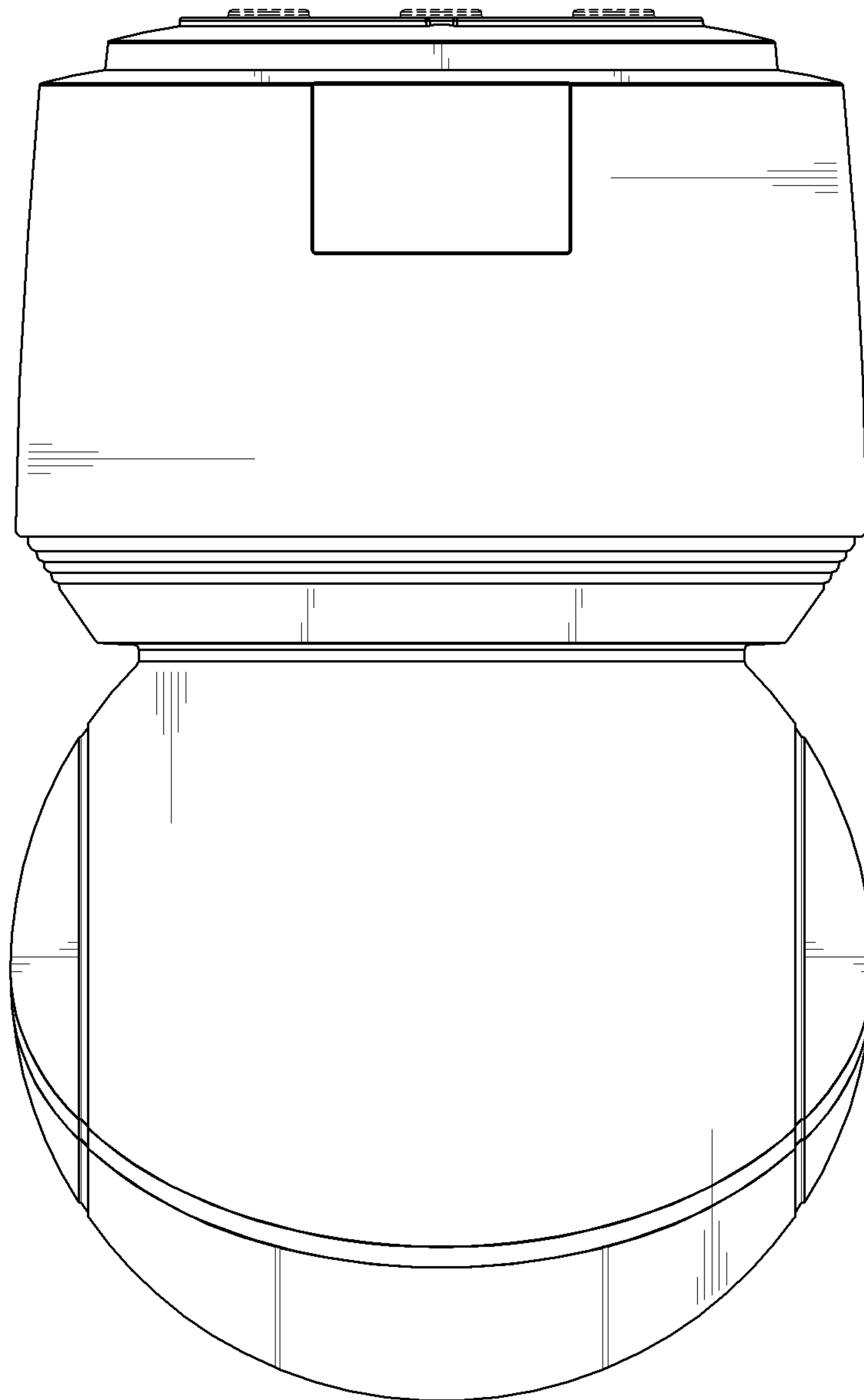


FIG. 4

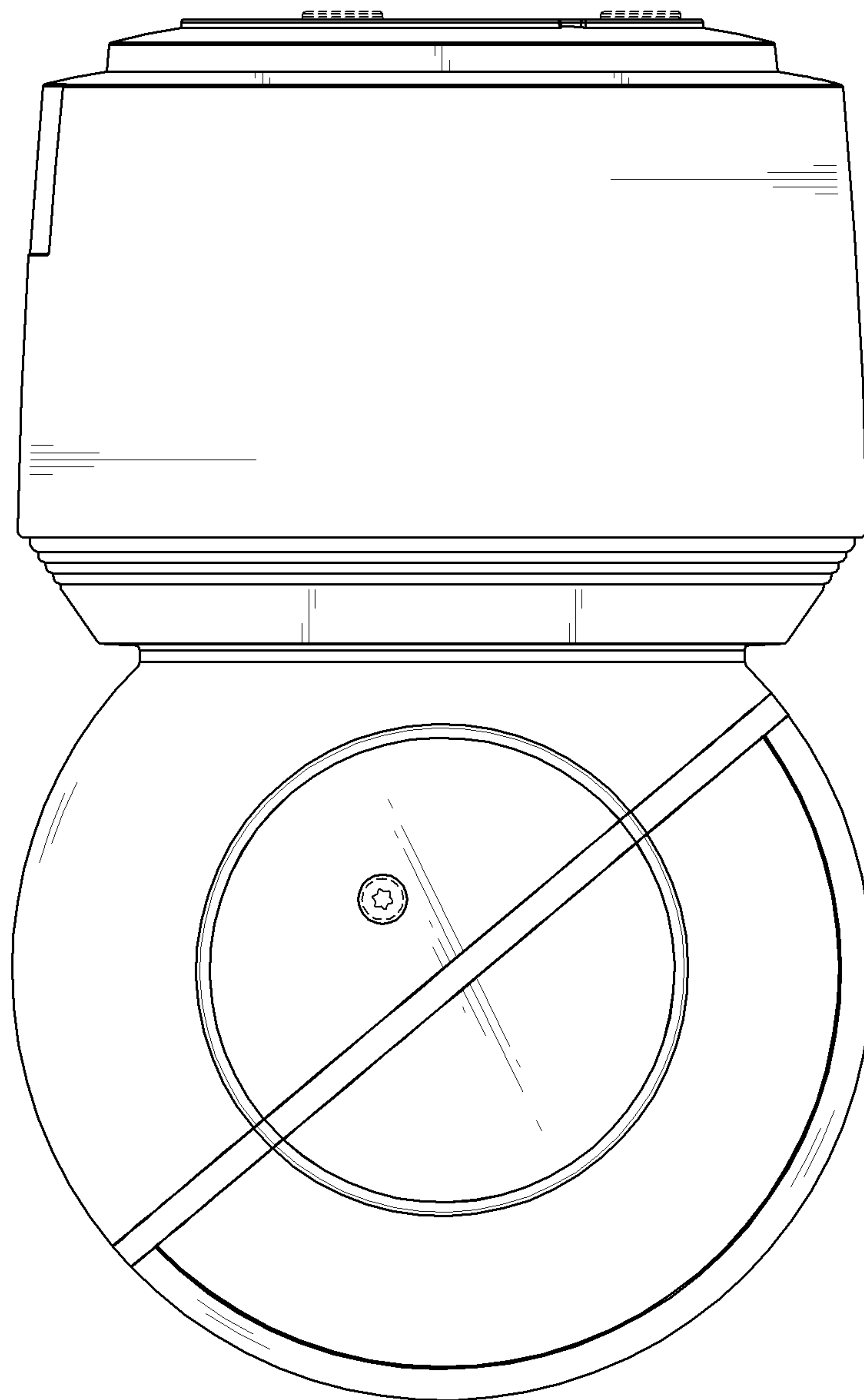


FIG. 5

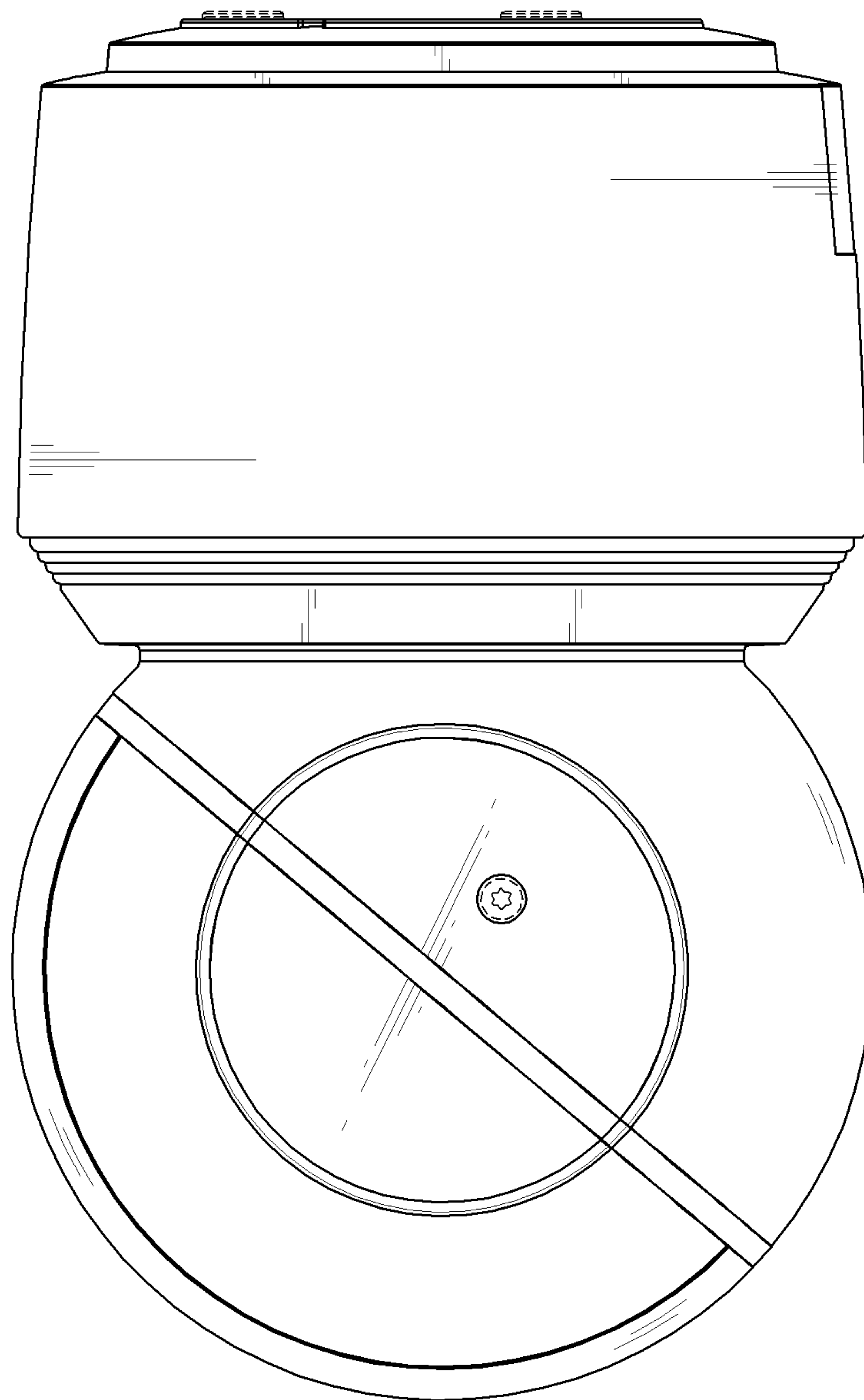


FIG. 6

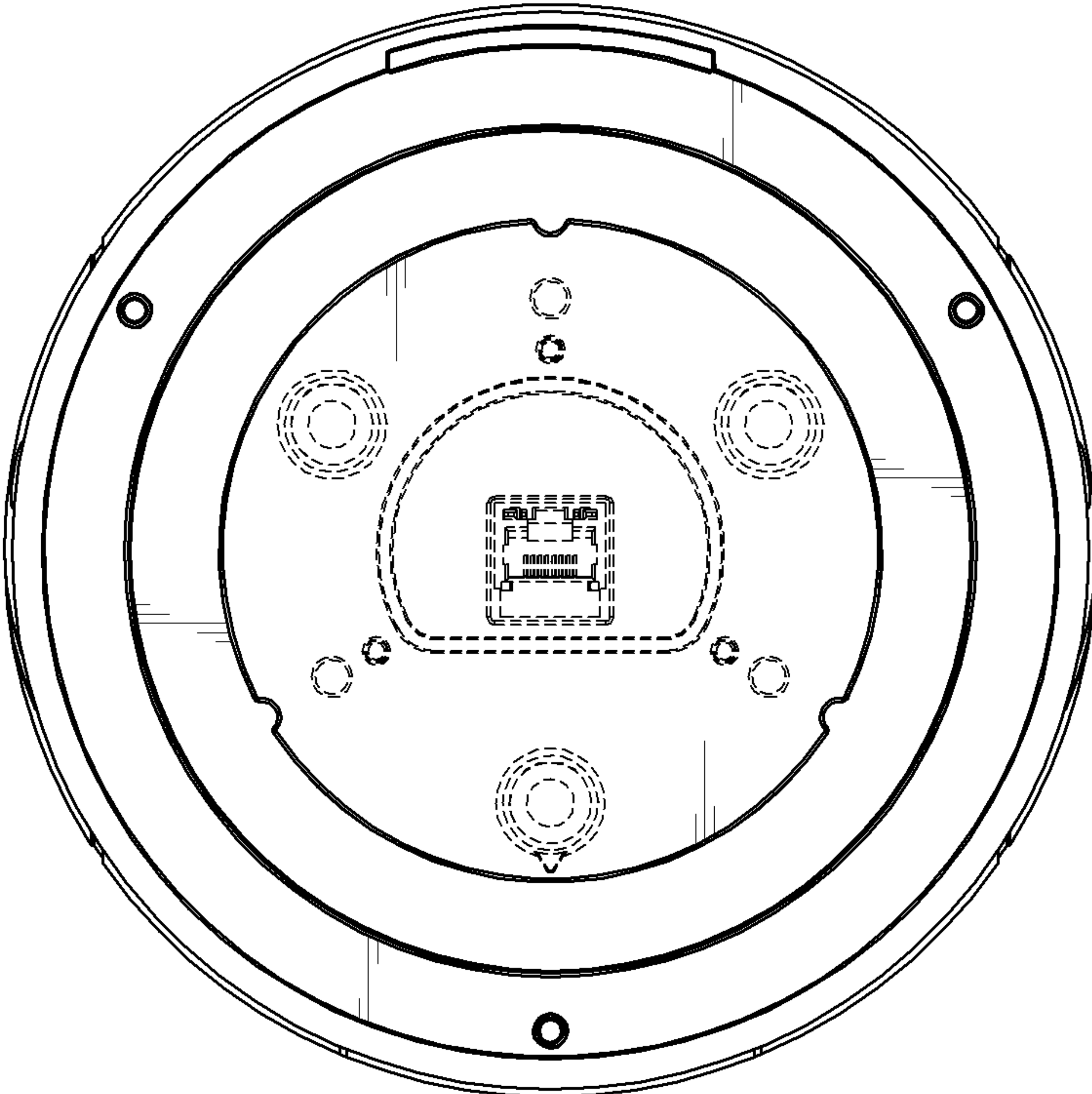


FIG. 7

