



US00D975768S

(12) **United States Design Patent**
Chen

(10) **Patent No.:** **US D975,768 S**
(45) **Date of Patent:** **** Jan. 17, 2023**

(54) **TIME-LAPSE PHOTOGRAPHY CAMERA**

(71) Applicant: **Zhujun Chen**, Guangdong (CN)

(72) Inventor: **Zhujun Chen**, Guangdong (CN)

(73) Assignee: **Shenzhen Gaodi Digital Co., Ltd.**,
Guangdong (CN)

(**) Term: **15 Years**

(21) Appl. No.: **29/756,498**

(22) Filed: **Oct. 29, 2020**

(51) **LOC (14) Cl.** **16-01**

(52) **U.S. Cl.**
USPC **D16/200**

(58) **Field of Classification Search**
USPC D16/200–203, 207–208, 218–219;
D10/46, 60, 62, 65, 104.1, 106.6, 106.7,
D10/109.1, 109.2, 121; D14/137;
D21/517
CPC G03B 17/00; G03B 17/02; G03B 17/08;
G03B 2217/00; H04N 5/2251; H04N
5/2252; H04N 5/22521; H04N 5/2258;
H04N 5/23218

See application file for complete search history.

(56) **References Cited**

U.S. PATENT DOCUMENTS

D865,023 S	*	10/2019	Chen	D16/203
D883,358 S	*	5/2020	Ren	D16/203
D887,479 S	*	6/2020	Brickner	D16/218
D910,734 S	*	2/2021	Yu	D16/218
D949,942 S	*	4/2022	Song	D16/200

FOREIGN PATENT DOCUMENTS

CN	305357250	*	9/2019
CN	305603666	*	2/2020

OTHER PUBLICATIONS

“Hidden Camera TL2300 Time Lapse Camera LED Low Light Digital Timelapse Cameras Full Color 1080P HD Video Recorder Timer Camera IP66 Waterproof for Wildlife Monitoring (Color: TL2300)” from Amazon.com, first available Dec. 1, 2021 from the internet <<https://www.amazon.com/Timelapse-Recorder-Waterproof-Wildlife-Monitoring/dp/B09MT3K8RF>> (Year: 2021).*

“Dsoon Time Lapse Camera Outdoor Construction/Plant/Weather/Life 1080P, 2.4" HD TFT LCD, Waterproof Level IP66, 6 Month Battery Life, 32GBTF Card Included” from Amazon.com, first available Jul. 28, 2021 from the internet <<https://www.amazon.com/Dsoon-Outdoor-Construction-Waterproof-Included/dp/B08ZY1SDKM>> (Year: 2021).*

* cited by examiner

Primary Examiner — Elizabeth J Oswecki
Assistant Examiner — Lacey Chey Bowman

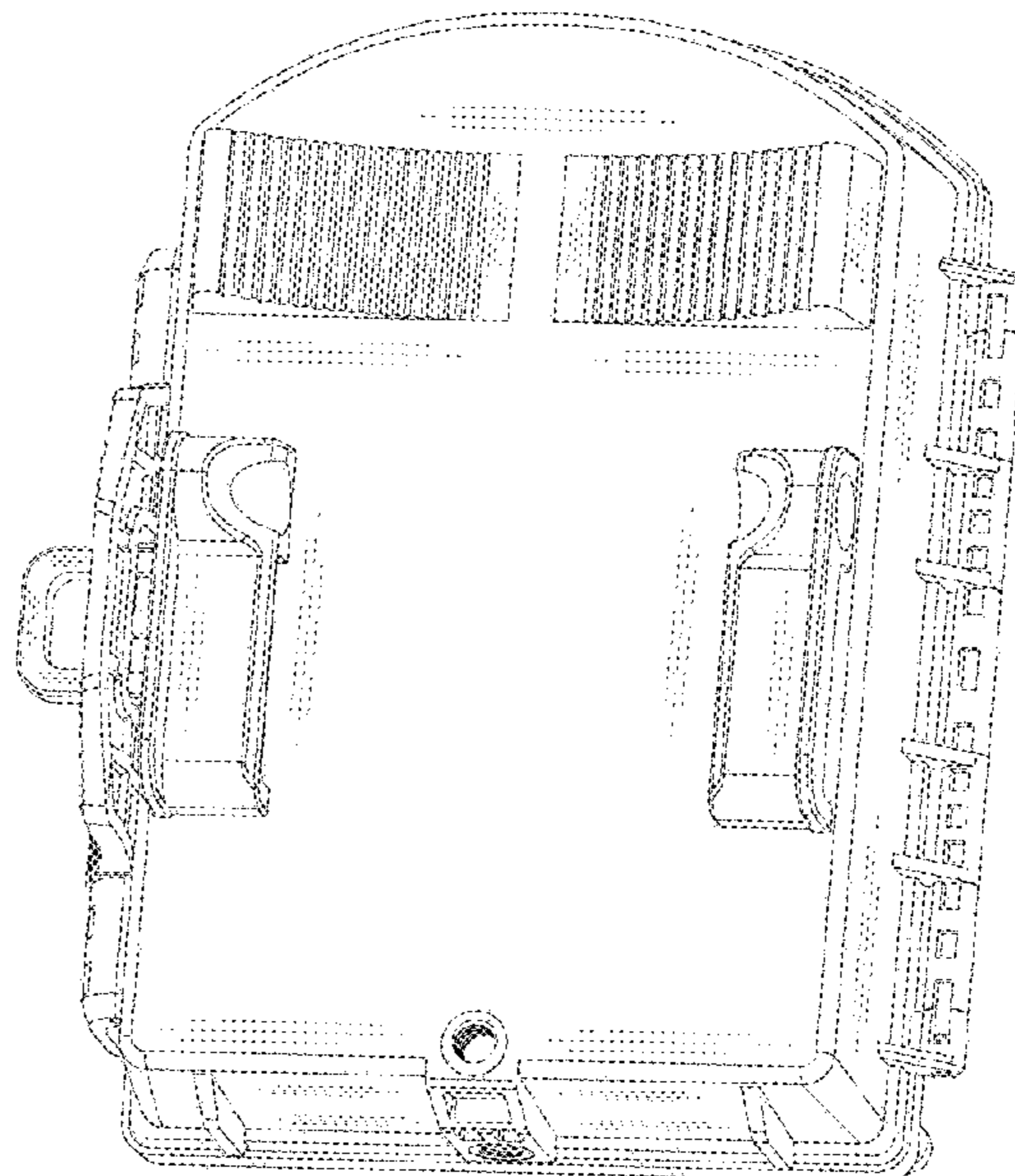
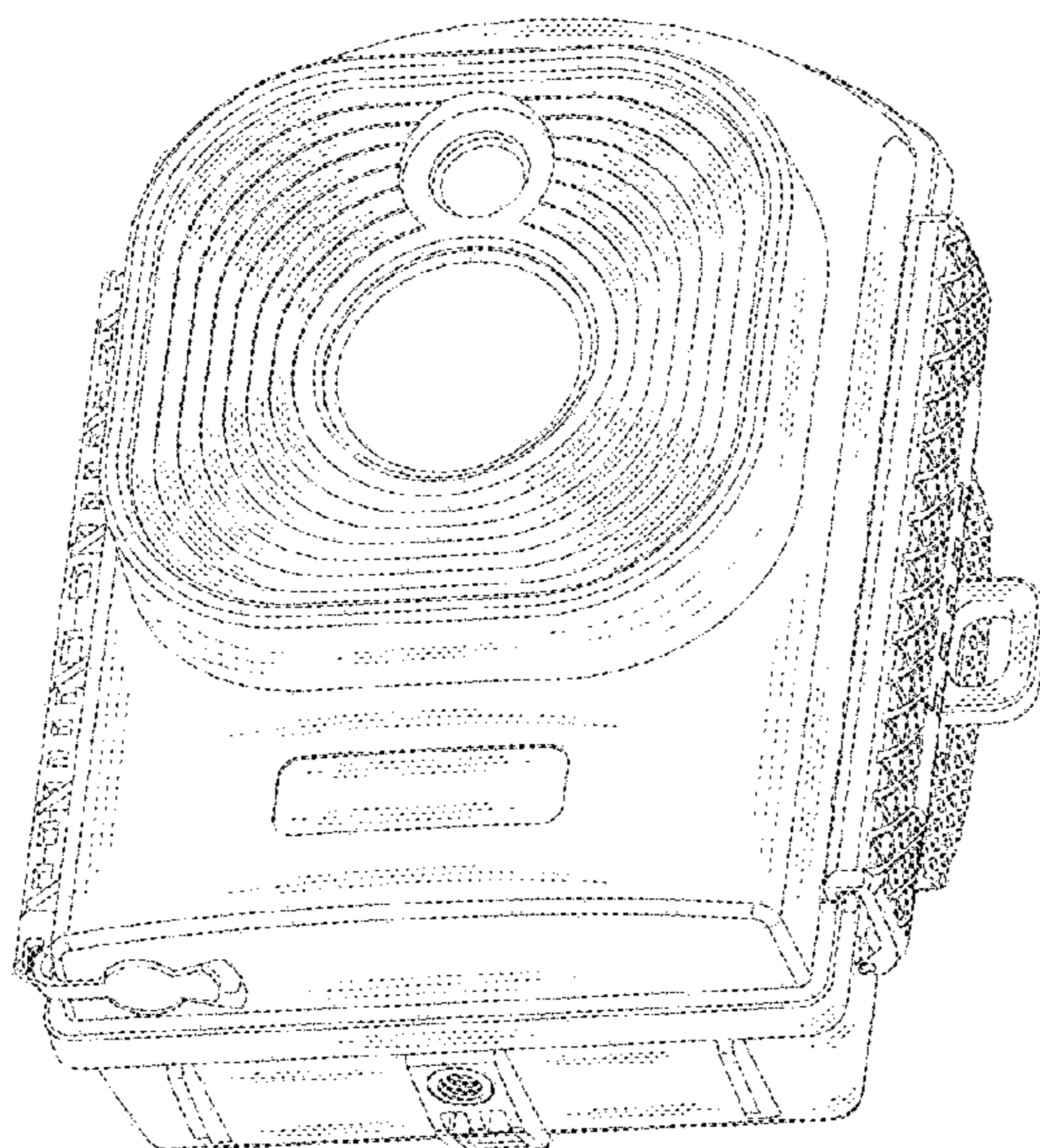
(57) **CLAIM**

The ornamental design for a time-lapse photography camera, as shown and described.

DESCRIPTION

FIG. 1 is a front, right and top perspective view of a time-lapse photography camera showing my new design; FIG. 2 is a rear perspective view thereof; FIG. 3 is a front elevation view thereof; FIG. 4 is a rear elevation view thereof; FIG. 5 is a left side elevation view thereof; FIG. 6 is a right side elevation view thereof; FIG. 7 is a top plan view thereof; and, FIG. 8 is a bottom plan view thereof.

1 Claim, 8 Drawing Sheets



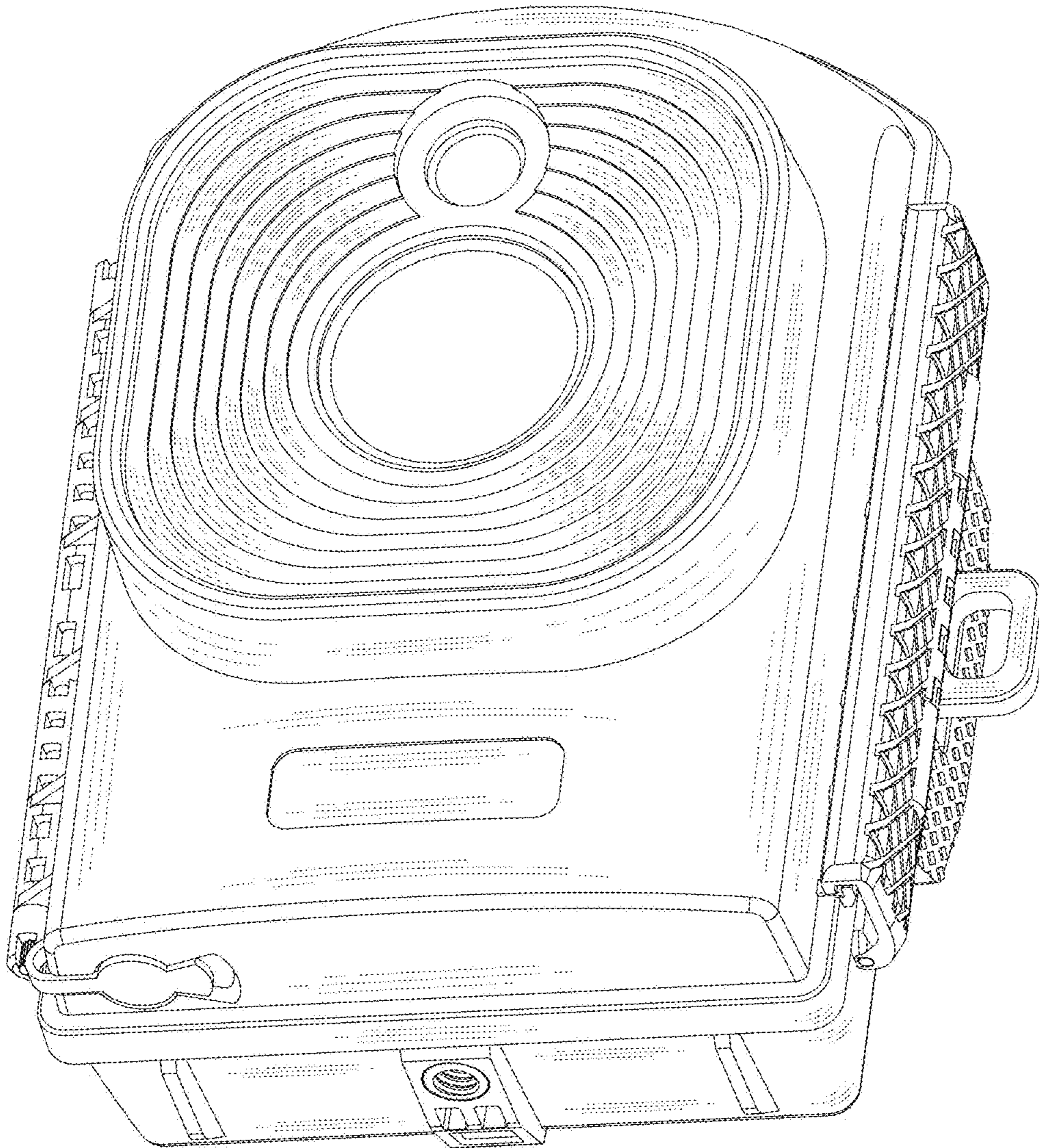


FIG.1

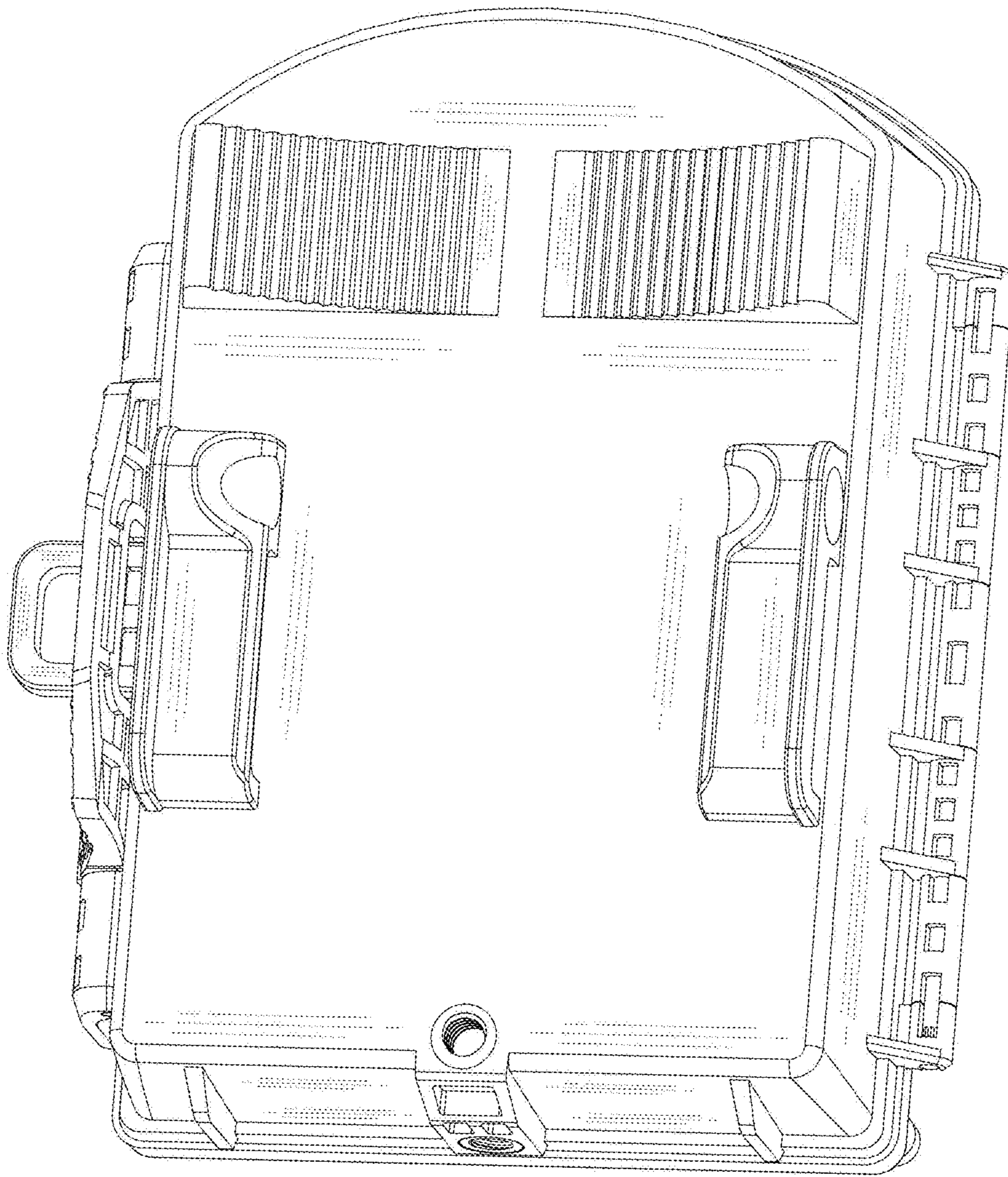


FIG.2

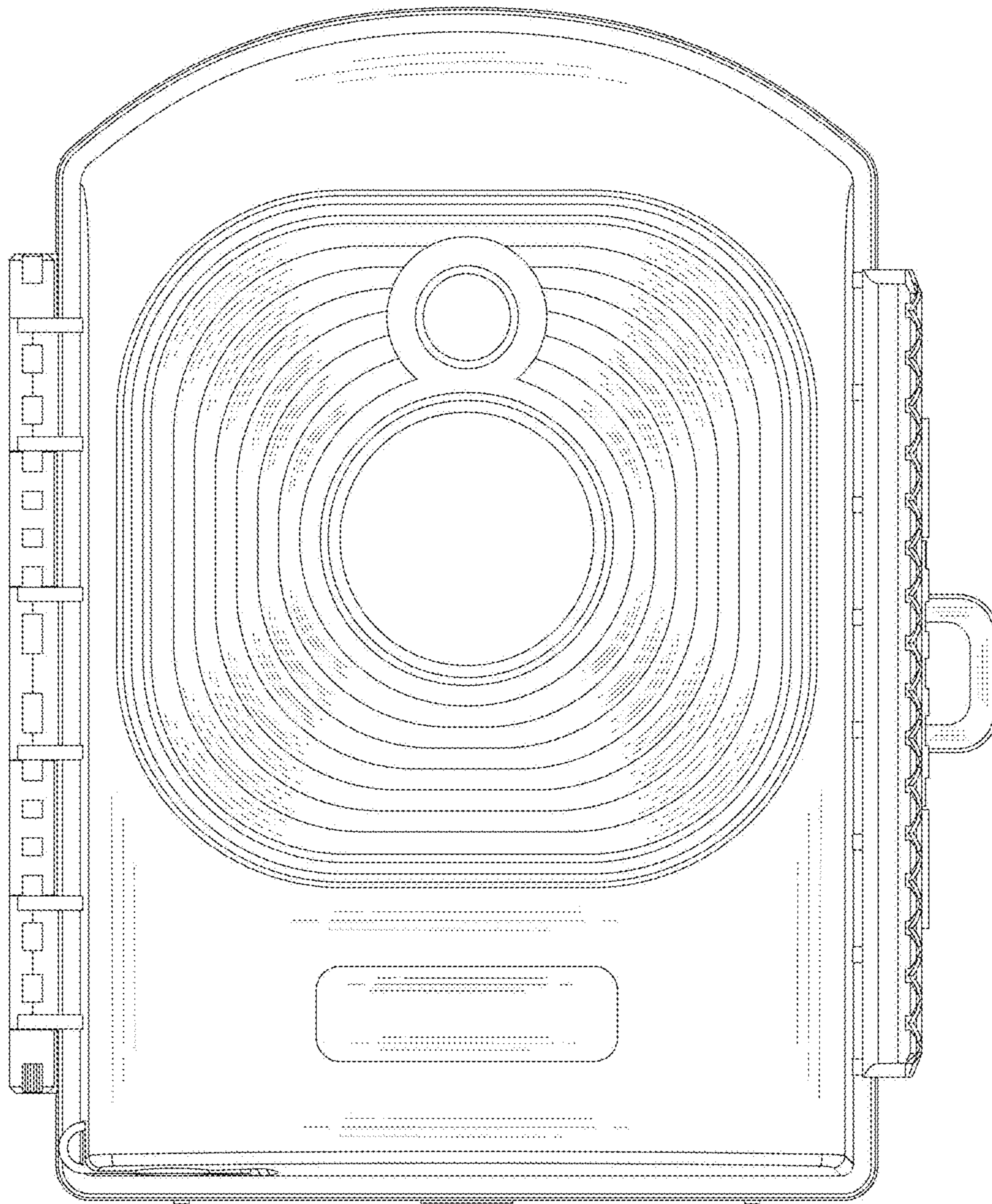


FIG.3

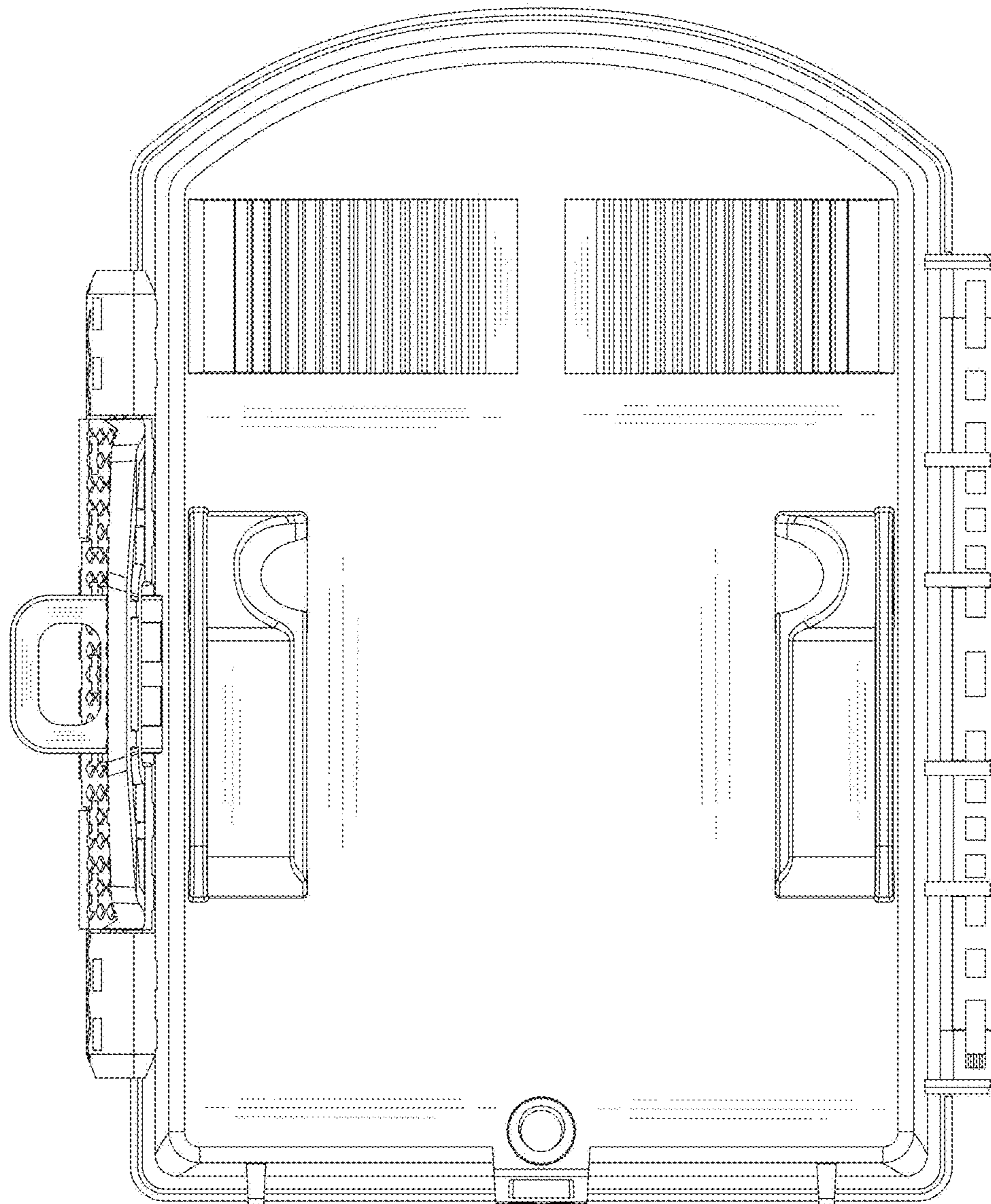


FIG.4

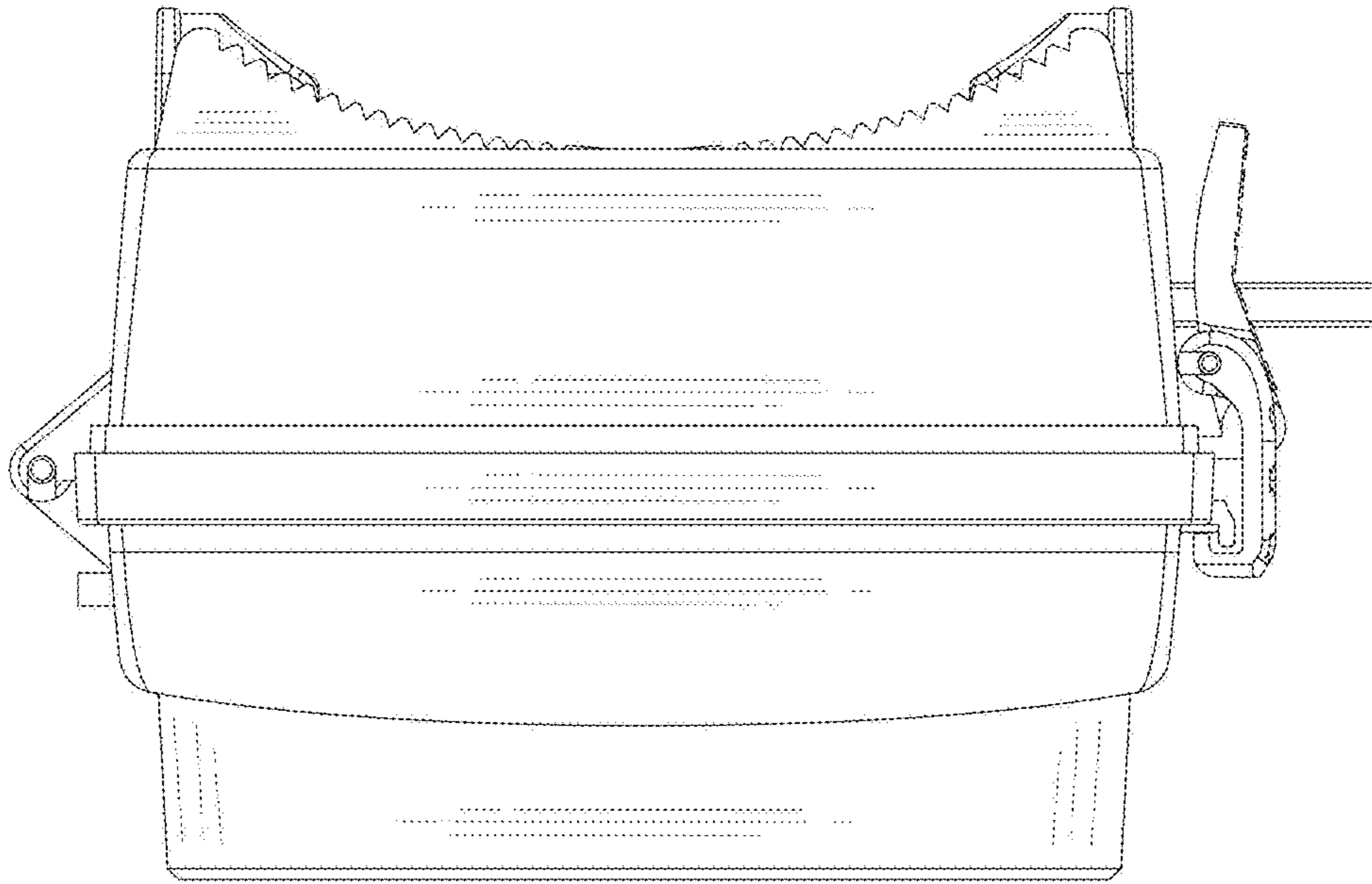


FIG.5

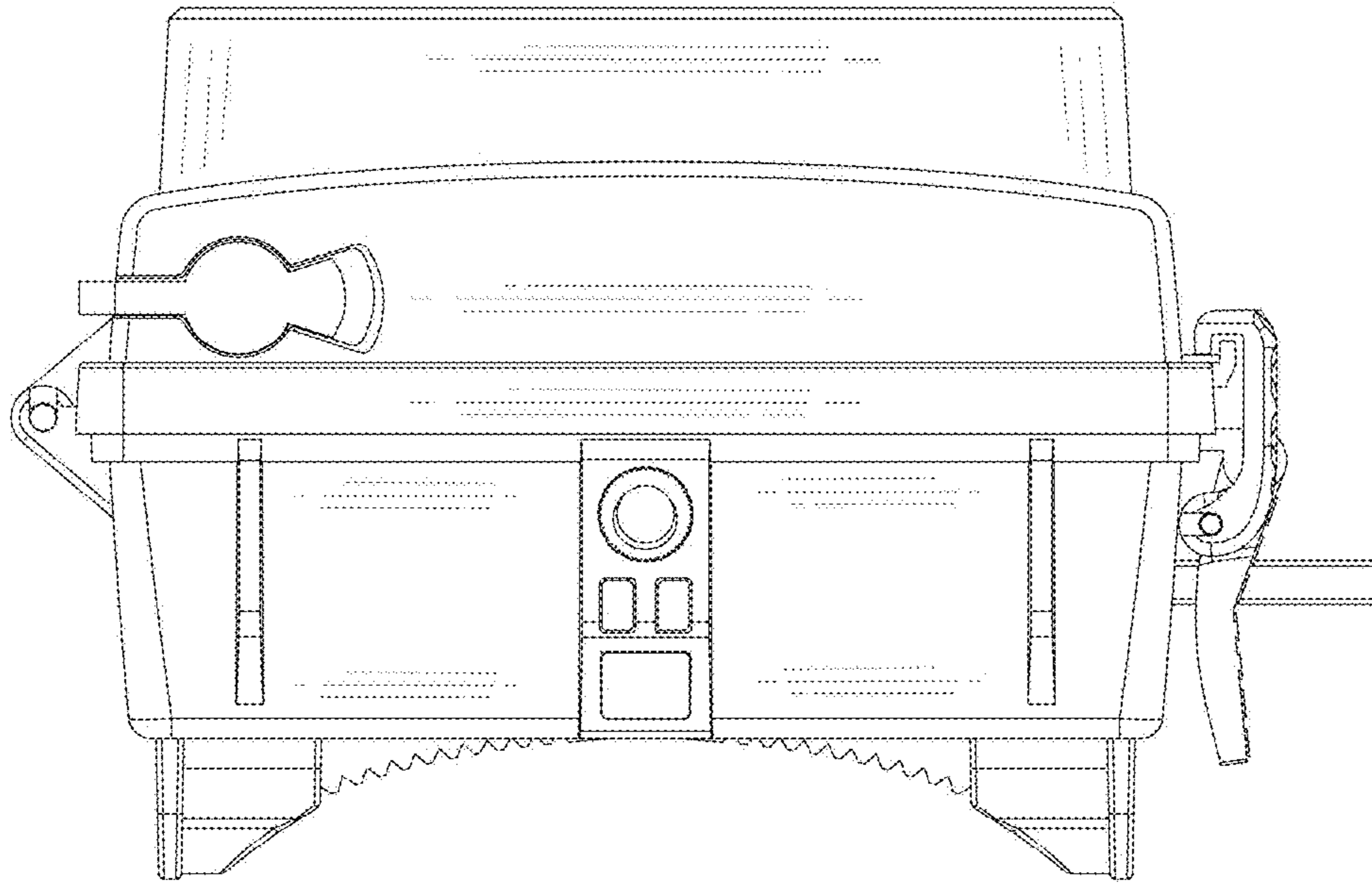


FIG.6

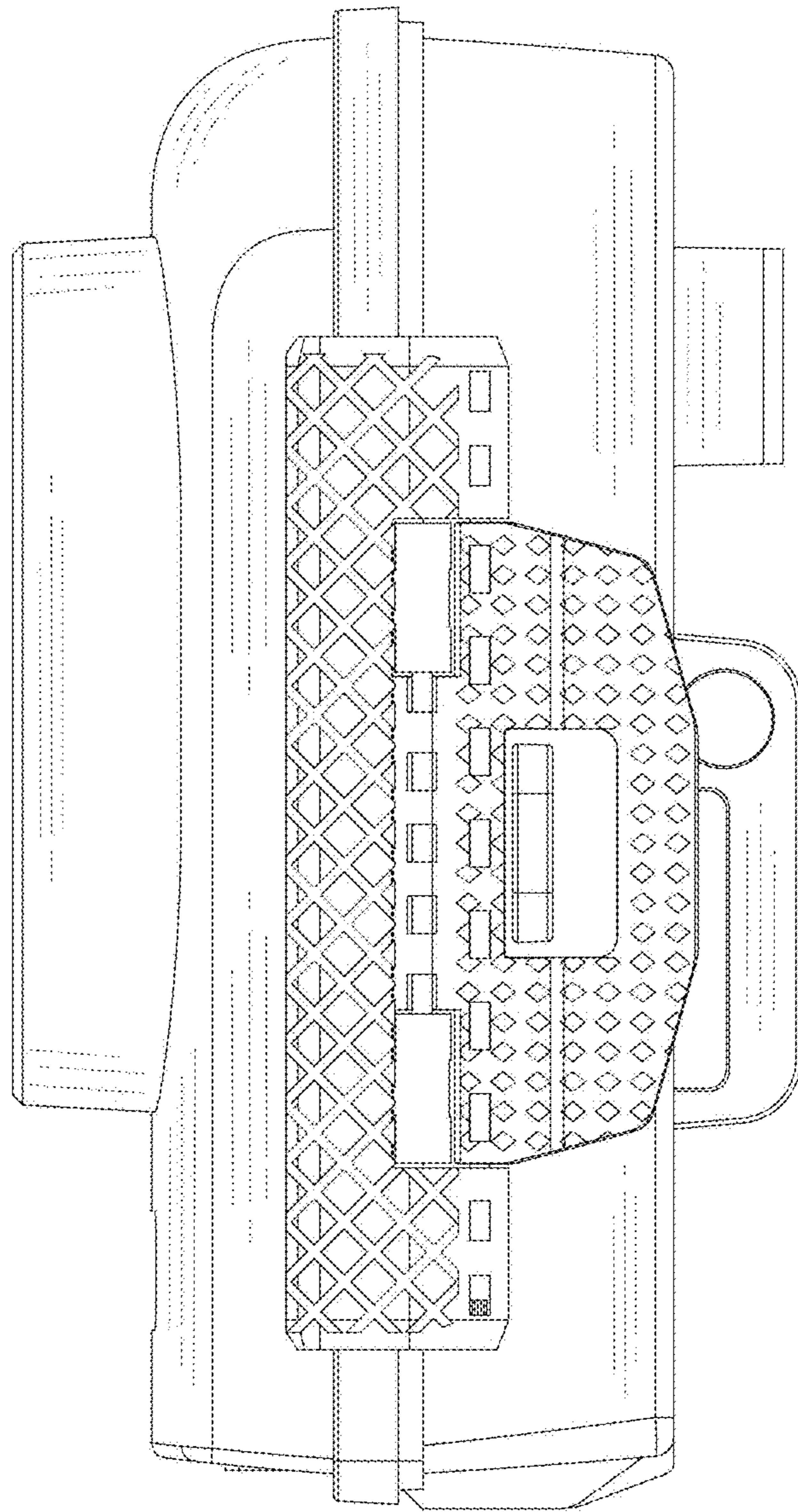


FIG. 7

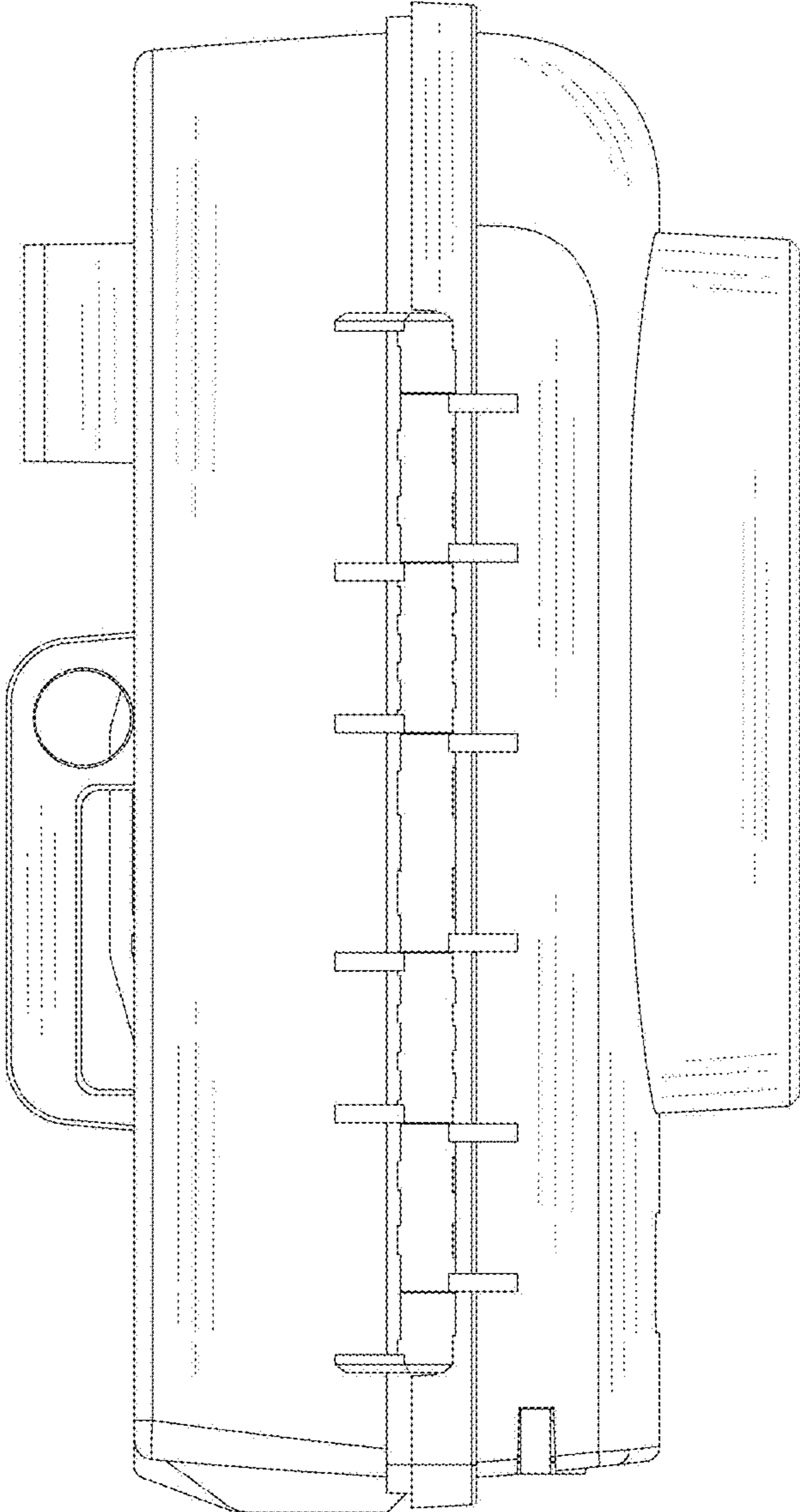


FIG. 8