



US00D975767S

(12) **United States Design Patent**
Jiang

(10) **Patent No.:** **US D975,767 S**
(45) **Date of Patent:** **** Jan. 17, 2023**

(54) **ACTION CAMERA CASE**
(71) Applicant: **SHENZHEN JIECHUANG DESIGN CO., LTD.**, Shenzhen (CN)

(72) Inventor: **Jiaoying Jiang**, Shenzhen (CN)

(**) Term: **15 Years**

(21) Appl. No.: **29/752,417**

(22) Filed: **Sep. 27, 2020**

(51) **LOC (14) Cl.** **16-01**

(52) **U.S. Cl.**

USPC **D16/200**; D16/204

(58) **Field of Classification Search**

USPC D16/200–204, 205–211, 217–219;
D10/46, 49, 104.1, 106.6; D14/203.1,
D14/205

CPC G03B 17/00; G03B 17/02; G03B 2217/00;
H04N 5/225; H04N 5/2251; H04N
5/2254

See application file for complete search history.

(56) **References Cited**

U.S. PATENT DOCUMENTS

D621,432 S *	8/2010	Yim	D16/204
D646,313 S *	10/2011	Woodman	D16/218
D647,554 S *	10/2011	Yim	D16/204
D657,808 S *	4/2012	Woodman	D16/218
D710,921 S *	8/2014	Gioscia	D16/218
D710,922 S *	8/2014	Gioscia	D16/218
D724,637 S *	3/2015	Samuels	D16/200
D724,638 S *	3/2015	Samuels	D16/200
D725,169 S *	3/2015	Gioscia	D16/218
D739,451 S *	9/2015	Gioscia	D16/218
D740,868 S *	10/2015	Gioscia	D16/200
D752,671 S *	3/2016	Harrison	D16/200
D776,741 S *	1/2017	Parfitt	D16/204
D777,821 S *	1/2017	Gioscia	D16/219
D778,336 S *	2/2017	Gioscia	D16/219
D785,069 S *	4/2017	Goodwin	D16/219
D800,815 S *	10/2017	Clearman	D16/200

D800,819 S *	10/2017	Parfitt	D16/219
D804,560 S *	12/2017	Costa	D16/200
D805,117 S *	12/2017	Nguyen	D16/218

(Continued)

FOREIGN PATENT DOCUMENTS

CA	167027	*	4/2018
CN	305046477	*	2/2019
JP	D1413140	*	5/2011

OTHER PUBLICATIONS

“DJI Action 2 Waterproof Action Camera Case with 60M Maximum Depth and High-Strength Glass for Aquatic and Outdoor Activities” from Jgsuperstore.com, first retrieved Nov. 2, 2022 from the internet <<https://jgsuperstore.com/products/dji-action-2-waterproof-action-camera-case-with-60m-maximum-depth-and-high-strength-glass-for-aquatic-and-outdoor-activities>>. (Year: 2022).*

(Continued)

Primary Examiner — Elizabeth J Oswecki
Assistant Examiner — Lacey Chey Bowman

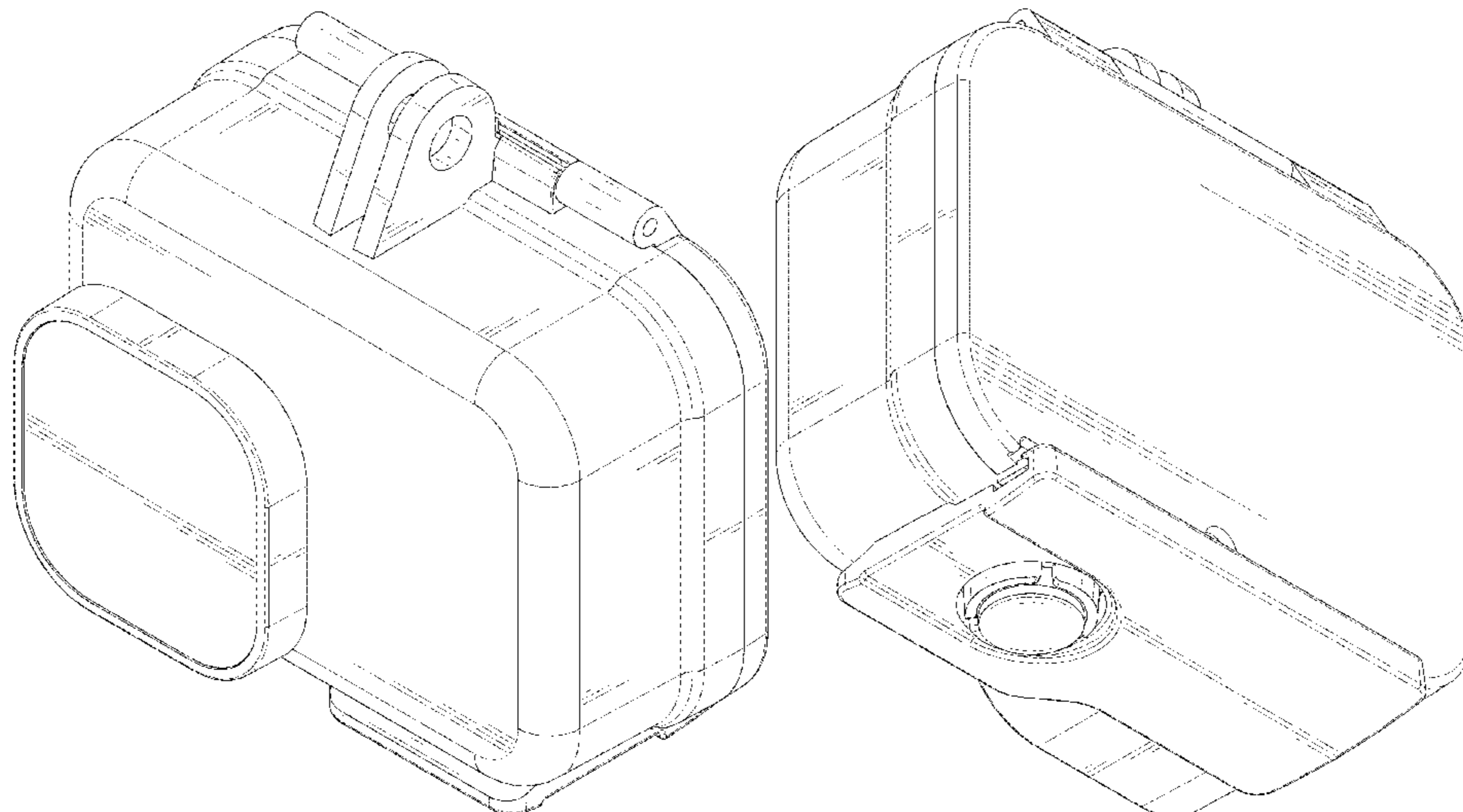
(57) **CLAIM**

The ornamental design for an action camera case, as shown and described.

DESCRIPTION

FIG. 1 is a top, front, and right side perspective view of an action camera case, showing my new design;
FIG. 2 is a bottom, rear, and right side perspective view thereof;
FIG. 3 is a front elevational view thereof;
FIG. 4 is a rear elevational view thereof;
FIG. 5 is a left side elevational view thereof;
FIG. 6 is a right side elevational view thereof;
FIG. 7 is a top plan view thereof; and,
FIG. 8 is a bottom plan view thereof.
The broken lines depict portions of the action camera case that form no part of the claimed design.

1 Claim, 8 Drawing Sheets



(56)

References Cited

U.S. PATENT DOCUMENTS

D808,163 S * 1/2018 Song D3/269
 D816,140 S * 4/2018 Ranetkins G03B 17/08
 D821,481 S * 6/2018 Gioscia D16/219
 D827,696 S * 9/2018 Crow D16/242
 D835,910 S * 12/2018 Eliyahu D3/294
 D856,391 S * 8/2019 Liu D16/200
 D861,761 S * 10/2019 Bergman D16/200
 D868,131 S * 11/2019 Hu D16/200
 D869,539 S * 12/2019 Hu D16/200
 D869,844 S * 12/2019 Eliyahu D3/294
 D888,792 S * 6/2020 Luo D16/200
 D903,740 S * 12/2020 Au D16/219
 D943,654 S * 2/2022 Jiang D16/200
 D946,071 S * 3/2022 Muhlenkamp, IV D16/200
 D947,920 S * 4/2022 Muhlenkamp, IV D16/200
 D949,222 S * 4/2022 Bergman D16/200
 D951,321 S * 5/2022 Muhlenkamp, IV D16/200
 D954,776 S * 6/2022 Muhlenkamp, IV D16/200
 D963,016 S * 9/2022 Todd D16/200
 D963,017 S * 9/2022 Muhlenkamp, IV D16/200
 D963,023 S * 9/2022 Todd D16/219

2010/0060747 A1* 3/2010 Woodman G03B 17/02
 348/222.1
 2015/0049243 A1* 2/2015 Samuels H04N 5/2253
 348/374
 2016/0142579 A1* 5/2016 Beckmann H04N 9/7908
 348/231.4
 2017/0078537 A1* 3/2017 Peddecord G03B 17/08
 2018/0352927 A1* 12/2018 Wang G03B 17/08
 2020/0159091 A1* 5/2020 Vitale F16M 13/04

OTHER PUBLICATIONS

“Ulanzi G9-7 Waterproof Case for GoPro 9 protective Housing Frame Underwater Diving Shell with Quick Release Mount Accessories Action Camera” from Jgsuperstore.com, first retrieved Nov. 2, 2022 from the internet <<https://jgsuperstore.com/products/ulanzi-2312-g9-7-waterproof-case-for-gopro-9>> (Year: 2022).*

“Suptig Replacement Waterproof Case Protective Housing for GoPro Hero 4, Hero 3+, Hero3 Outside Sport Camera for Underwater Use—Water Resistant up to 147ft (45m)” from Amazon.com, first available Jul. 17, 2016 from the internet <<https://www.amazon.com/dp/B01G77CQDS/>> (Year: 2016).*

* cited by examiner

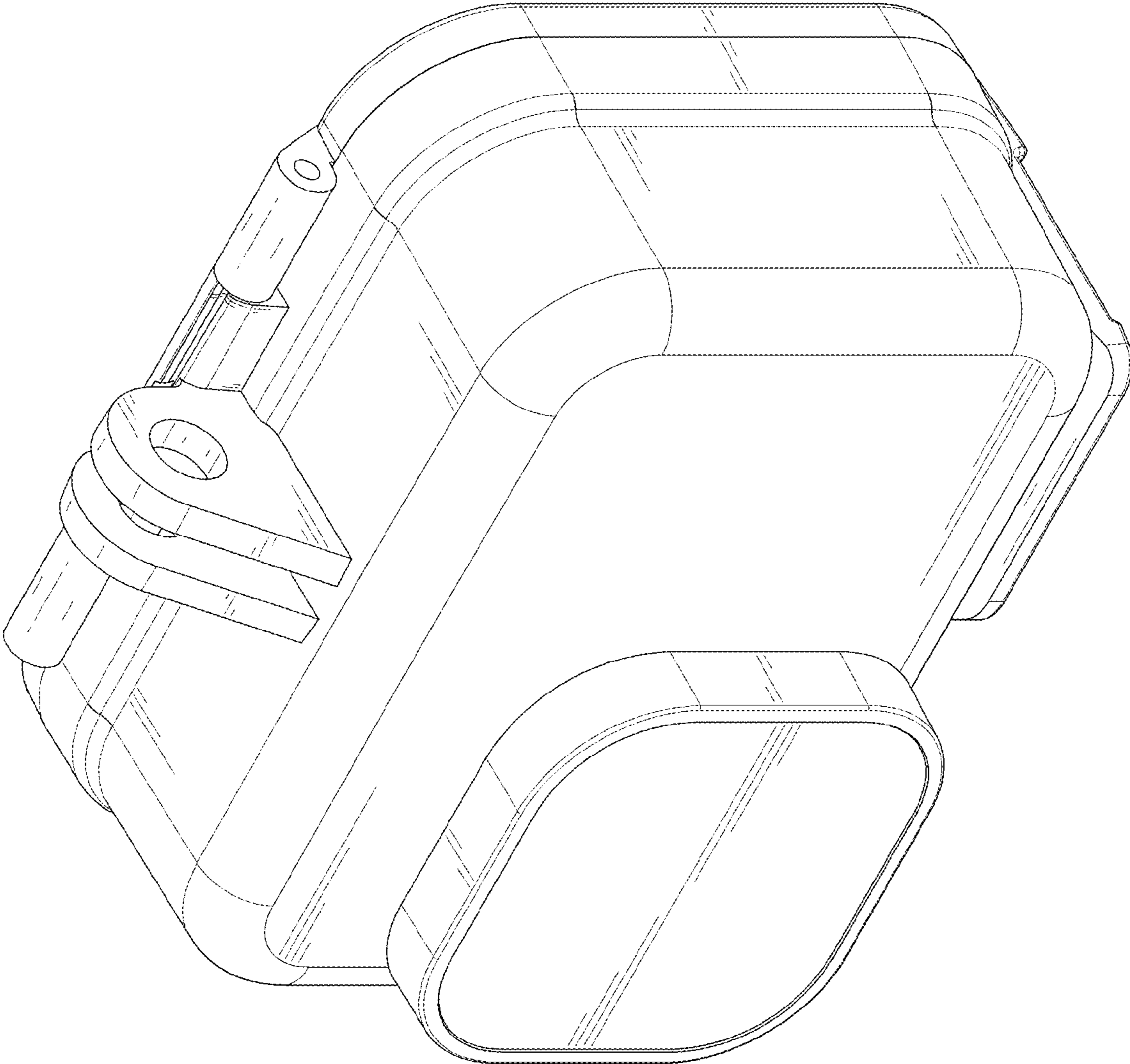


FIG.1

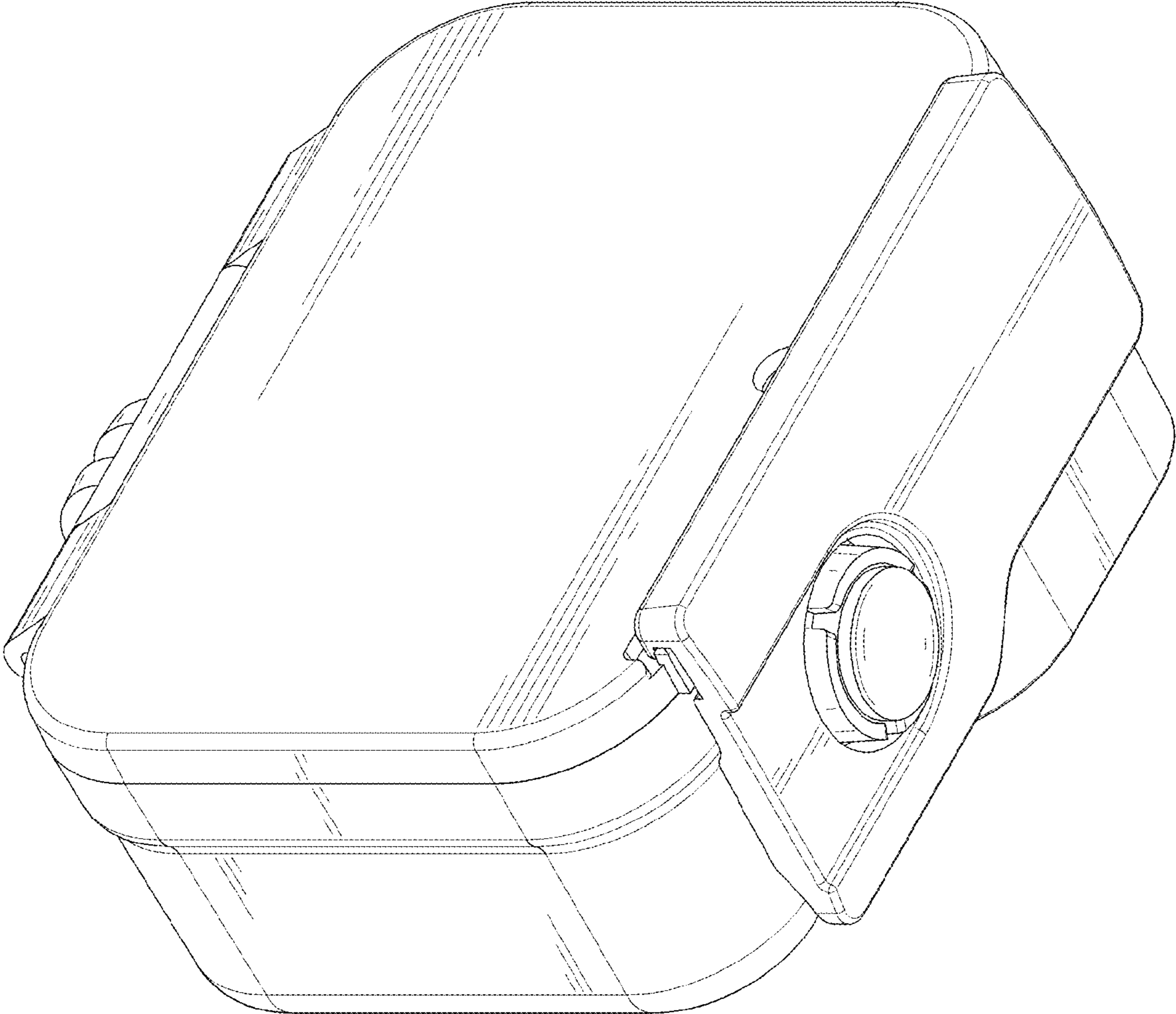


FIG.2

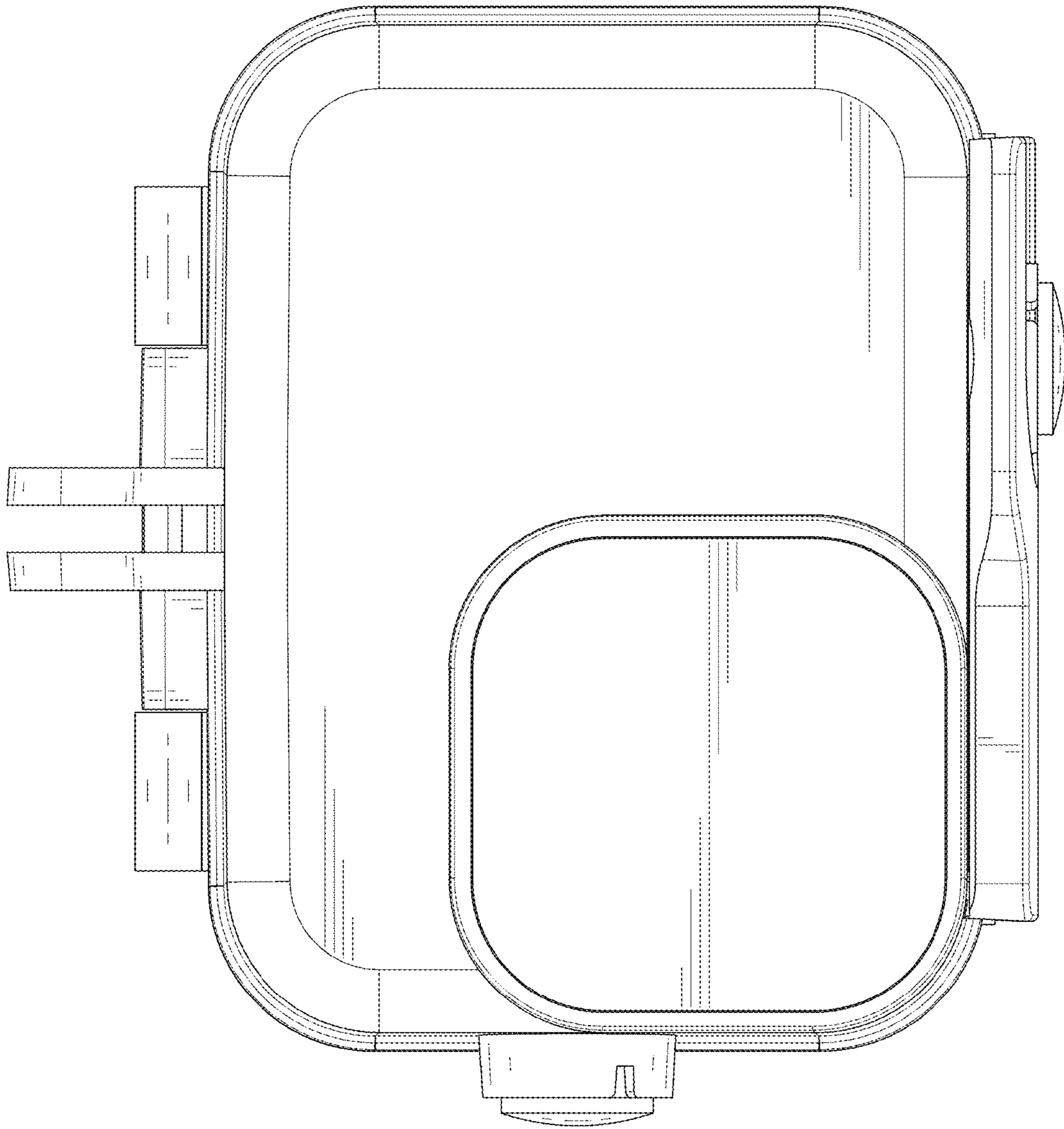


FIG. 3

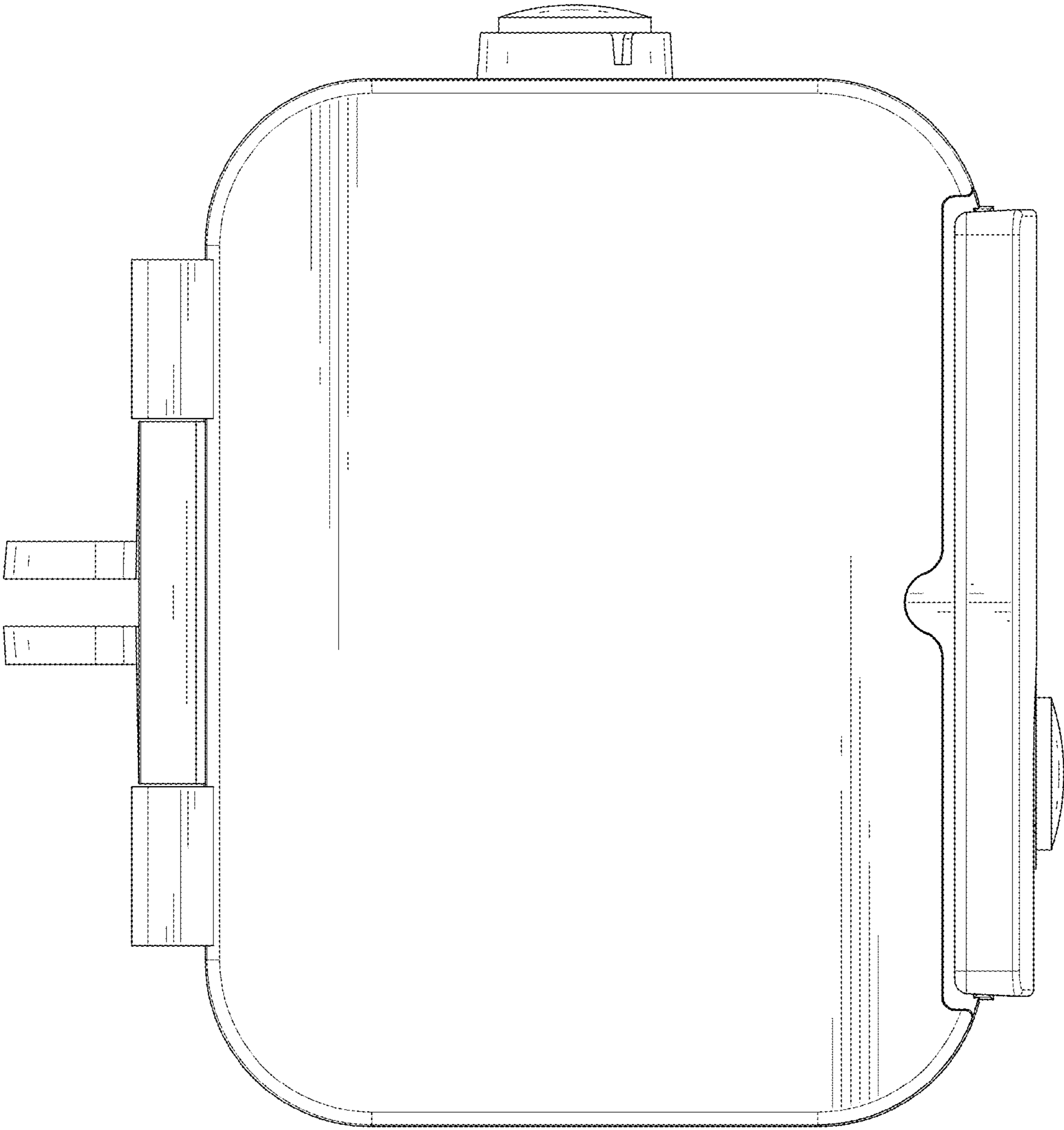


FIG.4

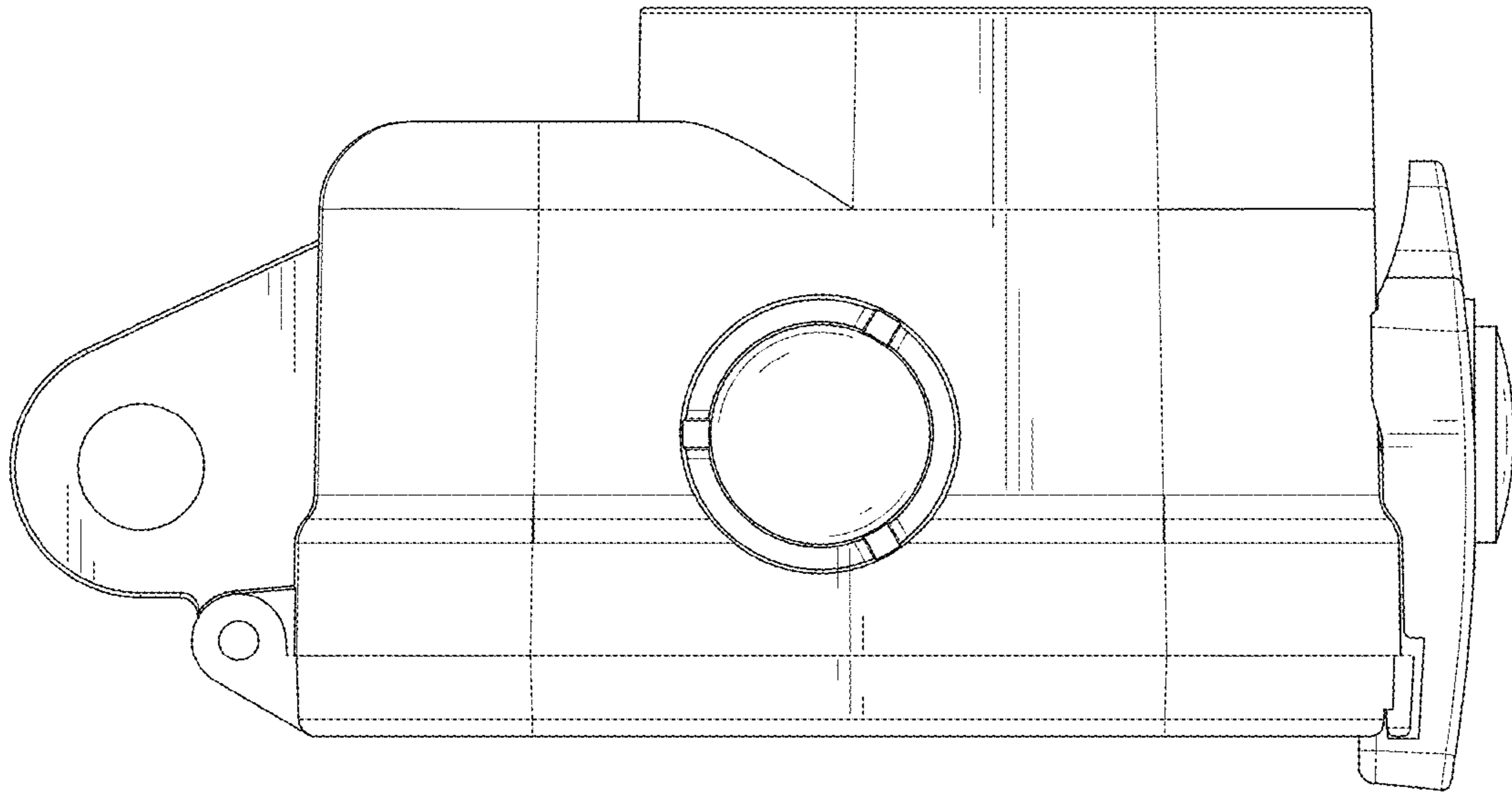


FIG. 5

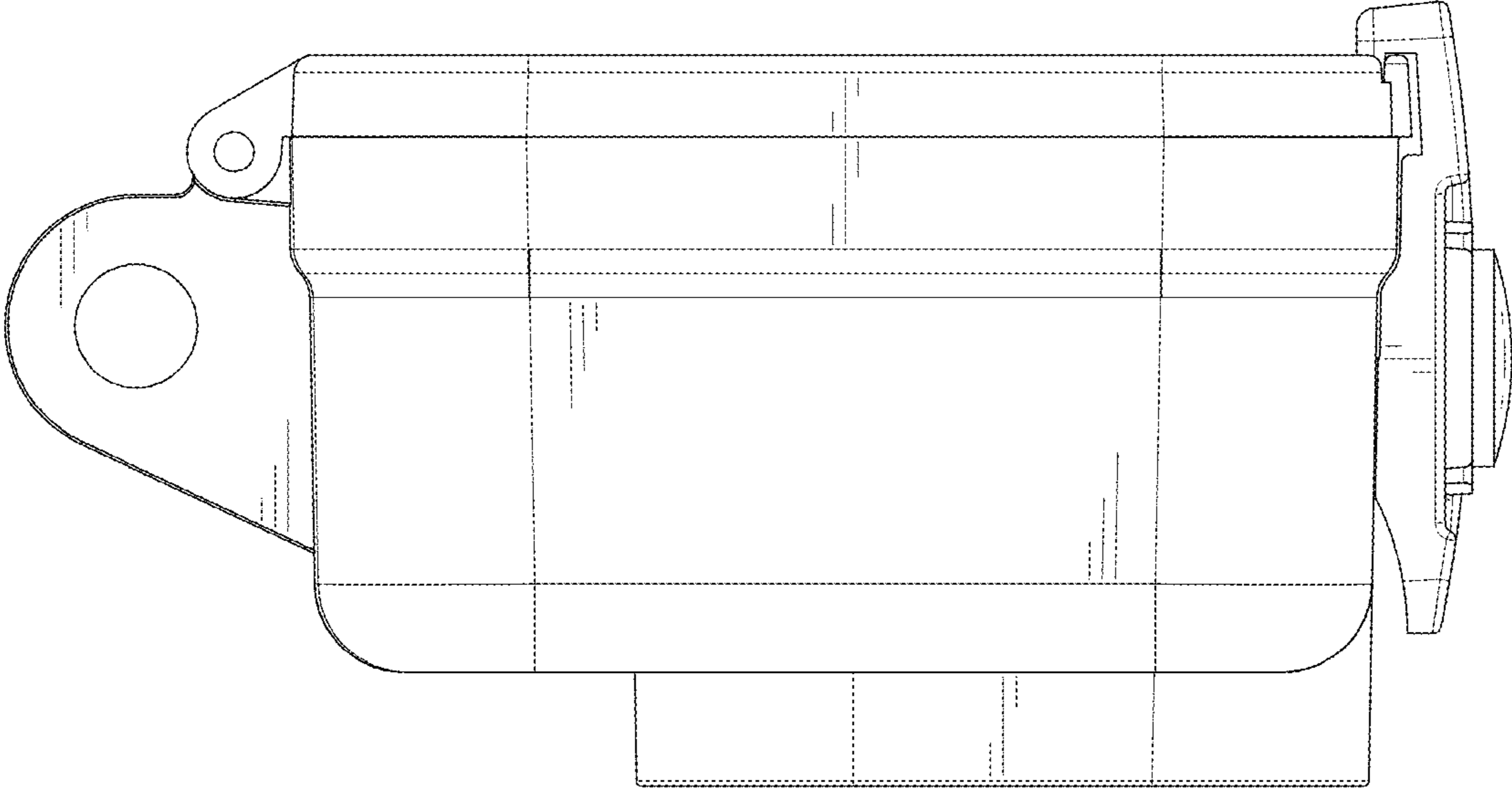


FIG.6

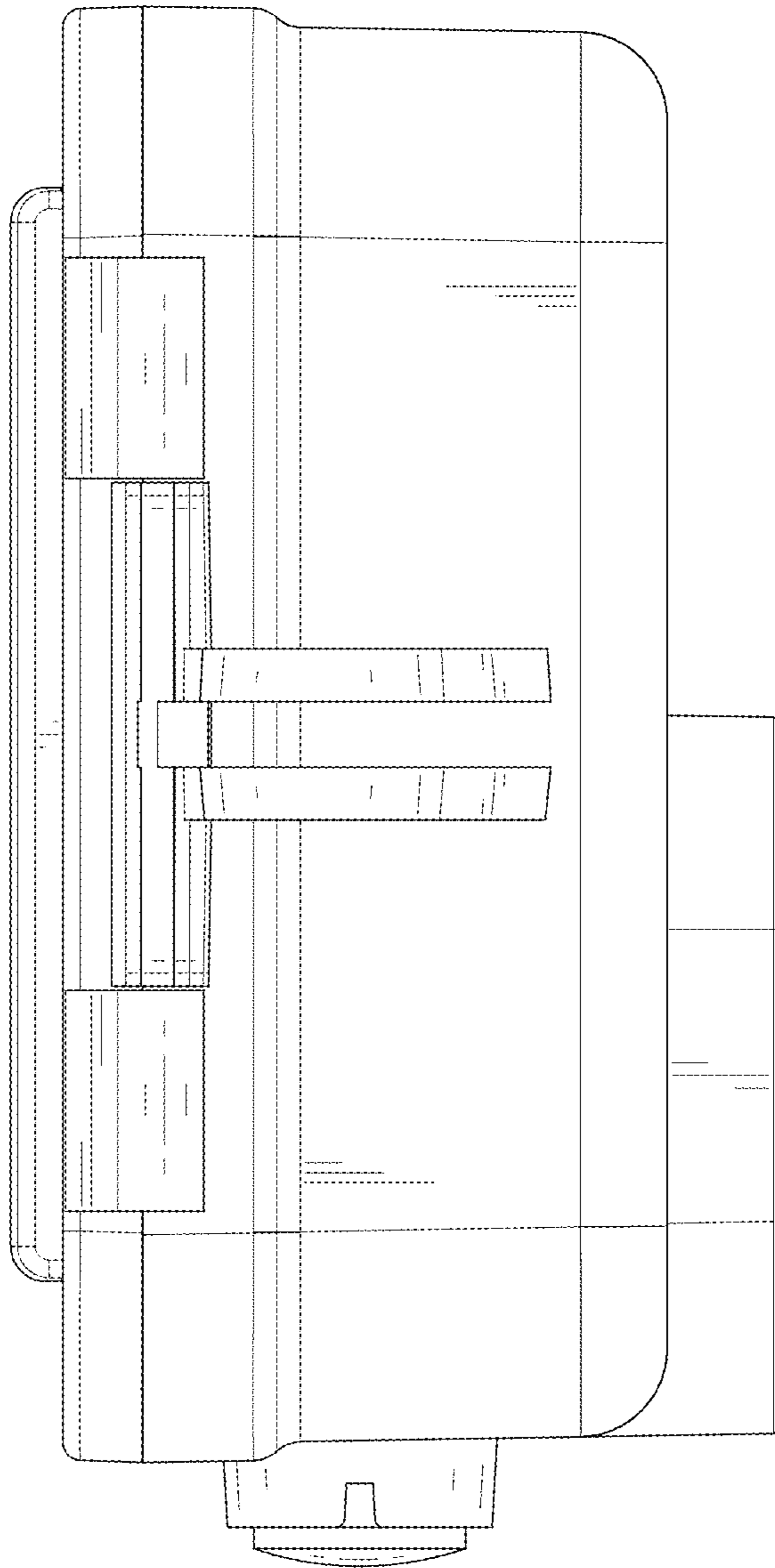


FIG. 7

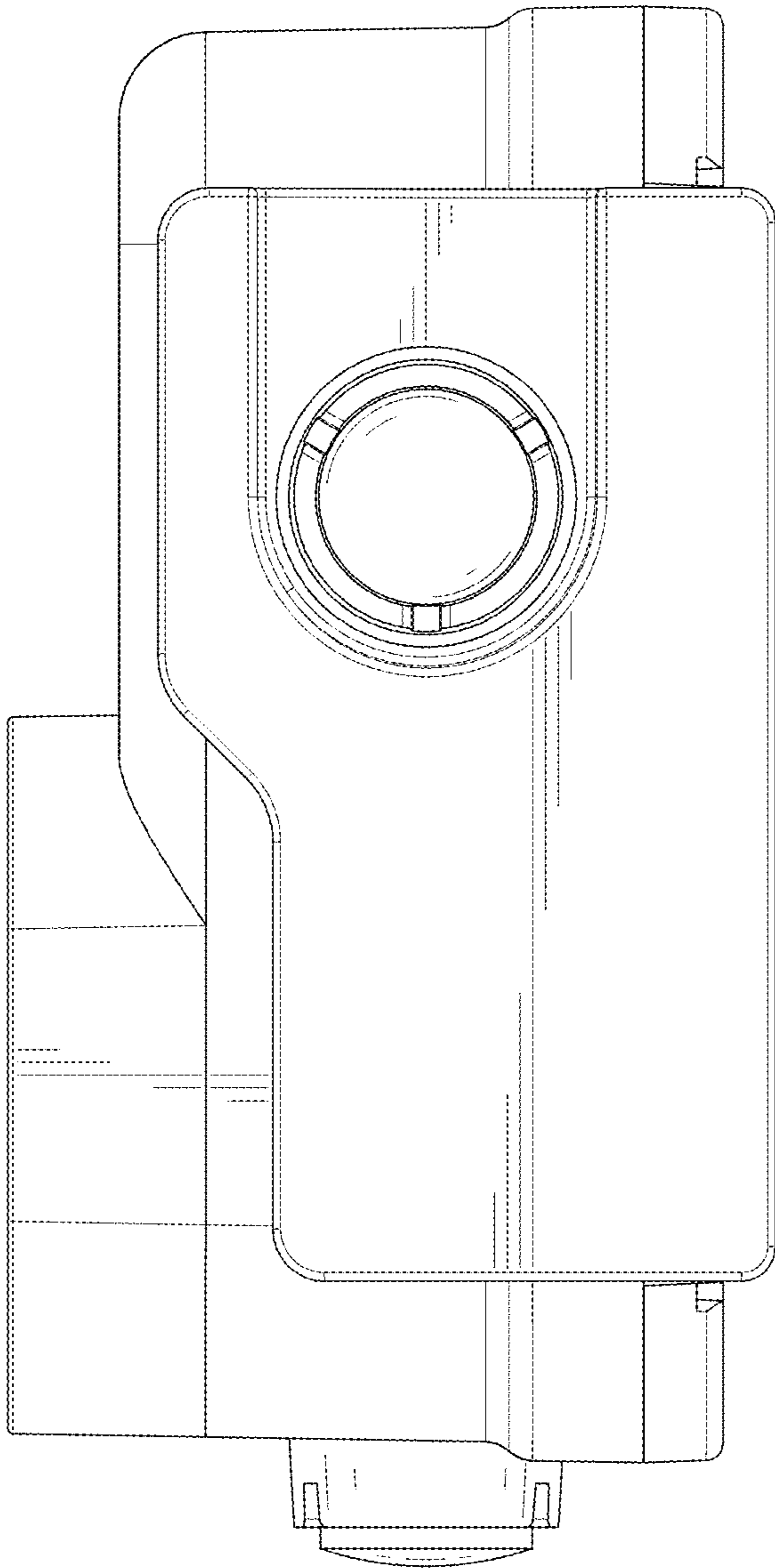


FIG. 8