

US00D975766S

(12) **United States Design Patent**
Cury et al.

(10) **Patent No.:** **US D975,766 S**
(45) **Date of Patent:** **** Jan. 17, 2023**

(54) **CAMERA ENCLOSURE**

(71) Applicant: **EarthCam, Inc.**, Upper Saddle River, NJ (US)

(72) Inventors: **Brian Cury**, Alpine, NJ (US); **Robert Joseph Altieri**, Randolph, NJ (US)

(73) Assignee: **EarthCam, Inc.**, Upper Saddle River, NJ (US)

(**) Term: **15 Years**

(21) Appl. No.: **29/727,720**

(22) Filed: **Mar. 12, 2020**

(51) **LOC (14) Cl.** **16-01**

(52) **U.S. Cl.**
USPC **D16/200**

(58) **Field of Classification Search**
USPC D16/200–203, 208, 217; D10/28, 46,
D10/104.1, 106.1, 106.2, 109.2;
D14/203.1, 204, 474, 496, 510
CPC G03B 17/00; G03B 17/02; G03B 2217/00;
H04N 5/2251; H04N 5/2252; H04N
5/225

See application file for complete search history.

(56) **References Cited**

U.S. PATENT DOCUMENTS

D726,134 S *	4/2015	Prendes	D10/104.1
D741,394 S *	10/2015	Gioscia	D16/200
D750,146 S *	2/2016	Costa	D16/200
D750,680 S *	3/2016	Chen	D16/200
D752,671 S *	3/2016	Harrison	D16/200
D752,672 S *	3/2016	Clearman	D16/200
D911,412 S *	2/2021	Alberstein	D16/200
D912,120 S *	3/2021	Druker	D16/200
2021/0240055 A1 *	8/2021	Cury	G03B 17/08

OTHER PUBLICATIONS

“MOSISO Protective Case Compatible with Fujifilm Instax Mini 11 Instant Camera, Sparkly Glitter Hard Shell Camera Case Cover with Adjustable Rainbow Shoulder Strap, Clear” from Amazon.com, first available Jan. 26, 2022 from the internet <<https://www.amazon.com/dp/B09R72YHTB/>> (Year: 2022).*

“Enclosure, Open, Clear, Surface, Key Lock” from Zoro.com, first retrieved Oct. 5, 2022 from the internet <https://www.zoro.com/safety-technology-international-enclosure-open-clear-surface-key-lock-sti-7510d/i/G8731527/?utm_source=google&utm_medium=surfaces&utm_campaign=shopping%20feed&utm_content=free%20google%20shopping%20clicks&gclid=EAAlQobChMI_auT2JvK-gIVCIvICh1W8wnfEAQYDiABEgJE0PD_BwE> (Year: 2022).*

“TELESIN Action Camera Protective Waterproof Case Cover Underwater 45m Diving Housing Underwater Accessories for GoPro Hero 9” from Aliexpress.com, first retrieved Oct. 5, 2022 from the internet <https://www.aliexpress.us/item/3256801473054397.html?gatewayAdapt=glo2usa4itemAdapt&_randl_shipto=US> (Year: 2022).*

* cited by examiner

Primary Examiner — Elizabeth J Oswecki

Assistant Examiner — Lacey Chey Bowman

(74) *Attorney, Agent, or Firm* — Michael J. Brown

(57) **CLAIM**

The ornamental design for a camera enclosure, as shown and described.

DESCRIPTION

FIG. 1 is a front perspective view of a camera enclosure showing our new design.

FIG. 2 is a left side view thereof.

FIG. 3 is a rear perspective view thereof.

FIG. 4 is a right side view thereof.

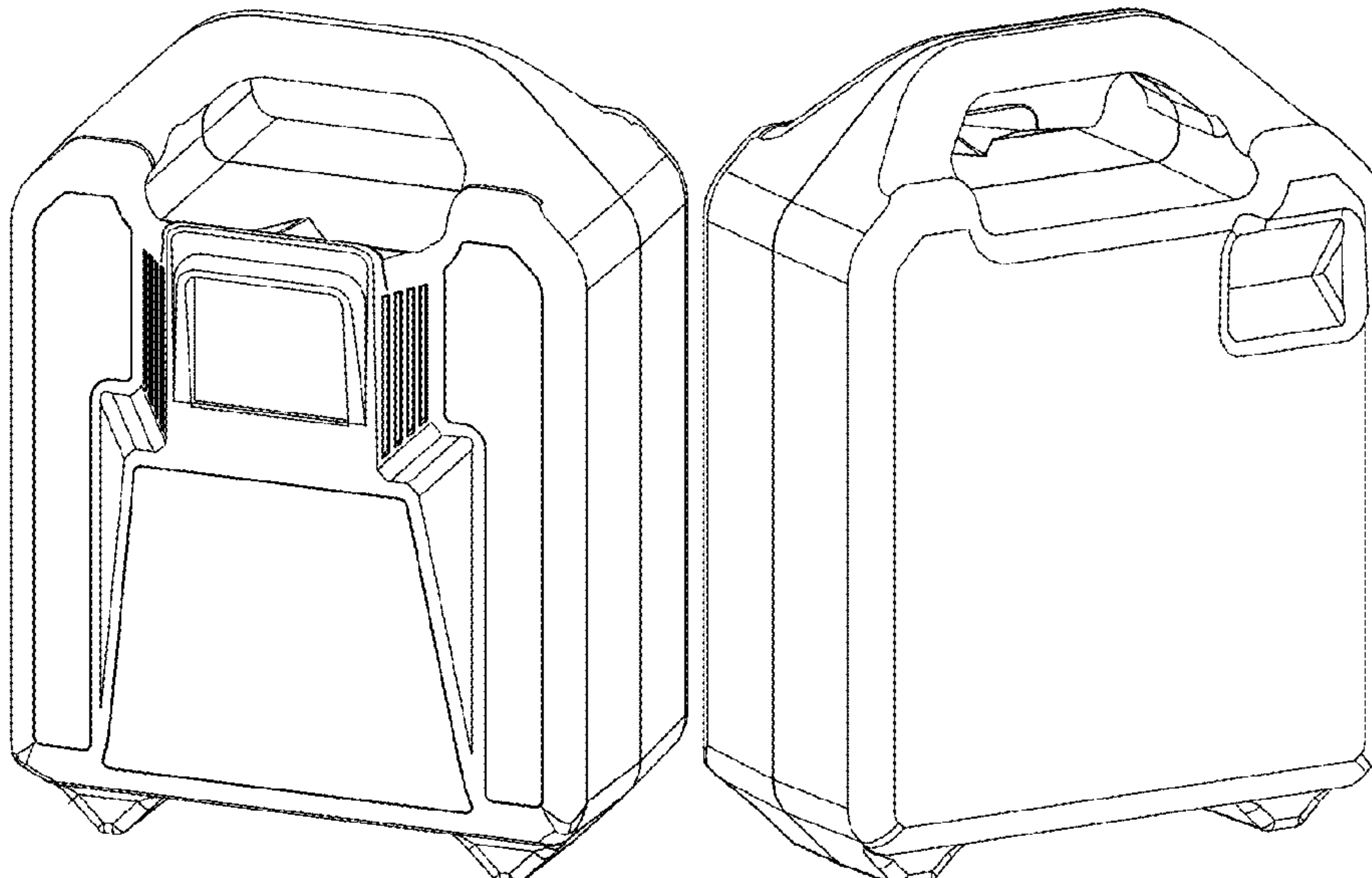
FIG. 5 is a front view thereof.

FIG. 6 is a rear view thereof.

FIG. 7 is a bottom view thereof; and,

FIG. 8 is a top view thereof.

1 Claim, 8 Drawing Sheets



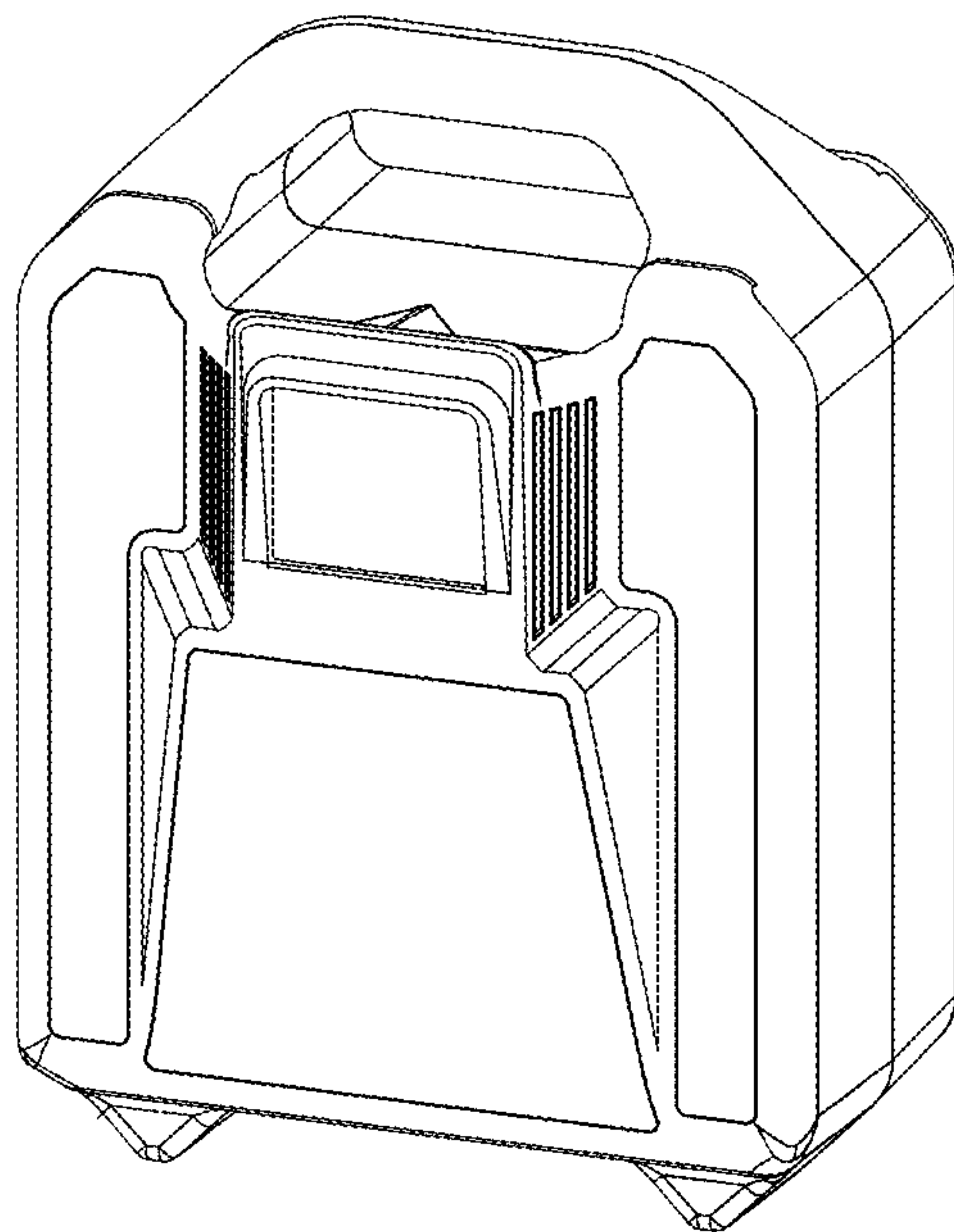


Fig. 1

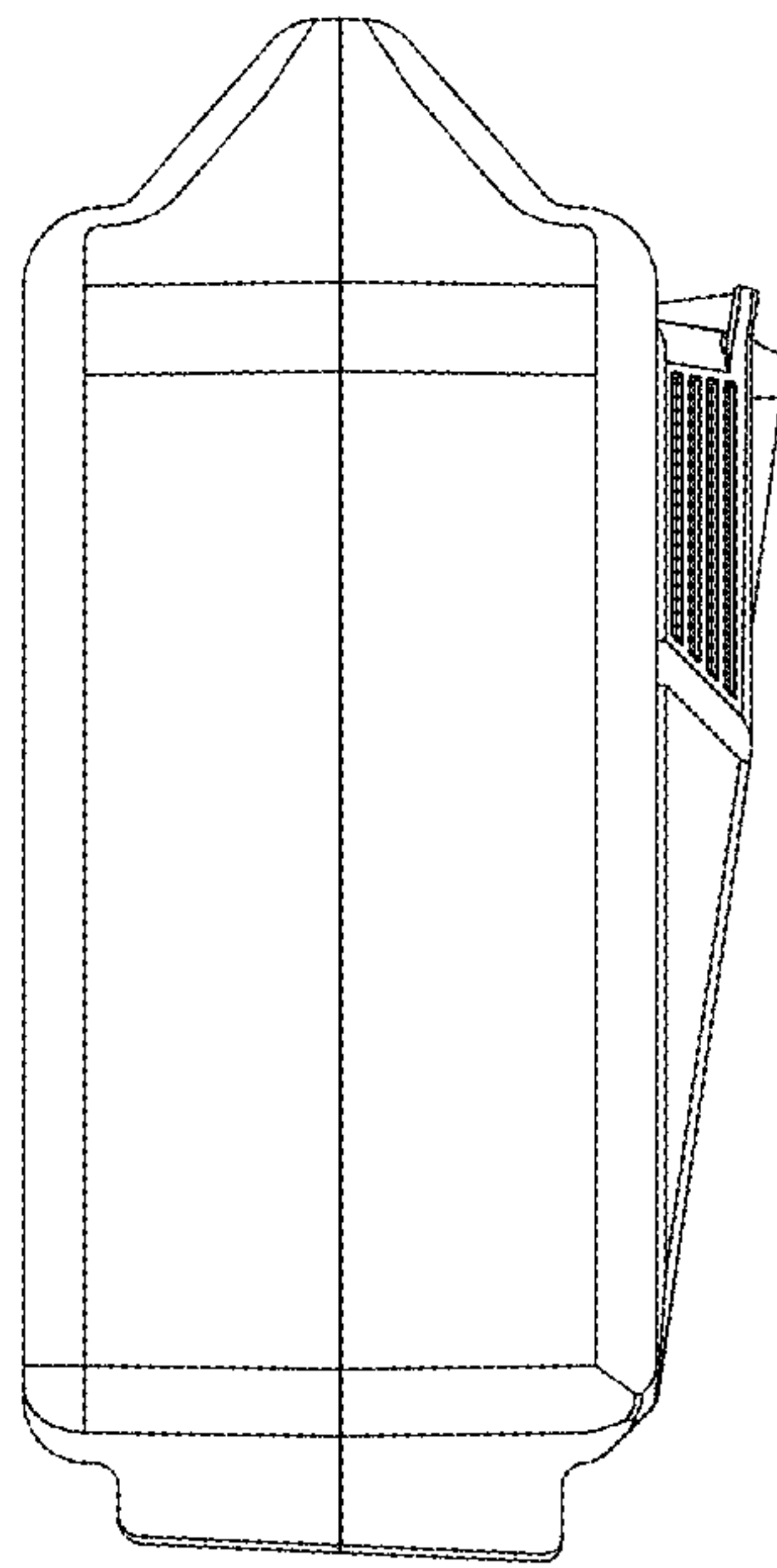


Fig. 2

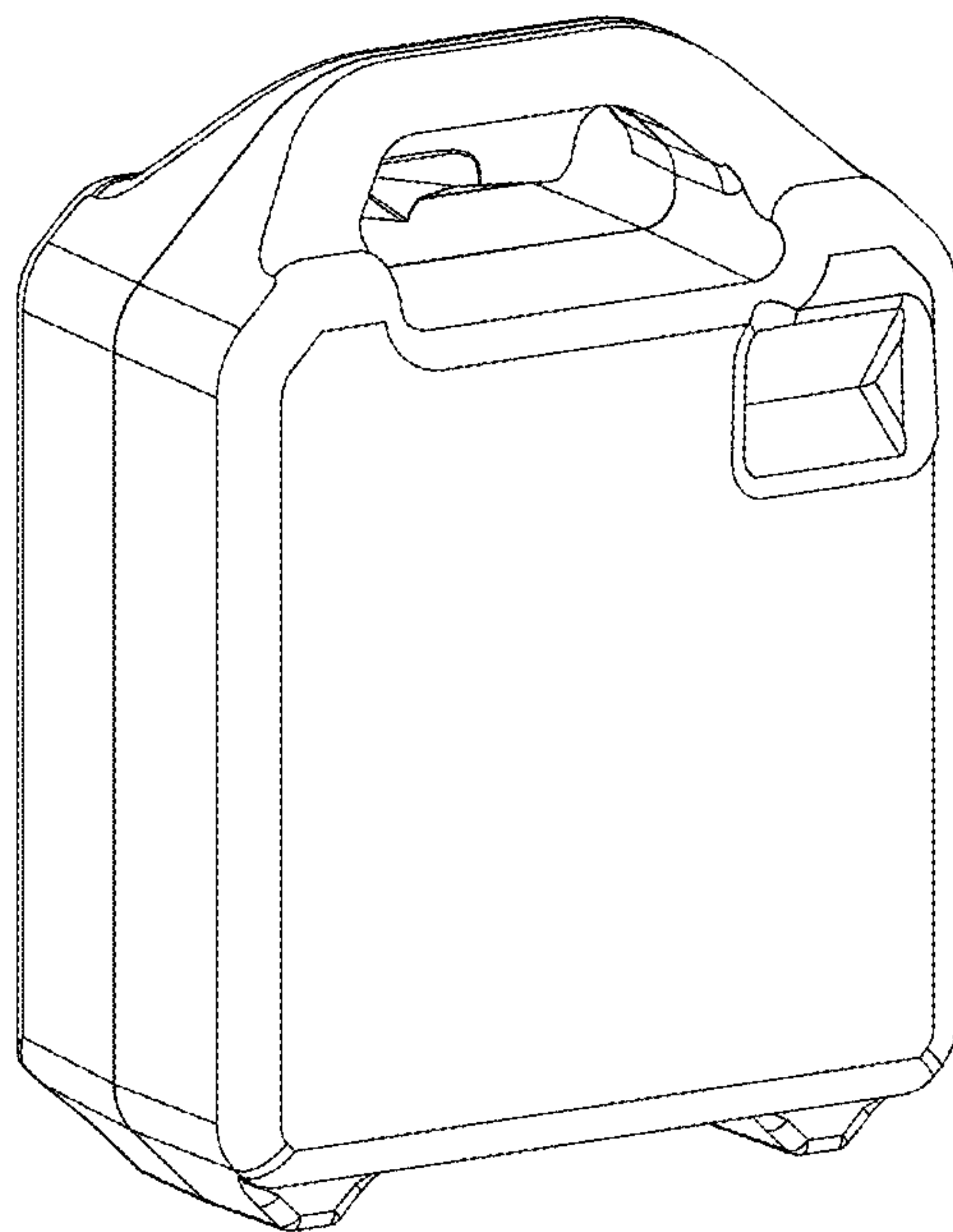


Fig. 3

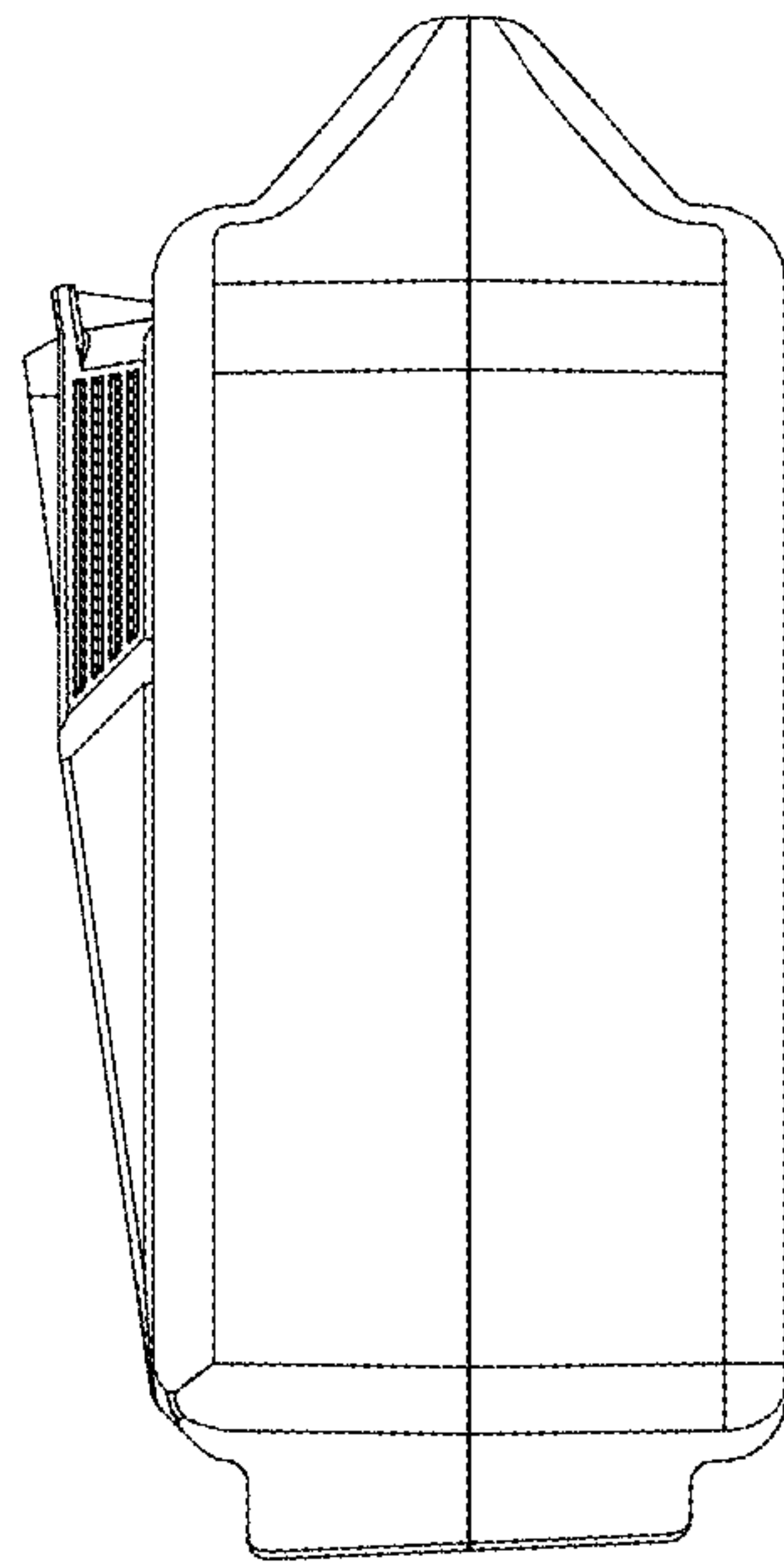


Fig. 4

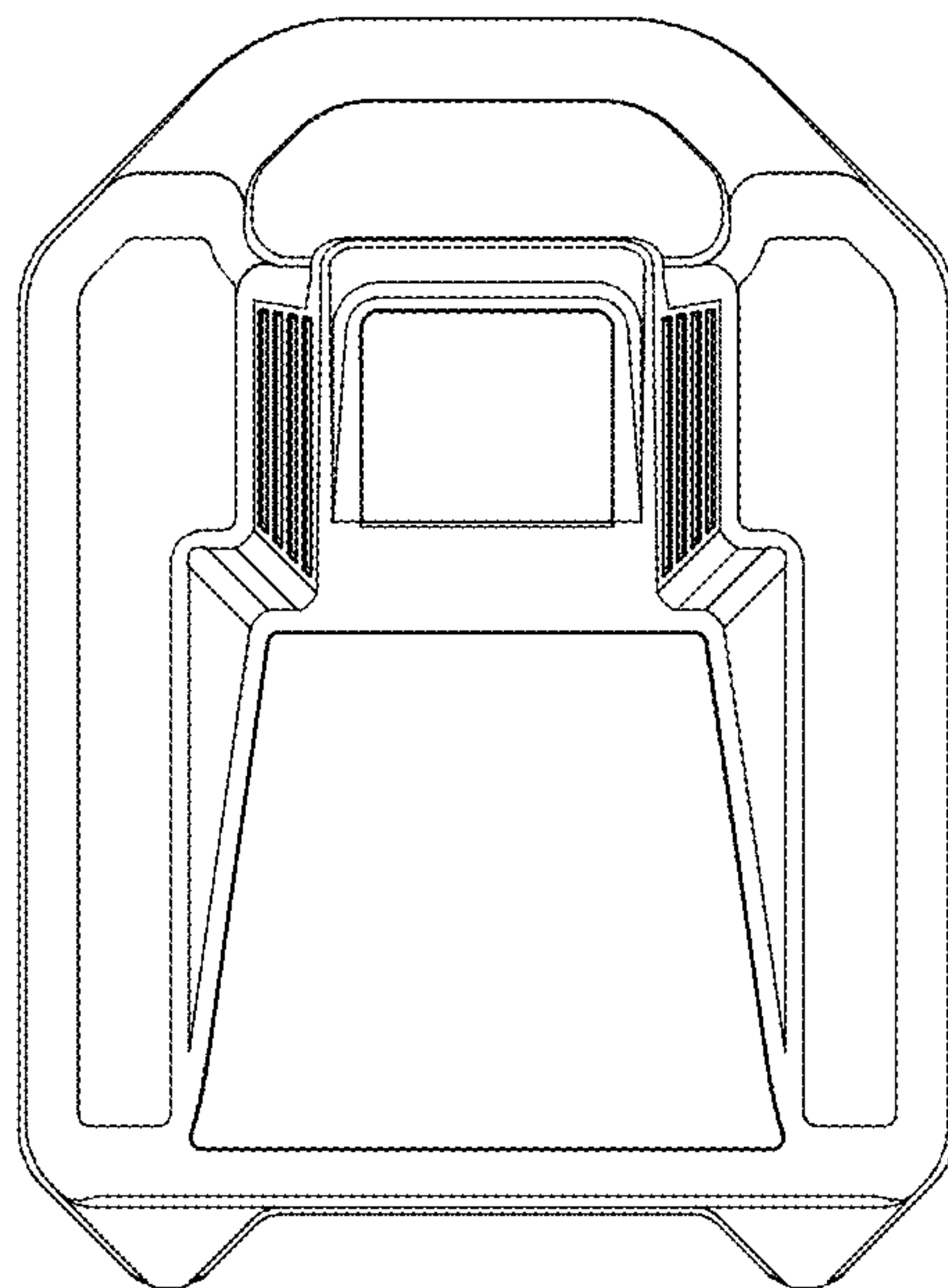


Fig. 5

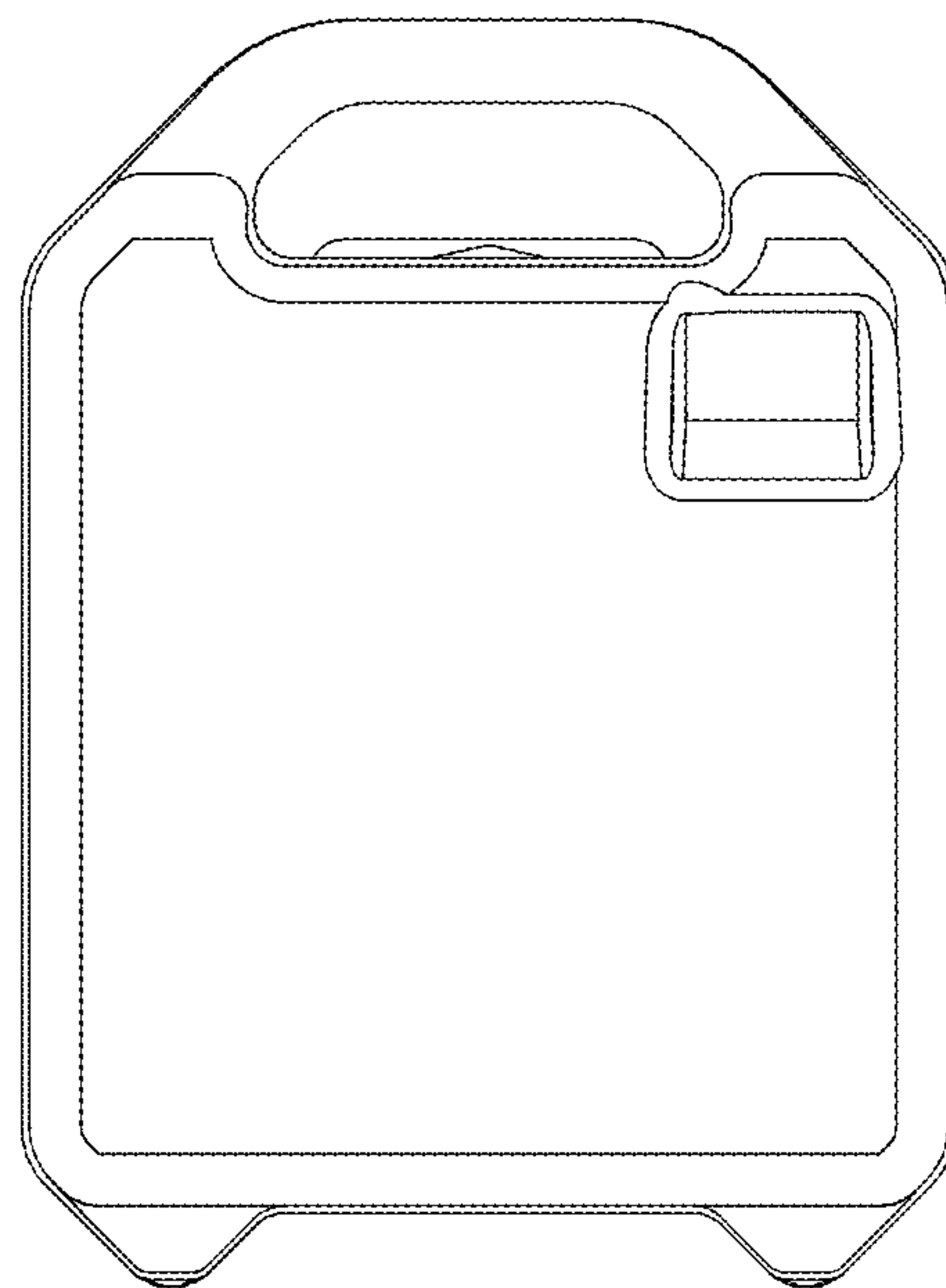


Fig. 6

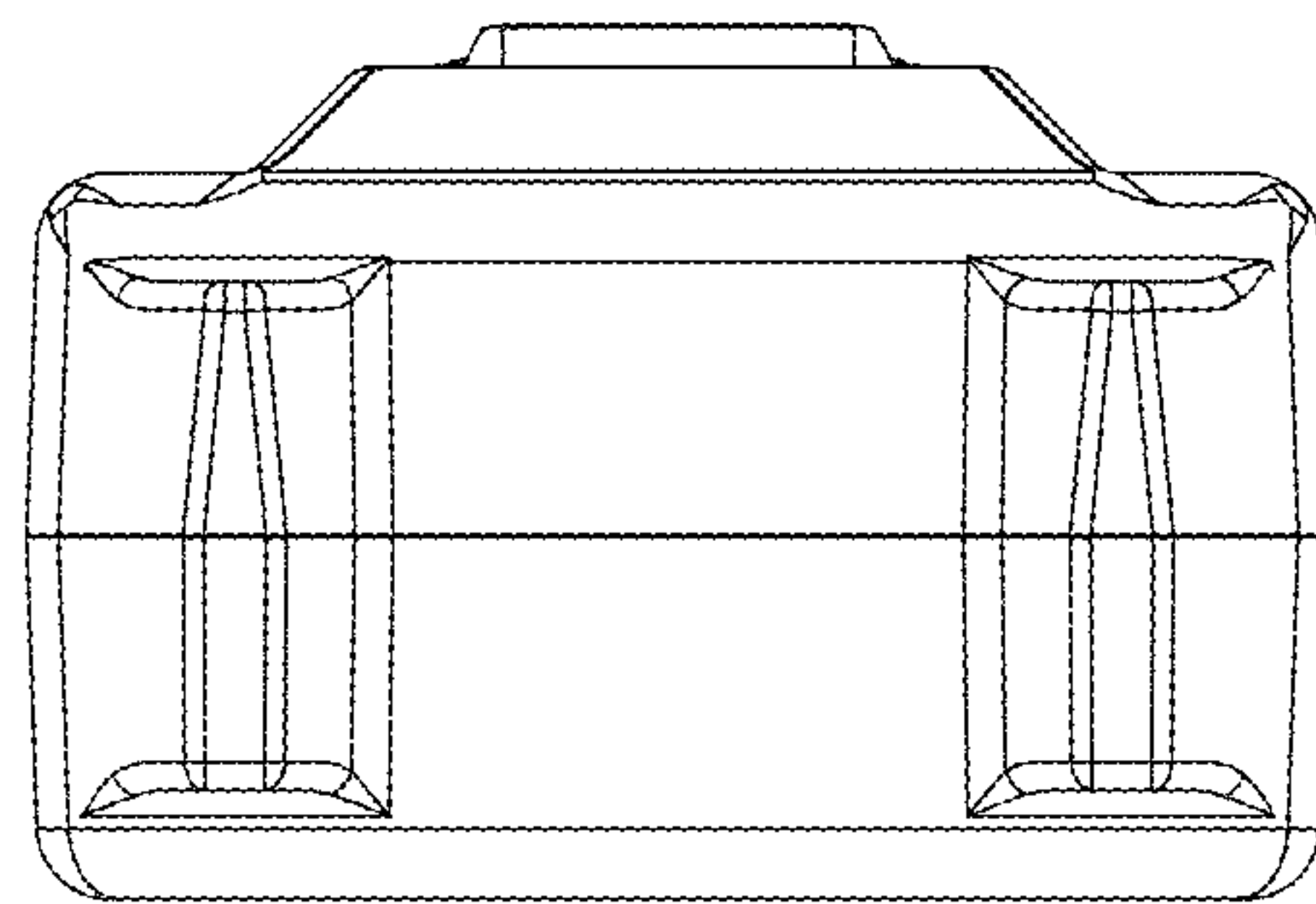


Fig. 7

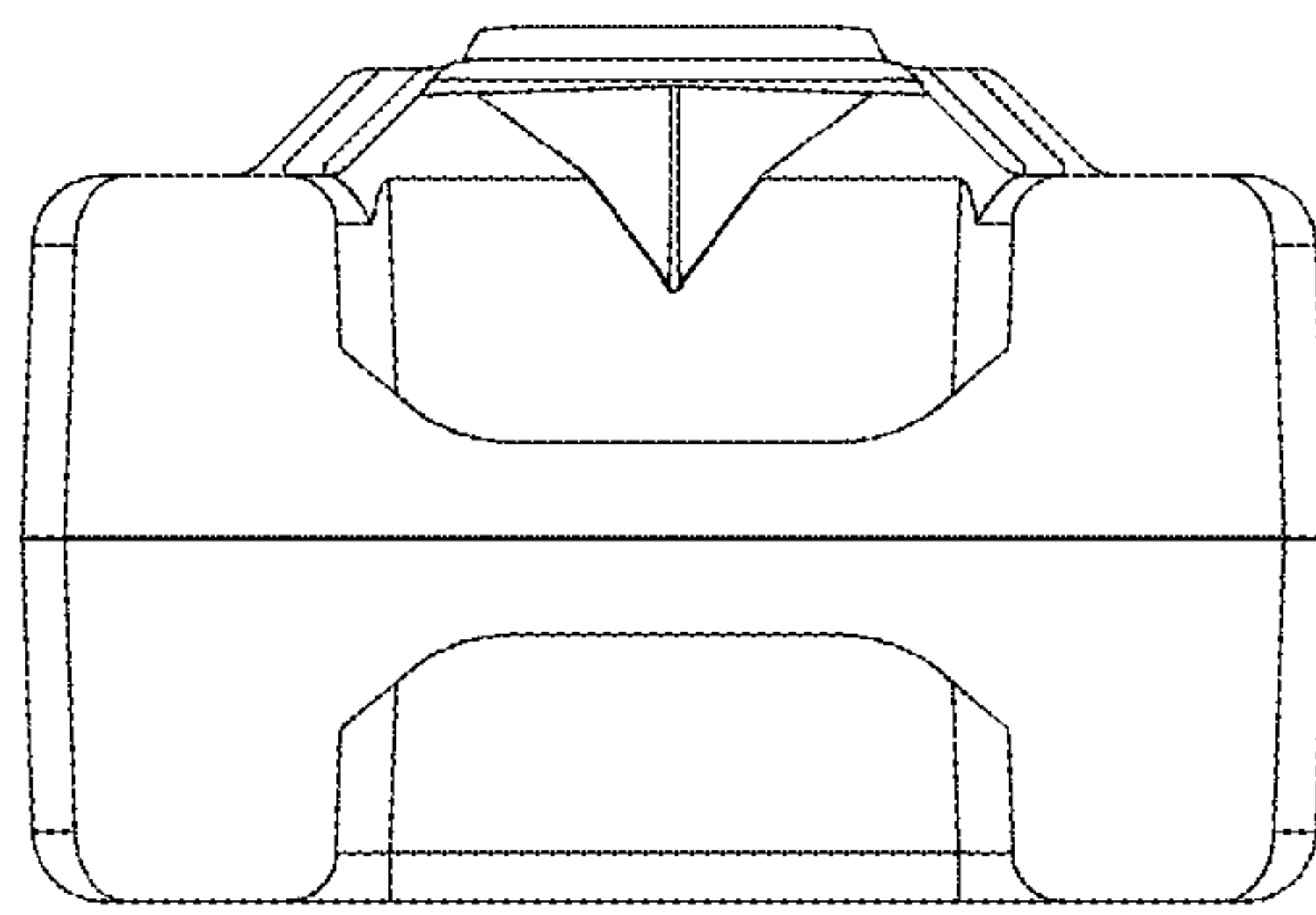


Fig. 8