



US00D975765S

(12) **United States Design Patent** (10) **Patent No.:** **US D975,765 S**
Chen (45) **Date of Patent:** **** Jan. 17, 2023**

(54) **REMOTE CONTROL ROBOT**
(71) Applicant: **Jinhao Chen**, Shantou (CN)
(72) Inventor: **Jinhao Chen**, Shantou (CN)
(**) Term: **15 Years**
(21) Appl. No.: **29/785,961**
(22) Filed: **May 28, 2021**
(51) **LOC (14) Cl.** **15-99**
(52) **U.S. Cl.**
USPC **D15/199**
(58) **Field of Classification Search**
USPC D15/199; D21/578-583, 621, 622;
D32/21; D34/34
CPC ... A63H 11/00; B25J 5/007; B25J 9/00; B25J
11/00; B25J 11/008; B62D 57/024; G06N
3/008; Y10S 901/01
See application file for complete search history.

8,587,715 B2 * 11/2013 Takeda H04N 13/239
396/347
D711,479 S * 8/2014 Lee D15/199
D712,984 S * 9/2014 Lee D15/199
D713,477 S * 9/2014 Lee D15/199
D818,020 S * 5/2018 McGinn D15/199
D823,917 S * 7/2018 Bernazeau D21/578
D837,855 S * 1/2019 Chen B25J 11/008
D15/199
D839,333 S * 1/2019 Chao D15/199
D841,711 S * 2/2019 Liu D15/199
D842,353 S * 3/2019 Lee D15/199
D852,286 S * 6/2019 Chen D21/578
D879,854 S * 3/2020 Lu D15/199
D884,043 S * 5/2020 Song D15/199
D907,132 S * 1/2021 Lin D21/578
D909,441 S * 2/2021 Zhao D15/199
D912,118 S * 3/2021 Day D15/199
D920,411 S * 5/2021 Zheng D15/199
D922,464 S * 6/2021 Xin D15/199

(Continued)

Primary Examiner — Patricia A Palasik
(74) Attorney, Agent, or Firm — Rumit R. Kanakia

(57) **CLAIM**

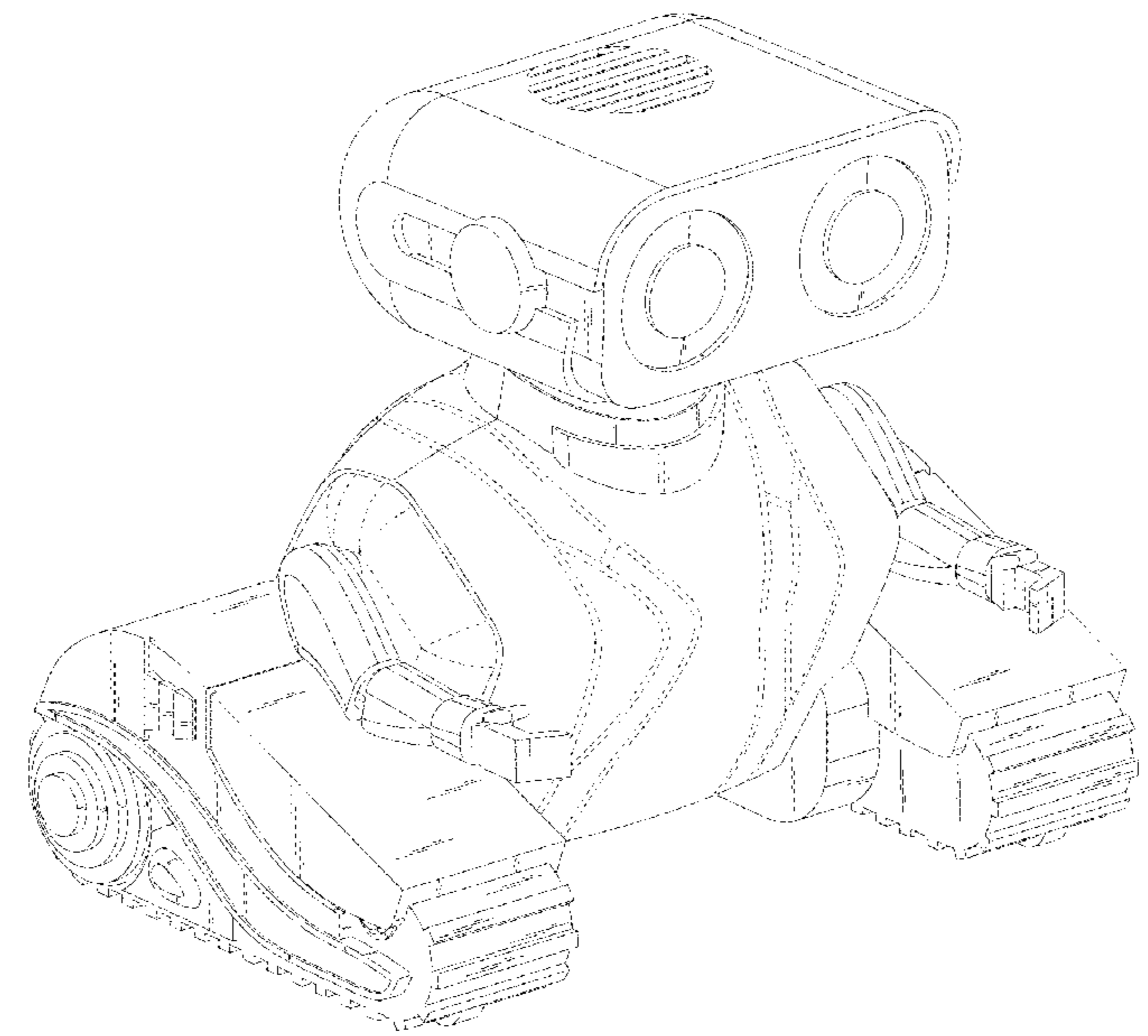
The ornamental design for a remote control robot, as shown and described.

DESCRIPTION

FIG. 1 is a perspective view of a remote control robot showing my new design;
FIG. 2 is a top view thereof;
FIG. 3 is a left side view thereof;
FIG. 4 is a front view thereof;
FIG. 5 is a right side view thereof;
FIG. 6 is a back view thereof; and,
FIG. 7 is a bottom view thereof.
The broken lines shown in the drawings depict portions of the remote control robot in which the design is embodied that form no part of the claimed design.

1 Claim, 7 Drawing Sheets

(56) **References Cited**
U.S. PATENT DOCUMENTS
4,051,623 A * 10/1977 Ogawa A63H 11/00
901/1
4,282,677 A * 8/1981 Abe A63H 3/48
901/14
D290,032 S * 5/1987 Horiuchi D21/578
4,673,371 A * 6/1987 Furukawa A63H 11/00
446/175
D293,345 S * 12/1987 Takizawa D21/578
D296,347 S * 6/1988 Kanoh D21/578
D298,766 S * 11/1988 Tanno D21/578
D304,962 S * 12/1989 Watanabe D21/578
D307,305 S * 4/1990 Horiuchi D21/531
6,604,021 B2 * 8/2003 Imai G06N 3/008
700/56
D561,214 S 2/2008 Mitchell
D561,215 S 2/2008 Mitchell
D561,795 S 2/2008 Mitchell



(56)

References Cited

U.S. PATENT DOCUMENTS

D928,211 S * 8/2021 Boucard D15/199
D937,364 S * 11/2021 Cai D15/199
D956,842 S * 7/2022 Lee B25J 9/1694
D15/199
D958,860 S * 7/2022 Delaunay D15/199
2010/0263948 A1 * 10/2010 Couture B62D 55/075
180/9.1
2013/0078888 A1 * 3/2013 Mayer A63H 33/003
446/433
2019/0031259 A1 * 1/2019 Aramayo, II B62D 57/022

* cited by examiner

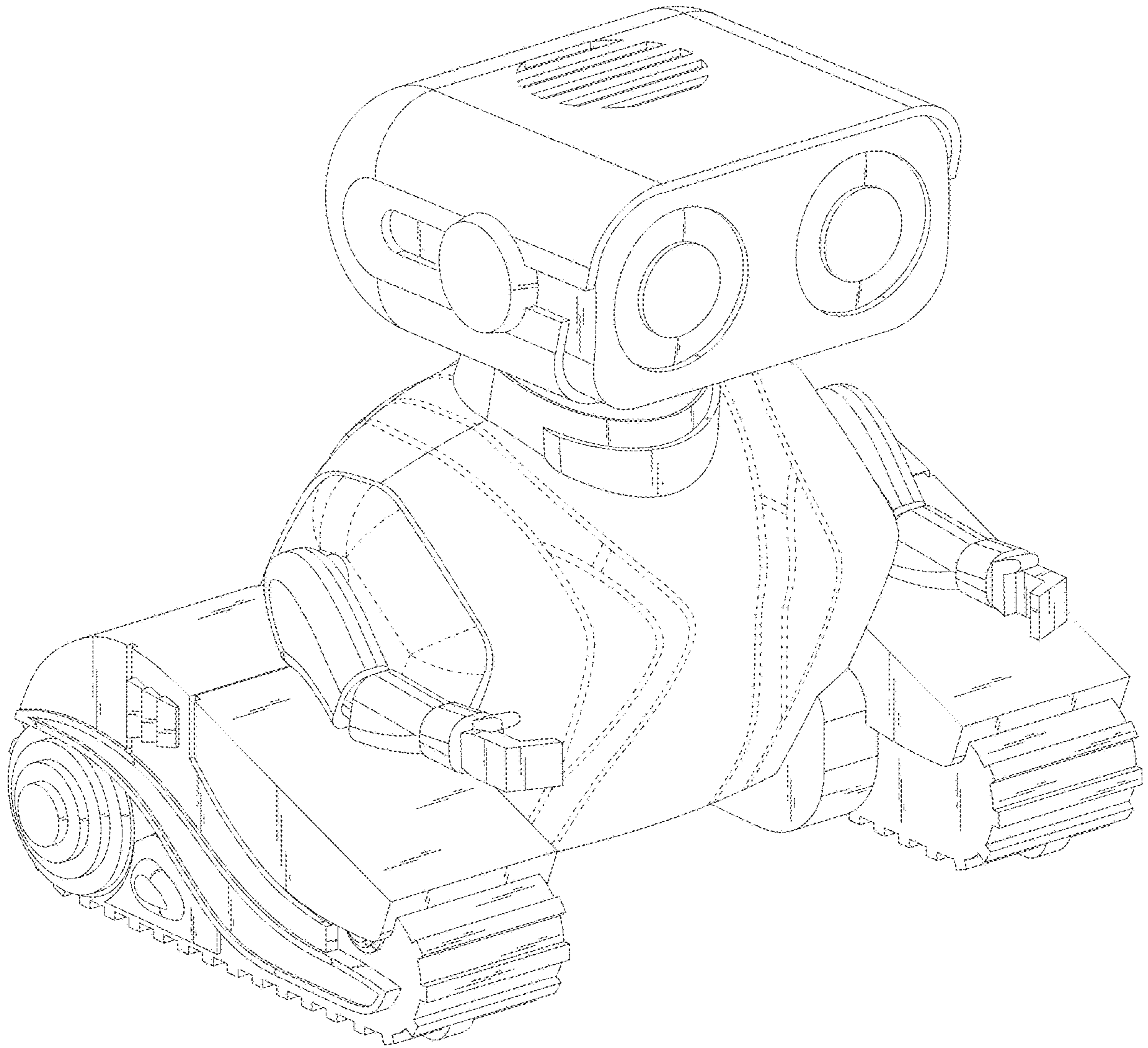


FIG. 1

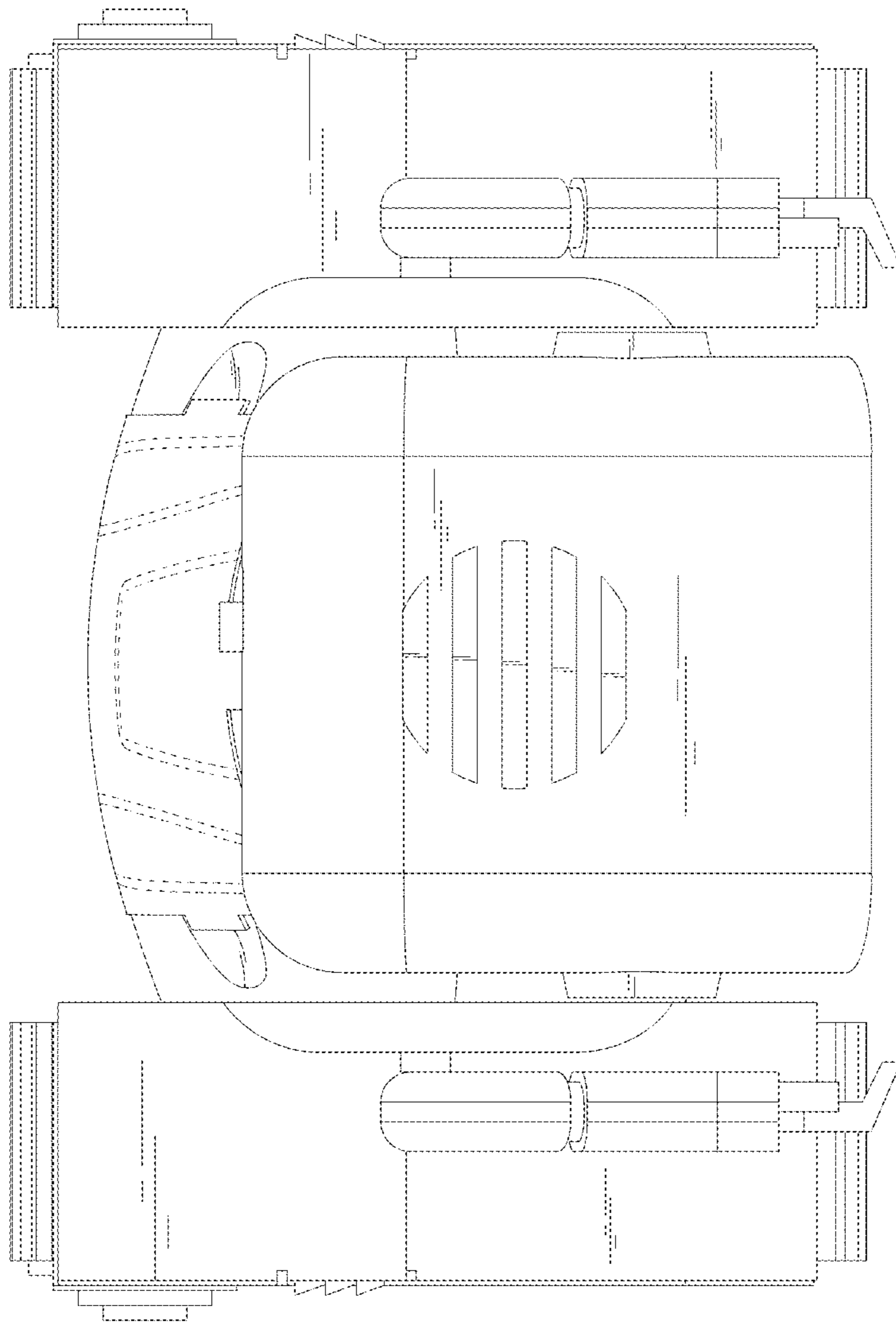


FIG. 2

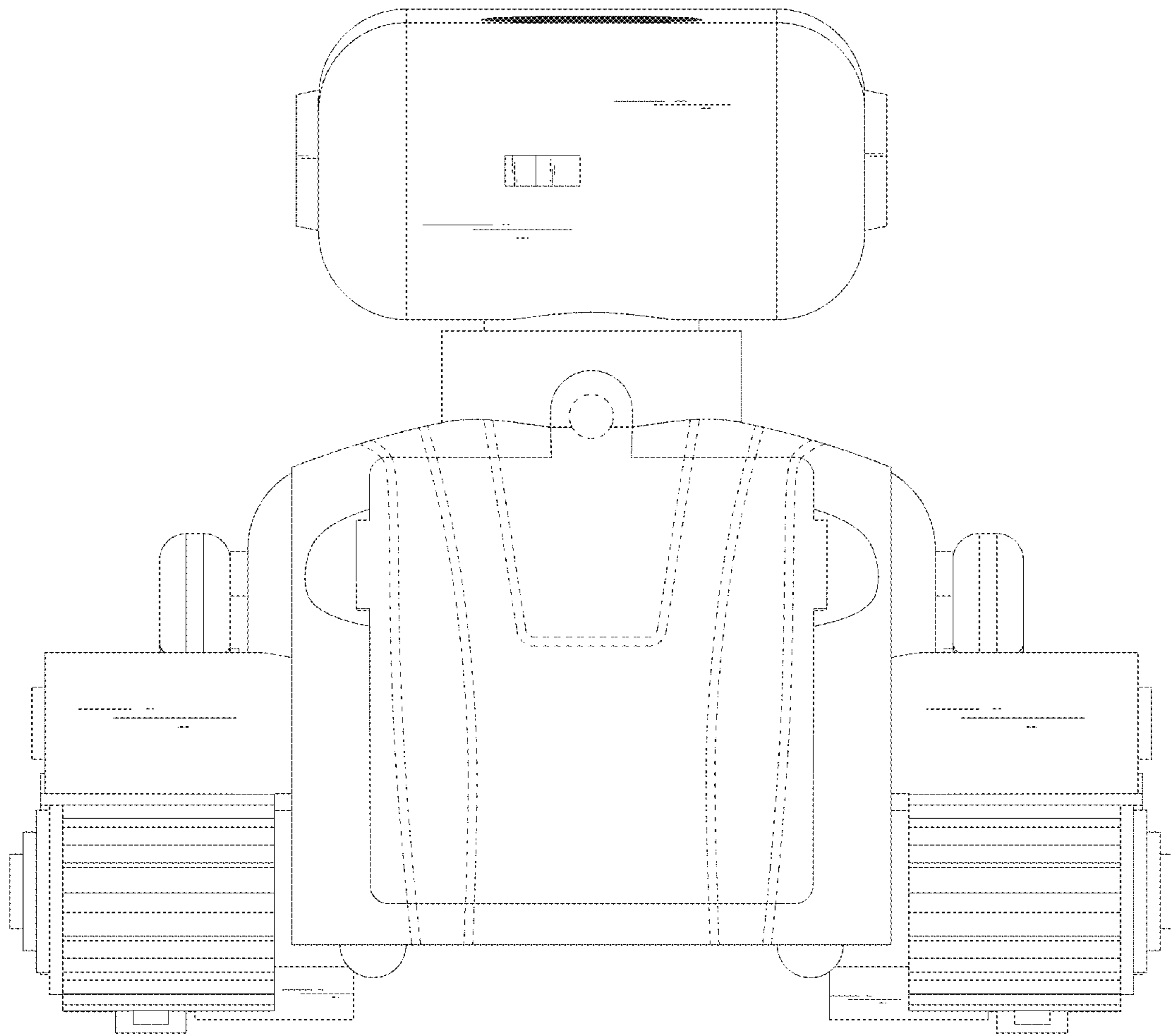


FIG. 3

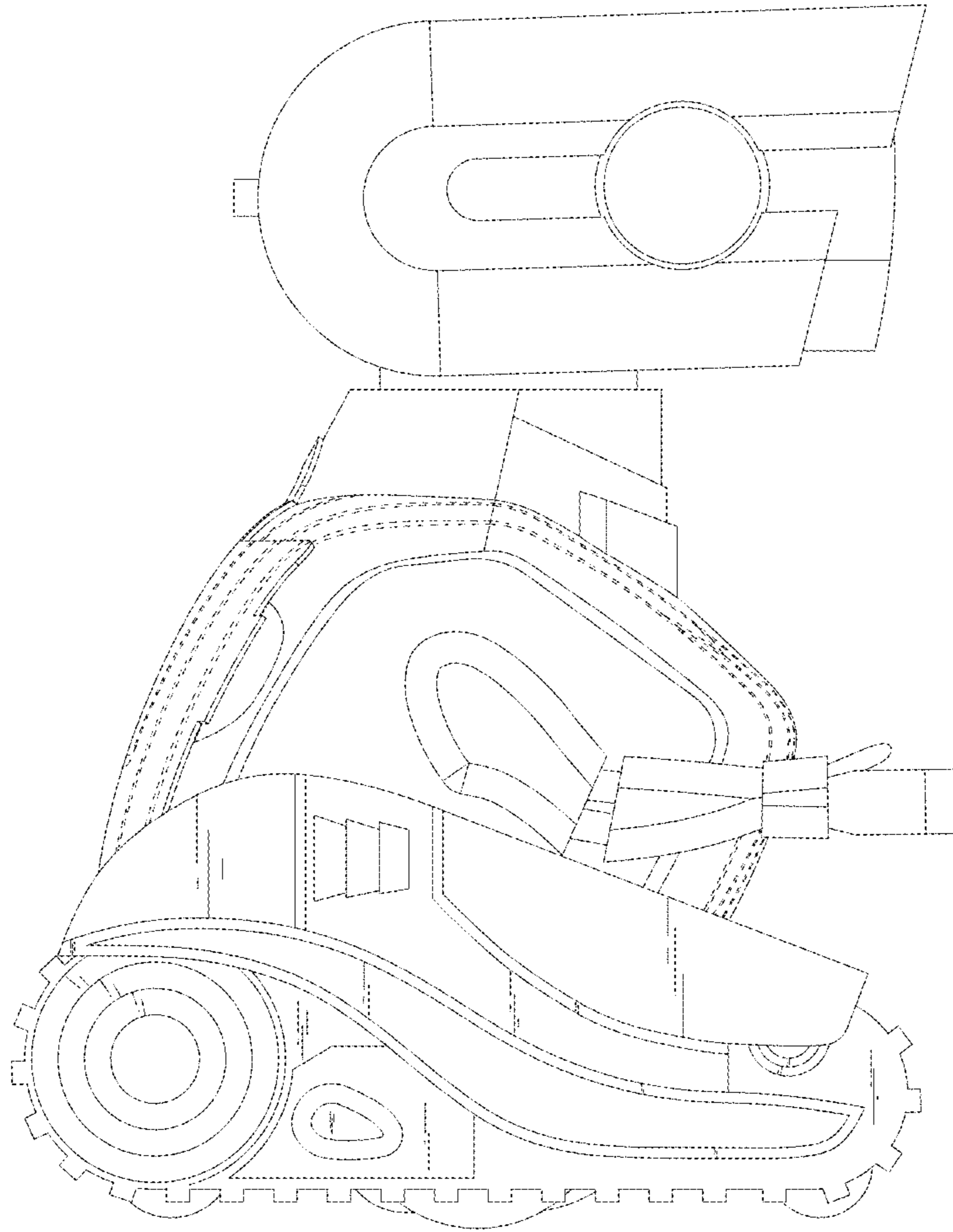


FIG. 4

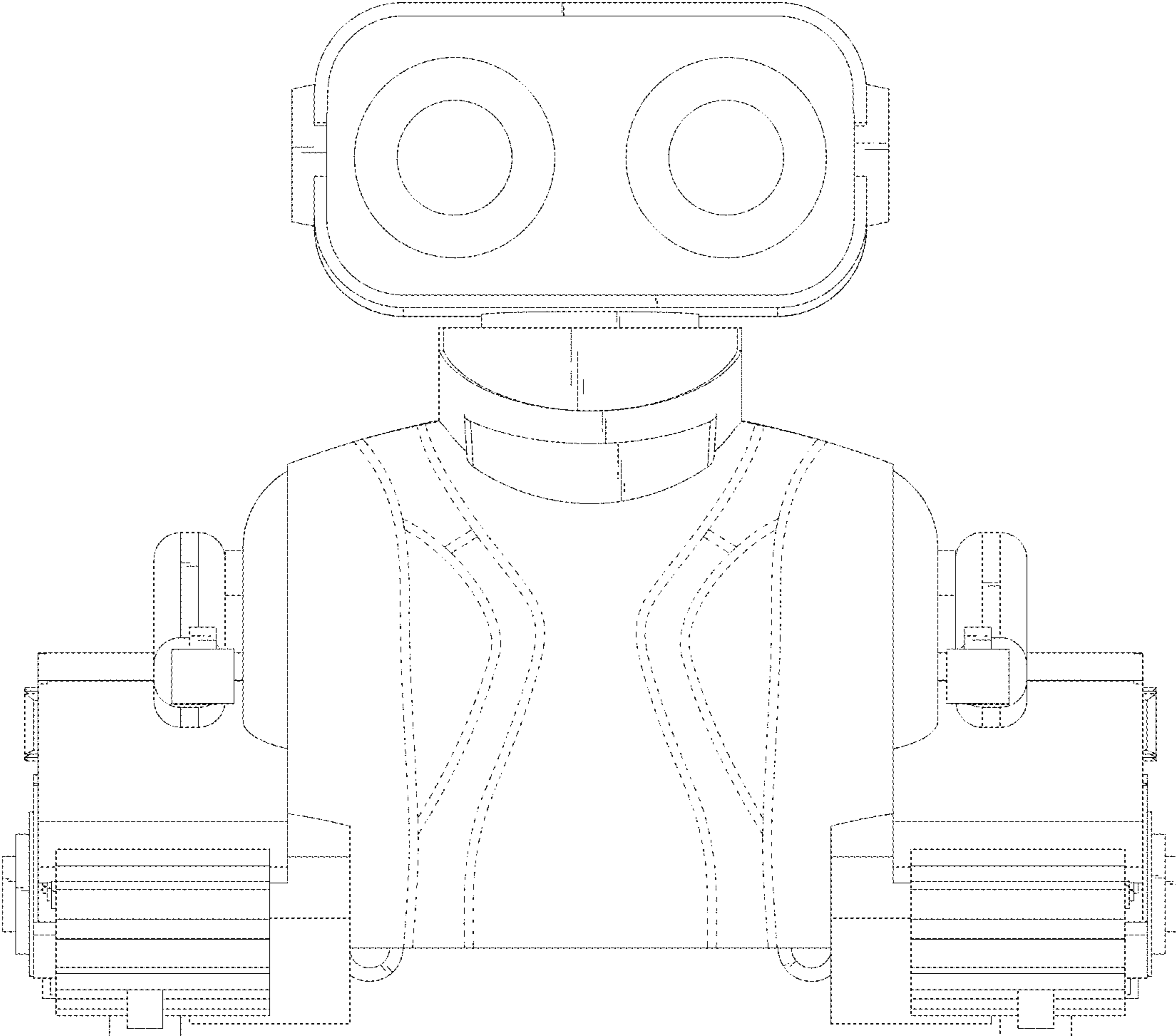


FIG. 5

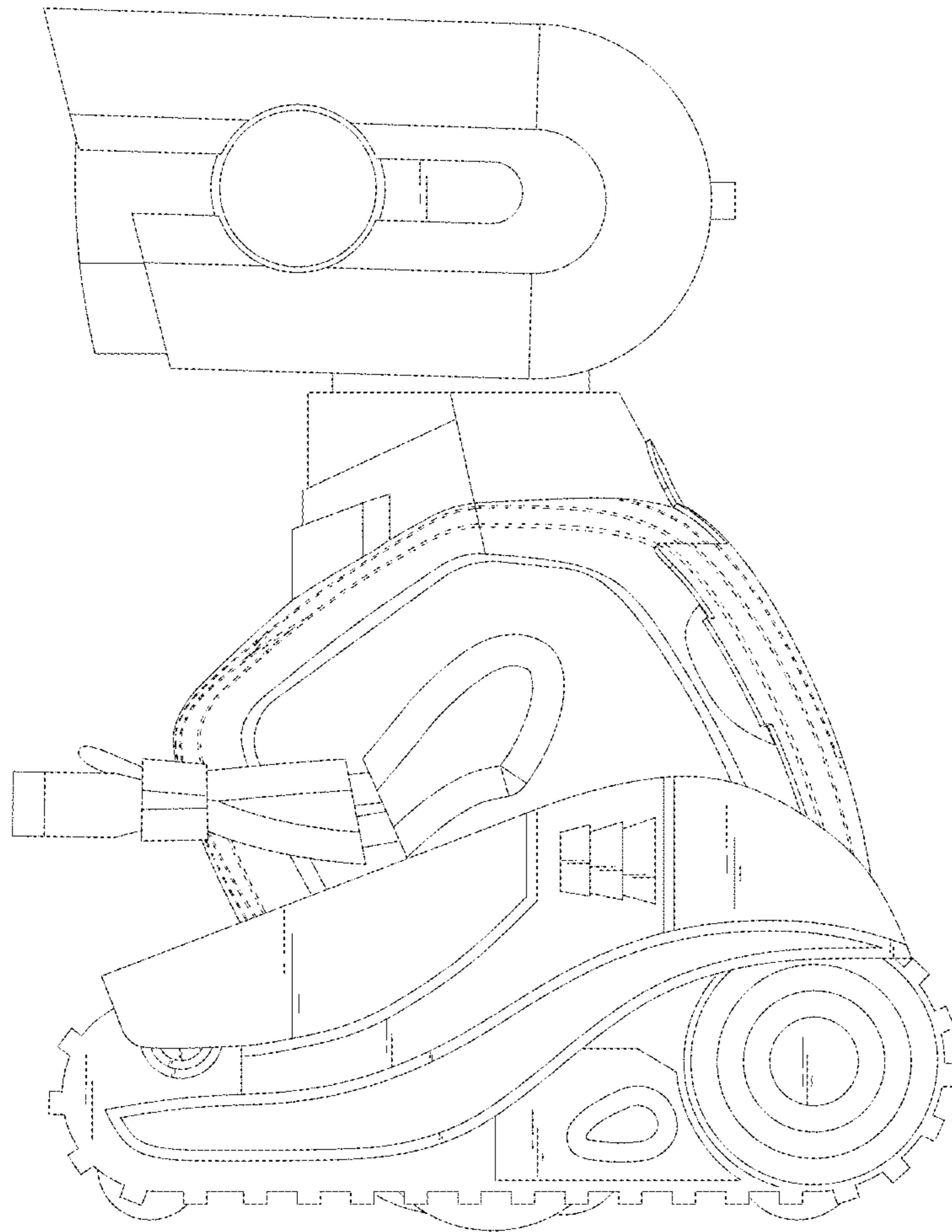


FIG. 6

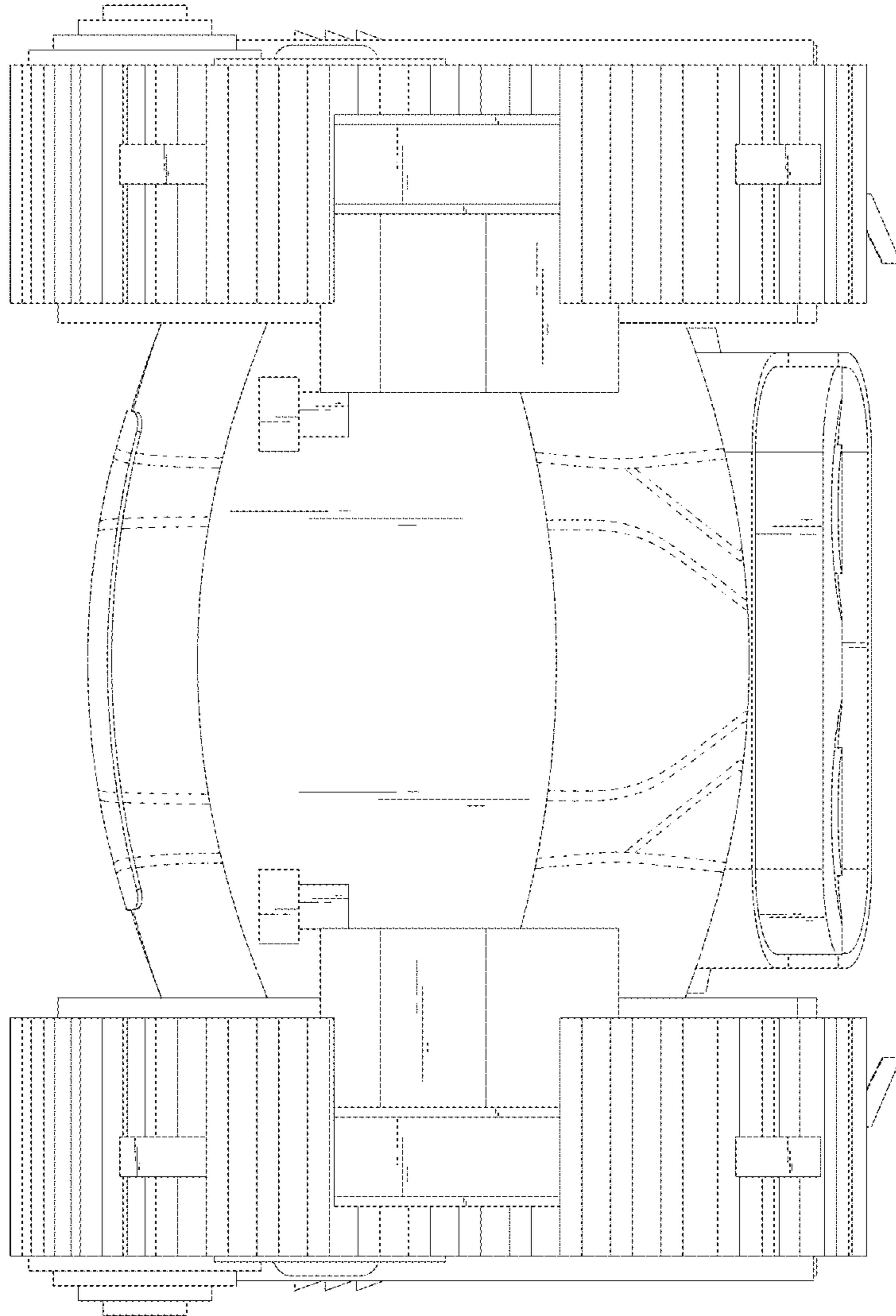


FIG. 7