

US00D975764S

(12) **United States Design Patent**
Yang

(10) **Patent No.:** **US D975,764 S**
(45) **Date of Patent:** **** Jan. 17, 2023**

(54) **VACUUM SEALING MACHINE**
(71) Applicant: **Heyun Yang**, Guangdong (CN)
(72) Inventor: **Heyun Yang**, Guangdong (CN)
(**) Term: **15 Years**
(21) Appl. No.: **29/797,299**
(22) Filed: **Jun. 30, 2021**
(51) **LOC (14) Cl.** **15-09**
(52) **U.S. Cl.**
USPC **D15/146**
(58) **Field of Classification Search**
USPC D15/145, 146; D18/50
CPC B23C 63/0065; B23C 63/0091; B23C
63/1018; B65B 31/046; B65B 31/047;
B65B 31/048; B65B 51/10
See application file for complete search history.

7,204,067 B2 * 4/2007 Baptista B65B 51/146
53/434
7,207,160 B2 * 4/2007 Baptista B65B 31/046
53/405
7,392,641 B2 * 7/2008 Abate B65B 31/046
53/374.9
7,540,127 B2 * 6/2009 Sung B65B 31/046
53/434
D618,716 S * 6/2010 Huang D15/146
D633,118 S * 2/2011 Beatty D15/146
D663,331 S * 7/2012 Day D15/146
D682,328 S * 5/2013 Day D15/146
D682,329 S * 5/2013 Day D15/146
D686,649 S * 7/2013 Zhou D15/146
D694,794 S * 12/2013 Cumming D15/146
D763,334 S * 8/2016 Yoshitomi D15/146
9,776,327 B2 * 10/2017 Pinter B25J 9/1676
D847,226 S * 4/2019 Owens D15/134
D854,065 S * 7/2019 Owens D15/146
D864,271 S * 10/2019 Lai D15/199
D866,624 S * 11/2019 Choi D15/146

(Continued)

Primary Examiner — Patricia A Palasik

(56) **References Cited**

U.S. PATENT DOCUMENTS

D215,568 S * 10/1969 Kellogg D15/146
D249,526 S * 9/1978 Kishida D15/146
4,156,382 A * 5/1979 Baker B29C 66/861
156/510
4,561,925 A * 12/1985 Skerjanec B29C 66/861
156/379.6
D301,238 S * 5/1989 Makihara D15/146
4,941,310 A * 7/1990 Kristen B65B 31/046
53/512
D342,532 S * 12/1993 Deni D15/146
D354,966 S * 1/1995 Lim D15/145
D364,882 S * 12/1995 Junkers D15/199
D510,369 S * 10/2005 Presta D15/146
7,003,928 B2 * 2/2006 Patterson B65B 31/06
53/405
7,124,557 B2 * 10/2006 Small B65B 31/046
53/510
D536,355 S * 2/2007 Levsen D15/146

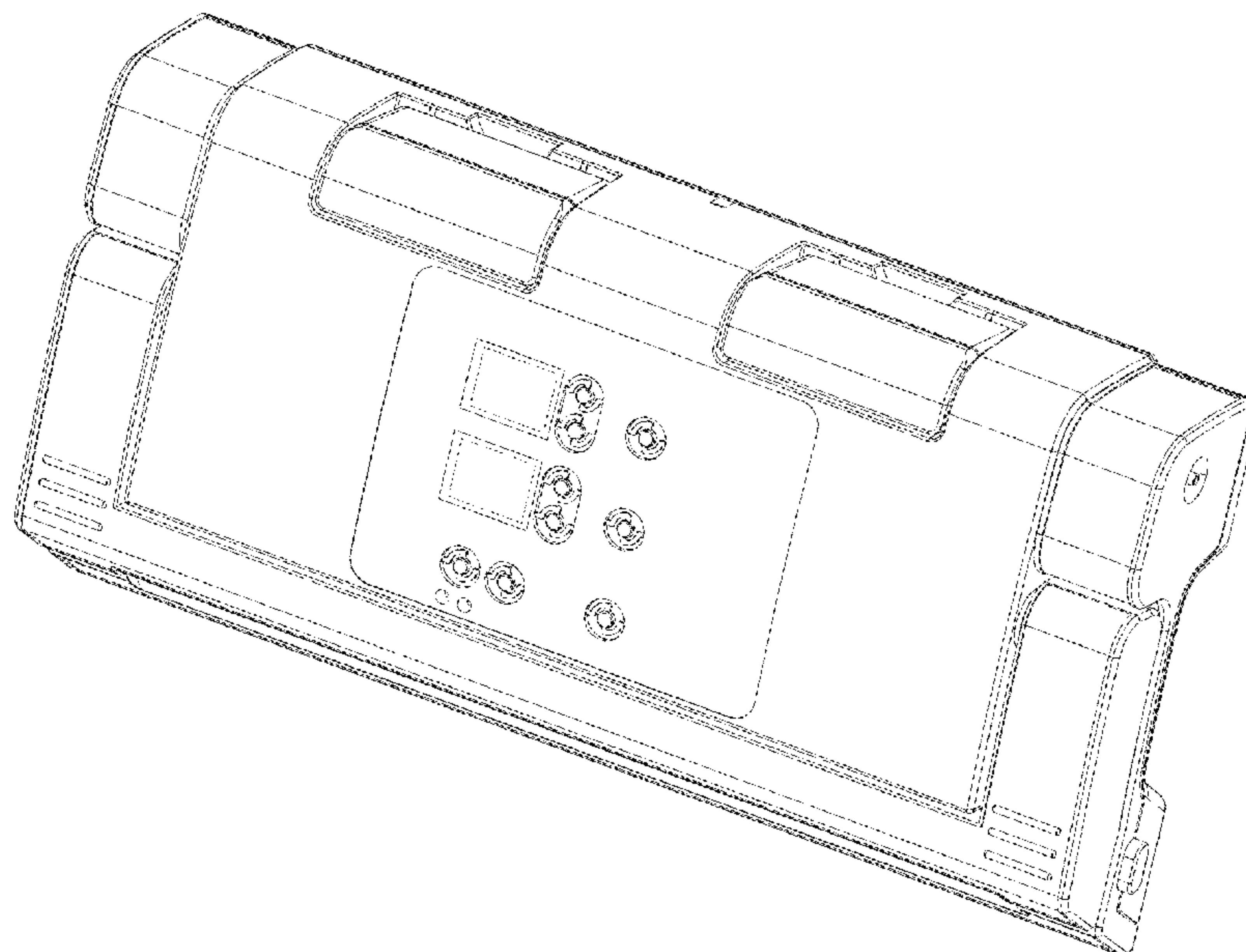
(57) **CLAIM**

The ornamental design for a vacuum sealing machine, as shown and described.

DESCRIPTION

FIG. 1 is a front elevational view of a vacuum sealing machine showing my new design;
FIG. 2 is a rear elevational view thereof;
FIG. 3 is a left side view thereof;
FIG. 4 is a right side view thereof;
FIG. 5 is a top plan view thereof;
FIG. 6 is a bottom plan view thereof;
FIG. 7 is a perspective view thereof; and,
FIG. 8 is another perspective view thereof.
The broken line portions shown in the vacuum sealing machine form no part of the claimed design.

1 Claim, 8 Drawing Sheets



(56)

References Cited

U.S. PATENT DOCUMENTS

D871,470	S	*	12/2019	Xu	D15/146
D910,100	S	*	2/2021	Qiu	D15/146
D910,726	S	*	2/2021	Sun	D15/146
D912,710	S	*	3/2021	Choi	D15/146
D924,290	S	*	7/2021	Eurich	D15/146
D936,717	S	*	11/2021	Chen	D15/146
D937,919	S	*	12/2021	Chen	D15/146
2005/0022480	A1	*	2/2005	Brakes	B65B 31/00
						53/512
2018/0049613	A1	*	2/2018	Tsuboi	G05D 1/0219
2019/0176326	A1	*	6/2019	Bingham	B25J 9/161
2020/0091565	A1	*	3/2020	Väin	B60L 53/35
2021/0031361	A1	*	2/2021	Morey	F16H 1/28

* cited by examiner

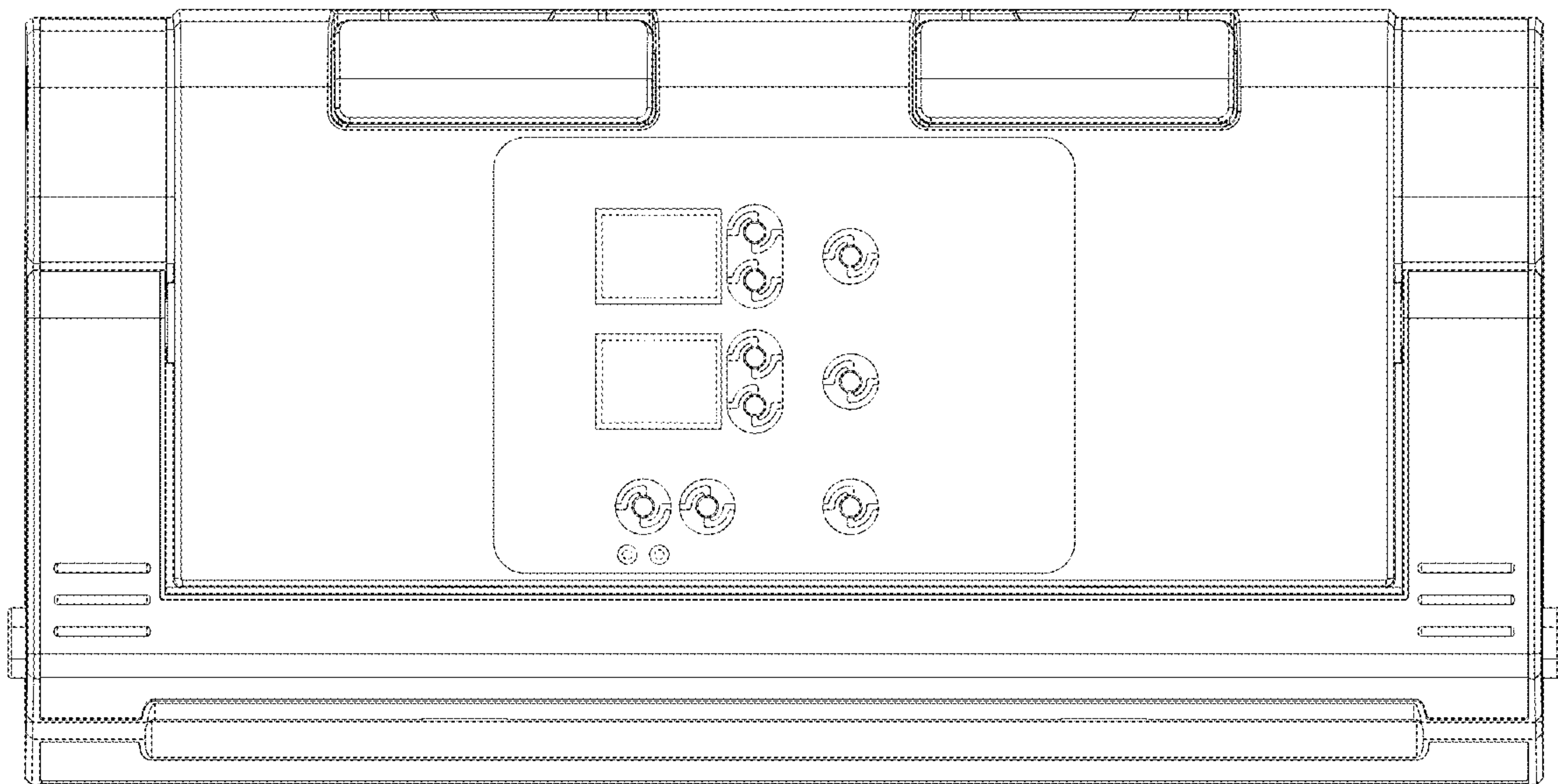


FIG. 1

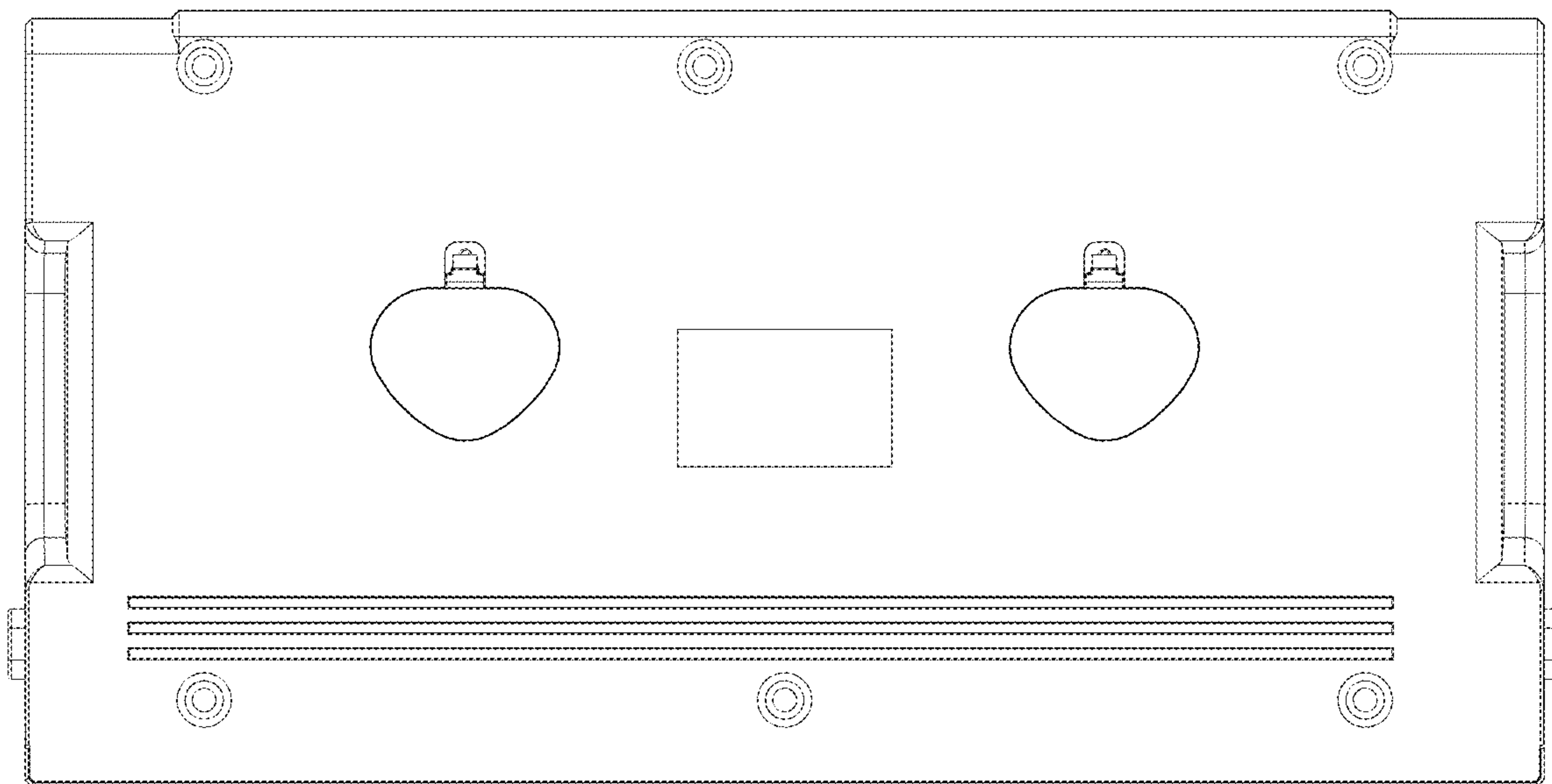


FIG. 2

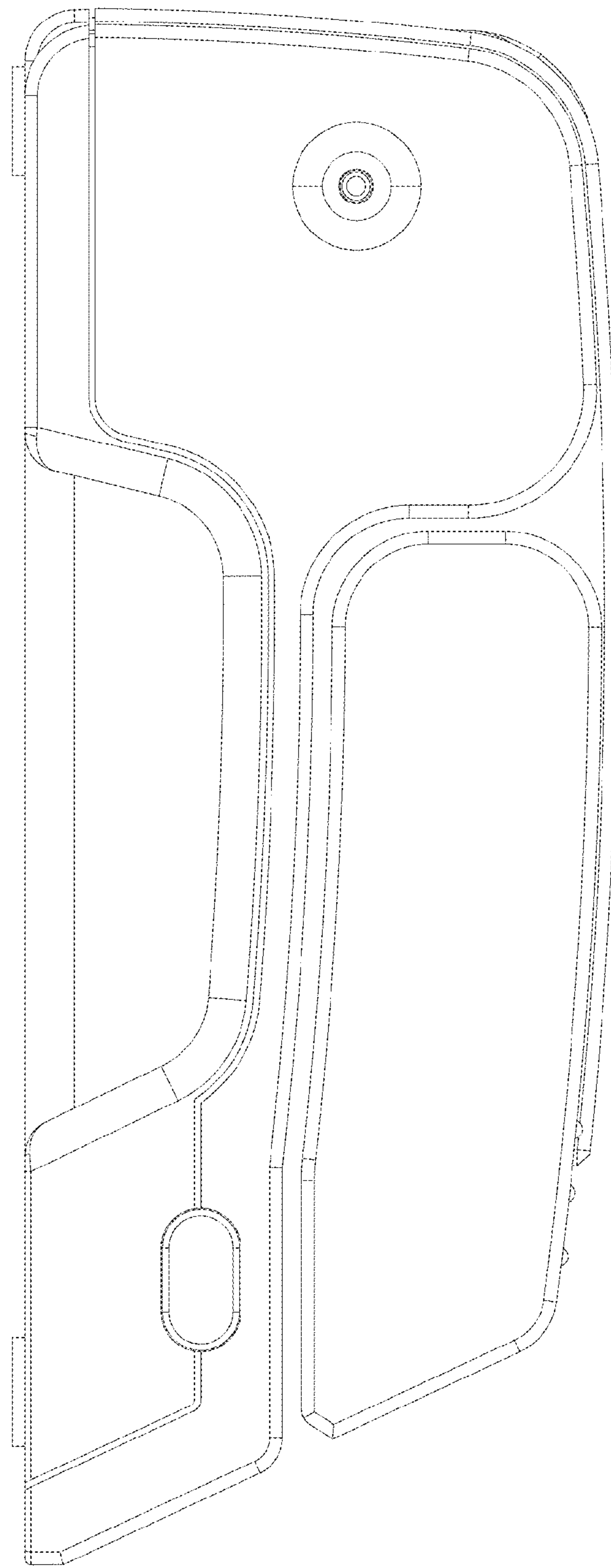


FIG. 3

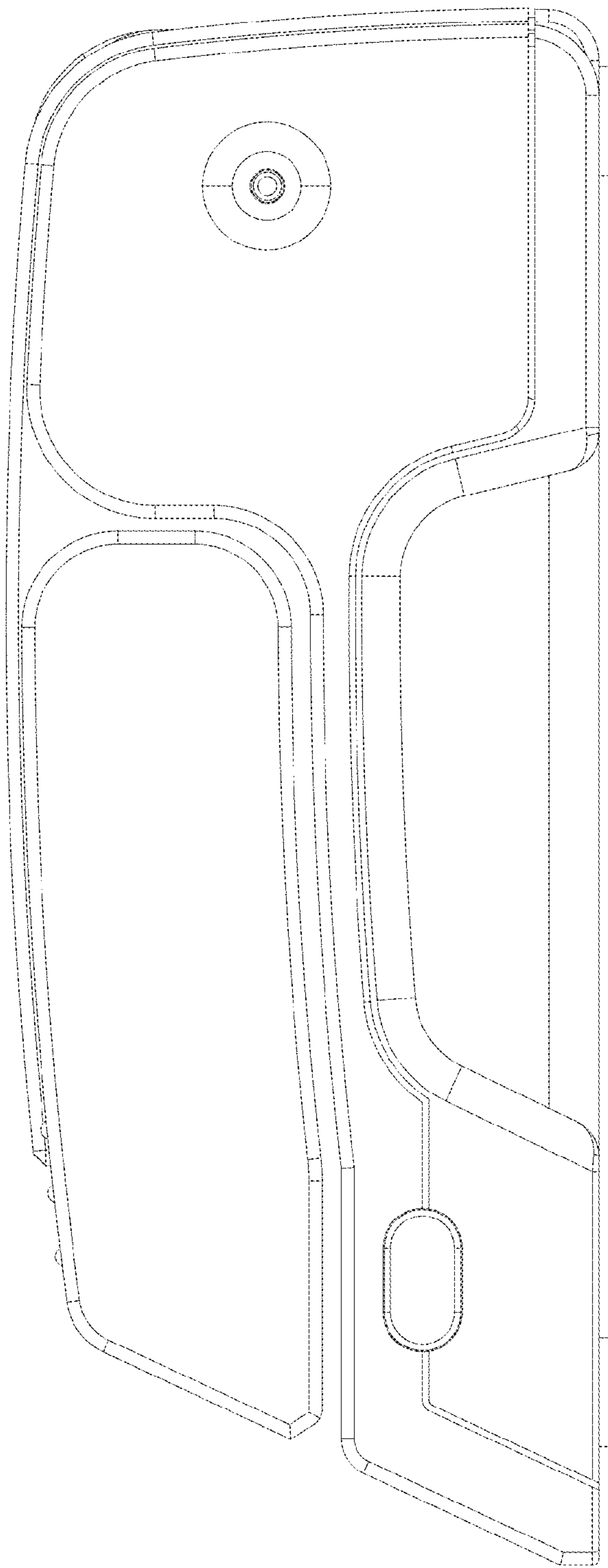


FIG. 4

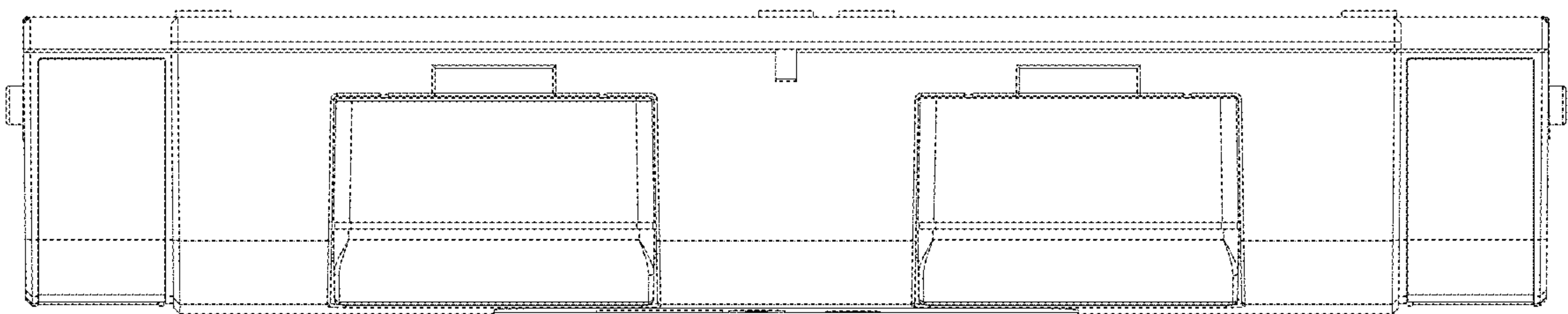


FIG. 5

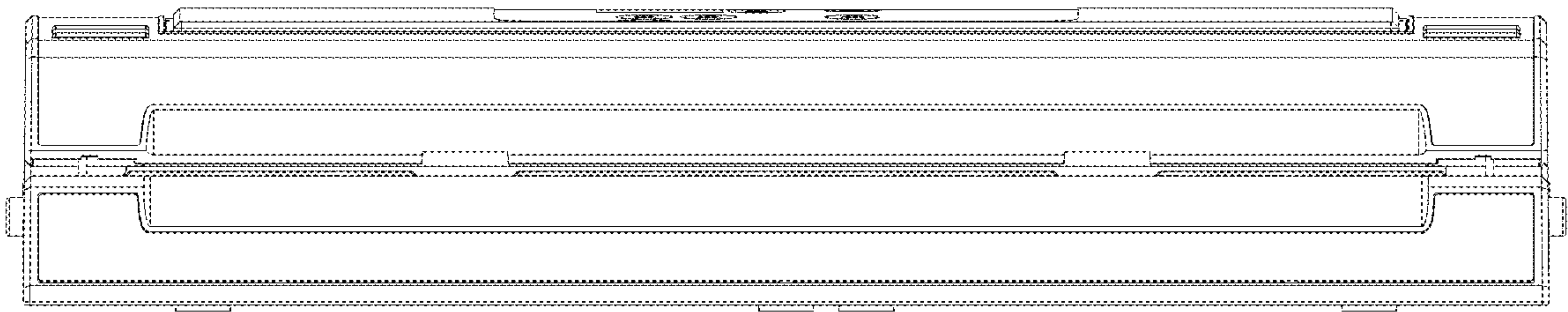


FIG. 6

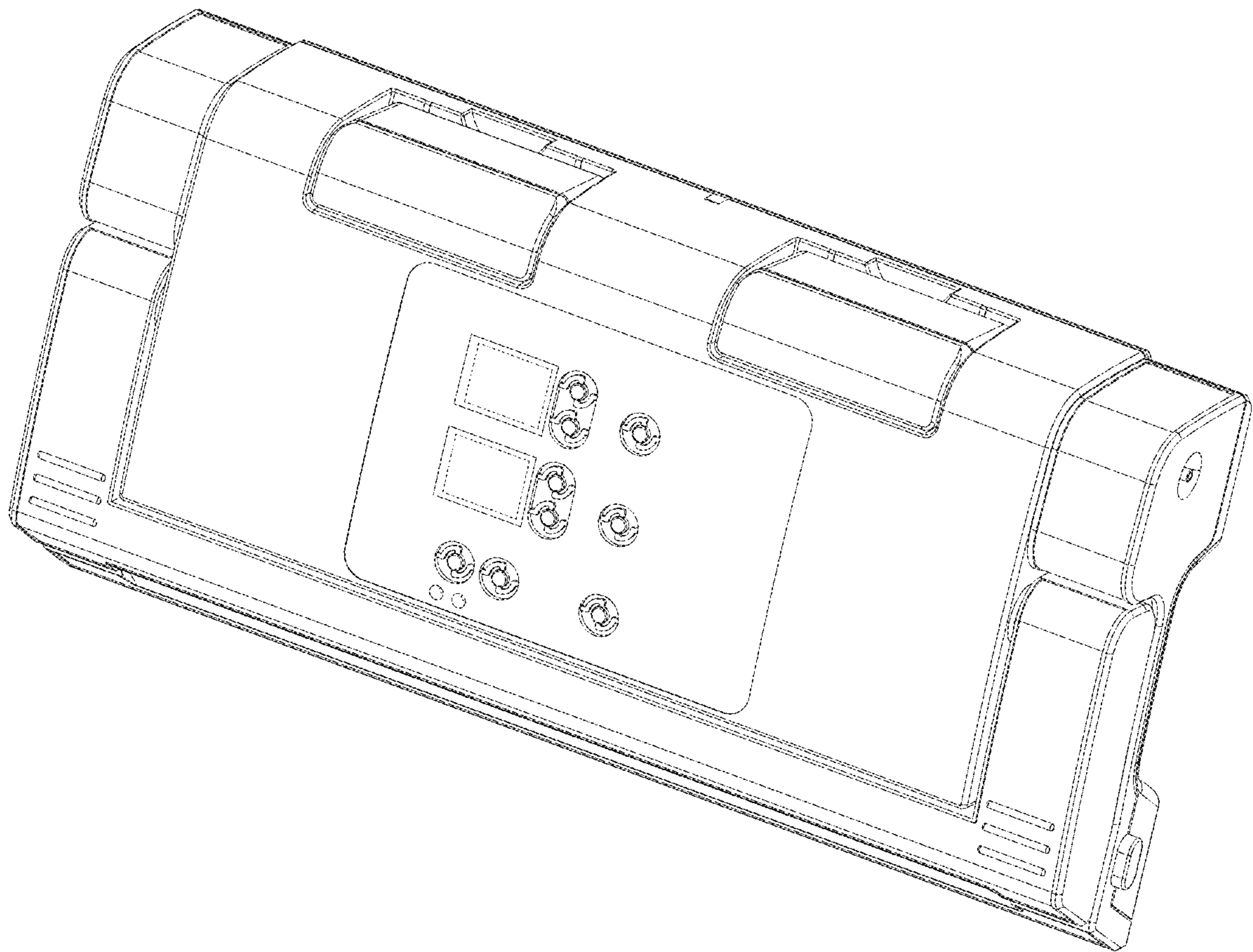


FIG. 7

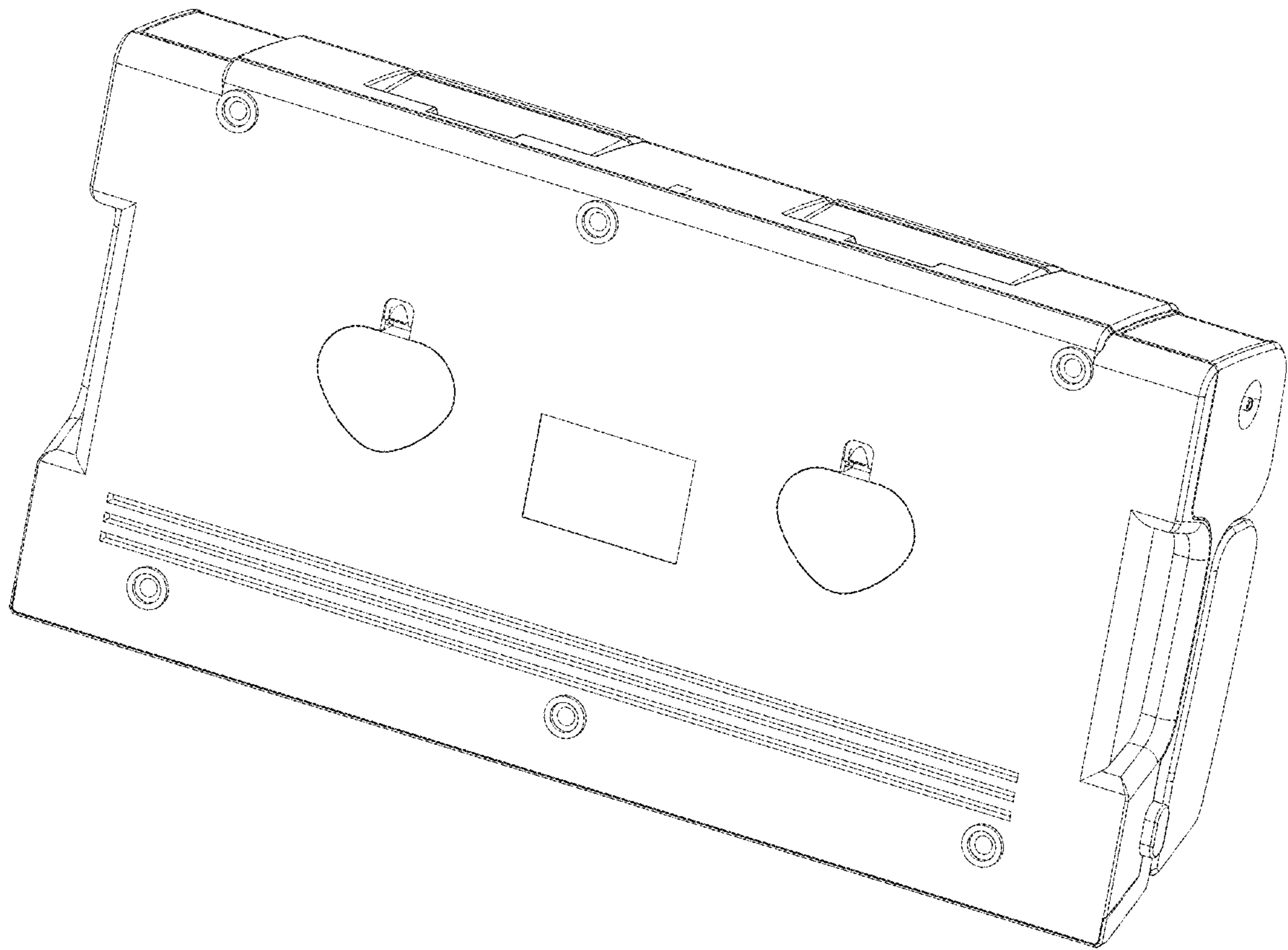


FIG. 8