



US00D975763S

(12) **United States Design Patent** (10) **Patent No.:** **US D975,763 S**
Gallo (45) **Date of Patent:** **** Jan. 17, 2023**

(54) **WELDING MACHINE**
(71) Applicant: **TRUMPF GmbH + Co. KG**, Ditzingen (DE)
(72) Inventor: **Dina Gallo**, Ditzingen (DE)
(73) Assignee: **TRUMPF SE + Co. KG**, Ditzingen (DE)
(**) Term: **15 Years**

D489,077 S * 4/2004 Bloch D15/127
D635,596 S * 4/2011 Hiroshima D15/122
D659,728 S * 5/2012 Mueller D15/122
D664,570 S * 7/2012 Mueller D15/122
D667,031 S * 9/2012 Mueller D15/122
D734,787 S * 7/2015 Schonherr D15/122
D759,738 S * 6/2016 Schönherr D15/122
D821,464 S * 6/2018 Lin D15/144
D827,688 S * 9/2018 Lin D15/144
D841,701 S * 2/2019 Gallo D15/122
D883,340 S * 5/2020 Van Ham D15/9
D888,777 S * 6/2020 De Bontridder D15/9

(21) Appl. No.: **35/511,756**

(22) Filed: **Oct. 30, 2020**

(80) **Hague Agreement Data**

Int. Filing Date: **Oct. 30, 2020**
Int. Reg. No.: **DM/212922**
Int. Reg. Date: **Oct. 30, 2020**
Int. Reg. Pub. Date: **Apr. 30, 2021**

(51) **LOC (14) Cl.** **15-09**

(52) **U.S. Cl.**
USPC **D15/144**

(58) **Field of Classification Search**

USPC D15/7, 8, 9.1, 9.2, 9.3, 122, 144, 144.1,
D15/144.2; D8/300, 301, 302; D23/223,
D23/224, 226, 233, 235, 236; D24/111
CPC F04B 41/00; F04B 41/02-06; F04B 31/00;
F04B 35/00; F04B 53/92; F04B 1/005;
F04B 23/00; F02M 37/04; F02M 37/14;
B23K 9/32; B23K 9/028; B23K 9/1006;
B23K 9/1735; B23K 11/28; B23K 37/053
See application file for complete search history.

(56) **References Cited**

U.S. PATENT DOCUMENTS

D419,573 S * 1/2000 Kawahara D15/122
D424,584 S * 5/2000 Kawahara D15/122
D464,363 S * 10/2002 Saito D15/122

OTHER PUBLICATIONS

“TRUMPF Arc welding: TruArc Weld 1000—Just start and weld automatically” [online]. TRUMPFtube. [Published on Mar. 24, 2020]. Retrieved from the Internet: <<https://www.youtube.com/watch?v=744cLizTseA>>.*

* cited by examiner

Primary Examiner — Mojtaba Tehrani
(74) *Attorney, Agent, or Firm* — Fish & Richardson P.C.

(57) **CLAIM**

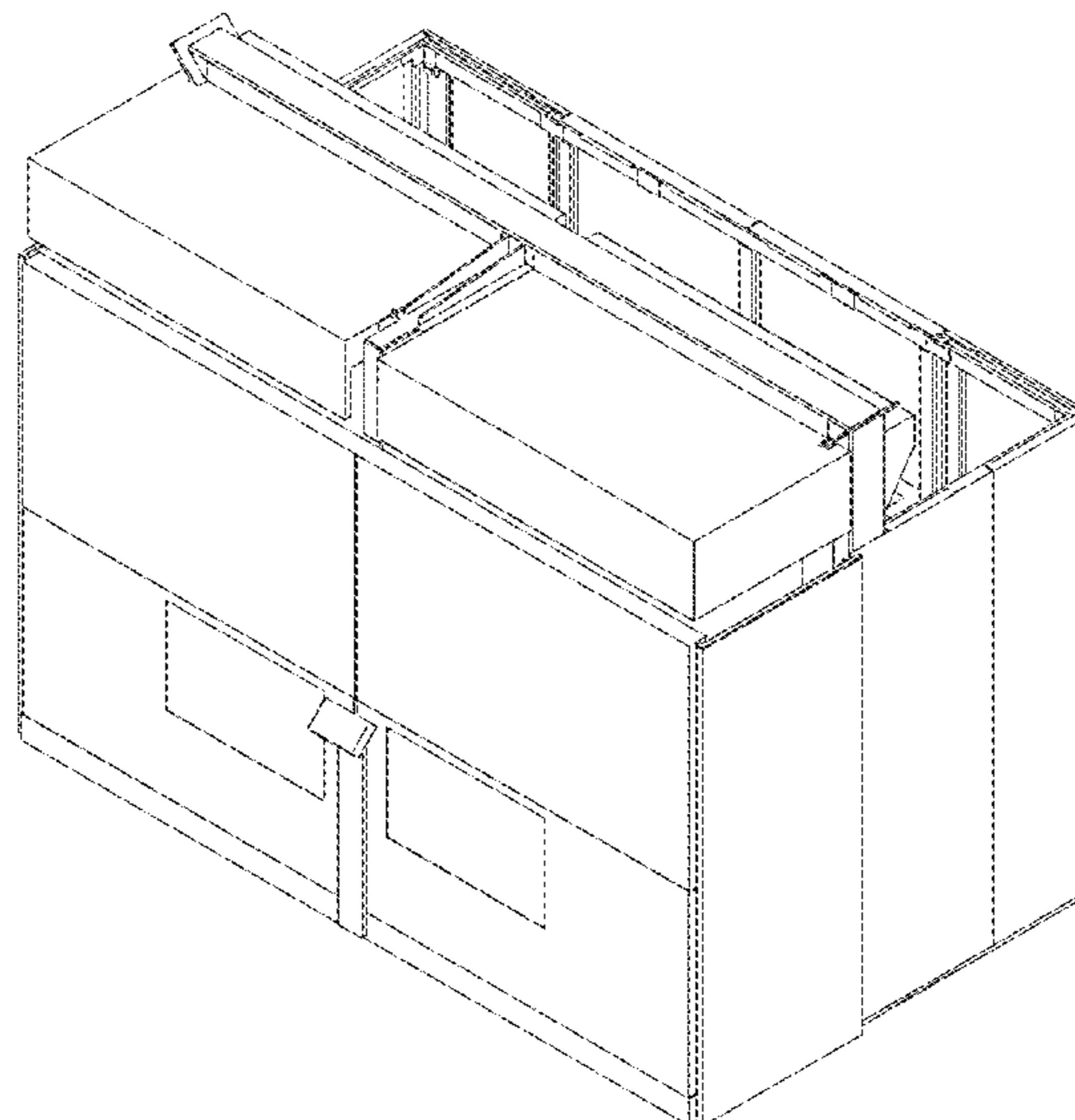
The ornamental design for a welding machine, as shown and described.

DESCRIPTION

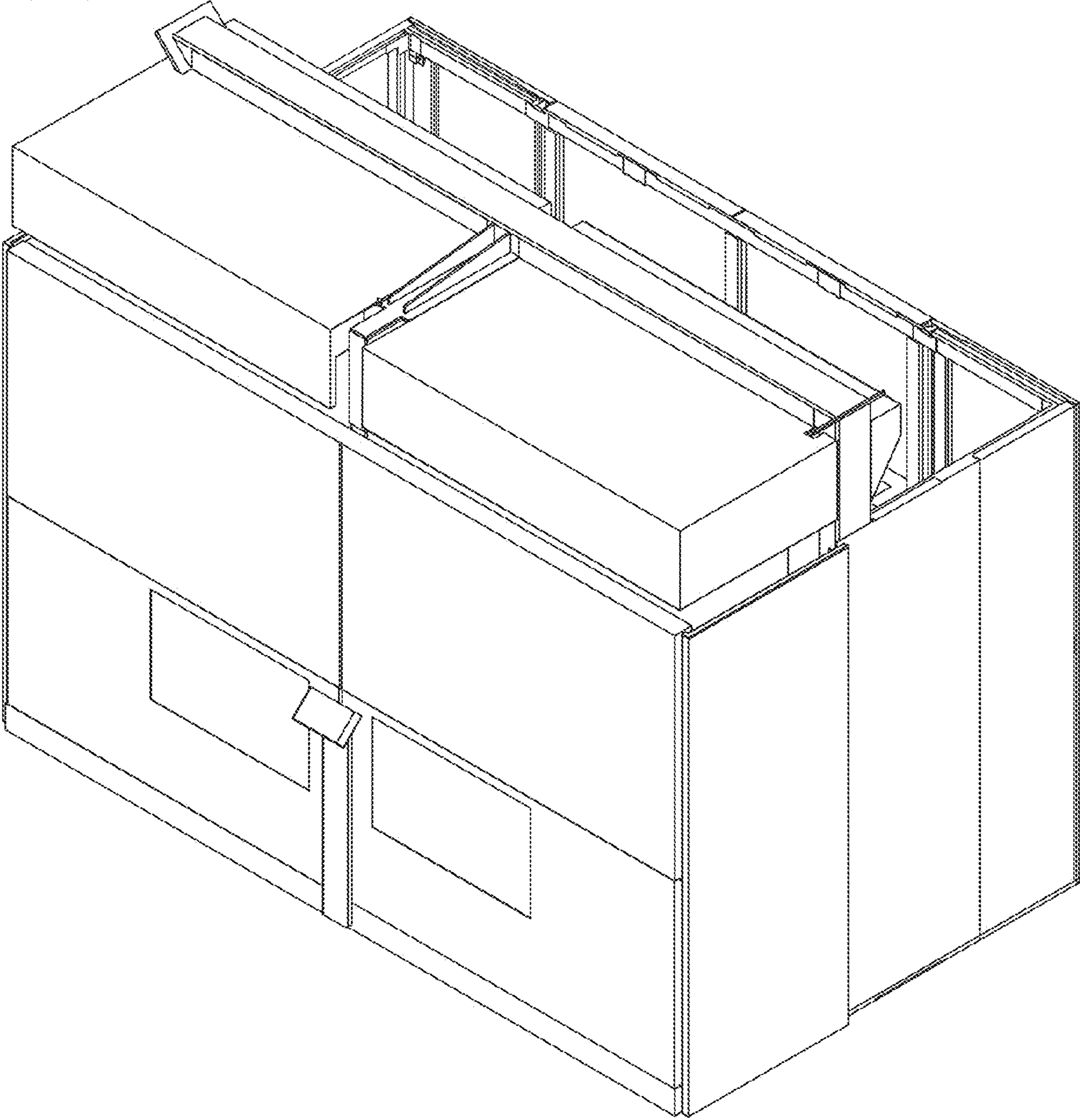
- 1. Welding machine
- 1.1 : Perspective
- 1.2 : Front
- 1.3 : Back
- 1.4 : Top
- 1.5 : Bottom
- 1.6 : Left
- 1.7 : Right

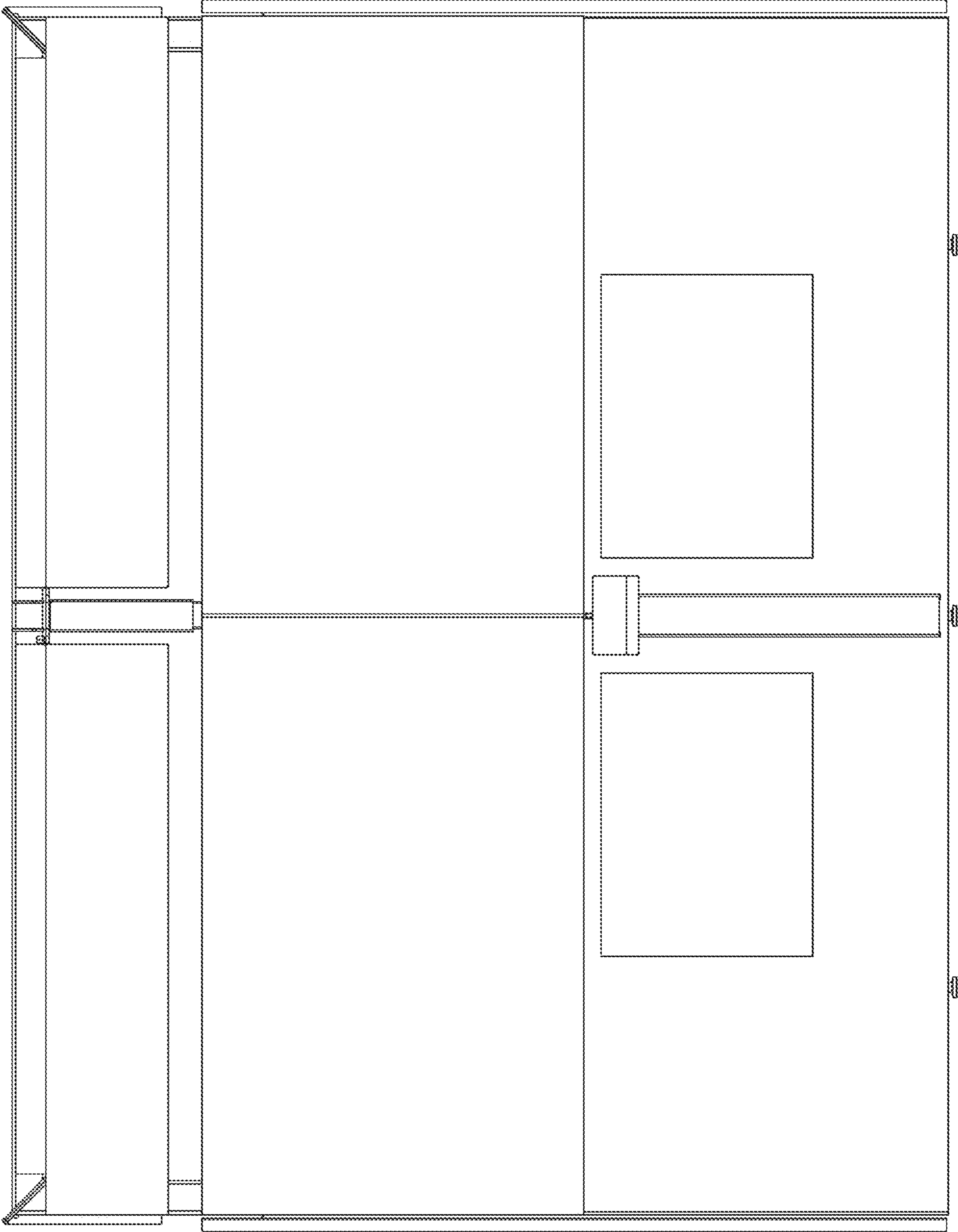
The broken line in the reproductions discloses the unclaimed portion of the machine only and forms no part of the claimed design.

1 Claim, 7 Drawing Sheets

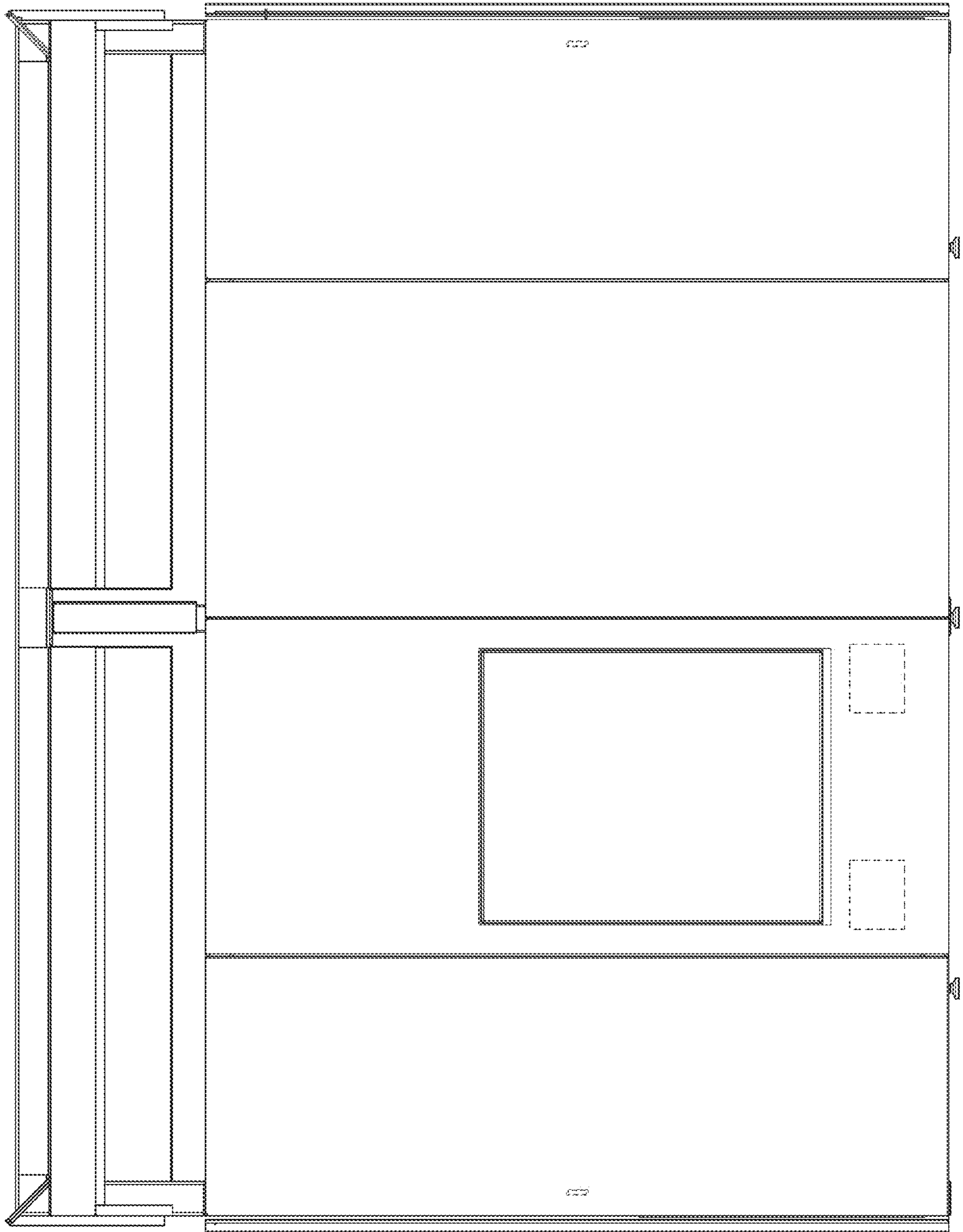


1.1

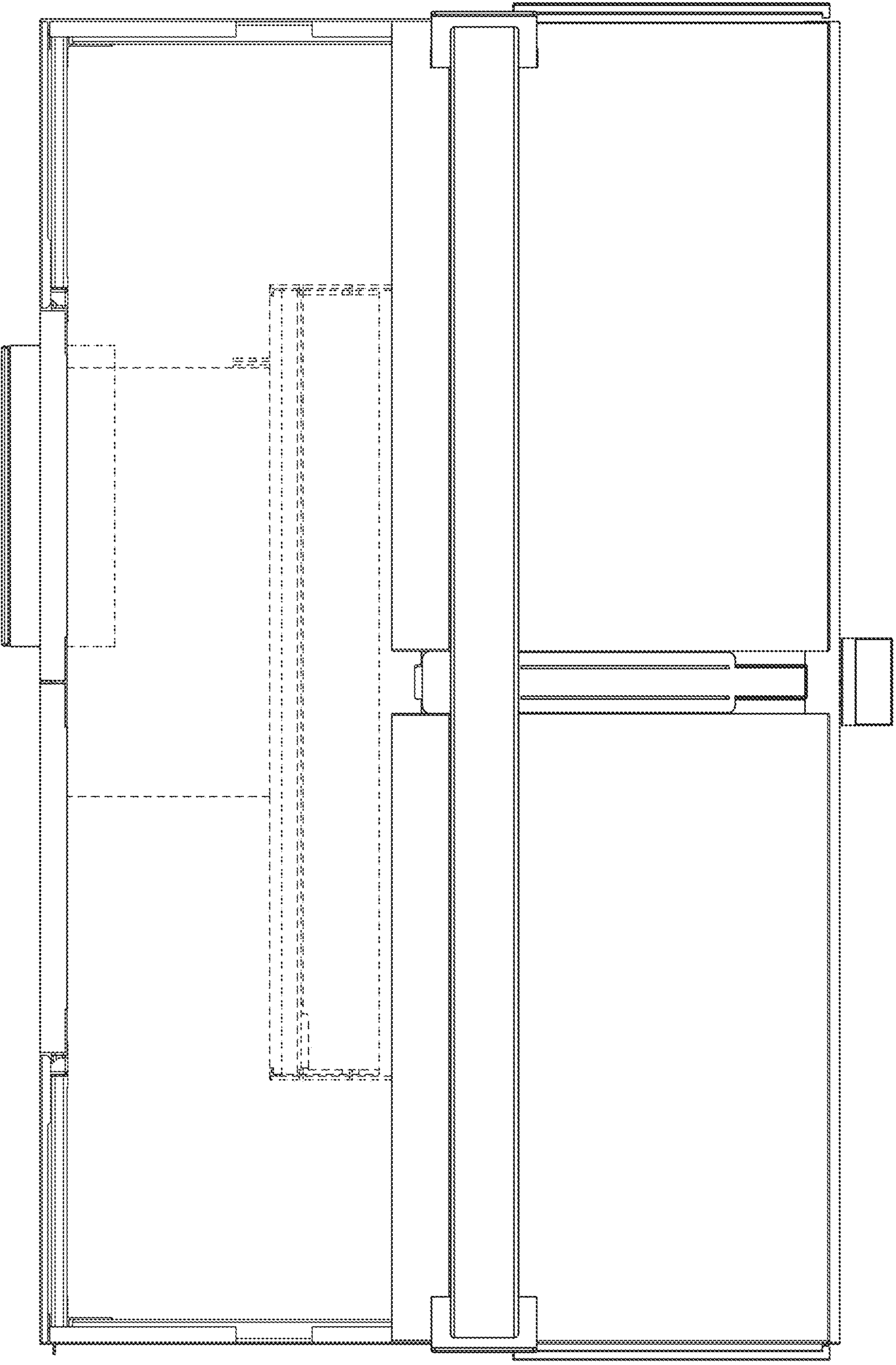




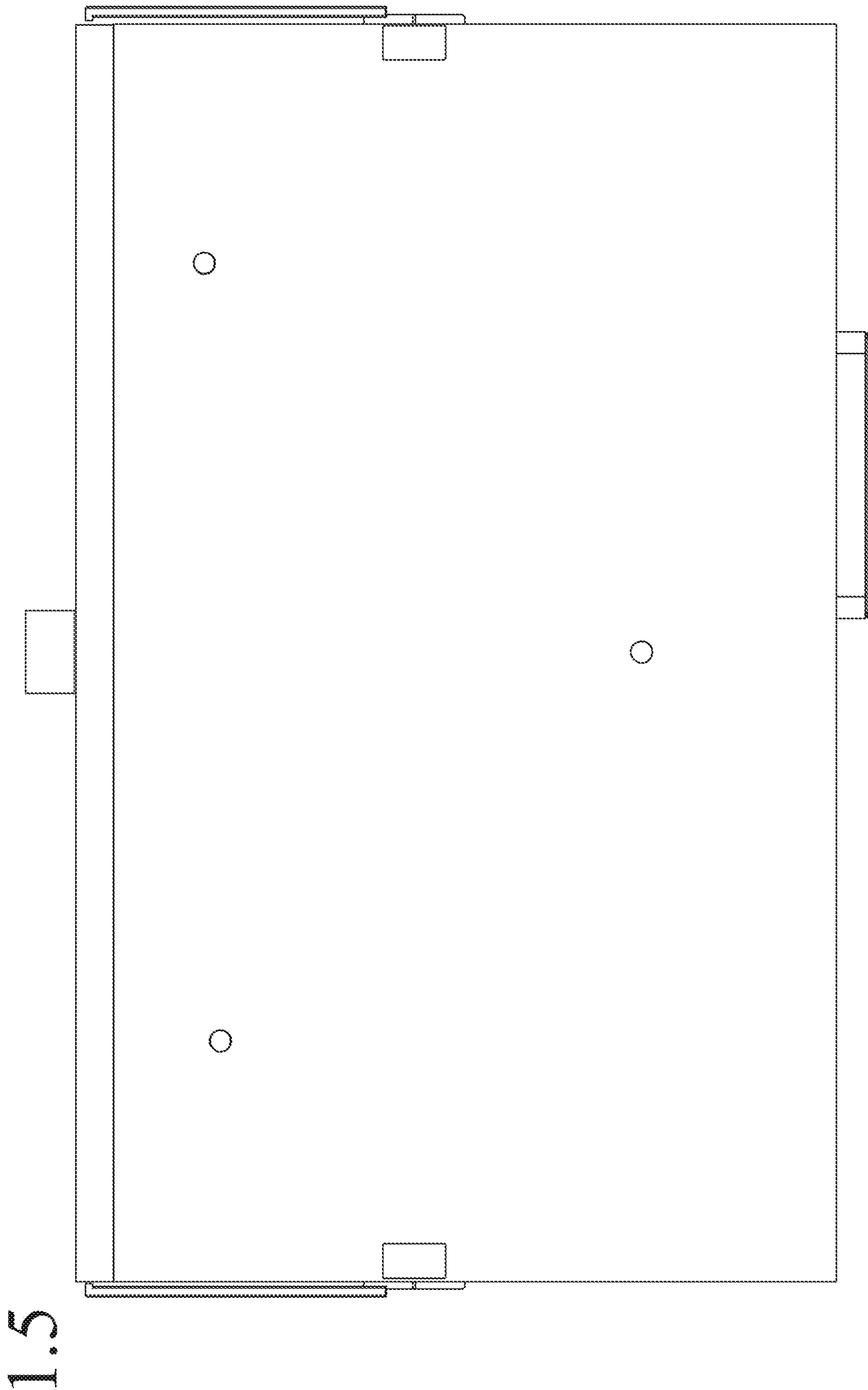
1.2



1.3



1.4



1.6

