



US00D975761S

(12) **United States Design Patent**
Min et al.

(10) **Patent No.:** **US D975,761 S**

(45) **Date of Patent:** **** Jan. 17, 2023**

(54) **GROOVING INSERT FOR MACHINE TOOLS FOR METALWORKING**

D772,319 S * 11/2016 Nam D15/139
D805,565 S * 12/2017 Min B23C 5/06
D15/139

(71) Applicant: **KORLOY INC.**, Seoul (KR)

D824,438 S * 7/2018 Min D15/139
10,086,447 B2 * 10/2018 Nam B23C 5/06

(72) Inventors: **Byung Hoon Min**, Cheongju-si (KR);
Sung Guen Shin, Cheongju-si (KR);
Young Heum Kim, Cheongju-si (KR)

D905,141 S * 12/2020 Min D15/139
D953,395 S * 5/2022 Shin D15/139
D953,396 S * 5/2022 Shin D15/139
D956,835 S * 7/2022 Kim B23C 5/2213
D15/139

(**) Term: **15 Years**

2019/0240737 A1 * 8/2019 Kertsman B23B 27/16
2020/0368829 A1 * 11/2020 Shin B23B 27/045
2021/0001407 A1 * 1/2021 Jarvstrom B23B 27/045

(21) Appl. No.: **35/513,674**

* cited by examiner

(22) Filed: **Dec. 21, 2021**

(80) **Hague Agreement Data**

Primary Examiner — Patricia A Palasik

Int. Filing Date: **Dec. 21, 2021**

Int. Reg. No.: **DM/218944**

Int. Reg. Date: **Dec. 21, 2021**

Int. Reg. Pub. Date: **Feb. 18, 2022**

(57) **CLAIM**

The ornamental design for a grooving insert for machine tools for metalworking, as shown and described.

(30) **Foreign Application Priority Data**

Jul. 23, 2021 (KR) 30-2021-0035034

(51) **LOC (14) Cl.** **15-09**

(52) **U.S. Cl.**
USPC **D15/139**

DESCRIPTION

(58) **Field of Classification Search**
USPC D8/20, 70; D15/126, 131, 138, 139, 140
CPC B23B 27/04; B23B 27/06; B23B 27/045
See application file for complete search history.

1. Grooving insert for machine tools for metalworking

1.1 : Perspective

1.2 : Front

1.3 : Back

1.4 : Top

1.5 : Bottom

1.6 : Left

1.7 : Right

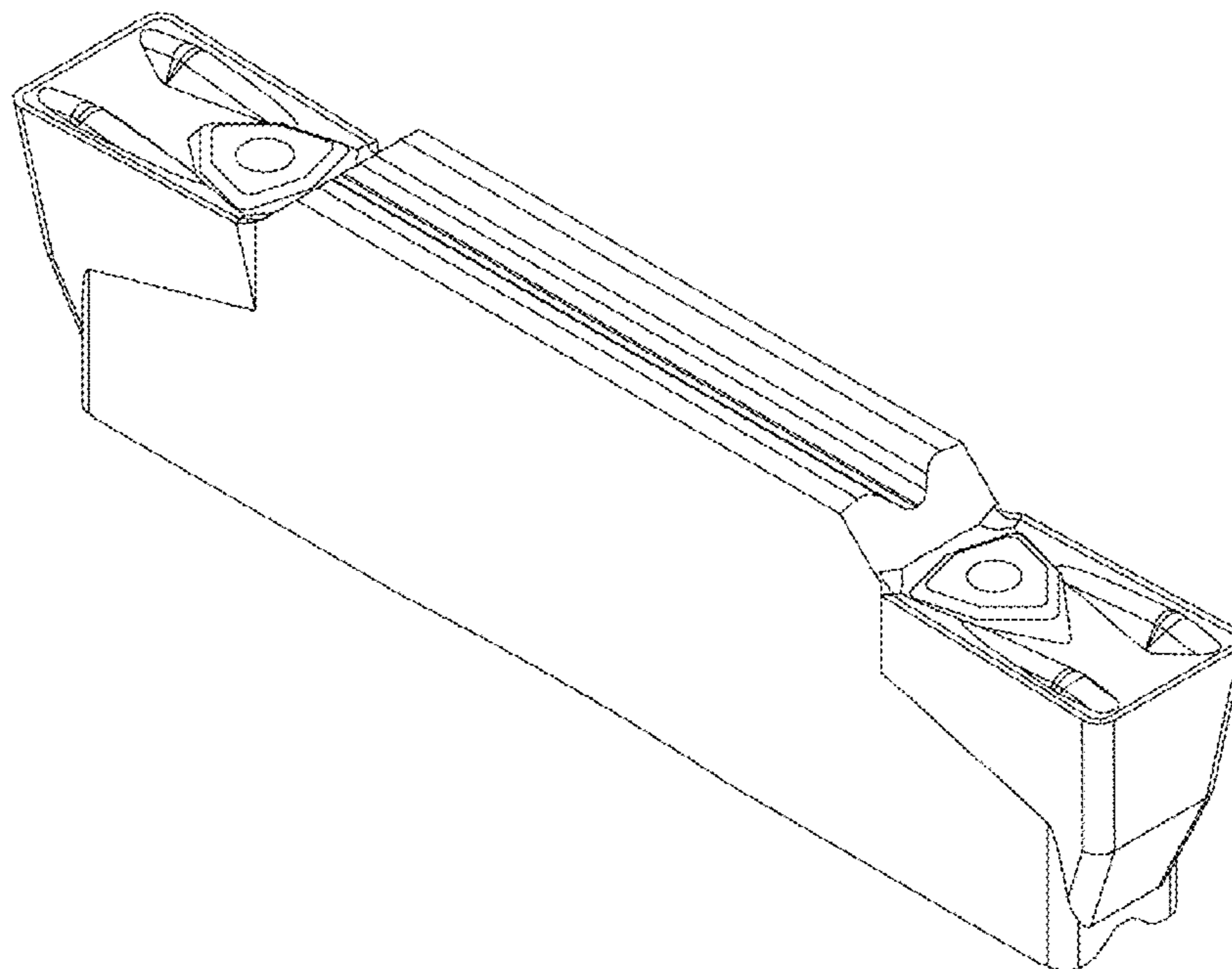
(56) **References Cited**

U.S. PATENT DOCUMENTS

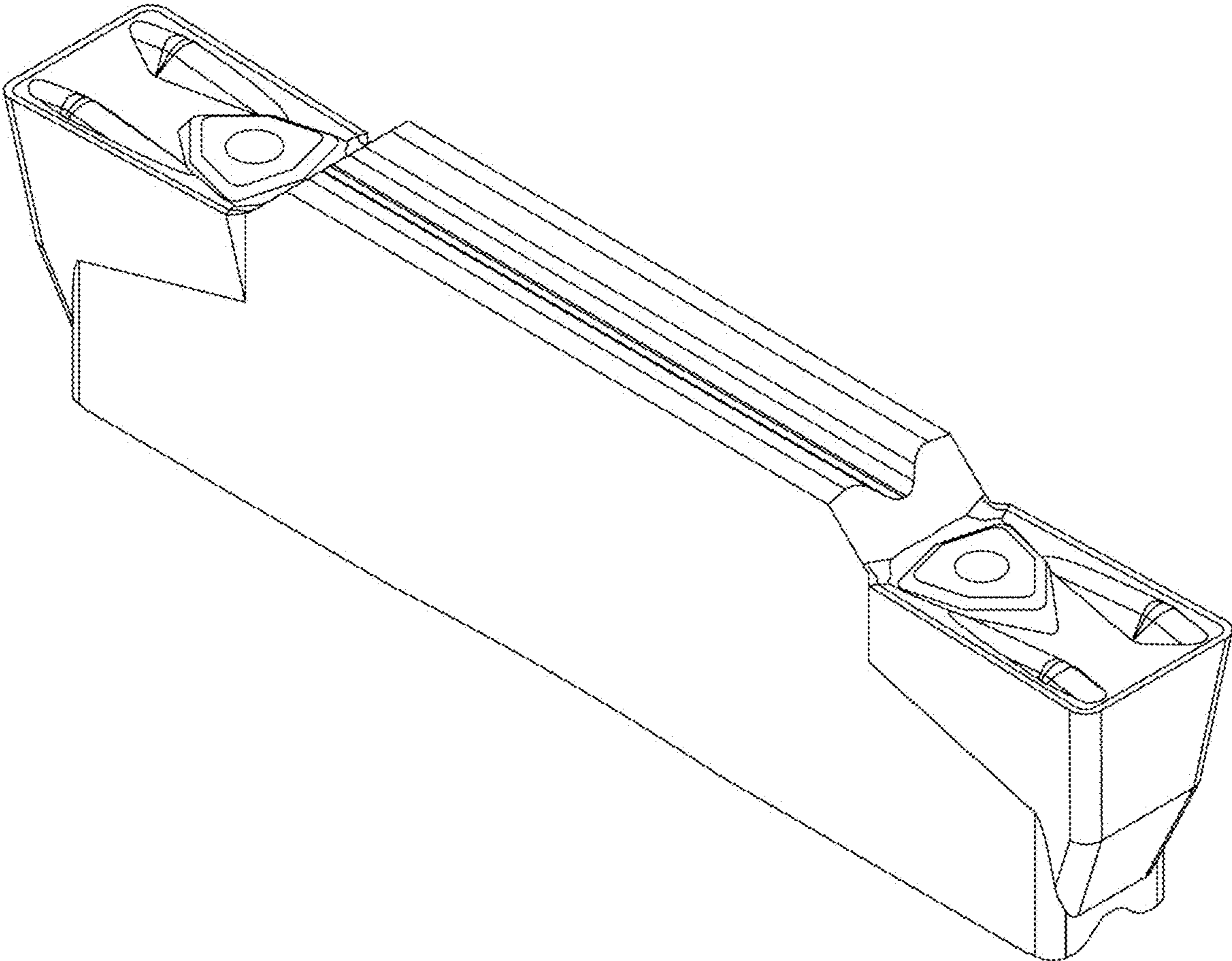
4,832,541 A * 5/1989 Noguchi B23B 27/045
407/117

6,428,247 B1 * 8/2002 Friedman B23B 27/045
407/113

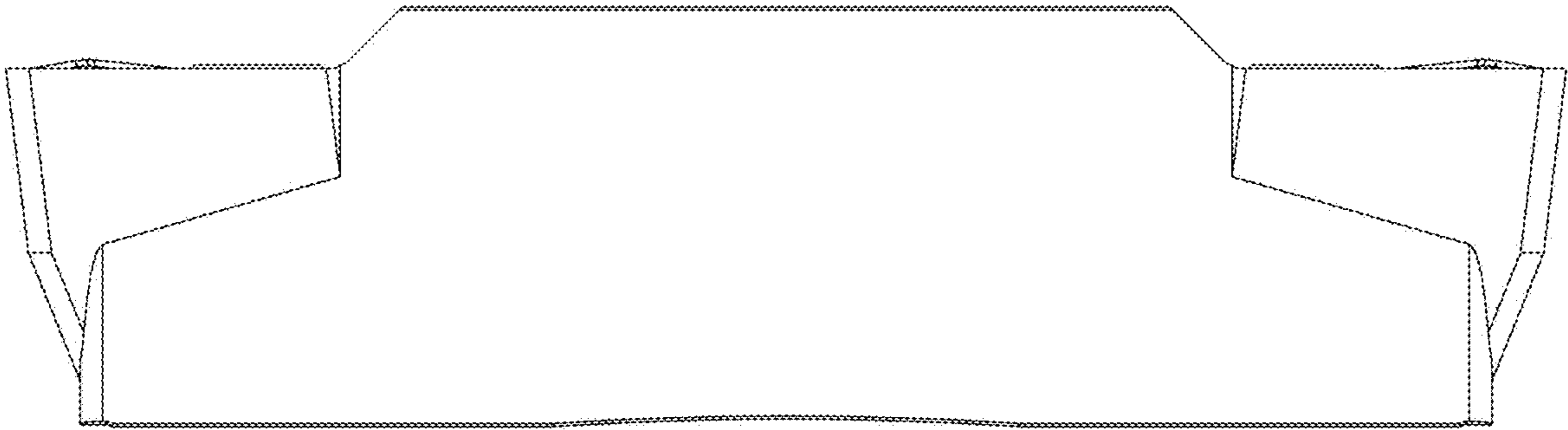
1 Claim, 7 Drawing Sheets



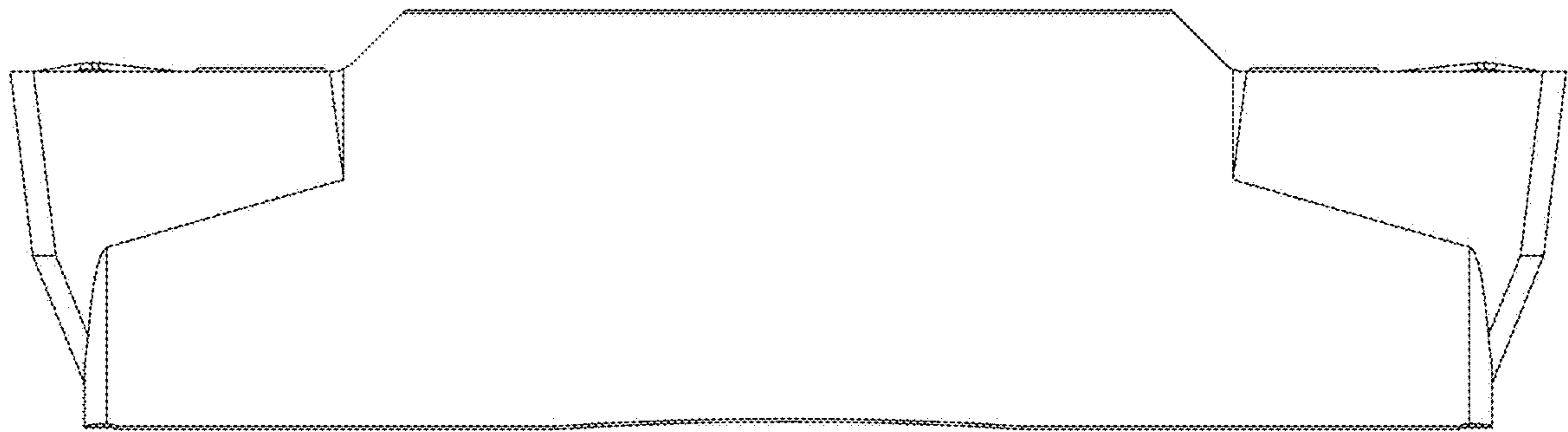
1.1



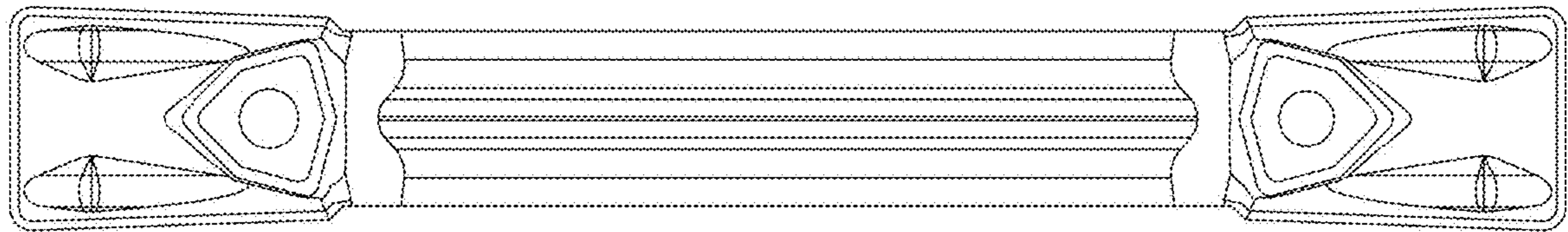
1.2



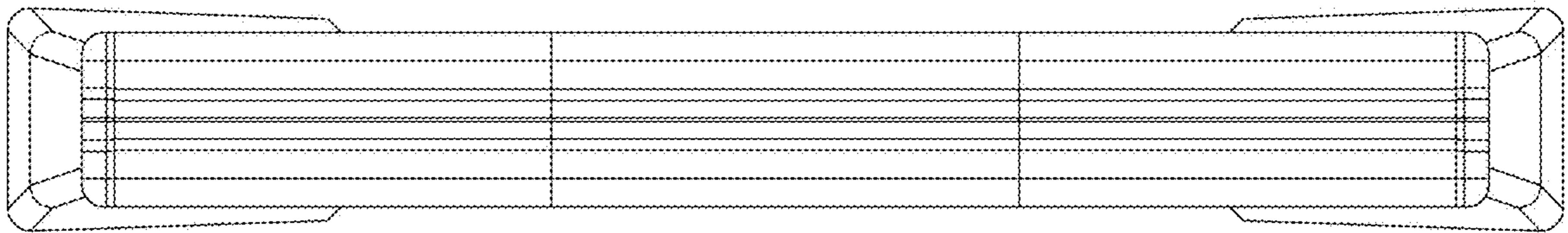
1.3



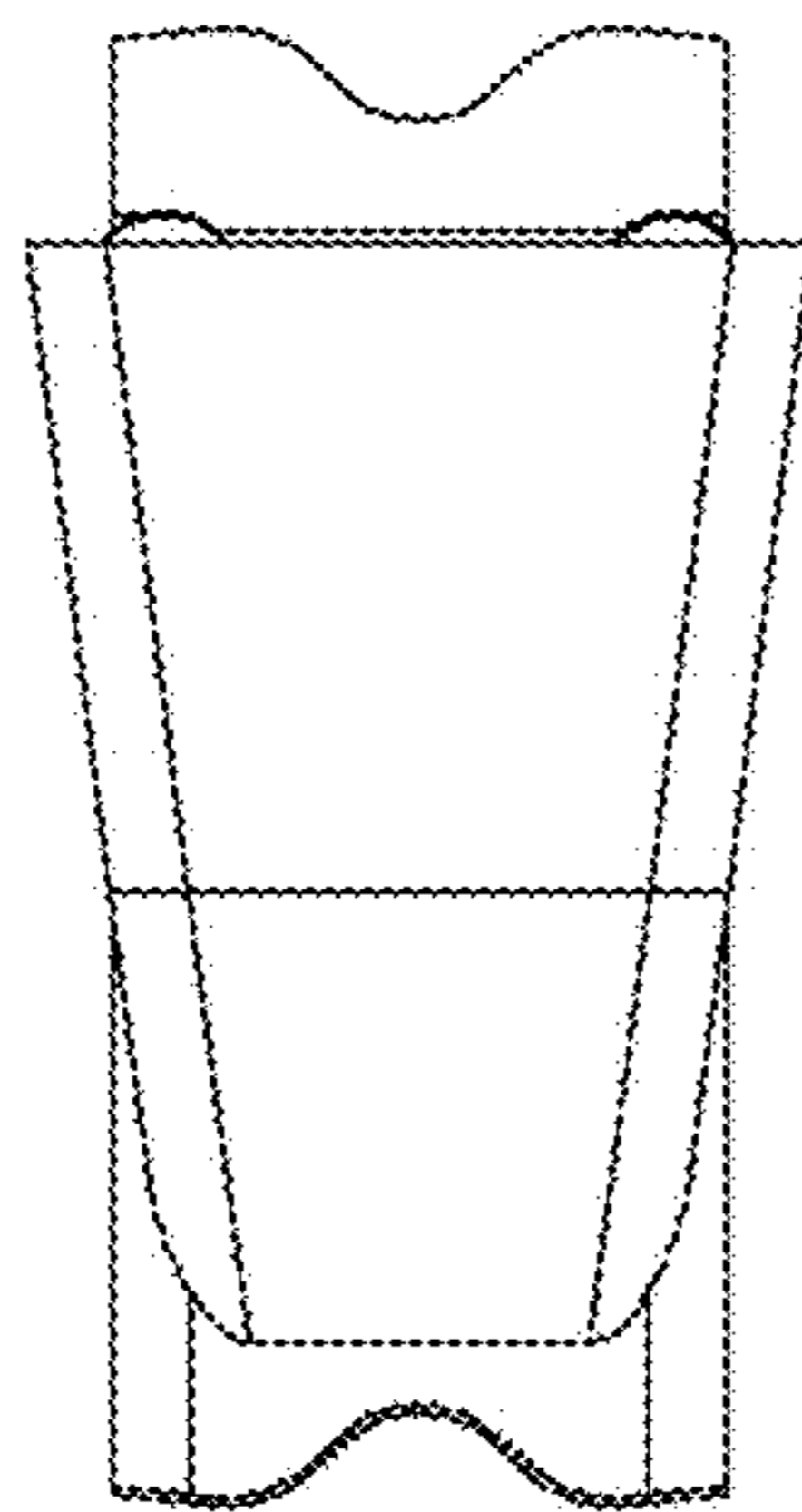
1.4



1.5



1.6



1.7

