



US00D975760S

(12) **United States Design Patent**  
**Fukuda**

(10) **Patent No.:** **US D975,760 S**  
(45) **Date of Patent:** **\*\* Jan. 17, 2023**

(54) **CUTTING TOOL**  
(71) Applicant: **SUMITOMO ELECTRIC**  
**HARDMETAL CORP.**, Itami (JP)  
(72) Inventor: **Hirochika Fukuda**, Itami (JP)  
(73) Assignee: **SUMITOMO ELECTRIC**  
**HARDMETAL CORP.**, Itami (JP)

D805,564 S \* 12/2017 Lee ..... B23C 5/00  
D15/139  
D805,566 S \* 12/2017 Oh ..... B25C 5/06  
D15/139  
D807,935 S \* 1/2018 Dudzinsky ..... B23C 5/2213  
D15/139  
D847,883 S \* 5/2019 Kobayashi ..... D15/139  
D898,085 S \* 10/2020 Kim ..... B23C 5/202  
D15/139

(\*\*) Term: **15 Years**

*Primary Examiner* — Patricia A Palasik

(21) Appl. No.: **29/767,413**

(74) *Attorney, Agent, or Firm* — Faegre Drinker Biddle & Reath LLP

(22) Filed: **Jan. 22, 2021**

(30) **Foreign Application Priority Data**

Jul. 28, 2020 (JP) ..... 2020-015601 D  
Jul. 28, 2020 (JP) ..... 2020-015602 D

(51) **LOC (14) Cl.** ..... **15-09**

(52) **U.S. Cl.**  
USPC ..... **D15/139**

(58) **Field of Classification Search**  
USPC ..... D8/20, 70; D15/126, 131, 138, 139, 140  
CPC ..... B23B 27/145; B23B 27/1622; B23B  
2200/048; B23B 2200/204; B23B  
2200/085; B23B 2200/0423; B23C 5/205;  
B23C 5/207; B23C 2200/125; B23C  
2200/0416; B23C 2200/0477; B23C  
2200/0494

See application file for complete search history.

(56) **References Cited**

**U.S. PATENT DOCUMENTS**

D584,752 S \* 1/2009 Jonsson ..... D15/139  
D637,214 S \* 5/2011 Saito ..... D15/139  
D688,716 S \* 8/2013 Lampe ..... D15/139  
D700,639 S \* 3/2014 Choi ..... D15/139  
D718,357 S \* 11/2014 Park ..... D15/139  
D804,552 S \* 12/2017 Lee ..... B23C 5/00  
D15/139

(Continued)

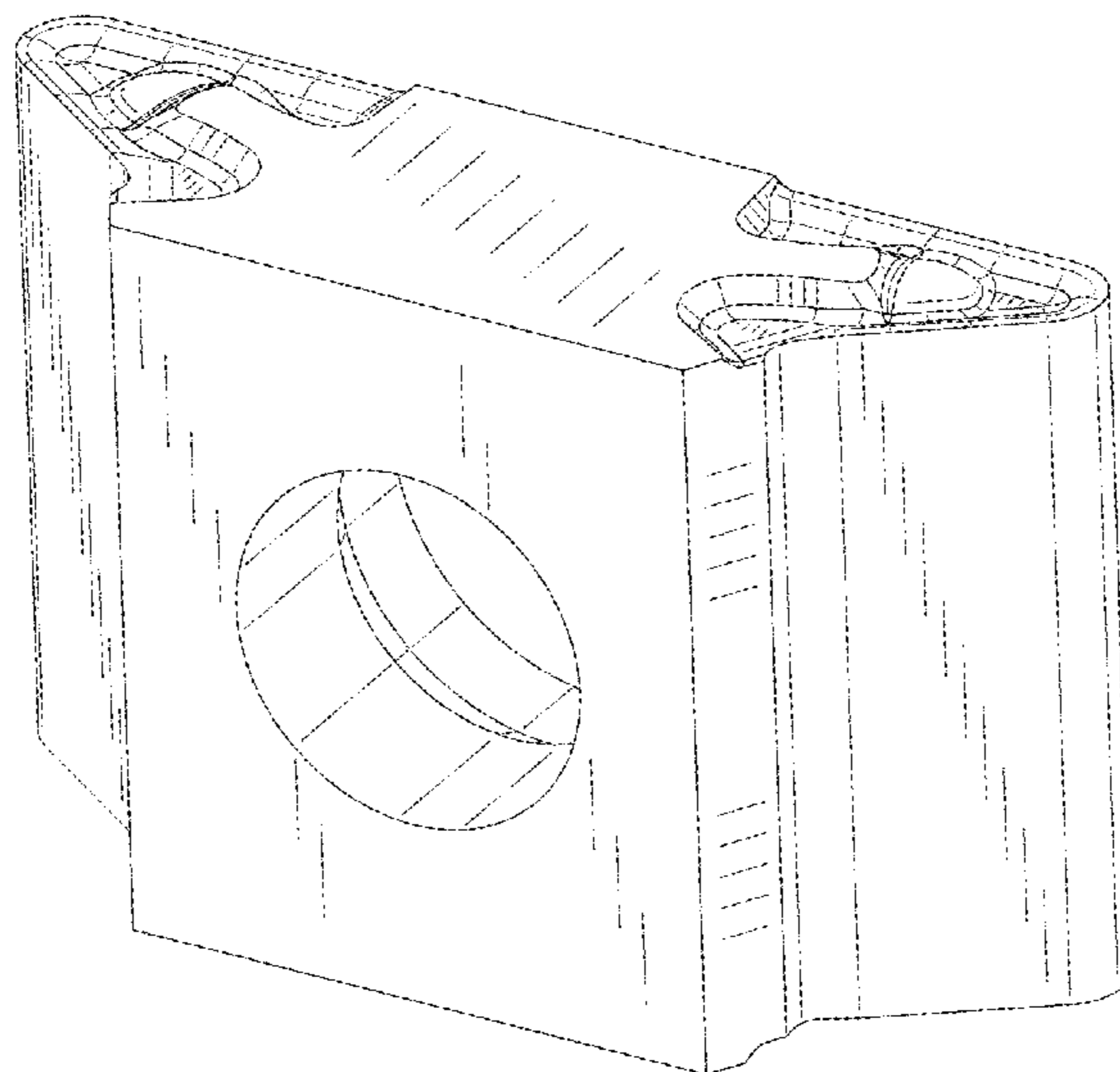
(57) **CLAIM**

The ornamental design for a cutting tool, as shown and described.

**DESCRIPTION**

FIG. 1 is a front view of a cutting tool of an embodiment showing my new design,  
FIG. 2 is a rear view thereof;  
FIG. 3 is a right side view thereof;  
FIG. 4 is a left side view thereof;  
FIG. 5 is a top view thereof;  
FIG. 6 is a bottom view thereof;  
FIG. 7 is a first perspective view thereof;  
FIG. 8 is a second perspective view thereof;  
FIG. 9 is an enlarged view of portion 9 of FIG. 5;  
FIG. 10 is a cross sectional view taken along line 10-10 of FIG. 9;  
FIG. 11 is a cross sectional view taken along line 11-11 of FIG. 9;  
FIG. 12 is a cross sectional view taken along line 12-12 of FIG. 9; and,  
FIG. 13 is a referential view showing the state in use thereof.  
The broken lines shown in views represent portions that form no part of the claimed design.

**1 Claim, 7 Drawing Sheets**



(56)

**References Cited**

U.S. PATENT DOCUMENTS

D927,573 S \* 8/2021 Kim ..... B23C 5/202  
D15/139  
D936,713 S \* 11/2021 Endoh ..... D15/139

\* cited by examiner

FIG.1

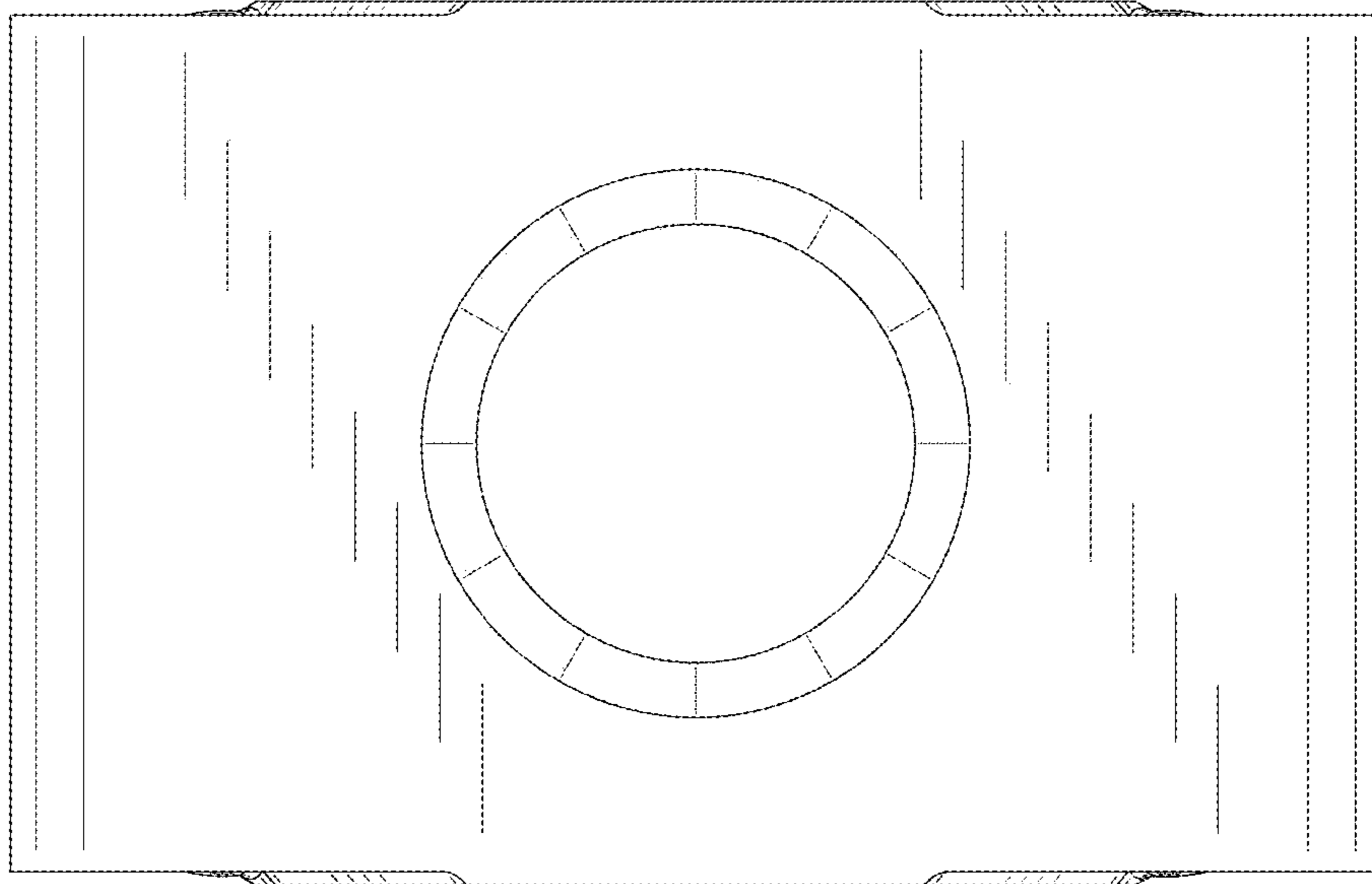


FIG.2

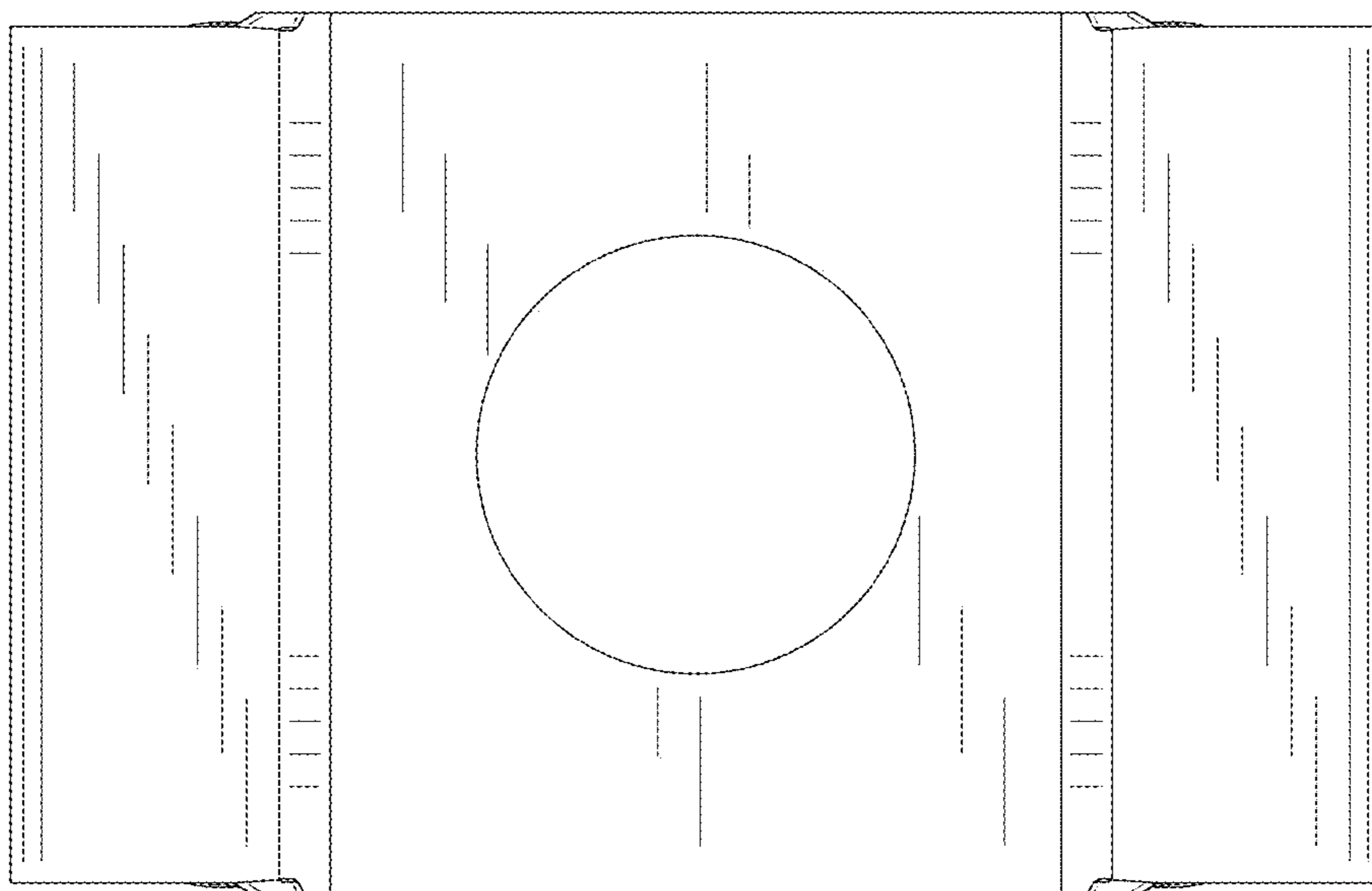


FIG.3

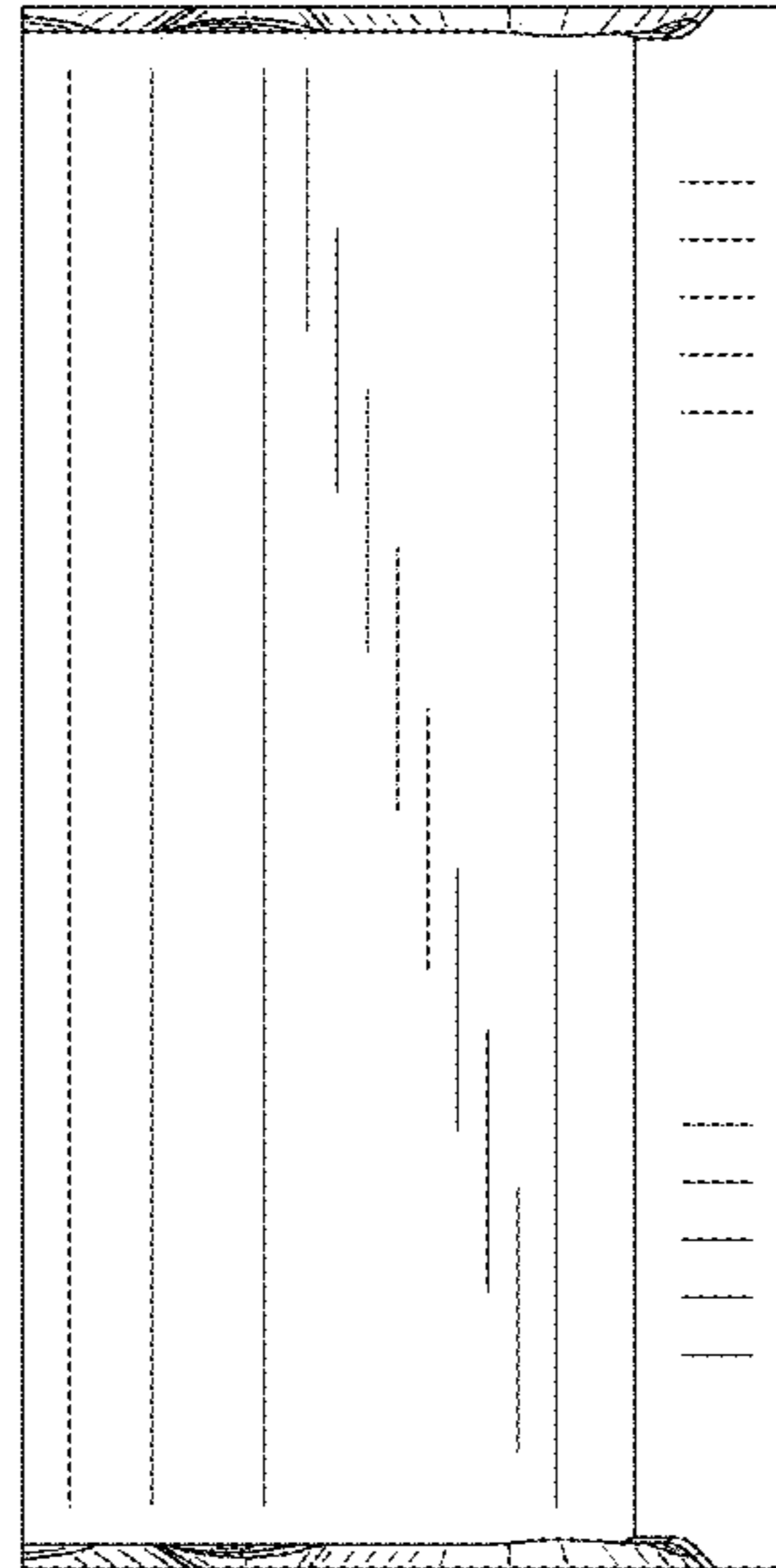


FIG.4

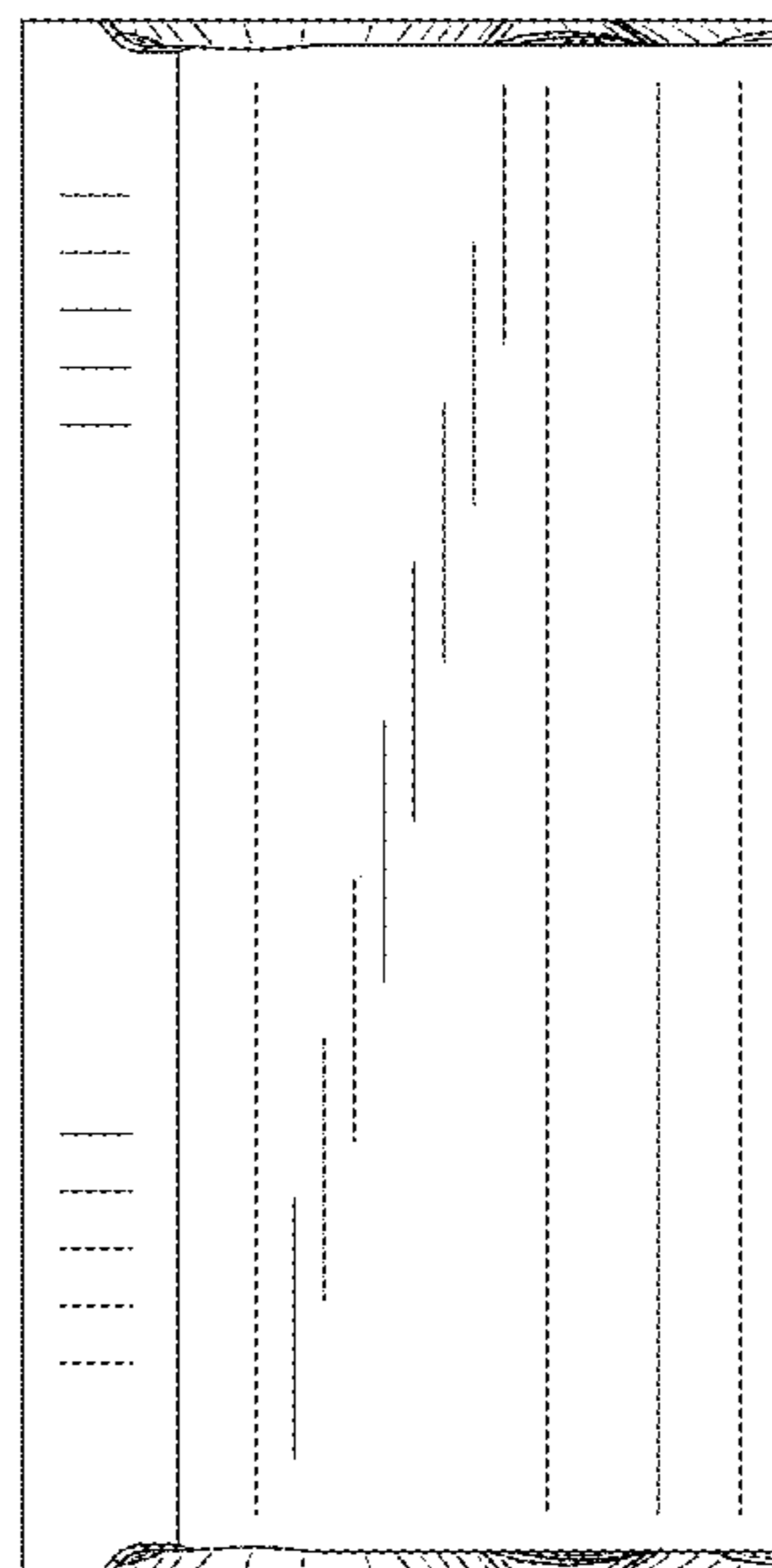


FIG.5

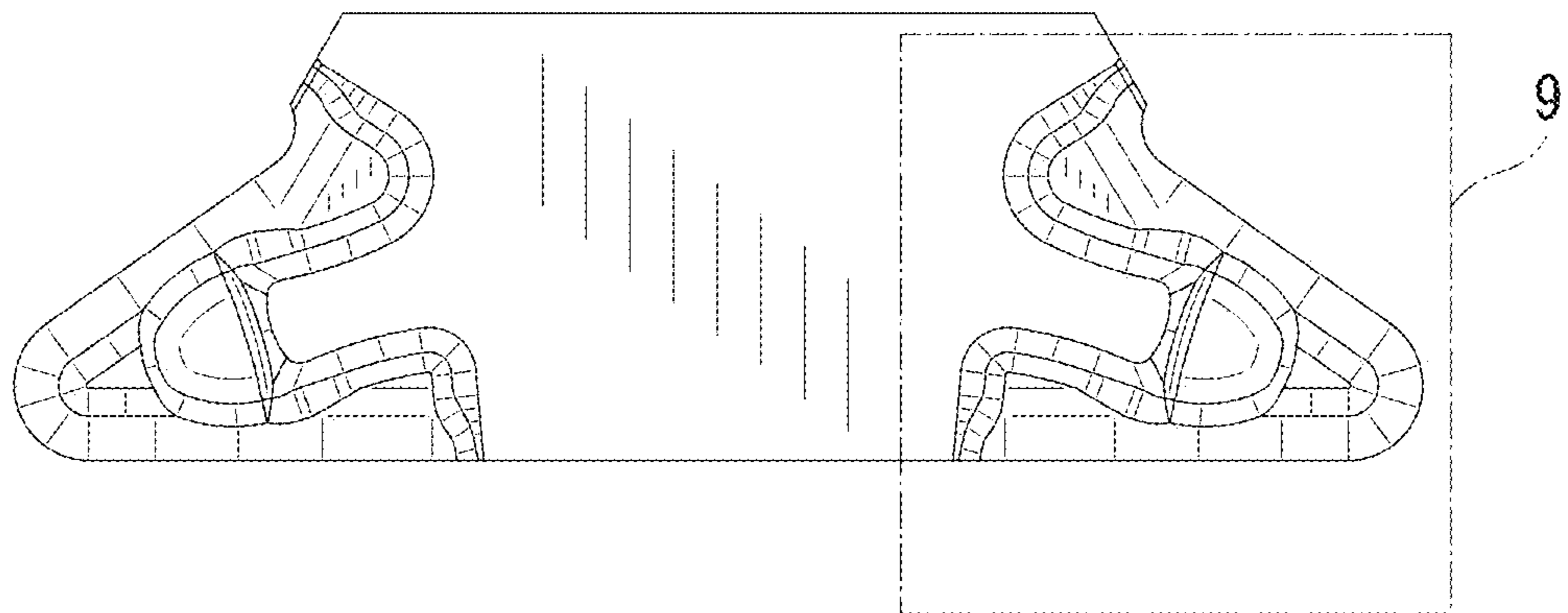


FIG.6

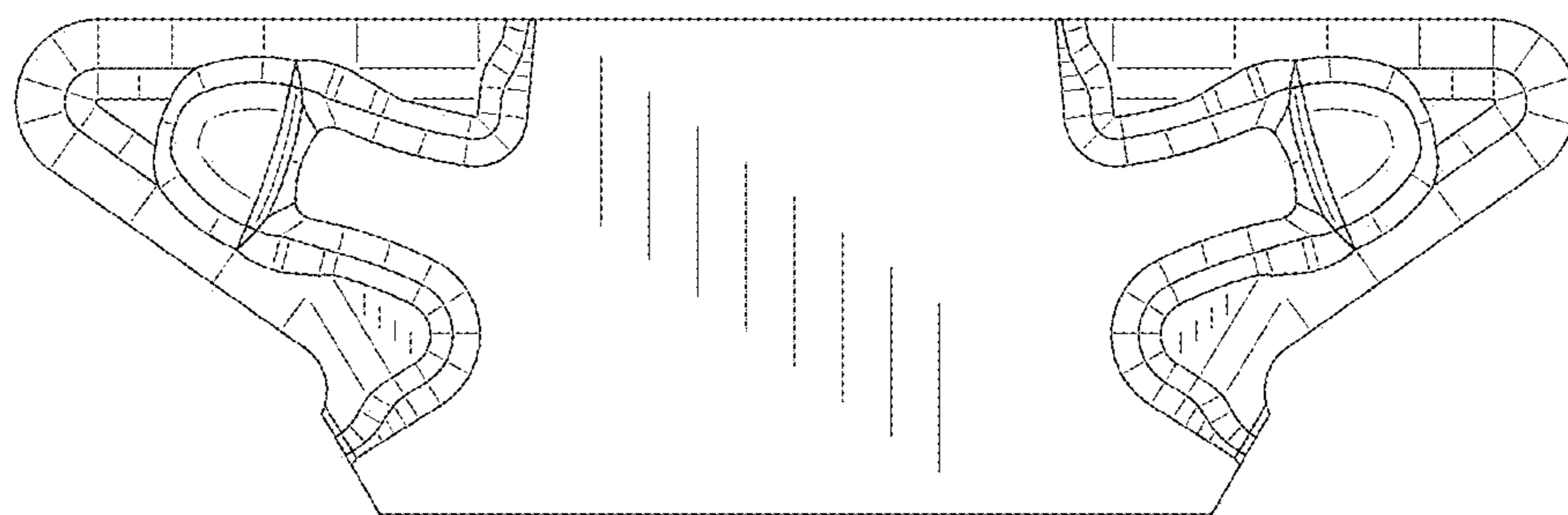


FIG.7

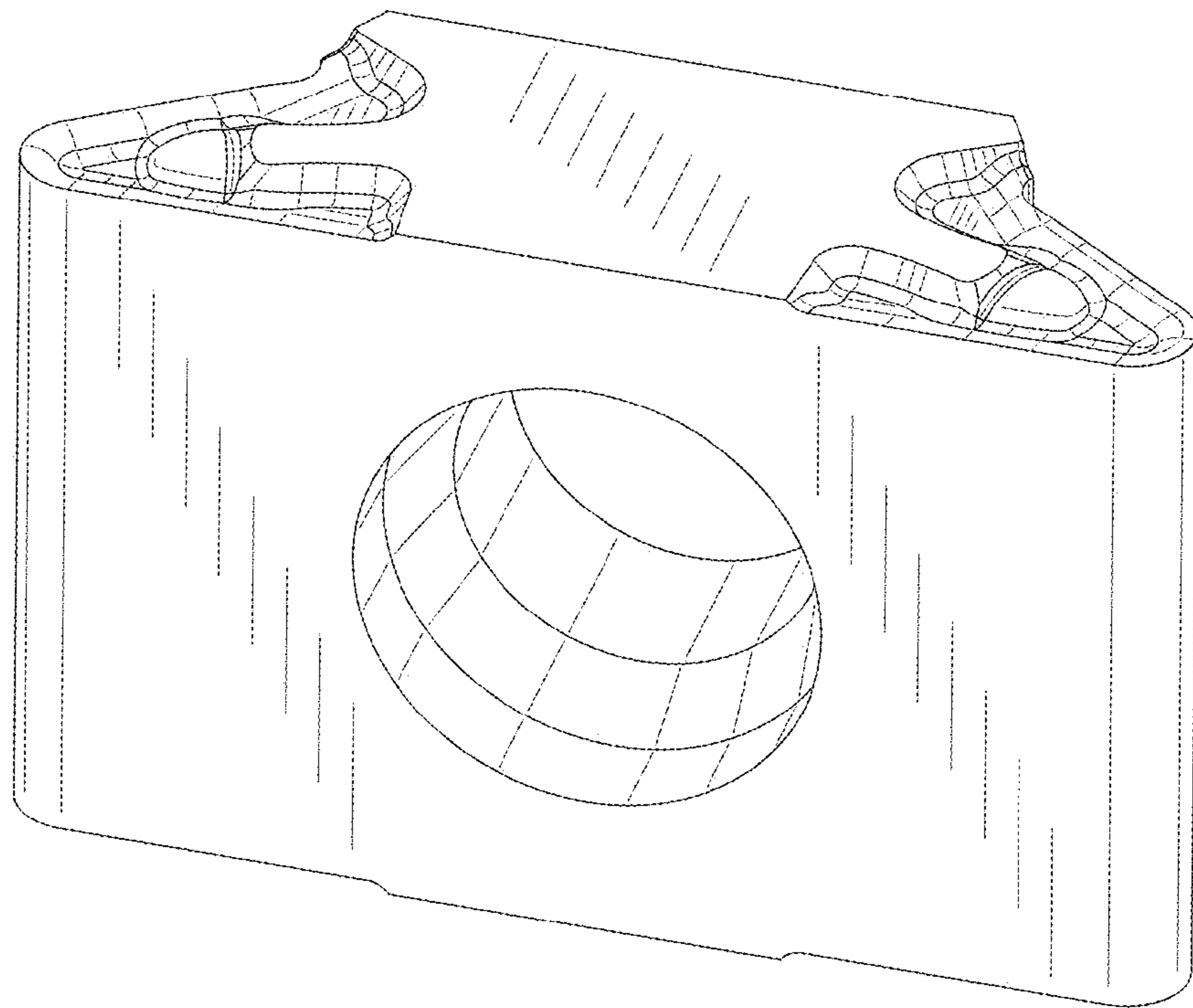


FIG.8

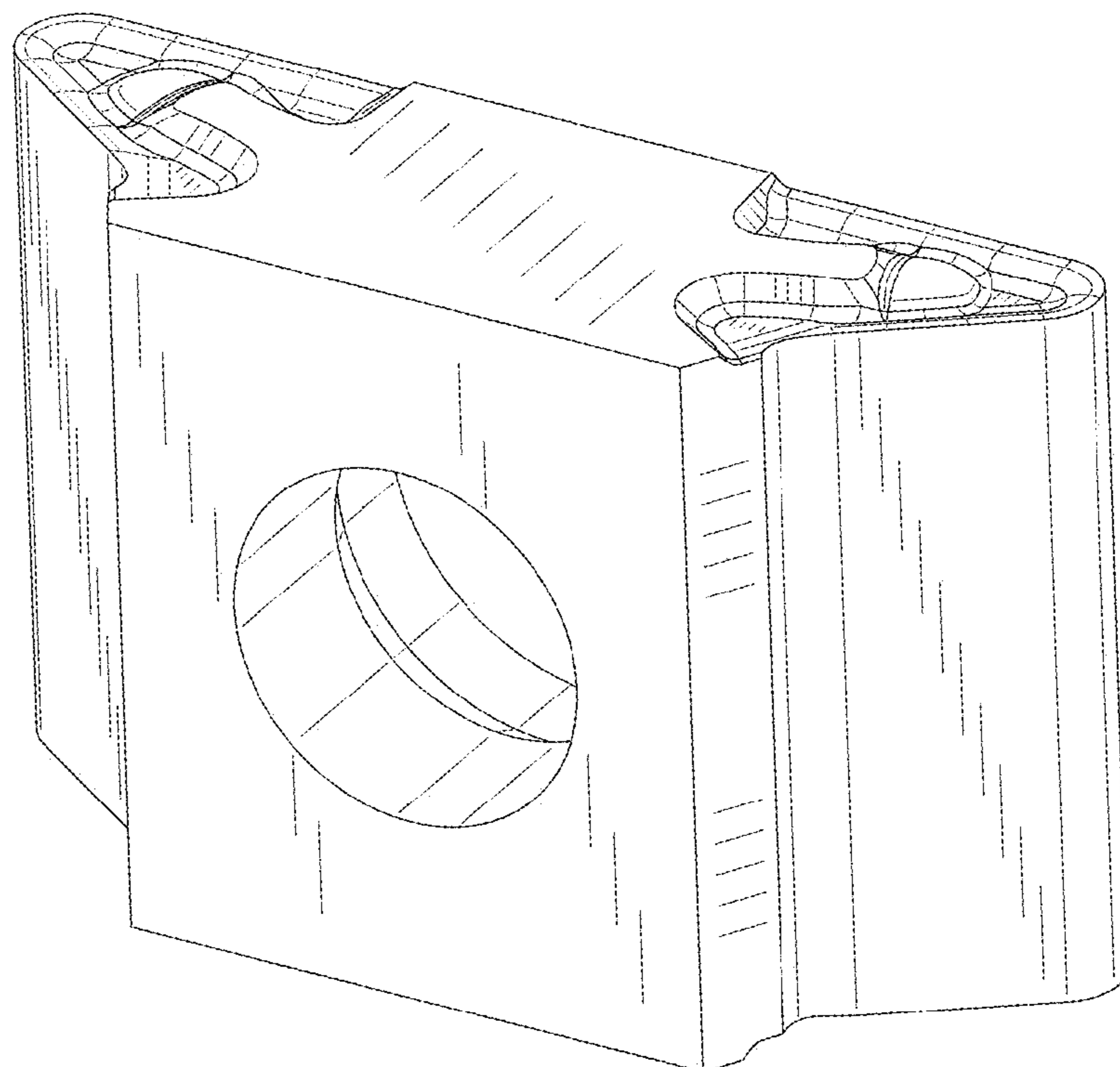


FIG.9

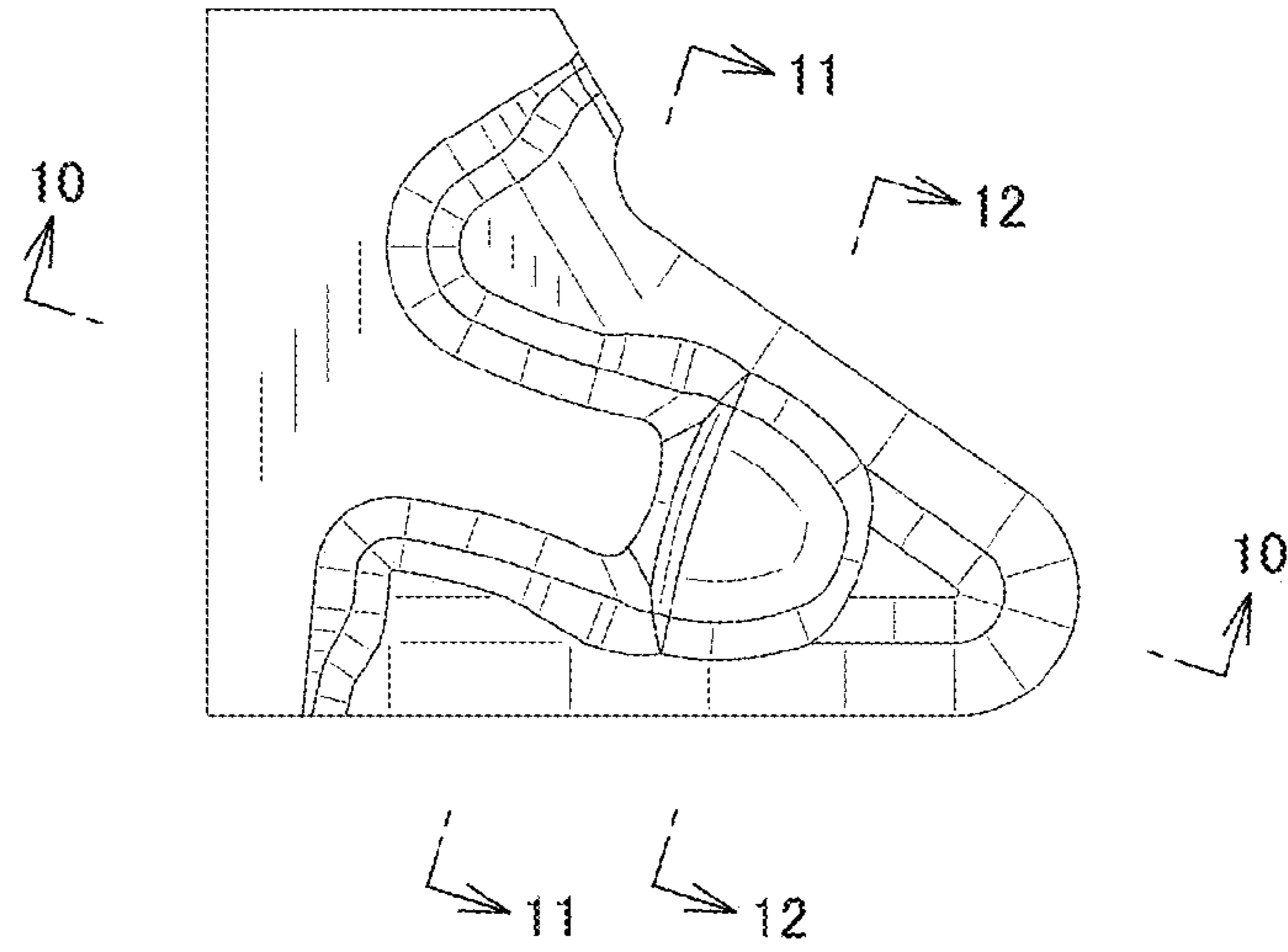


FIG.10

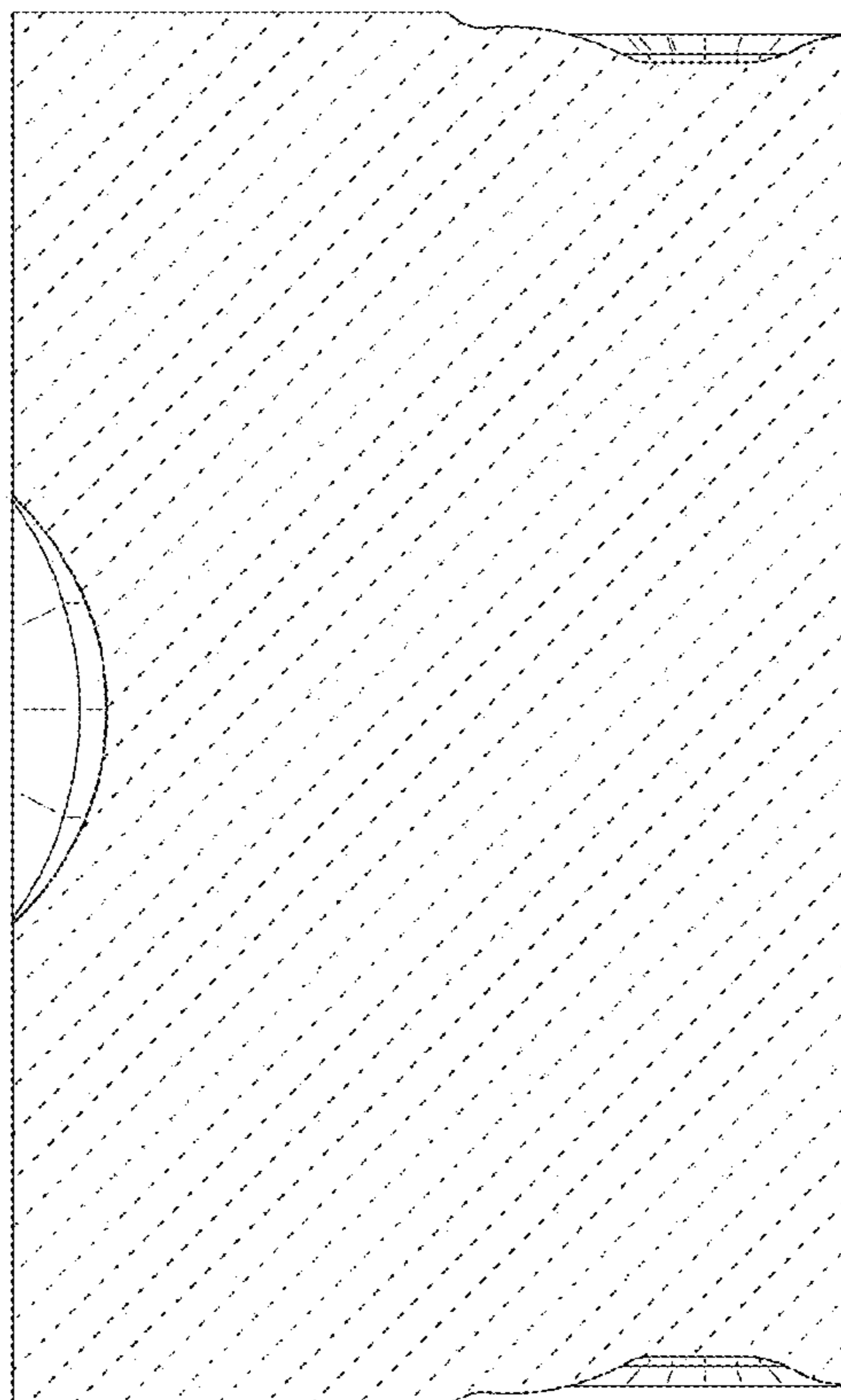


FIG.11

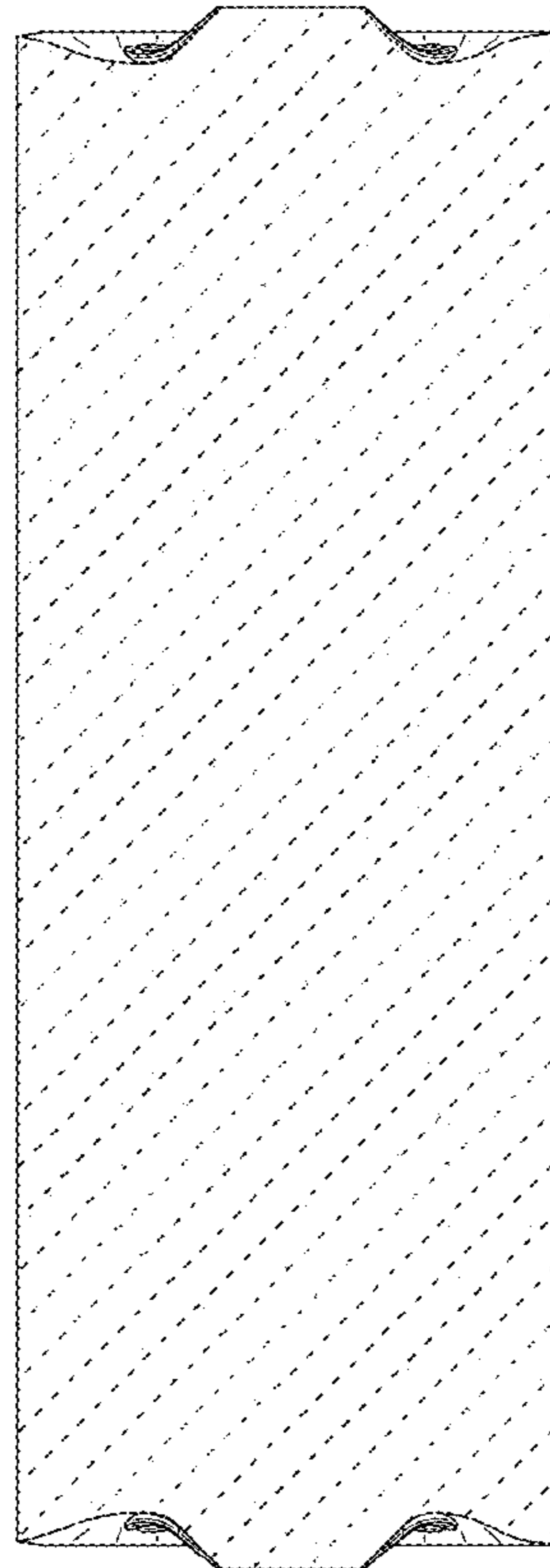


FIG.12

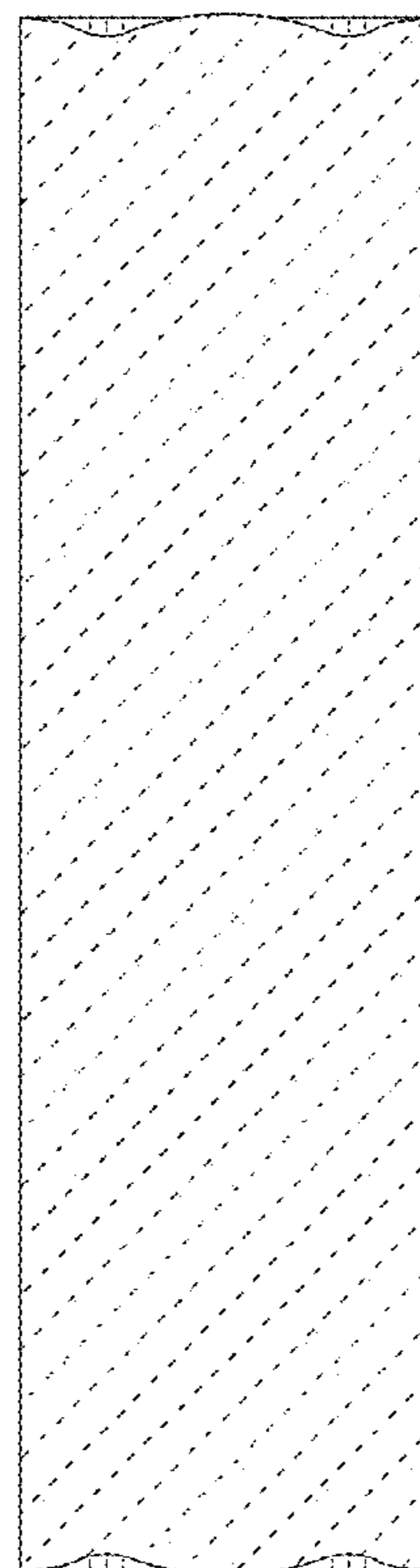




FIG. 13

