



US00D975757S

(12) **United States Design Patent**
Loew

(10) **Patent No.:** **US D975,757 S**
(45) **Date of Patent:** **** Jan. 17, 2023**

(54) **COLD MILLING MACHINE**
(71) Applicant: **BOMAG GmbH**, Boppard (DE)
(72) Inventor: **Roland Loew**, Klein-Winternheim (DE)
(73) Assignee: **BOMAG GmbH**, Boppard (DE)
(**) Term: **15 Years**
(21) Appl. No.: **29/777,597**
(22) Filed: **Apr. 7, 2021**

(30) **Foreign Application Priority Data**

Nov. 9, 2020 (EM) 008262497-0005

(51) **LOC (14) Cl.** **15-09**
(52) **U.S. Cl.**
USPC **D15/131**

(58) **Field of Classification Search**
USPC D8/70, 71; D15/126, 131, 132, 138, 139,
D15/140
CPC B23G 5/182; Y10T 407/1906; Y10T
407/2266; Y10T 407/2272
See application file for complete search history.

(56) **References Cited**

U.S. PATENT DOCUMENTS

D53,687 S * 8/1919 Oesterlein D15/131
D243,972 S * 4/1977 Kucyna D15/131
D258,887 S 4/1981 Swisher, Jr. et al.
D266,850 S 11/1982 Godbersen
D266,851 S * 11/1982 Wada D15/127
D277,104 S * 1/1985 Roch D15/131
D285,084 S * 8/1986 Aldridge, Jr. D15/131
D299,467 S * 1/1989 Ritt D15/131
D301,040 S * 5/1989 Gemmani D15/141
D309,146 S * 7/1990 Nemetz D15/131
D319,834 S * 9/1991 Rutschle D15/138
D328,467 S * 8/1992 Maleschew D15/131

D400,895 S * 11/1998 Schrepfer D15/131
D401,248 S * 11/1998 Schrepfer D15/131
D500,056 S 12/2004 DeYoung et al.
D549,247 S * 8/2007 Yorioka D15/131
D575,329 S 8/2008 Burch Gonzalez et al.
D591,774 S 5/2009 Kokitkar et al.
D591,775 S 5/2009 Kokitkar et al.
D612,873 S * 3/2010 Spinelli D15/131
D621,422 S 8/2010 Loew et al.
D626,573 S 11/2010 Koetting et al.
D635,158 S 3/2011 Berning et al.
D635,159 S 3/2011 Berning et al.
D635,160 S 3/2011 Berning et al.
D635,593 S 4/2011 Berning et al.
D640,297 S * 6/2011 Deville D15/131
D642,599 S 8/2011 Busley
D643,860 S 8/2011 Busley
D657,400 S 4/2012 Loew
D660,883 S 5/2012 Bohme et al.
D671,969 S 12/2012 Yang et al.
D680,563 S 4/2013 Yang et al.
D688,839 S 8/2013 Helm et al.
D696,315 S 12/2013 Schmid
D707,727 S 6/2014 Miller et al.

(Continued)

Primary Examiner — Michael C Stout
Assistant Examiner — Fritzgerald L Butac
(74) *Attorney, Agent, or Firm* — Wood Herron & Evans
LLP

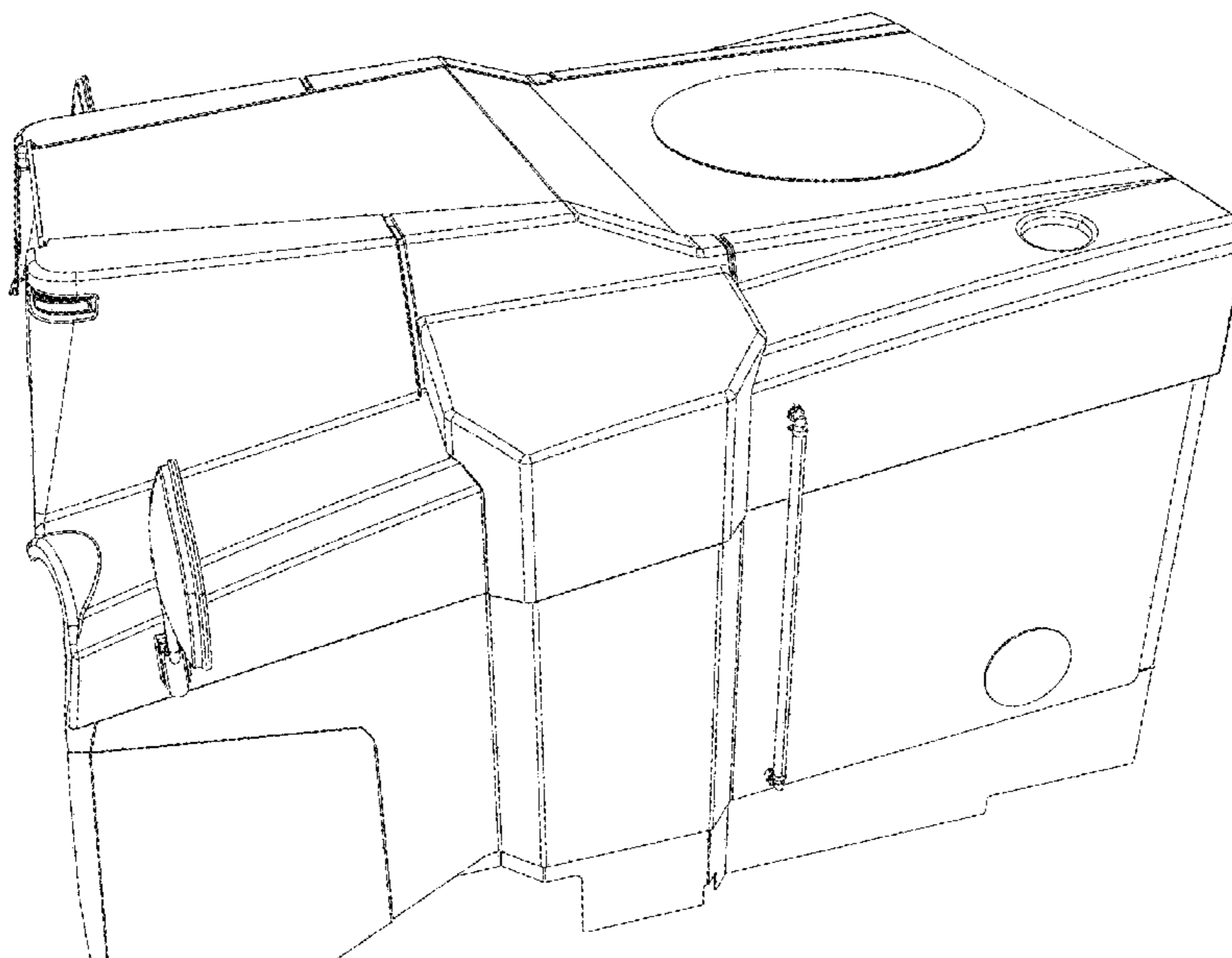
(57) **CLAIM**

The ornamental design for a cold milling machine, as shown and described.

DESCRIPTION

FIG. 1 is a top right perspective view of my new cold milling machine design;
FIG. 2 is a top left perspective view thereof;
FIG. 3 is a right side elevation view thereof; and,
FIG. 4 is a left side elevation view thereof.

1 Claim, 4 Drawing Sheets



(56)

References Cited

U.S. PATENT DOCUMENTS

D711,947 S	8/2014	Son et al.	D849,802 S	5/2019	Loew
D717,850 S	11/2014	Kawai	D854,056 S	7/2019	Futagami et al.
D726,789 S	4/2015	Schmid	D855,084 S	7/2019	Warren et al.
D745,070 S	12/2015	Schindler	D855,088 S *	7/2019	Tinius D15/131
D755,859 S	5/2016	Loew	D858,585 S	9/2019	Jilbert et al.
D774,561 S	12/2016	Loew	D858,586 S	9/2019	Jilbert et al.
D774,562 S	12/2016	Loew	D861,741 S	10/2019	Humphrey et al.
D775,246 S *	12/2016	Seal D15/131	D866,618 S	11/2019	Wilhelmi
D778,963 S	2/2017	Yang et al.	D880,537 S	4/2020	Roach et al.
D781,357 S	3/2017	Inaba et al.	D888,107 S	6/2020	Pederson
D785,054 S	4/2017	Hosozawa et al.	D892,869 S	8/2020	Volpato
D789,426 S	6/2017	Underhill et al.	D894,242 S	8/2020	Loew
D799,562 S	10/2017	Okuyama et al.	D894,243 S	8/2020	Loew
D800,796 S	10/2017	Loew	D896,853 S	9/2020	Park
D800,797 S	10/2017	Loew	D905,140 S *	12/2020	Ferraro D15/131
D806,762 S	1/2018	Loew et al.	D944,297 S	2/2022	Jewison et al.
D807,406 S	1/2018	Loew et al.	D954,760 S	6/2022	Lee et al.
D809,571 S	2/2018	Park	D954,761 S	6/2022	Lee et al.
D819,704 S	6/2018	Loew et al.	D959,503 S	8/2022	Hoogendoorn
D826,133 S	8/2018	Loew et al.	2006/0198701 A1	9/2006	Hall et al.
D837,271 S *	1/2019	Tinius D15/131	2008/0152428 A1	6/2008	Berning et al.
D837,837 S	1/2019	Park	2011/0298188 A1	12/2011	Haubrich et al.
			2012/0068524 A1	3/2012	Hall et al.
			2013/0158802 A1	6/2013	Miller et al.

* cited by examiner

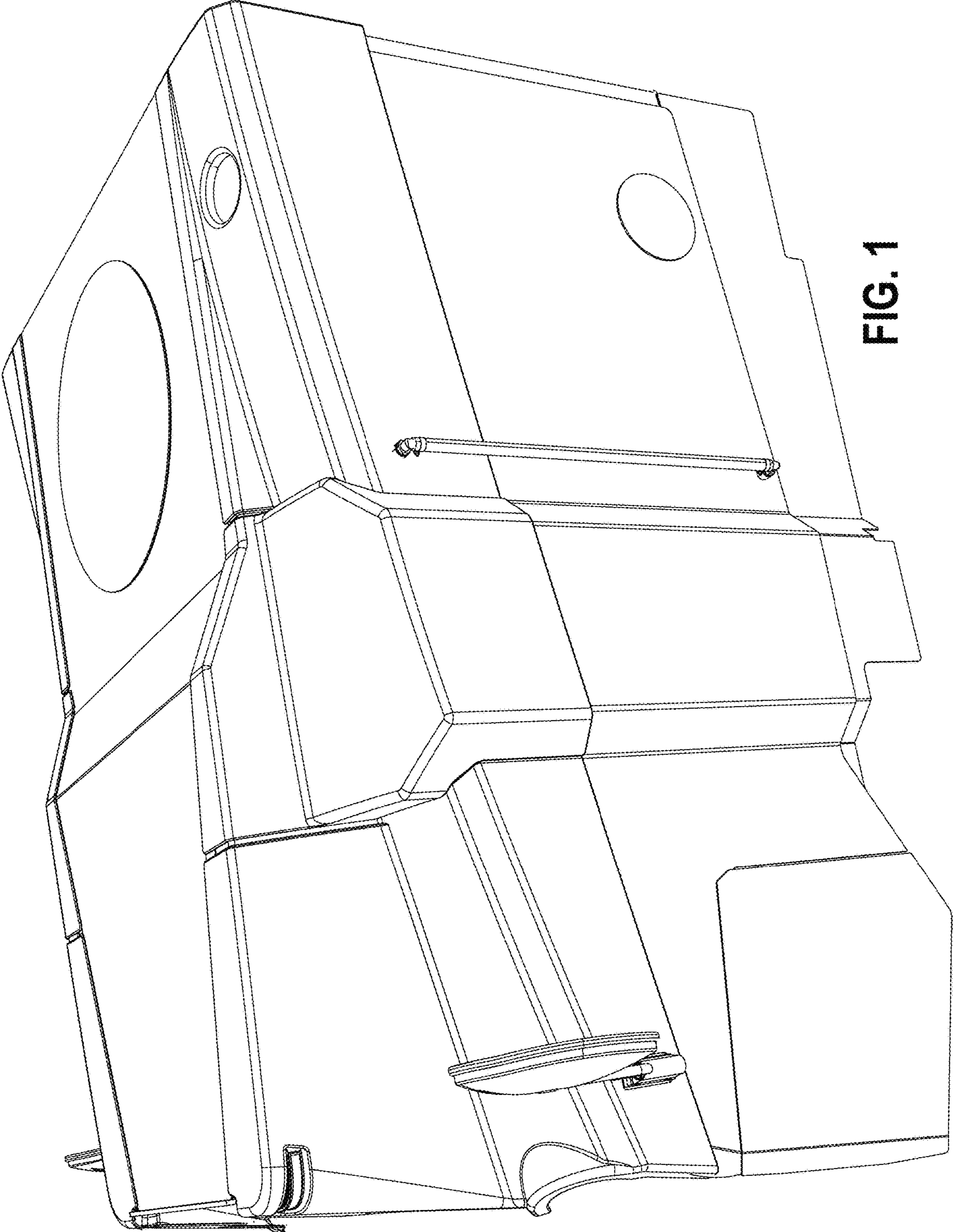


FIG. 1

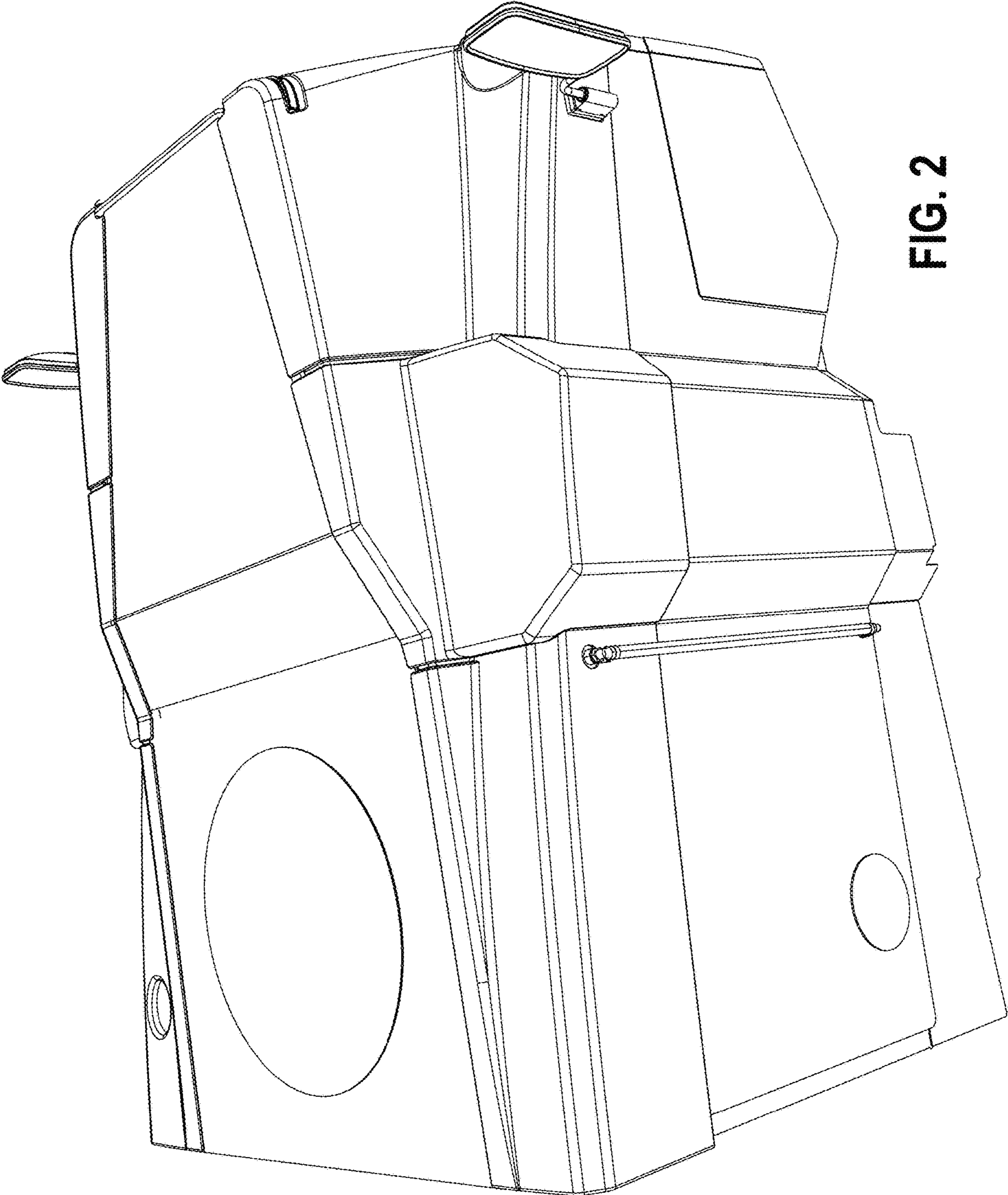


FIG. 2

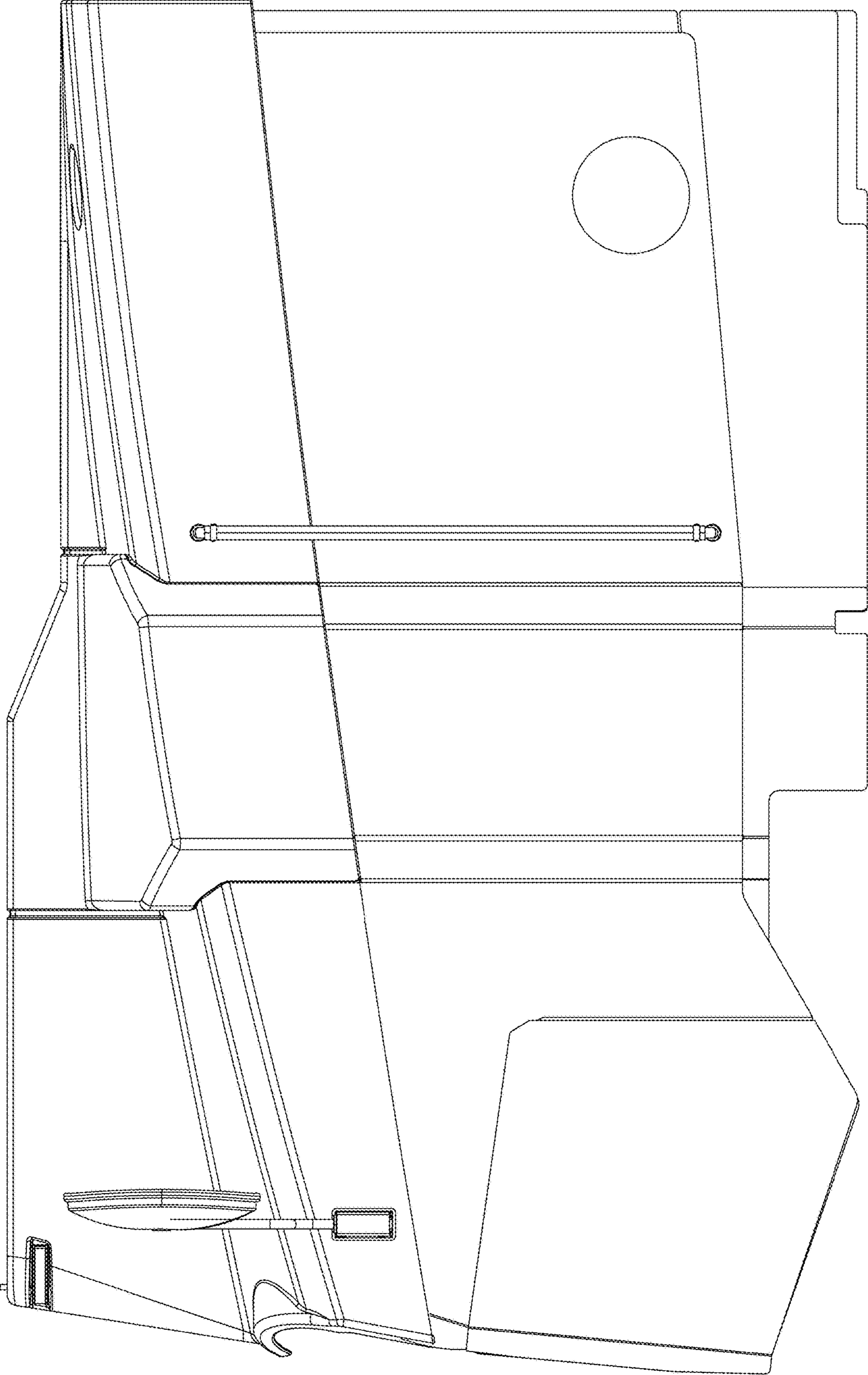


FIG. 3

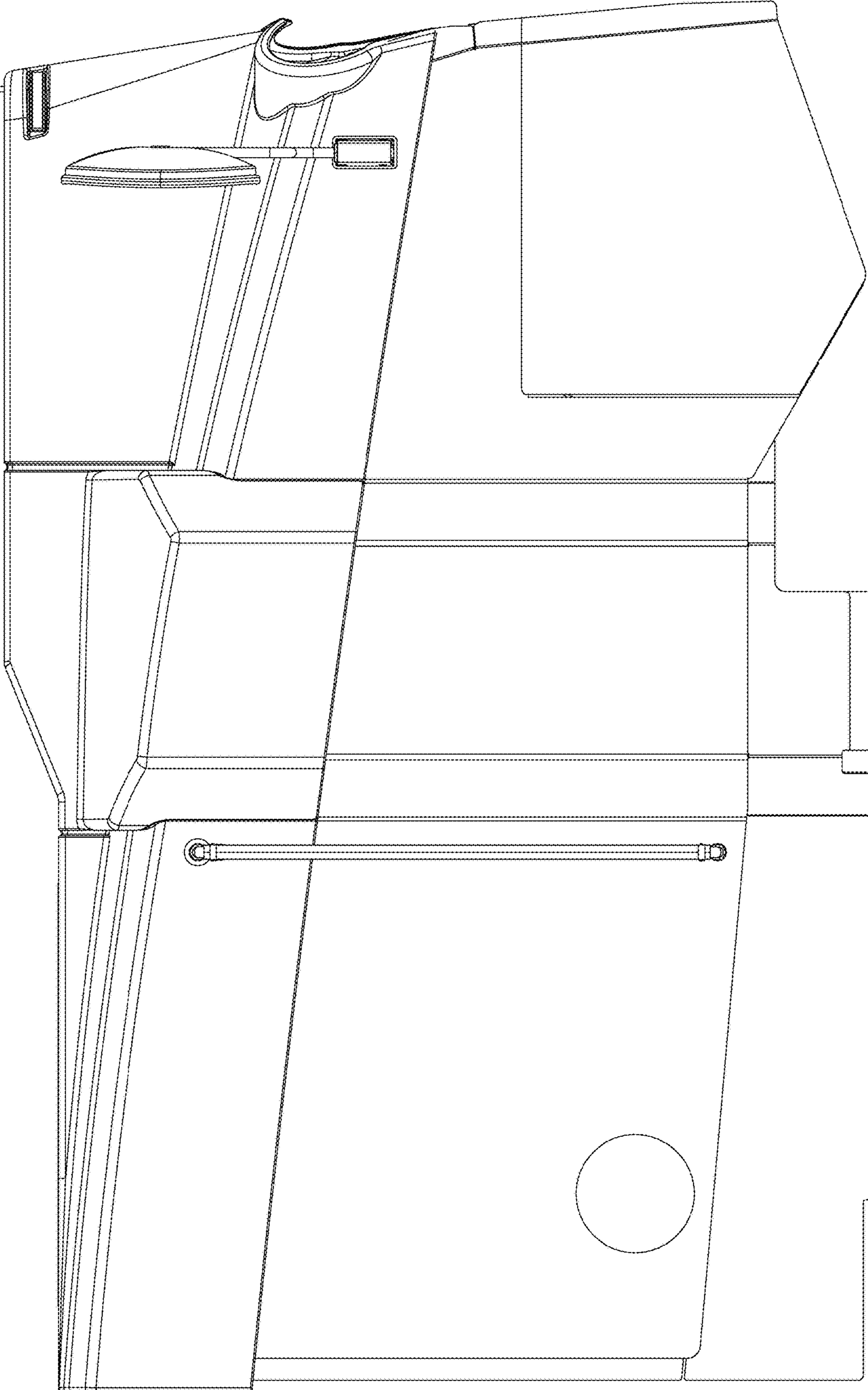


FIG. 4