



US00D975755S

(12) **United States Design Patent**
Li et al.

(10) **Patent No.:** **US D975,755 S**
(45) **Date of Patent:** **** Jan. 17, 2023**

- (54) **3D PRINTER**
- (71) Applicant: **Shenzhen Weistek Co., Ltd,**
Guangdong (CN)
- (72) Inventors: **Zhihong Li,** Guangdong (CN); **Chao Li,** Guangdong (CN); **Aiguo Zheng,** Guangdong (CN); **Wenjuan Chen,** Guangdong (CN)
- (73) Assignee: **Shenzhen Weistek Co., Ltd,** Shenzhen (CN)
- (**) Term: **15 Years**

D810,156 S *	2/2018	Lin	D15/135
D836,690 S *	12/2018	Kim	D15/199
D838,758 S *	1/2019	Kymm	D21/578
D841,702 S *	2/2019	Moroni	D15/122
D868,907 S *	12/2019	Liu	D15/199
D877,994 S *	3/2020	Kim	A47L 5/30
				D15/199
D879,853 S *	3/2020	Baba	D15/199
D881,250 S *	4/2020	Yao	D15/199
D889,535 S *	7/2020	Chen	D18/14
D895,698 S *	9/2020	Palmer	D15/122
D897,162 S *	9/2020	Farid	D7/629
D911,405 S *	2/2021	Ekmekjian	D12/1
D921,718 S *	6/2021	Clark, III	D15/135
D924,292 S *	7/2021	Wei	D15/199
D927,566 S *	8/2021	Yao	D15/122

(Continued)

- (21) Appl. No.: **29/786,853**
- (22) Filed: **Jun. 3, 2021**
- (51) **LOC (14) Cl.** **15-09**
- (52) **U.S. Cl.**
USPC **D15/122**
- (58) **Field of Classification Search**
USPC D15/122, 127, 135, 138, 145;
D21/578-580, 587; D32/21; D34/34;
D18/19, 50, 54, 54.1, 55, 59
CPC . B29C 67/00; B29C 67/0051; B29C 67/0055;
B29C 67/0059
See application file for complete search history.

Primary Examiner — Garth Rademaker
Assistant Examiner — Fritzgerald L Butac

(57) **CLAIM**

The ornamental design for a 3D printer, as shown and described.

DESCRIPTION

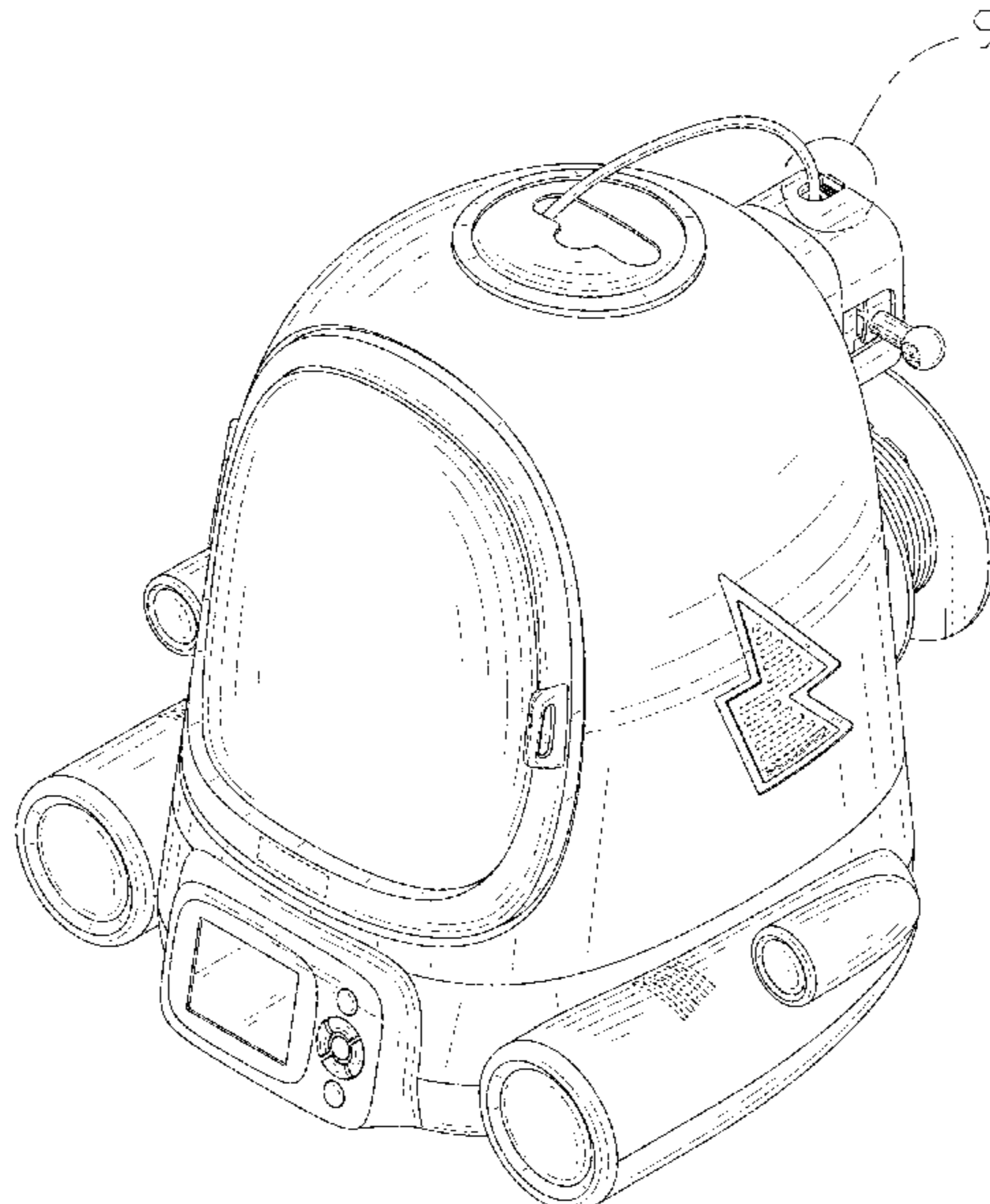
FIG. 1 is a top, front and right side perspective view of a 3D printer showing our new design;
 FIG. 2 is a bottom, rear and left side perspective view thereof;
 FIG. 3 is a front elevational view thereof;
 FIG. 4 is a rear elevational view thereof;
 FIG. 5 is a left side view thereof;
 FIG. 6 is a right side view thereof;
 FIG. 7 is a top plan view thereof;
 FIG. 8 is a bottom plan view thereof; and,
 FIG. 9 is an enlarged view of portion 9 in FIG. 1.
 The broken lines in the drawings illustrate portions of the 3D printer which form no part of the claimed design.
 The oblique shade lines in the drawings represent a reflective surface.

(56) **References Cited**

U.S. PATENT DOCUMENTS

D315,624 S *	3/1991	Kimura	D32/23
D527,152 S *	8/2006	Chen	D32/21
D552,810 S *	10/2007	Shin	D32/21
D599,512 S *	9/2009	Lee	D32/21
D601,315 S *	9/2009	Lee	D32/21
D685,438 S *	7/2013	Fan	D15/199
D710,953 S *	8/2014	Katsutani	D15/199
D761,894 S *	7/2016	Ho	D21/578
D787,574 S *	5/2017	Lee	D15/122
D809,574 S *	2/2018	Lin	D15/135

1 Claim, 9 Drawing Sheets



(56)

References Cited

U.S. PATENT DOCUMENTS

D930,726	S	*	9/2021	Vaswani	D15/199
D934,926	S	*	11/2021	Hong	D15/122
D938,502	S	*	12/2021	Yang	D15/122
D944,879	S	*	3/2022	Takagi	D15/199
D958,862	S	*	7/2022	Li	D15/199

* cited by examiner

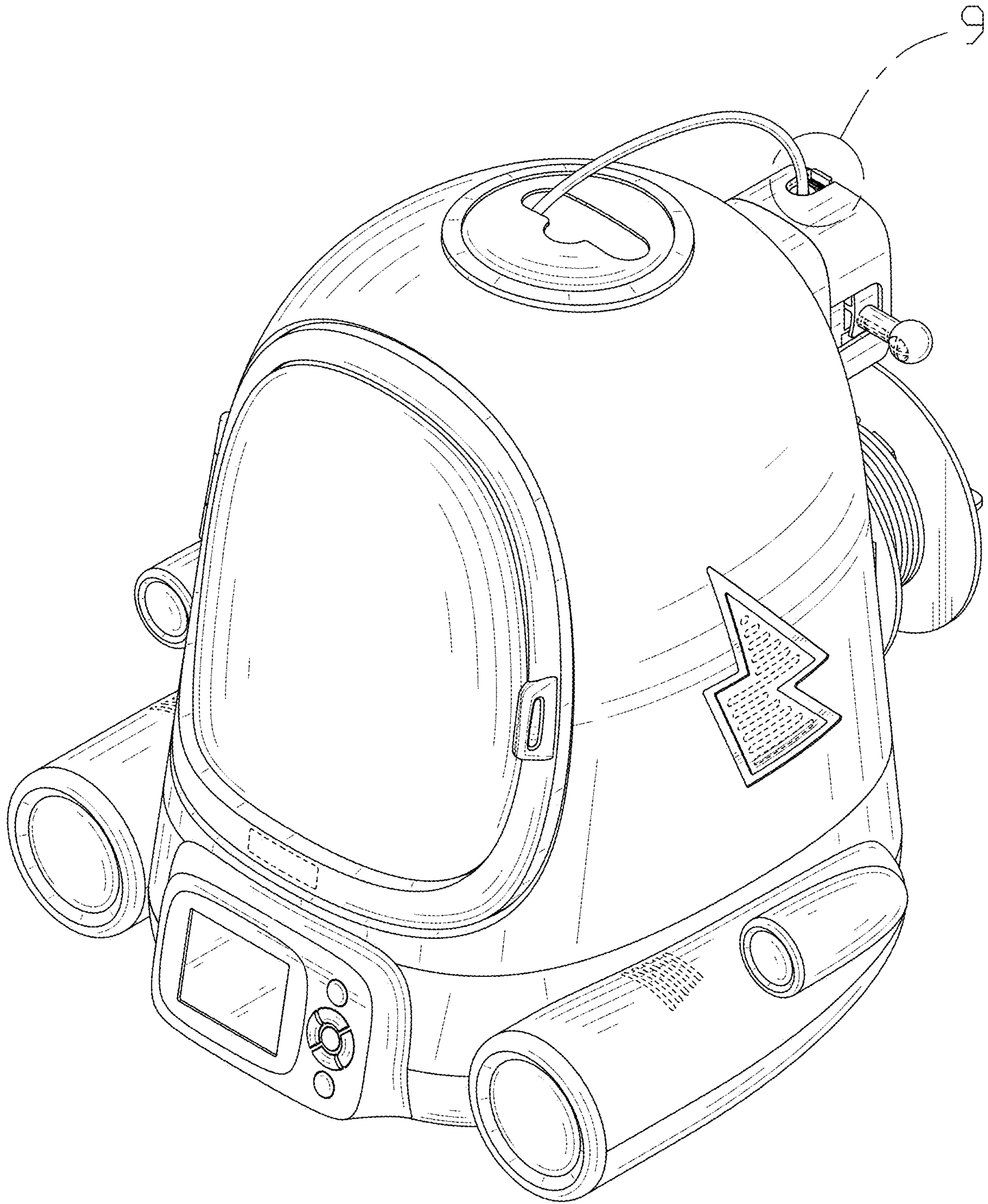


FIG. 1

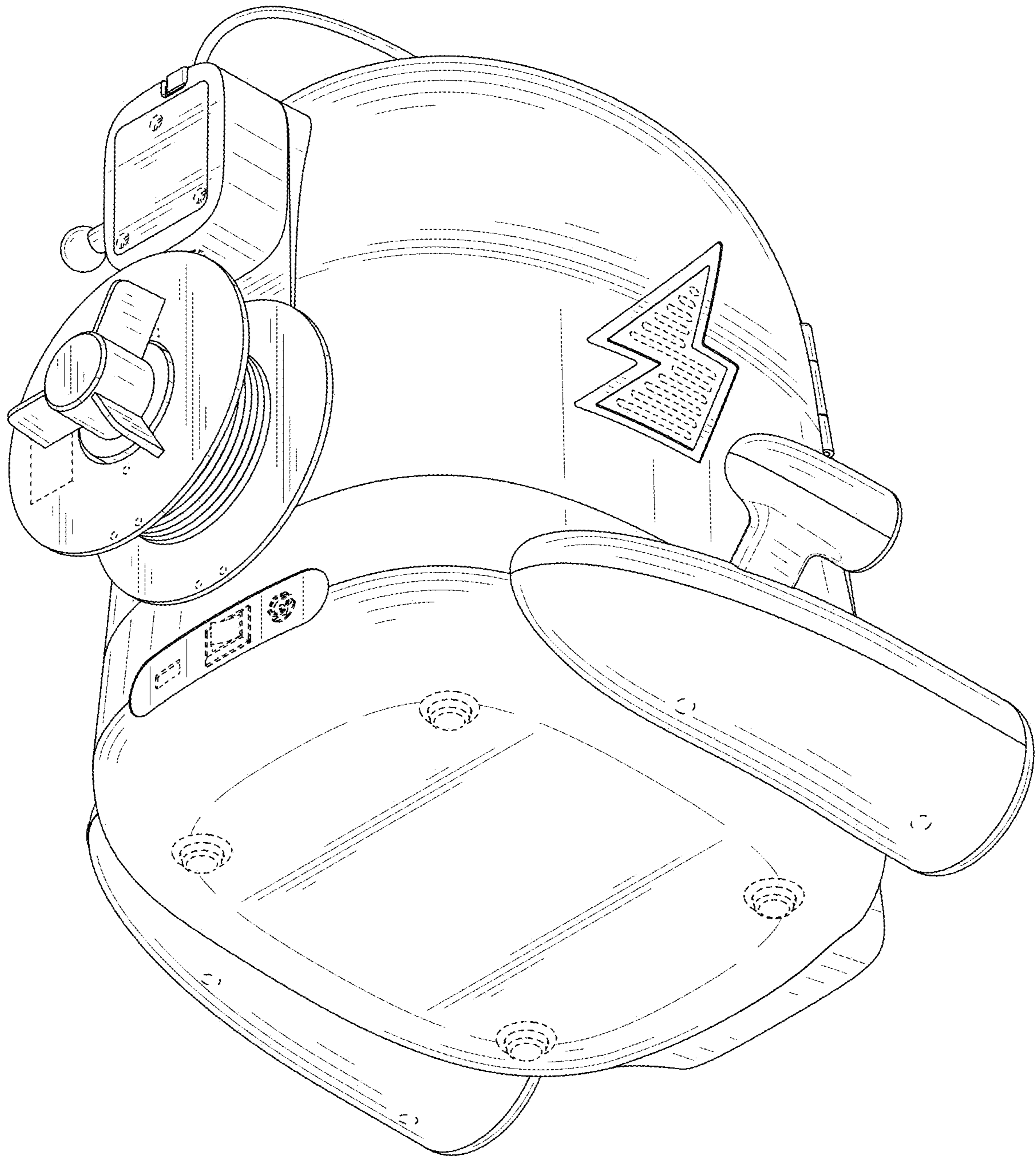


FIG. 2

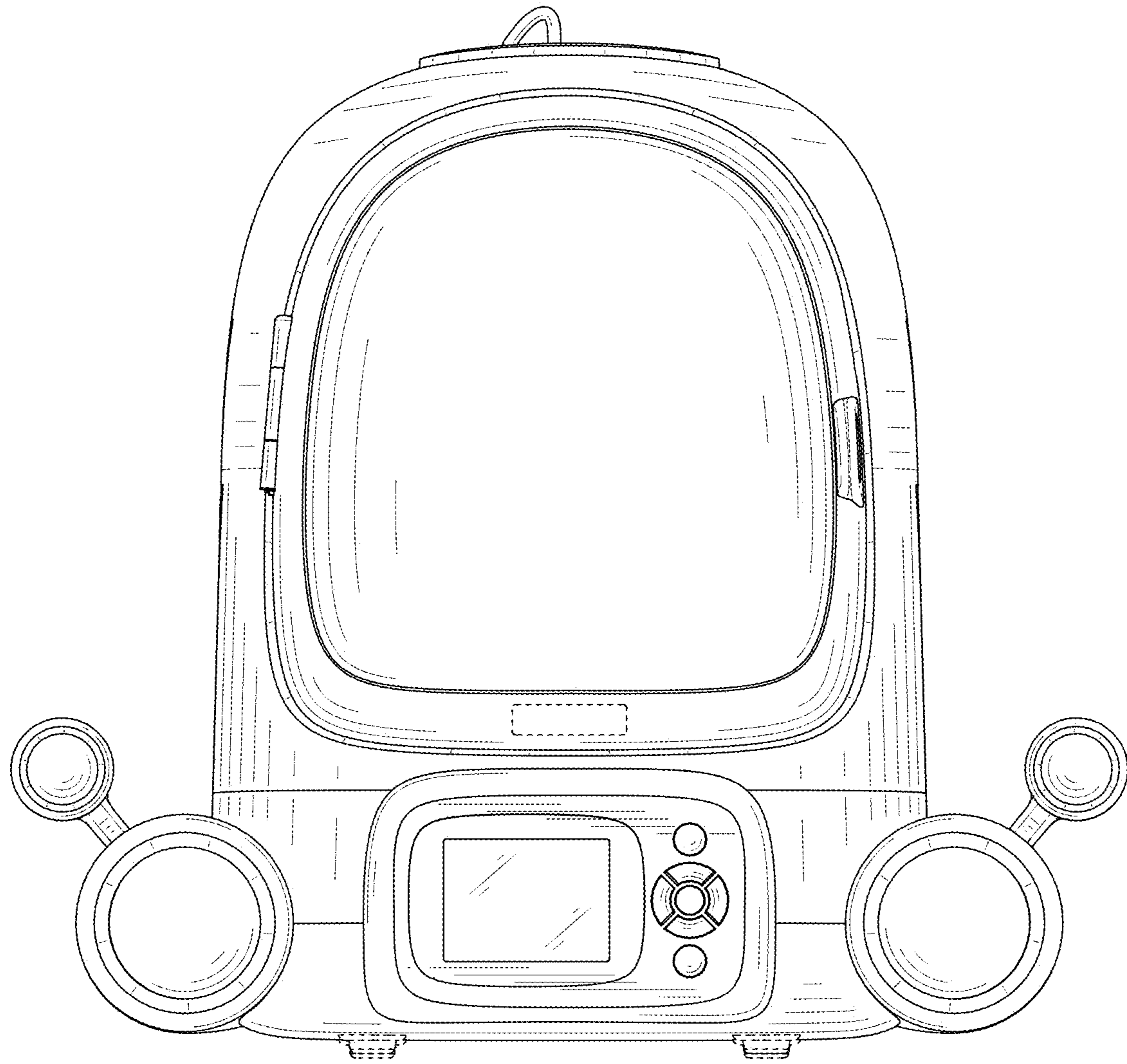


FIG. 3

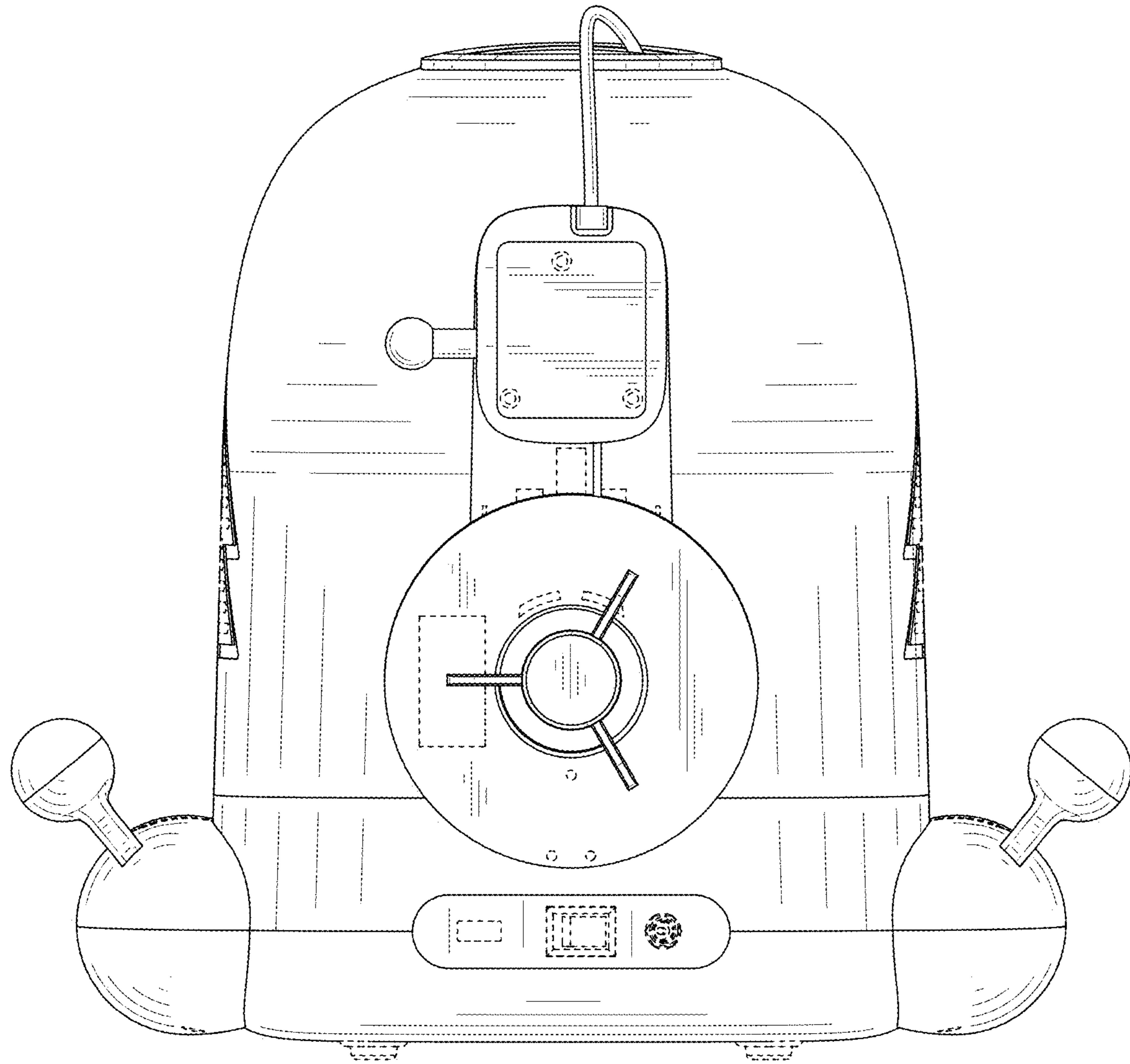


FIG. 4

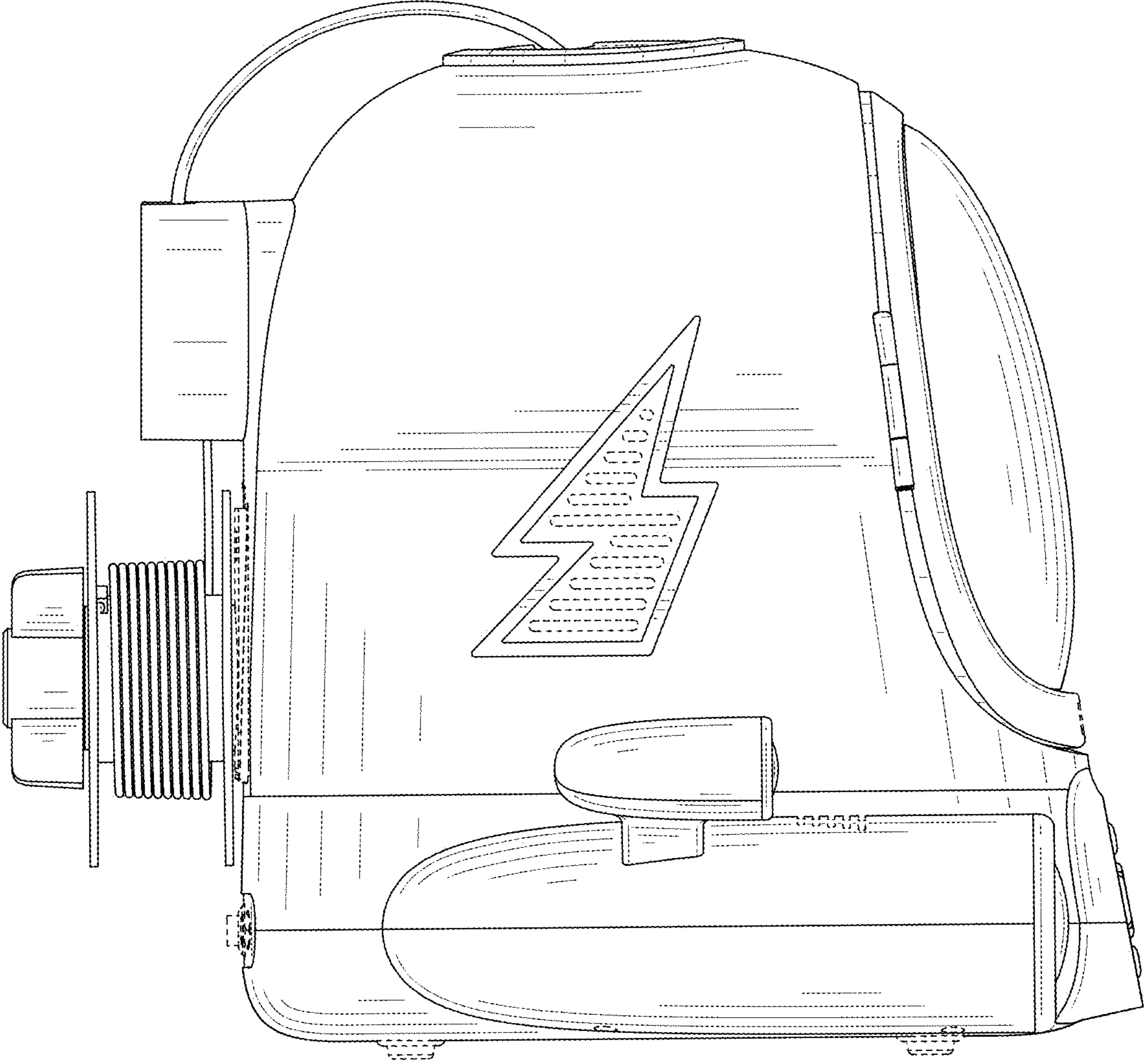


FIG. 5

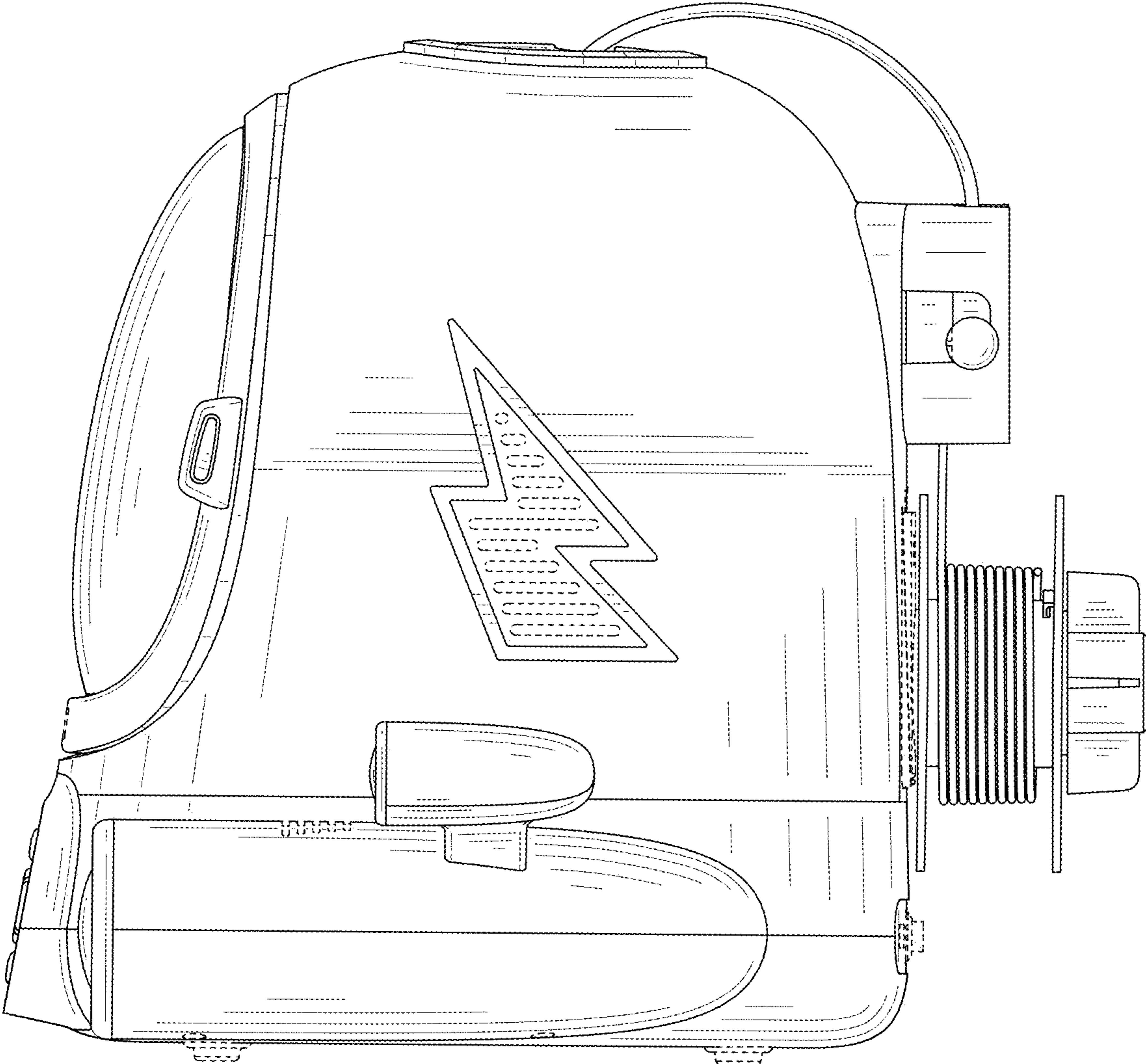


FIG. 6

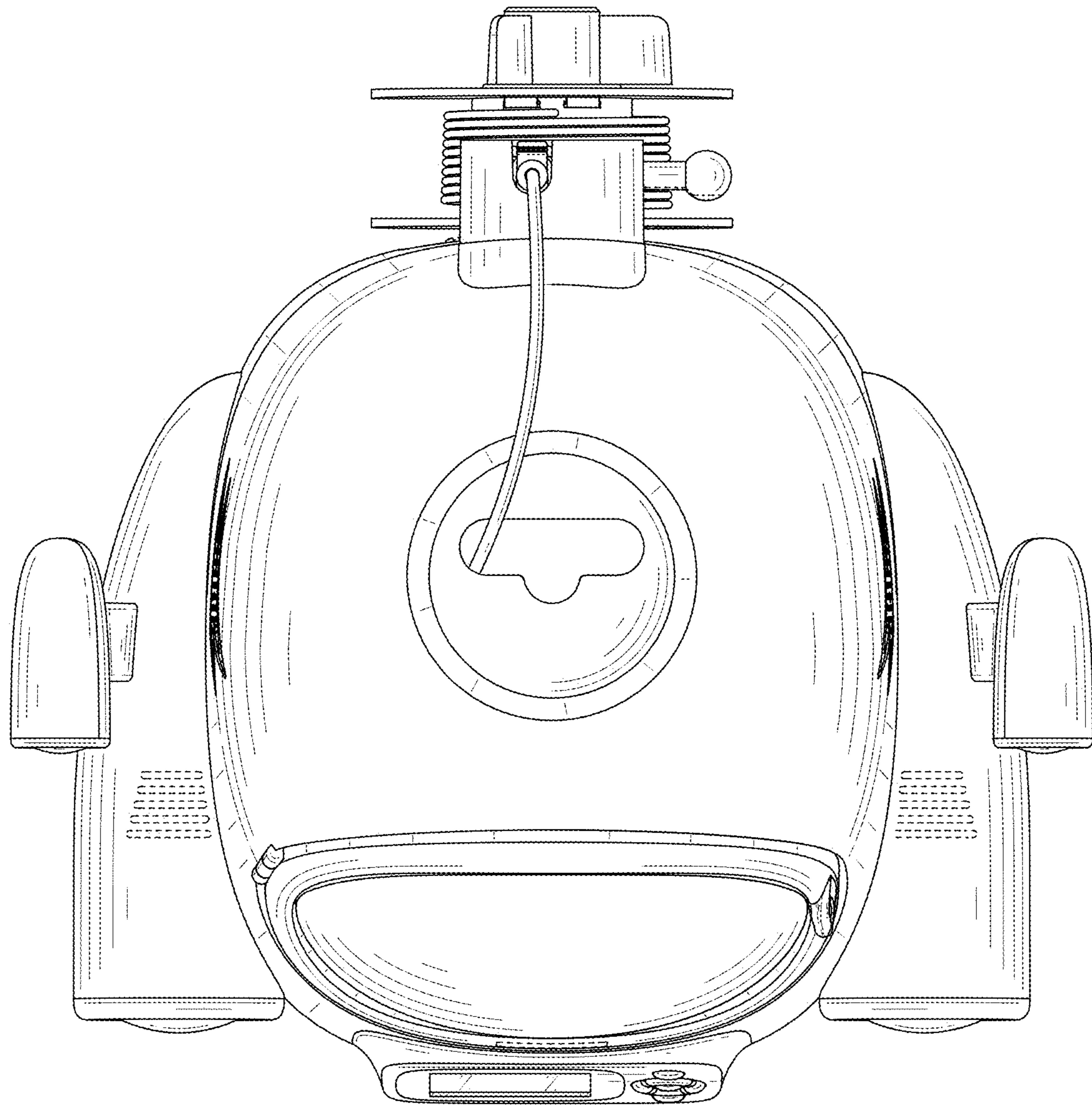


FIG. 7

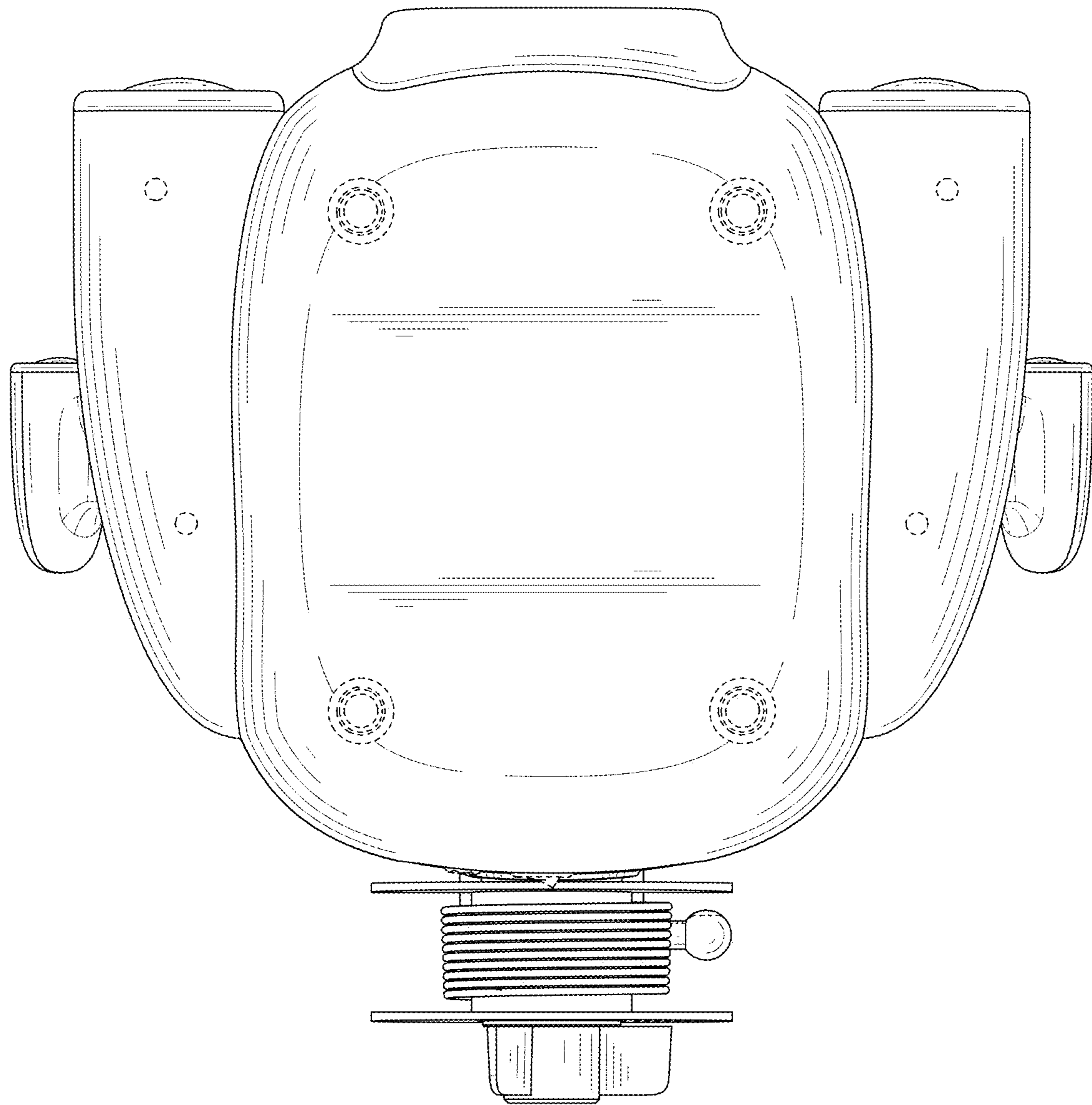


FIG. 8

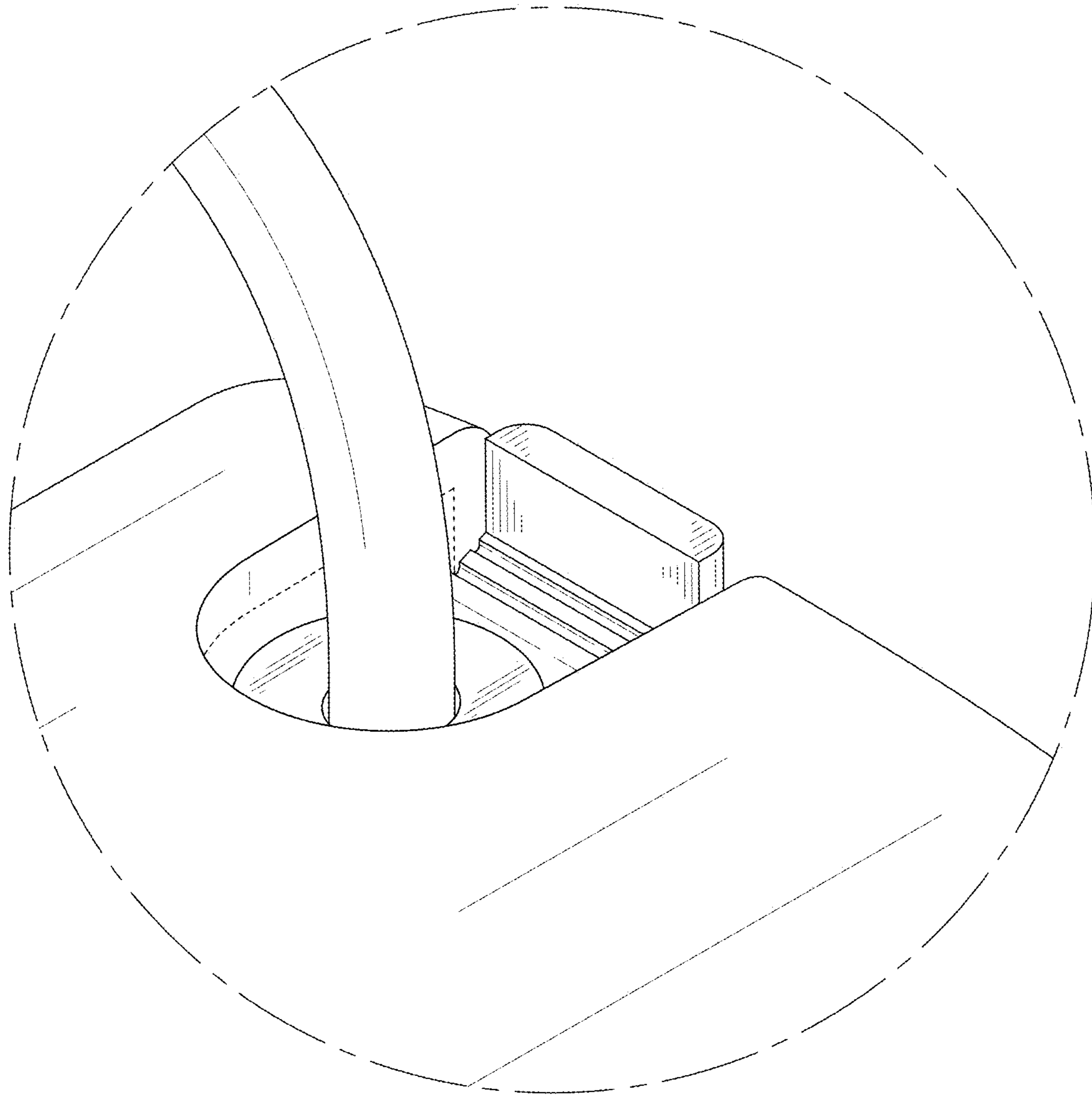


FIG. 9