



US00D975754S

(12) **United States Design Patent** (10) **Patent No.:** **US D975,754 S**
Kusick (45) **Date of Patent:** **** Jan. 17, 2023**

- (54) **SHELVING SYSTEM FOR CELLAR**
- (71) Applicants: **CELLAR SOLUTIONS INC.**, Surrey (CA); **9300-5965 QUEBEC INC.**, Montreal (CA)
- (72) Inventor: **Michael Kusick**, White Rock (CA)
- (73) Assignees: **CELLAR SOLUTIONS INC.**, British Columbia (CA); **9300-5965 QUEBEC INC.**, Quebec (CA)
- (**) Term: **15 Years**
- (21) Appl. No.: **29/795,977**
- (22) Filed: **Jun. 22, 2021**

Related U.S. Application Data

- (63) Continuation of application No. 17/132,833, filed on Dec. 23, 2020, now abandoned, which is a
(Continued)
- (51) **LOC (14) Cl.** **15-07**
- (52) **U.S. Cl.**
USPC **D15/89**
- (58) **Field of Classification Search**
USPC D15/79-91; D3/301, 309, 315;
D7/552.1, 701-708
CPC F25D 23/028; F25D 11/02; F25D 23/126;
F25D 25/02; F25D 27/00; F25D 27/005;
F25D 23/025; F25D 23/04; F25D
2323/021; F25D 2323/023; F25D 23/062;
F25D 25/025; F25D 17/045; F25D
2325/021; F25D 2325/022; F25D 23/00;
F25D 23/02; F25D 23/067; F25D 23/069;
F25D 2400/361; F25D 2500/02; F25D
2500/06; F25D 25/024; F25D 29/00;
F25D 11/00; F25D 11/022; F25D 17/065;
F25D 21/04; F25D 2317/061; F25D
2317/063; F25D

(Continued)

- (56) **References Cited**
U.S. PATENT DOCUMENTS
3,403,789 A 10/1968 La Morte et al.
4,577,765 A 3/1986 Crosby
(Continued)

- FOREIGN PATENT DOCUMENTS
CA 2472096 A1 8/2003
CN 203897879 U 10/2014
(Continued)

- OTHER PUBLICATIONS
Office Action of Canadian Application No. 3,029,449 dated Mar. 25, 2019, 4 pages.
(Continued)

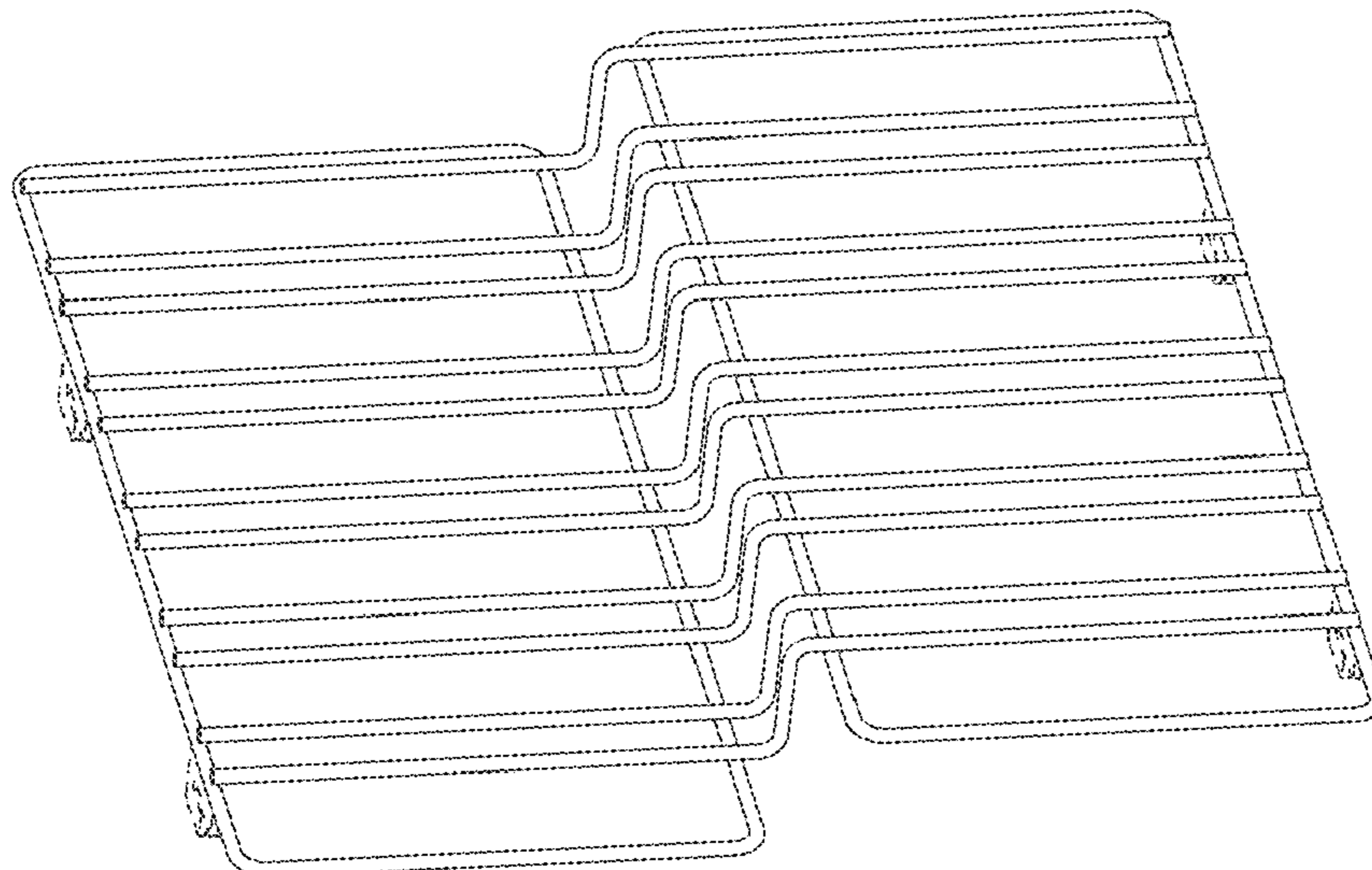
Primary Examiner — Khawaja Anwar
(74) *Attorney, Agent, or Firm* — Brooks Kushman P.C.

- (57) **CLAIM**
The ornamental design for a shelving system for a cellar, as shown and described.

DESCRIPTION

FIG. 1 is a top perspective view of the shelving system for a cellar.
 FIG. 2 is top-right side perspective view of the shelving system of FIG. 1.
 FIG. 3 is a top view of the shelving system of FIG. 1.
 FIG. 4 is a front view of the shelving system of FIG. 1, where the back view is a mirror image.
 FIG. 5 is a right side view of the shelving system of FIG. 1; and,
 FIG. 6 is a perspective view of a cellar showing exemplary use of the shelving system of FIG. 1.
 The broken lines are for illustrative purposes only and form no part of the claimed design.

1 Claim, 4 Drawing Sheets



Related U.S. Application Data

continuation of application No. 16/313,966, filed on Dec. 28, 2018, now Pat. No. 10,874,211.

(58) **Field of Classification Search**

CPC 2317/0651; F25D 2317/0653; F25D 2317/0661; F25D 2317/0665; F25D 2323/121; F25D 2323/122; F25D 2327/00; F25D 2327/001; F25D 2331/81; F25D 23/021; F25D 23/06; F25D 23/066; F25D 23/10; F25D 23/12; F25D 2400/00; F25D 2400/02; F25D 2400/04; F25D 2400/16; F25D 2400/36; F25D 2400/40; F25D 25/022; F25D 25/027; F25D 25/028; F25D 2600/02; F25D 2600/06; F25D 2700/00; F25D 2700/04; F25D 2700/12; F25D 2700/122; F25D 2700/14; F25D 29/005; F25D 31/00; F25D 31/002; F25D 31/005

See application file for complete search history.

(56) **References Cited**

U.S. PATENT DOCUMENTS

D475,374 S	6/2003	Segers	
6,763,956 B2	7/2004	Woods	
D512,731 S *	12/2005	Grobleben	D15/89
6,981,597 B2	1/2006	Cash	
7,063,219 B2 *	6/2006	Fann	A47B 96/025 211/74
7,204,570 B2	4/2007	Benitsch et al.	
D554,160 S *	10/2007	Morrison	D15/89
7,350,647 B2	4/2008	Haller et al.	
7,806,278 B2	10/2010	Brida	
8,132,871 B1	3/2012	Caruso	
D660,327 S	5/2012	Doberstein et al.	
8,276,769 B2	10/2012	Hogeback	
8,684,194 B2	4/2014	McCain	
8,833,875 B2	9/2014	Arslankiray et al.	
8,869,997 B2	10/2014	Collini	
D723,593 S	3/2015	Ryu et al.	
D724,631 S	3/2015	Kim et al.	
D726,455 S	4/2015	Collini	
9,078,516 B2	7/2015	Vogel	
9,251,724 B2	2/2016	Hottman et al.	
9,326,602 B2	5/2016	Gupta	
D799,252 S	10/2017	Coretti, Jr. et al.	
D800,800 S	10/2017	Park et al.	
D826,995 S	8/2018	Diamond et al.	

D847,220 S *	4/2019	Strum	D15/89
D849,065 S	5/2019	Diamond et al.	
10,874,211 B2 *	12/2020	Kusick	A47B 73/002
D910,089 S *	2/2021	Hynes	D15/89
D919,676 S *	5/2021	Landig	F25D 25/02 D15/79
D929,161 S *	8/2021	Stephenson	D6/675.5
2005/0258118 A1 *	11/2005	Lee	A47B 73/002 211/134
2006/0219648 A1	10/2006	Vinals Calduch	
2007/0176529 A1	4/2007	Benitsch et al.	
2007/0228909 A1 *	10/2007	Hwang	F25D 31/007 312/408
2009/0120886 A1	5/2009	Weiss et al.	
2009/0152219 A1	6/2009	Brida	
2009/0178427 A1 *	7/2009	Eichman	F25D 25/024 62/331
2012/0273444 A1	11/2012	McCain	
2013/0119004 A1	5/2013	Lange	
2013/0146552 A1 *	6/2013	Grimes	A47B 88/48 211/126.15
2013/0233814 A1	9/2013	Gupta	
2015/0034577 A1 *	2/2015	Cash	A47B 49/00 211/74
2016/0037917 A1	2/2016	Li et al.	
2016/0183679 A1	6/2016	McCain	

FOREIGN PATENT DOCUMENTS

CN	205493139 U	8/2016
DE	202013105392 U1	2/2014
DE	102014108579 A1	12/2015
FR	1577963 A	8/1969
FR	2869517 B1	11/2005
FR	2870699 A1	12/2005
FR	2929812 A1	10/2009
JP	2001197975 A	7/2001
JP	2001240225 A1	9/2001
WO	2005048779 A1	6/2005
WO	2005055766 A1	6/2005

OTHER PUBLICATIONS

Written Opinion of the International Searching Authority for International Application No. PCT/CA2017/050521 dated Sep. 5, 2017, 4 pgs.
International Publication No. WO2018/068128A1 for International Application No. PCT/CA2017/050521 with International Search Report dated Apr. 19, 2018, 57 pgs.

* cited by examiner

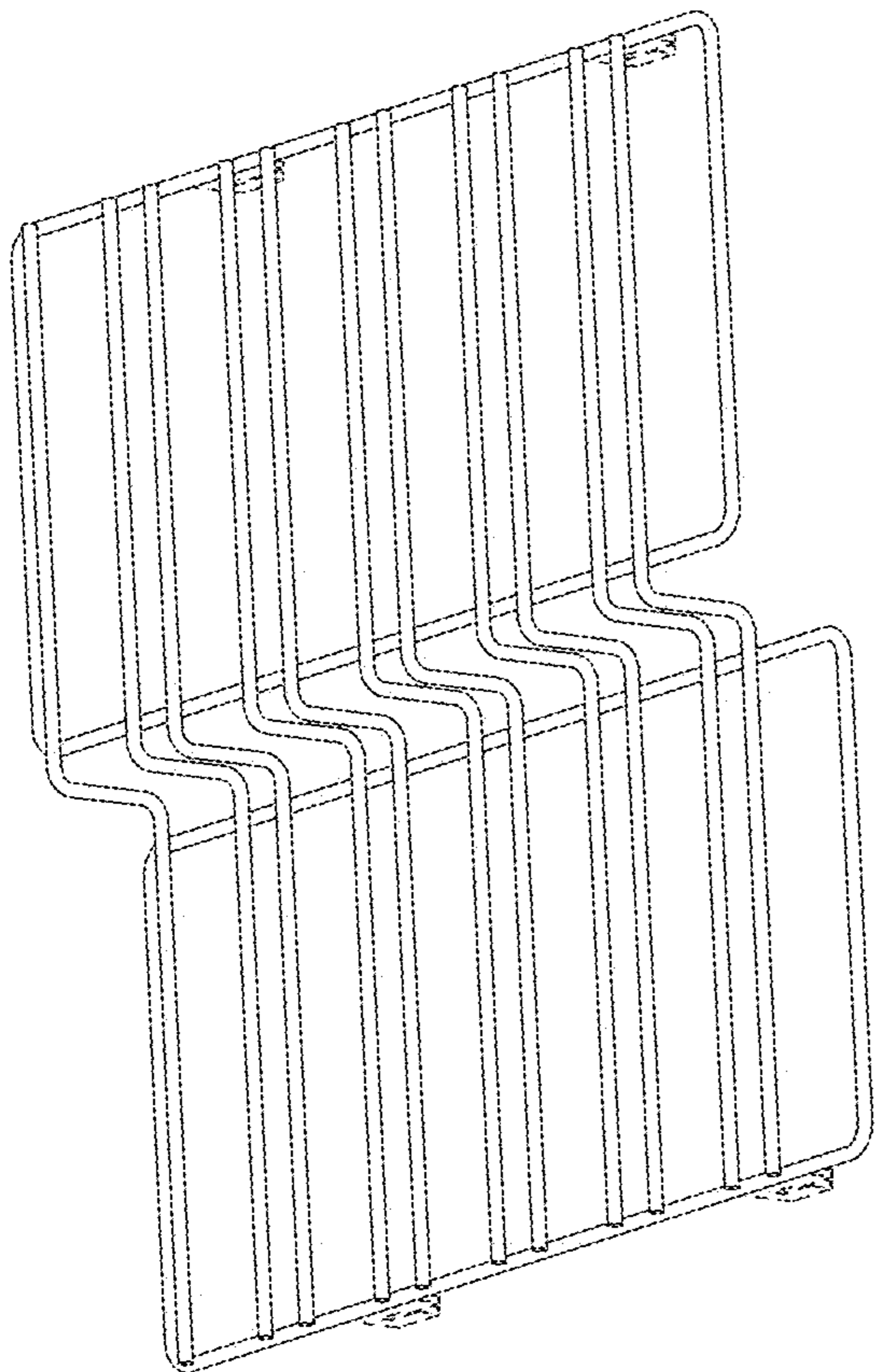


FIG. 1

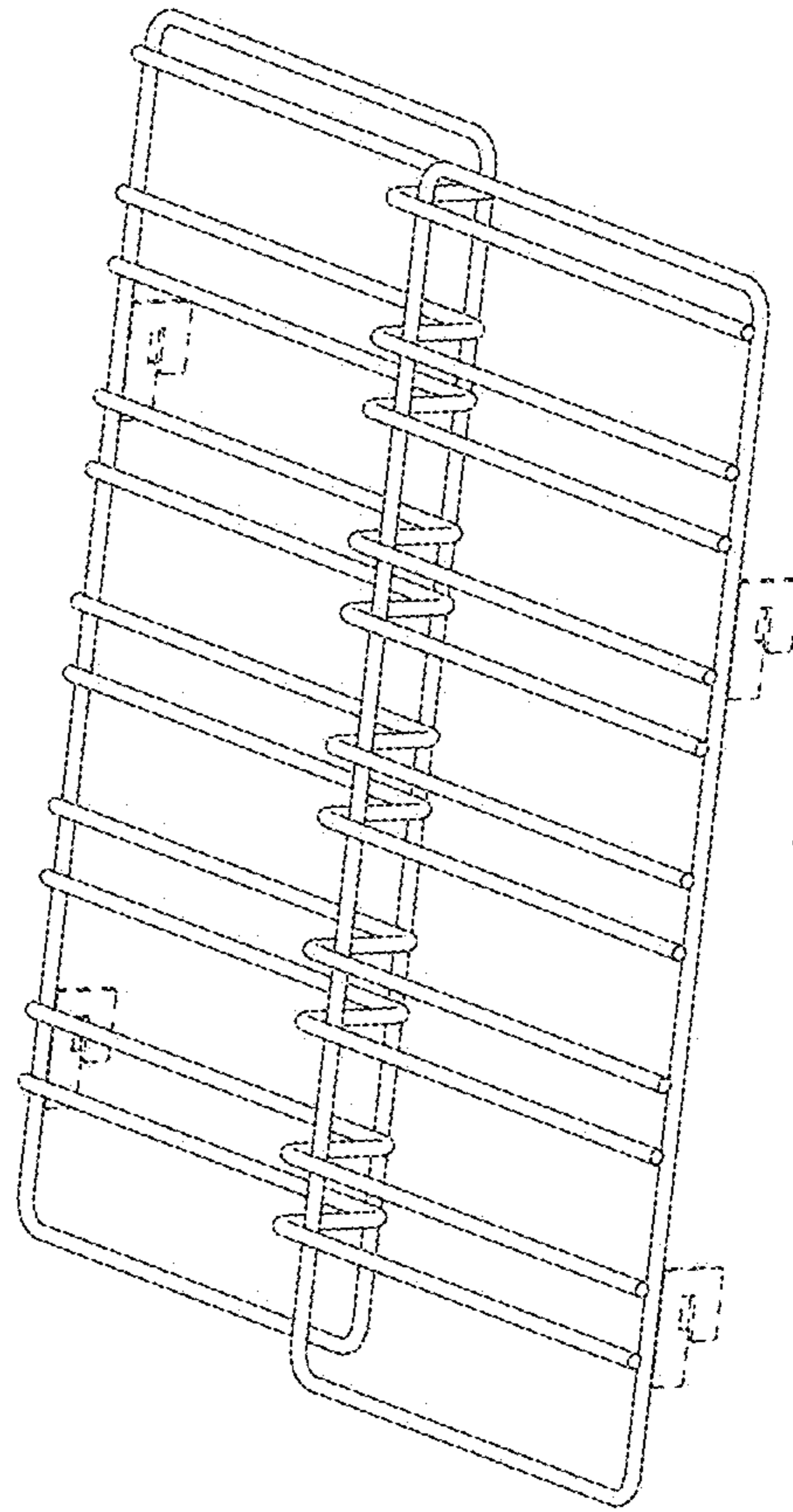


FIG. 2

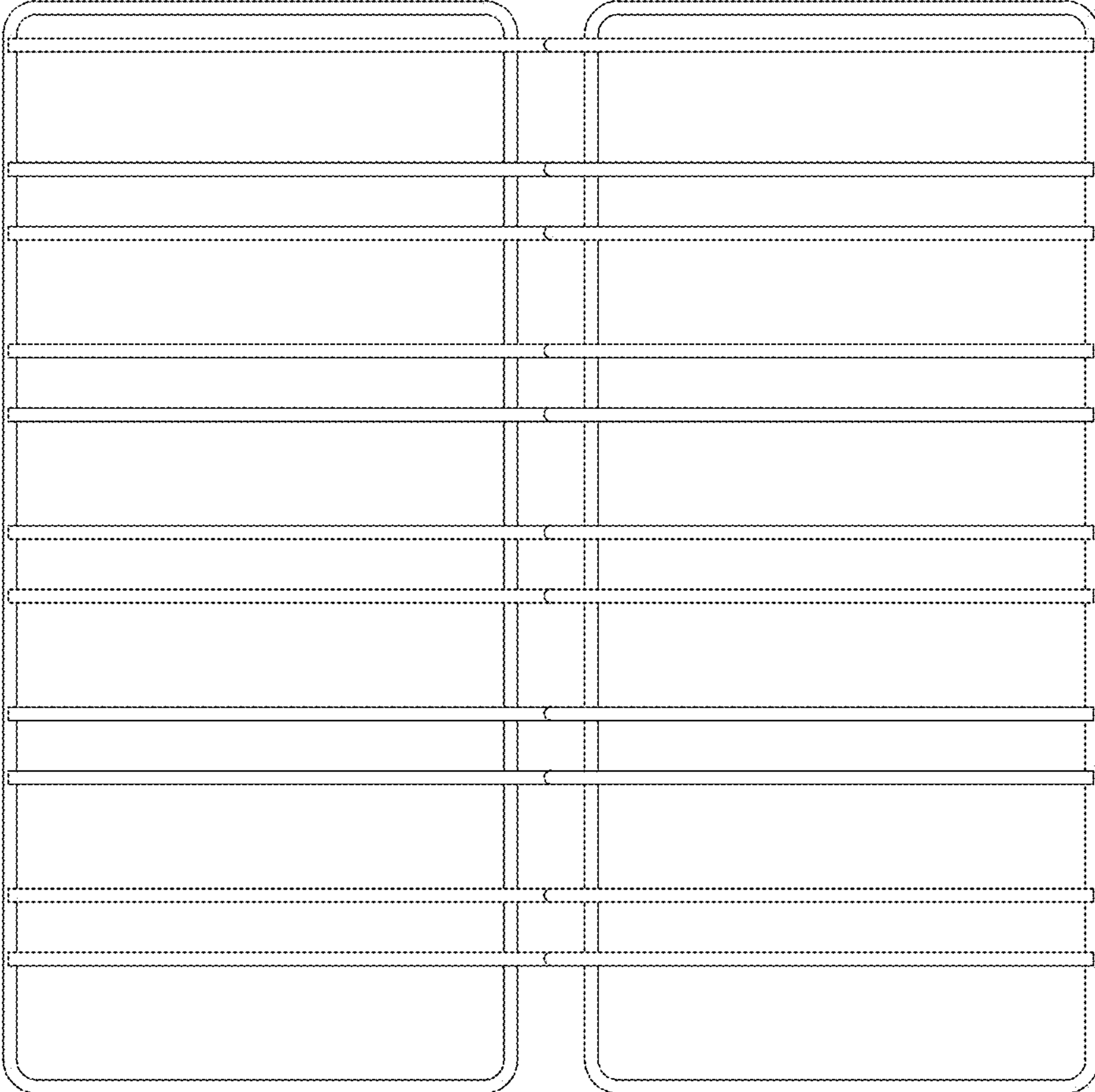


FIG. 3

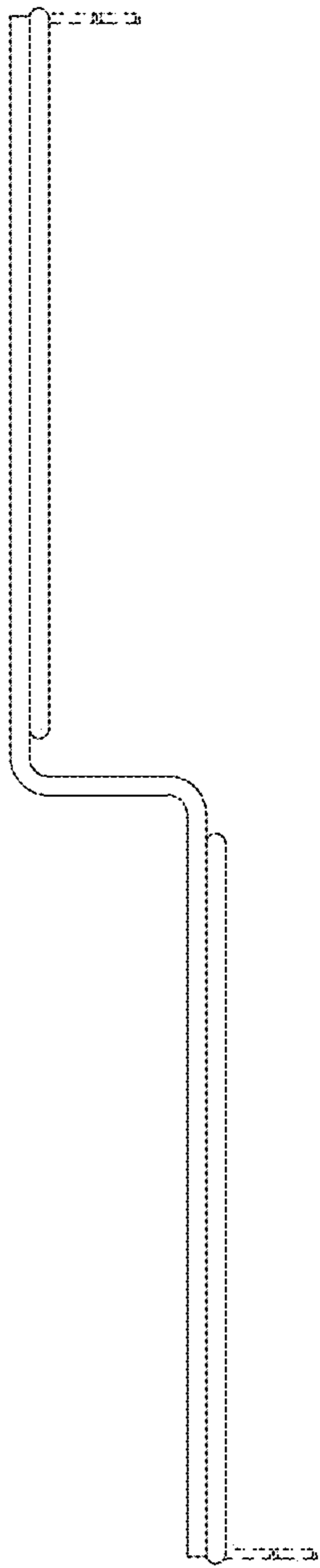


FIG. 4

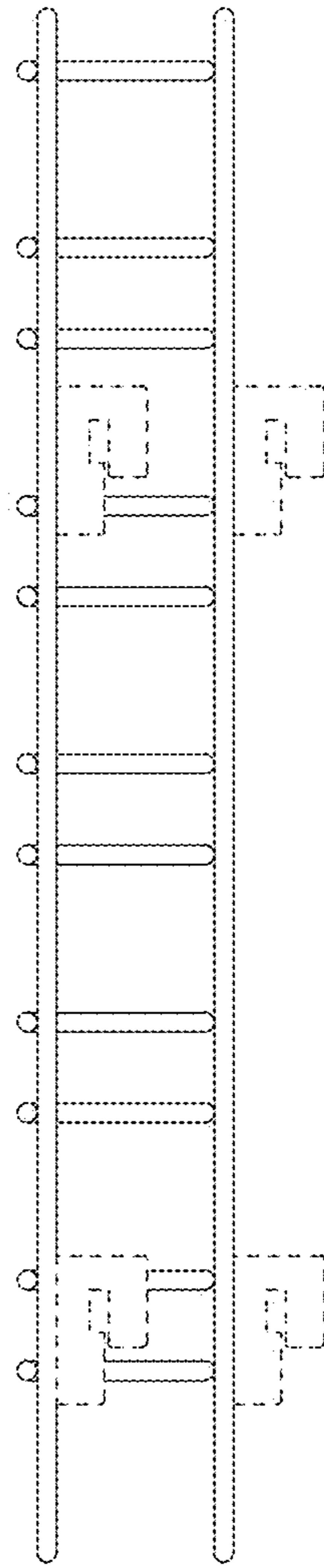


FIG. 5

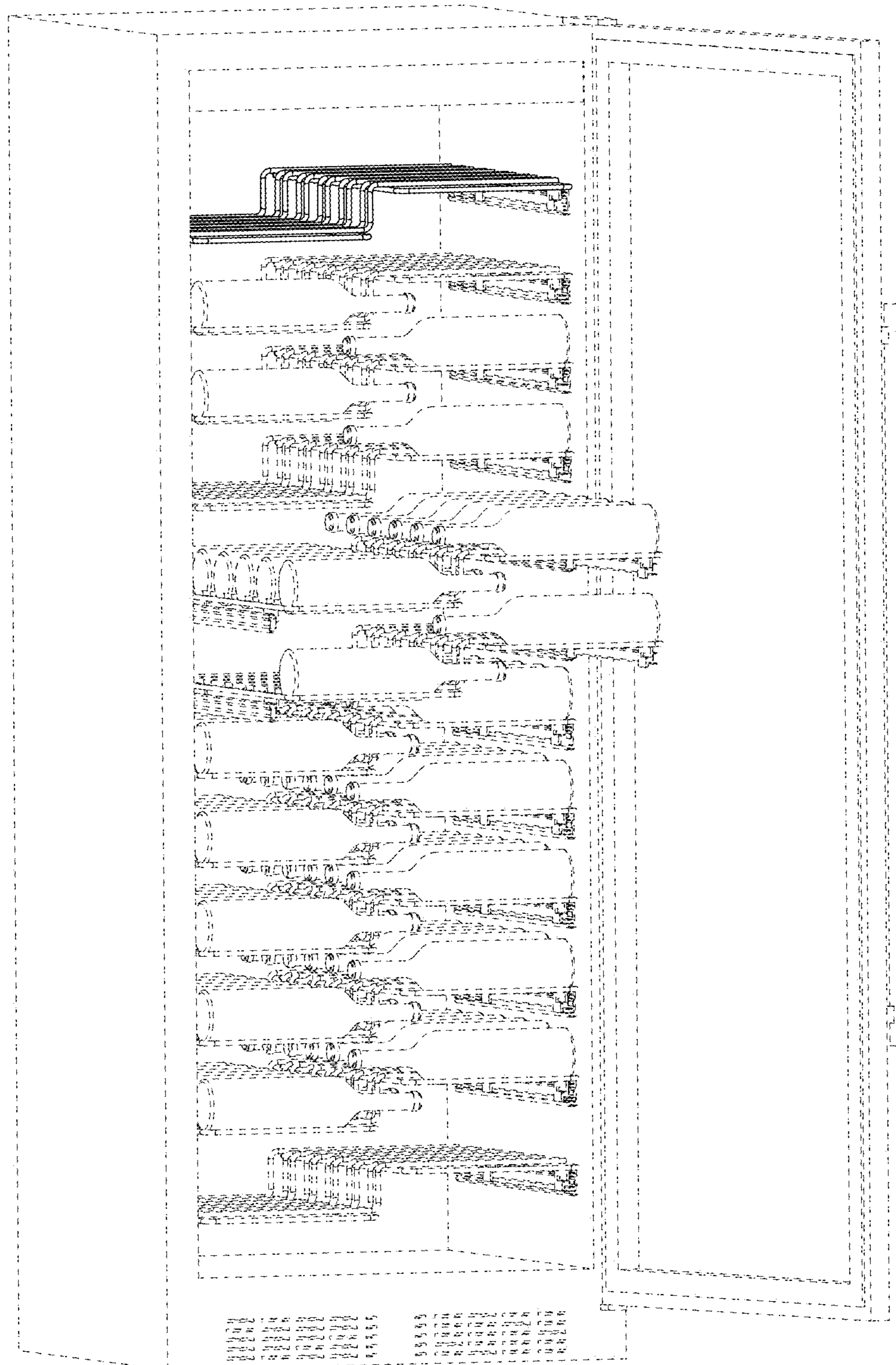


FIG. 6