



US00D975753S

(12) **United States Design Patent**
Zhang et al.

(10) **Patent No.:** **US D975,753 S**
(45) **Date of Patent:** **** Jan. 17, 2023**

(54) **ELECTRIC EXCAVATOR**
(71) Applicant: **JiangSu XCMG Construction Machinery Research Institute LTD.,**
Jiangsu (CN)
(72) Inventors: **Han Zhang, Jiangsu (CN); Sicheng Shen, Jiangsu (CN); Geng Xue, Jiangsu (CN)**
(73) Assignee: **JiangSu XCMG Construction Machinery Research Institute LTD.,**
Jiangsu (CN)
(**) Term: **15 Years**
(21) Appl. No.: **29/808,621**
(22) Filed: **Sep. 22, 2021**

D508,498 S * 8/2005 Shimokakiuchi D15/24
D518,071 S * 3/2006 Gwak D15/25
D575,804 S * 8/2008 Murakami D15/28
D590,845 S * 4/2009 Ochi D15/24
D591,773 S * 5/2009 Ueta D15/24
D631,067 S * 1/2011 Nishimura D15/24
D677,703 S * 3/2013 Hiraoka D15/25
D684,598 S * 6/2013 Hagura D15/24
D684,599 S * 6/2013 Saito D15/24
D685,394 S * 7/2013 Nagata D15/24
D695,791 S * 12/2013 Hagura D15/25
D707,261 S * 6/2014 Caboret D15/24
D738,403 S * 9/2015 Imashige D15/24
D752,112 S * 3/2016 Hagura D15/24
D842,344 S * 3/2019 Okuyama D15/23
D854,054 S * 7/2019 Hirasawa D15/25
D875,143 S * 2/2020 Hagura D15/24
D895,687 S * 9/2020 Phadatare D15/25
D905,762 S * 12/2020 Phadatare D15/24
D912,098 S * 3/2021 Tanaka D15/22
D927,559 S * 8/2021 Shinde D15/24

(Continued)

(30) **Foreign Application Priority Data**
Jul. 30, 2021 (CN) 202130490349.9

Primary Examiner — Mark A Goodwin
(74) *Attorney, Agent, or Firm* — JCIP Global Inc.

(51) **LOC (14) Cl.** **12-09**
(52) **U.S. Cl.**
USPC **D15/22; D15/25**

(57) **CLAIM**

(58) **Field of Classification Search**
USPC D15/10, 22–26, 28, 30
CPC E02F 3/32; E02F 3/76; E02F 3/40; E02F 3/325; E02F 3/352; E02F 3/384; E02F 3/425; E02F 3/437; E02F 3/627; E02F 3/964; E02F 9/163; E02F 9/0858; E02F 9/0875; E02F 9/2045; E02F 9/006; E02F 9/0808; E02F 9/0833; E02F 9/2004; E02F 9/207; E02F 9/2091; E02F 9/2246; E02F 9/2292; E02F 9/0086; E02F 9/18; F01N 13/001; F01N 2590/08
See application file for complete search history.

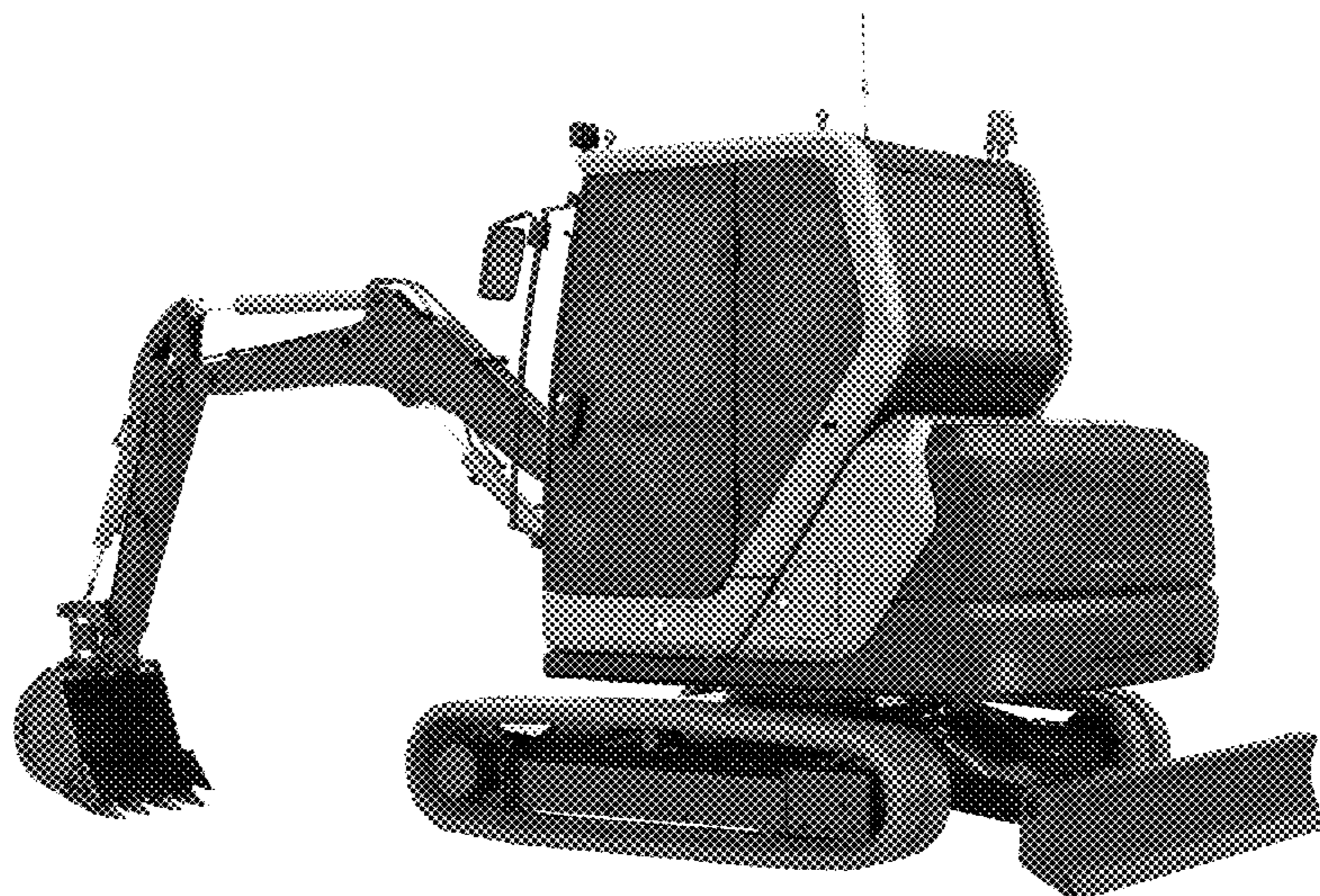
The ornamental design for an electric excavator, as shown and described.

DESCRIPTION

FIG. 1 is a first perspective view of an electric excavator showing our new design;
FIG. 2 is a second perspective view thereof;
FIG. 3 is a front view thereof;
FIG. 4 is a rear view thereof;
FIG. 5 is an enlarged left side view thereof;
FIG. 6 is an enlarged right side view thereof; and,
FIG. 7 is a top view thereof.

(56) **References Cited**
U.S. PATENT DOCUMENTS
D409,629 S * 5/1999 Miyaoka D15/25
D462,973 S * 9/2002 Tamaru D15/25

1 Claim, 7 Drawing Sheets



(56)

References Cited

U.S. PATENT DOCUMENTS

D931,907 S	*	9/2021	Tanaka	D15/22
D941,885 S	*	1/2022	Major	D15/25
D952,003 S	*	5/2022	Xue	D15/25

* cited by examiner

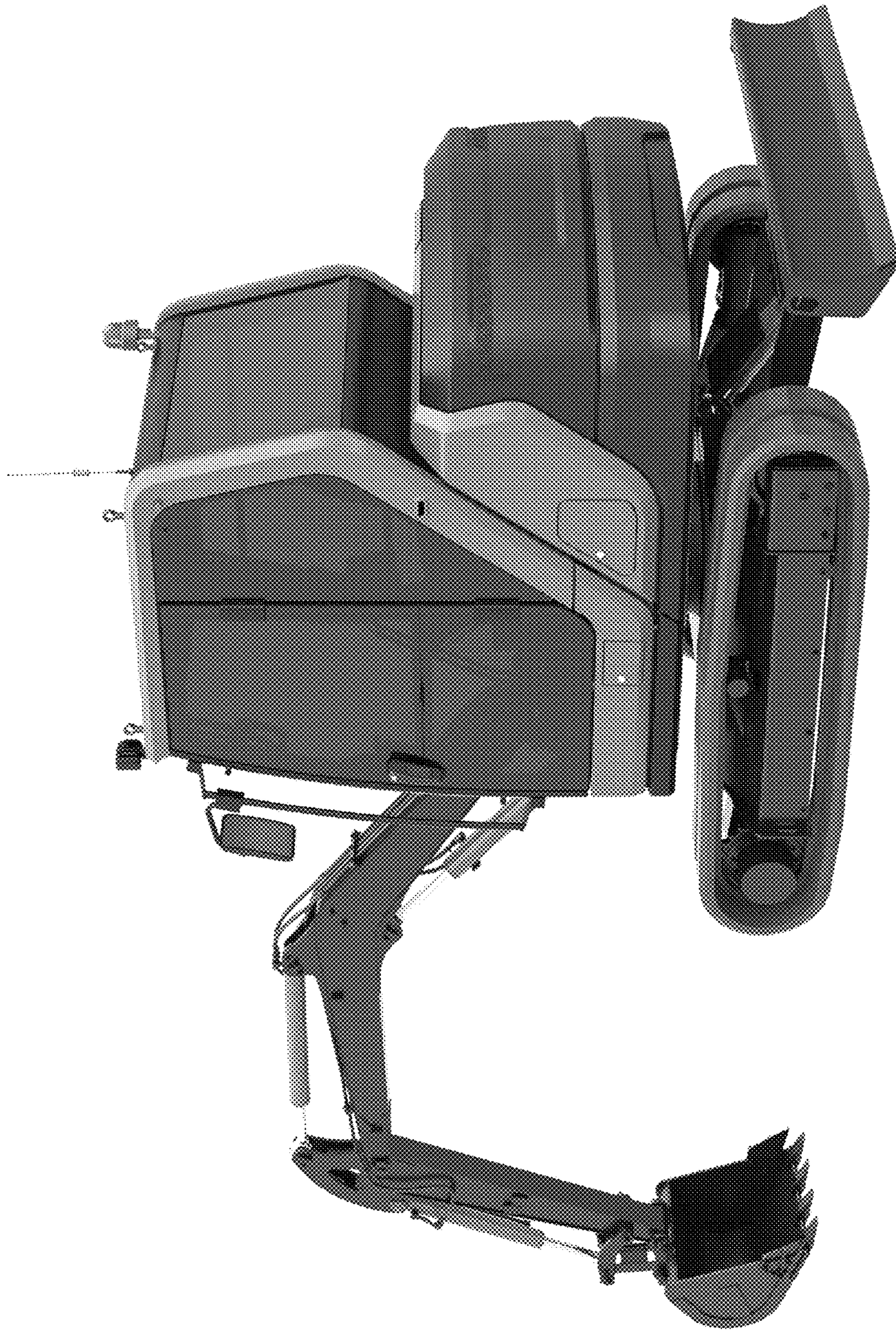


FIG. 1



FIG. 2

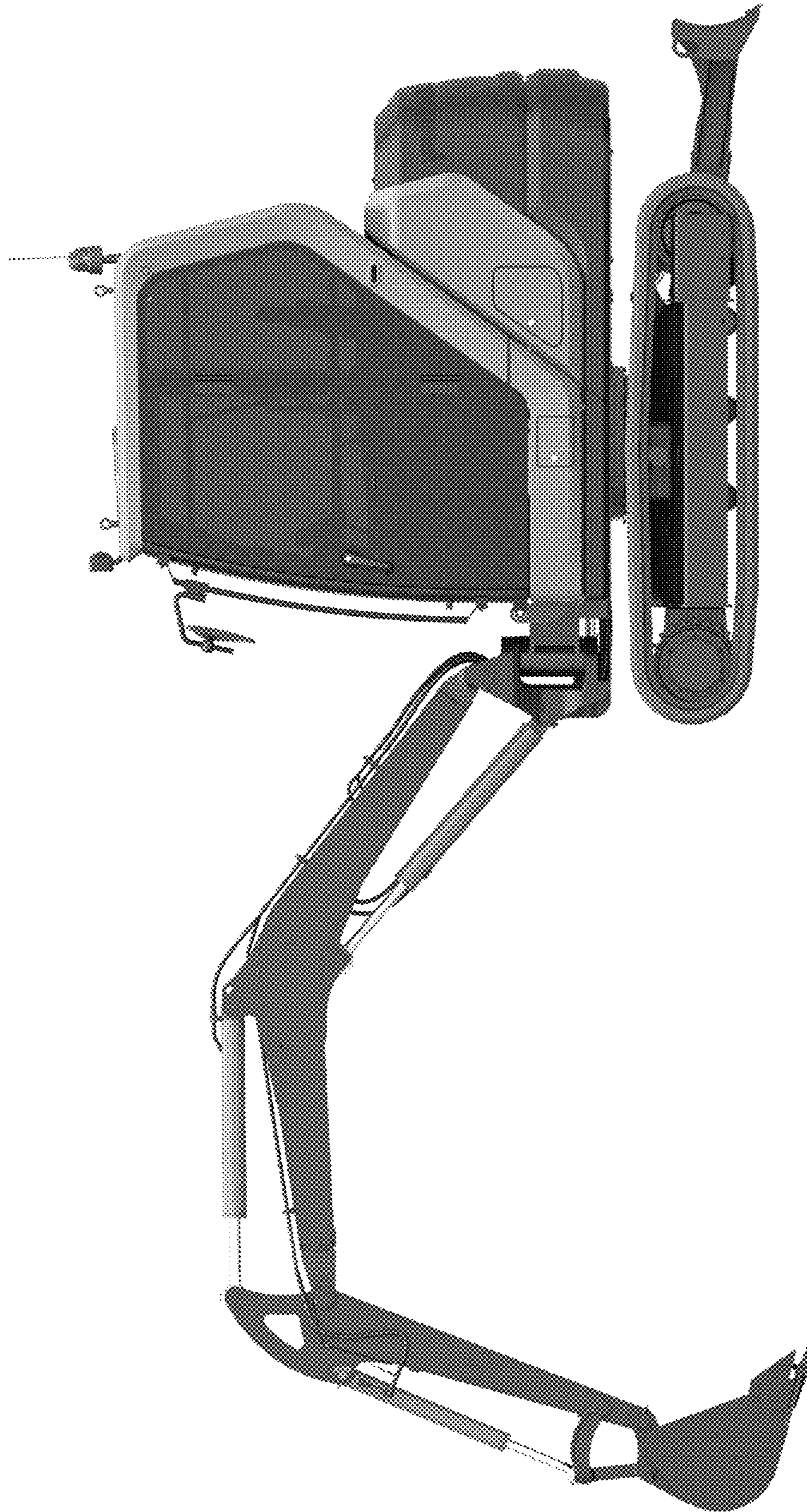


FIG. 3

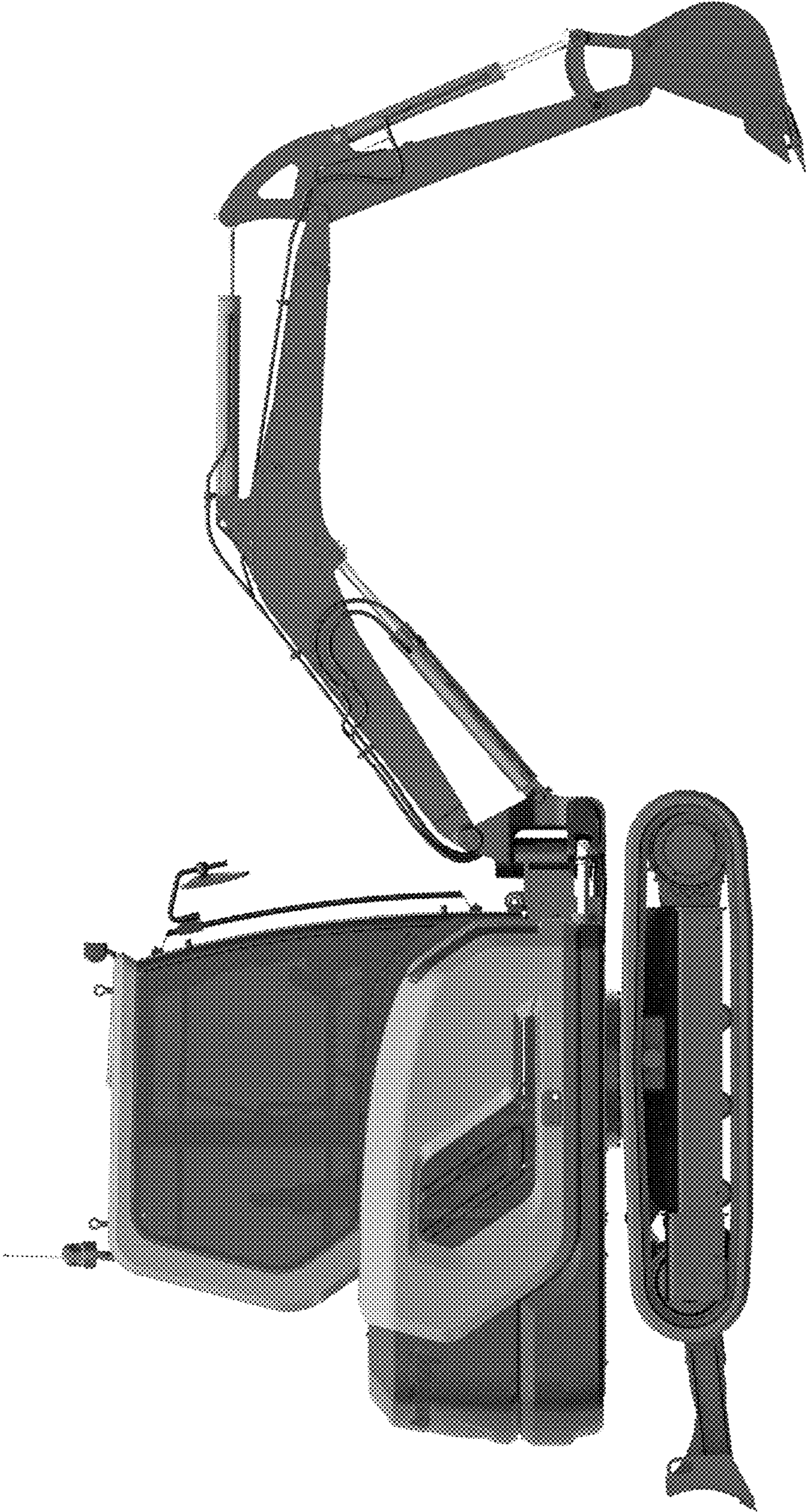


FIG. 4

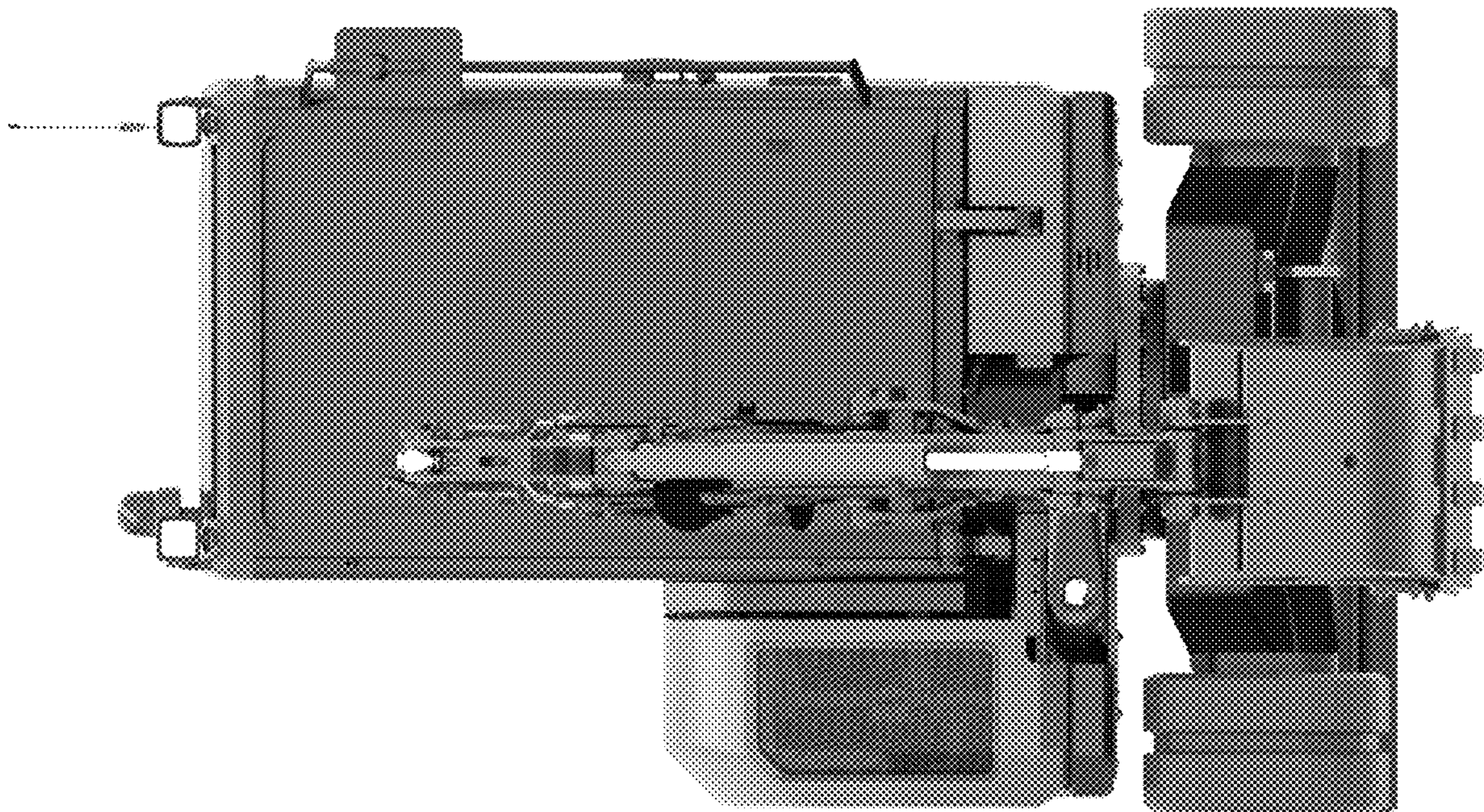


FIG. 5

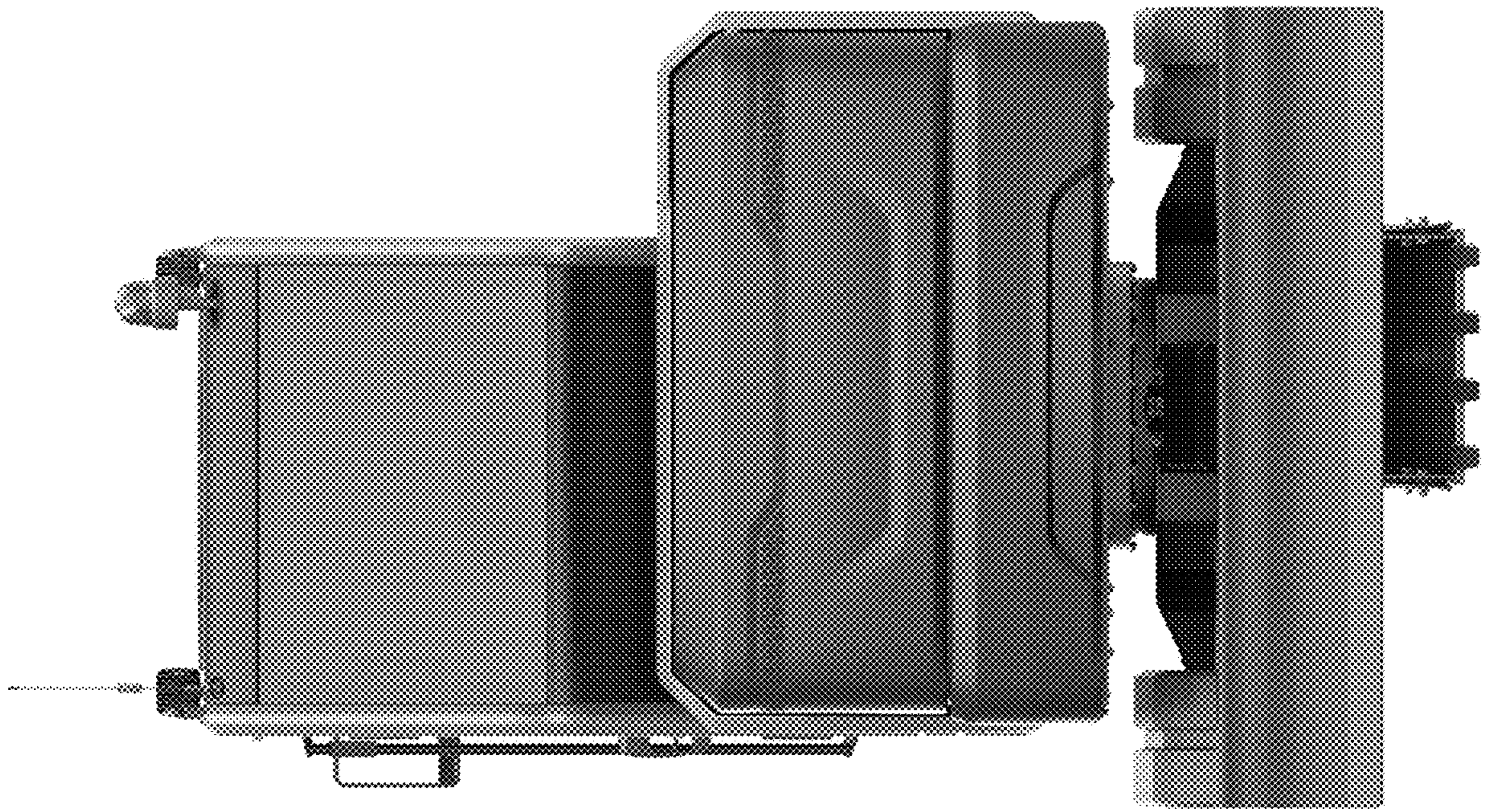


FIG. 6

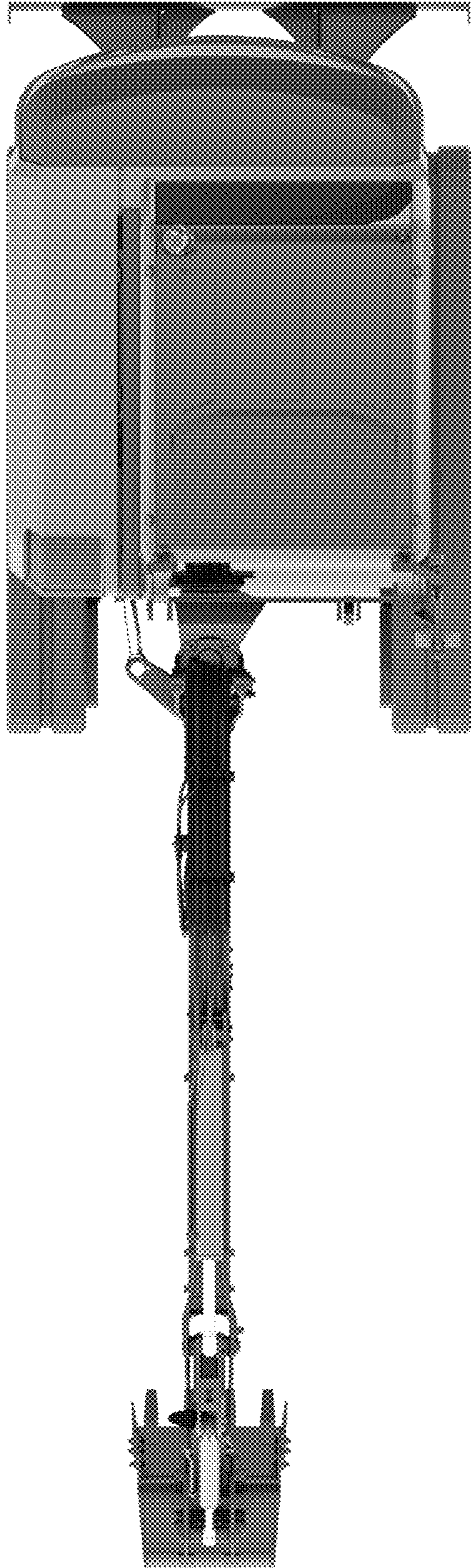


FIG. 7