



US00D975752S

(12) **United States Design Patent**
Calzada

(10) **Patent No.:** **US D975,752 S**
(45) **Date of Patent:** **** Jan. 17, 2023**

(54) **AUGER RACK**
(71) Applicant: **Jose Calzada**, Angleton, TX (US)
(72) Inventor: **Jose Calzada**, Angleton, TX (US)
(**) Term: **15 Years**
(21) Appl. No.: **29/780,249**
(22) Filed: **Apr. 23, 2021**
(51) **LOC (14) Cl.** **15-03**
(52) **U.S. Cl.**
USPC **D15/10; D34/28**
(58) **Field of Classification Search**
USPC D15/10-33; D34/34, 28, 30, 31, 33, 35
CPC B66F 5/02; B66F 13/00; B66F 3/22; B66F
3/24; B66F 3/30; B66F 3/0612
See application file for complete search history.

D602,670 S * 10/2009 Laursen D34/28
7,726,182 B1 * 6/2010 Newlin G01M 15/02
73/116.01
D713,613 S * 9/2014 Miles D34/33
9,161,487 B1 * 10/2015 Provines A01B 33/106
9,452,911 B1 * 9/2016 Tipton B66C 23/48
D809,734 S * 2/2018 Kennard D34/34
D868,413 S * 11/2019 Stannow D34/28
D910,958 S * 2/2021 Hokanson D34/28
11,028,652 B1 * 6/2021 Willey E21B 7/005
11,434,108 B2 * 9/2022 Feistner B66C 23/46
2006/0208240 A1 * 9/2006 Spittle B66C 23/48
254/8 B
2012/0234780 A1 * 9/2012 Hokanson E21B 19/14
211/69
2015/0209954 A1 * 7/2015 Hokanson B25H 3/04
175/57

(Continued)

Primary Examiner — Mark A Goodwin
(74) *Attorney, Agent, or Firm* — Larson & Larson; Justin P. Miller; Frank Liebenow

(56) **References Cited**

U.S. PATENT DOCUMENTS

3,700,045 A * 10/1972 Coontz E21B 19/087
175/162
5,090,486 A * 2/1992 Jones E21B 7/028
175/203
5,897,100 A * 4/1999 Napier B66C 23/485
254/133 R
5,934,490 A * 8/1999 Mora B66C 23/48
212/334
6,042,165 A * 3/2000 Thompson B66C 23/48
294/67.1
6,089,795 A * 7/2000 Booth B60P 1/60
224/405
6,349,777 B1 * 2/2002 Burenga E04H 17/263
173/90
7,080,823 B1 * 7/2006 Triplett B66C 23/166
254/8 B
D570,071 S * 5/2008 Campbell D34/28
7,484,558 B2 * 2/2009 Wood E21B 19/00
248/163.1

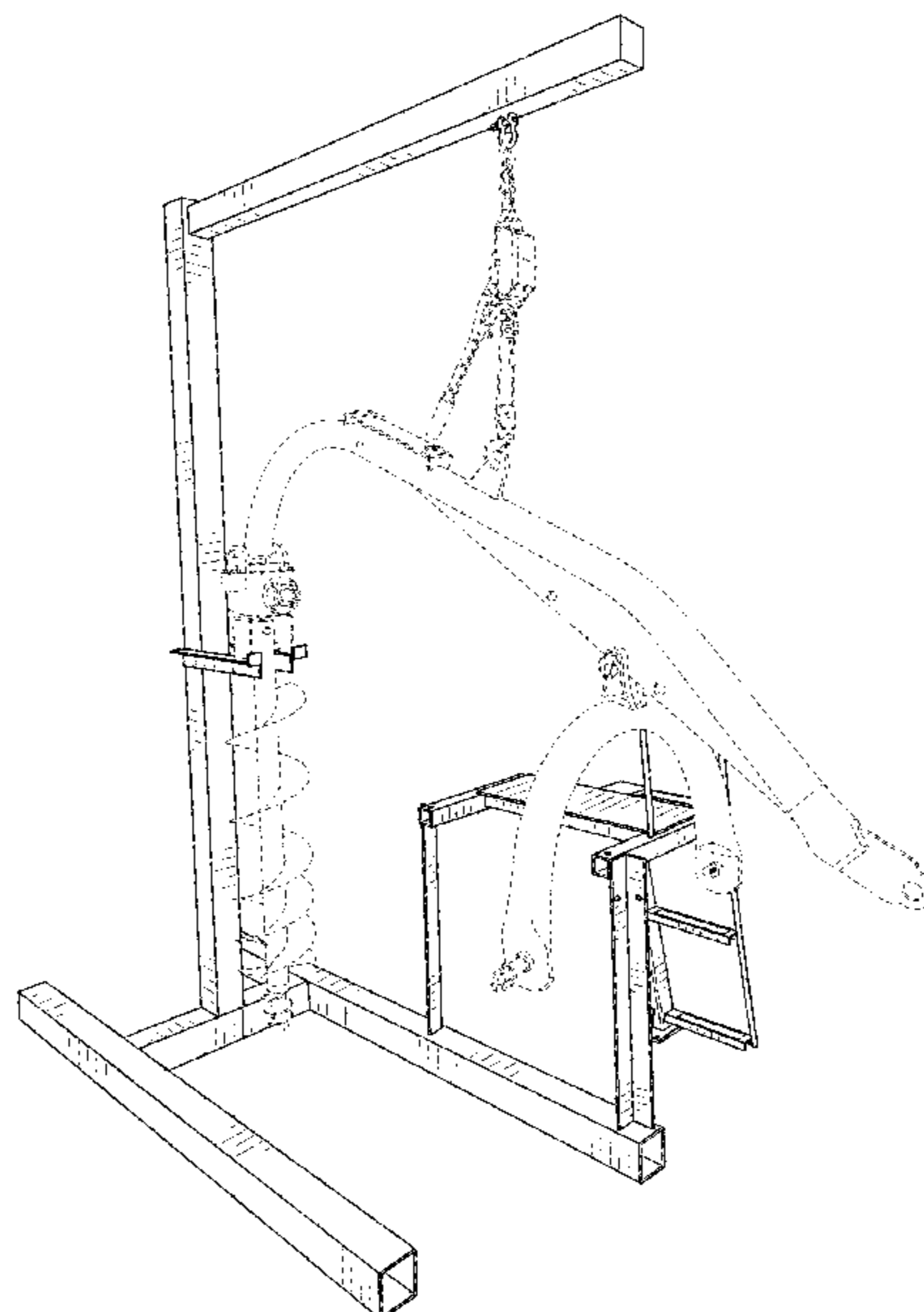
(57) **CLAIM**

I claim the ornamental design for an auger rack, as shown and described.

DESCRIPTION

FIG. 1 is a perspective view of an auger rack, showing my new design;
FIG. 2 is a left-side elevation view thereof;
FIG. 3 is a right-side elevation view thereof;
FIG. 4 is a front elevation view thereof;
FIG. 5 is a back elevation thereof;
FIG. 6 is a top plan view thereof; and,
FIG. 7 is a bottom plan view thereof, showing the auger rack.
The broken lines showing a tractor auger and lifting equipment are included for the purpose of illustrating environmental structure and forms no part of the claimed design.

1 Claim, 7 Drawing Sheets



(56)

References Cited

U.S. PATENT DOCUMENTS

2015/0209955 A1* 7/2015 Hokanson B25H 3/04
294/67.1
2018/0319008 A1* 11/2018 Cook B25H 5/00
2021/0061618 A1* 3/2021 Feistner B66C 23/485
2022/0136468 A1* 5/2022 Matoba F02D 13/0226
701/102

* cited by examiner

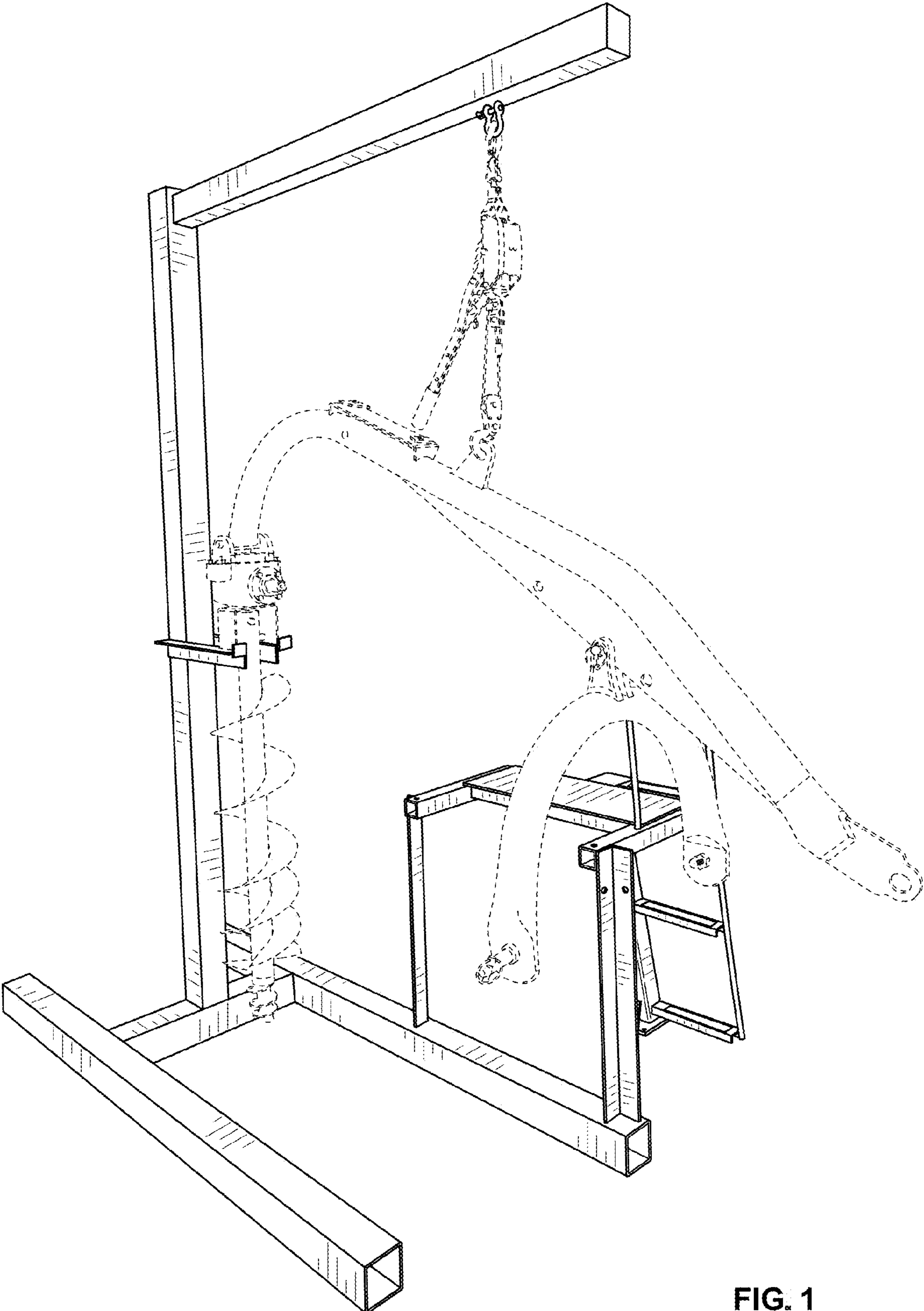


FIG. 1

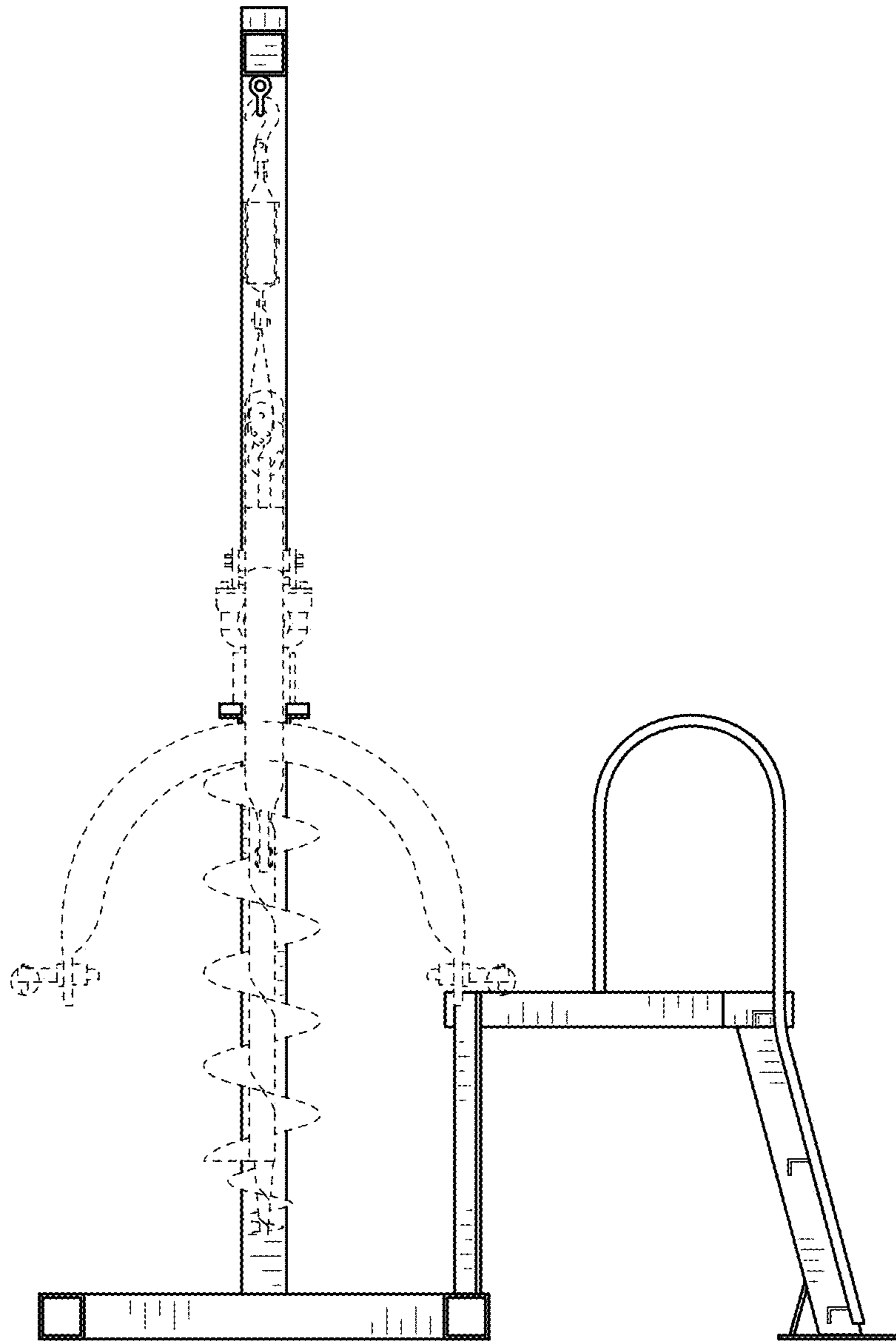


FIG. 2

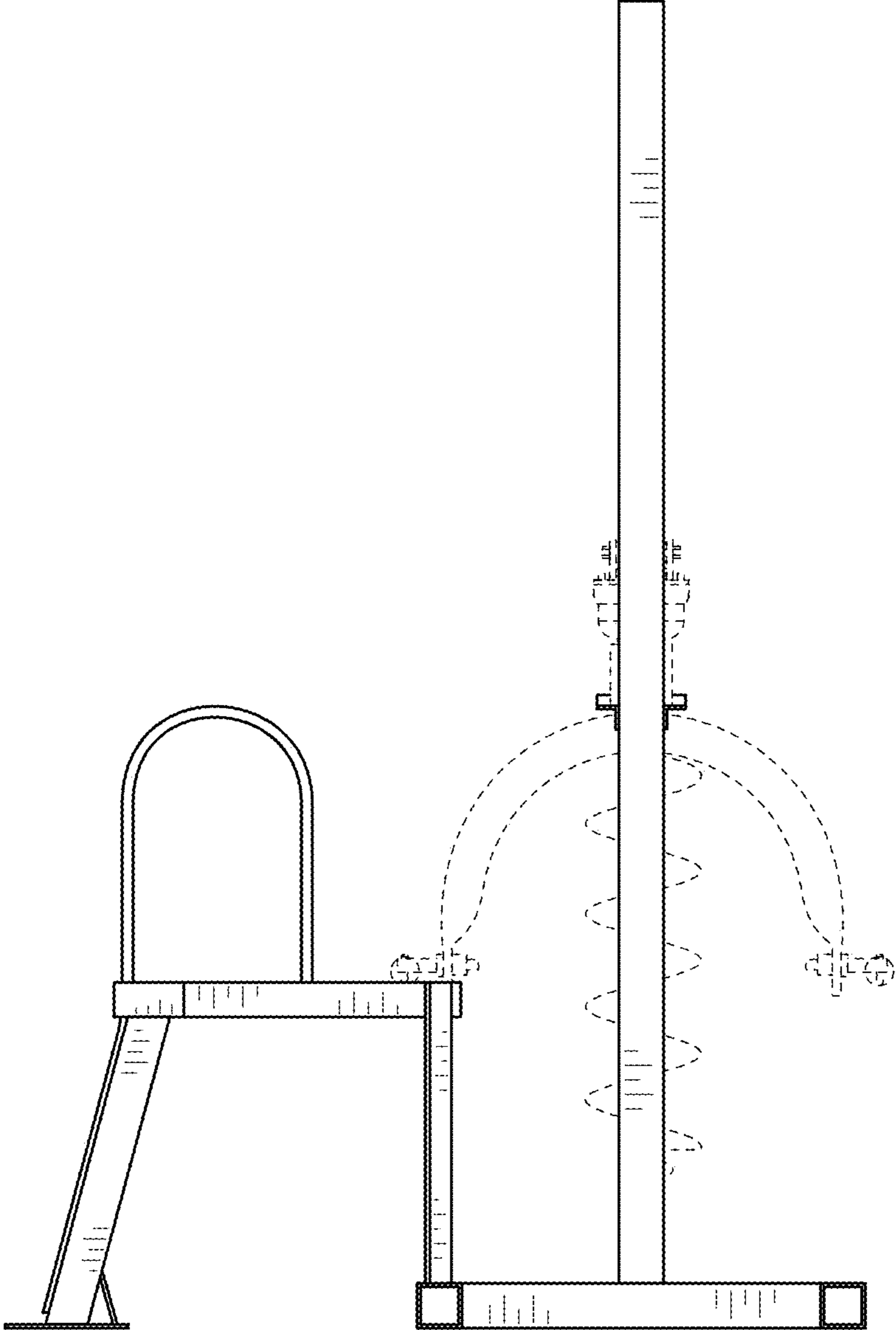


FIG. 3

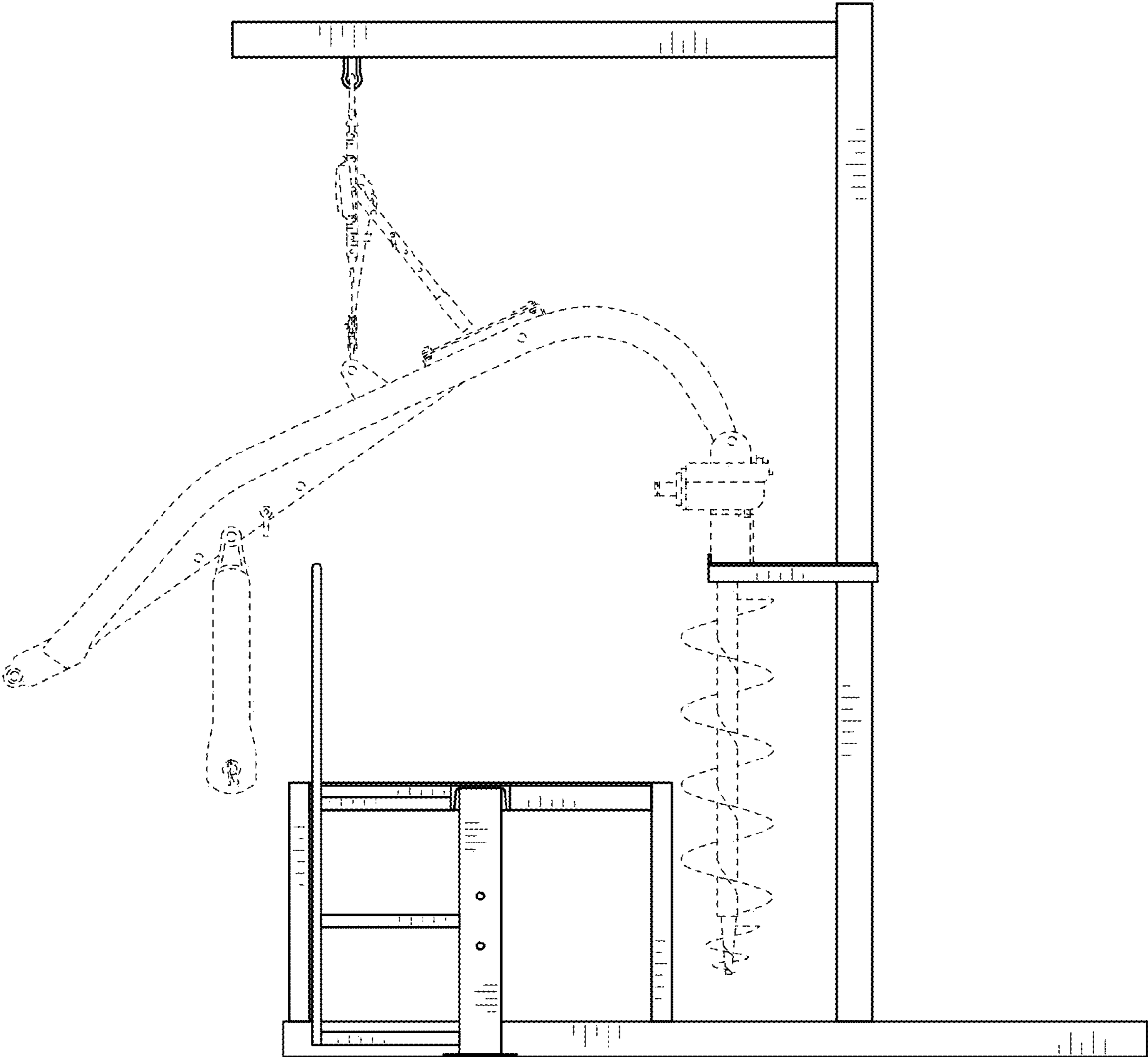


FIG. 4

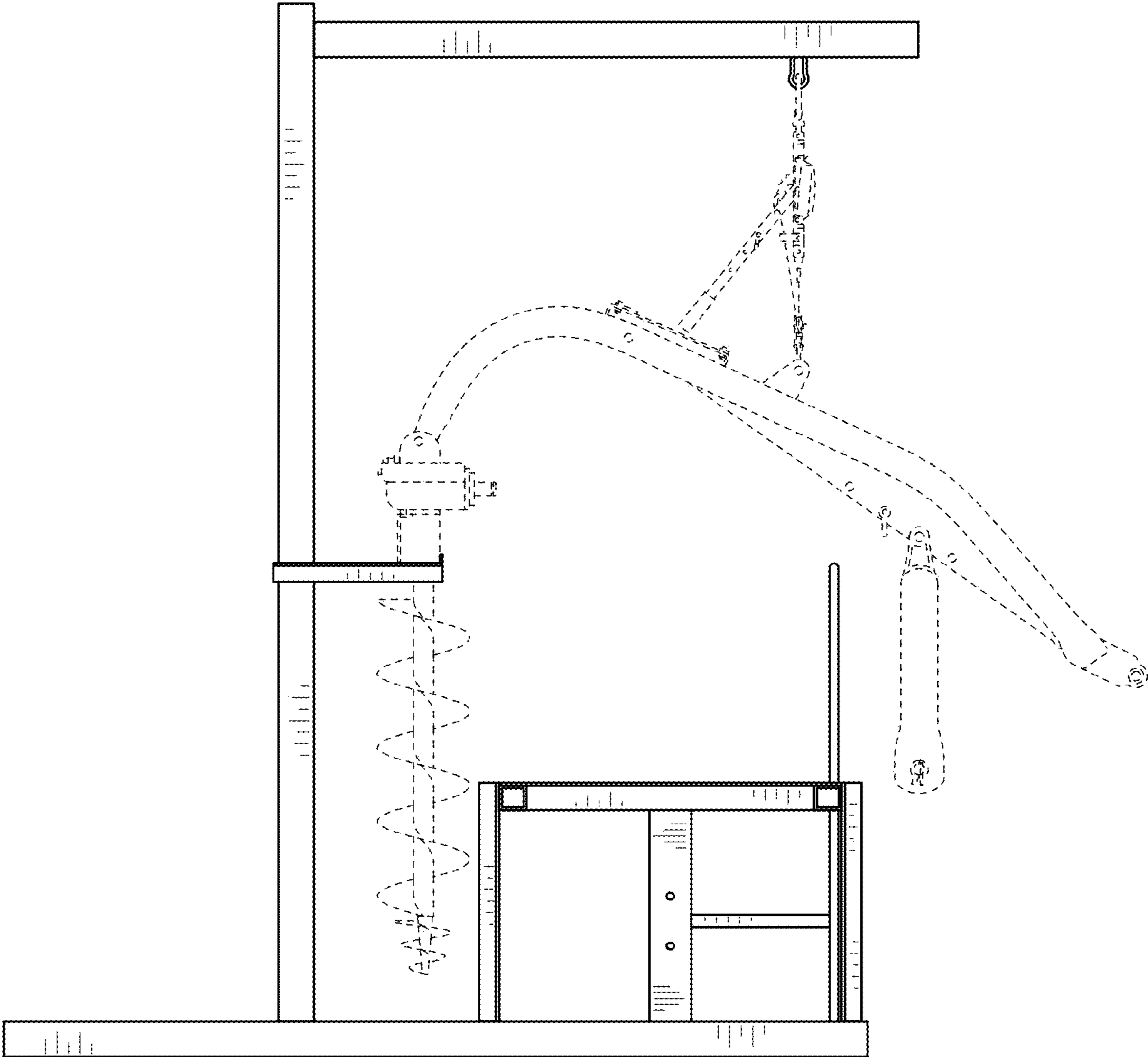


FIG. 5

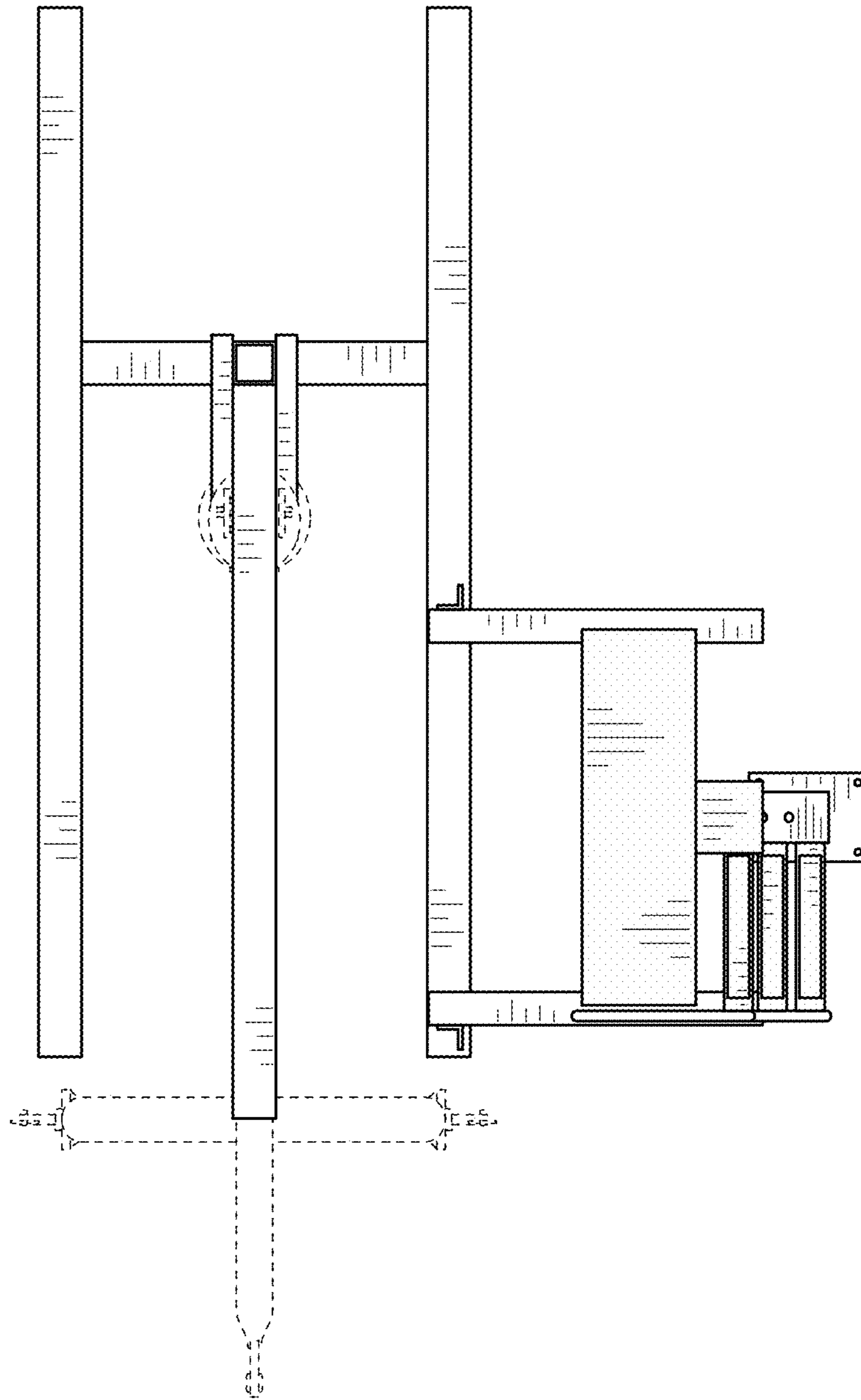


FIG. 6

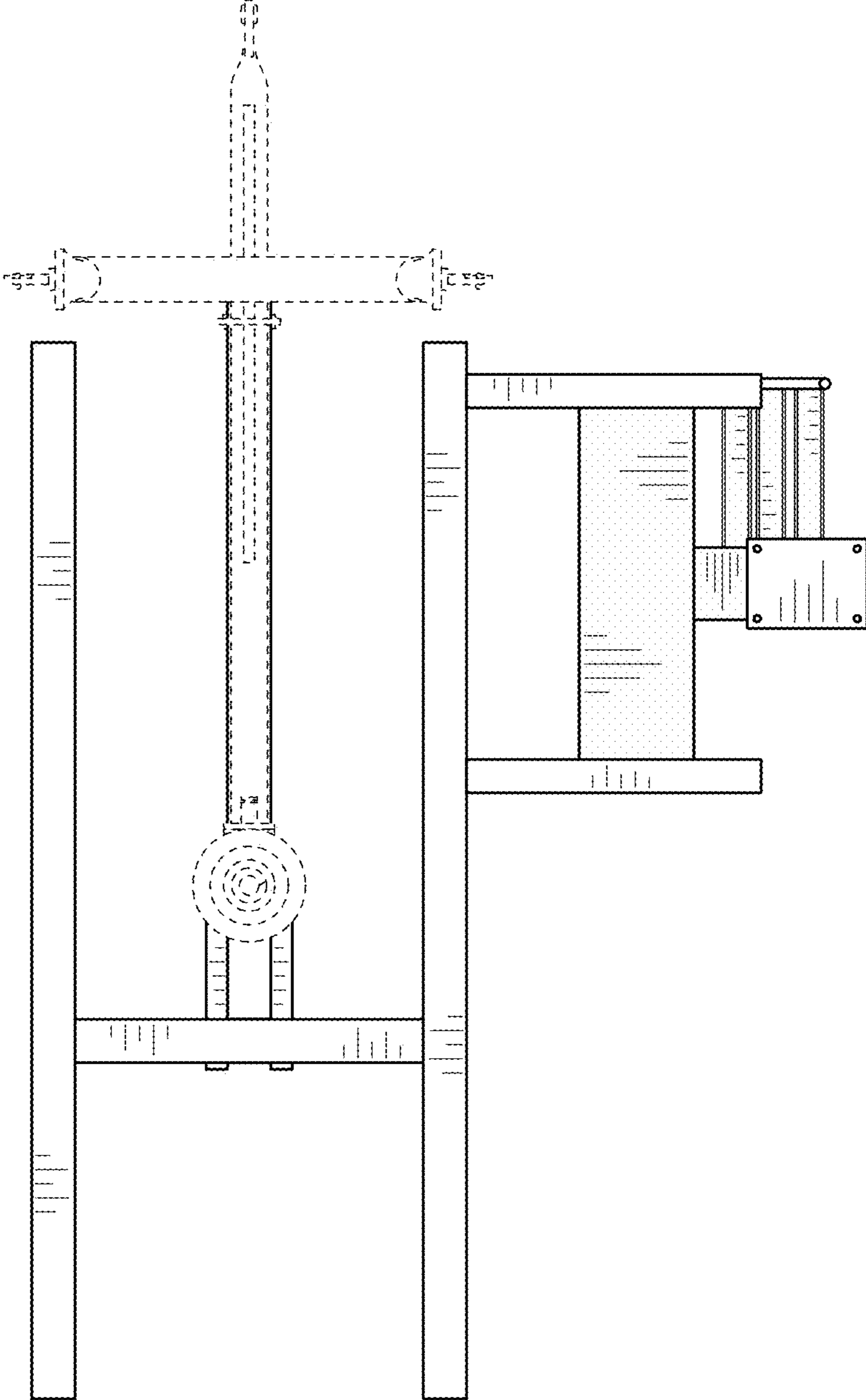


FIG. 7