

US00D975751S

(12) **United States Design Patent** (10) **Patent No.:** **US D975,751 S**  
**Hemmingen-Redschlag et al.** (45) **Date of Patent:** **\*\* \*Jan. 17, 2023**

(54) **PUMP FOR LIQUIDS**

(56) **References Cited**

(71) Applicant: **Qonqave GmbH**, Wernau (DE)

U.S. PATENT DOCUMENTS

(72) Inventors: **Lars Freiherr Varnbüler von und zu Hemmingen-Redschlag**, Wiernsheim-Pinache (DE); **Alois Krutzenbichler**, Starnberg (DE); **Nico Haug**, Sindelfingen (DE); **Raymond Ritschka**, Weissach (DE)

D339,143	S	*	9/1993	Whitley, II	.....	D15/7
D372,921	S	*	8/1996	Ijiri	.....	D15/7
D394,067	S	*	5/1998	Kon	.....	D15/7
D471,562	S	*	3/2003	Kagami	.....	D15/7
D471,917	S	*	3/2003	Kagami	.....	D15/7
D503,411	S	*	3/2005	Fujiwara	.....	D15/7
D510,363	S	*	10/2005	Leone	.....	D15/7
D556,780	S	*	12/2007	Tazioli	.....	D15/7
D565,600	S	*	4/2008	Tazioli	.....	D15/7
D605,205	S	*	12/2009	Guoli	.....	D15/7
D625,740	S	*	10/2010	Varini	.....	D15/7
D689,908	S	*	9/2013	Rogers	.....	D15/7
D721,390	S	*	1/2015	Walter	.....	D15/7
D765,146	S	*	8/2016	Takeda	.....	D15/7

(73) Assignee: **Watson-Marlow GmbH—qonqave**, Wernau (DE)

(\*) Notice: This patent is subject to a terminal disclaimer.

(Continued)

(\*\*) Term: **15 Years**

FOREIGN PATENT DOCUMENTS

(21) Appl. No.: **35/509,548**

WO	WO-2021078897	A1	*	4/2021	.....	F04B 43/0054
WO	WO-2021078898	A1	*	4/2021	.....	F04B 43/0009

(22) Filed: **Apr. 24, 2020**

(Continued)

(80) **Hague Agreement Data**

Int. Filing Date: **Apr. 24, 2020**

Int. Reg. No.: **DM/208381**

Int. Reg. Date: **Apr. 24, 2020**

Int. Reg. Pub. Date: **Jun. 5, 2020**

*Primary Examiner* — Richard E Chilcot

(74) *Attorney, Agent, or Firm* — Banner & Witcoff, Ltd.

(30) **Foreign Application Priority Data**

Oct. 25, 2019 (EM) ..... 007122635

(51) **LOC (14) Cl.** ..... **15-02**

(52) **U.S. Cl.**

USPC ..... **D15/7**

CPC ..... **F04B 43/0072** (2013.01)

(58) **Field of Classification Search**

USPC ..... D15/7-9; D23/225, 231, 232; 417/60, 417/235, 265, 321, 355, 358, 363, 359, 417/410.1, 415, 416, 405, 900, 269, 539

CPC ..... F04B 43/0072; F04B 43/123; F04B 43/0054; F04B 43/084; F04B 53/16; F04B 53/20; F04B 53/22; F04C 5/00

See application file for complete search history.

(57) **CLAIM**

The ornamental design for a pump for liquids, as shown and described.

**DESCRIPTION**

1 Pump for liquids

1.1 : is a top view;

1.2 : is a front view;

1.3 : is a left side view;

1.4 : is a perspective view;

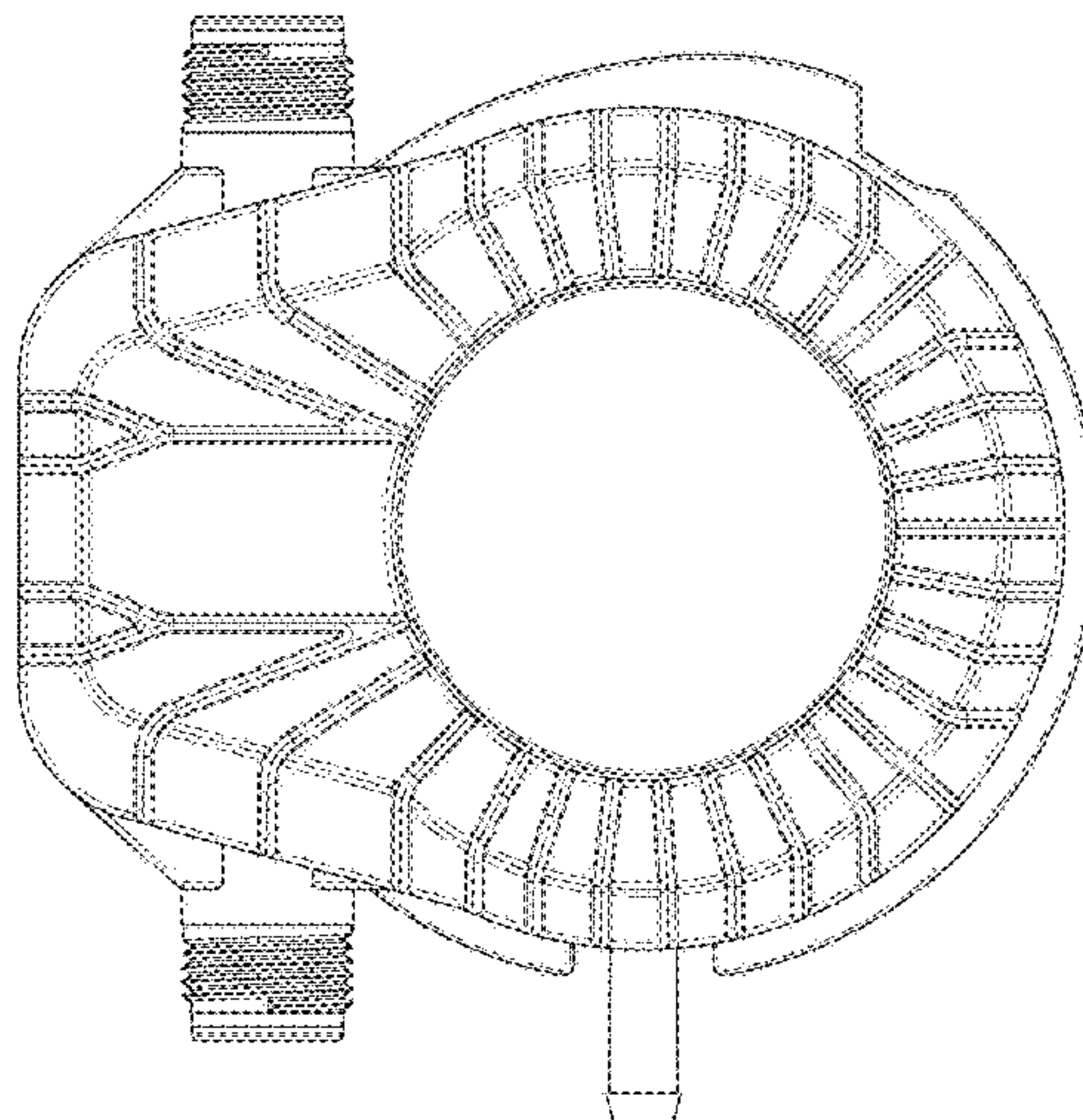
1.5 : is a second perspective view;

1.6 : is a third perspective view; and

1.7 : is a fourth perspective view.

The portion of the article shown in broken lines form no part of the claimed design.

**1 Claim, 7 Drawing Sheets**



(56)

**References Cited**

U.S. PATENT DOCUMENTS

D781,922 S \* 3/2017 Suwabe ..... D15/7  
D781,924 S \* 3/2017 Araki ..... D15/7  
D800,791 S \* 10/2017 Pin, III ..... D15/7  
D817,360 S \* 5/2018 Dietzsch ..... D15/7  
D826,283 S \* 8/2018 Mead ..... D15/7  
D848,487 S \* 5/2019 van Opdorp ..... D15/7  
D861,043 S \* 9/2019 Suwabe ..... F02M 37/04  
D15/7  
D907,067 S \* 1/2021 Rosamilia ..... F04D 7/04  
D15/7  
D918,962 S \* 5/2021 Houguchi ..... D15/7  
D933,714 S \* 10/2021 Brevini ..... D15/7

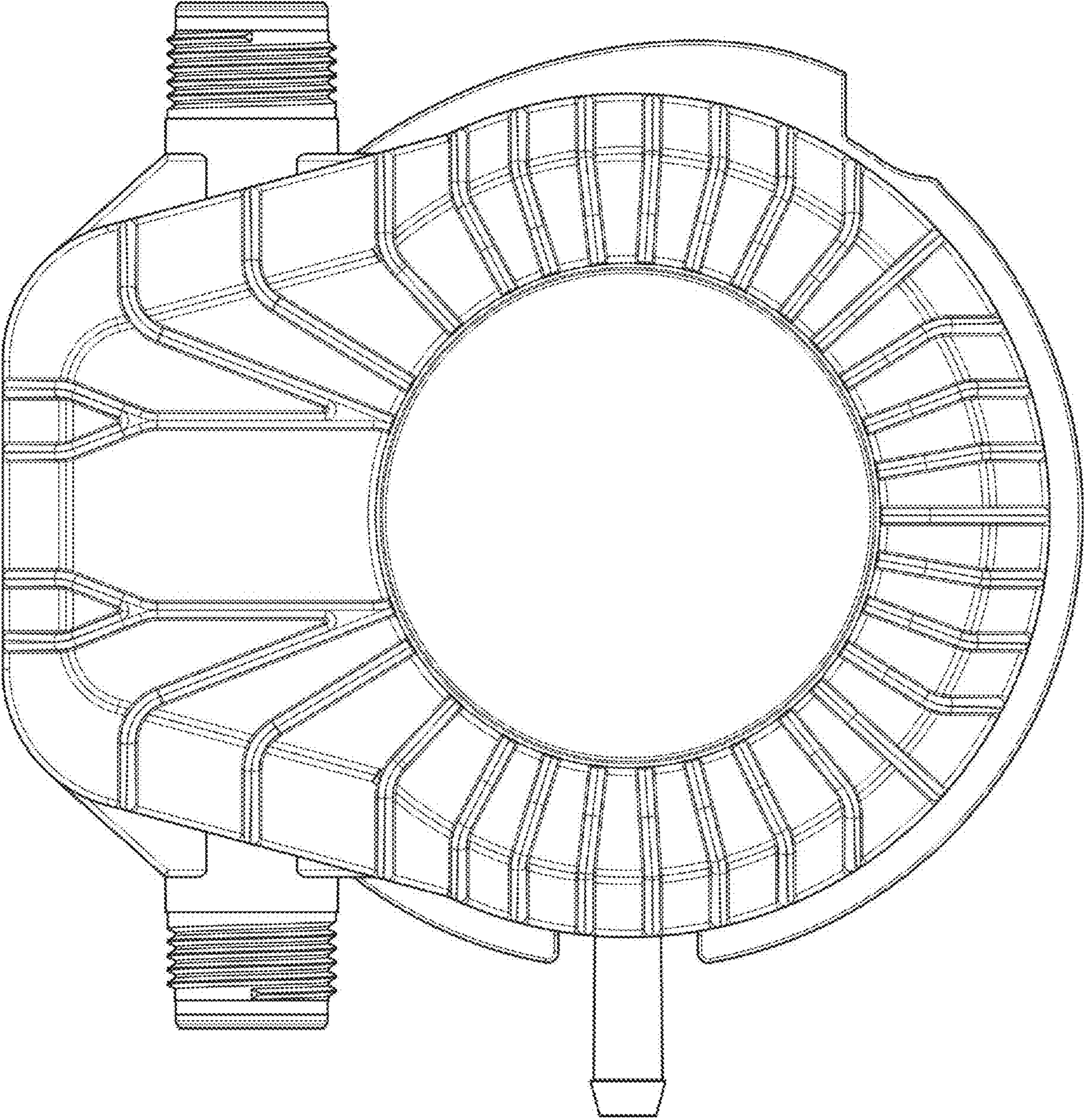
FOREIGN PATENT DOCUMENTS

WO WO-2021078900 A1 \* 4/2021 ..... F04B 43/0009  
WO WO-2021078902 A1 \* 4/2021 ..... F04B 43/0009

\* cited by examiner

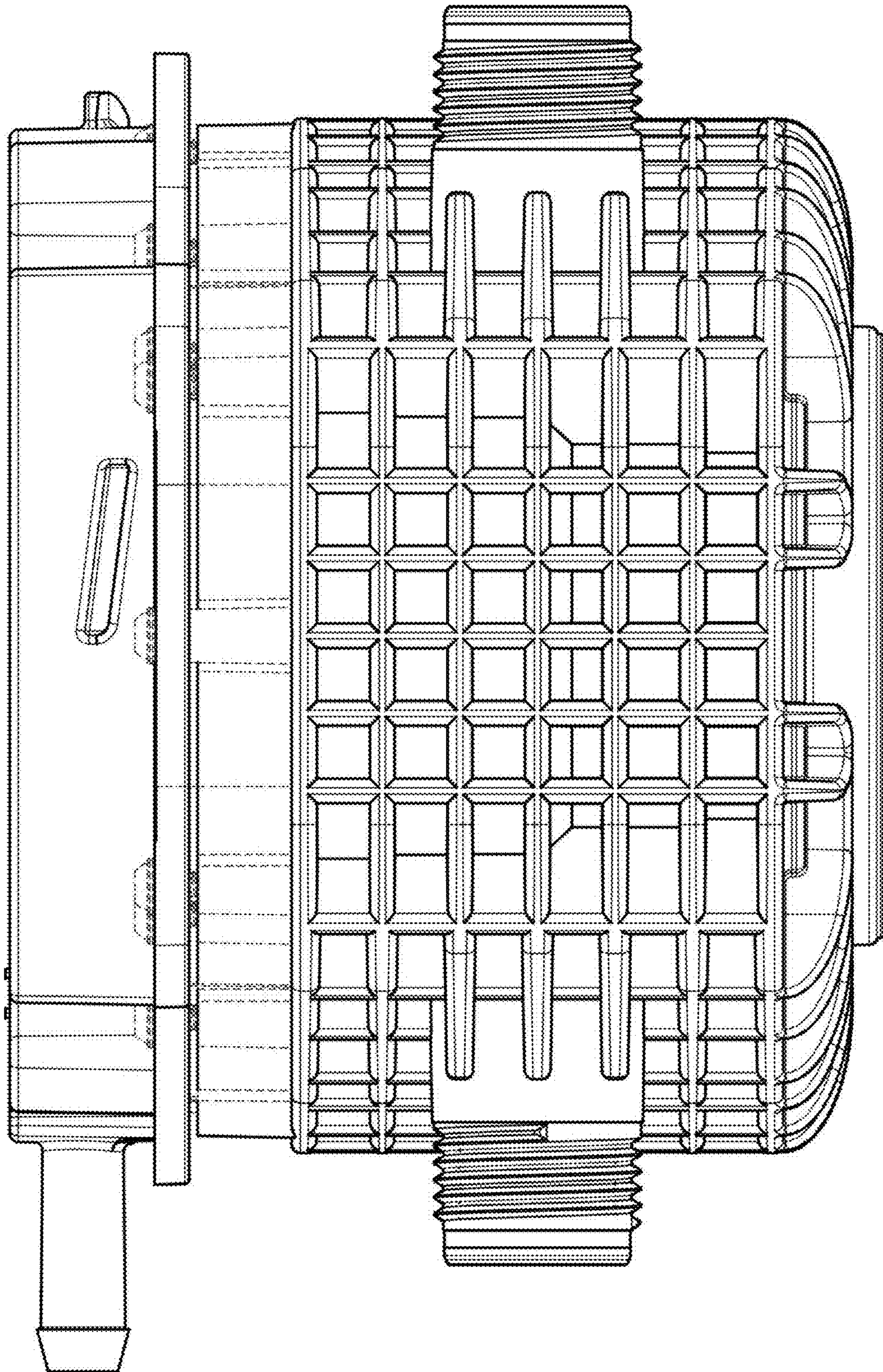


1.1



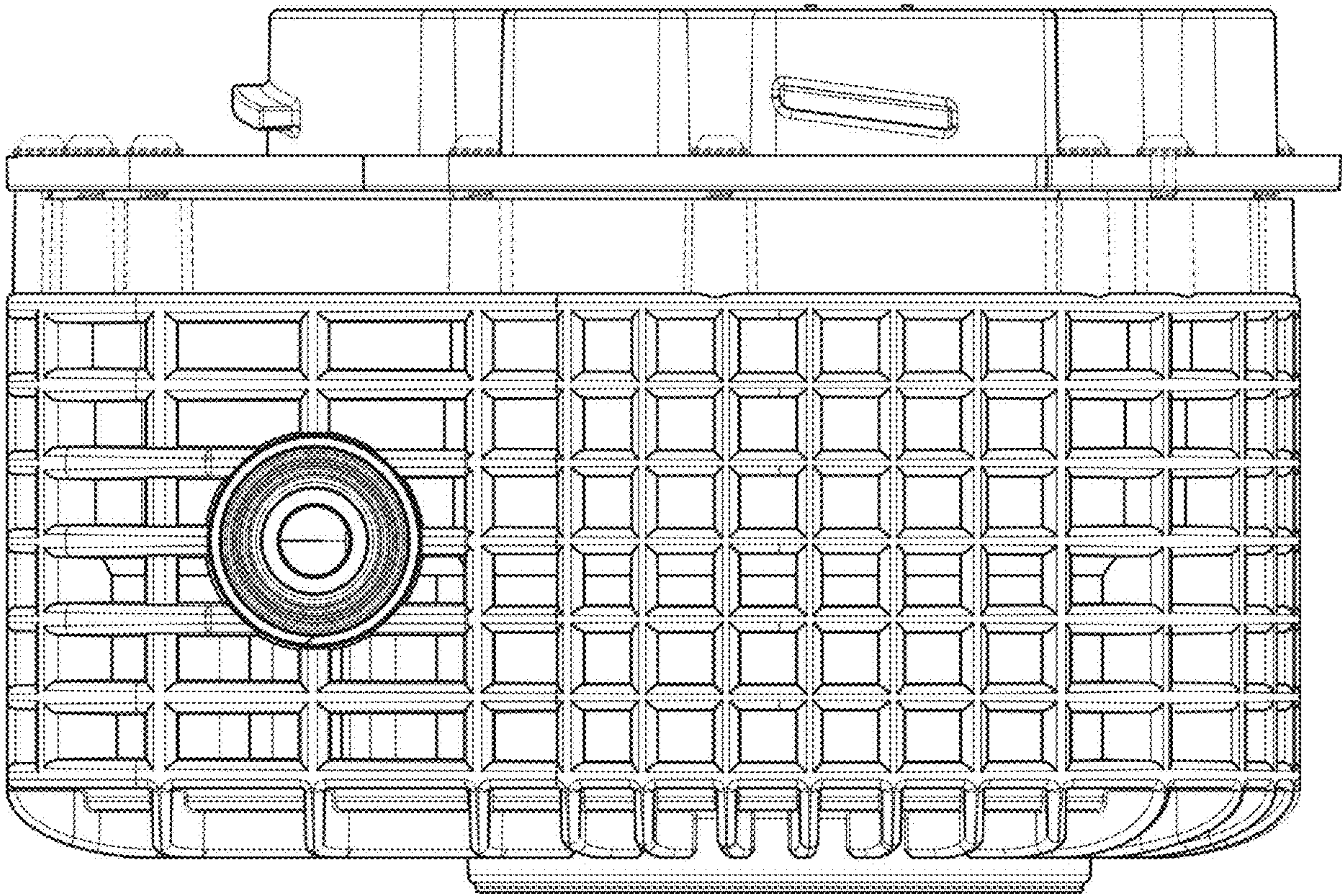


1.2



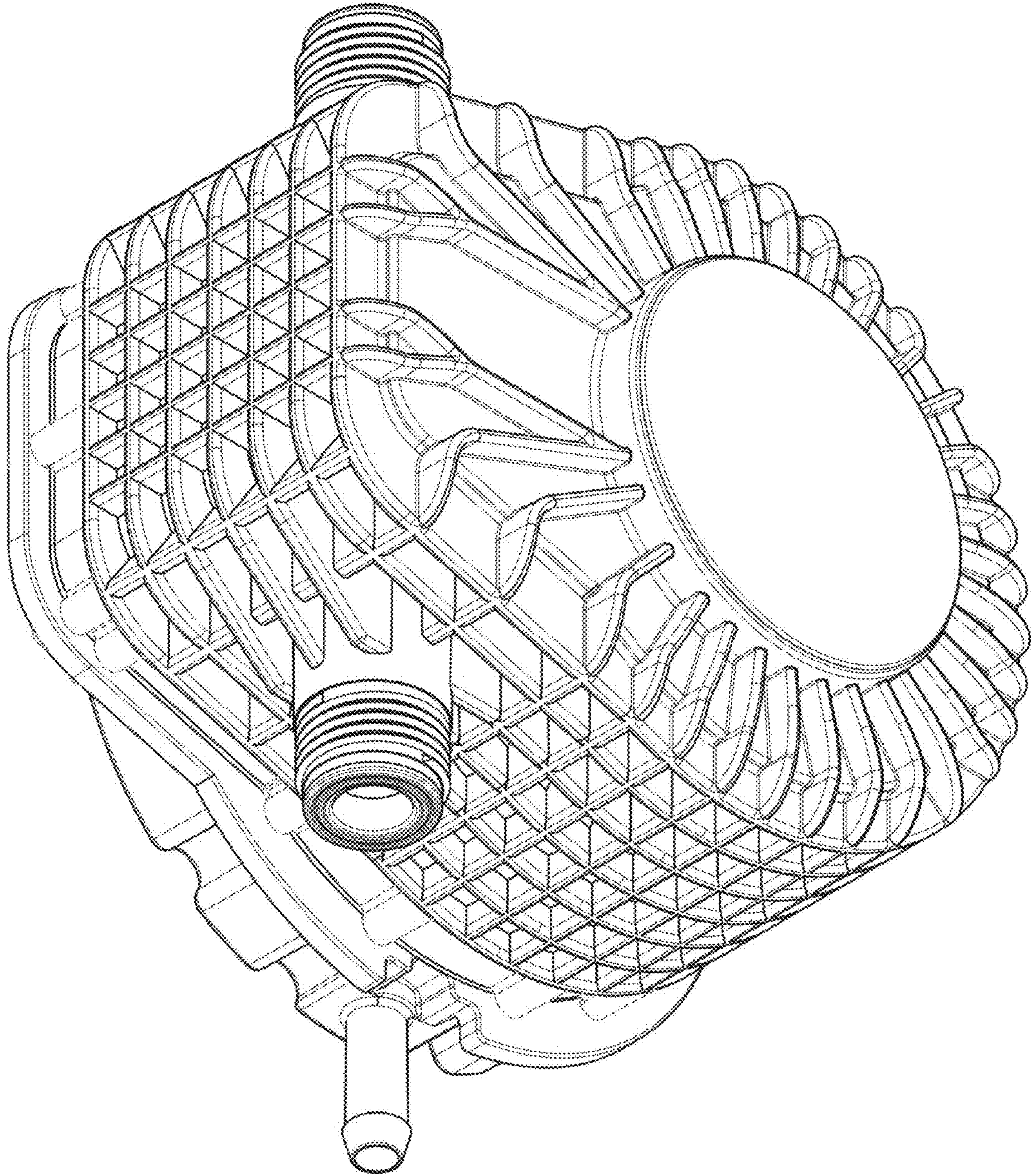


1.3



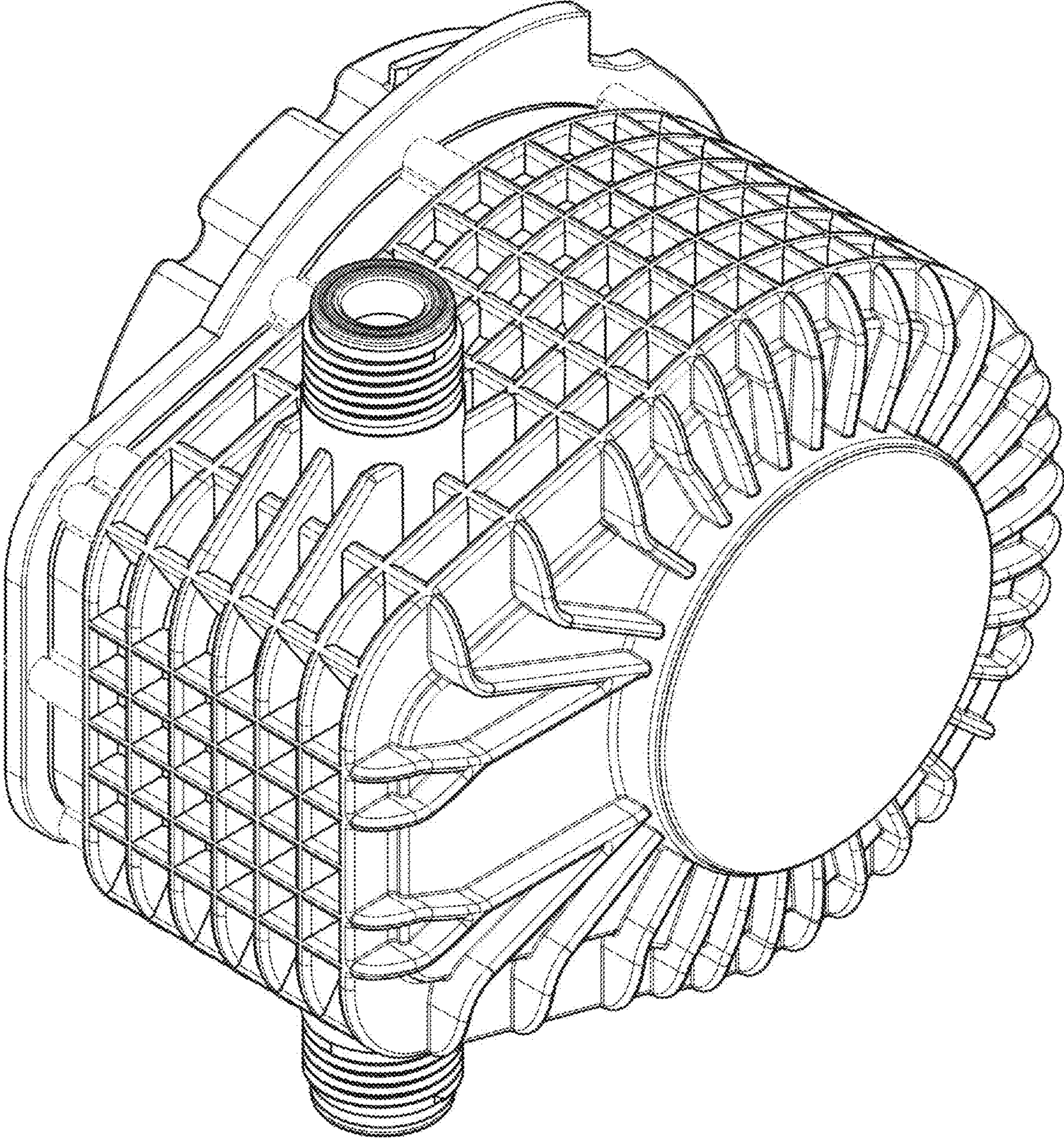


1.4



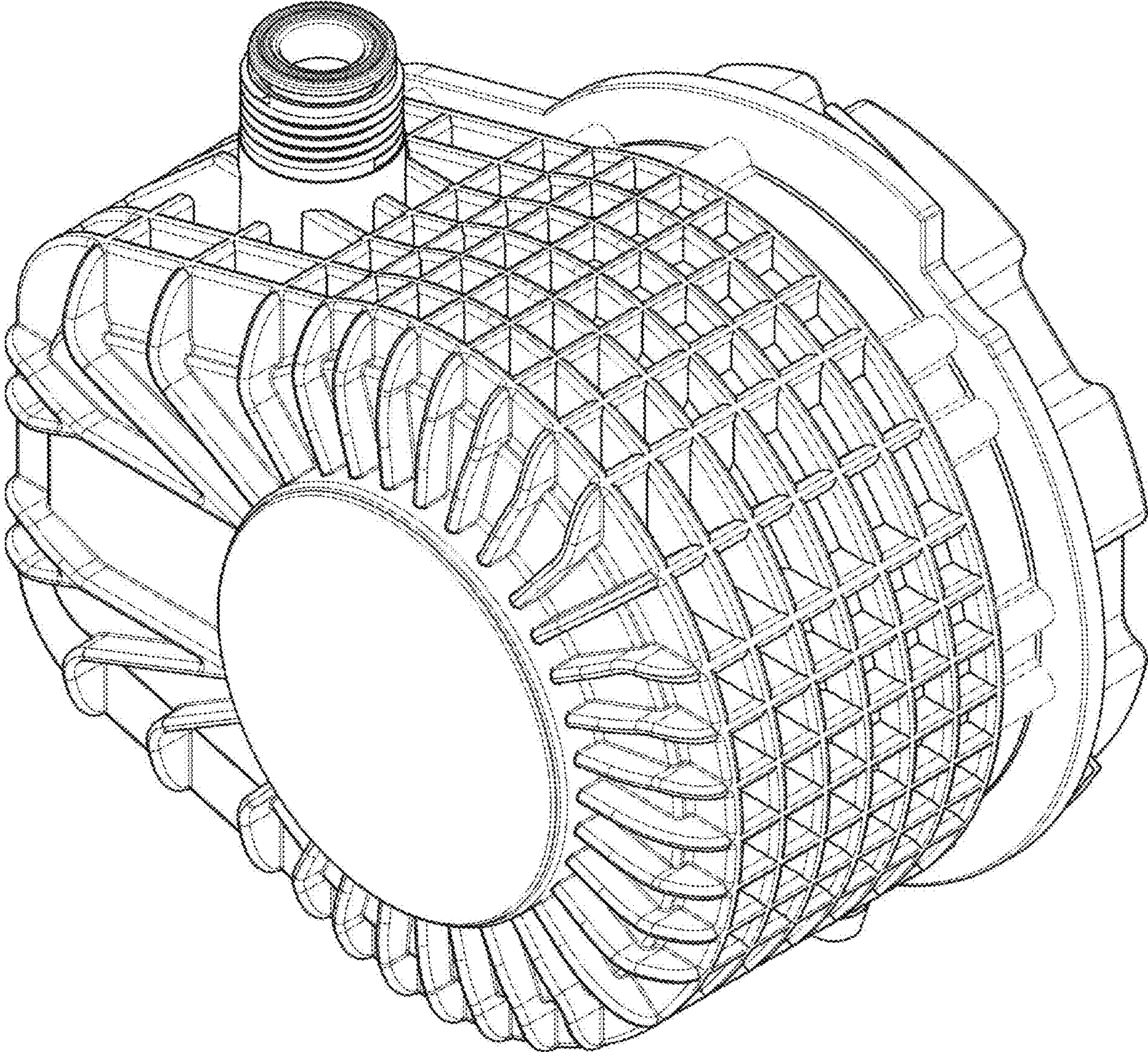


1.5



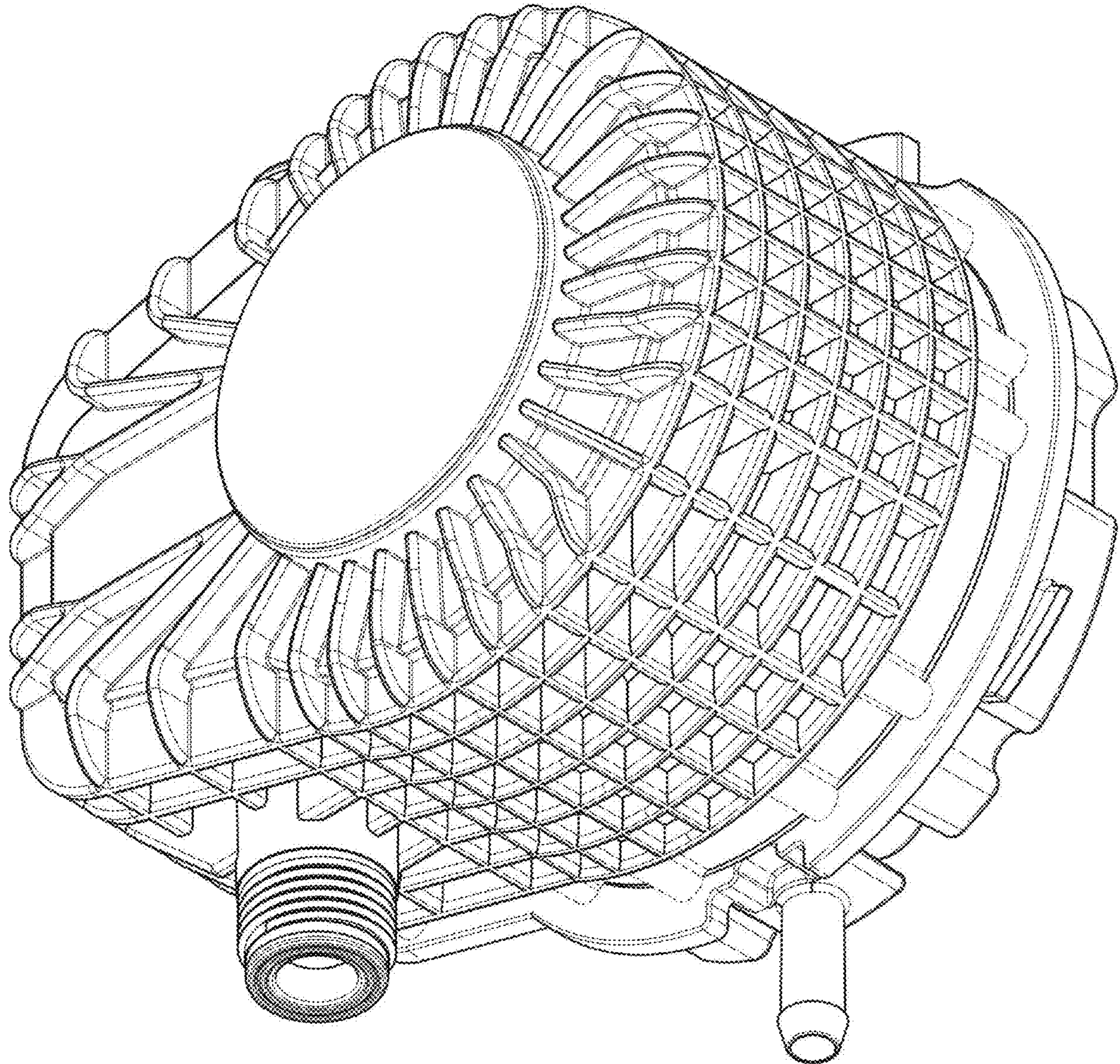


1.6





1.7





UNITED STATES PATENT AND TRADEMARK OFFICE  
**CERTIFICATE OF CORRECTION**

PATENT NO. : D975,751 S  
APPLICATION NO. : 35/509548  
DATED : January 17, 2023  
INVENTOR(S) : Lars Freiherr Varnbuler von und zu Hemmingen-Redschlag et al.

Page 1 of 1

It is certified that error appears in the above-identified patent and that said Letters Patent is hereby corrected as shown below:

On the Title Page

Item (73) Assignee:

Please delete "Watson-Marlow GmbH-qonqave, Wernau (DE)" and insert  
--Watson-Marlow GmbH, Rommerskirchen (DE)--

Signed and Sealed this  
Twenty-seventh Day of August, 2024



Katherine Kelly Vidal  
*Director of the United States Patent and Trademark Office*