



US00D975750S

(12) **United States Design Patent** (10) **Patent No.:** **US D975,750 S**
Kuster et al. (45) **Date of Patent:** **** Jan. 17, 2023**

(54) **PUMP ASSEMBLY**

(56) **References Cited**

(71) Applicants: **Hans L. Kuster**, Barrington, RI (US);
Michael McNamara, Coventry, RI
(US)

U.S. PATENT DOCUMENTS

(72) Inventors: **Hans L. Kuster**, Barrington, RI (US);
Michael McNamara, Coventry, RI
(US)

D178,194 S *	7/1956	Lung	D15/7
D233,800 S *	11/1974	Sadler et al.	D15/7
D280,800 S *	10/1985	Chalberg	D8/380
D369,957 S *	5/1996	Blanton	D8/373
D391,270 S *	2/1998	Chowdhury	D15/7
D523,802 S *	6/2006	Reimitz	D12/223
D589,983 S *	4/2009	Sinico	D15/7
D590,421 S *	4/2009	Shibukawa	D15/7
D599,380 S *	9/2009	Moreira	D15/7
D599,643 S *	9/2009	Dinh	D8/354
D603,426 S *	11/2009	Hauser	D15/7
D603,870 S *	11/2009	Mehnert	D15/7
8,083,500 B1 *	12/2011	Lebkuchner	H02K 5/128 417/423.15
8,303,184 B1	11/2012	Lebkuchner et al.	
D684,033 S *	6/2013	Preda	D8/354
9,328,736 B2	5/2016	Lebkuchner et al.	
D760,066 S *	6/2016	Krenek	D8/354
9,863,647 B1	1/2018	McNamara et al.	

(73) Assignee: **AquaMotion, Inc.**, Barrington, RI (US)

(**) Term: **15 Years**

(21) Appl. No.: **29/842,499**

(22) Filed: **Jun. 14, 2022**

Related U.S. Application Data

(60) Continuation of application No. 29/837,204, filed on May 3, 2022, and a continuation of application No. 29/832,058, filed on Mar. 24, 2022, and a continuation of application No. 29/829,955, filed on Mar. 9, 2022, now Pat. No. Des. 960,202, which is a division of application No. 29/754,904, filed on Oct. 15, 2020, now Pat. No. Des. 949,927.

Primary Examiner — Calvin E Vansant
Assistant Examiner — Mark T. Philipps
(74) *Attorney, Agent, or Firm* — Salter & Michaelson

(51) **LOC (14) Cl.** **15-02**

(52) **U.S. Cl.**
USPC **D15/7**

(58) **Field of Classification Search**
USPC D23/206, 318, 319, 322, 387, 421, 499;
D15/1, 3, 6, 7-9; D13/110, 122, 124,
D13/159, 166; D8/16, 354
CPC F04D 13/06; F04D 29/041; F04D 29/22;
F04D 29/60; F04D 29/605; F04B 17/03;
F04B 17/046; F04B 17/048; F04B 35/04;
F04B 43/04; F04B 43/043

See application file for complete search history.

(Continued)

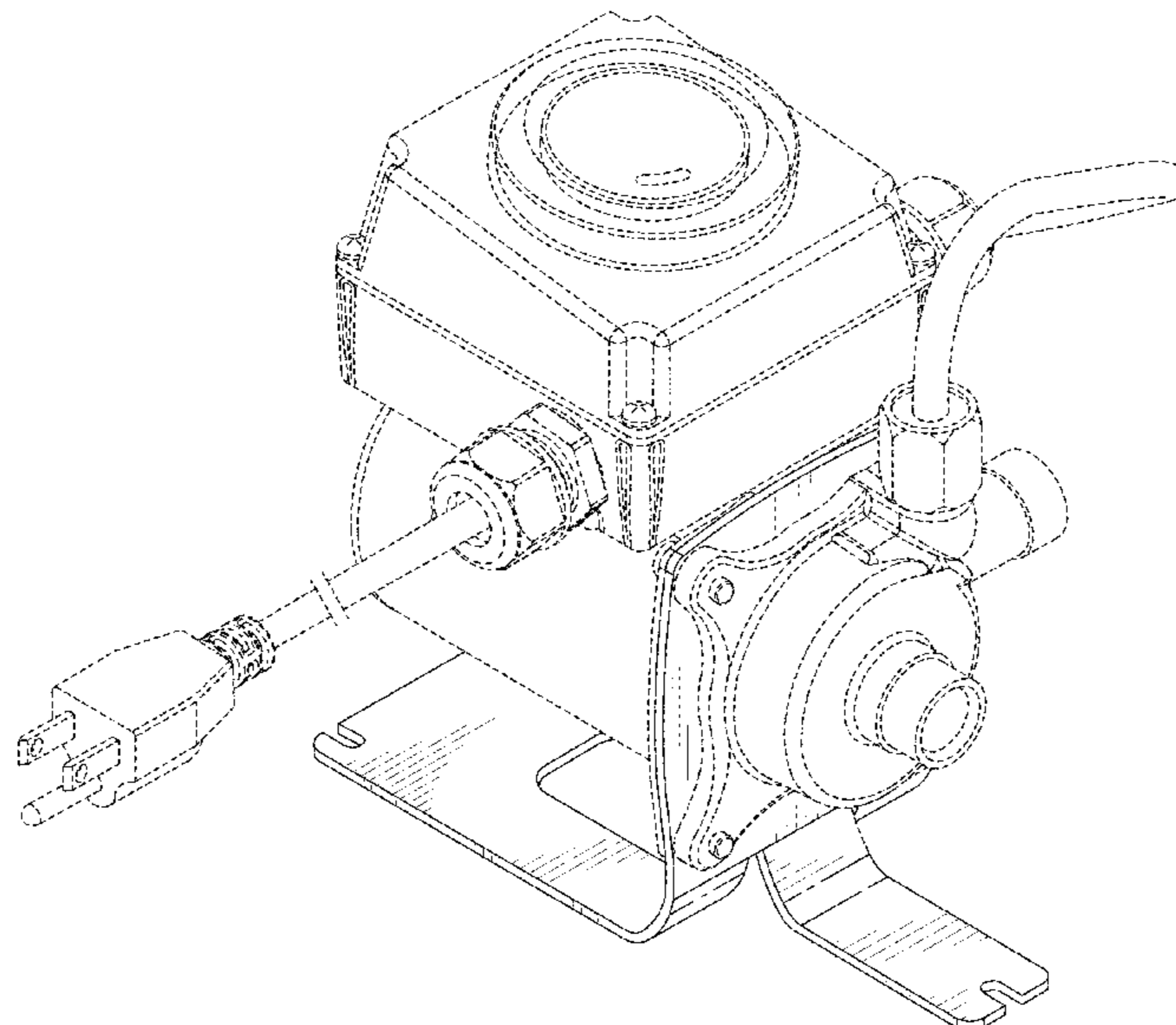
CLAIM

The ornamental design for a pump assembly, as shown and described.

DESCRIPTION

FIG. 1 is a perspective view of a pump assembly;
FIG. 2 is a front elevational view thereof;
FIG. 3 is a rear elevational view thereof;
FIG. 4 is a top plan view thereof;
FIG. 5 is a bottom plan view thereof;
FIG. 6 is a left side elevational view thereof; and,
FIG. 7 is a right side elevational view thereof.
The broken lines shown in the drawing views are included for the purpose of showing environmental structure that forms no part of the claimed design.

1 Claim, 7 Drawing Sheets



(56)

References Cited

U.S. PATENT DOCUMENTS

D815,152 S * 4/2018 Berry D15/7
D834,145 S 11/2018 McNamara et al.
D872,132 S * 1/2020 Sofussen D15/7
10,612,793 B1 4/2020 Kuster et al.
D884,033 S * 5/2020 Sinico D15/7
11,193,605 B1 12/2021 Kuster et al.
D949,927 S 4/2022 Kuster et al.
D957,232 S * 7/2022 Sharma D8/354
D960,964 S * 8/2022 Laubenthal D16/242

* cited by examiner

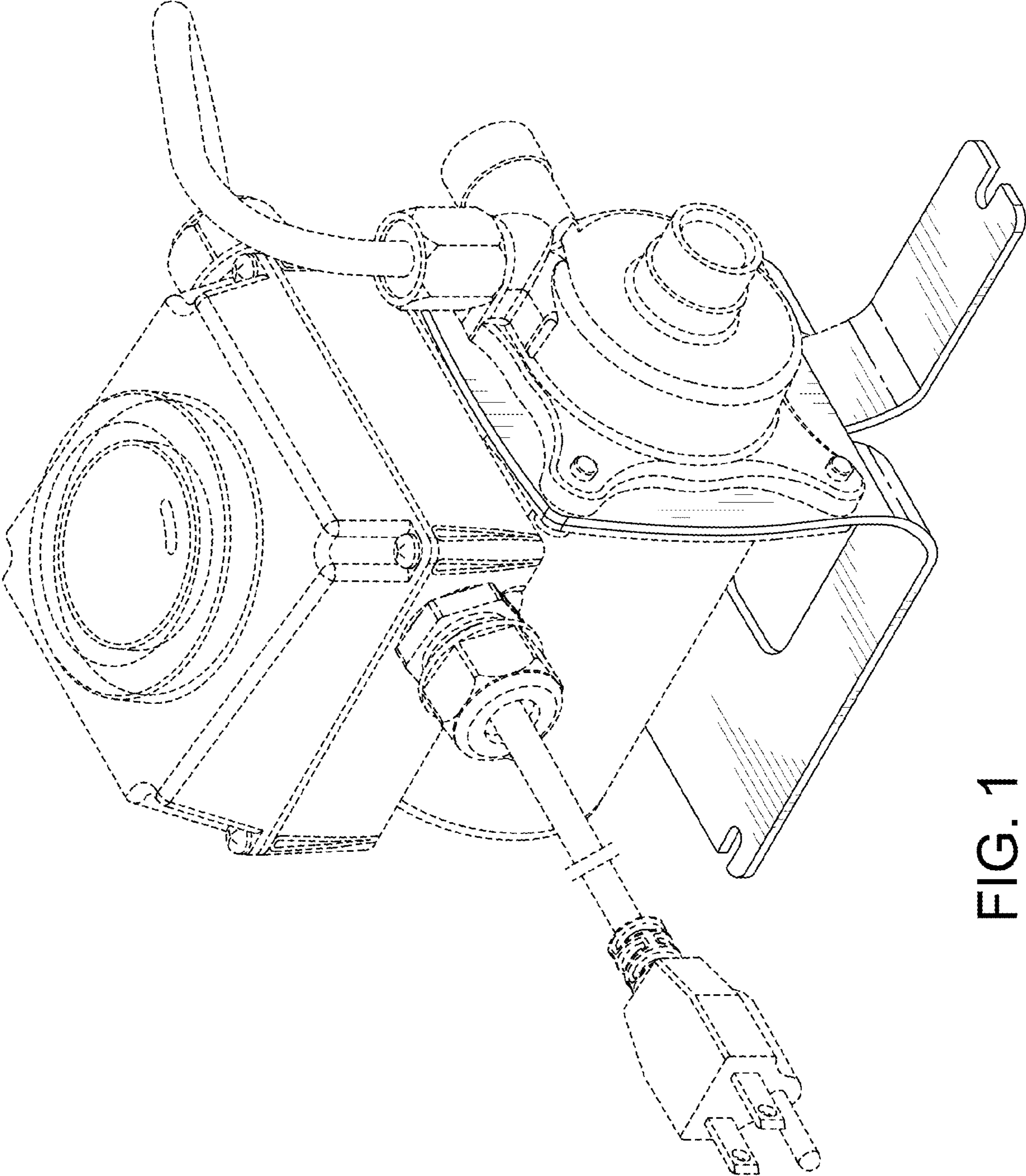


FIG. 1

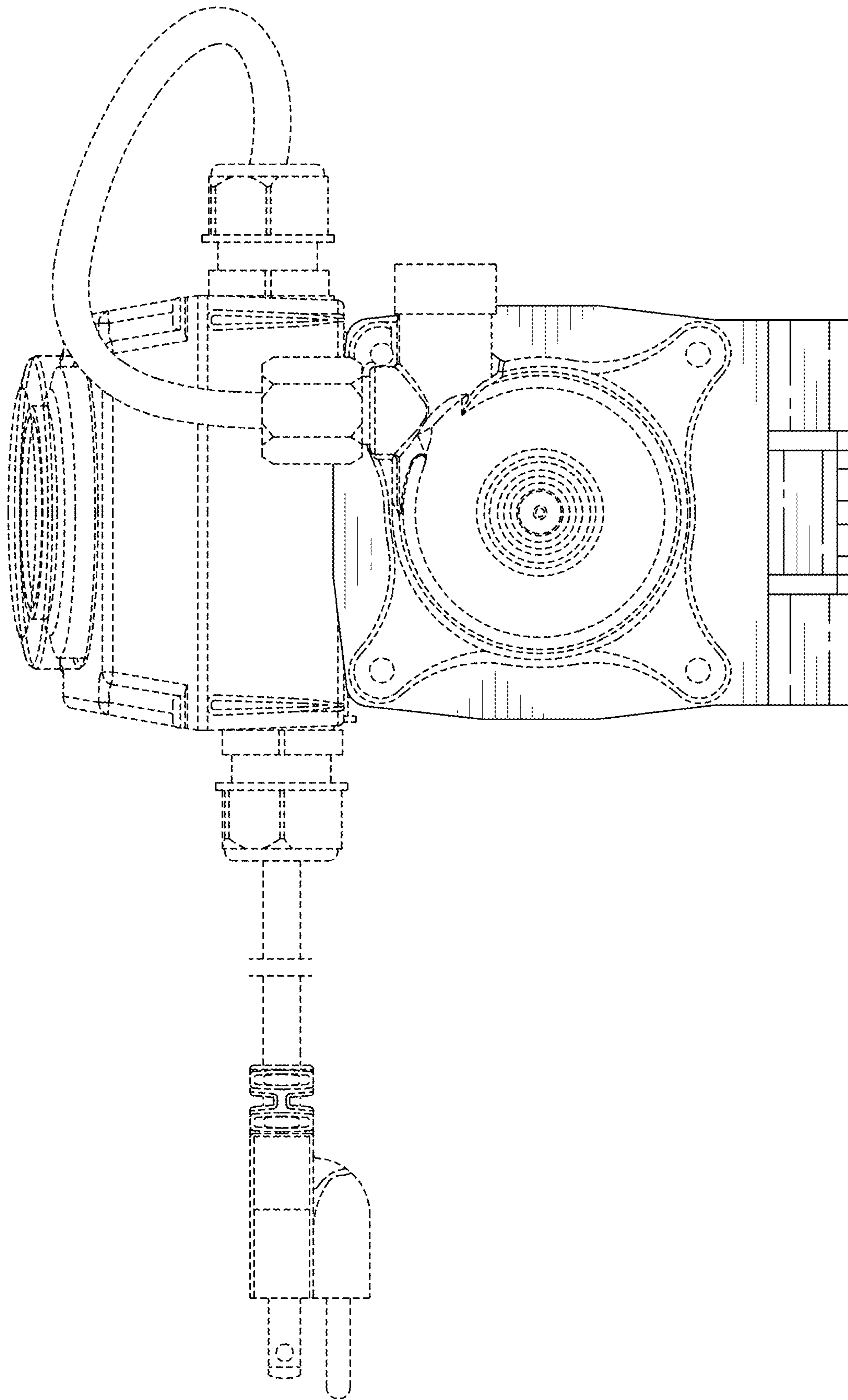


FIG. 2

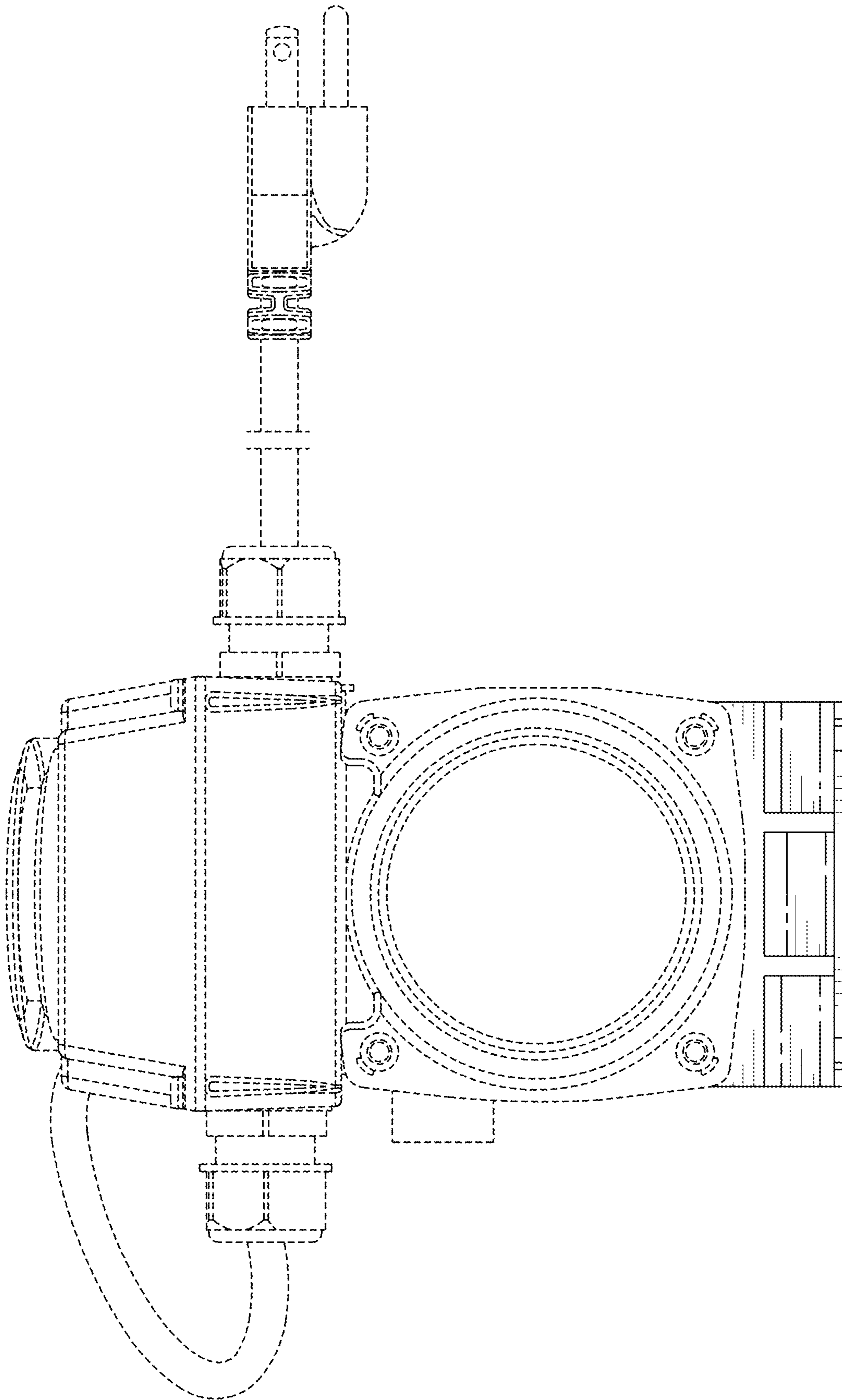


FIG. 3

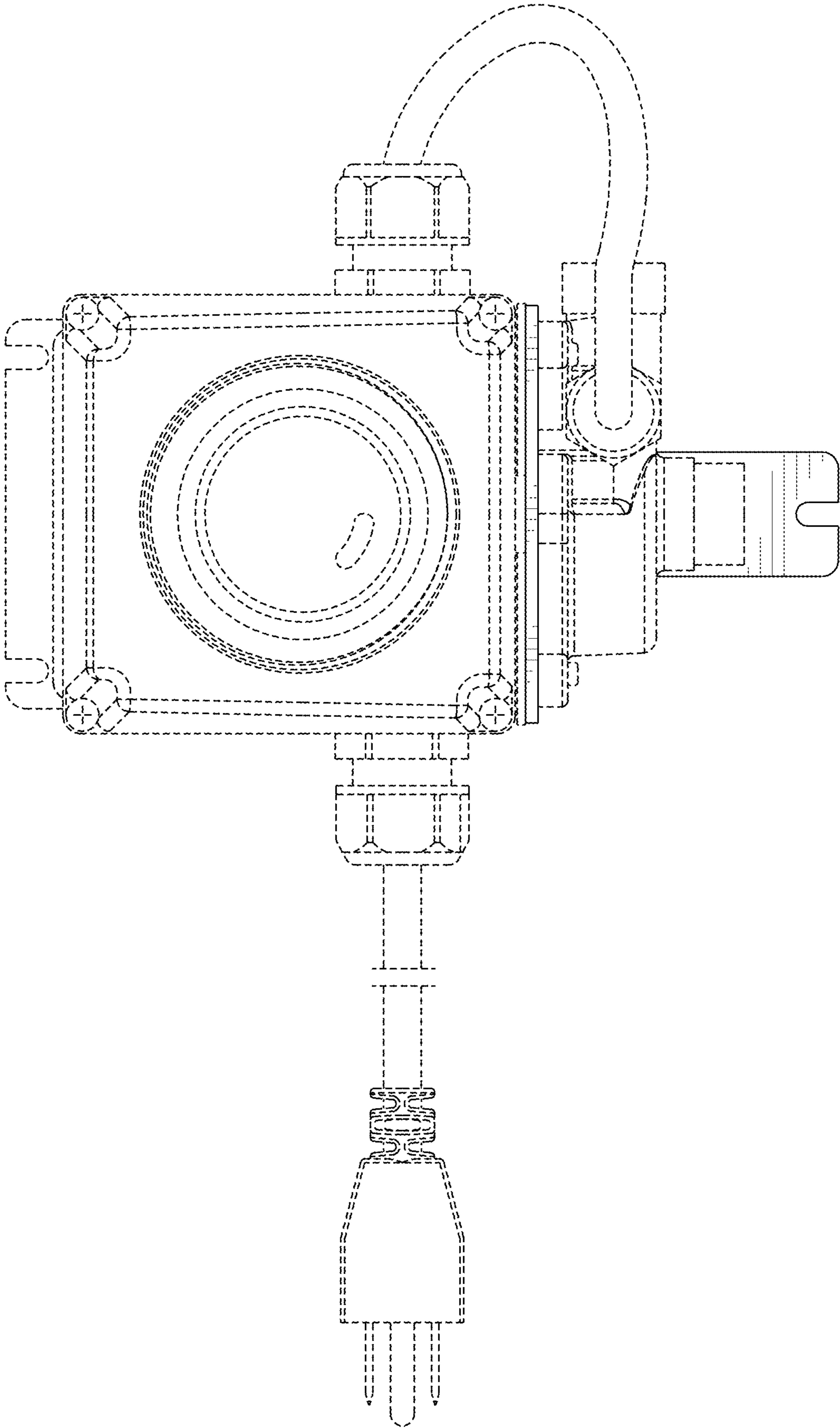


FIG. 4

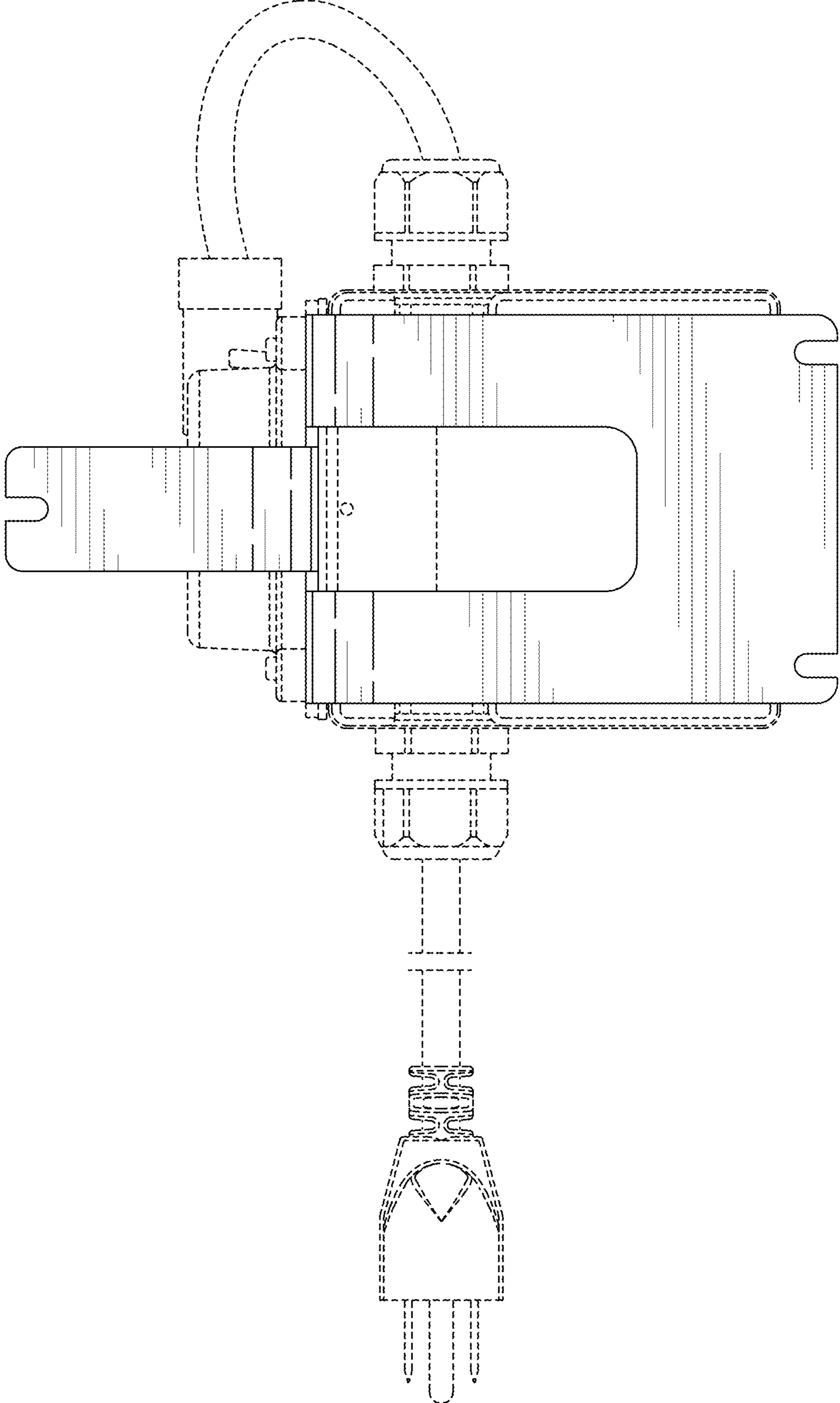


FIG. 5

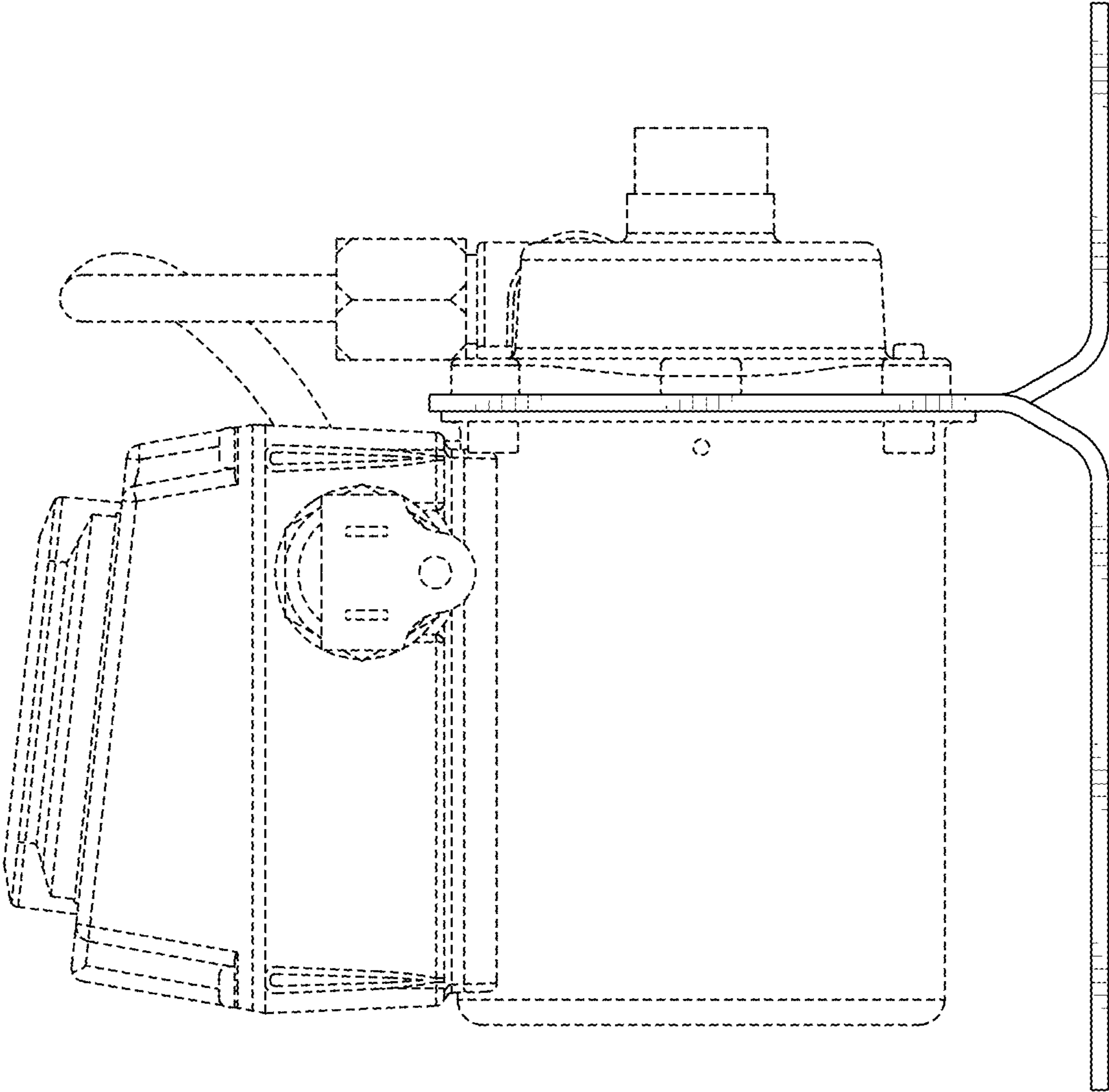


FIG. 6

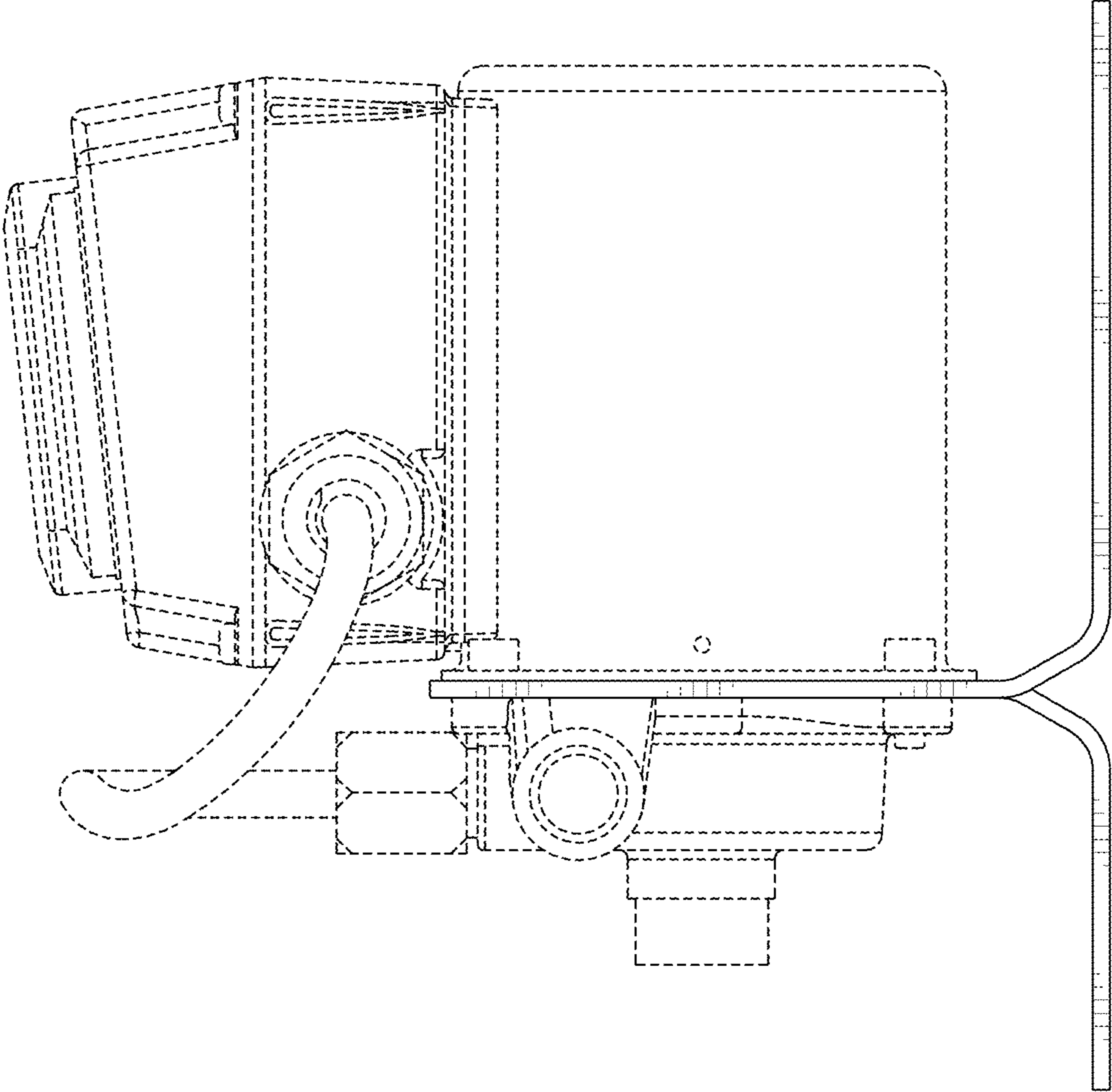


FIG. 7