



US00D975747S

(12) **United States Design Patent** (10) **Patent No.:** **US D975,747 S**
Solana et al. (45) **Date of Patent:** **** Jan. 17, 2023**

(54) **CONSOLE FOR PNEUMATIC
COMPRESSION DEVICE**

D740,930 S * 10/2015 Pipe D24/108
D745,137 S * 12/2015 Pipe D24/108
9,737,766 B2 8/2017 Ladd

(71) Applicant: **Therabody, Inc.**, Los Angeles, CA
(US)

(Continued)

(72) Inventors: **Jaime Sanchez Solana**, Los Angeles,
CA (US); **Brian Carberry**, Beverly
Hills, CA (US); **Brian Zeng**, Dongguan
(CN); **Washington Alexander Silva
Garces**, Los Angeles, CA (US);
William Webb, San Francisco, CA
(US)

FOREIGN PATENT DOCUMENTS

CN 306499032 S 4/2021
JP 1640263 S 9/2019

(73) Assignee: **Therabody, Inc.**, Los Angeles, CA
(US)

OTHER PUBLICATIONS

TheraGun Store, Therabody Recovery Air PRO, (first available on
Jan. 22, 2022), Amazon.com, URL:<[https://www.amazon.com/
Therabody-RecoveryAir-PRO-Customizable-Compression/dp/
B09QV5TRY9](https://www.amazon.com/Therabody-RecoveryAir-PRO-Customizable-Compression/dp/B09QV5TRY9)> (Year: 2022).*

(Continued)

(**) Term: **15 Years**

Primary Examiner — Calvin E Vansant

(21) Appl. No.: **29/825,451**

Assistant Examiner — Mark T. Philipps

(22) Filed: **Feb. 1, 2022**

(74) *Attorney, Agent, or Firm* — Sterne, Kessler,
Goldstein & Fox P.L.L.C.

(51) **LOC (14) Cl.** **15-02**

(52) **U.S. Cl.**
USPC **D15/7**

(58) **Field of Classification Search**
USPC D15/7-9; D14/163, 165, 172, 203.3,
D14/203.6, 209.1, 214, 221, 480.1, 480.4,
D14/496, 497, 499, 509, 510; D24/108,
D24/109, 111, 168, 186, 213, 217, 218,
D24/233; D23/225, 231, 232, 366, 356;
D13/107
CPC F04B 53/14; F04B 53/92; F04B 33/00;
F04B 33/005; F04B 1/005; F04D 13/06;
F04D 29/22; F04D 29/046; F04D
29/2266; F16K 11/048; F16K 15/20;
F16K 31/602; F16L 37/18; F16L 37/20;
A61H 1/006; A61H 1/00; A61H 9/0078

See application file for complete search history.

(57) **CLAIM**

The ornamental design for a console for pneumatic com-
pression device, as shown and described.

DESCRIPTION

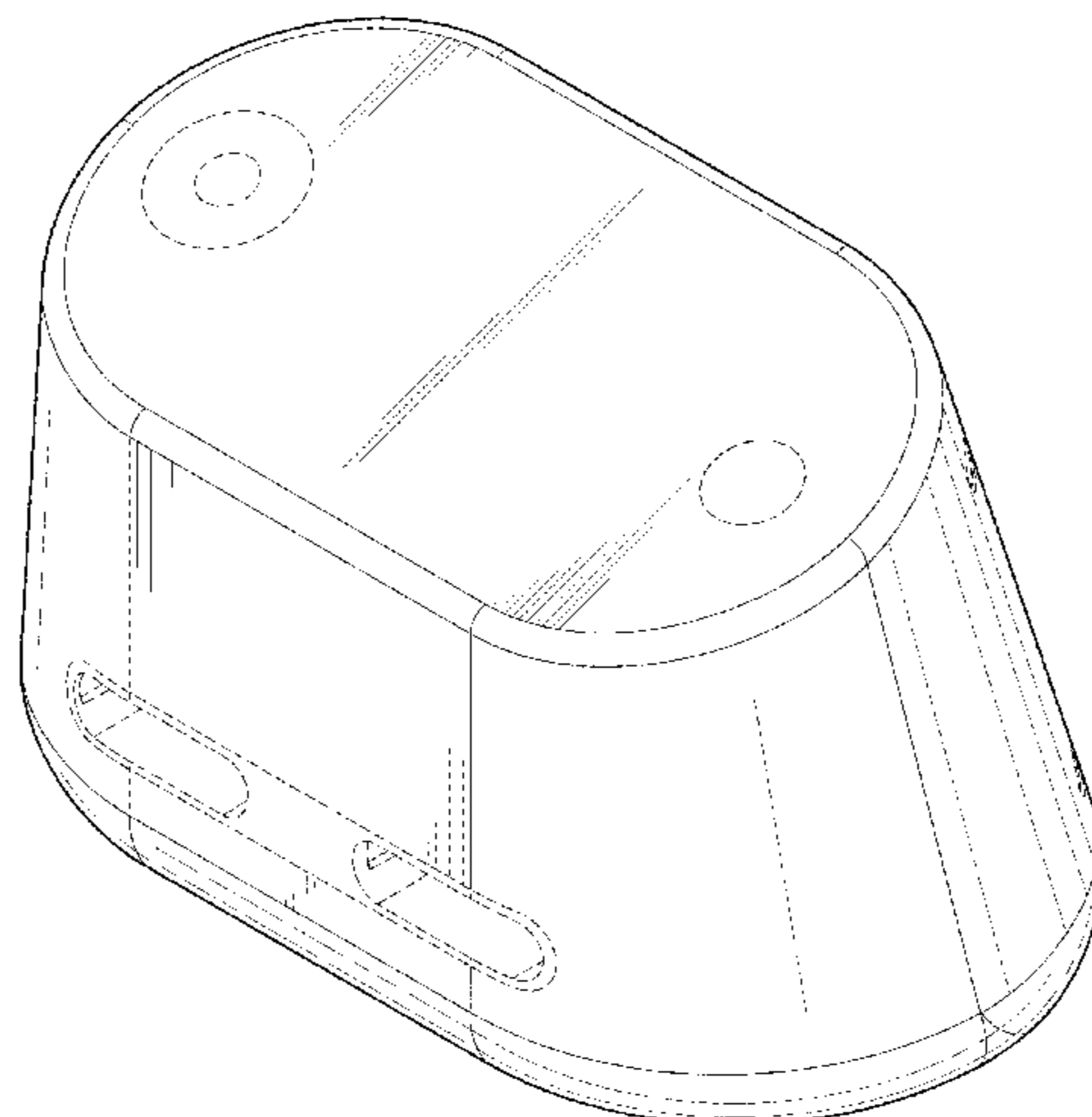
FIG. 1 is a perspective view of a console for pneumatic
compression device, showing our new design;
FIG. 2 is a front elevational view thereof;
FIG. 3 is a rear elevational view thereof;
FIG. 4 is a right elevational view thereof;
FIG. 5 is a left elevational view thereof;
FIG. 6 is a top plan view thereof; and,
FIG. 7 is a bottom plan view thereof.
The broken lines in the figures show portions of the console
for pneumatic compression device that form no part of the
claimed design.

(56) **References Cited**

U.S. PATENT DOCUMENTS

D662,644 S * 6/2012 Wauters D26/83
D696,761 S * 12/2013 Jorgensen D23/366

1 Claim, 7 Drawing Sheets



(56)

References Cited

U.S. PATENT DOCUMENTS

9,839,573	B2	12/2017	Mansur, Jr.	
9,931,269	B2	4/2018	Mansur, Jr.	
D851,255	S	6/2019	Fluxman	
D868,034	S *	11/2019	Summerson D14/216
D873,863	S *	1/2020	Marini B29C 73/166 D15/7
D889,681	S *	7/2020	Maw D24/217
D926,720	S *	8/2021	Arefti D14/172
D927,550	S *	8/2021	Mangum D14/496
D939,688	S *	12/2021	He D24/109
D940,575	S *	1/2022	Deem D10/49
D951,302	S *	5/2022	Van Stell D15/7
2015/0057585	A1	2/2015	Ladd	
2021/0175387	A1	6/2021	Ting et al.	

OTHER PUBLICATIONS

Sophie Cannon, Shop the new Therabody Recovery Air wireless compression boots now, (published Feb. 16, 2022), NY Post website, URL:<<https://nypost.com/2022/02/16/try-the-new-therabody-recoveryair-wireless-compression-boots/>> (Year: 2022).*

<https://www.recoveryforathletes.com/products/therabody-recoveryair-compression-system>.

<https://www.air-relax.com/products/airrelax-recovery-boots-us>.

<https://sunlion.en.made-in-china.com/product/XdLJSpTGJakH/China-Medical-Ce-Air-Compression-Therapy-Machine-Leg-Massage-Recovery-Boots.html>.

<https://www.spectralbody.com/fitness-gadgets/how-to-use-recovery-boots-the-best-air-compression-systems/>.

<https://rp-x.com/recovery-pump/>.

* cited by examiner

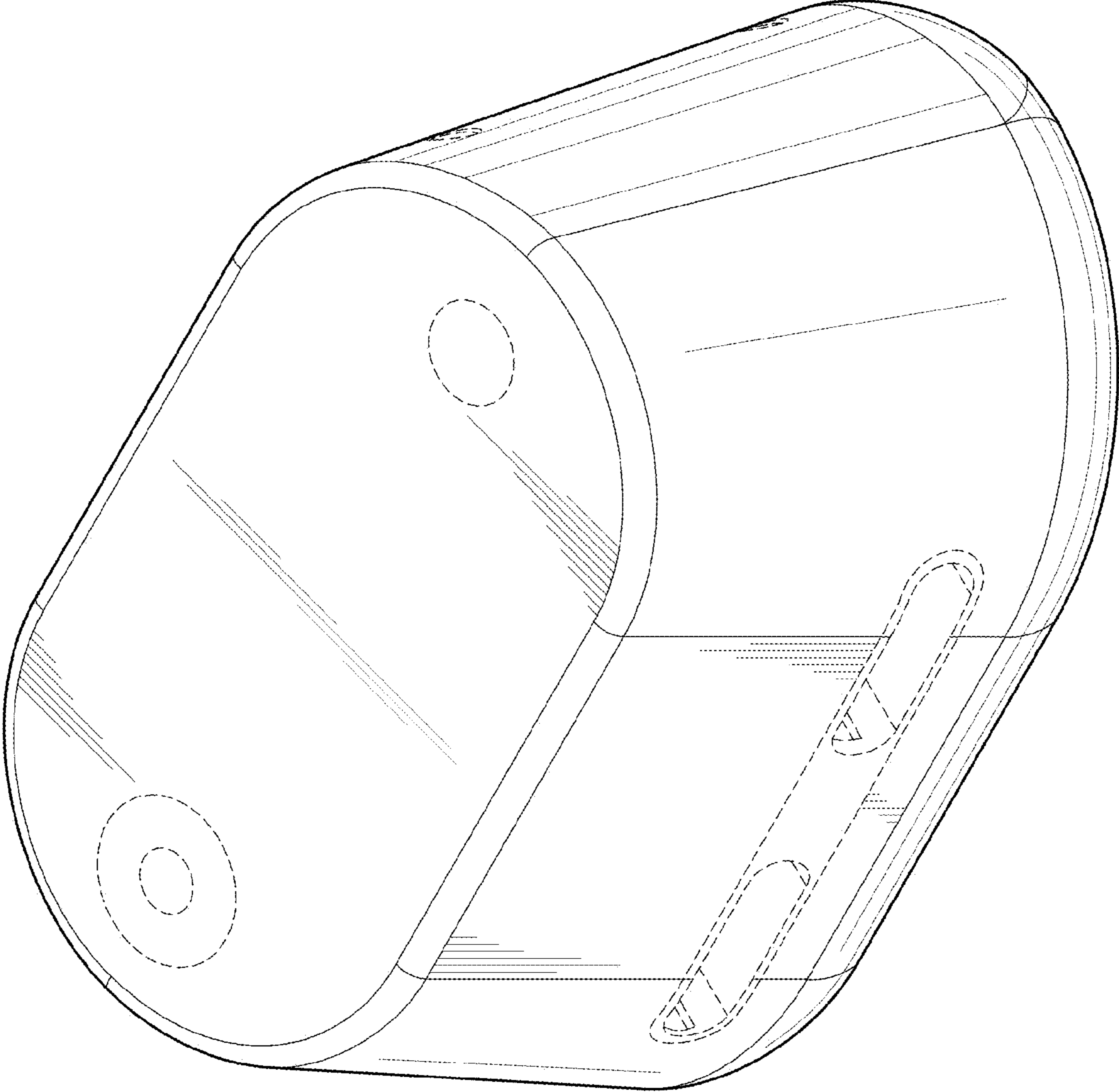


FIG. 1

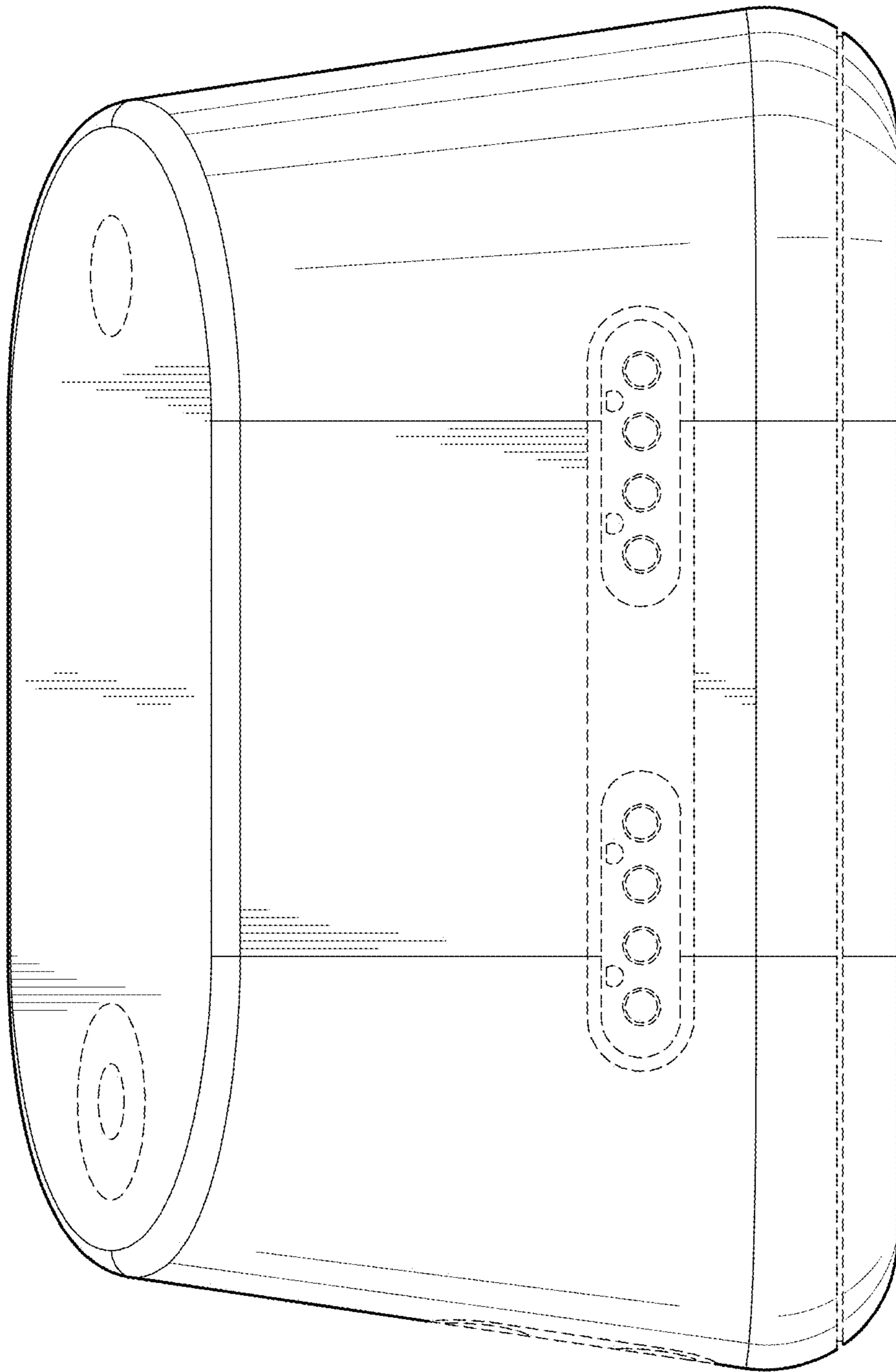


FIG. 2

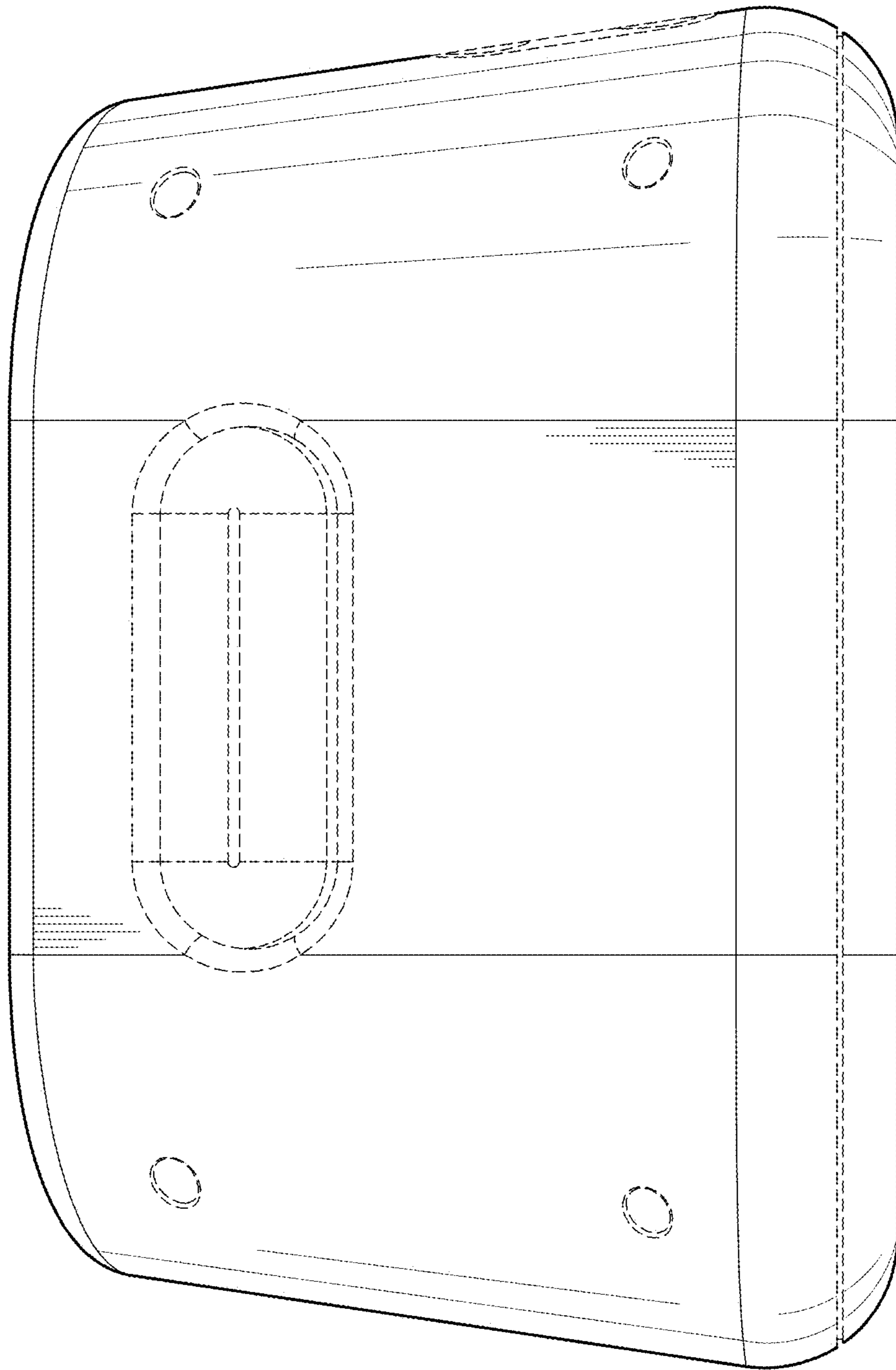


FIG. 3

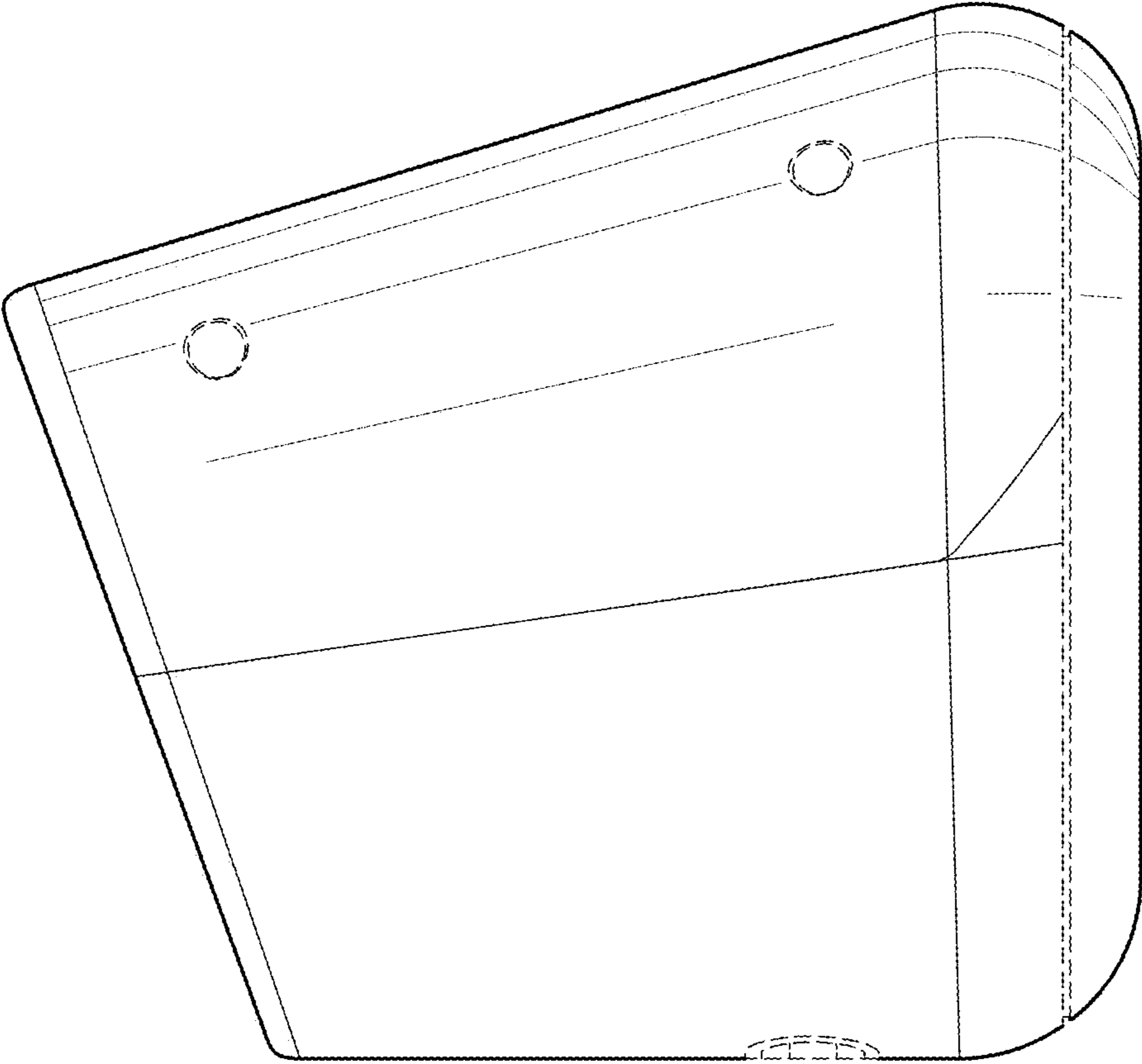


FIG. 4

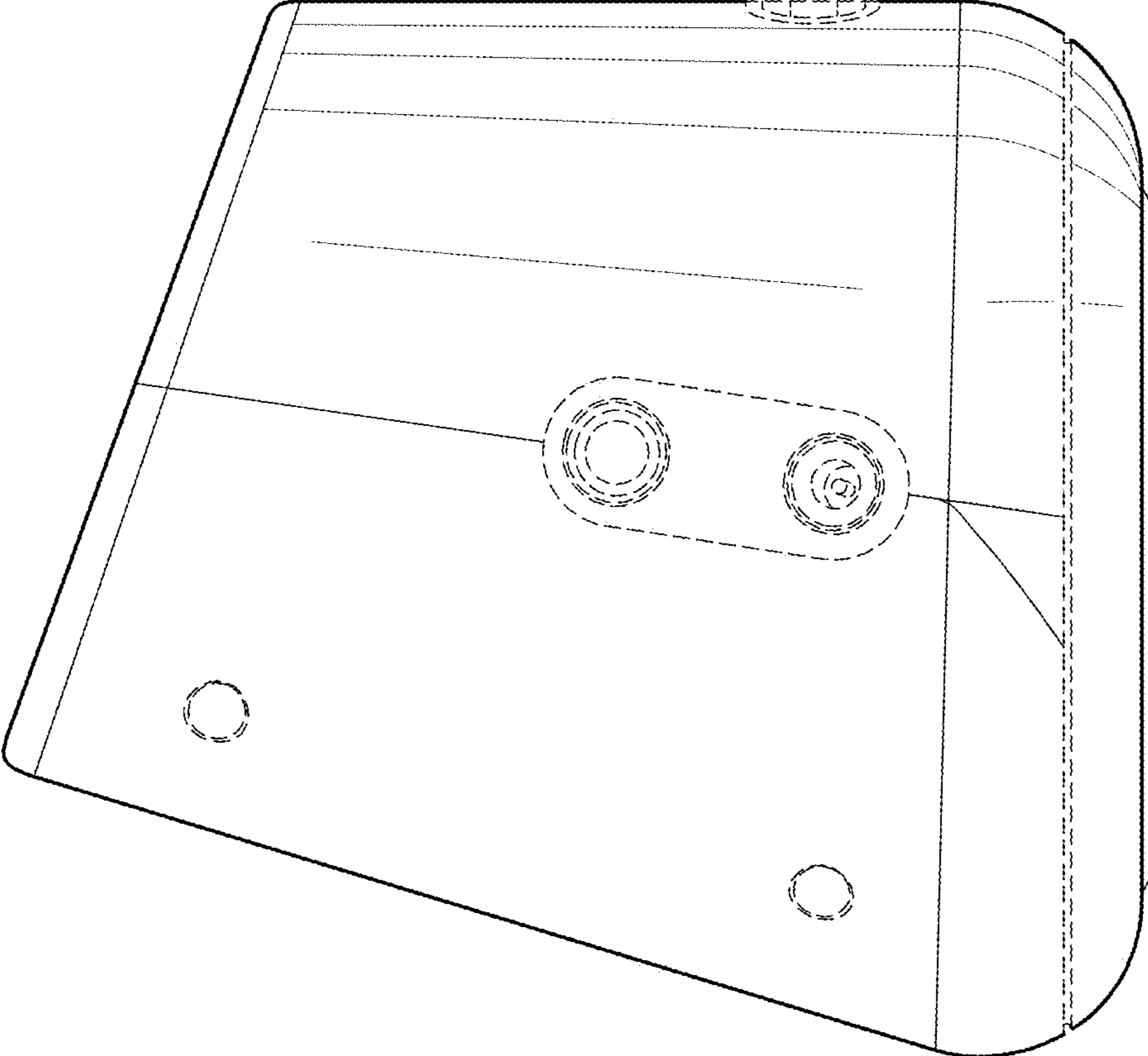


FIG. 5

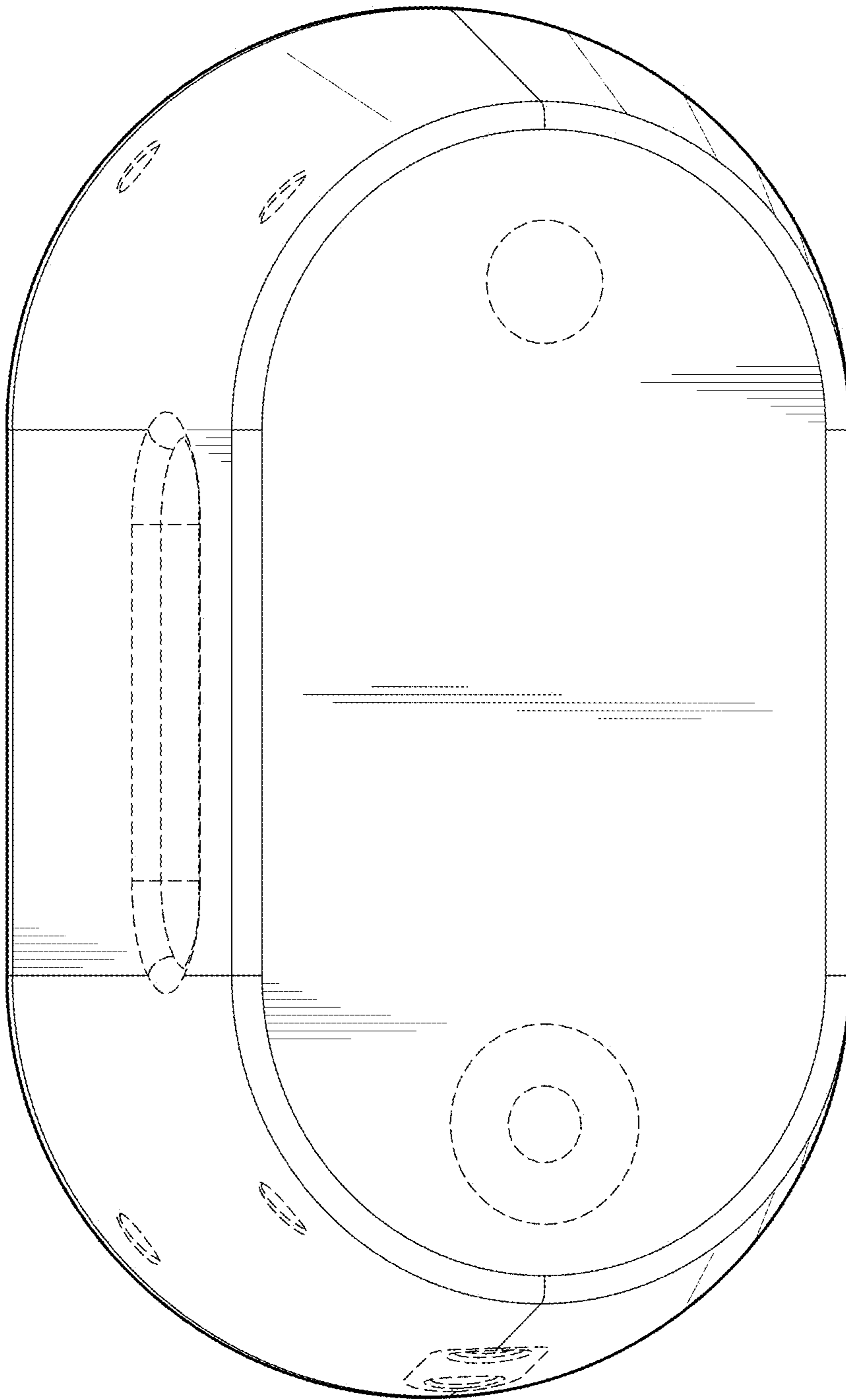


FIG. 6

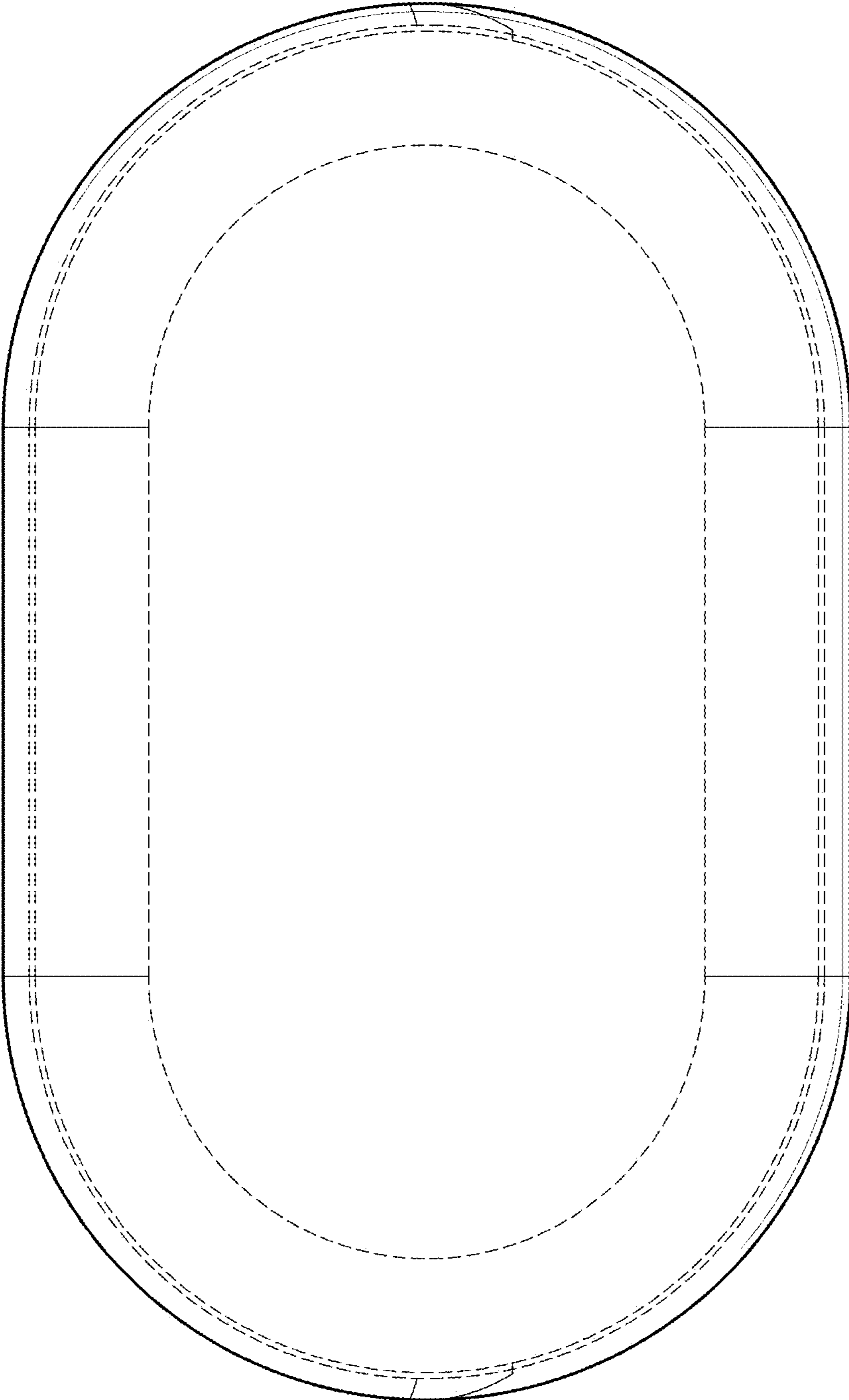


FIG. 7