



US00D975745S

(12) **United States Design Patent**
Yang et al.

(10) **Patent No.:** **US D975,745 S**
(45) **Date of Patent:** **** Jan. 17, 2023**

(54) **OIL DRAIN PLUG**
(71) Applicant: **Guangzhou Issyzone Technology Co., Limited**, Guangzhou (CN)
(72) Inventors: **Taiping Yang**, Guangzhou (CN); **Zhuo Jia**, Guangzhou (CN)
(**) Term: **15 Years**

2002/0040732 A1* 4/2002 King, Jr. F16L 41/065
137/318
2006/0054402 A1* 3/2006 Dorian B03C 1/286
184/1.5
2007/0290159 A1* 12/2007 Jang F01M 11/0408
251/344
2008/0128206 A1* 6/2008 Wilkins F01M 11/0408
184/1.5
2009/0057058 A1* 3/2009 Meyers F01M 11/0408
123/196 R

(Continued)

(21) Appl. No.: **29/791,494**

(22) Filed: **Jan. 13, 2022**

(51) **LOC (14) Cl.** **15-01**

(52) **U.S. Cl.**
USPC **D15/5**; D15/150

(58) **Field of Classification Search**
USPC D15/1-5; D9/434, 435; D23/206, 213,
D23/248, 249; D24/121, 129, 231;
D99/99
CPC . F01M 11/00; F01M 11/0408; F01M 11/0458
See application file for complete search history.

(56) **References Cited**

U.S. PATENT DOCUMENTS

4,807,847 A * 2/1989 Martz F16K 1/38
251/351
5,048,578 A * 9/1991 Dorf F16K 15/044
141/351
D328,903 S * 8/1992 Bonbright D15/5
5,188,495 A * 2/1993 Jones, Jr. F16B 43/001
411/533
5,547,042 A * 8/1996 Platt F01M 11/0408
138/89
5,722,451 A * 3/1998 Godeau F16L 55/07
251/351
D545,405 S * 6/2007 Nightlinger D23/260
10,001,039 B2* 6/2018 Shin F01M 11/0408
D854,050 S * 7/2019 Mitchell D15/5
D894,346 S 8/2020 Brigham
2001/0007355 A1* 7/2001 Coupal F16K 31/504
251/351

OTHER PUBLICATIONS

Issyauto, Oil Drain Plugs Compatible with 2015-2021 F150 2.7L 5.0L, (first available Mar. 22, 2021), Amazon.com, URL:<https://www.amazon.com/Compatible-2015-2021-Mustang-Replace-plastic/dp/B08ZN1QJR3> (Year: 2021).*

(Continued)

Primary Examiner — Calvin E Vansant
Assistant Examiner — Mark T. Philipps

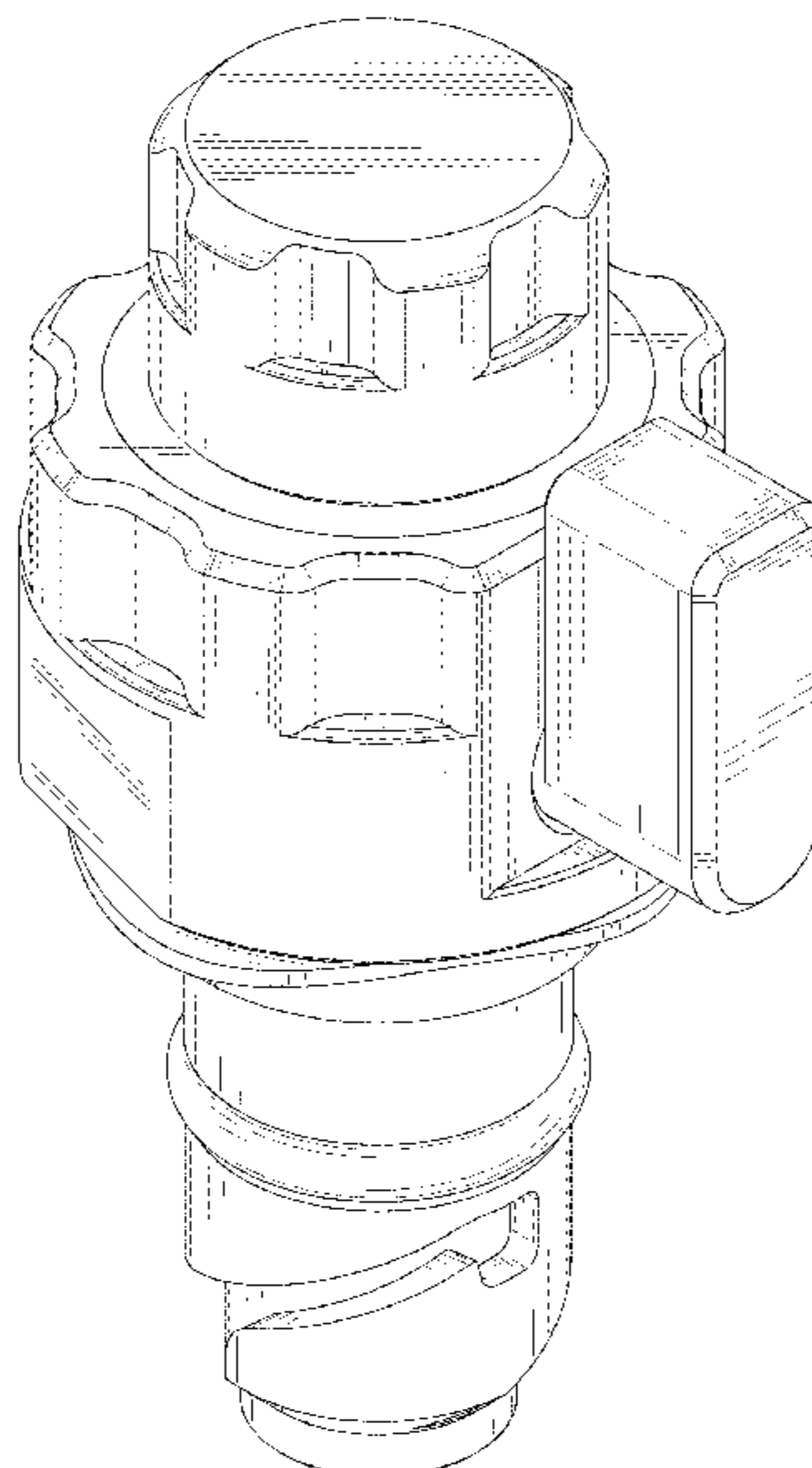
(57) **CLAIM**

The ornamental design for an oil drain plug, as shown and described.

DESCRIPTION

FIG. 1 is a front and top perspective view of an oil drain plug, showing our new design;
FIG. 2 is a rear and bottom perspective view thereof;
FIG. 3 is a front elevation view thereof;
FIG. 4 is a rear elevation view thereof;
FIG. 5 is a left side elevation view thereof;
FIG. 6 is a right side elevation view thereof;
FIG. 7 is a top plan view thereof; and,
FIG. 8 is a bottom plan view thereof.
The broken lines in the figures illustrate portions of the oil drain plug that form no part of the claimed design.

1 Claim, 8 Drawing Sheets



(56)

References Cited

U.S. PATENT DOCUMENTS

2009/0071568 A1* 3/2009 Meddock F01M 11/0408
141/98
2011/0011865 A1* 1/2011 Cook F01M 11/0004
220/288
2016/0084386 A1* 3/2016 Farlow F16K 31/50
251/264
2016/0252191 A1* 9/2016 Dillon F16K 27/067
137/1
2018/0010494 A1* 1/2018 Cohen F01M 11/0408
2018/0045093 A1* 2/2018 De Souza F16B 35/041
2018/0066551 A1* 3/2018 Weber F01M 11/0004
2018/0073625 A1* 3/2018 Miyazono B21D 53/24
2018/0156084 A1* 6/2018 Ito F01M 11/0458
2019/0186313 A1* 6/2019 Lee F01M 11/0408

OTHER PUBLICATIONS

EZ Oil Drain, EZ-104 EZ Oil Drain Valve, (first available Jan. 13, 2014), Amazon.com, URL:<<https://www.amazon.com/EZ-EZ-104-Oil-Drain-Valve/dp/B00HTV2EMA>> (Year: 2014).*

Ronin Factory, Easy Oil Drain for 2015+ Ford F150, Ford Raptor & Ford Mustang, (first available Sep. 6, 2018), Amazon.com, URL:<<https://www.amazon.com/RONIN-FACTORY-Drain-Raptor-Trucks/dp/B07H56TP4F>> (Year: 2018).*

Fumoto, Fumoto Announces 13 Million Oil Drain Valves Sold, (published Jul. 30, 2019), Business Wire Website, URL:<<https://www.businesswire.com/news/home/20190730005061/en/Fumoto-Announces-13-Million-Oil-Drain-Valves-Sold>> (Year: 2019).*

* cited by examiner

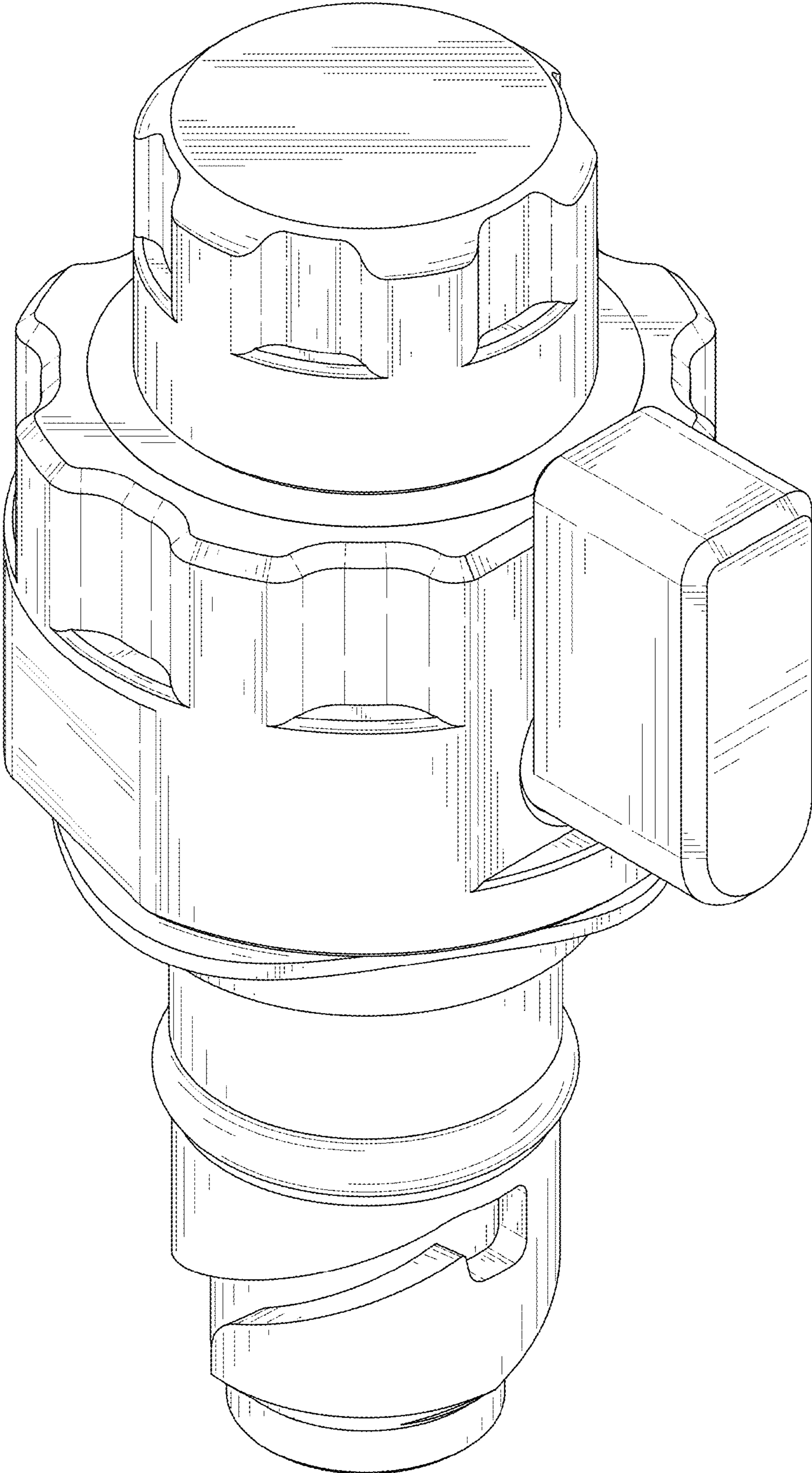


FIG. 1

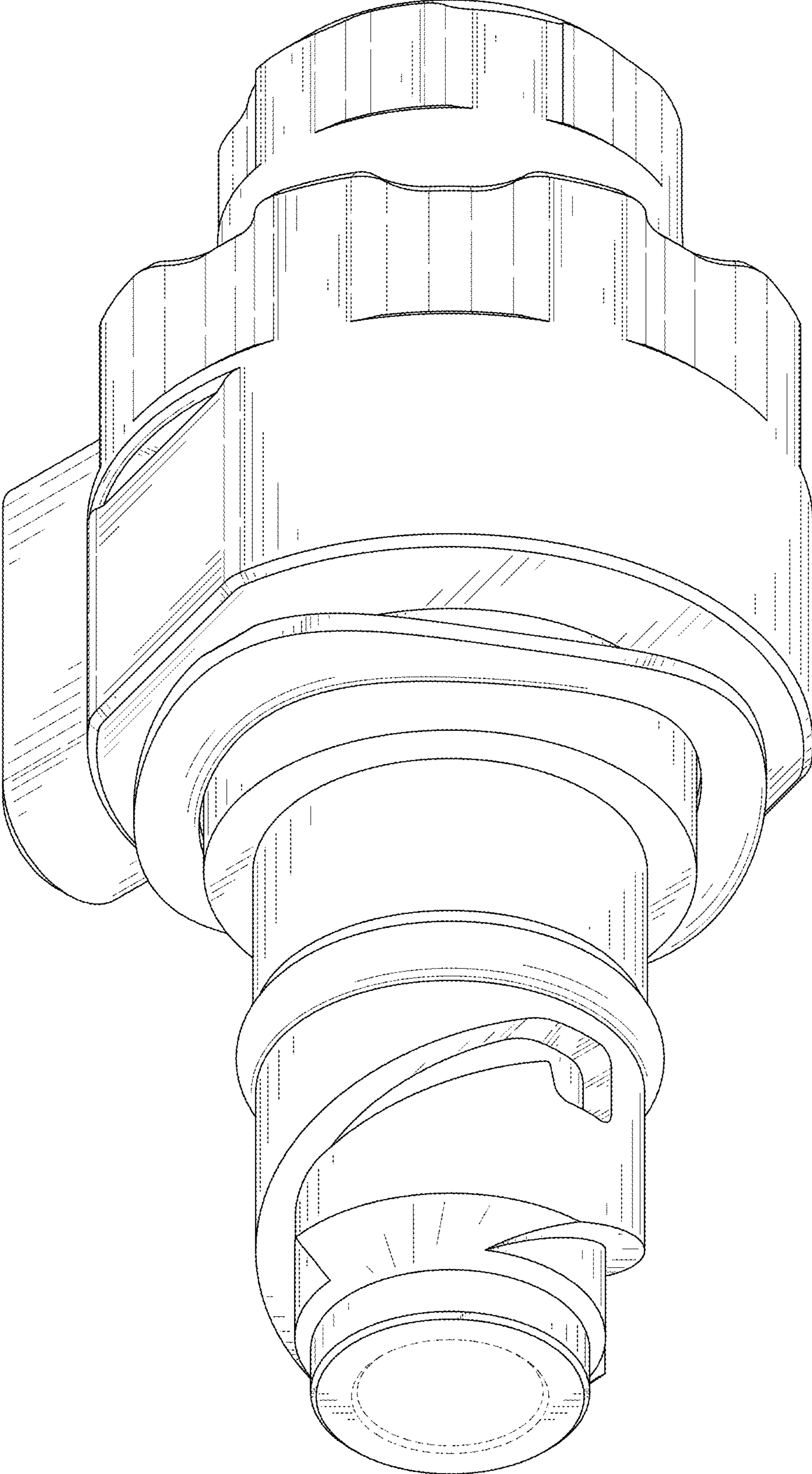


FIG. 2

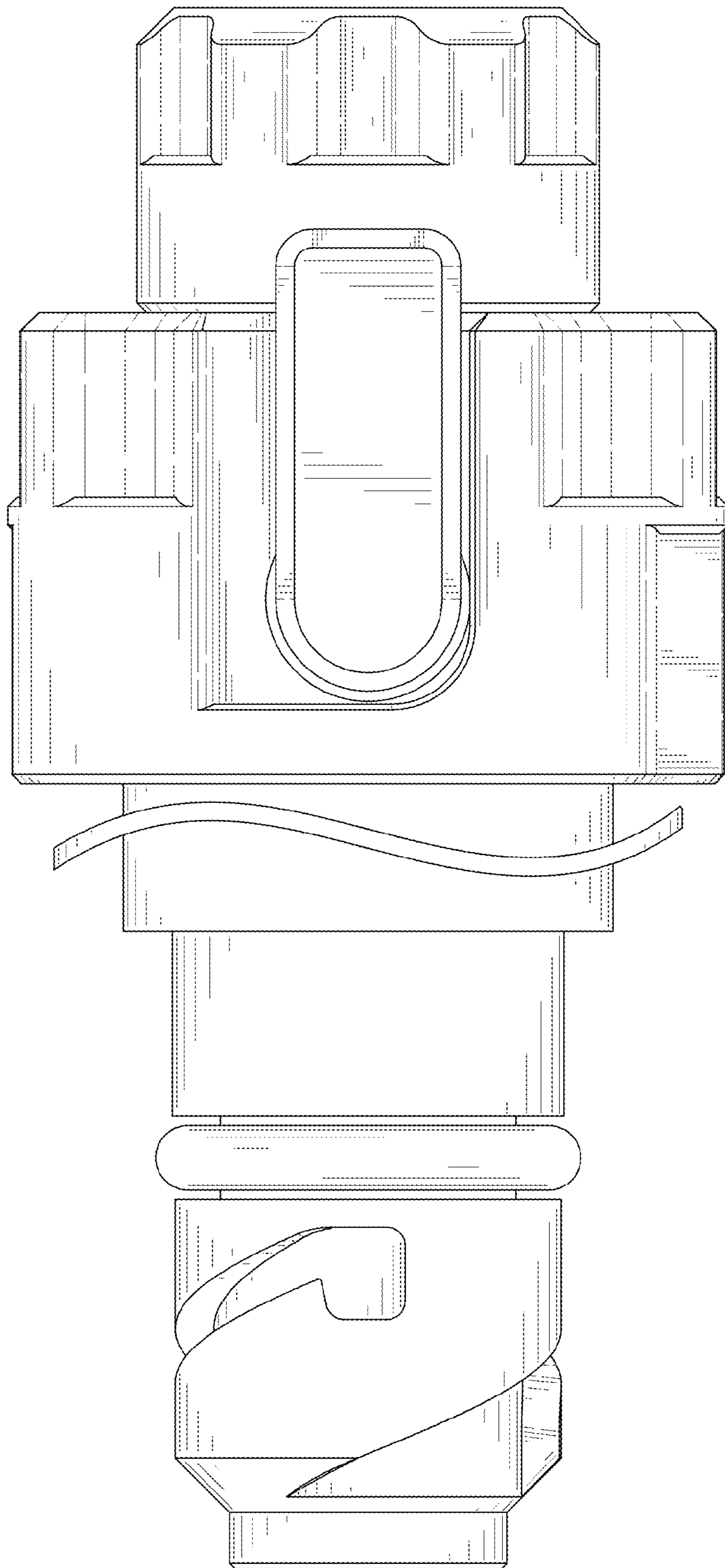


FIG. 3

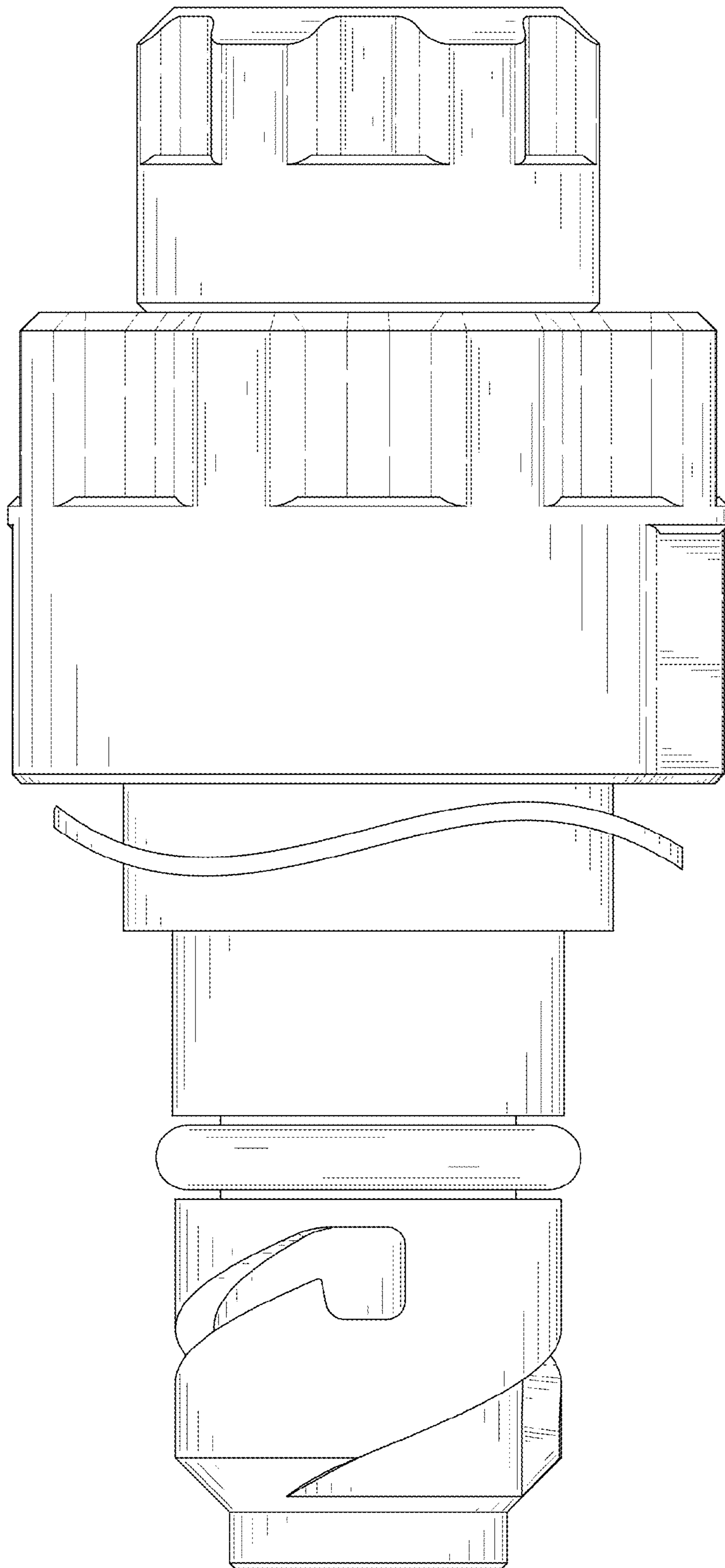


FIG. 4

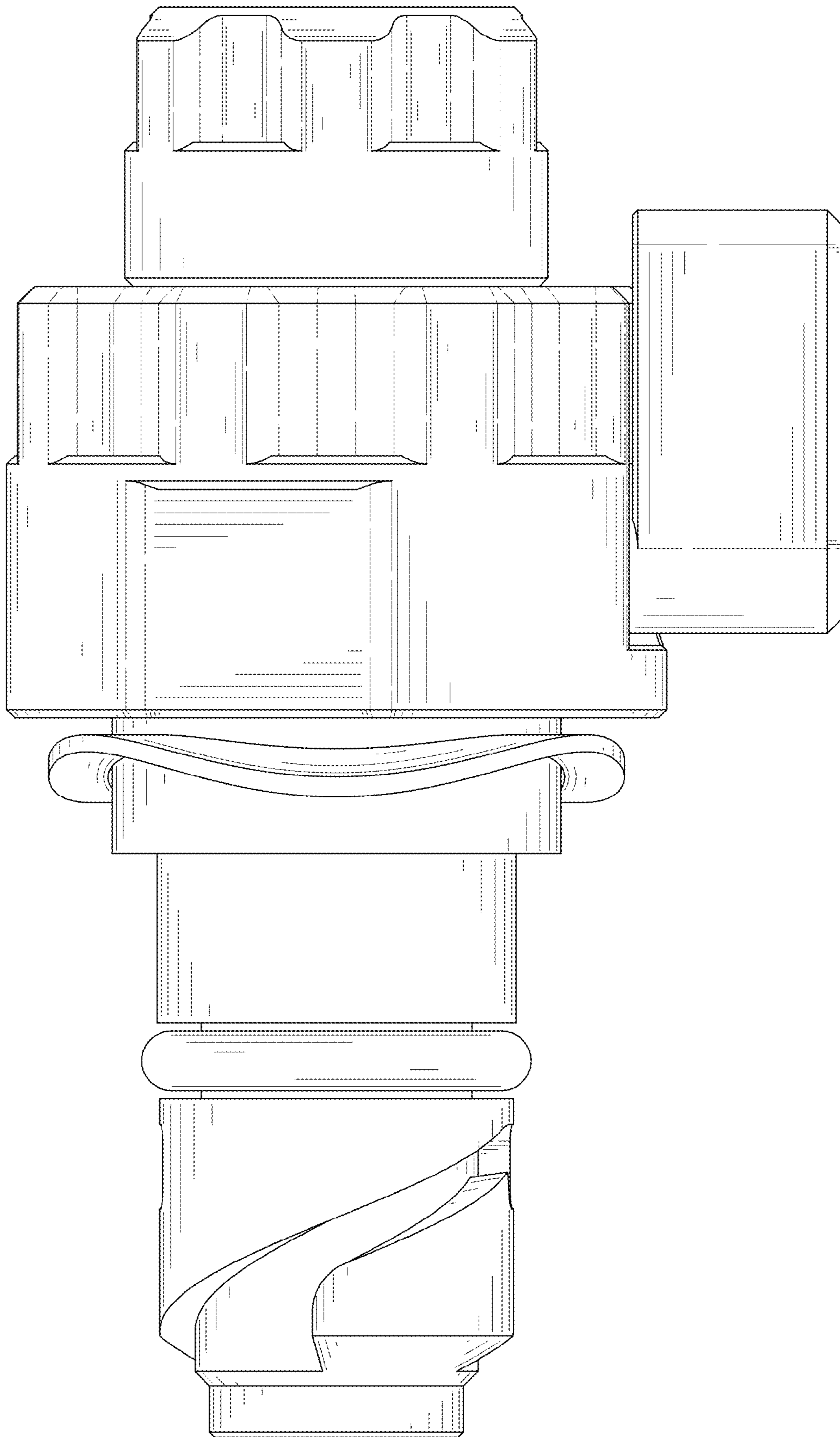


FIG. 5

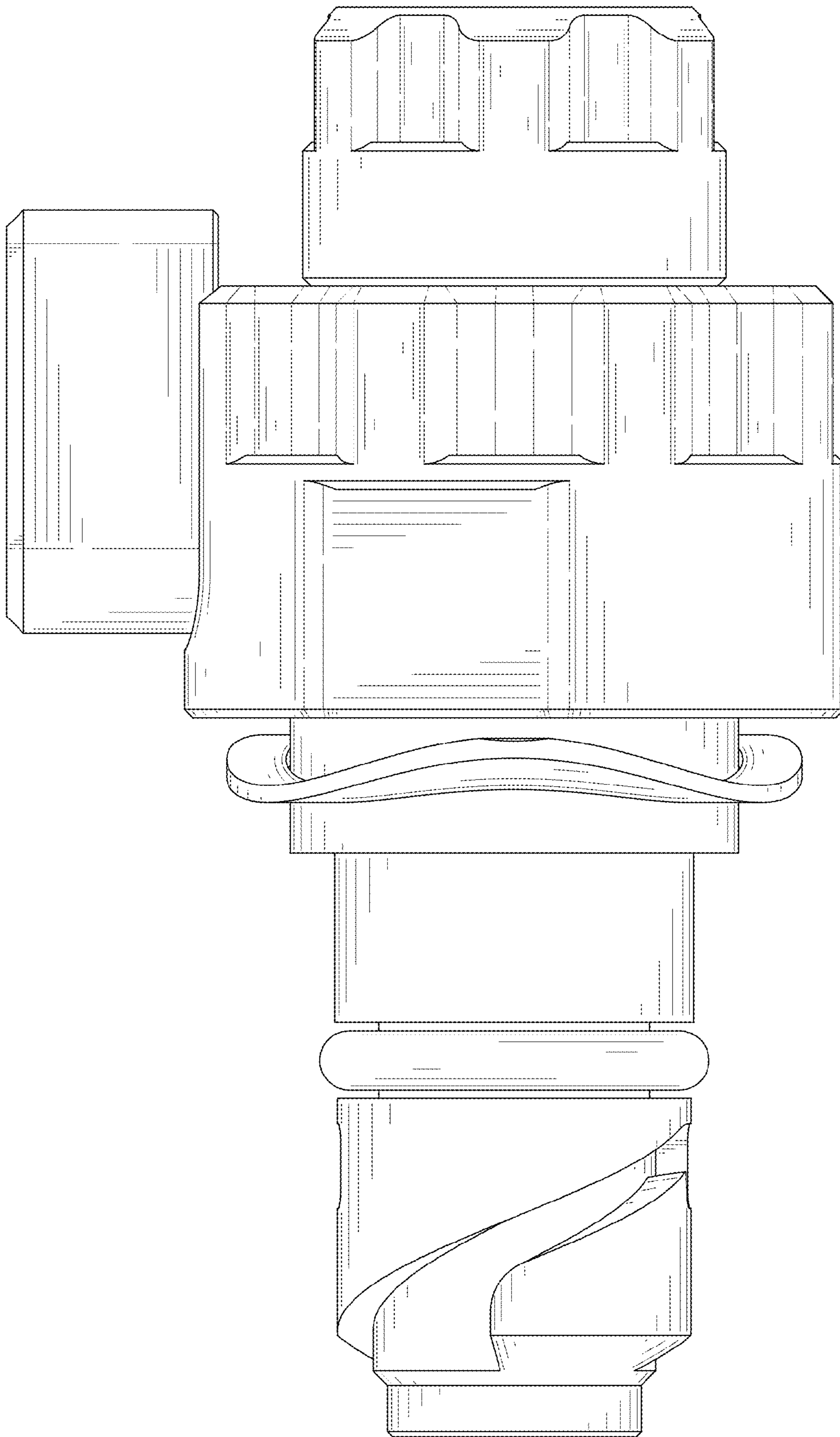


FIG. 6

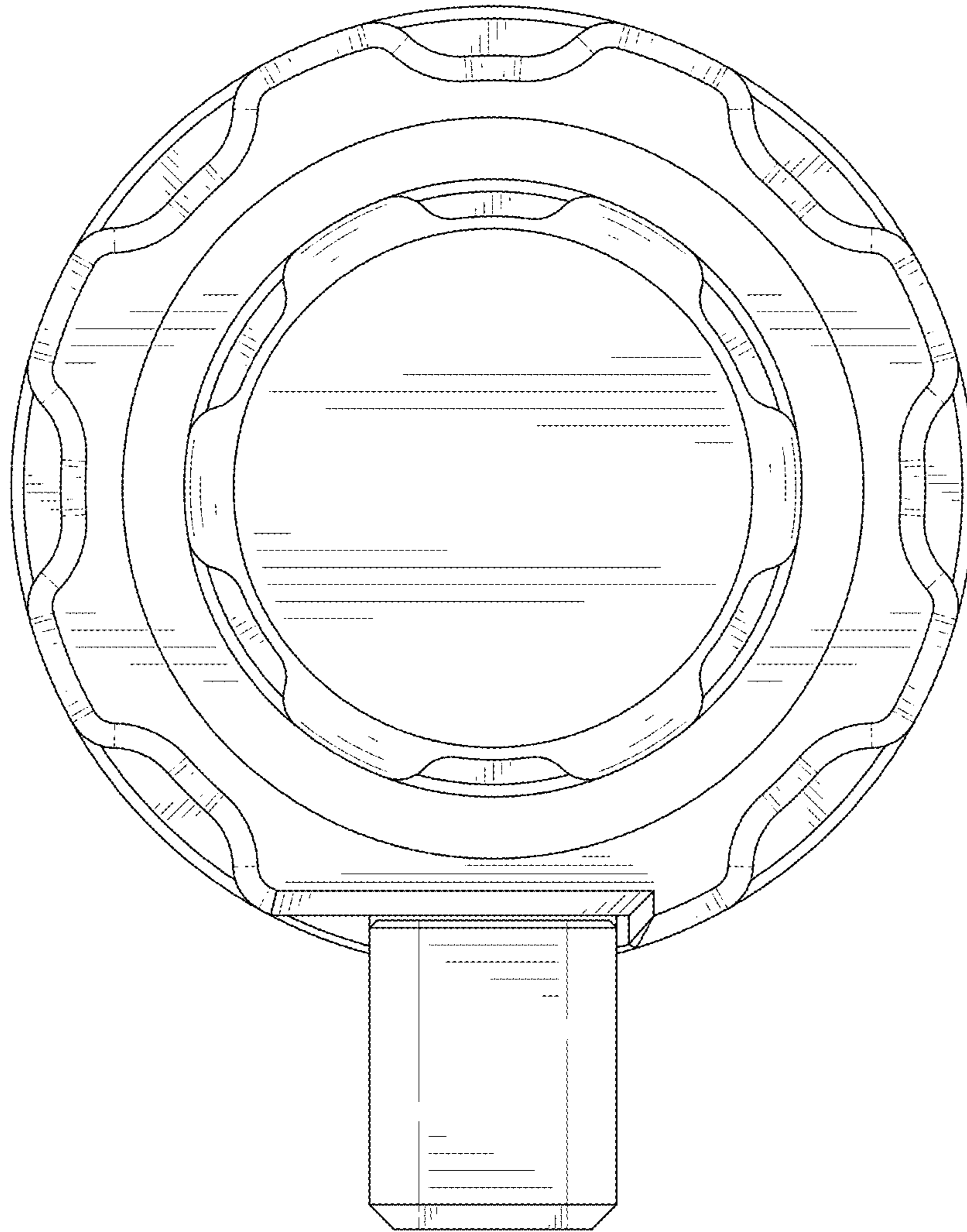


FIG. 7

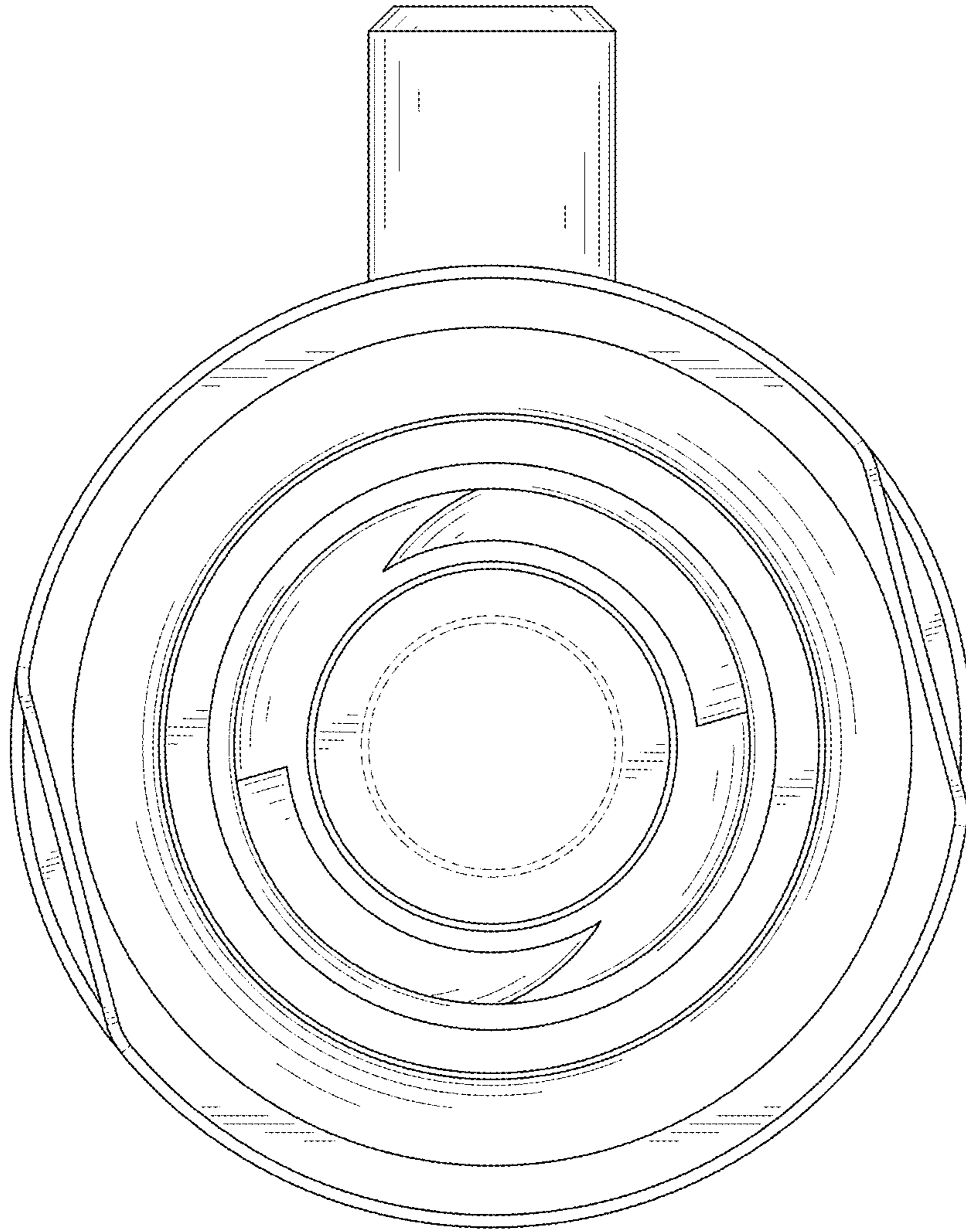


FIG. 8