



US00D975743S

(12) **United States Design Patent**
Goos et al.

(10) **Patent No.:** **US D975,743 S**

(45) **Date of Patent:** **** Jan. 17, 2023**

- (54) **ELECTRIC MOTOR ADAPTER**
- (71) Applicant: **SEW-EURODRIVE GmbH & Co KG**, Bruchsal (DE)
- (72) Inventors: **Jürgen Goos**, Speyer (DE); **Julian Kratz**, Kraichtal (DE); **Philipp Merkel**, Karlsbad (DE); **Bettina Baacke**, Karlsruhe (DE)
- (73) Assignee: **SWE-EURODRIVE GmbH & Co KG**, Bruchsal (DE)
- (**) Term: **15 Years**
- (21) Appl. No.: **29/761,461**
- (22) Filed: **Dec. 9, 2020**
- (30) **Foreign Application Priority Data**

- Jun. 10, 2020 (EP) 007993738
- (51) **LOC (14) Cl.** **15-01**
- (52) **U.S. Cl.**
USPC **D15/5**
- (58) **Field of Classification Search**
USPC D15/1, 2, 3, 4, 5, 6, 148, 149; D13/112, D13/113, 114, 118
See application file for complete search history.

- (56) **References Cited**
U.S. PATENT DOCUMENTS
- D220,881 S * 6/1971 Dochterman D13/114
- 4,431,073 A * 2/1984 Nagao F16H 63/3023
475/83
- D479,543 S * 9/2003 Lannoch D15/148
- D703,253 S * 4/2014 Lannoch D15/148
- D704,756 S * 5/2014 Voelker D15/148
- 8,733,196 B2 * 5/2014 Goppelsroder F16H 57/021
74/606 R

- D797,173 S * 9/2017 Ebner D15/148
- D800,198 S * 10/2017 Branning D15/149
- D802,640 S * 11/2017 Hannet D15/149
- D809,039 S * 1/2018 Ebner D15/148
- D833,495 S * 11/2018 Nakamura D15/149
- D869,531 S * 12/2019 Ascher D15/150
- D909,301 S * 2/2021 Povolo D13/112
- D915,279 S * 4/2021 Nanbu D13/112
- 10,992,381 B2 * 4/2021 Hua H04B 10/1141
- D937,332 S * 11/2021 Kimura D15/149
- 2007/0193408 A1 * 8/2007 Martinez A01D 34/30
74/609
- 2010/0326226 A1 * 12/2010 Walston B60K 17/08
74/606 R
- 2021/0194316 A1 * 6/2021 Sprague H02K 21/16
- 2021/0399607 A1 * 12/2021 Beall H02K 11/33

* cited by examiner

Primary Examiner — Ania Aman
(74) *Attorney, Agent, or Firm* — Finnegan, Henderson, Farabow, Garrett & Dunner, LLP

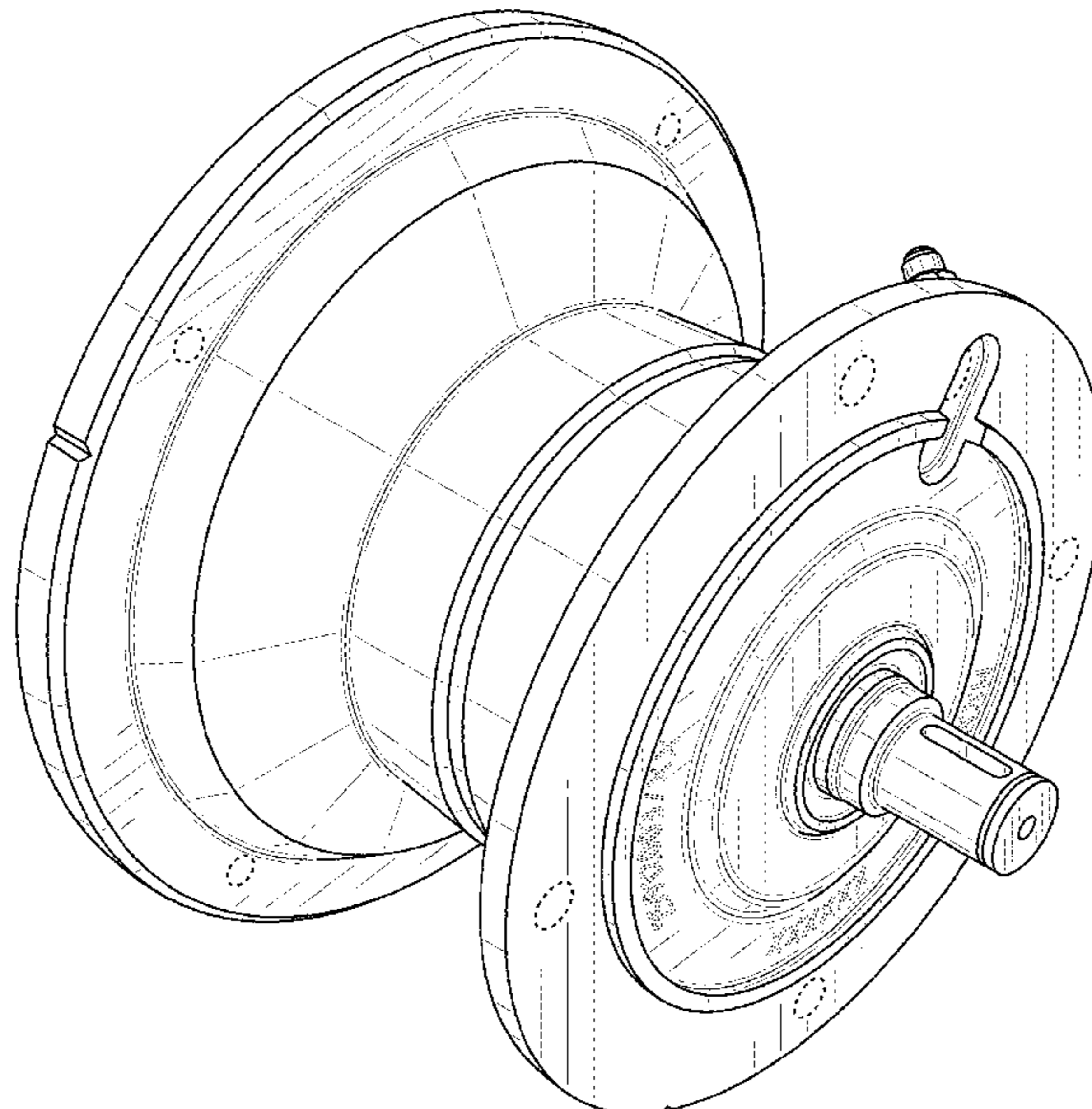
(57) **CLAIM**

The ornamental design for an electric motor adapter, as shown and described.

DESCRIPTION

FIG. 1 is a front, top, left perspective view of an electric motor adapter, showing the new design; FIG. 2 is a front elevation view thereof; FIG. 3 is a rear elevation view thereof; FIG. 4 is a right side view thereof; FIG. 5 is a left side view thereof; FIG. 6 is a top plan view thereof; and, FIG. 7 is a bottom plan view thereof. The broken lines of even length shown in the drawings illustrate portions of the electric motor adapter that form no part of the claimed design.

1 Claim, 7 Drawing Sheets



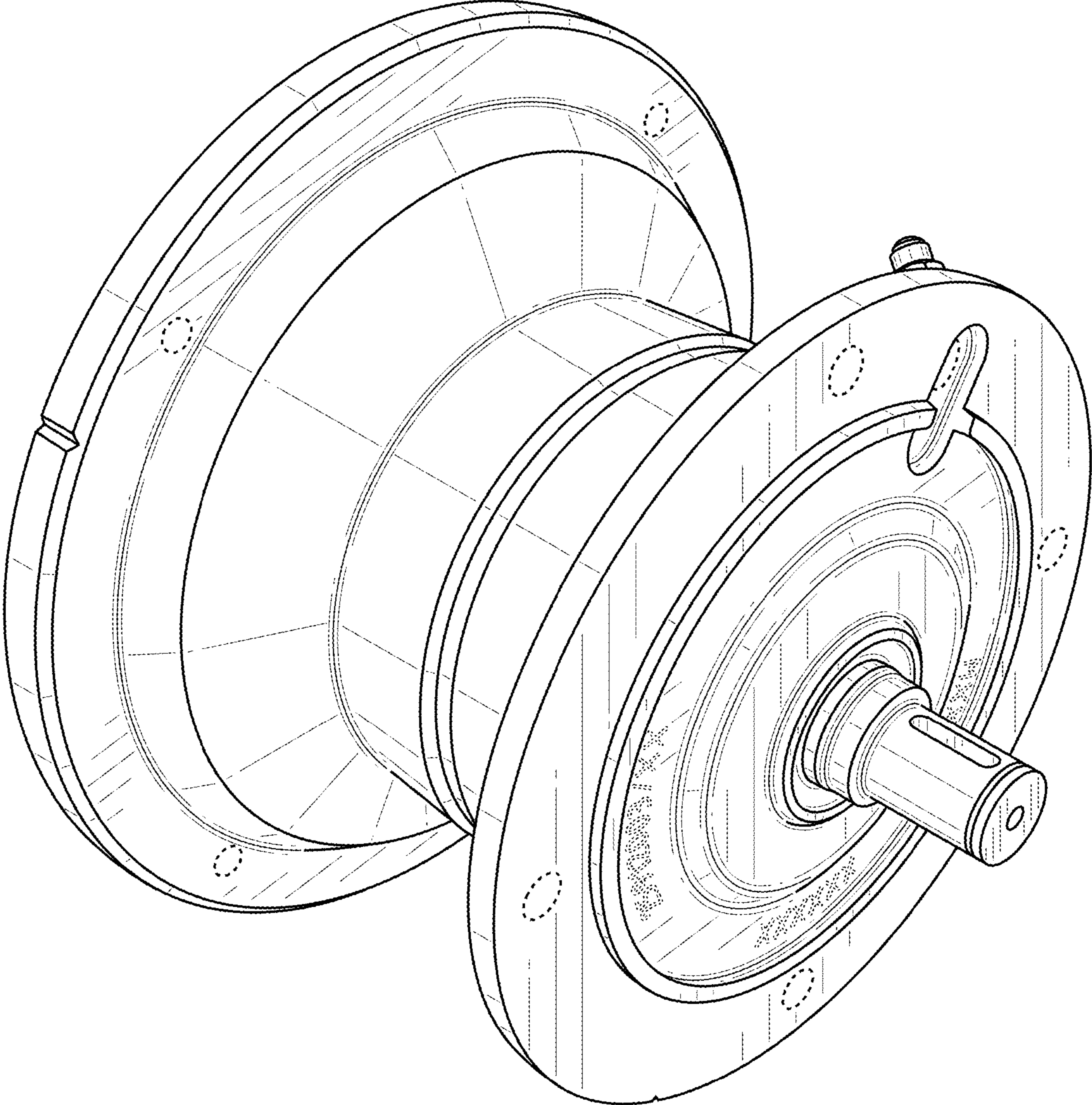


FIG. 1

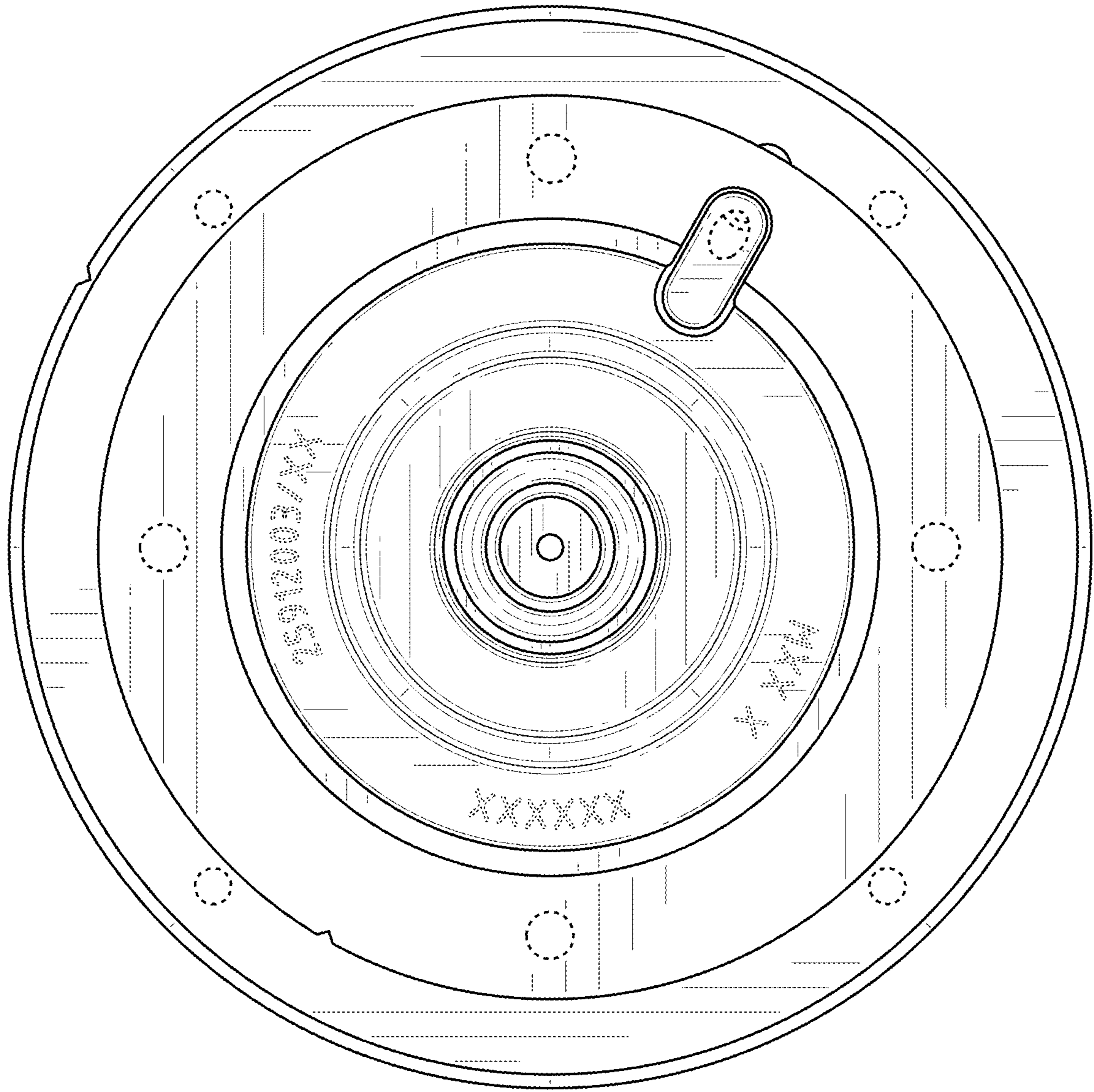


FIG. 2

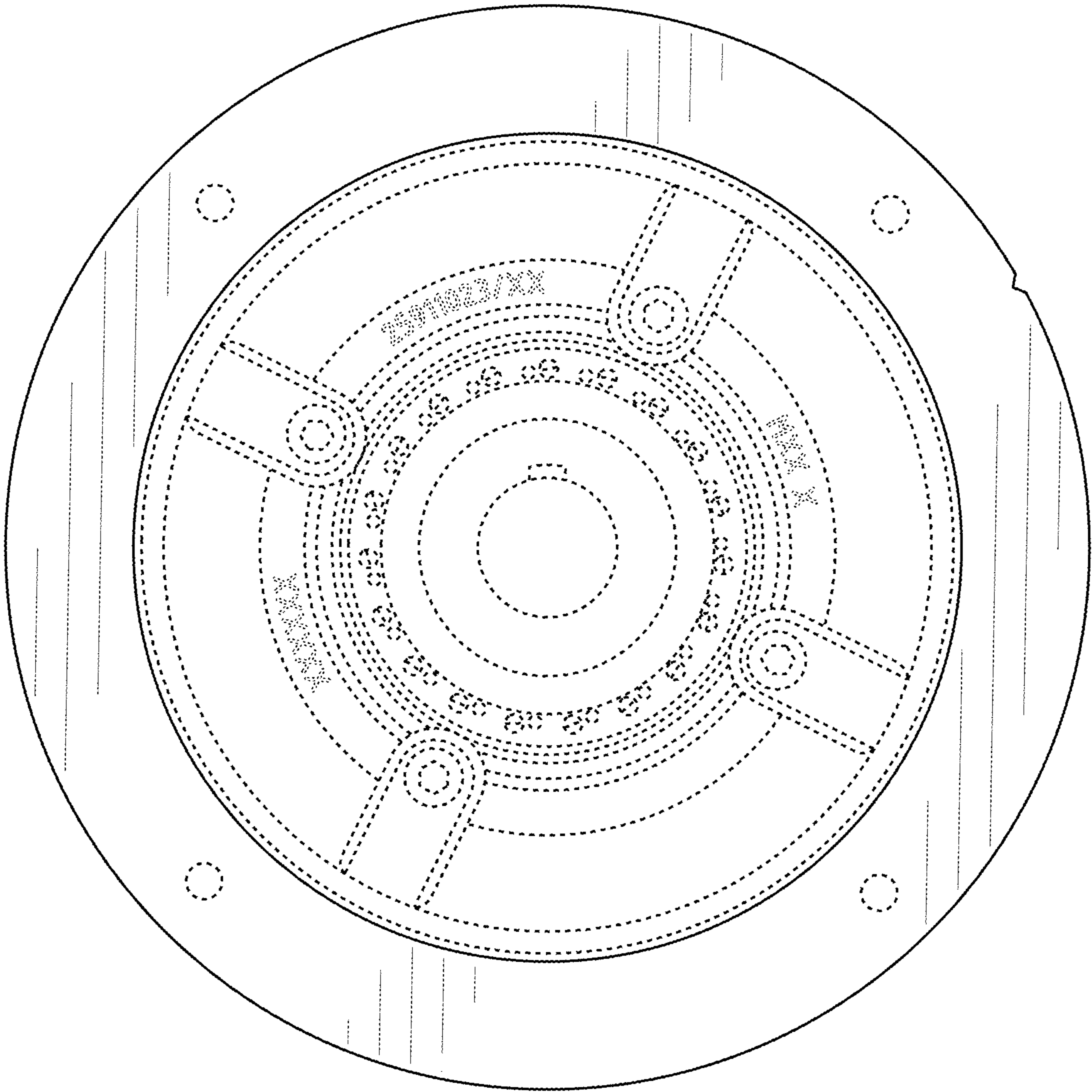


FIG. 3

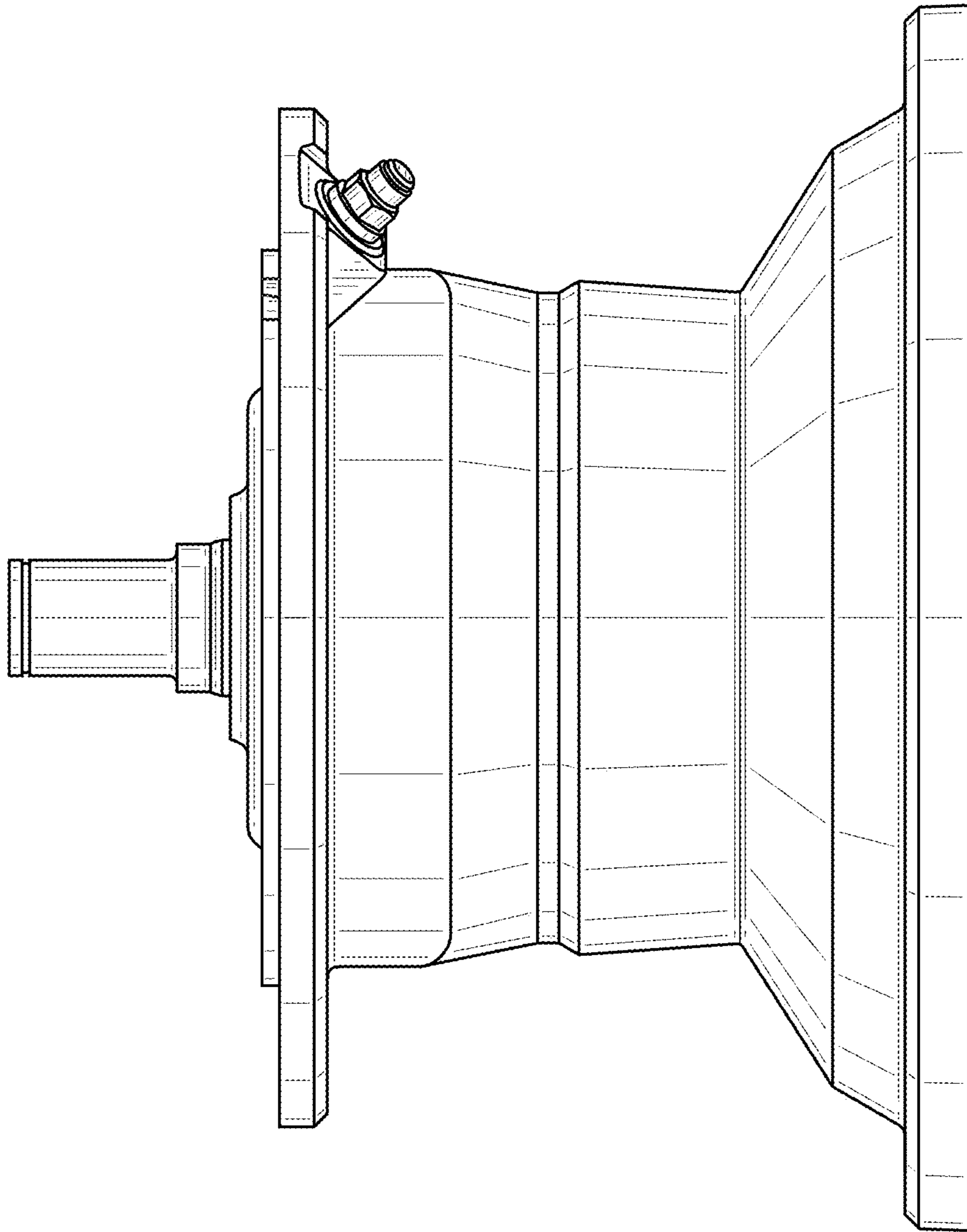


FIG. 4

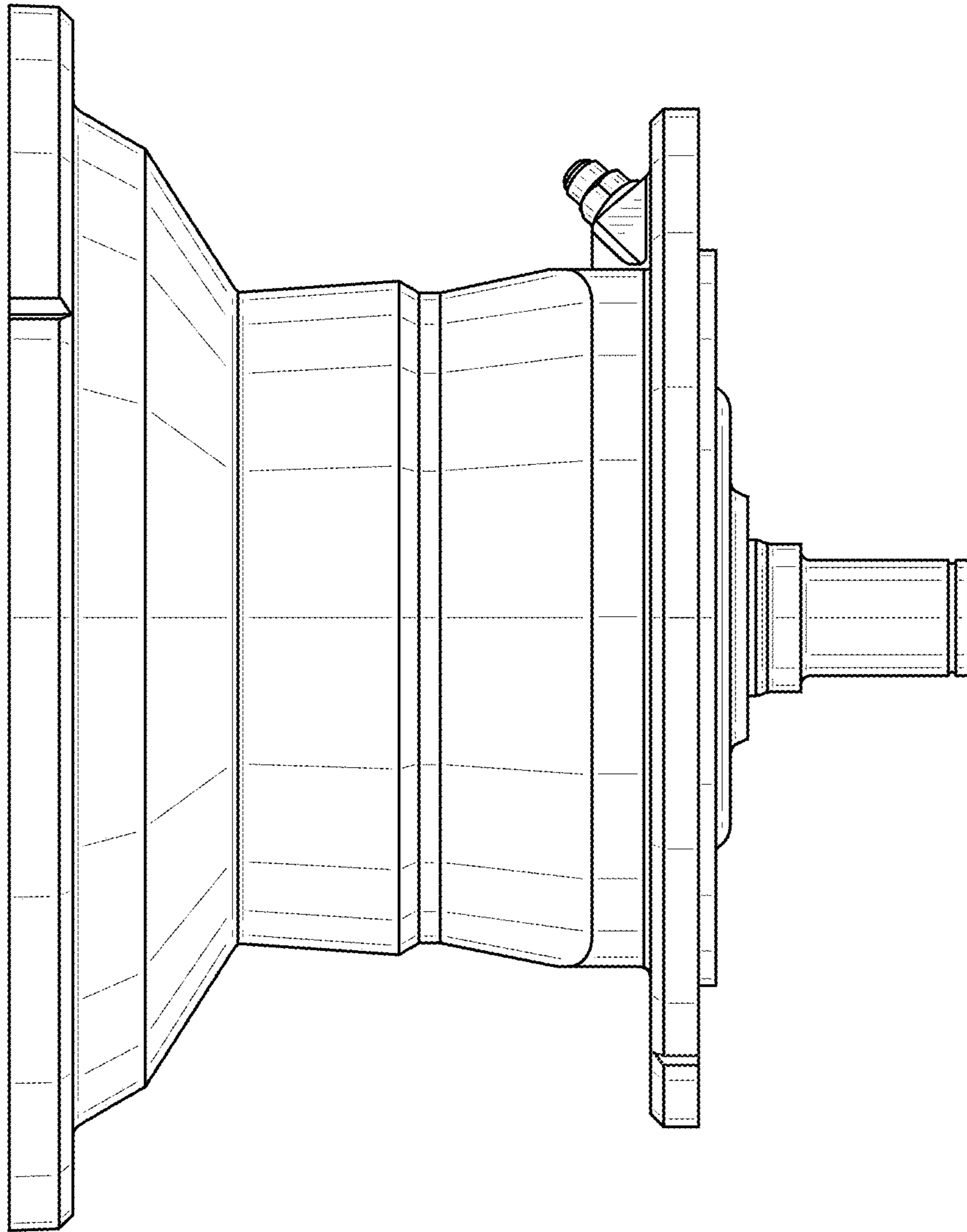


FIG. 5

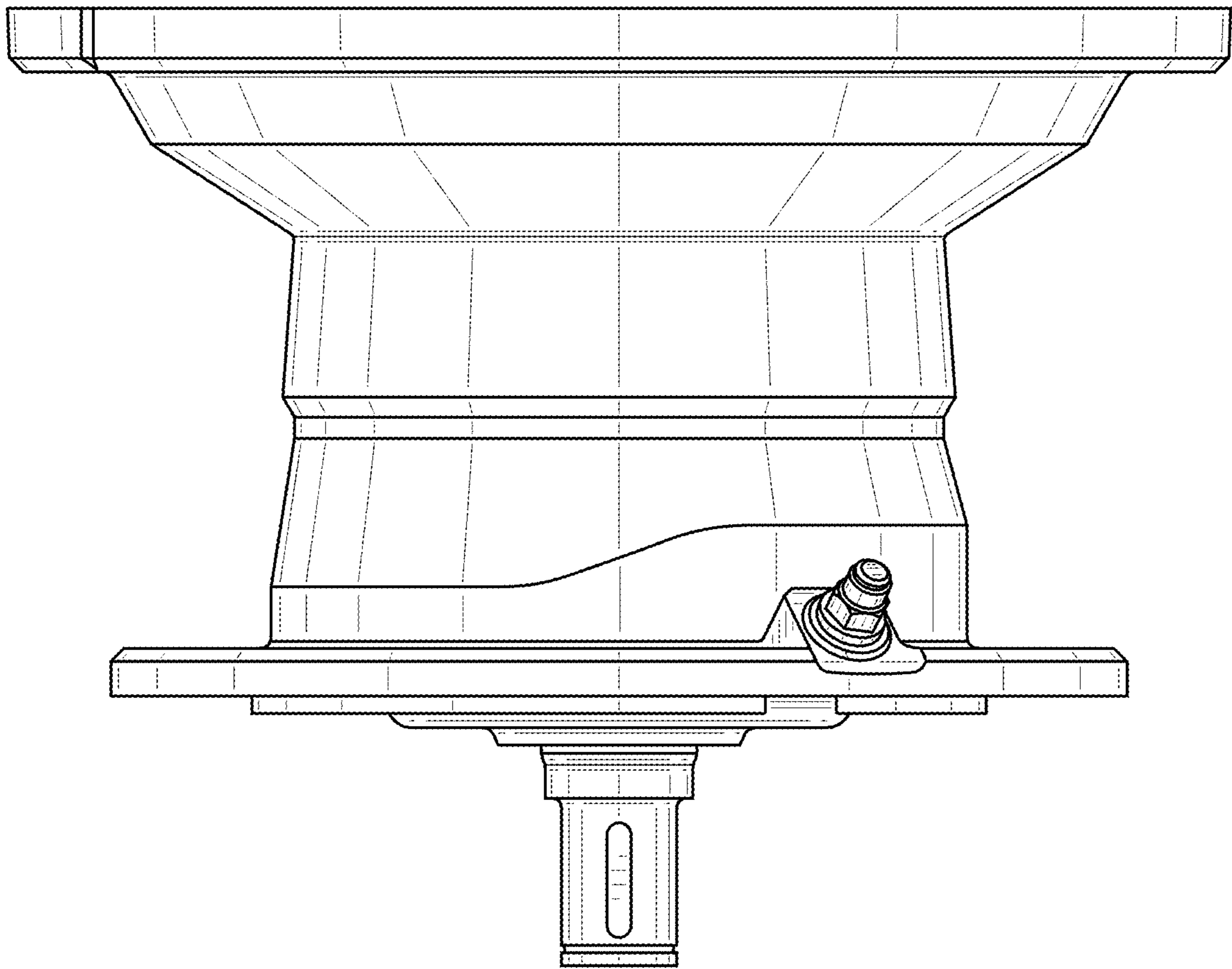


FIG. 6

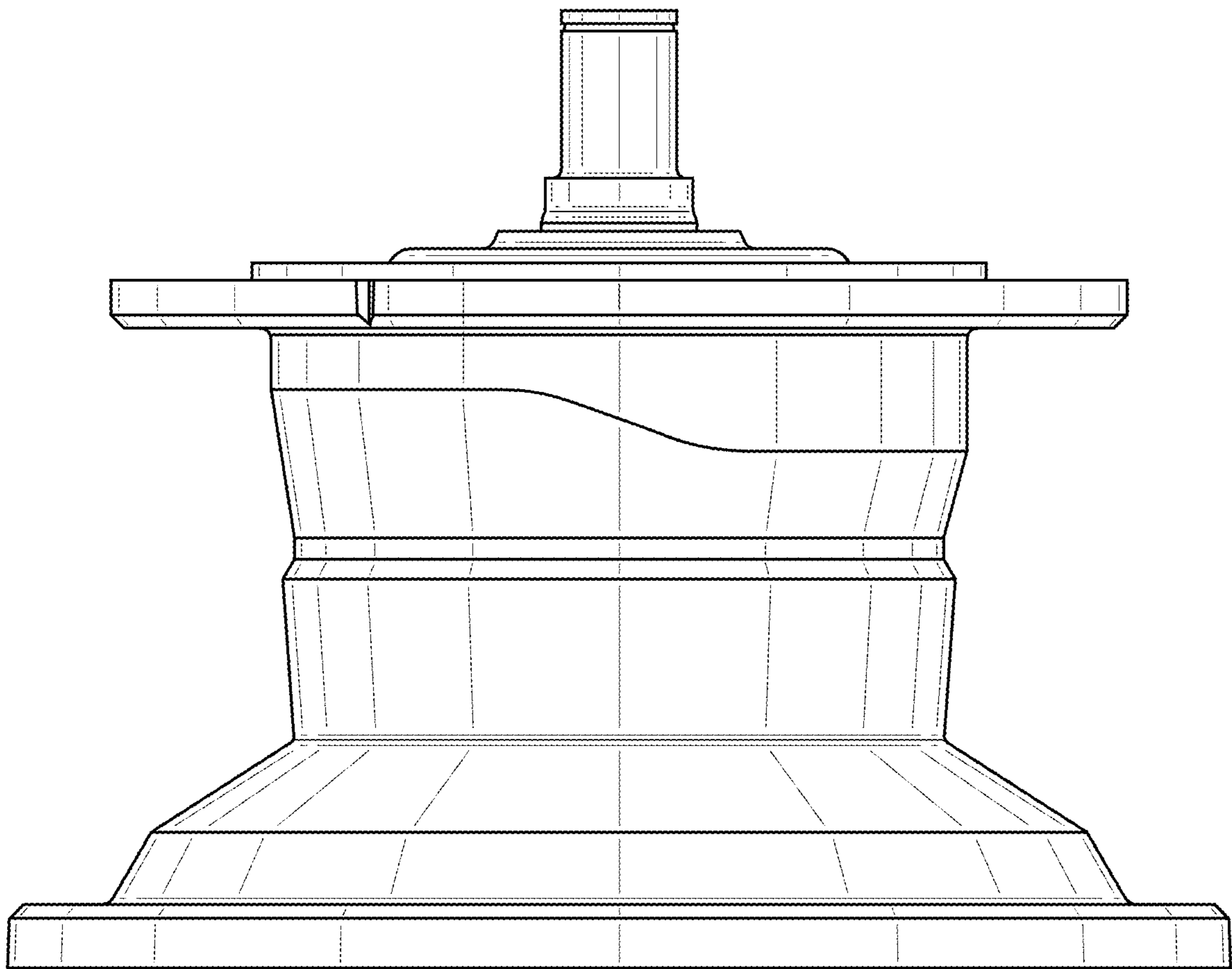


FIG. 7