



US00D975742S

(12) **United States Design Patent**
Tsutsui et al.

(10) **Patent No.:** **US D975,742 S**
(45) **Date of Patent:** **** Jan. 17, 2023**

- (54) **BRACKET FOR OUTBOARD MOTOR**
- (71) Applicant: **Hitachi Astemo, Ltd.**, Ibaraki (JP)
- (72) Inventors: **Hayato Tsutsui**, Shizuoka (JP); **Naoya Taga**, Shizuoka (JP)
- (73) Assignee: **Hitachi Astemo, Ltd.**, Ibaraki (JP)
- (**) Term: **15 Years**
- (21) Appl. No.: **29/761,464**
- (22) Filed: **Dec. 9, 2020**
- (51) **LOC (14) Cl.** **15-01**
- (52) **U.S. Cl.**
USPC **D15/4**
- (58) **Field of Classification Search**
USPC D15/4; D8/349, 354, 353, 380, 381, 382,
D8/355, 363, 371, 373; D12/223
CPC B63H 20/06; B63H 20/08; B63H 20/02
See application file for complete search history.

2005/0260899 A1* 11/2005 Nakamura B63H 20/12
440/53
2013/0252492 A1* 9/2013 Kadobayashi B63H 21/26
440/53
2018/0362131 A1* 12/2018 He B63H 20/12
* cited by examiner

Primary Examiner — Ania Aman
(74) *Attorney, Agent, or Firm* — Rankin, Hill & Clark
LLP

(57) **CLAIM**

The ornamental design for a bracket for outboard motor, as shown and described.

DESCRIPTION

FIG. 1 is a front, right side, bottom perspective view showing our new design;
FIG. 2 is a front, right side, top perspective view thereof;
FIG. 3 is a front, left side, bottom perspective view thereof;
FIG. 4 is a front, left side, top perspective view thereof;
FIG. 5 is a front view thereof;
FIG. 6 is a rear view thereof;
FIG. 7 is a left side view thereof;
FIG. 8 is a right side view thereof;
FIG. 9 is a top plan view thereof;
FIG. 10 is a bottom plan view thereof; and,
FIG. 11 is a perspective view thereof in a state of use.
The broken lines in the Figures are included for the purpose of illustrating unclaimed portions and form no part of the claimed design.

- (56) **References Cited**
U.S. PATENT DOCUMENTS
3,371,893 A * 3/1968 Blanchard, Jr. B63H 20/08
248/642
4,826,459 A * 5/1989 Slattery B63H 20/08
440/63
6,183,321 B1 * 2/2001 Alby B63H 20/08
440/61 R
D520,021 S 5/2006 Nakamura et al.
D520,022 S 5/2006 Nakamura et al.
8,833,725 B1 * 9/2014 Anderson B63H 20/02
248/643
11,180,235 B2 * 11/2021 Wiatrowski B63H 20/02

1 Claim, 11 Drawing Sheets

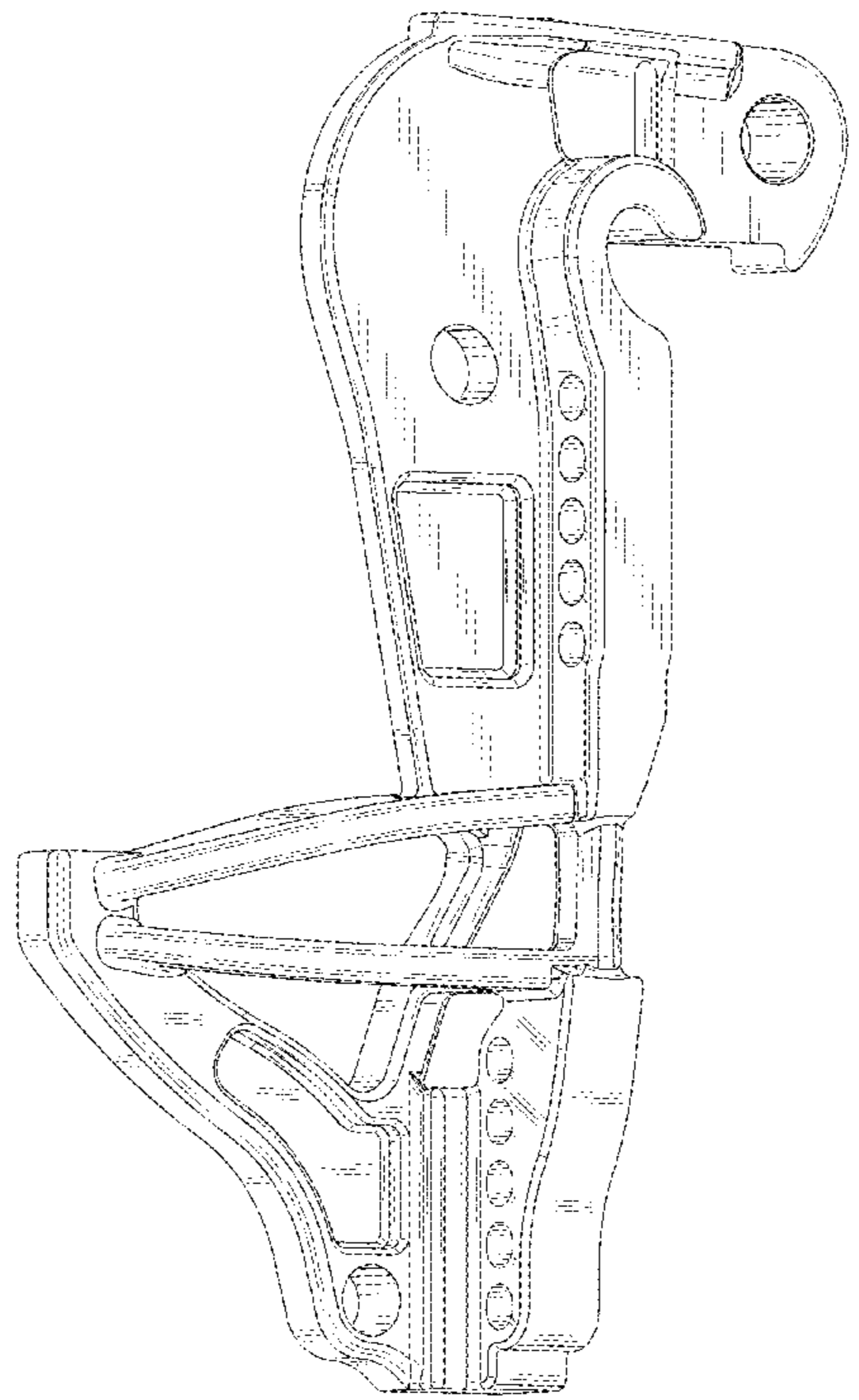


FIG.1

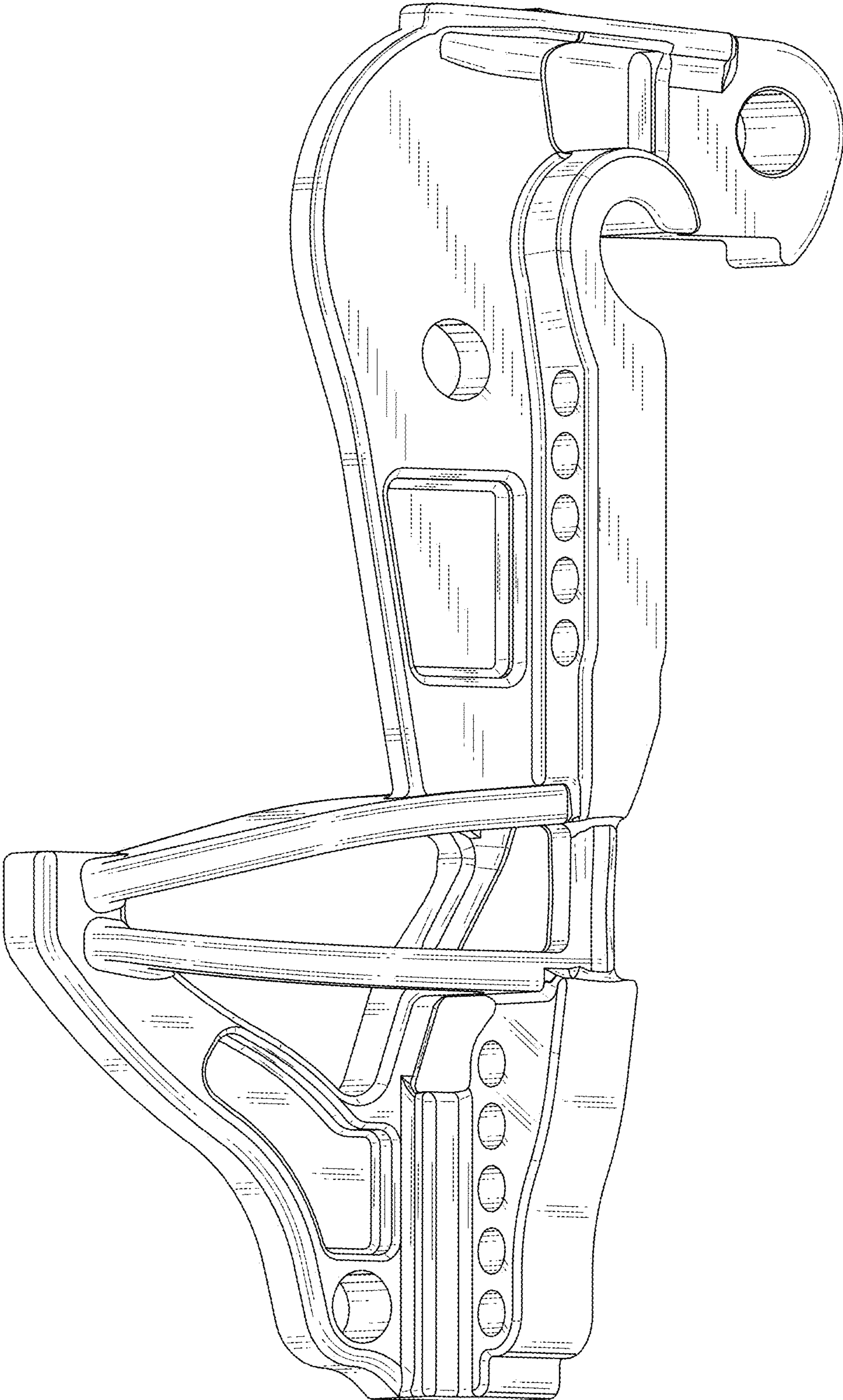


FIG.2

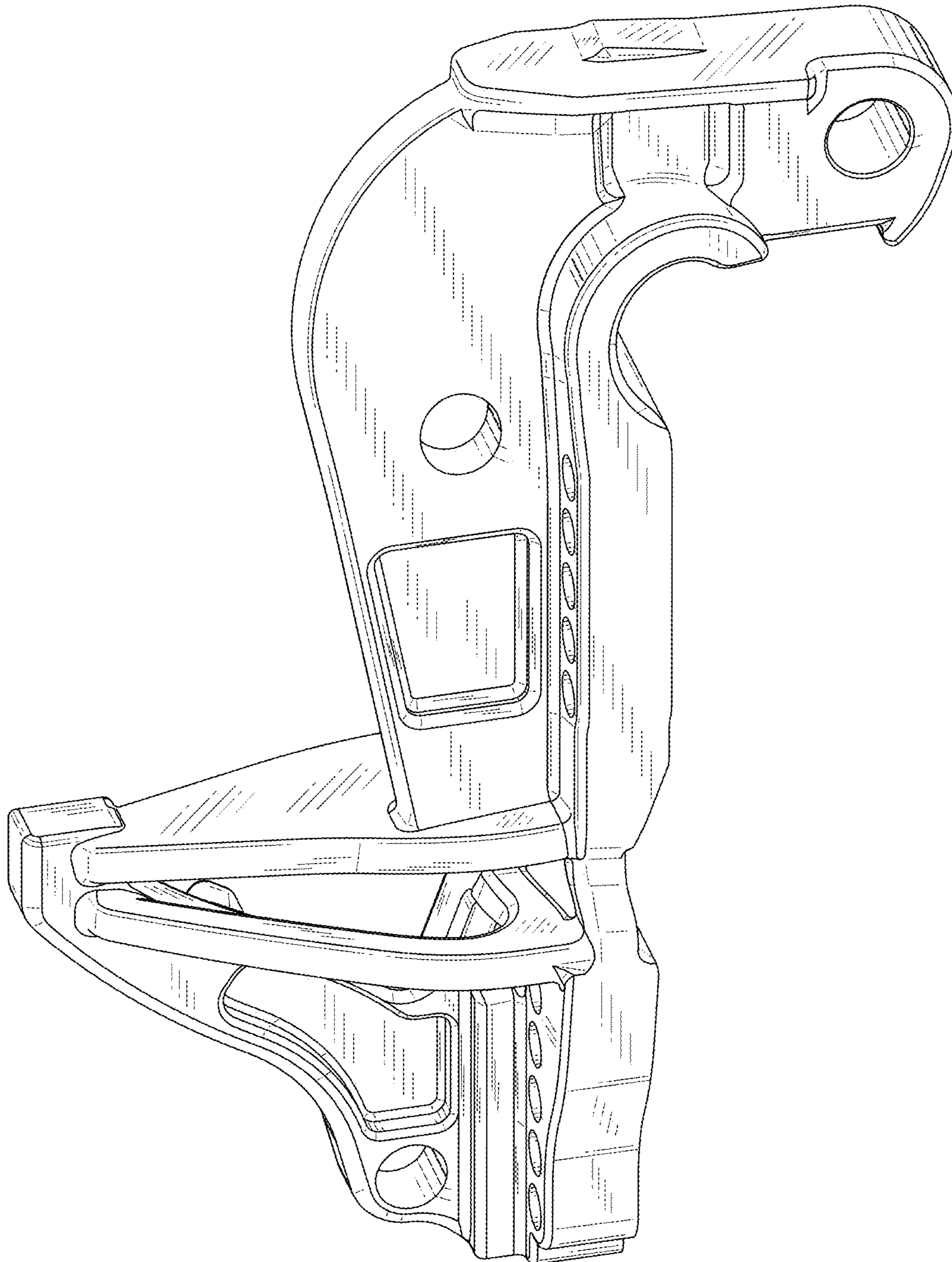


FIG.3

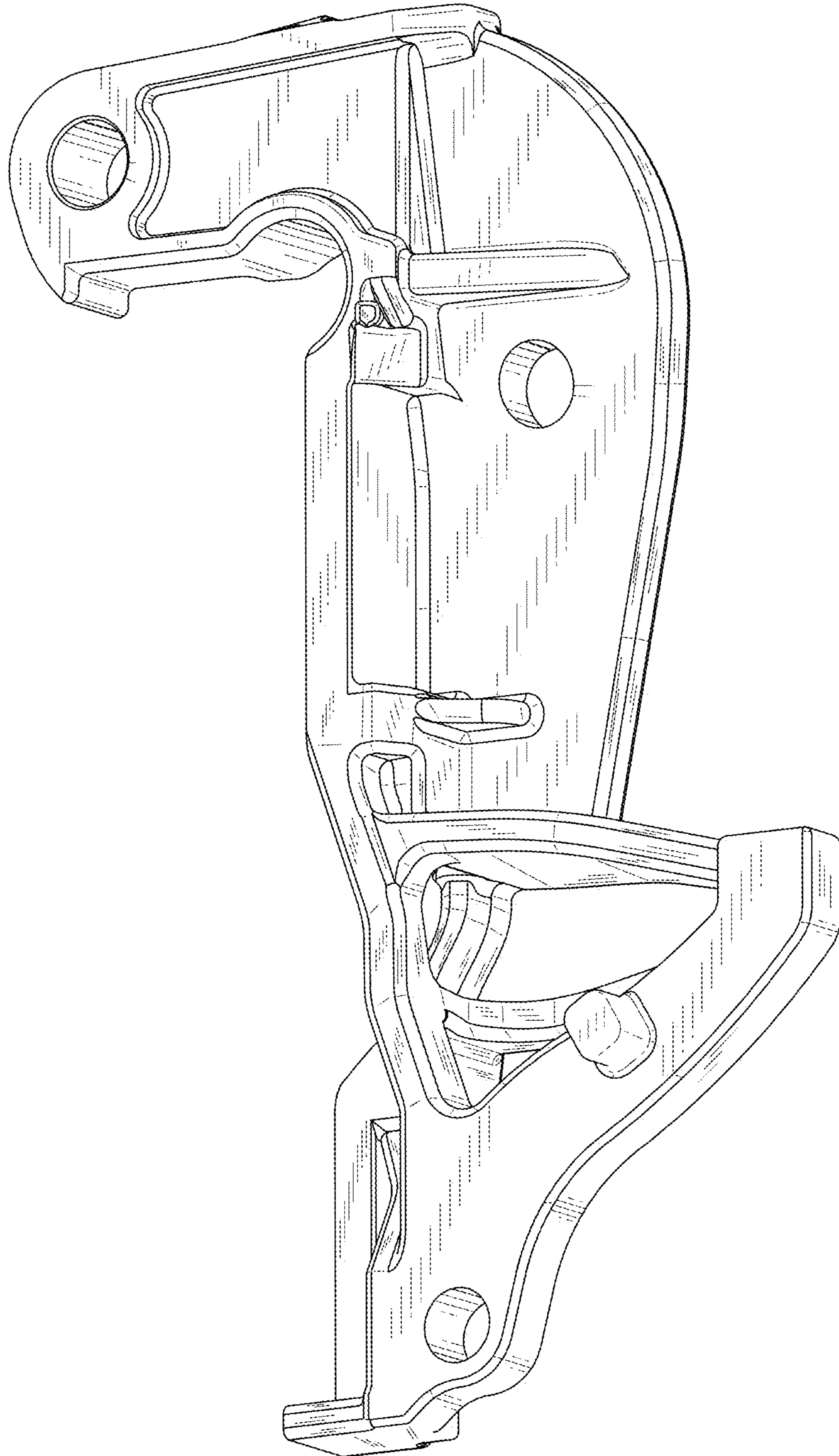


FIG.4

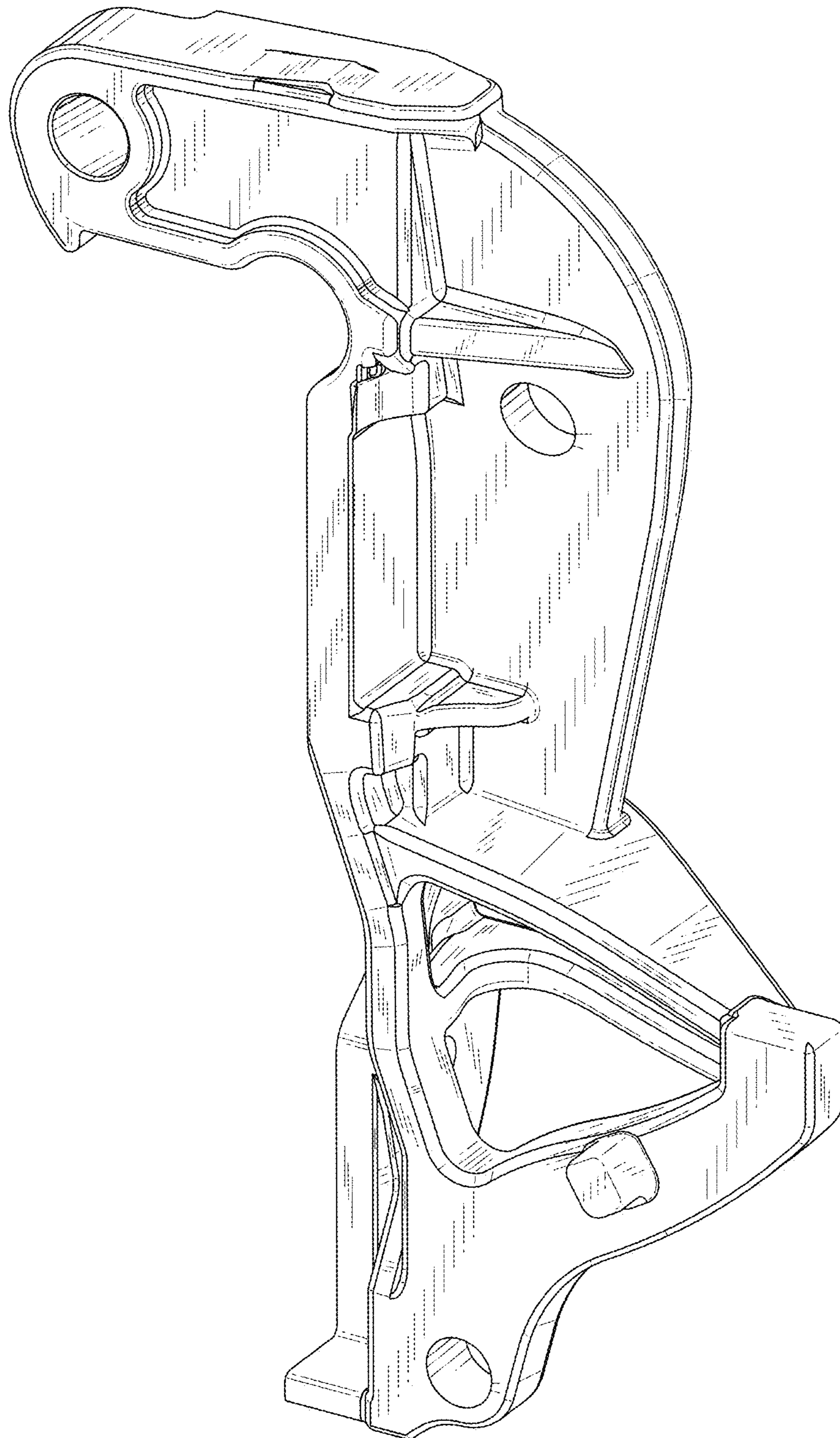


FIG.5

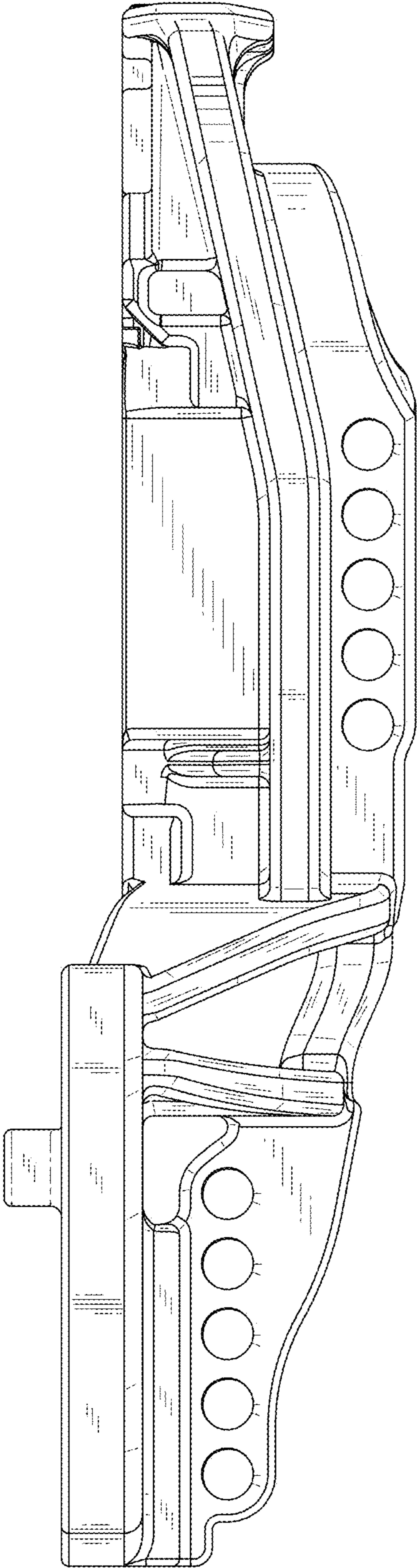


FIG.6

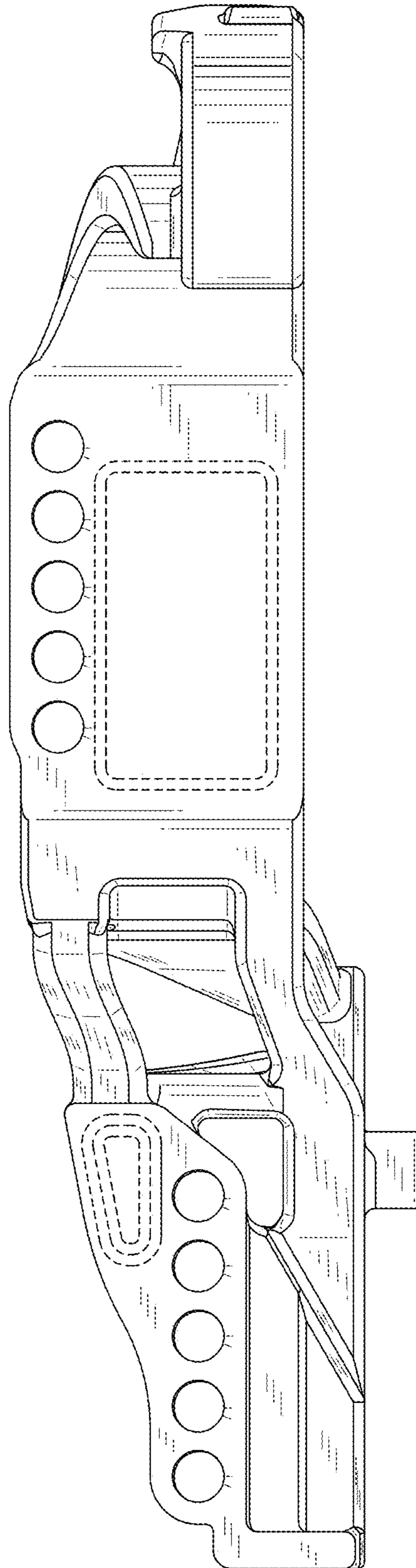


FIG. 7

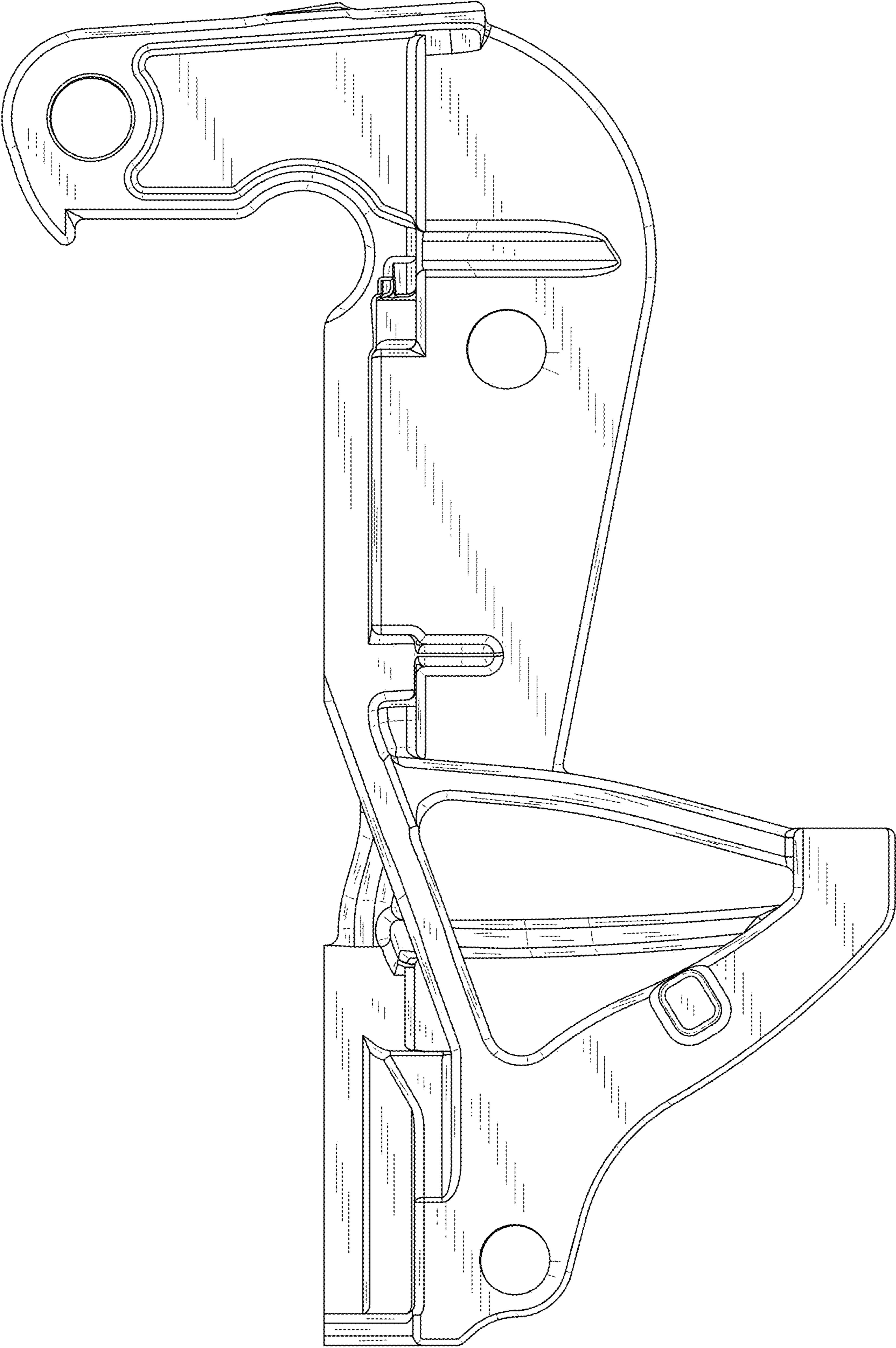


FIG.8

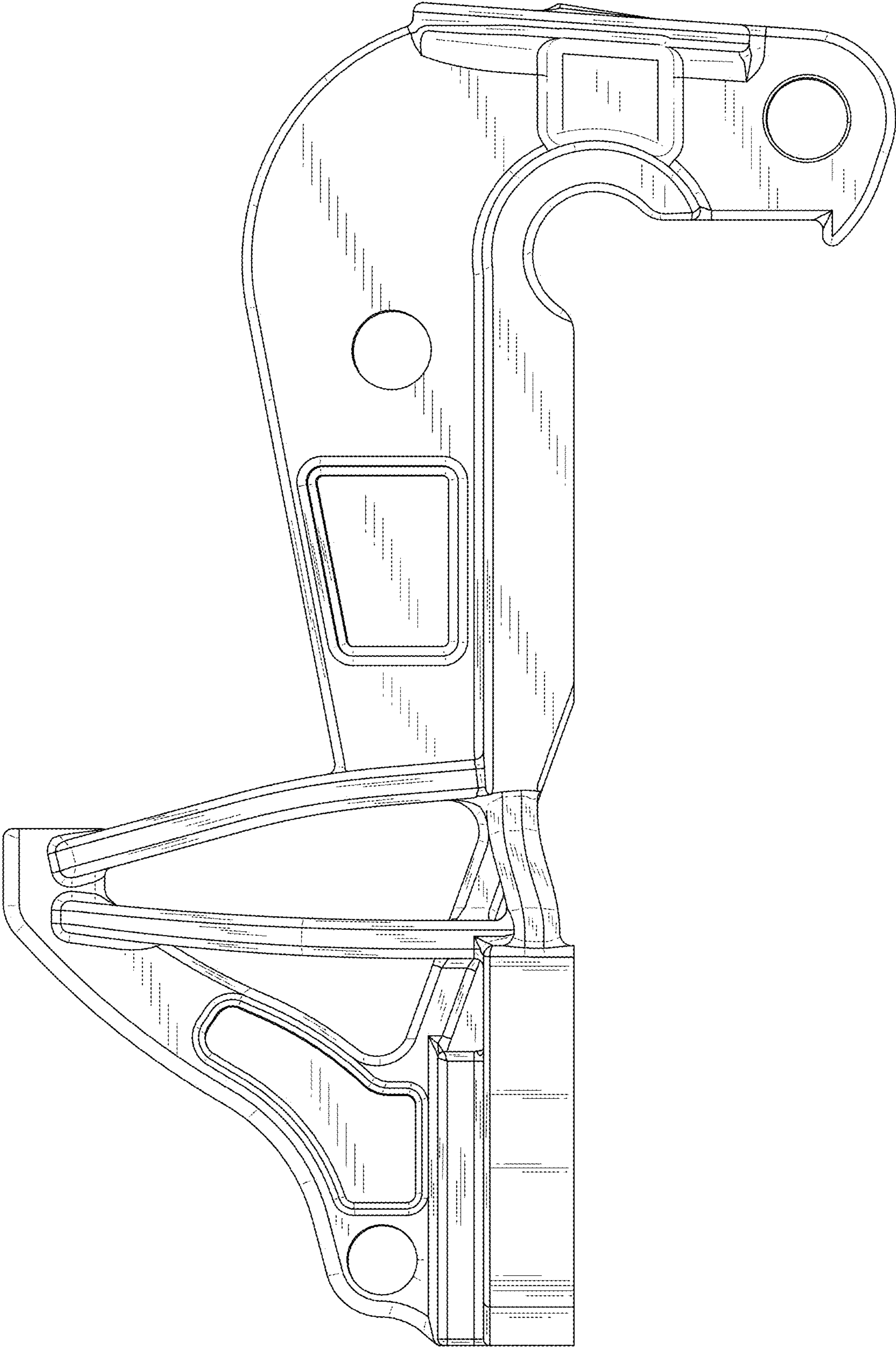


FIG.9

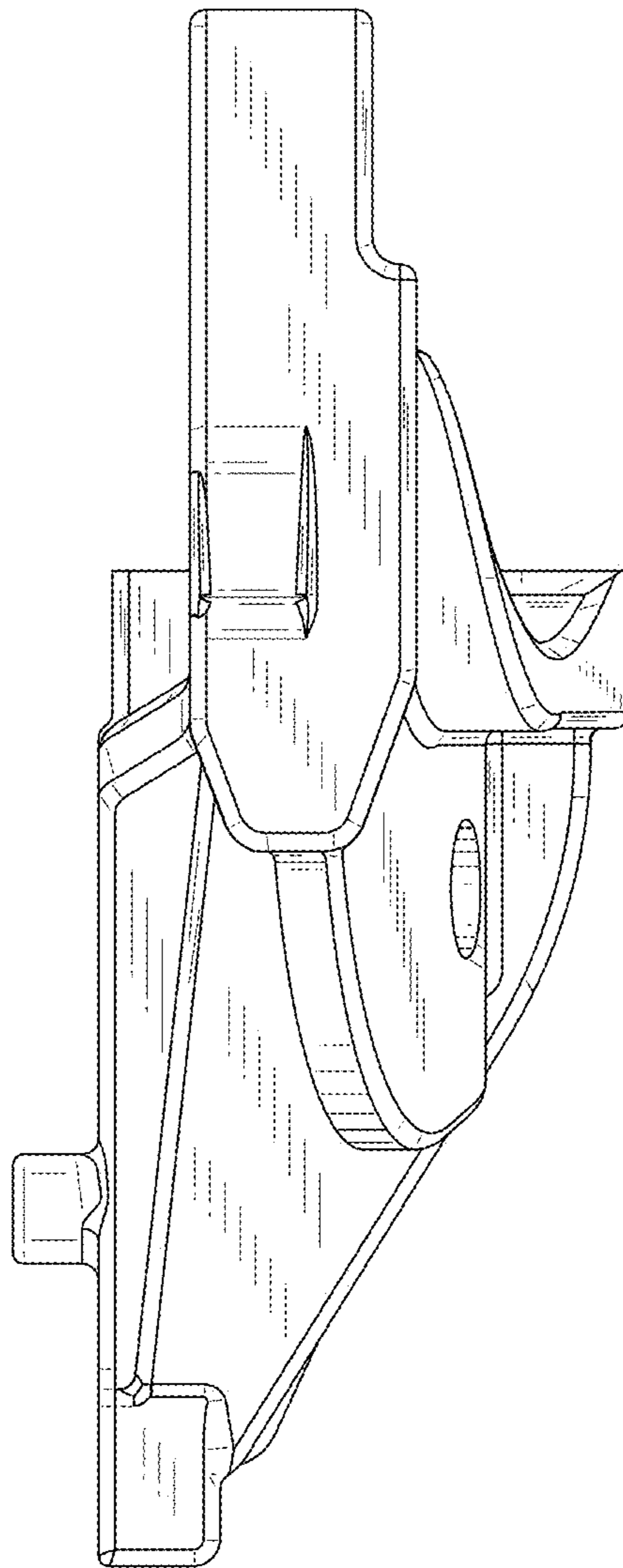


FIG. 10

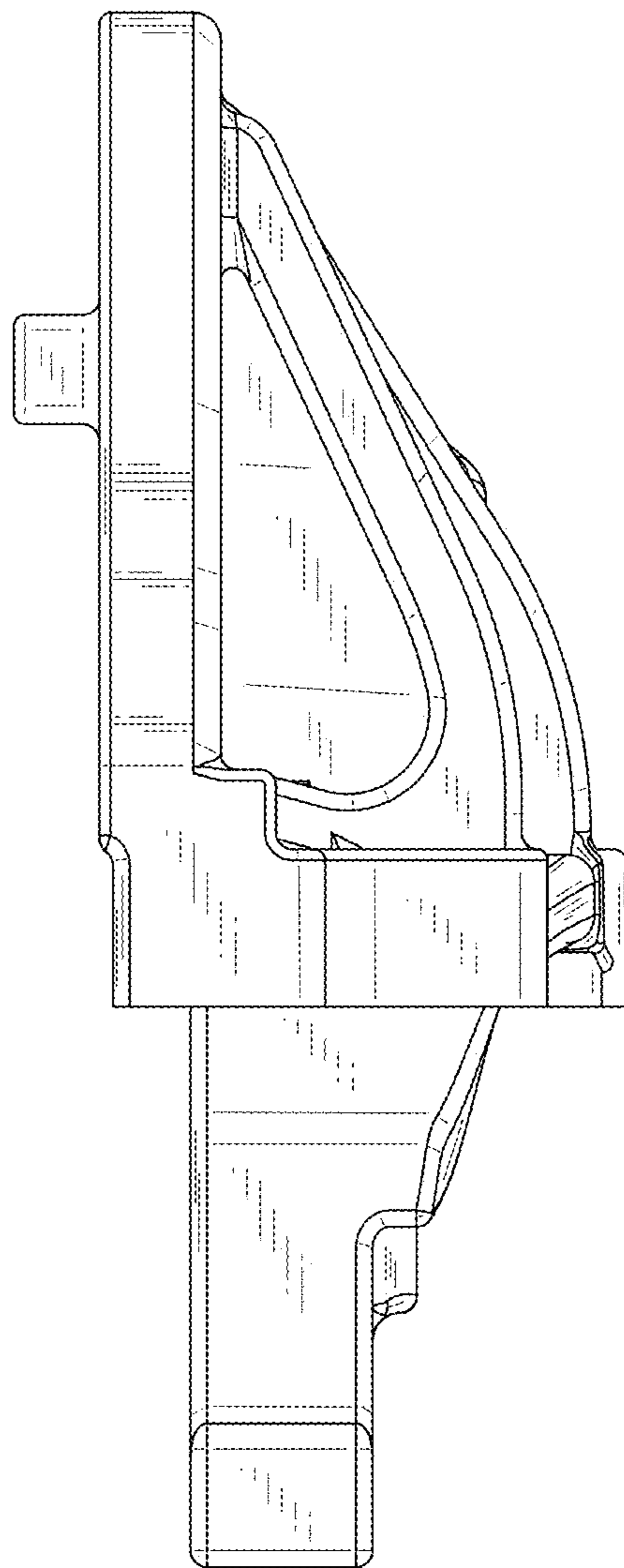


FIG.11

