



US00D975716S

(12) **United States Design Patent**
Natsume et al.

(10) **Patent No.:** **US D975,716 S**
(45) **Date of Patent:** **** Jan. 17, 2023**

(54) **HOLDER FOR CONTROLLER**
(71) Applicant: **Magic Leap, Inc.**, Plantation, FL (US)
(72) Inventors: **Shigeru Natsume**, Weston, FL (US);
Sebastian Gonzalo Arrieta Gunther,
Fort Lauderdale, FL (US)
(73) Assignee: **Magic Leap, Inc.**, Plantation, FL (US)

D391,943 S 3/1998 Han
D391,944 S 3/1998 Han
D404,199 S 1/1999 Letson
D419,290 S * 1/2000 Treyer D14/253
D420,992 S * 2/2000 Hu D14/454
6,357,641 B1 3/2002 Cheng
D456,074 S * 4/2002 McCurry D24/110
D457,308 S * 5/2002 Infanti D3/218
(Continued)

(**) Term: **15 Years**

(21) Appl. No.: **29/723,297**

(22) Filed: **Feb. 5, 2020**

(51) **LOC (14) Cl.** **14-02**

(52) **U.S. Cl.**
USPC **D14/454**; D14/253

(58) **Field of Classification Search**
USPC D14/251–253, 224, 224.1, 432–434, 447,
D14/451, 452, 454; D12/415, 426.1, 223,
D12/406, 407; D16/242, 244, 245;
D3/218; D13/108; D21/333; D6/553
CPC B60R 11/00; B60R 11/02; B60R 11/0241;
B60R 11/0252; B60R 2011/0003; B60R
2011/0005; B60R 2011/0008; H04M
1/04; F16M 11/00; F16M 11/04; F16M
11/041; F16M 11/06

See application file for complete search history.

(56) **References Cited**

U.S. PATENT DOCUMENTS

D329,749 S 9/1992 Scheid
D339,690 S * 9/1993 Takahashi D3/218
D340,042 S 10/1993 Copper et al.
D344,178 S 2/1994 Zinck
D346,275 S * 4/1994 Hayasaka D3/218
D348,355 S * 7/1994 Scheid D3/218
D358,822 S * 5/1995 Rudkiewicz D14/142
D387,897 S * 12/1997 Yorke D27/172

FOREIGN PATENT DOCUMENTS

CN 306897725 * 10/2021
EM 001479604-0001 1/2021

(Continued)

OTHER PUBLICATIONS

Amazon.com [online], “Samsung ET-Y0324BBEGUS Gear VR Controller,” first available Apr. 21, 2017, retrieved on Aug. 26, 2022, retrieved from URL<<https://www.amazon.com/Samsung-ET-Y0324BBEGUS-Gear-VR-Controller/dp/306XHXRXP1/>>, 8 pages.

(Continued)

Primary Examiner — Rebekah A Caruso
(74) *Attorney, Agent, or Firm* — Fish & Richardson P.C.

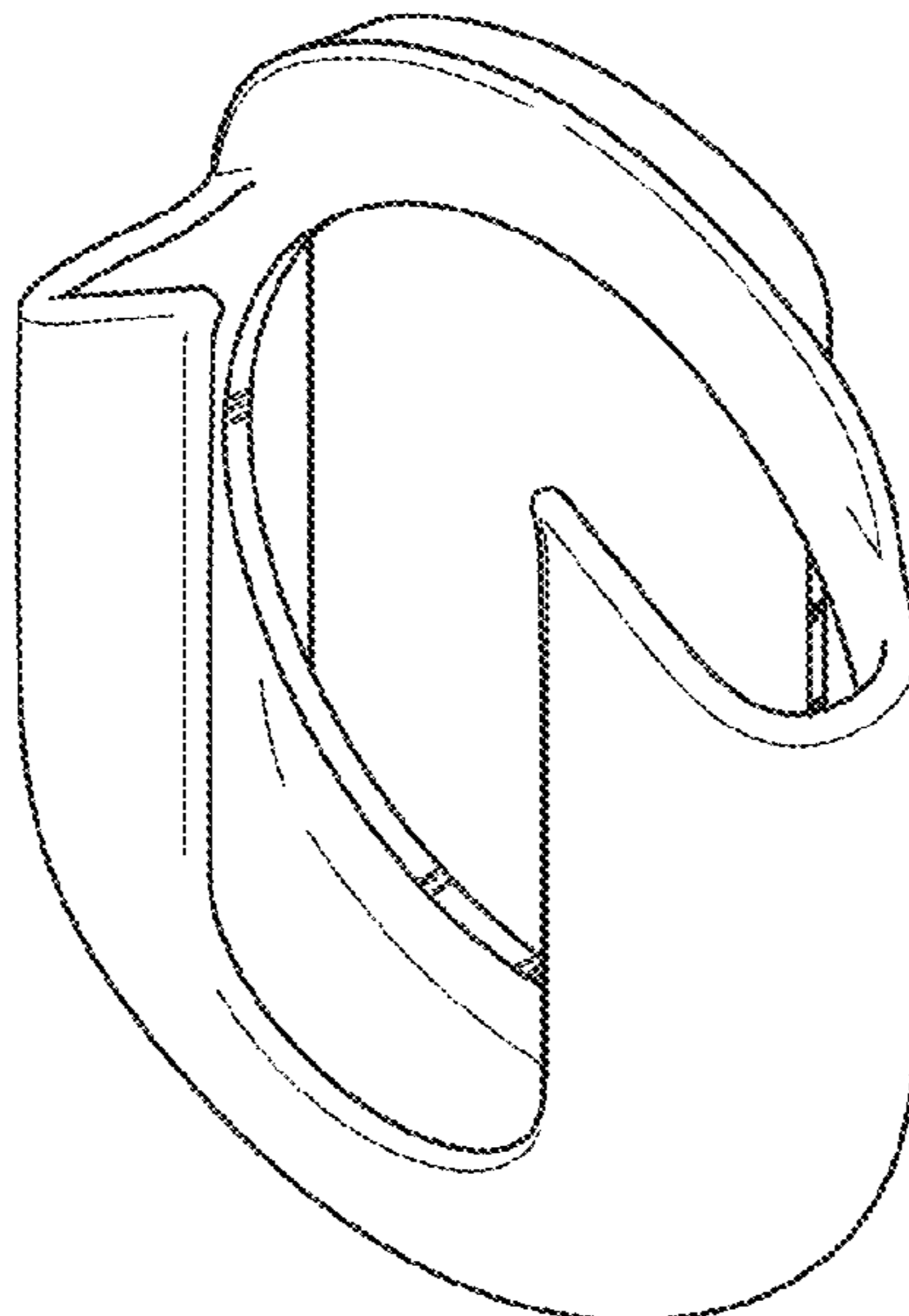
(57) **CLAIM**

The ornamental design for a holder for controller, as shown and described.

DESCRIPTION

FIG. 1 is a top perspective view of the holder for controller;
FIG. 2 is a front view thereof;
FIG. 3 is a back view thereof;
FIG. 4 is a left side view thereof;
FIG. 5 is a right side view thereof;
FIG. 6 is a top view thereof; and,
FIG. 7 is a bottom view thereof.

1 Claim, 4 Drawing Sheets



(56)

References Cited

U.S. PATENT DOCUMENTS

6,484,918 B1 * 11/2002 Lefebvre A45F 5/02
181/131

D478,721 S 8/2003 Anderton

D482,863 S 12/2003 Flood

D483,939 S * 12/2003 Kountz D3/215

6,698,632 B1 3/2004 Turner et al.

D492,109 S 6/2004 Turner et al.

D492,478 S 7/2004 Hadley et al.

D495,871 S 9/2004 Moffitt et al.

D496,787 S 10/2004 Cabrera et al.

D507,870 S 8/2005 Anderton

D507,871 S * 8/2005 DiMarchi D3/215

D510,480 S 10/2005 McCarter

D511,890 S 11/2005 Burns

D528,539 S * 9/2006 McClaude D14/253

D529,489 S * 10/2006 Sbordon, Jr. D14/253

D533,542 S 12/2006 Suzuki et al.

D545,812 S 7/2007 Grady et al.

D559,531 S 1/2008 Koppe

D566,361 S * 4/2008 Snell D32/55

D567,243 S 4/2008 Ashida et al.

D570,100 S 6/2008 Chen

D591,499 S 5/2009 Ross, III

D602,915 S 10/2009 Song et al.

D603,841 S 11/2009 Foley

D627,771 S * 11/2010 Smith D14/253

D642,164 S * 7/2011 Liner D14/229

D643,659 S * 8/2011 Choi D6/553

D648,119 S * 11/2011 Jertson D3/218

D655,350 S 3/2012 Taniguchi et al.

D668,003 S 9/2012 Pozzolini

D706,332 S * 6/2014 Ikegame D16/237

D708,847 S 7/2014 Goddard

D710,340 S * 8/2014 Wengreen D14/238.1

D711,092 S 8/2014 Lockhart-Adams et al.

D753,909 S 4/2016 Tulencik et al.

D755,976 S * 5/2016 Herscher D24/174

D768,114 S 10/2016 Hou

D768,631 S 10/2016 Epstein et al.

D776,916 S * 1/2017 Yeruva D3/218

D780,582 S 3/2017 Tulencik et al.

D797,743 S 9/2017 Awad et al.

D797,749 S 9/2017 Awad et al.

D799,814 S 10/2017 Reed

D807,635 S * 1/2018 Clover D3/218

D808,641 S * 1/2018 Clover D3/218

D813,203 S 3/2018 Hardi

D819,605 S 6/2018 Heath et al.

D820,585 S 6/2018 O'Brien

D827,613 S 9/2018 Seo et al.

D828,337 S 9/2018 Li

D830,564 S * 10/2018 Kim D24/200

D832,128 S 10/2018 Grois

D832,129 S 10/2018 Grois

D838,471 S 1/2019 Young

D840,361 S 2/2019 Gassner

D842,299 S 3/2019 Lee et al.

D844,608 S 4/2019 Chen et al.

D858,508 S * 9/2019 Lian D14/253

D863,446 S 10/2019 Bristol et al.

D866,957 S 11/2019 Ross et al.

D876,083 S 2/2020 Hamilton

D877,137 S * 3/2020 Engerman D14/253

D882,488 S * 4/2020 Tung D12/415

D884,165 S * 5/2020 deBock D24/128

D886,816 S * 6/2020 Suzuki D14/253

D887,410 S 6/2020 Lo et al.

D888,042 S 6/2020 Wright et al.

D893,857 S 8/2020 Ricard et al.

D898,027 S 10/2020 Lo et al.

D899,424 S 10/2020 Chen et al.

D902,927 S 11/2020 Hu

D907,040 S 1/2021 Hornung

D908,112 S 1/2021 Eshelman et al.

D920,287 S 5/2021 Klinger

D920,662 S 6/2021 Youn

D924,204 S 7/2021 Natsume et al.

D930,614 S 9/2021 Natsume et al.

11,112,862 B2 9/2021 Miller

D933,358 S 10/2021 Natsume et al.

D934,817 S 11/2021 Svård

D935,470 S * 11/2021 Wengreen D14/447

11,221,814 B2 1/2022 Browy

11,226,678 B2 1/2022 Stolzenberg et al.

D944,750 S 3/2022 Cortez et al.

D946,780 S 3/2022 Liu

D961,914 S * 8/2022 Natsume D3/218

D961,915 S * 8/2022 Natsume D3/218

2004/0065709 A1 4/2004 Dillenberger

2011/0062203 A1 3/2011 Weger

2012/0286012 A1 11/2012 Flis

2013/0299533 A1 11/2013 Gronewoller et al.

2014/0263521 A1 9/2014 Hamilton

2018/0348826 A1 12/2018 Aguirre et al.

2021/0178862 A1 * 6/2021 Alves B60R 11/02

FOREIGN PATENT DOCUMENTS

EM 008073282 1/2021

KR 301136322 11/2021

WO D095181 3/2017

WO D204117 11/2019

OTHER PUBLICATIONS

MagicLeap.com [online], "Magic Leap 2 AR Headset Specs and Pricing," Jul. 2022, retrieved on Aug. 26, 2022, retrieved from URL<<https://www.magicleap.com/device>>, 5 pages.

Magic-Leap.Reality.News [online], "Anyone in the World Can Order Magic Leap One NOW (But There's a Catch)," Aug. 23, 2018, retrieved on Aug. 26, 2022, retrieved from URL<<https://magic-leap.reality.news/news/anyone-world-can-order-magic-leap-one-now-but-theres-catch-0186665/>>, 4 pages.

Puxiang.com [online], "Finch Dash VR Controller," Jan. 21, 2019, retrieved on Aug. 26, 2022, retrieved from URL<<https://www.puxiang.com/galleries/e60a0036dbf69e129ee1db0700457d81>>, 4 pages.

* cited by examiner

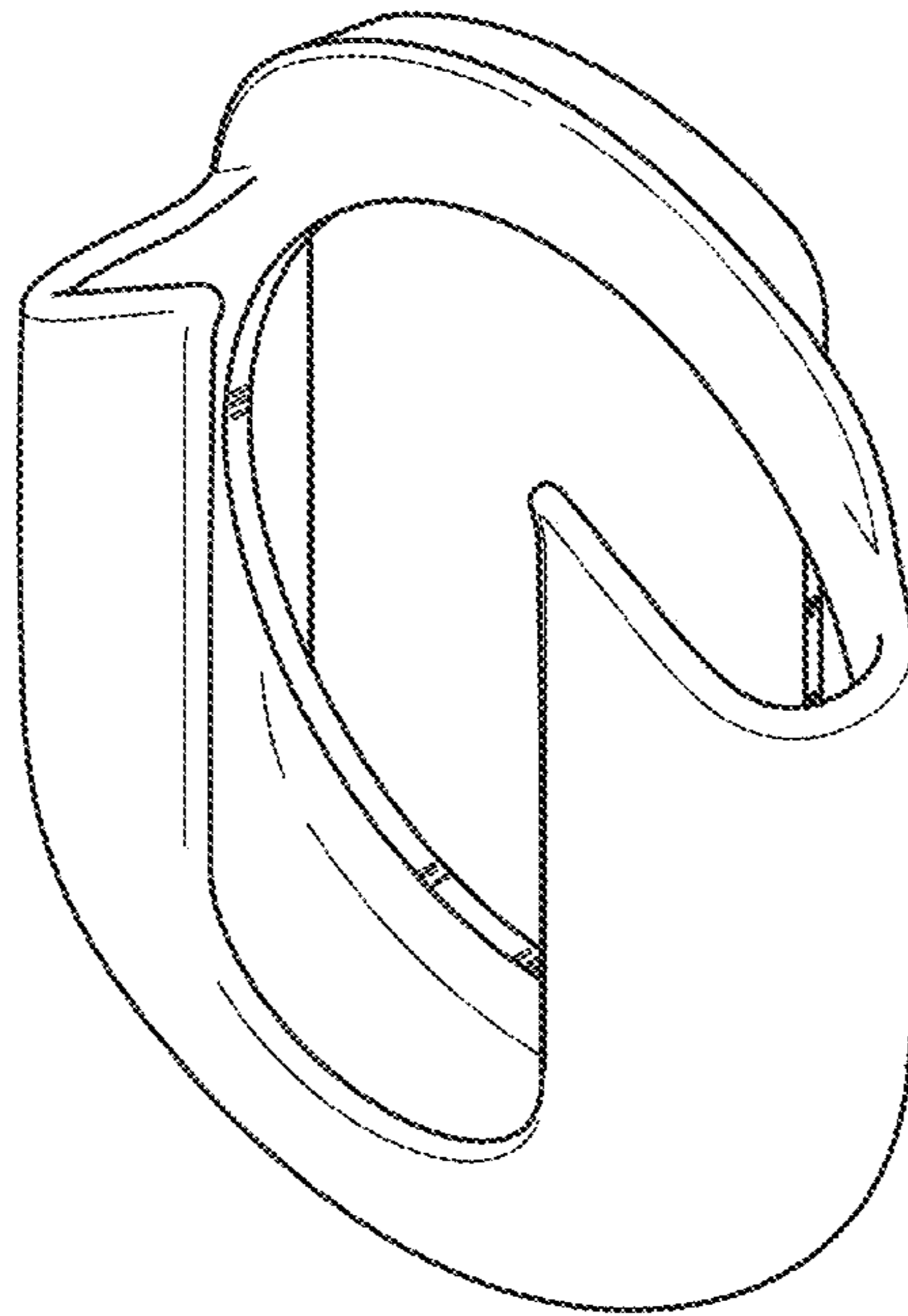


FIG. 1

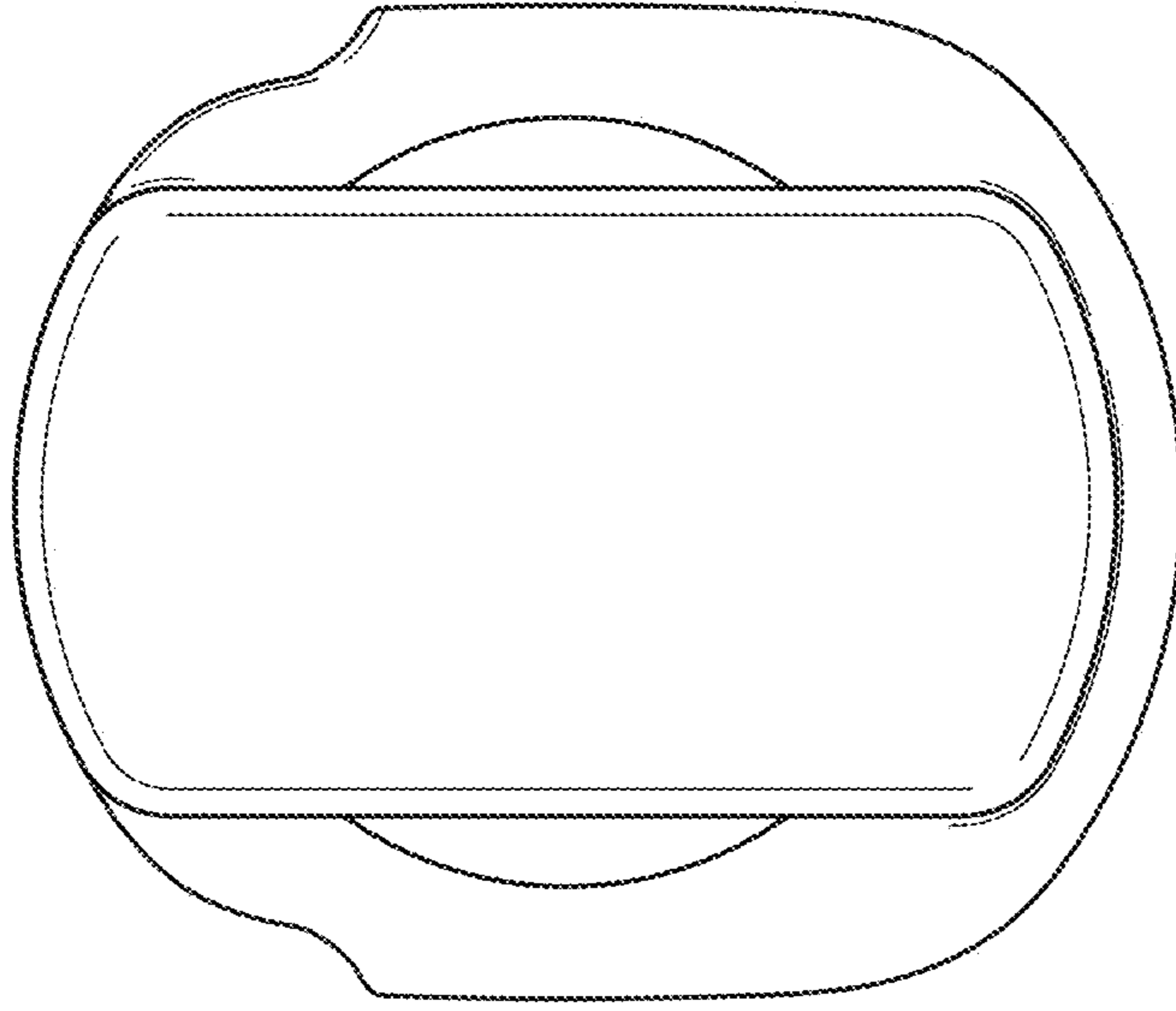


FIG. 2

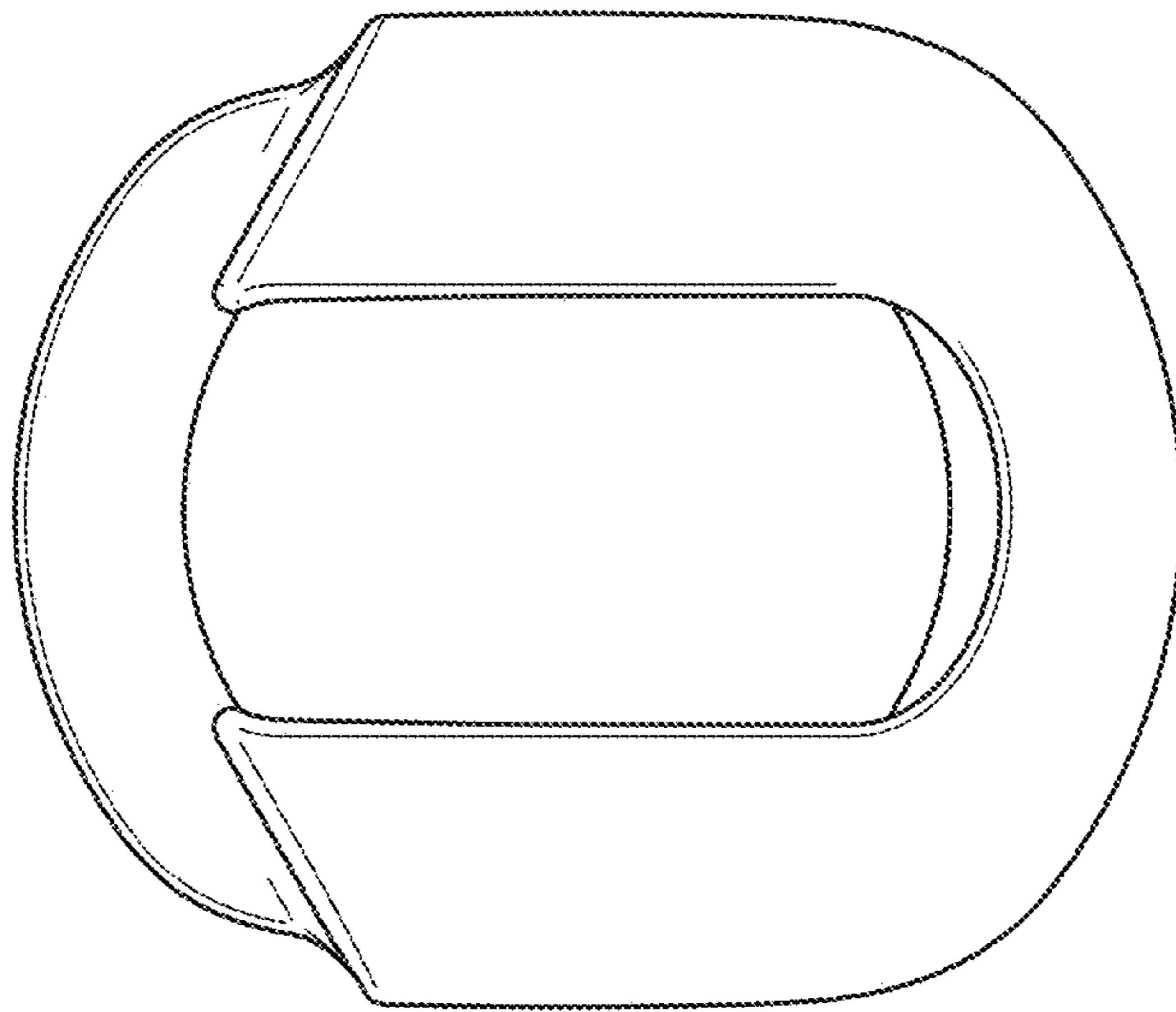


FIG. 3



FIG. 4

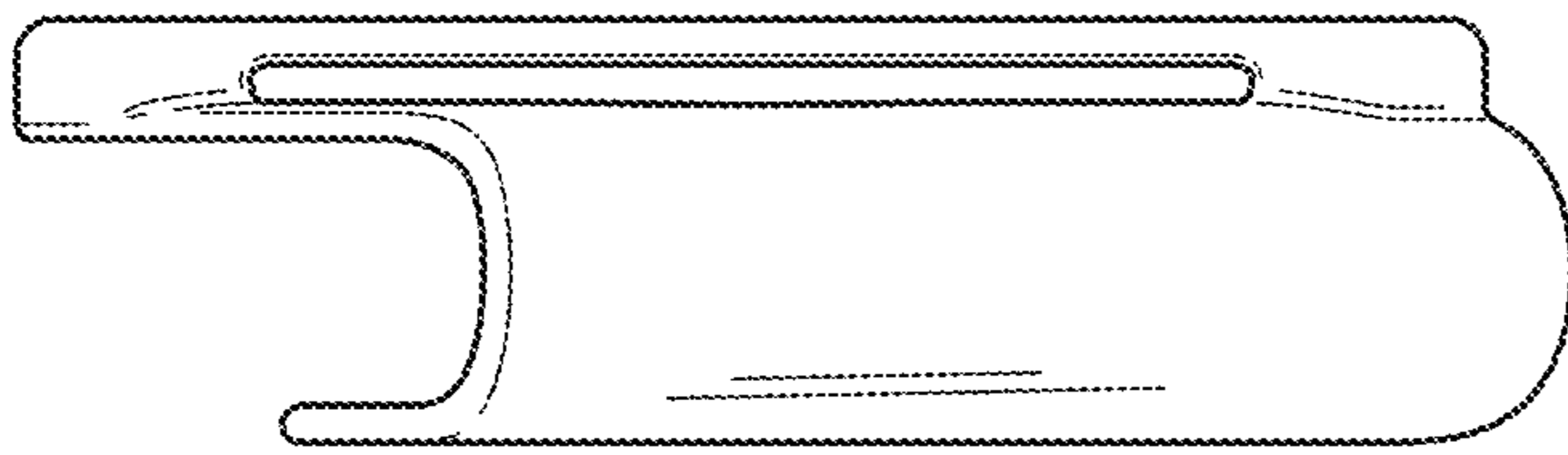


FIG. 5

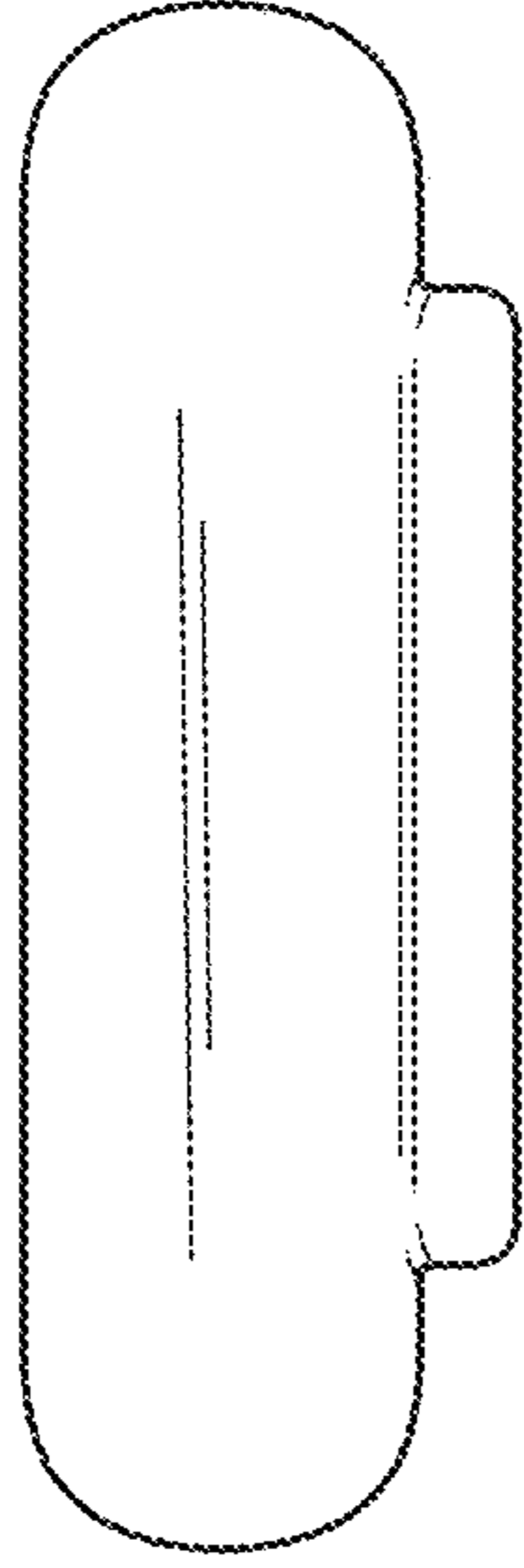


FIG. 6

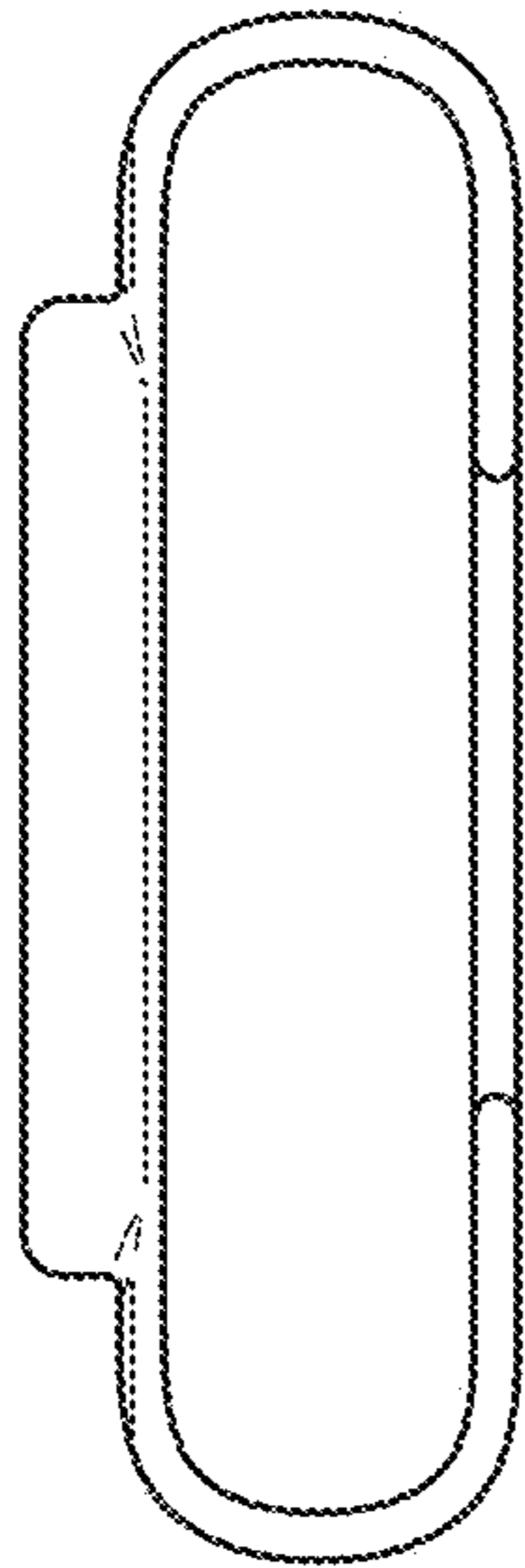


FIG. 7