



US00D975715S

(12) **United States Design Patent**  
**You**

(10) **Patent No.:** **US D975,715 S**  
(45) **Date of Patent:** **\*\* Jan. 17, 2023**

(54) **MONITOR ARM**  
(71) Applicant: **NINGBO TUOTUO RIVER DESIGN COMPANY, Zhejiang (CN)**  
(72) Inventor: **Xiaodong You, Ningbo (CN)**  
(73) Assignee: **NINGBO TUOTUO RIVER DESIGN COMPANY, Zhejiang (CN)**

D919,631 S \* 5/2021 Shu ..... D14/452  
D921,645 S \* 6/2021 Shu ..... D14/452  
D922,394 S \* 6/2021 Lu ..... D14/452  
D926,196 S \* 7/2021 Lyu ..... D14/452  
D936,069 S \* 11/2021 You ..... D14/452  
D936,070 S \* 11/2021 You ..... D14/452

(Continued)

(\*\*) Term: **15 Years**

**FOREIGN PATENT DOCUMENTS**

JP D2017-8493 \* 10/2017  
JP D2021-24671 \* 4/2022  
KR 3020160056115 \* 7/2017

(21) Appl. No.: **29/761,486**

**OTHER PUBLICATIONS**

Dell, announced on Mar. 21, 2021 [online], retrieved on Aug. 3, 2022, retrieved from internet, <https://web.archive.org/web/20210321222934/https://www.dell.com/en-us/work/shop/dell-single-monitor-arm-msa20/apd/482-bbdi/monitors-monitor-accessories> (Year: 2021).\*

(Continued)

(22) Filed: **Dec. 9, 2020**  
(51) **LOC (14) Cl.** ..... **14-02**  
(52) **U.S. Cl.**  
USPC ..... **D14/452**  
(58) **Field of Classification Search**  
USPC ..... D14/239, 271-382, 125-129, 336-337,  
D14/447-452, 492, 335, 432, 251, 253  
CPC .... G06F 3/0488; G06F 3/04883; G06F 3/023;  
G06F 3/0213; G06F 3/0219; G06F  
3/0202; G06F 3/0338; G06F 3/03543;  
G06F 3/038; G06F 3/011; G06F 3/016;  
G06F 1/1616

*Primary Examiner* — Messina L Smith  
*Assistant Examiner* — Noah Perez  
(74) *Attorney, Agent, or Firm* — Knobbe Martens Olson & Bear LLP

See application file for complete search history.

(57) **CLAIM**

The ornamental design for a monitor arm, as shown and described.

(56) **References Cited**

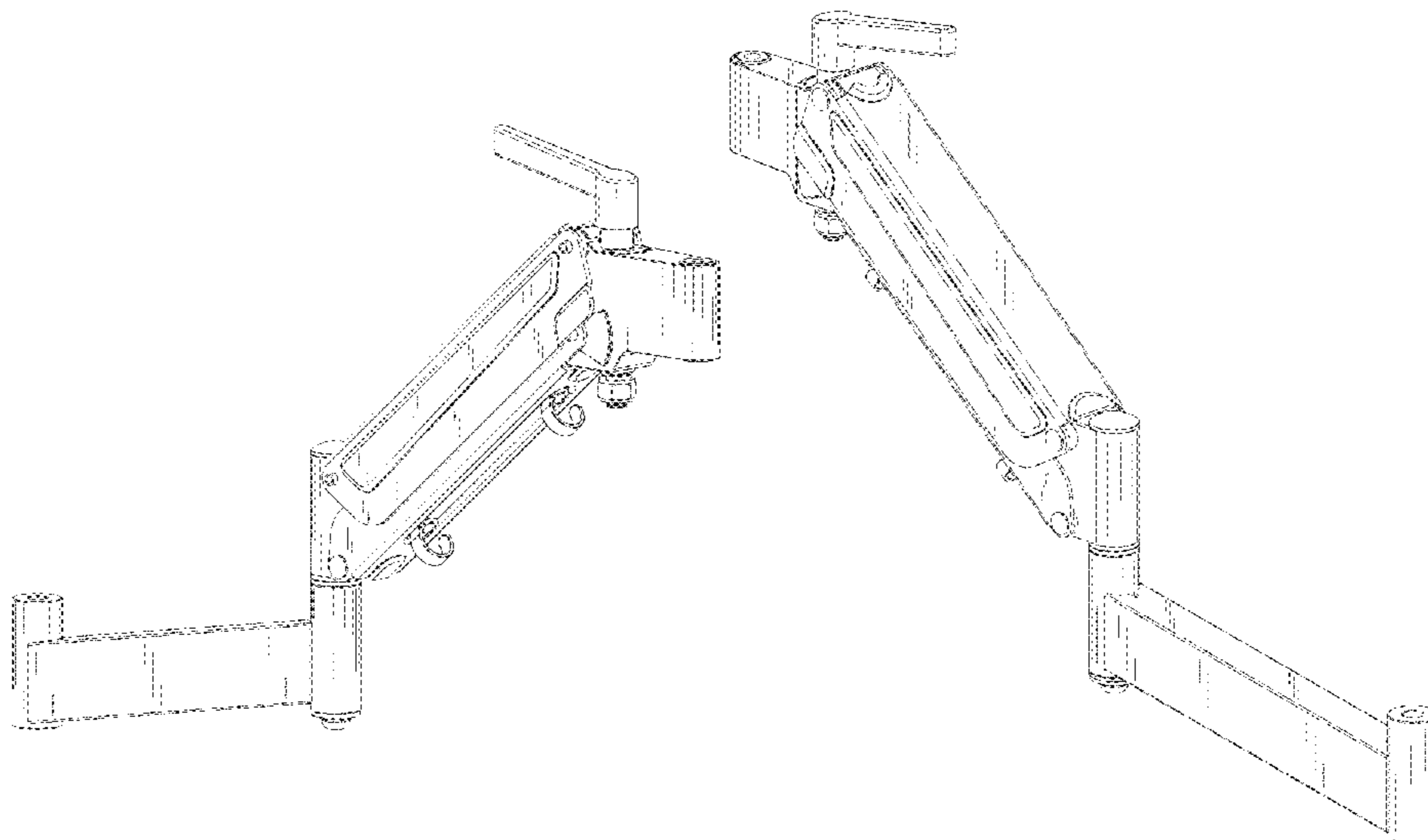
**DESCRIPTION**

**U.S. PATENT DOCUMENTS**

D631,052 S \* 1/2011 Hung ..... D14/452  
D745,873 S \* 12/2015 Xiang ..... D14/452  
D747,179 S \* 1/2016 Xiang ..... D8/363  
D805,085 S \* 12/2017 Xiang ..... D14/452  
D807,373 S \* 1/2018 Thetard ..... D14/452  
D822,671 S \* 7/2018 Chu ..... D14/452  
D834,030 S \* 11/2018 Lindo ..... D14/452  
D847,823 S \* 5/2019 Monsalve ..... D14/452  
D848,444 S \* 5/2019 Jung ..... D14/452  
D849,013 S \* 5/2019 Monsalve ..... D14/452  
D875,105 S \* 2/2020 Xiang ..... D14/452  
D877,744 S \* 3/2020 Xiang ..... D14/452  
D916,709 S \* 4/2021 Hung ..... D14/452

FIG. 1 is a first perspective view of the monitor arm embodying the new design;  
FIG. 2 is a second perspective view thereof;  
FIG. 3 is a left side view thereof;  
FIG. 4 is a right side view thereof;  
FIG. 5 is a back view thereof;  
FIG. 6 is a front view thereof;  
FIG. 7 is a top view thereof; and,  
FIG. 8 is a bottom view thereof.

**1 Claim, 8 Drawing Sheets**



(56)

**References Cited**

U.S. PATENT DOCUMENTS

D936,071 S \* 11/2021 You ..... D14/452  
D939,517 S \* 12/2021 You ..... D14/452  
D950,570 S \* 5/2022 You ..... D14/452  
D951,962 S \* 5/2022 You ..... D14/452  
D956,769 S \* 7/2022 Lin ..... D14/452  
2014/0367137 A1\* 12/2014 Leung ..... H02G 1/00  
174/68.3  
2019/0301670 A1\* 10/2019 Glickstein ..... F16M 11/16

OTHER PUBLICATIONS

Monitor Stands Now, no announcement date [online], retrieved on Aug. 3, 2022, retrieved from internet, <https://www.monitorstandsnow.com/P-22474/Wall-Mount-Arm-for-Monitors-for-Small-Computer-Screens?st=Category&sid=29386>.\*

Monitor Stands Now, no announcement date [online], retrieved on Aug. 3, 2022, retrieved from internet, <https://www.monitorstandsnow.com/P-33904/Adjustable-Wall-Mount-Computer-Desk-Keyboard-Laptop-Tray-VESA-Bracket?st=Category&sid=29386>.\*

Monitor Stands Now, no announcement date [online], retrieved on Aug. 3, 2022, retrieved from internet, <https://www.monitorstandsnow.com/P-27766/Folding-Computer-Display-Commercial-Use?st=Category&sid=29386>.\*

\* cited by examiner

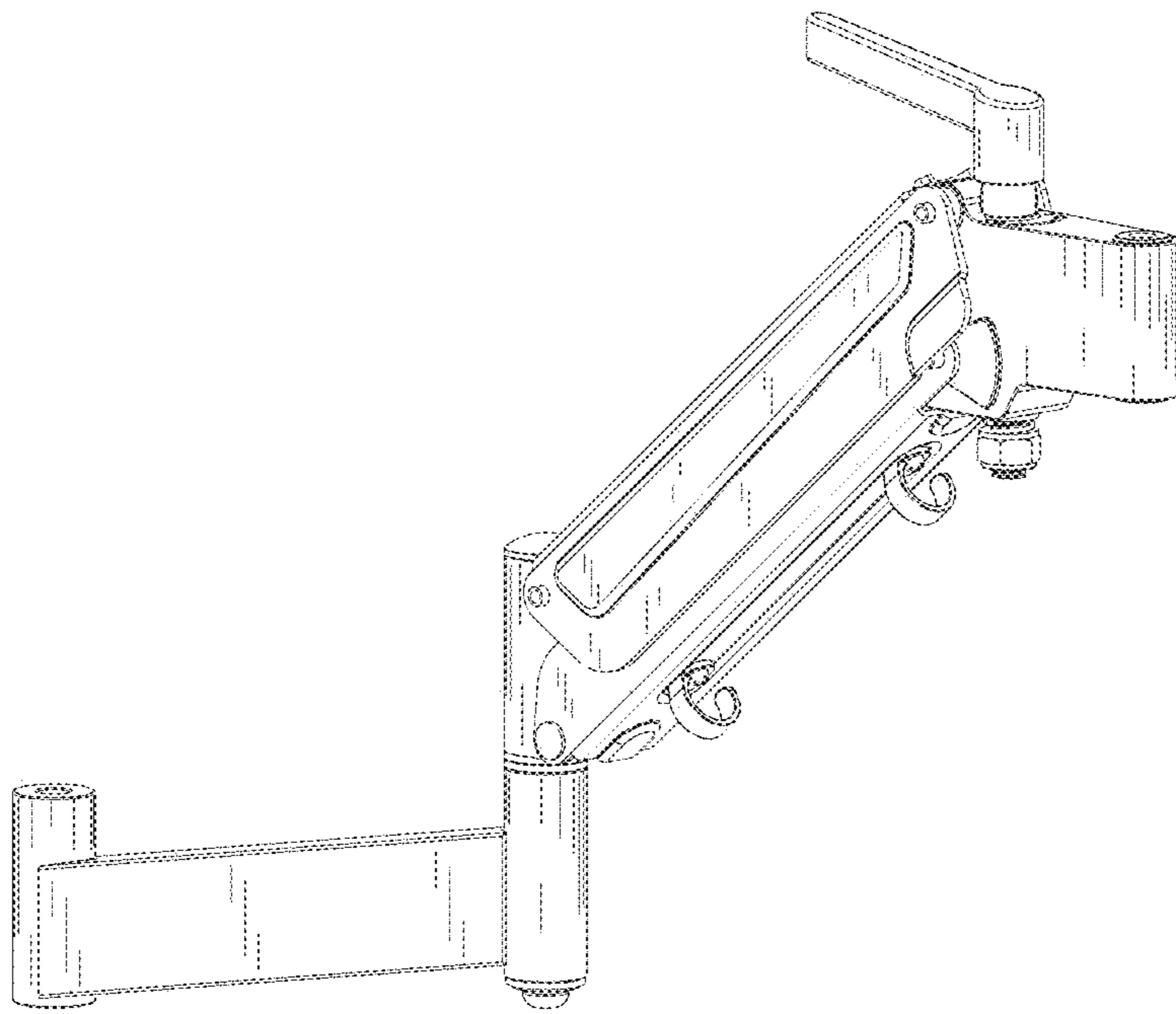


Fig. 1

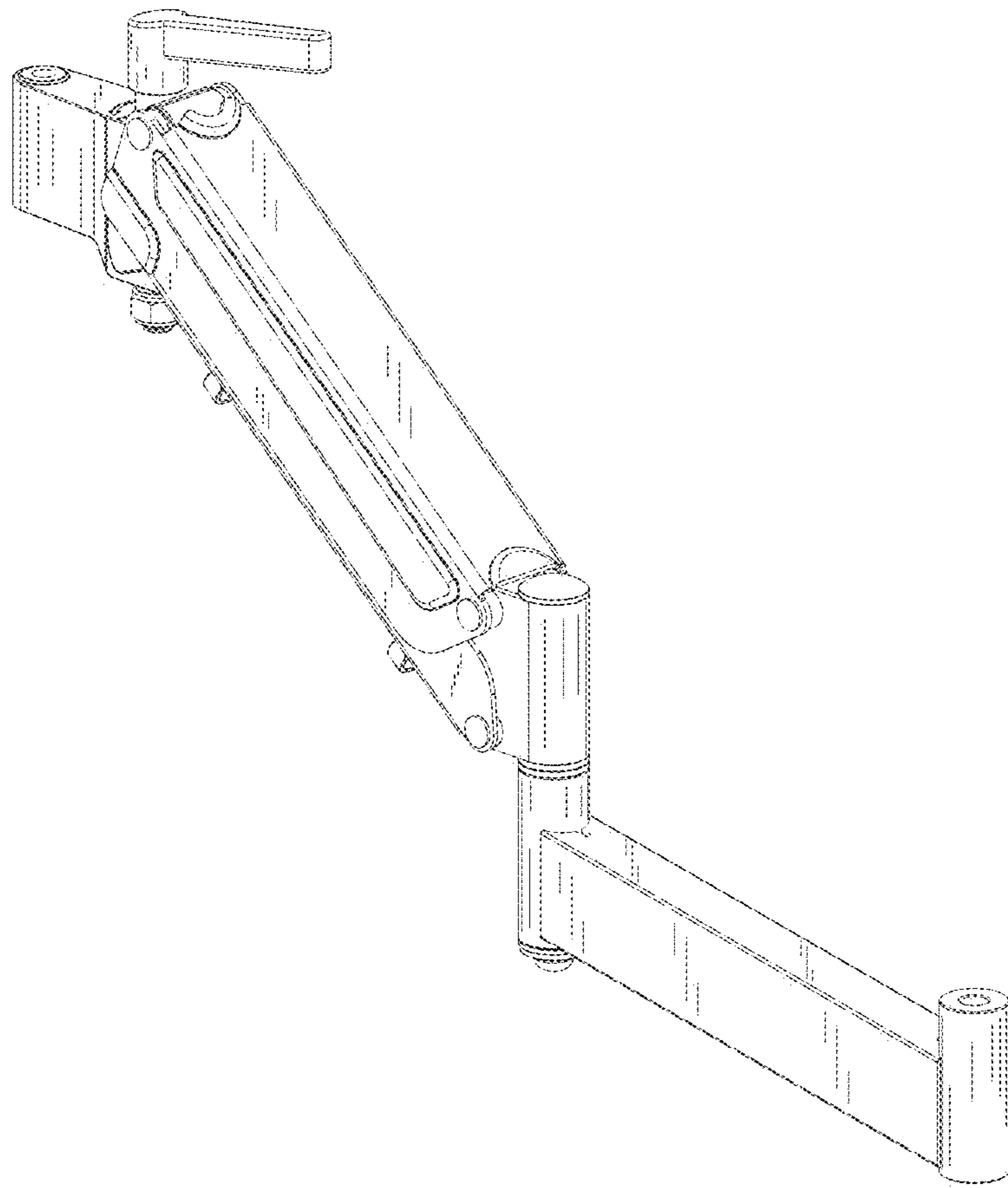


Fig.2

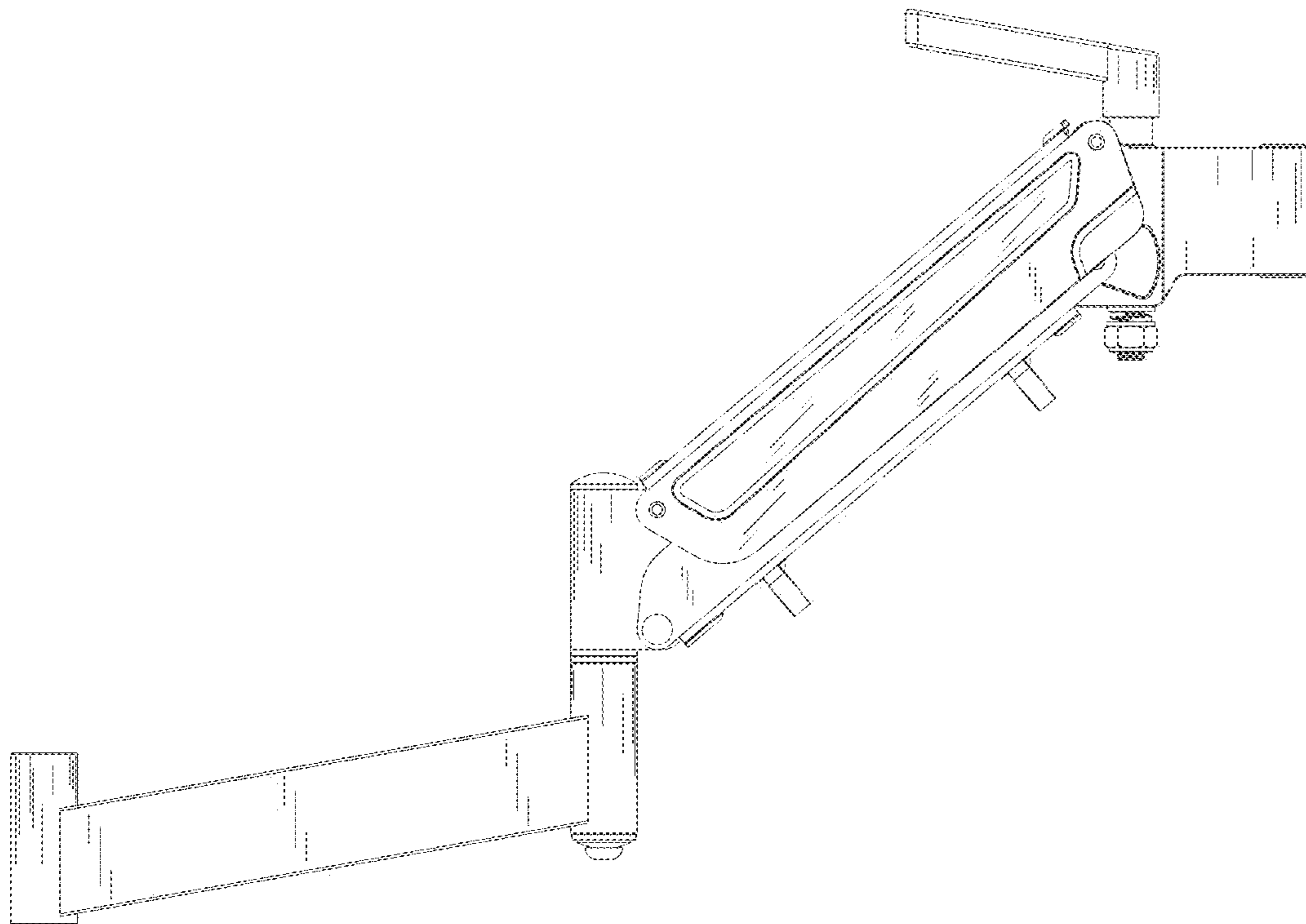


Fig.3

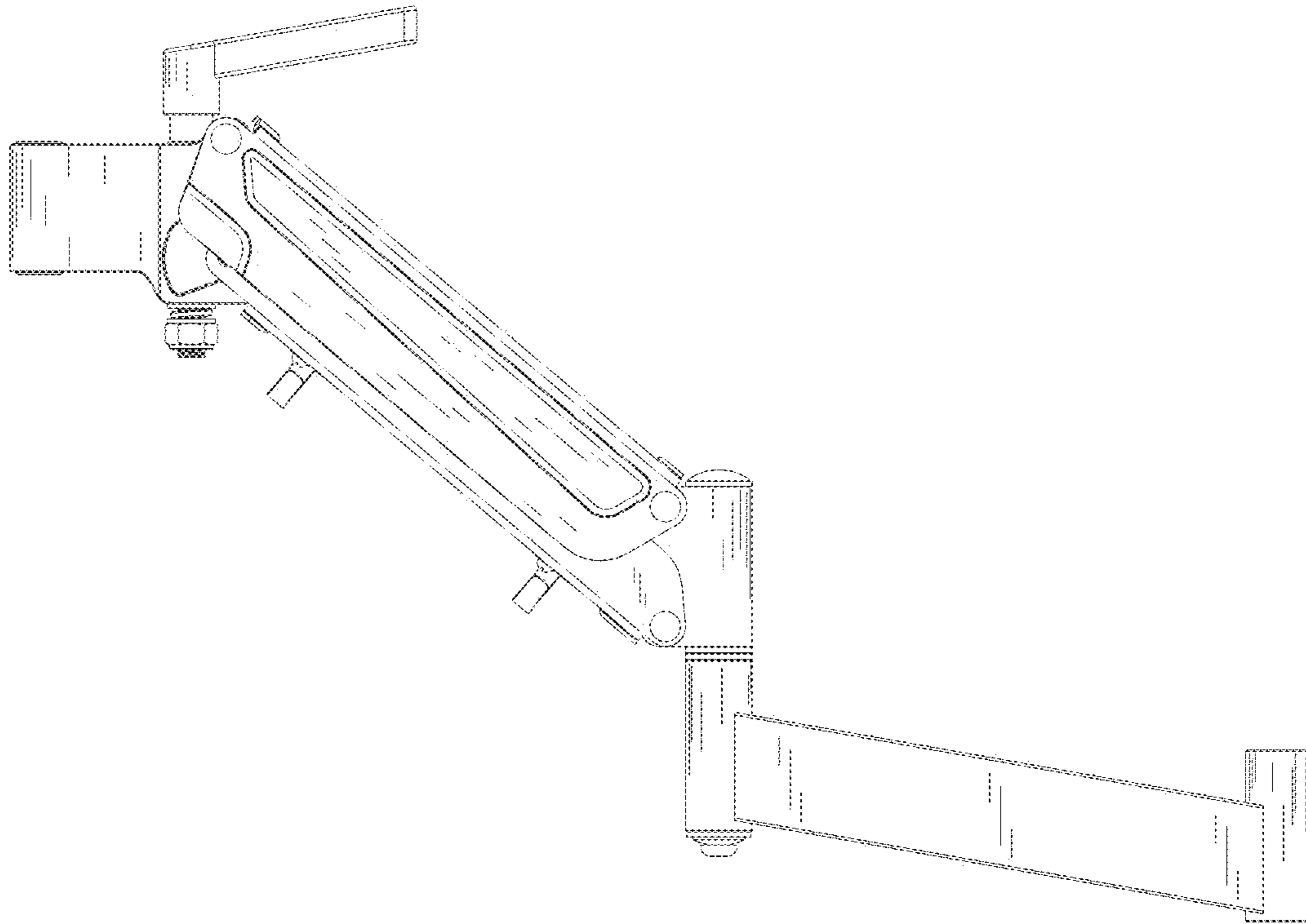


Fig.4

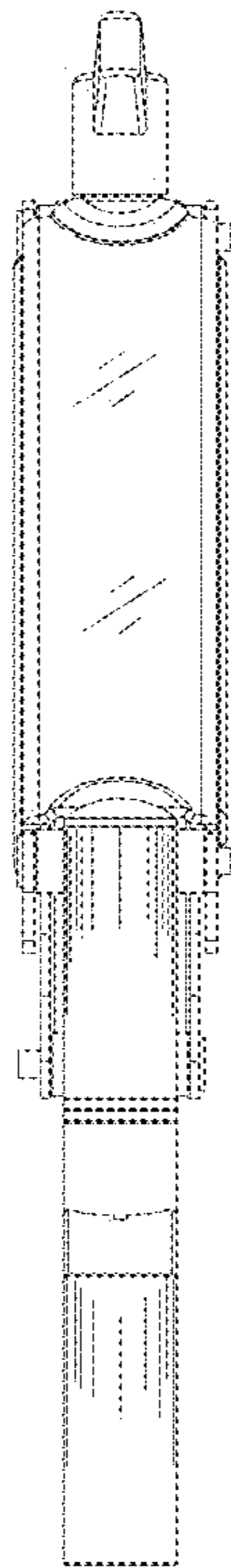


Fig.5

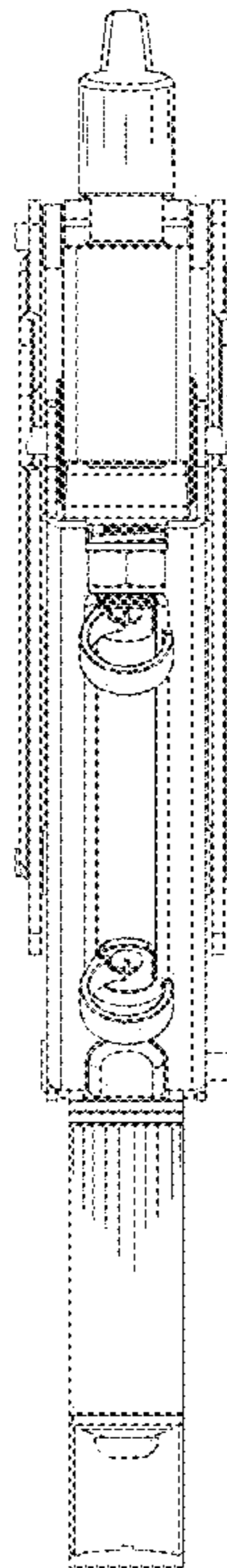


Fig.6



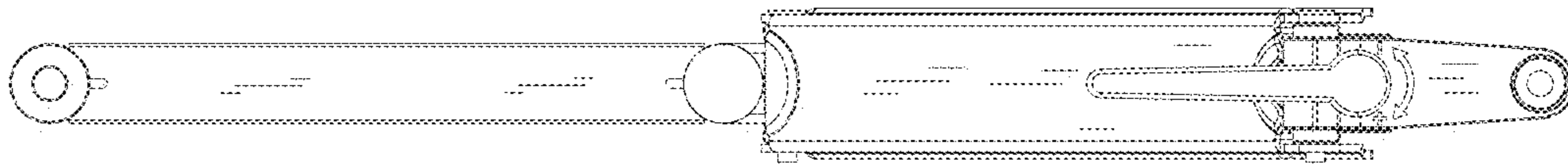


Fig.7

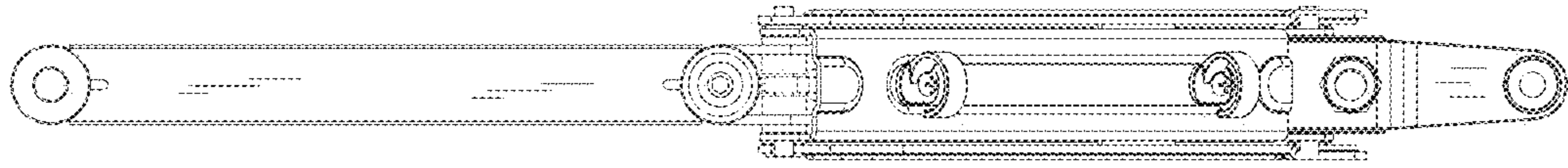


Fig.8