



US00D975714S

(12) **United States Design Patent** (10) **Patent No.:** **US D975,714 S**
Harper (45) **Date of Patent:** **** Jan. 17, 2023**

(54) **TUBE BENDING TOOL**
(71) Applicant: **EKWB d.o.o.**, Komenda (SI)
(72) Inventor: **Daniel George Harper**, London (GB)
(73) Assignee: **EKWB d.o.o.**
(**) Term: **15 Years**
(21) Appl. No.: **29/675,956**
(22) Filed: **Jan. 7, 2019**
(51) **LOC (14) Cl.** **14-02**
(52) **U.S. Cl.**
USPC **D14/432**
(58) **Field of Classification Search**
USPC D14/433, 432, 435, 439, 300, 299;
D23/314, 386, 387, 499
CPC . G06F 1/20; G06F 1/203; G06F 1/206; G06F
2200/201; F16B 19/1072
See application file for complete search history.

2017/0034950 A1* 2/2017 Sung H05K 7/20272
2017/0215301 A1* 7/2017 Zheng G06F 1/20
2018/0196482 A1* 7/2018 Wu G06F 1/20
2022/0136775 A1* 5/2022 Wu F28D 15/00
165/104.25

FOREIGN PATENT DOCUMENTS

CN 304257500 * 8/2017
CN 305269776 * 7/2019
CN 305269777 * 7/2019
CN 305851612 * 6/2020
CN 305887078 * 6/2020
GB 6178795 * 11/2021

* cited by examiner

Primary Examiner — Sheryl Lane
Assistant Examiner — Ieisha N Price
(74) *Attorney, Agent, or Firm* — McGarry Bair PC

(57) **CLAIM**

The ornamental design for a tube bending tool, as shown and described.

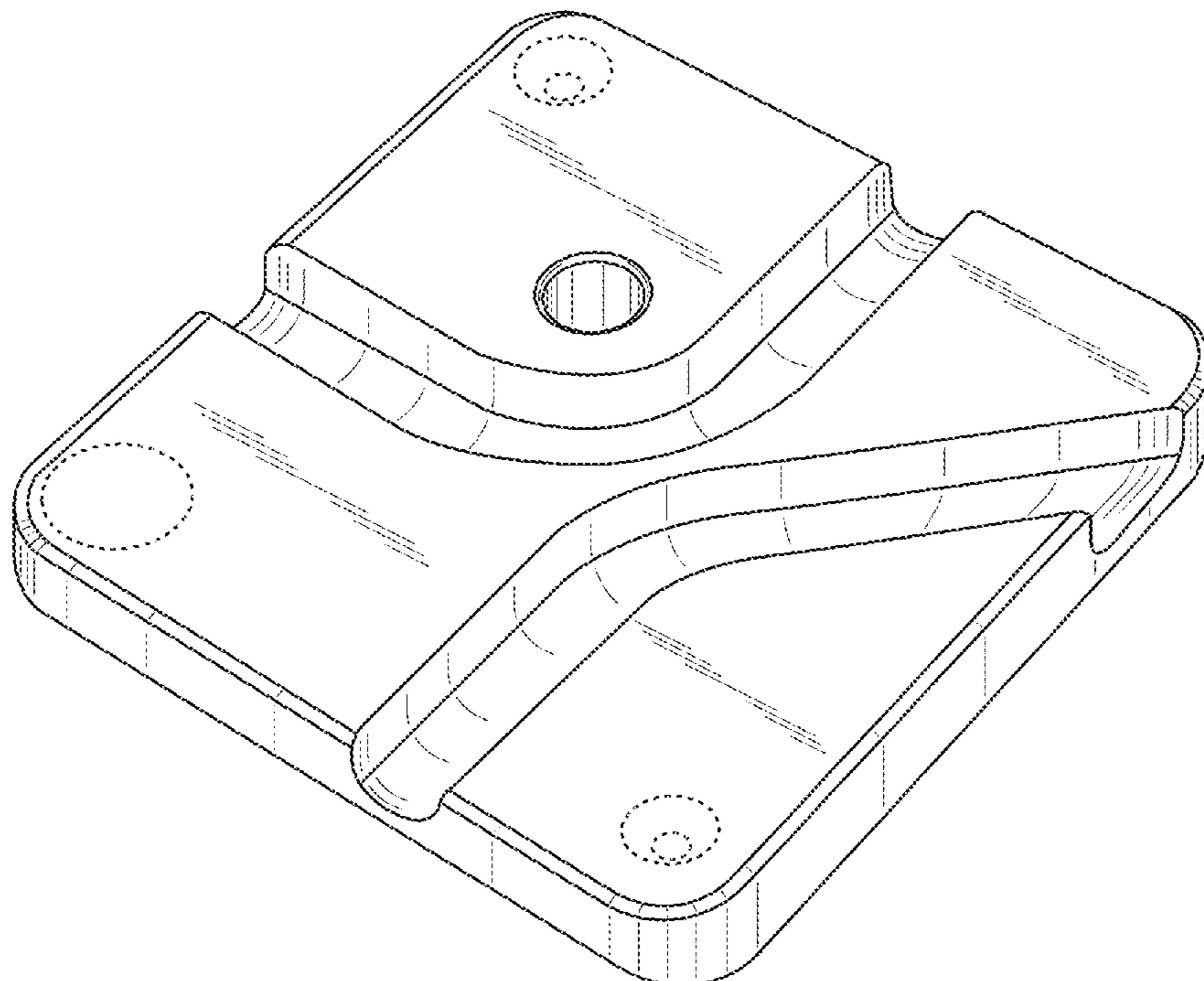
DESCRIPTION

FIG. 1 is a top perspective view of a tube bending tool showing our new design;
FIG. 2 is a top view thereof;
FIG. 3 is a bottom view thereof;
FIG. 4 is a front side view thereof;
FIG. 5 is a rear side view thereof;
FIG. 6 is a right side view thereof; and,
FIG. 7 is a left side view thereof.
The broken lines in the drawings illustrate portions of the tube bending tool and form no part of the claimed design.

(56) **References Cited**
U.S. PATENT DOCUMENTS

D407,714 S * 4/1999 Yeh D14/439
D419,979 S * 2/2000 Lu D14/439
8,493,735 B2 * 7/2013 Iijima G06F 1/20
361/698
D767,571 S * 9/2016 Iizuka D13/184
2005/0088820 A1 * 4/2005 Naganawa F28D 1/05341
257/E23.098
2008/0202730 A1 * 8/2008 Onishi G06F 1/203
257/E23.098
2012/0314364 A1 * 12/2012 Tang G06F 1/20
361/679.54

1 Claim, 5 Drawing Sheets



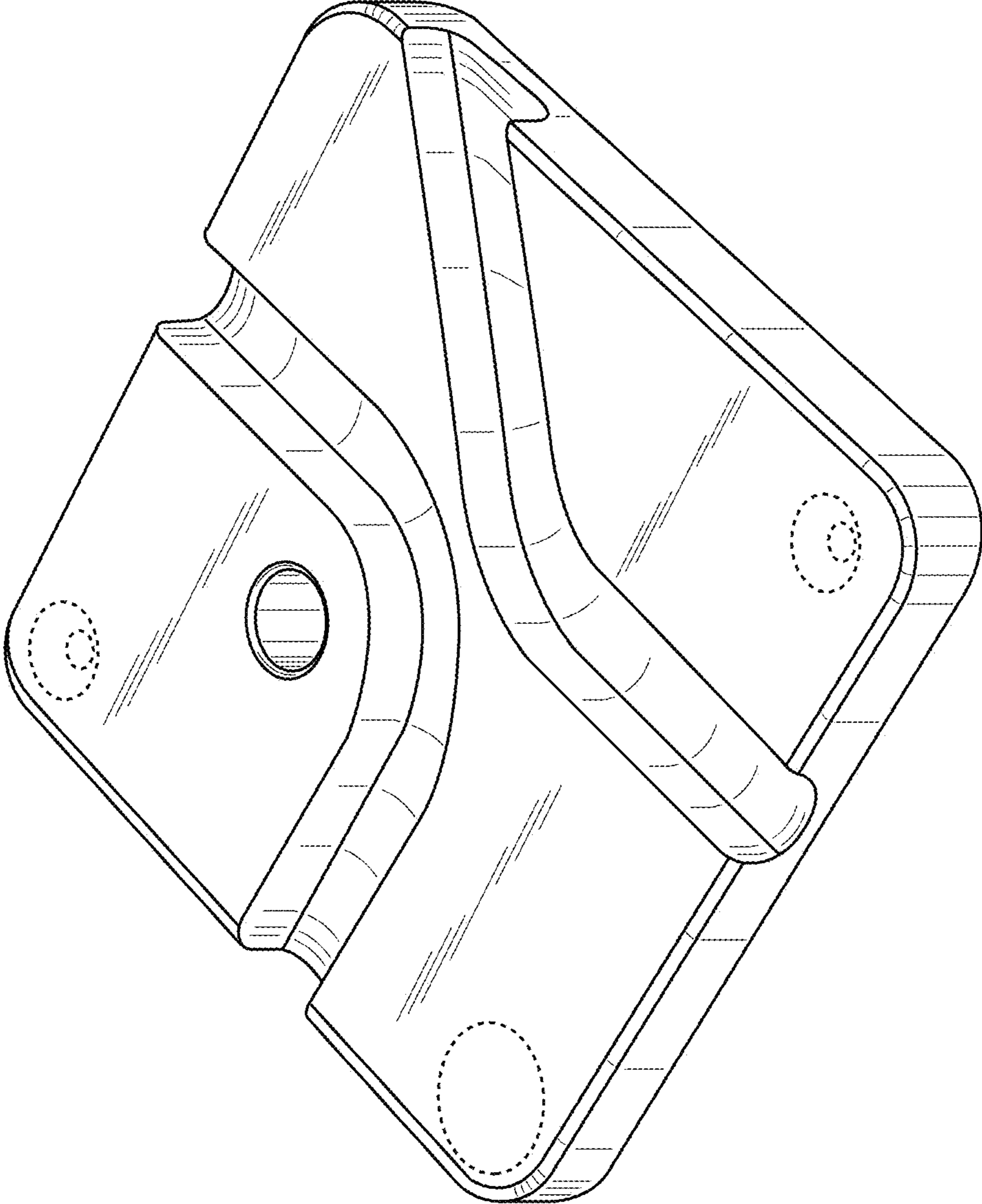


FIG. 1

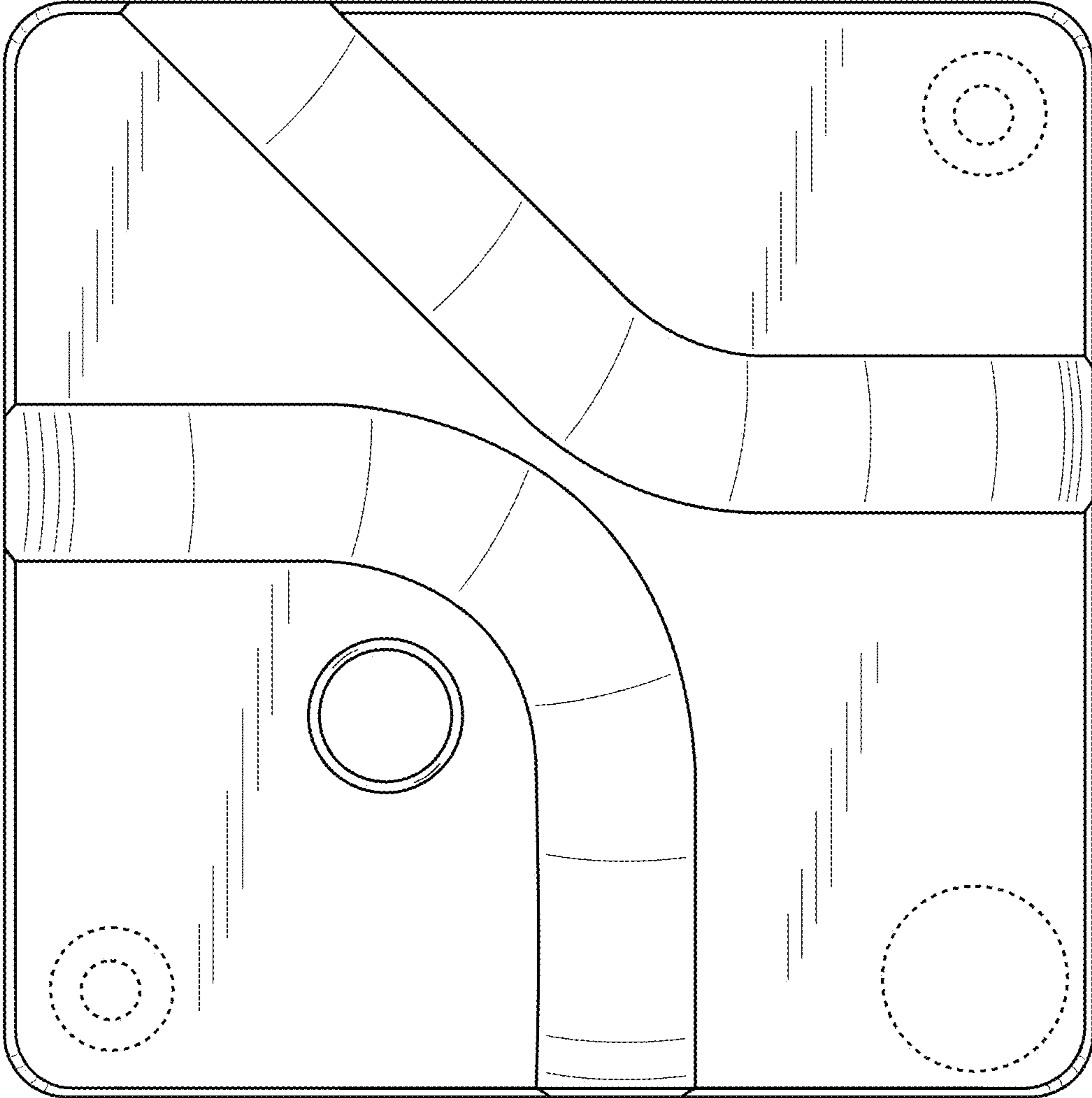


FIG. 2

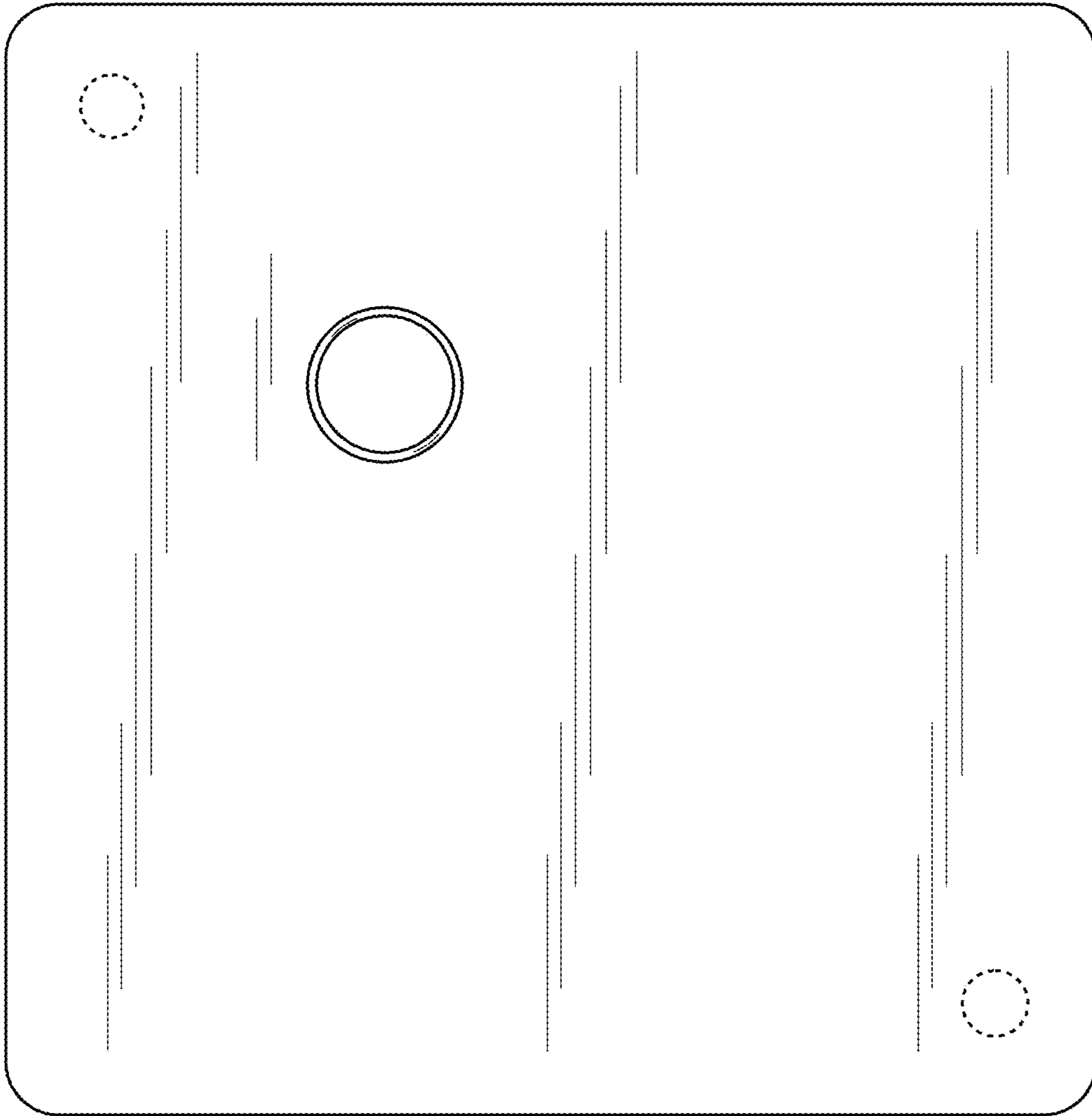


FIG. 3

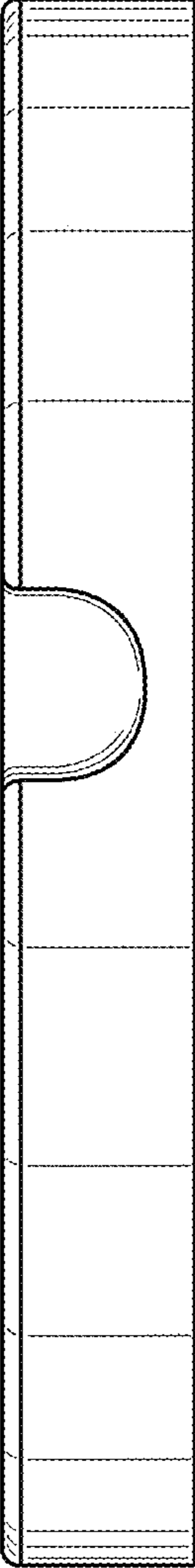


FIG. 4



FIG. 5

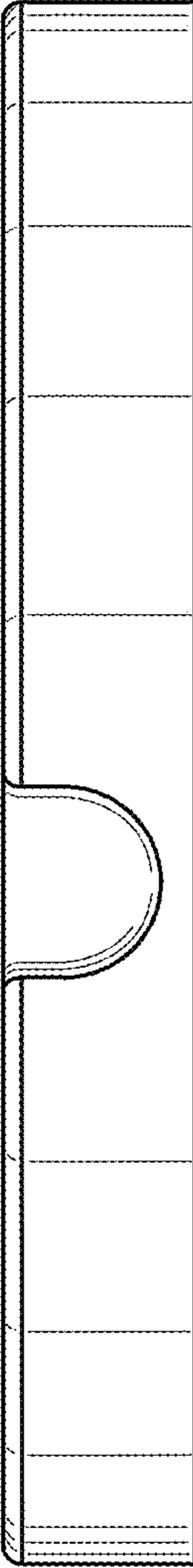


FIG. 6

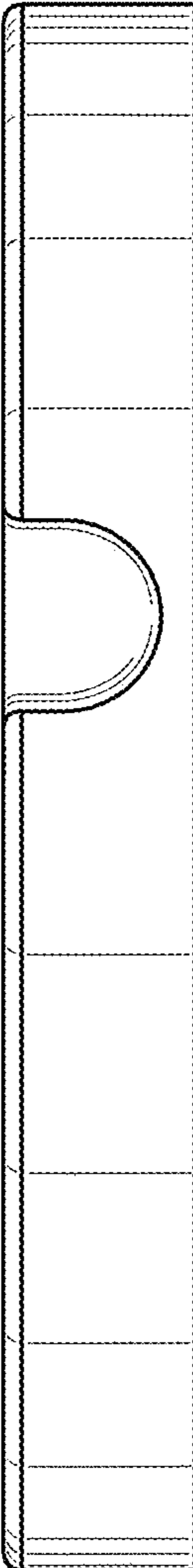


FIG. 7