



US00D975713S

(12) **United States Design Patent** (10) **Patent No.:** **US D975,713 S**
Kim (45) **Date of Patent:** **** Jan. 17, 2023**

(54) **STYLUS FOR TOUCH SCREENS**

(71) Applicant: **Soonil Kim**, Seoul (KR)

(72) Inventor: **Soonil Kim**, Seoul (KR)

(**) Term: **15 Years**

(21) Appl. No.: **35/512,509**

(22) Filed: **Mar. 9, 2021**

(80) **Hague Agreement Data**

Int. Filing Date: **Mar. 9, 2021**

Int. Reg. No.: **DM/215314**

Int. Reg. Date: **Mar. 9, 2021**

Int. Reg. Pub. Date: **Sep. 10, 2021**

(30) **Foreign Application Priority Data**

Mar. 3, 2021 (KR) 30-2021-0010323

(51) **LOC (14) Cl.** **14-02**

(52) **U.S. Cl.**
USPC **D14/411**

(58) **Field of Classification Search**

USPC D14/372, 496, 432, 371, 125, 126, 129,
D14/299, 411, 402-410; D16/300-342;
351/158, 153, 144; 345/7-9, 905;
455/344; 348/115, 53, 121, 739

CPC G02B 27/017; G06F 3/016; G06F 3/033;
G06F 3/0317; G06F 3/03545; G06F
3/041; G06K 9/222

See application file for complete search history.

(56) **References Cited**

U.S. PATENT DOCUMENTS

1,324,308 A * 12/1919 Crossan B43K 23/001
24/339

1,462,714 A * 7/1923 Marchand B43K 23/001
24/339

| | | | | |
|-------------------|---------|-----------|-------|-------------|
| D412,601 S * | 8/1999 | Cooper | | D28/73 |
| D503,430 S * | 3/2005 | Chang | | D19/83 |
| D610,901 S * | 3/2010 | Jones | | D8/394 |
| D691,462 S * | 10/2013 | Rothbaum | | D8/356 |
| D695,098 S * | 12/2013 | Hobson | | D8/395 |
| D811,409 S * | 2/2018 | Zhong | | D19/81 |
| D826,940 S * | 8/2018 | Nishizawa | | D19/934 |
| D909,381 S * | 2/2021 | Greene | | D14/411 |
| D916,091 S * | 4/2021 | Connellan | | D14/405 |
| 2021/0294439 A1 * | 9/2021 | Kim | | G06F 3/0338 |
| 2022/0151405 A1 * | 5/2022 | Kim | | H04M 1/21 |

* cited by examiner

Primary Examiner — Austin Murphy

(57) **CLAIM**

The ornamental design for a stylus for touch screens, as shown and described.

DESCRIPTION

1. Stylus for touch screens

1.1 : Perspective

1.2 : Front

1.3 : Back

1.4 : Left

1.5 : Right

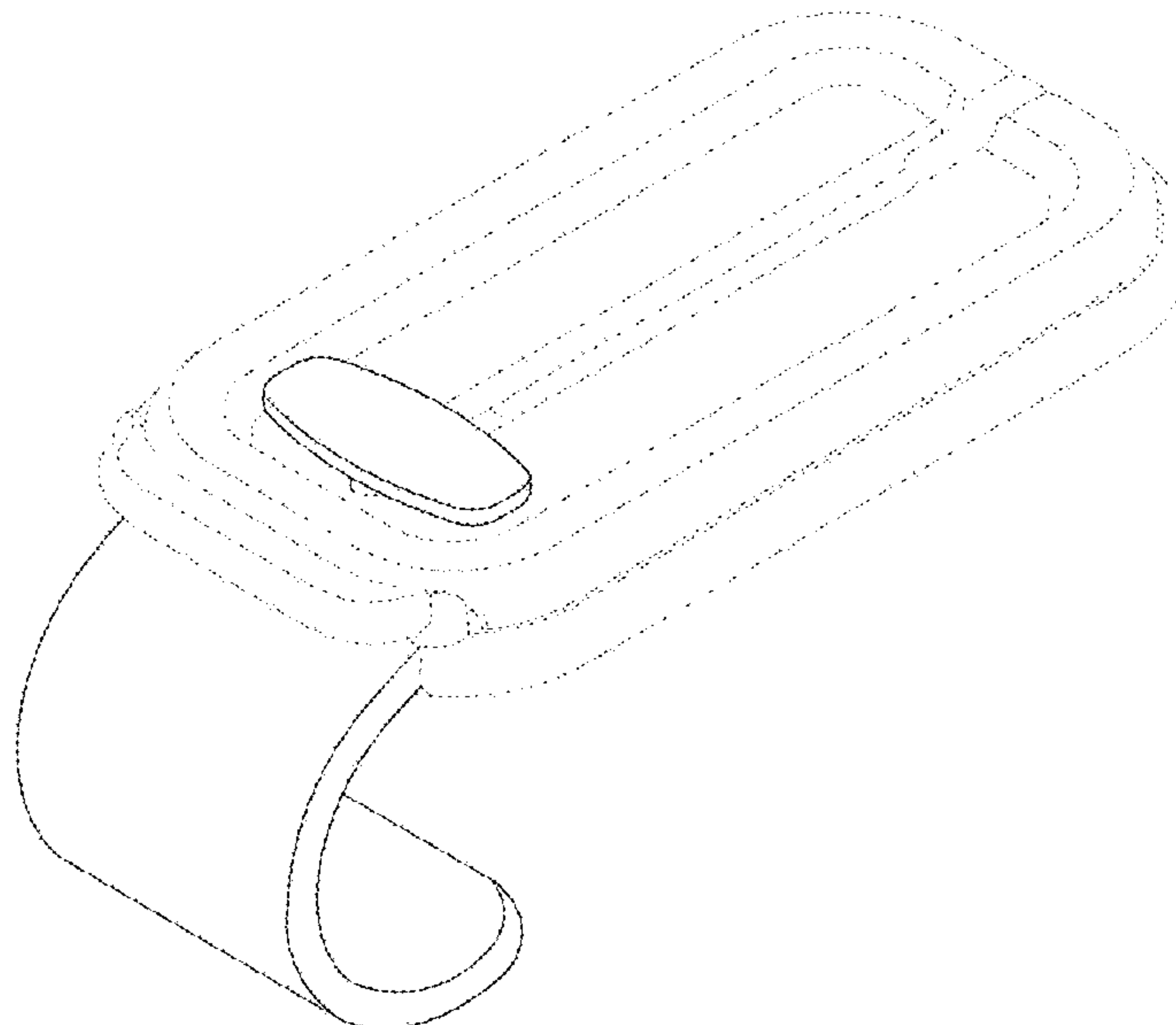
1.6 : Top

1.7 : Bottom

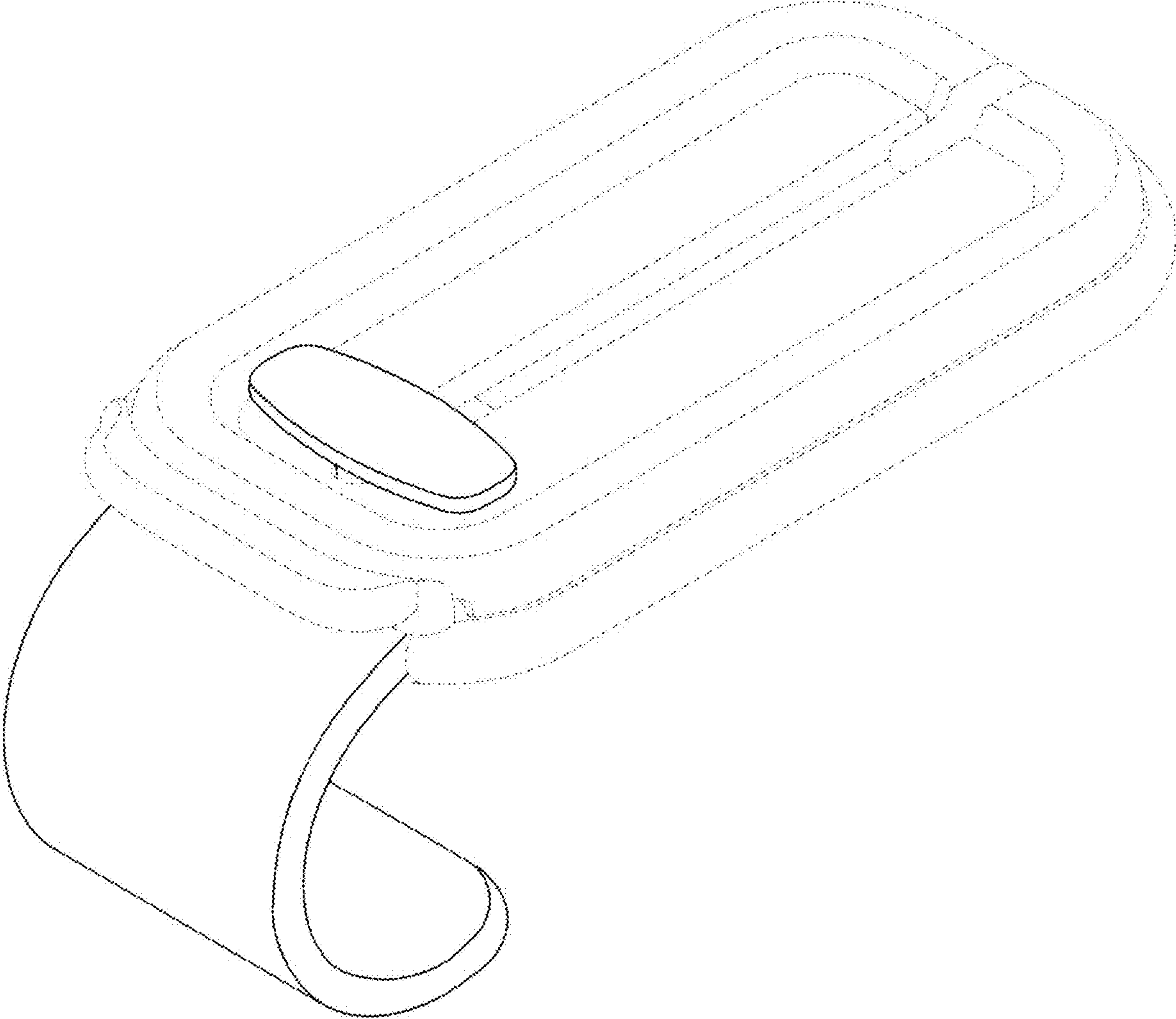
1.8 : Reference

The broken lines are for illustrative purposes only and form no part thereof; reproduction no. **1.8** is a reference view showing the design in use and form no part of the claimed design; the claimed design is for touch buttons or touch screens of electronic devices.

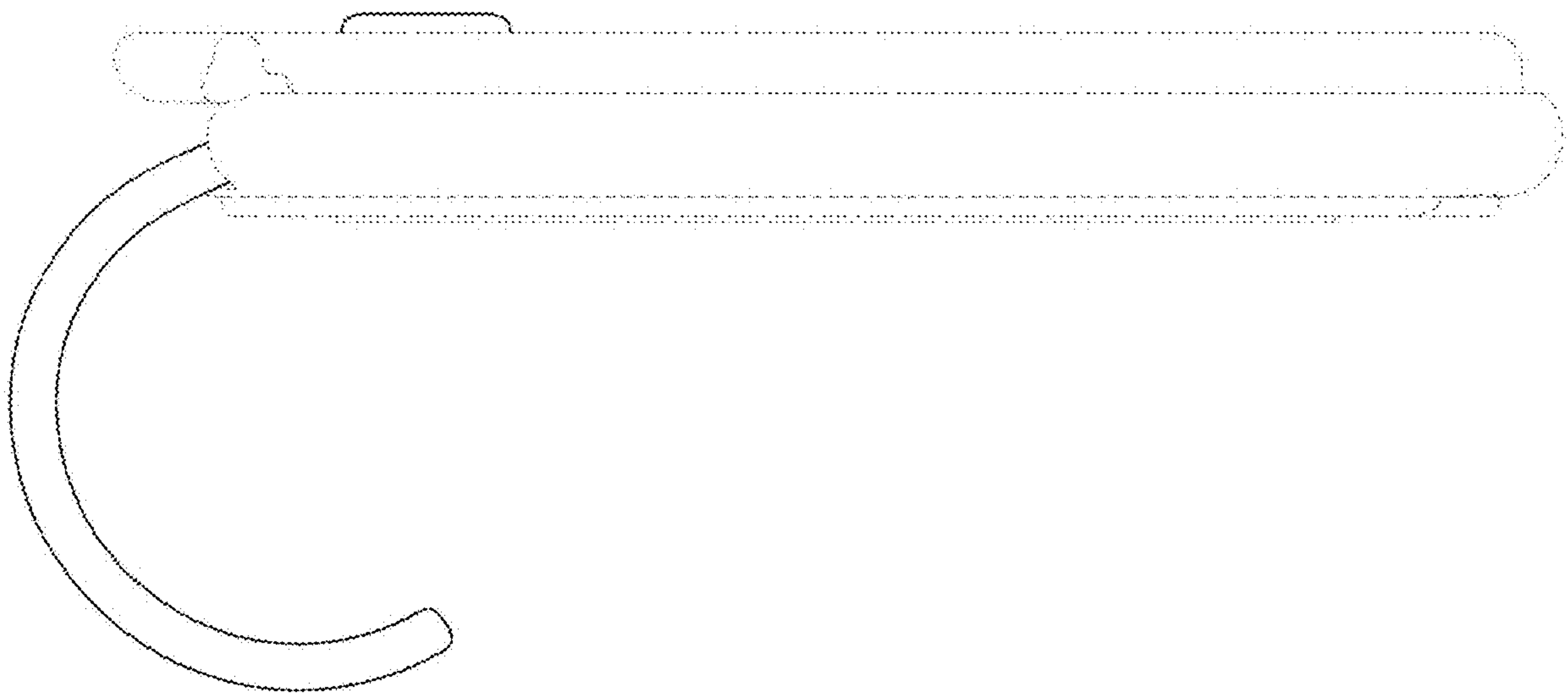
1 Claim, 8 Drawing Sheets



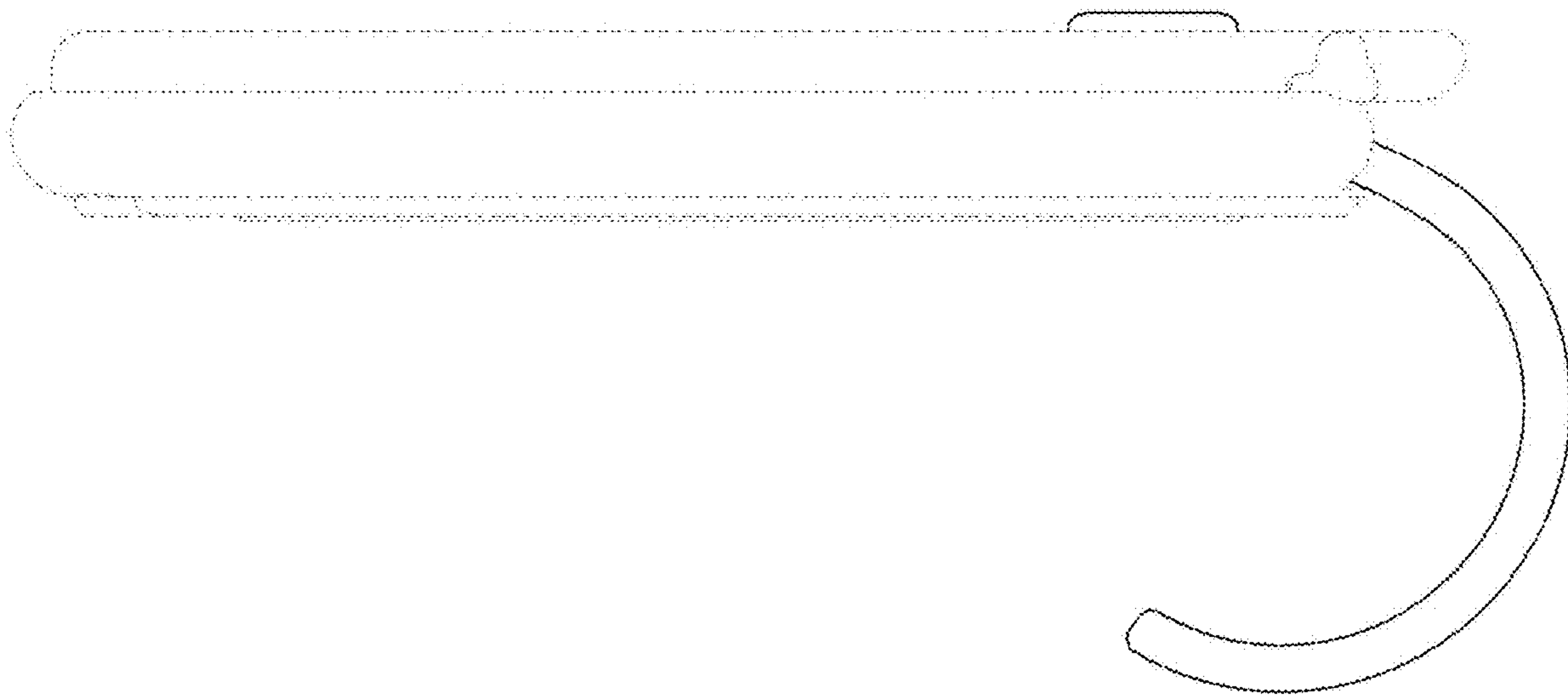
1.1



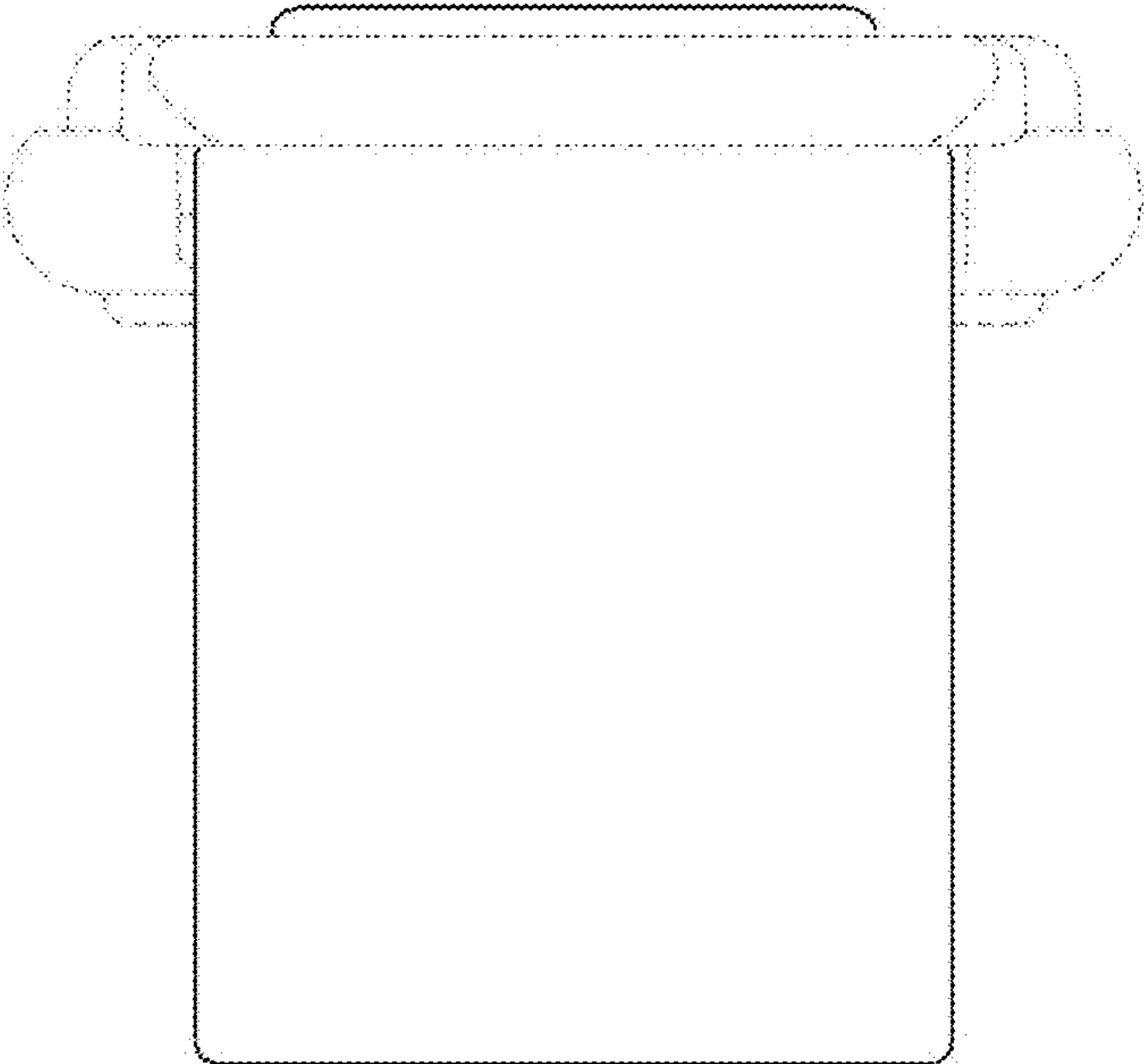
1.2



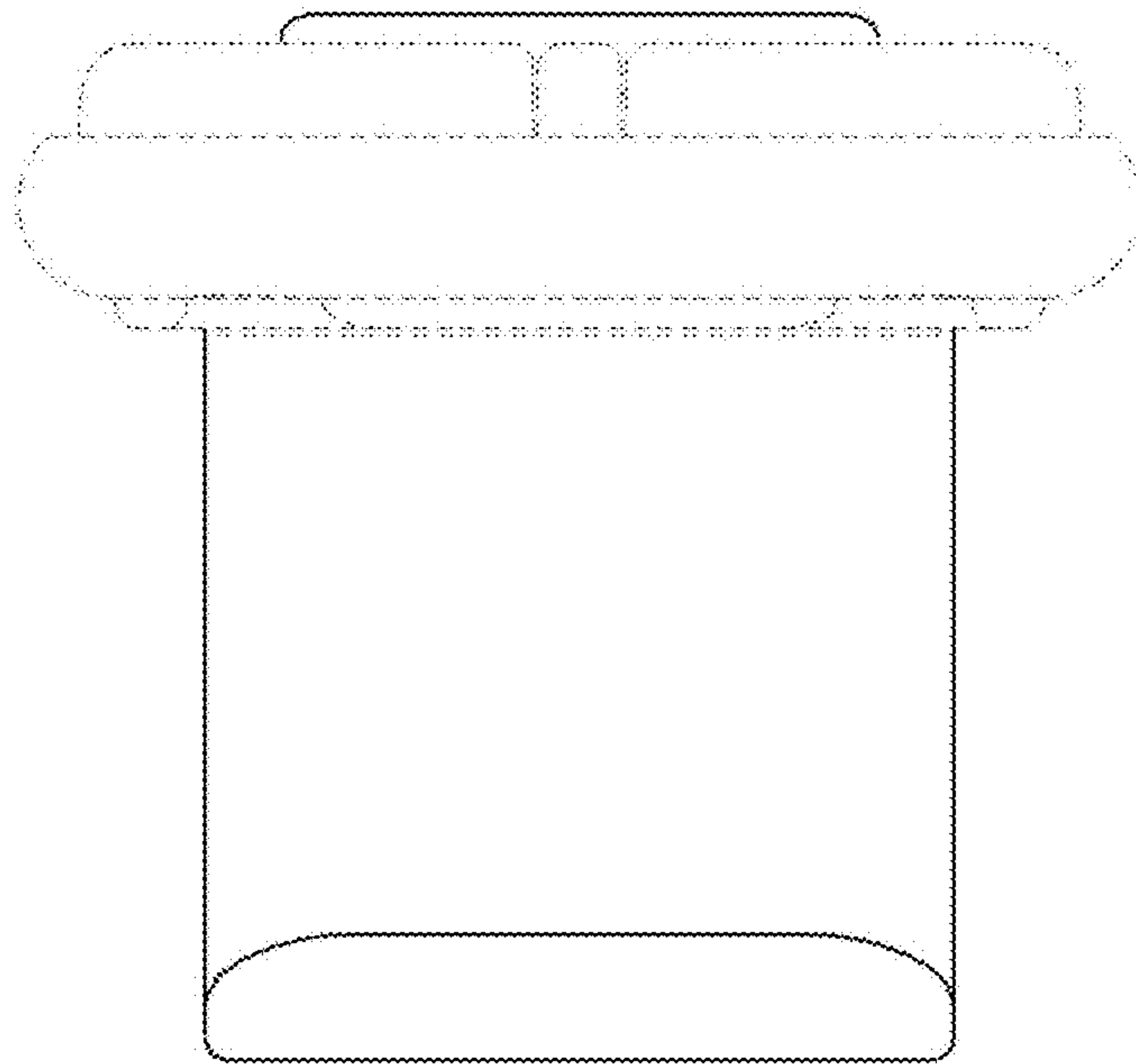
1.3



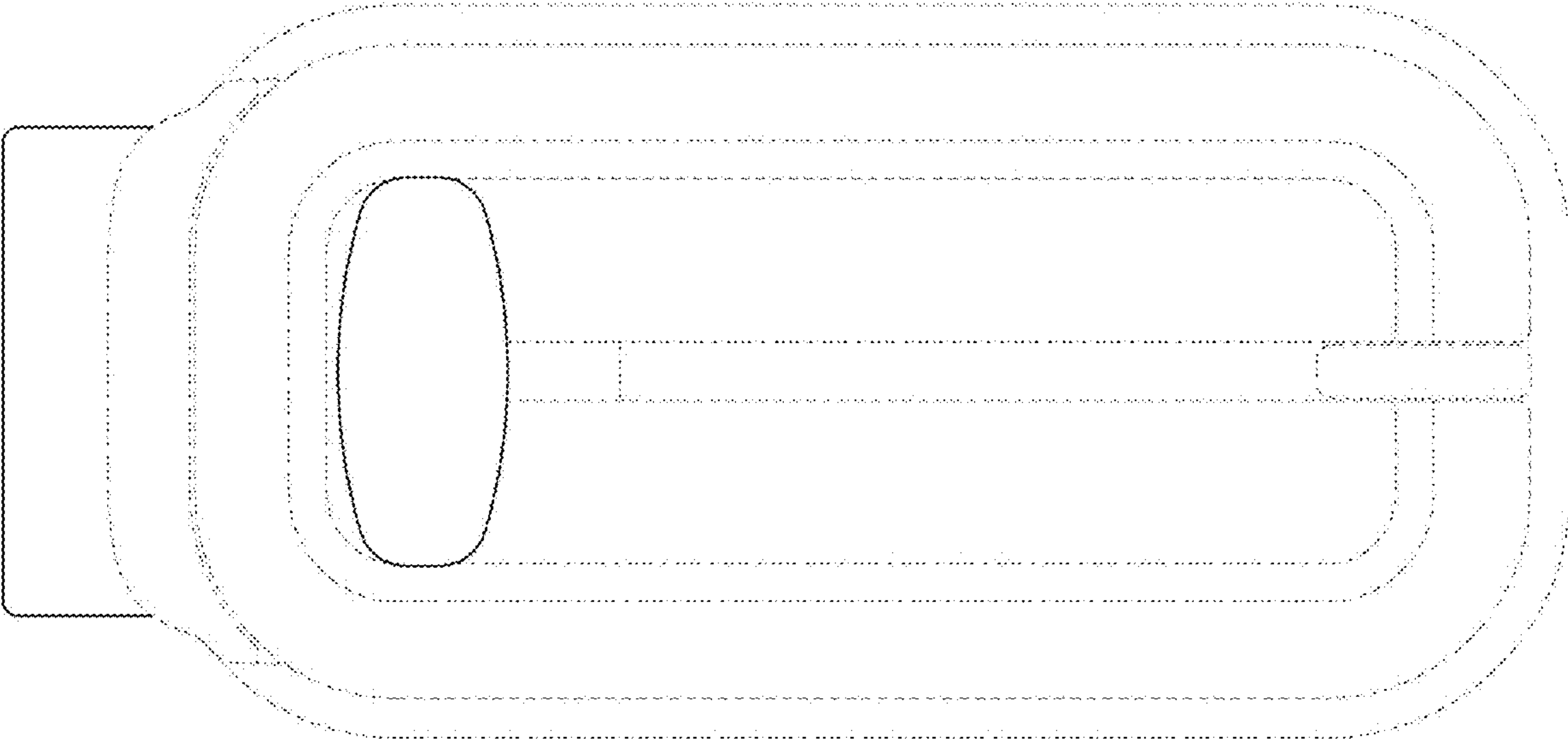
1.4



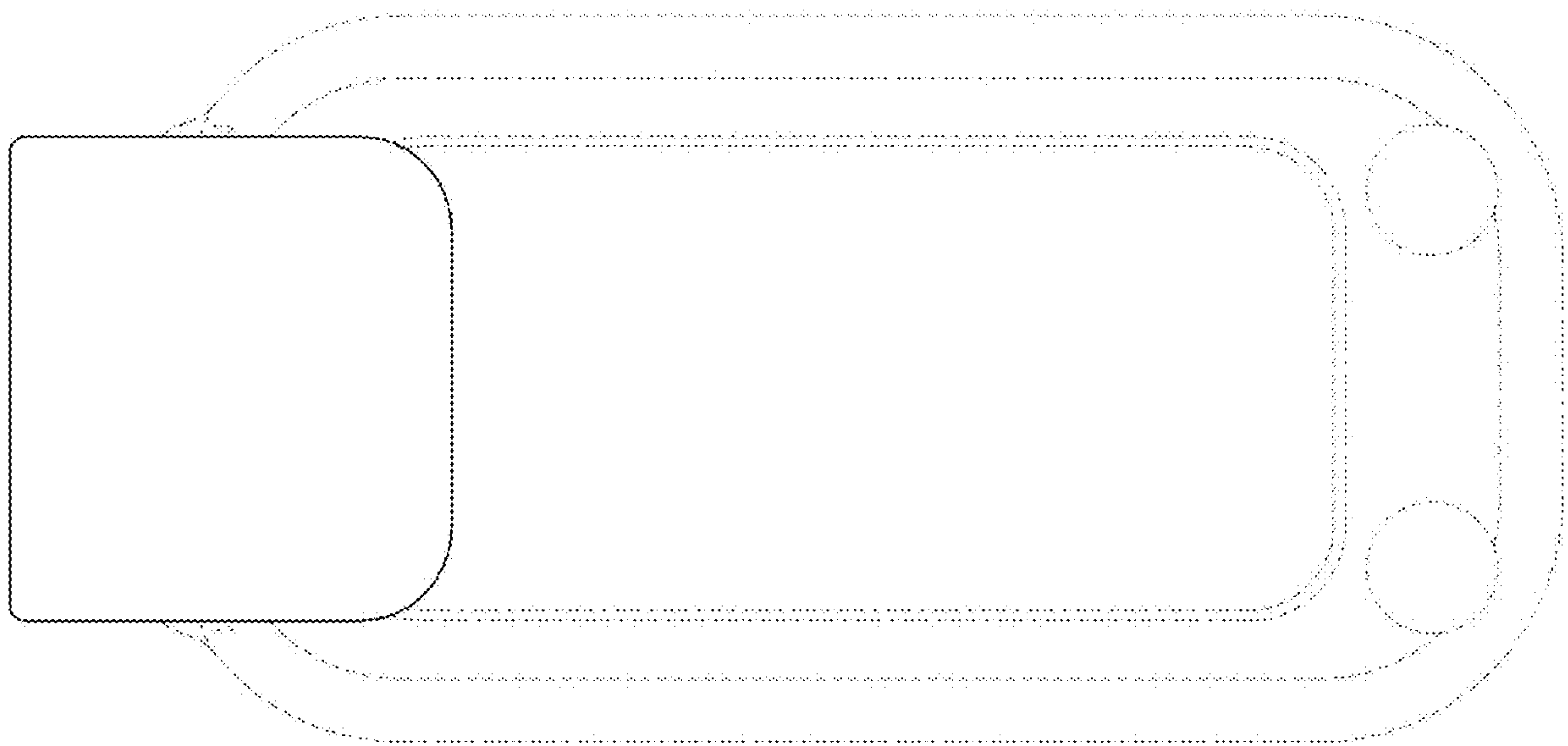
1.5



1.6



1.7



1.8

