



US00D975710S

(12) **United States Design Patent**
Liao

(10) **Patent No.:** **US D975,710 S**
(45) **Date of Patent:** **** Jan. 17, 2023**

(54) **SET OF HANDLE FOR VR GAME CONTROLLER AND PROTECTIVE COVER**

Primary Examiner — Austin Murphy

(71) Applicant: **Huimei Liao**, Shenzhen (CN)

(57) **CLAIM**

(72) Inventor: **Huimei Liao**, Shenzhen (CN)

The ornamental design for a set of handle for VR game controller and protective cover, as shown and described.

(**) Term: **15 Years**

DESCRIPTION

(21) Appl. No.: **29/864,452**

(22) Filed: **May 27, 2022**

(51) **LOC (14) Cl.** **14-02**

(52) **U.S. Cl.**
USPC **D14/372**

(58) **Field of Classification Search**
USPC D14/372, 496, 432, 371, 125, 126, 129,
D14/299; D16/300–342; 351/158, 153,
351/144; 345/7–9, 905; 455/344;
348/115, 53, 121, 739
CPC G02B 27/017; G02B 27/0158; G02B
27/0161; G02B 27/0181; G02B 27/0185;
G02B 27/0189

See application file for complete search history.

(56) **References Cited**

U.S. PATENT DOCUMENTS

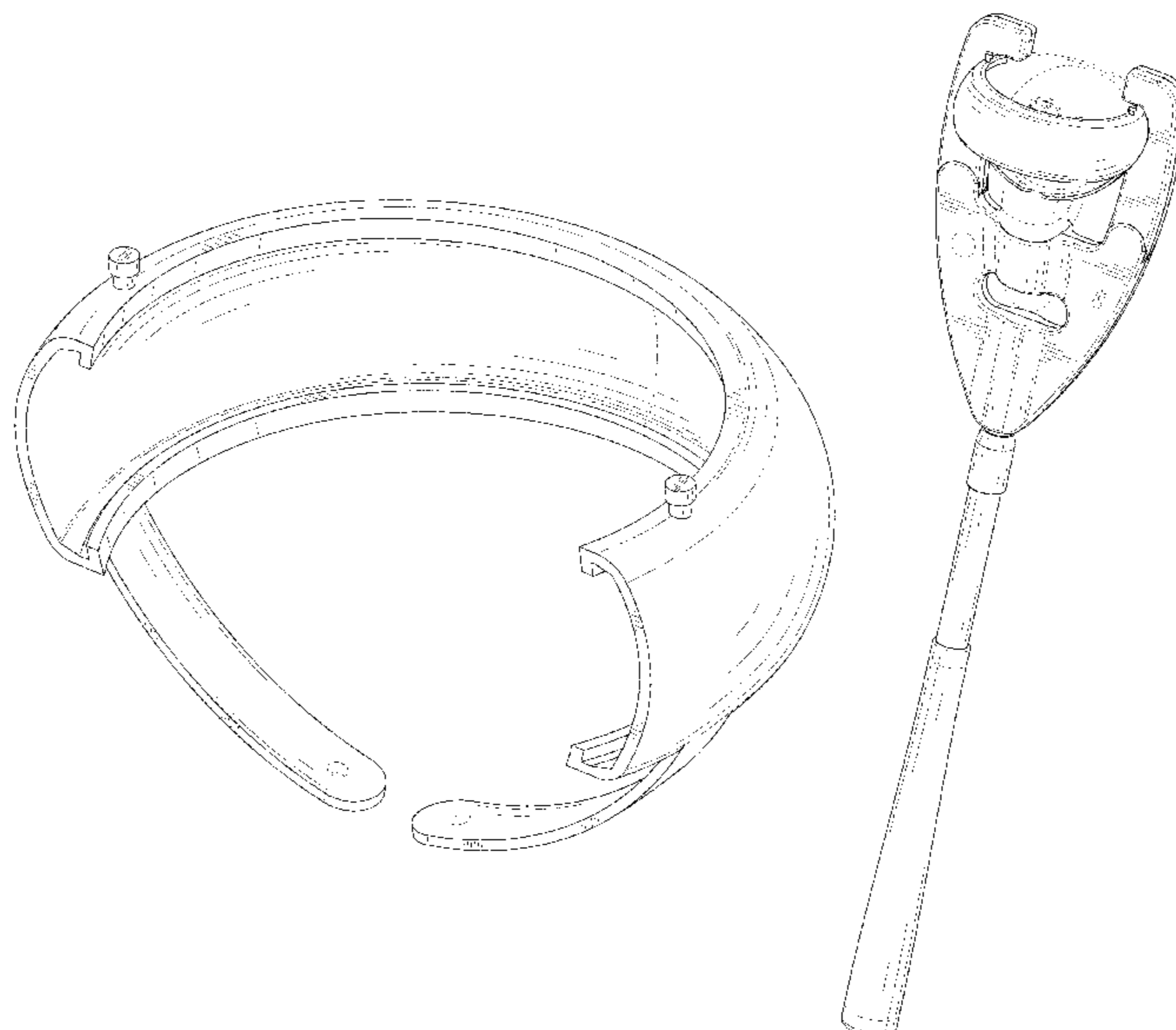
D761,257 S *	7/2016	Passmore	D14/372
D809,517 S *	2/2018	Sakata	D14/372
D867,918 S	11/2019	Wong		
D885,383 S *	5/2020	Chang	D14/372
D904,402 S *	12/2020	Marquis	D14/372
D904,519 S	12/2020	Adams		
D905,166 S	12/2020	Adams		
D916,702 S *	4/2021	Newsom	D14/372
D925,530 S *	7/2021	Morris	D14/372
D928,151 S *	8/2021	Hu	D14/372
D929,991 S *	9/2021	Keller	D14/372
D932,488 S *	10/2021	Huang	D14/372
D939,017 S *	12/2021	Liang	D16/339
D946,756 S	3/2022	Wang		

(Continued)

FIG. 1 is a perspective view of a protective cover of a set of handle for VR game controller and protective cover showing my new design shown separately for ease of illustration; FIG. 2 is another perspective view thereof; FIG. 3 is a front elevational view thereof; FIG. 4 is a rear elevational view thereof; FIG. 5 is a left side elevational view thereof; FIG. 6 is a right side elevational view thereof; FIG. 7 is a top plan view thereof; FIG. 8 is a bottom plan view thereof; FIG. 9 is a perspective view of a handle for VR game controller of the set of handle for VR game controller and protective cover shown separately for ease of illustration; FIG. 10 is another perspective view thereof; FIG. 11 is a front elevational view thereof; FIG. 12 is a rear elevational view thereof; FIG. 13 is a left side elevational view thereof; FIG. 14 is a right side elevational view thereof; FIG. 15 is a top plan view thereof; FIG. 16 is a bottom plan view thereof; and, FIG. 17 is a perspective view of the set of handle for VR game controller and protective cover where the set of handle for VR game controller and protective cover is in a configuration of use.

The broken lines in FIG. 17 showing a VR game controller depict environment and form no part of the claimed design. The other broken lines in the drawings depict portions of the set of handle for VR game controller and protective cover that form no part of the claimed design.

1 Claim, 17 Drawing Sheets



(56)

References Cited

U.S. PATENT DOCUMENTS

D953,328 S *	5/2022	Forsland	D14/372
D956,747 S *	7/2022	Huang	D14/372
D959,427 S *	8/2022	Zhu	D14/372
D963,643 S *	9/2022	Zhu	D14/372

* cited by examiner

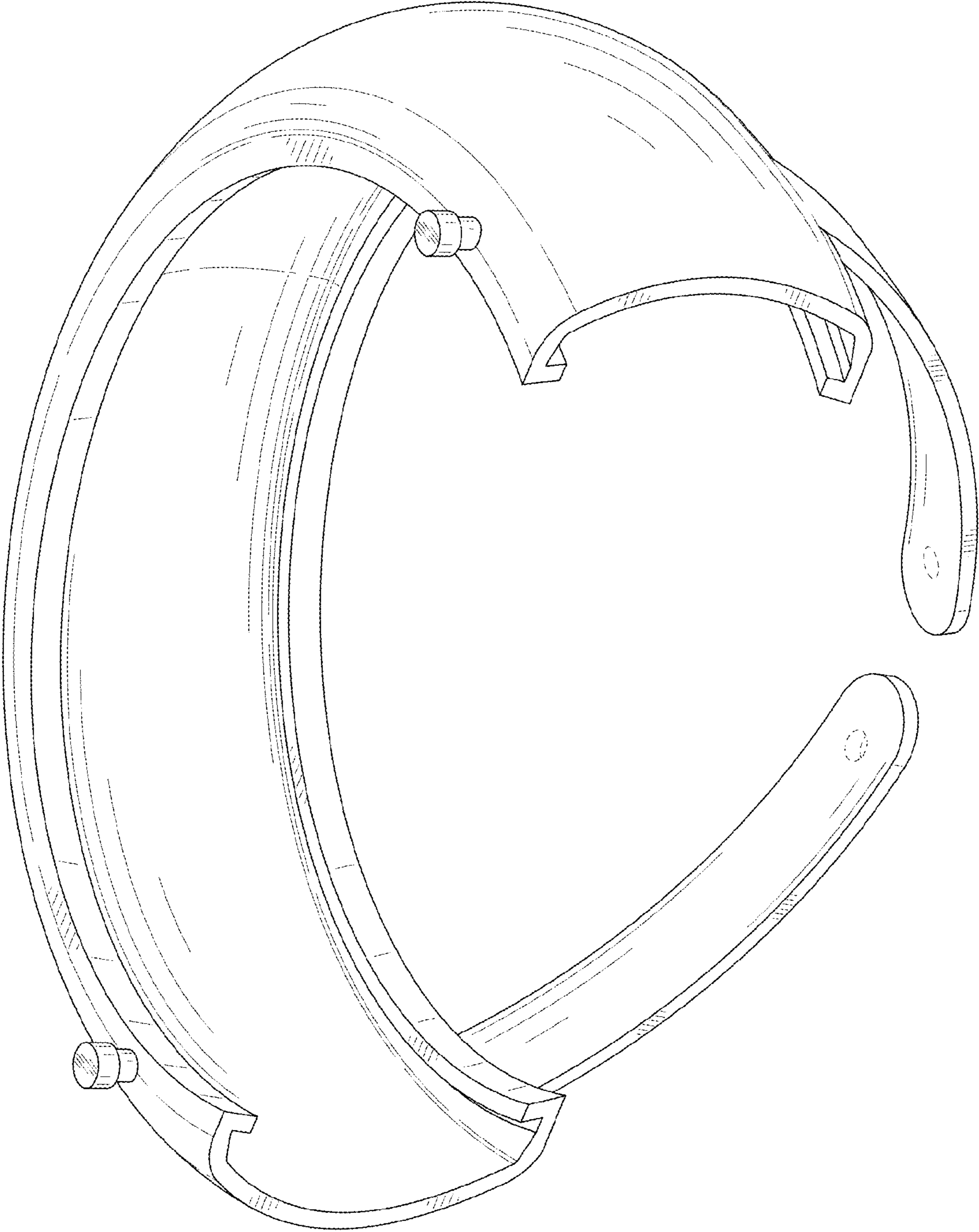


FIG. 1

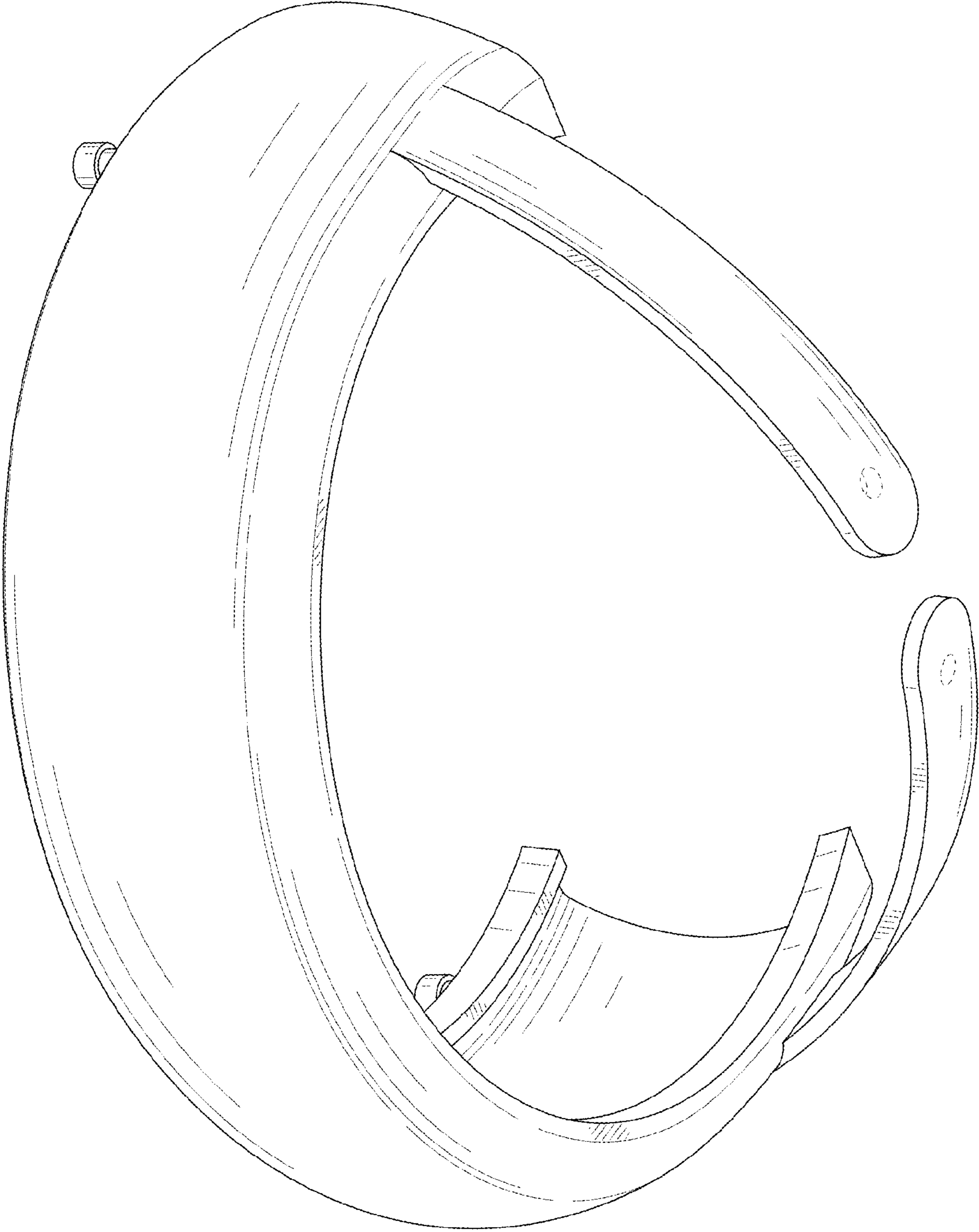


FIG. 2

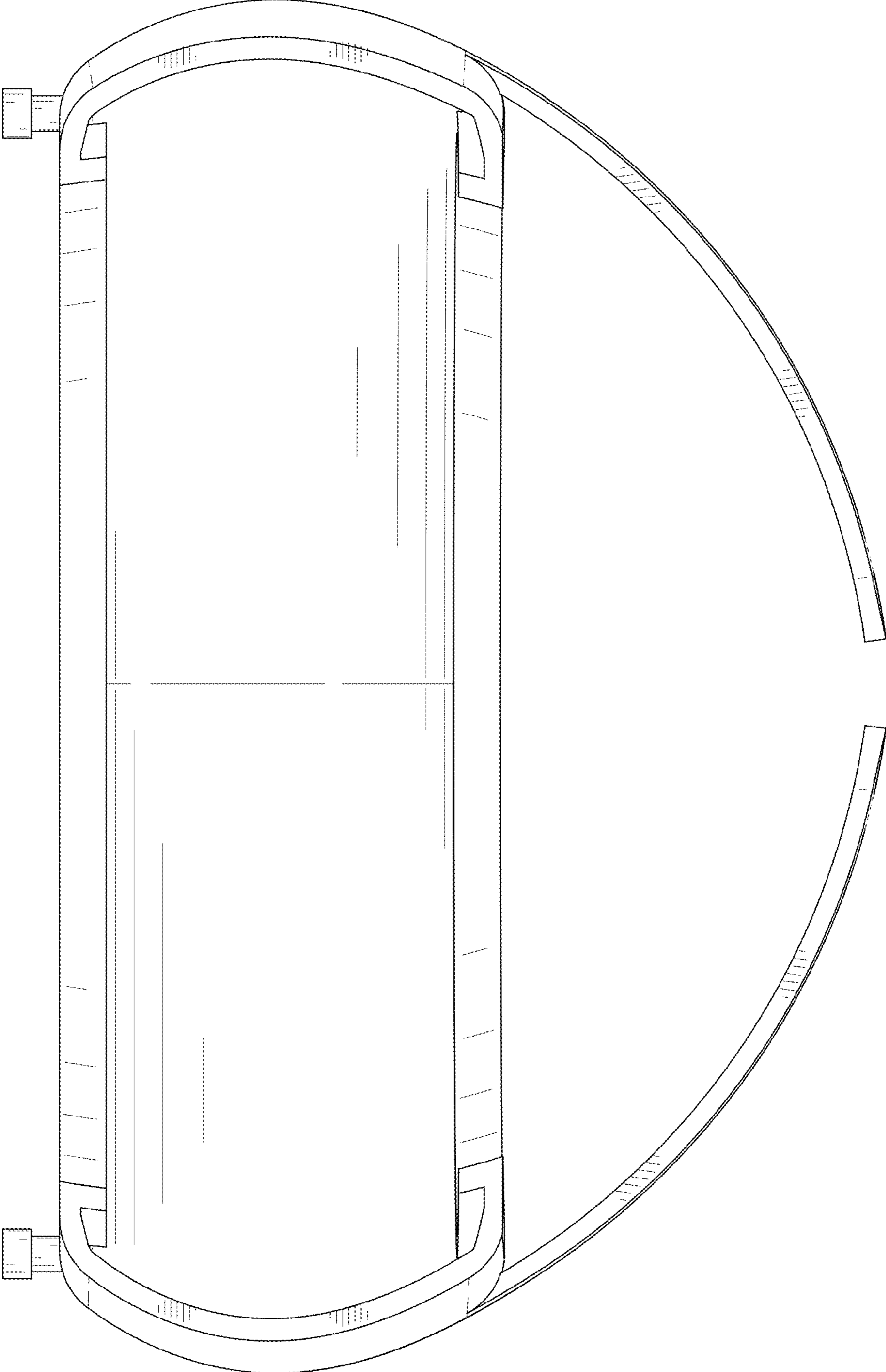


FIG. 3

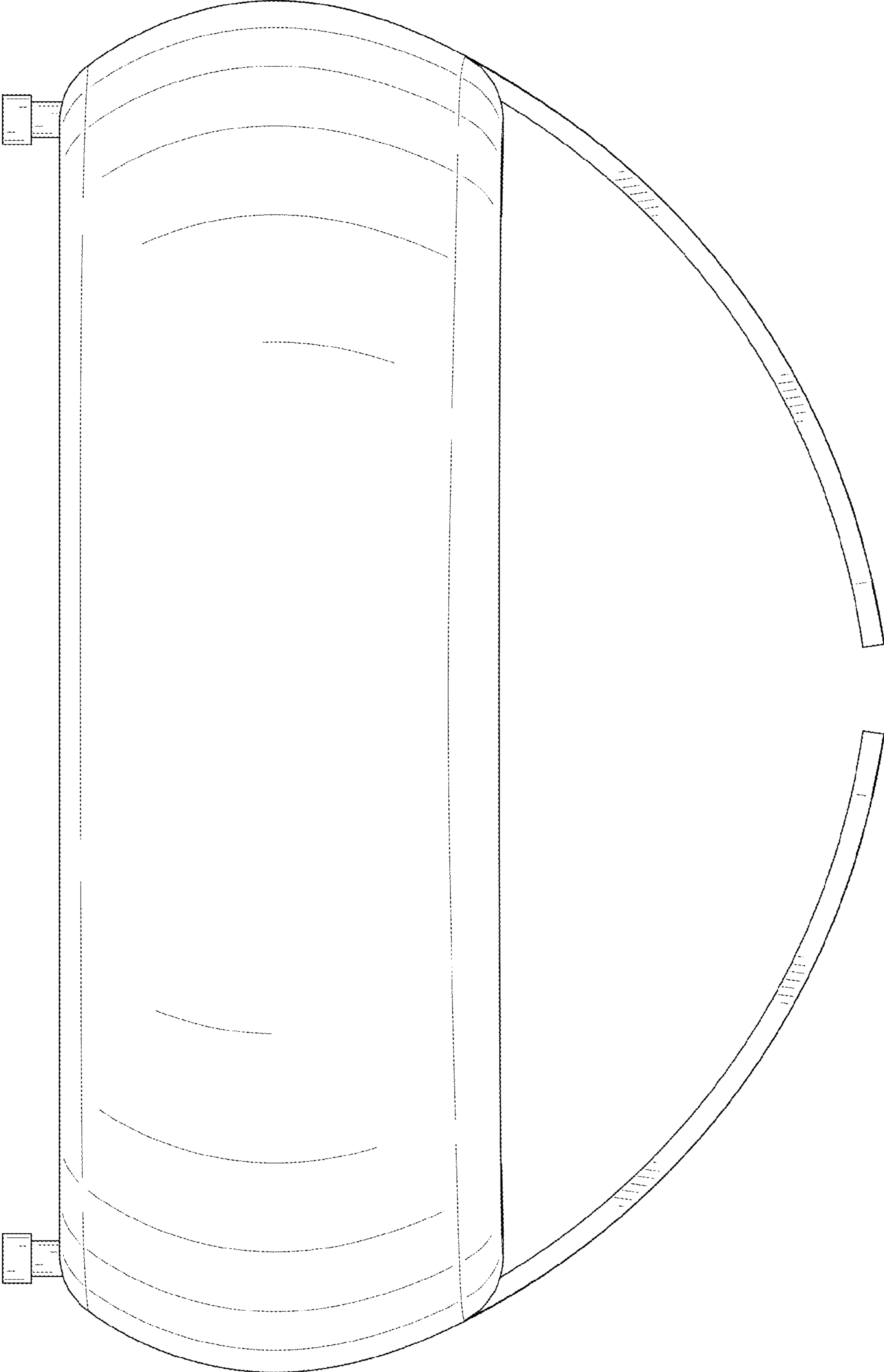


FIG. 4

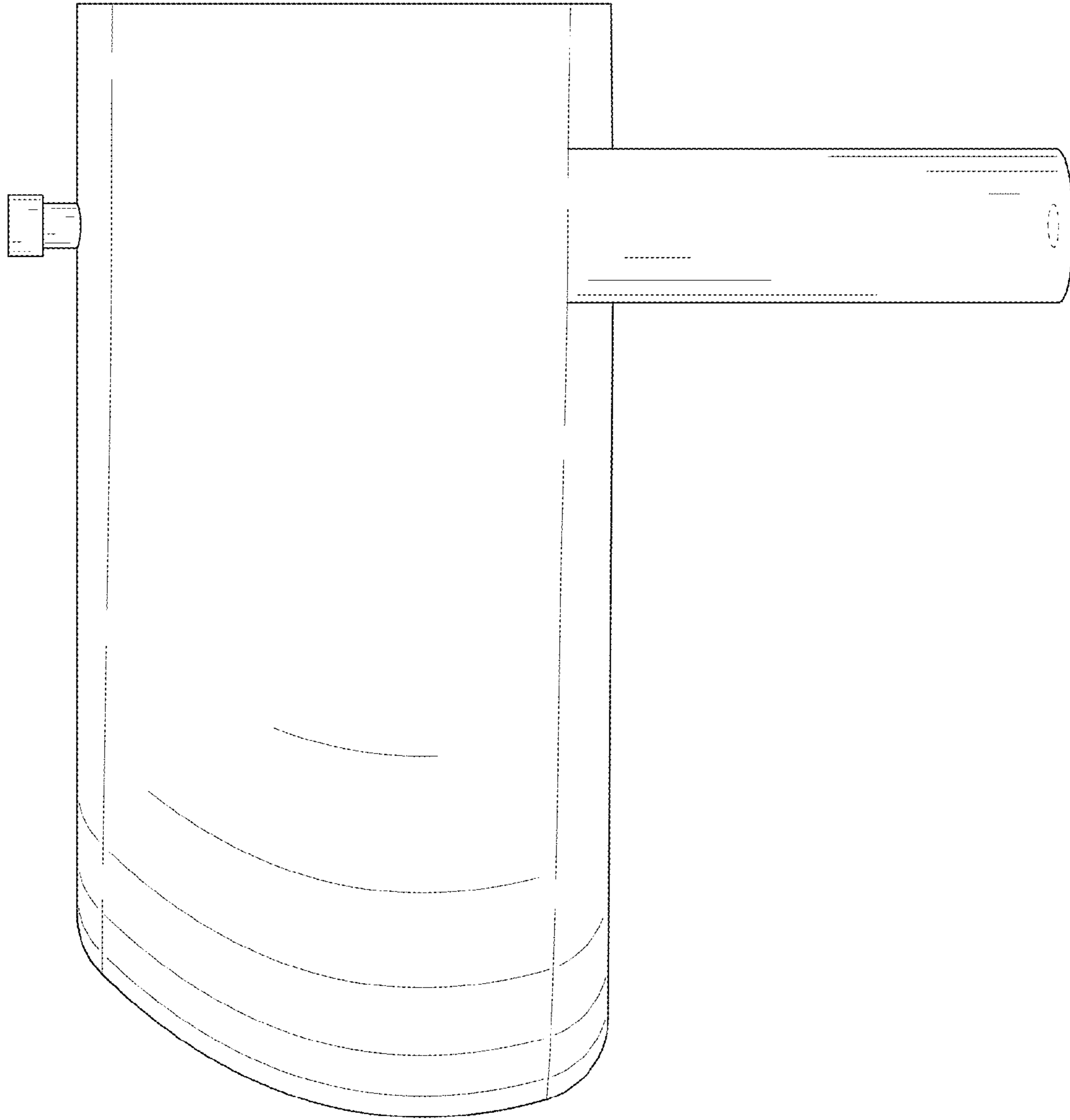


FIG. 5

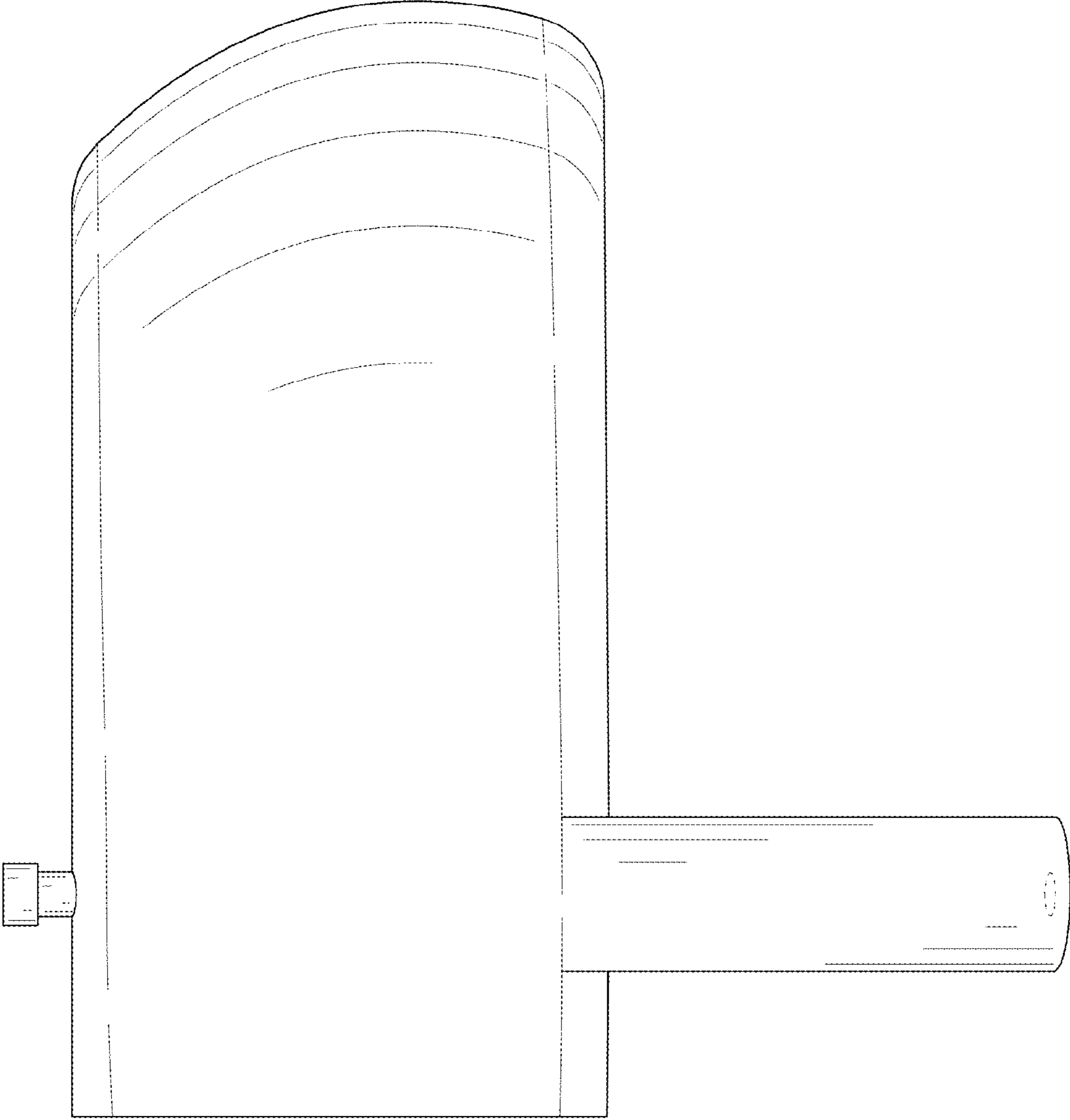


FIG. 6

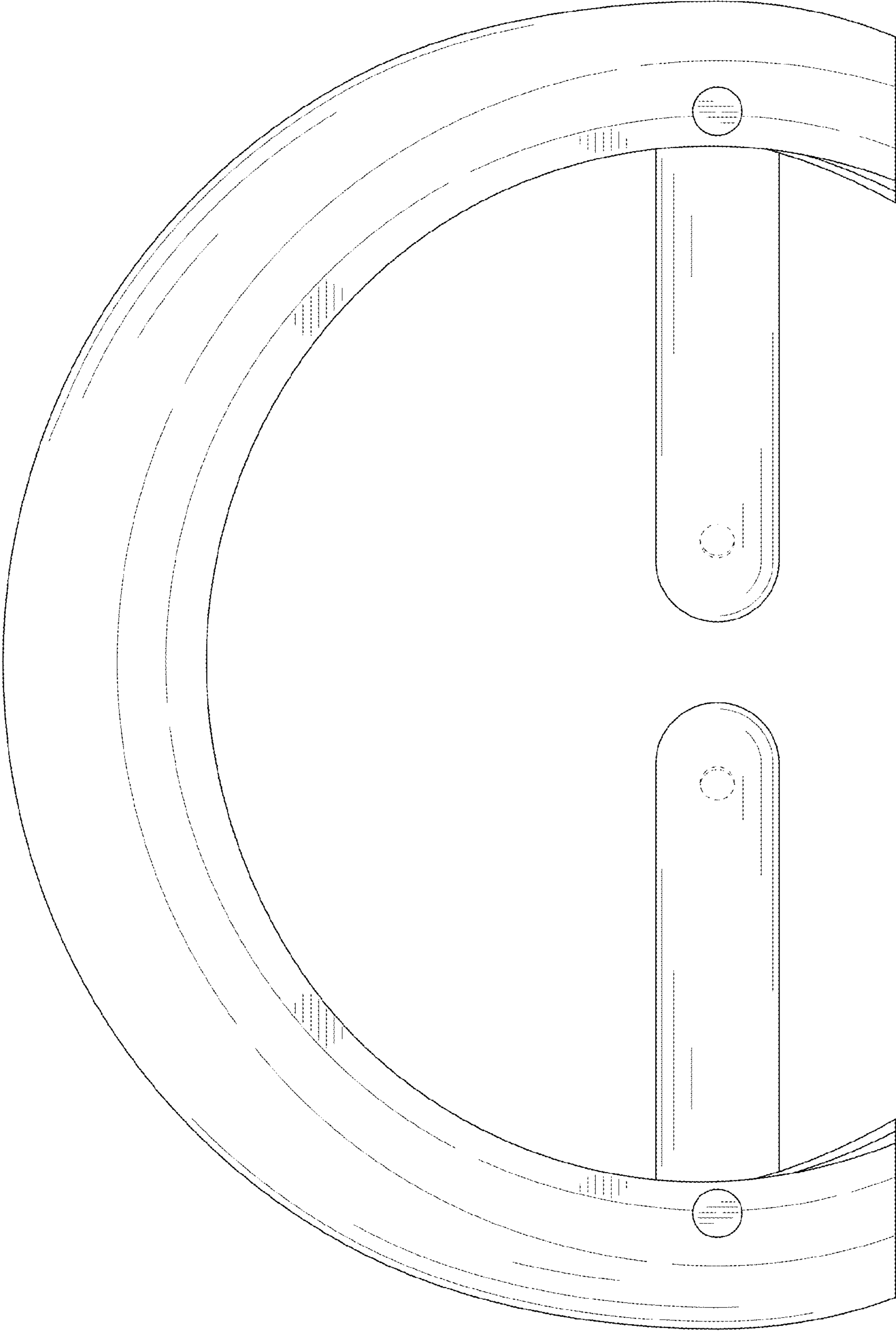


FIG. 7

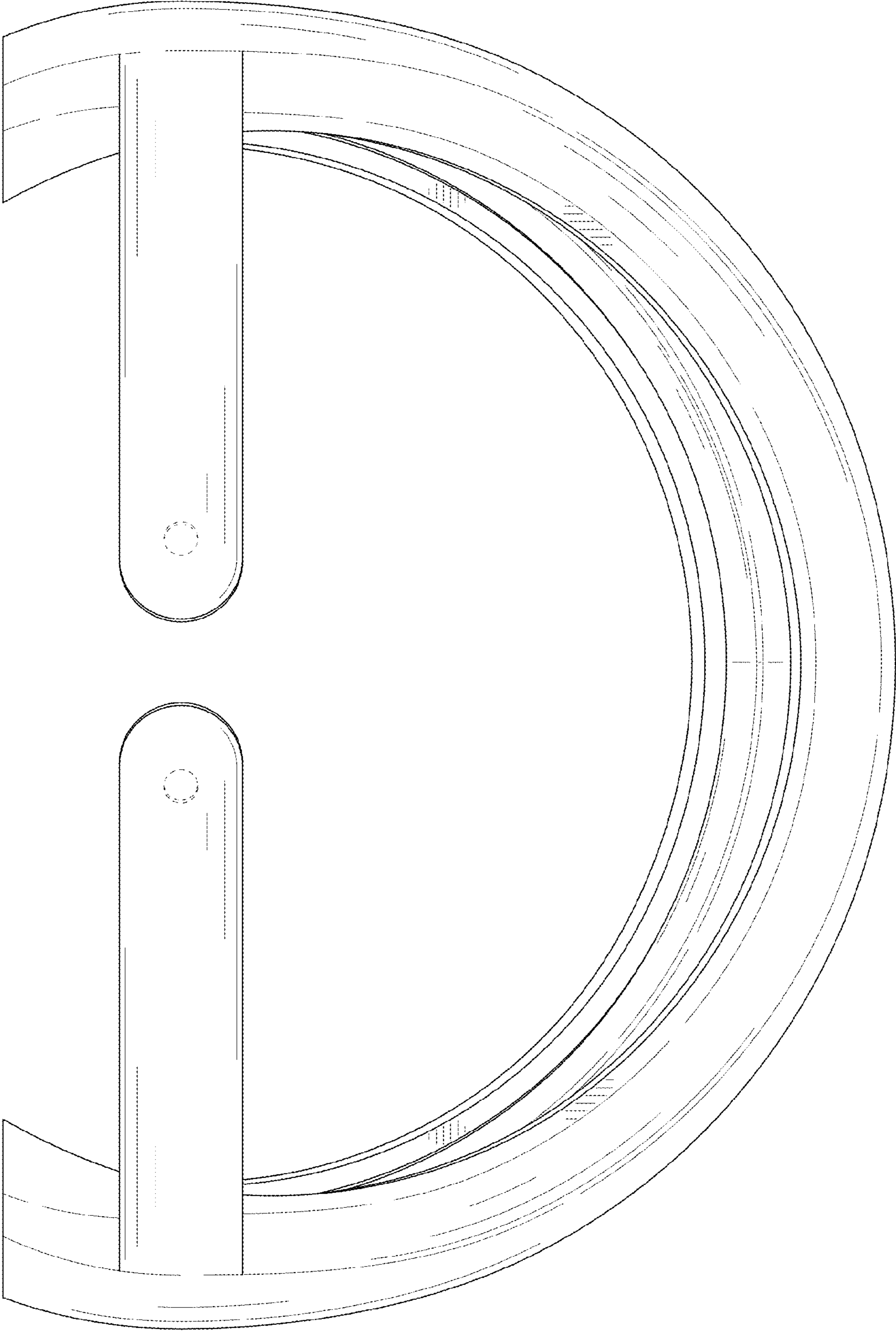


FIG. 8

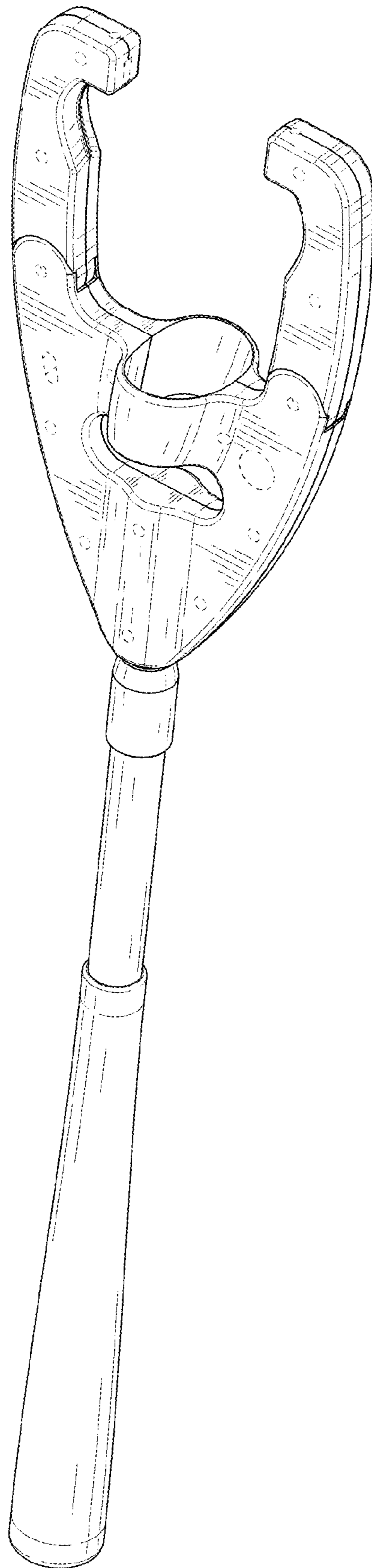


FIG. 9

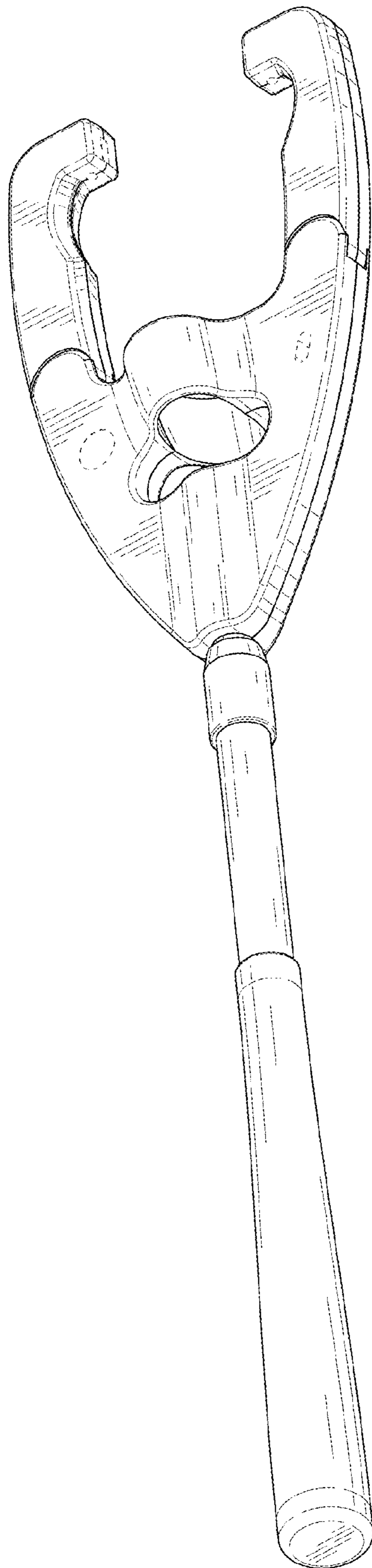


FIG. 10

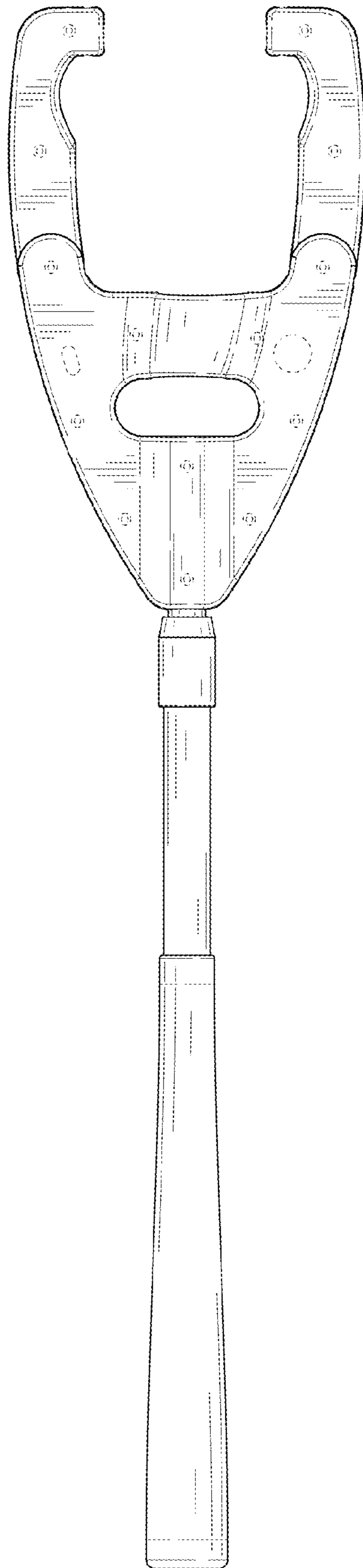


FIG. 11

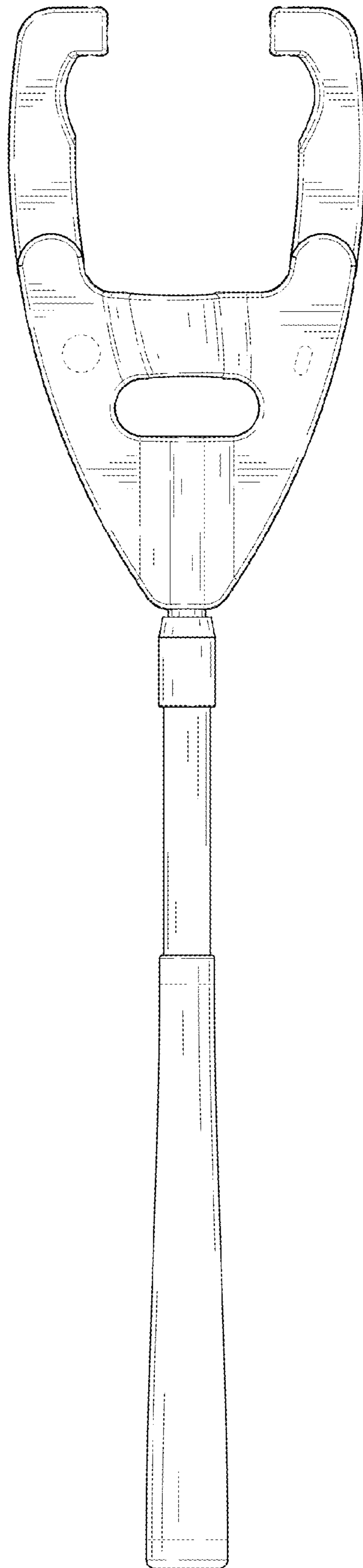


FIG. 12

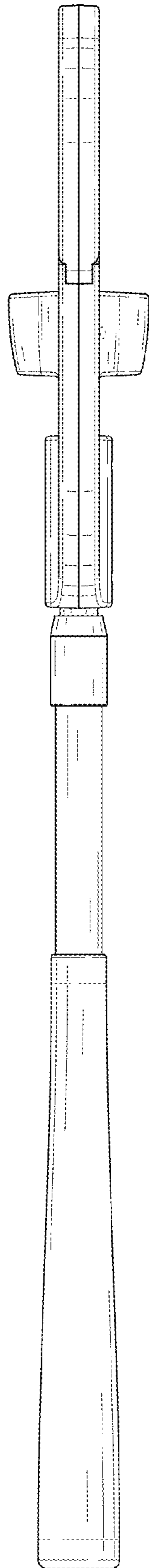


FIG. 13

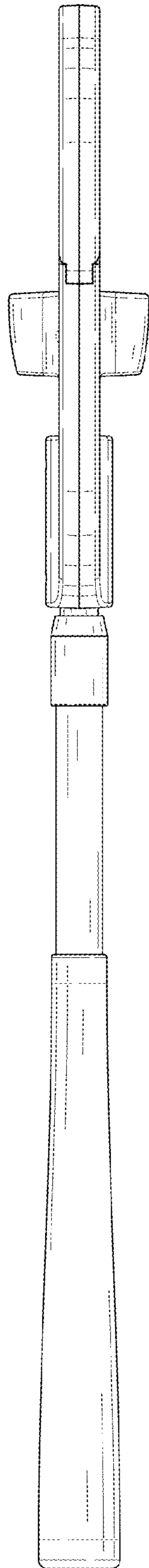


FIG. 14

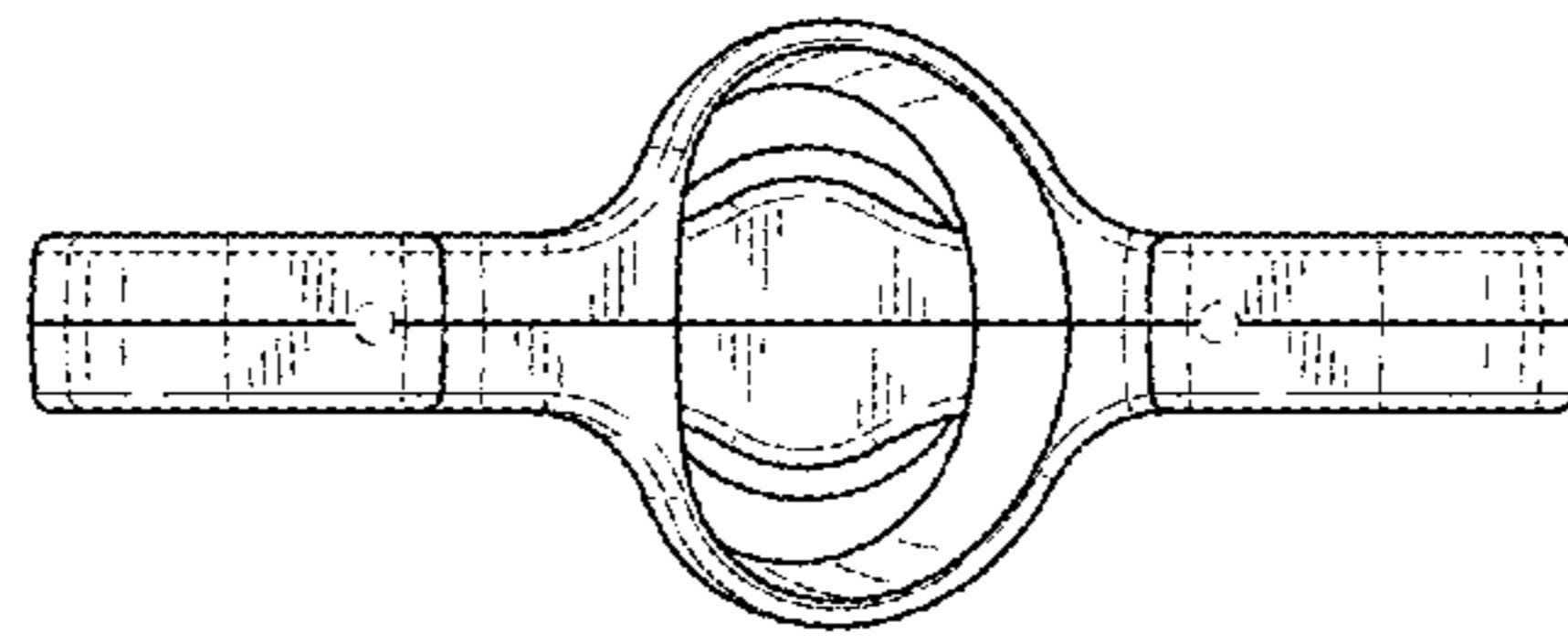


FIG. 15

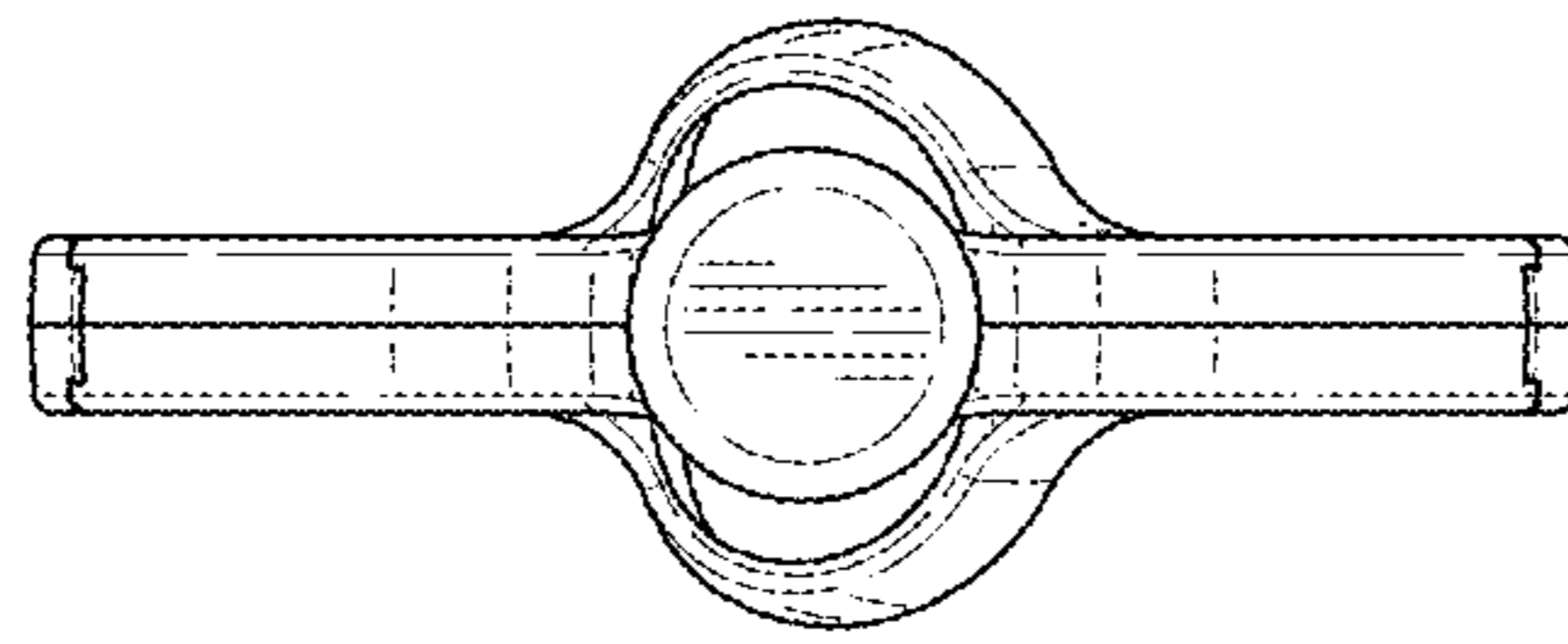


FIG. 16

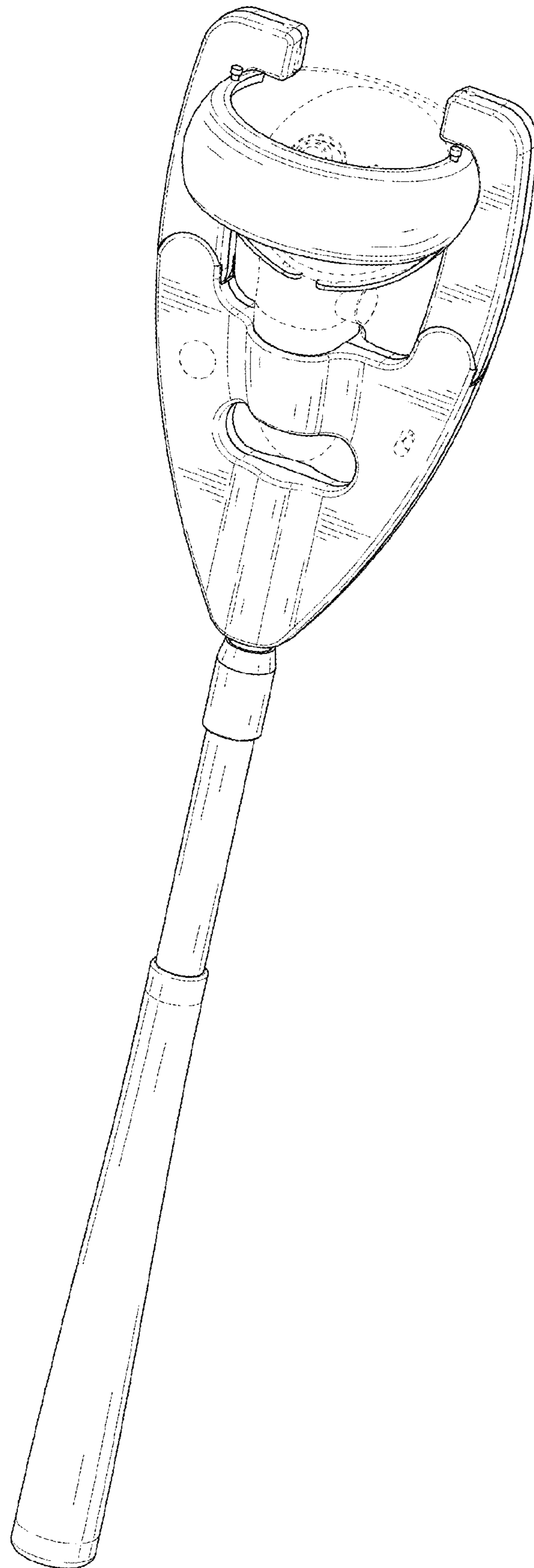


FIG. 17