



US00D975706S

(12) **United States Design Patent** (10) **Patent No.:** **US D975,706 S**
Wang (45) **Date of Patent:** **** Jan. 17, 2023**

(54) **MOBILE PHONE STAND**

(71) Applicant: **Hanping Wang**, Wuhan (CN)

(72) Inventor: **Hanping Wang**, Wuhan (CN)

(**) Term: **15 Years**

(21) Appl. No.: **29/820,970**

(22) Filed: **Dec. 27, 2021**

(30) **Foreign Application Priority Data**

Sep. 16, 2021 (CN) 202130616331.9

(51) **LOC (14) Cl.** **14-03**

(52) **U.S. Cl.**
USPC **D14/253**

(58) **Field of Classification Search**
USPC D14/251–253, 258, 440, 447
CPC H04M 1/04; F16M 13/00; F16M 11/22
See application file for complete search history.

(56) **References Cited**

U.S. PATENT DOCUMENTS

D532,004 S	*	11/2006	Kettula	D14/253
D542,785 S	*	5/2007	Chung	D16/208
D634,315 S	*	3/2011	Nousiainen	D14/253
D658,169 S	*	4/2012	Mo	D14/253
D660,306 S	*	5/2012	Voorhees	D14/238.1
D660,789 S	*	5/2012	Mar	D13/103
D669,890 S	*	10/2012	Hopkins	D14/251
D674,804 S	*	1/2013	Cote	D14/447
D696,671 S	*	12/2013	Carnevali	D14/447
D716,280 S	*	10/2014	Macrina	D14/250
D719,951 S	*	12/2014	Fenton	D14/253
D730,889 S	*	6/2015	Leibenhaut	D14/253
D731,474 S	*	6/2015	Leibenhaut	D14/253
D770,171 S	*	11/2016	Lai	D3/218
D871,755 S	*	1/2020	Park	D3/218
D889,819 S	*	7/2020	Feng	D14/447
D897,268 S	*	9/2020	Lee	D12/317
D898,730 S		10/2020	Comelek		

(Continued)

OTHER PUBLICATIONS

Carsoda website 2022, Minicooper phone holder mat, site visited Nov. 4, 2022, https://www.carsoda.com/products/car-dashboard-bling-bling-anti-slip-mat-mobile-phone-holder-for-mini-cooper?variant.*

Primary Examiner — John R Yeh

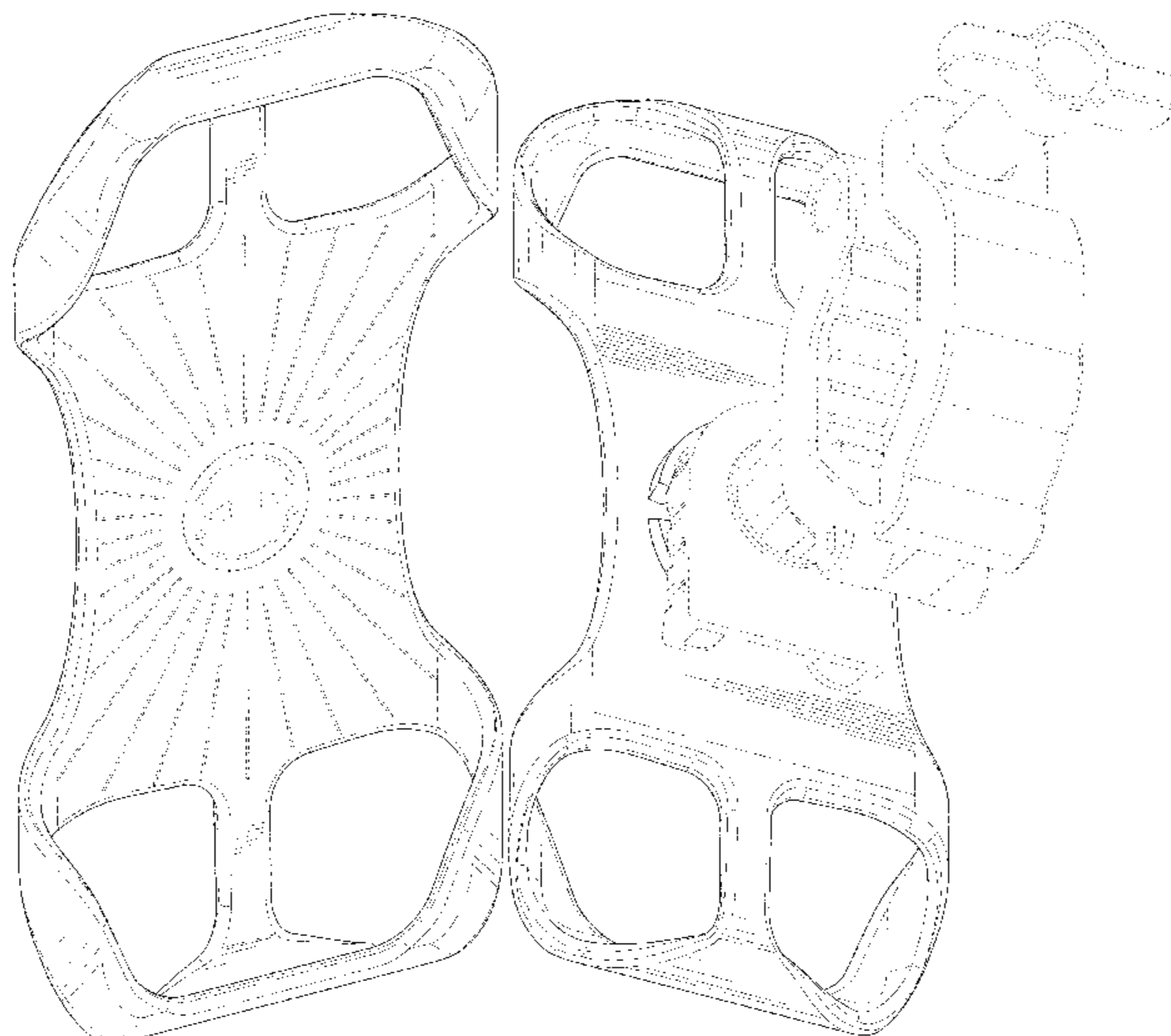
(57) **CLAIM**

The ornamental design for a mobile phone stand, as shown and described.

DESCRIPTION

FIG. 1 is a perspective view of a mobile phone stand showing my new design;
FIG. 2 is another perspective view thereof;
FIG. 3 is a front elevational view thereof;
FIG. 4 is a rear elevational view thereof;
FIG. 5 is a left side elevational view thereof;
FIG. 6 is a right side elevational view thereof;
FIG. 7 is a top plan view thereof;
FIG. 8 is a bottom plan view thereof;
FIG. 9 is a perspective view of the mobile phone stand where the mobile phone stand is in a first configuration of use;
FIG. 10 is a perspective view of the mobile phone stand where the mobile phone stand is in a second configuration of use;
FIG. 11 is a perspective view of the mobile phone stand where the mobile phone stand is in a third configuration of use; and,
FIG. 12 is an enlarged view of portion 12 shown in FIG. 2. The dash-dash broken lines in the drawings depict portions of the mobile phone stand that form no part of the claimed design. The dot-dash broken lines represent the boundary of the enlarged portion and form no part of the claimed design.

1 Claim, 12 Drawing Sheets



(56)

References Cited

U.S. PATENT DOCUMENTS

D929,391	S	8/2021	Chen	
D936,645	S	* 11/2021	Deng D12/114
2009/0230161	A1	* 9/2009	Emsky F16M 11/10 16/365

* cited by examiner

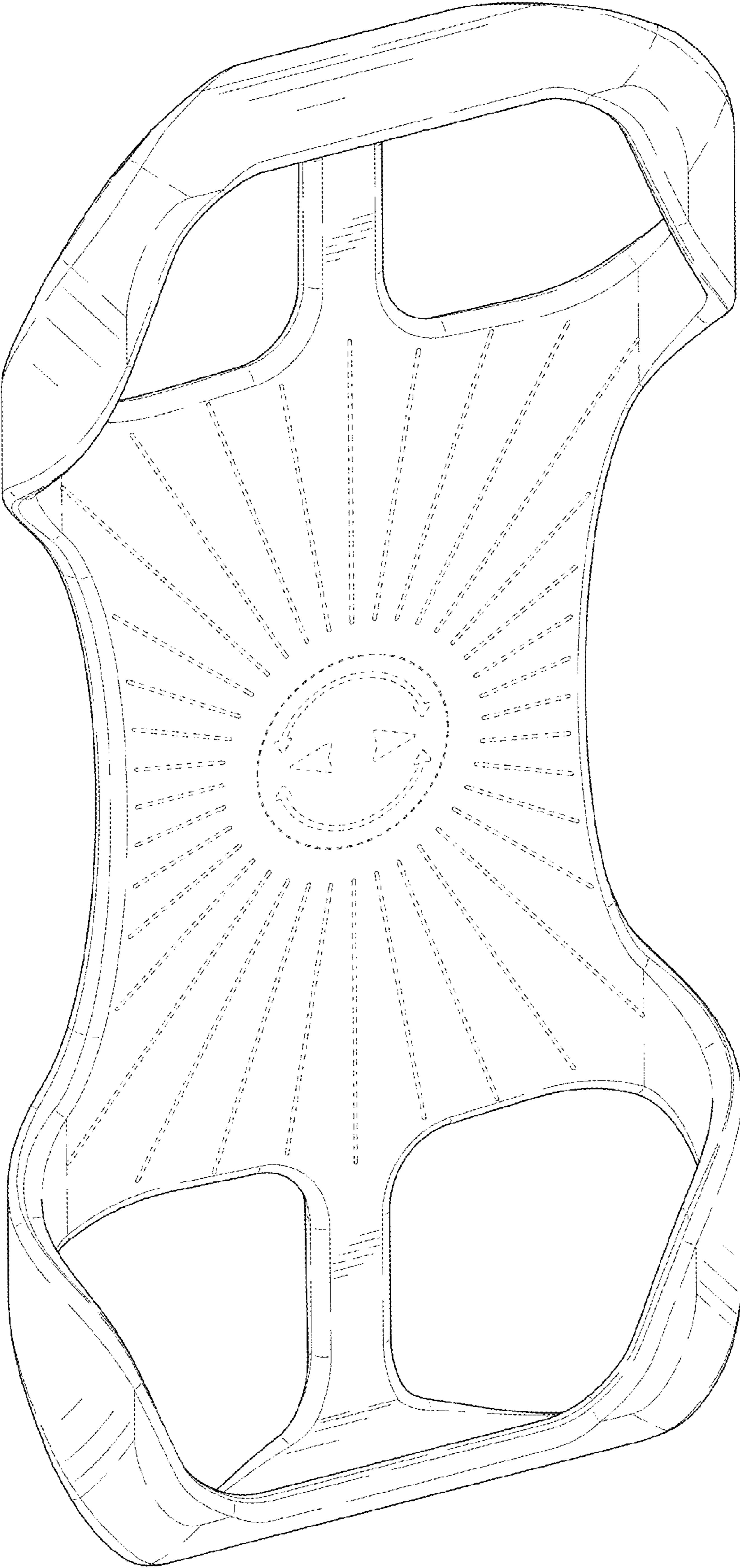


FIG. 1

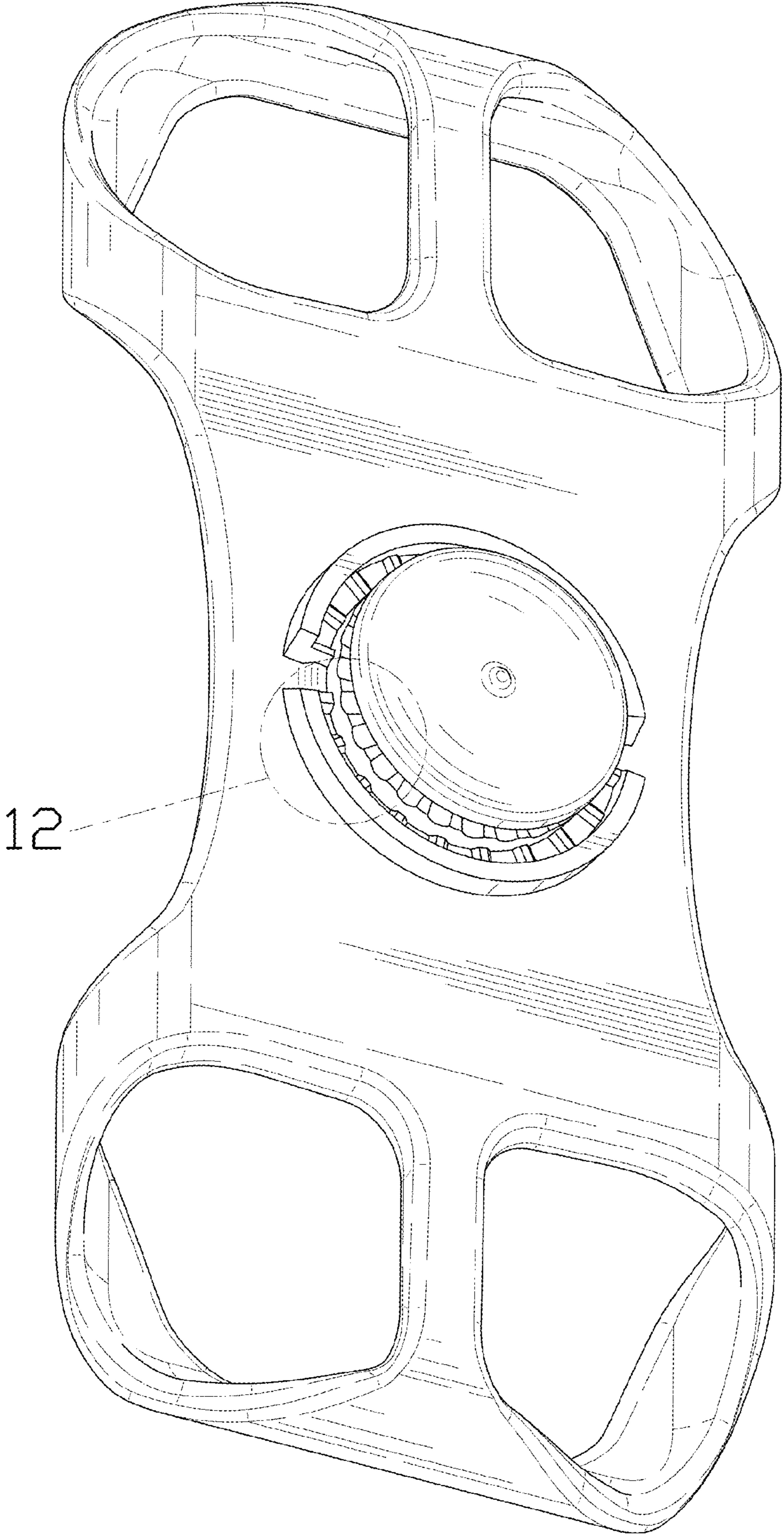


FIG. 2

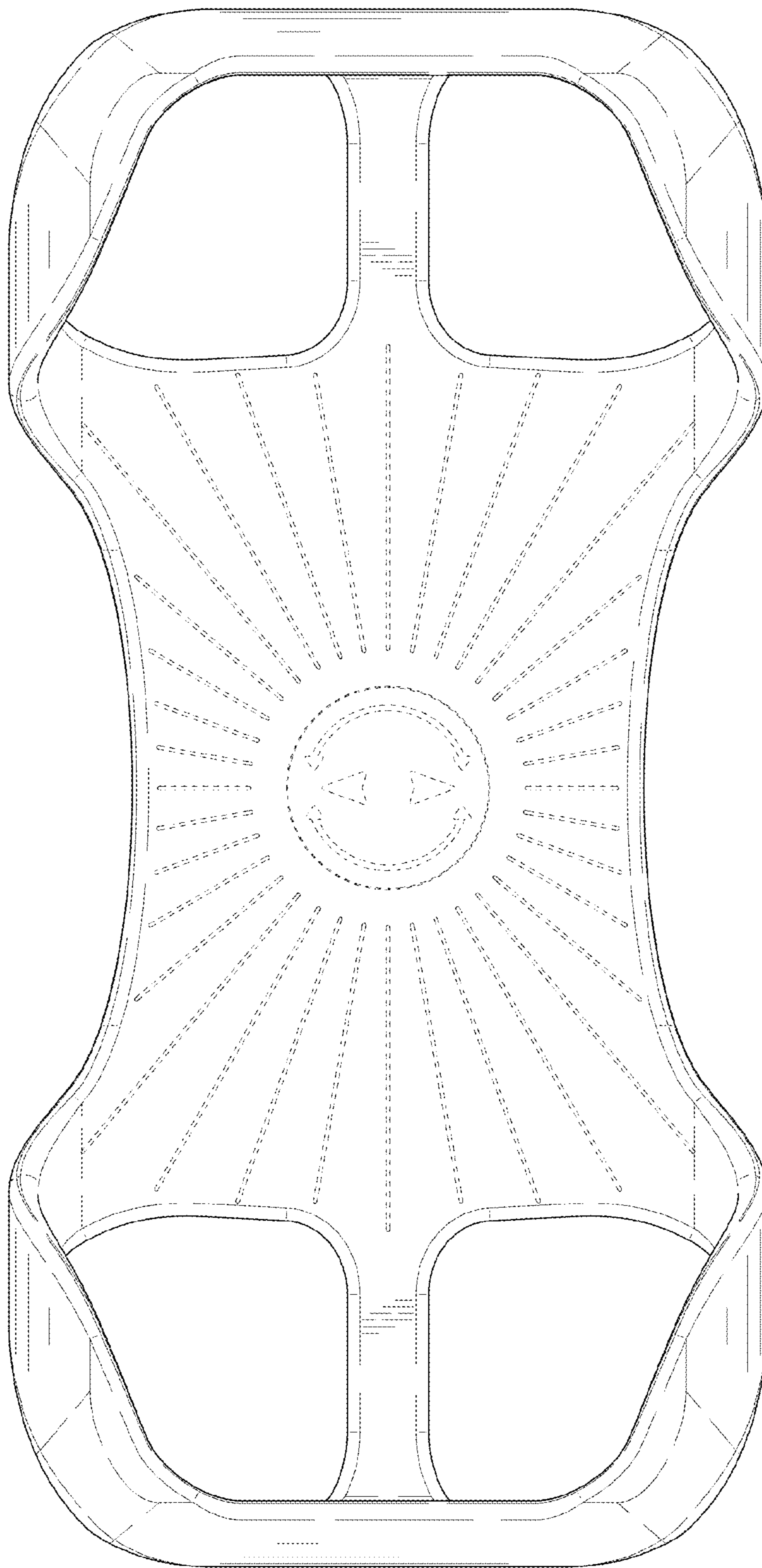


FIG. 3

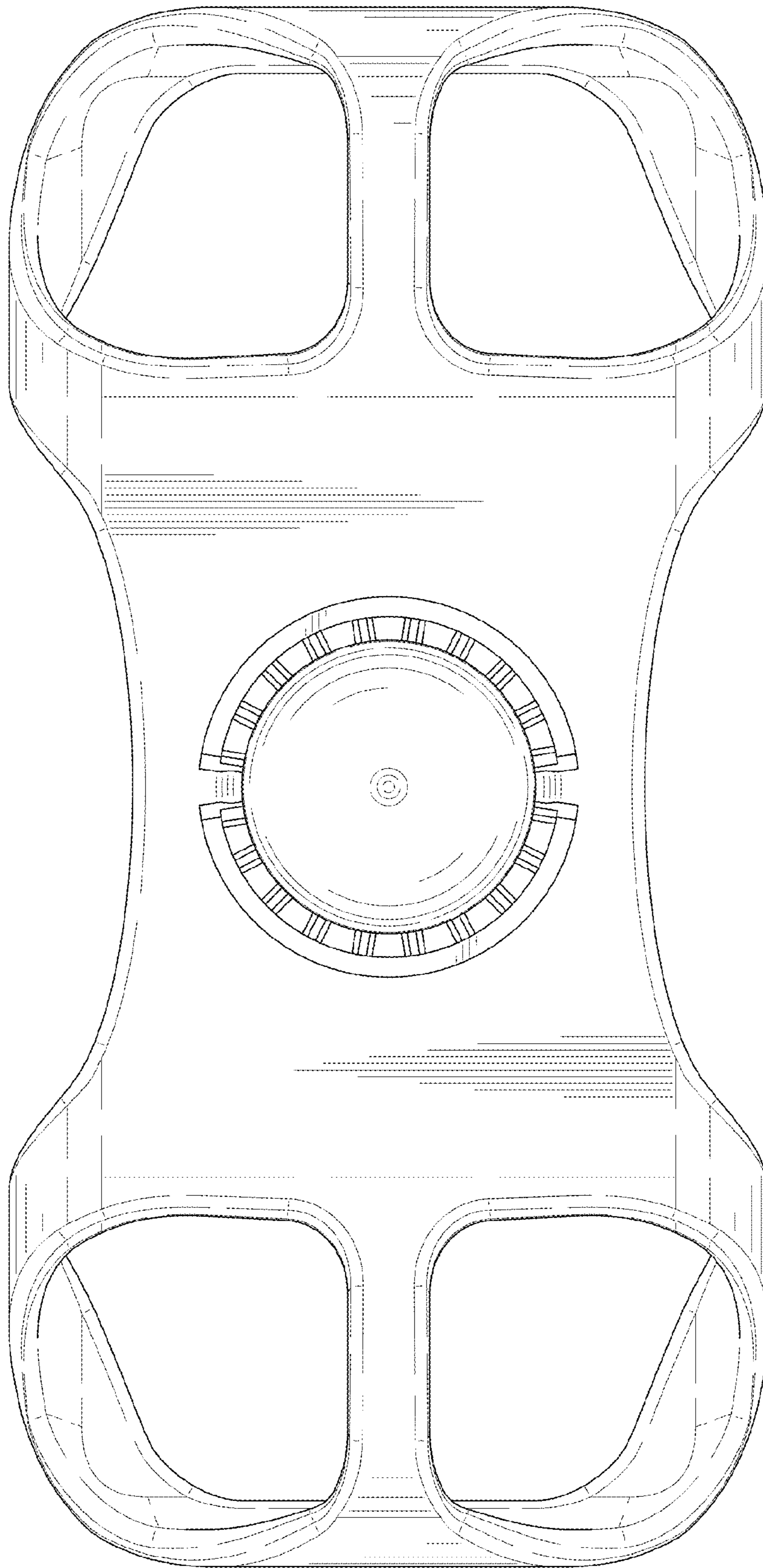


FIG. 4

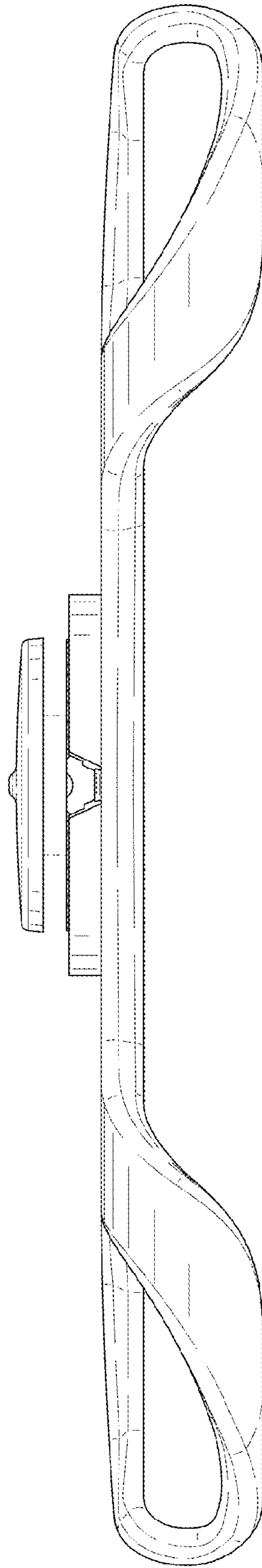


FIG. 5

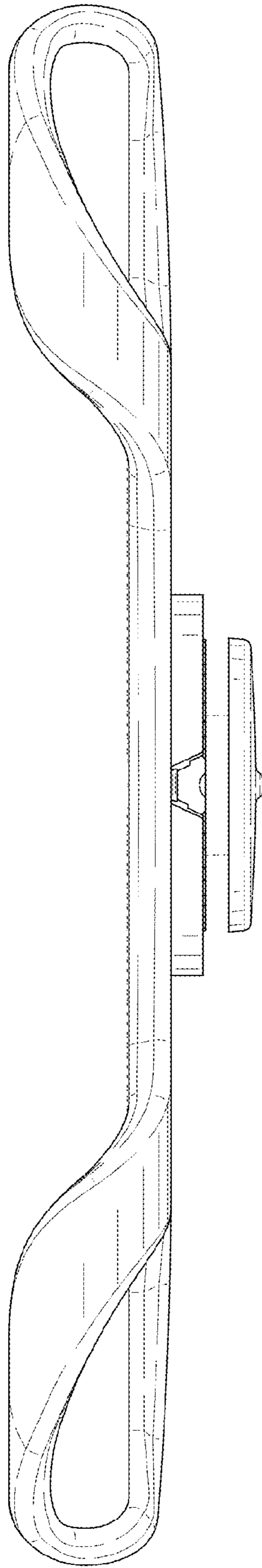


FIG. 6

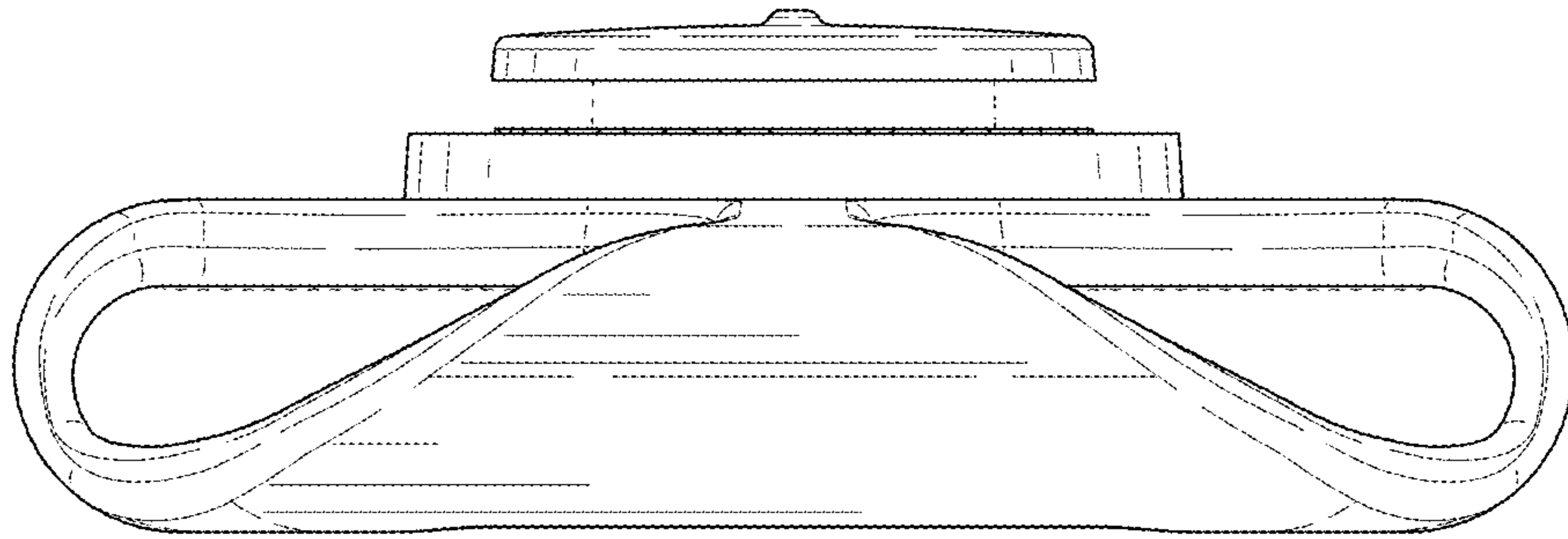


FIG. 7

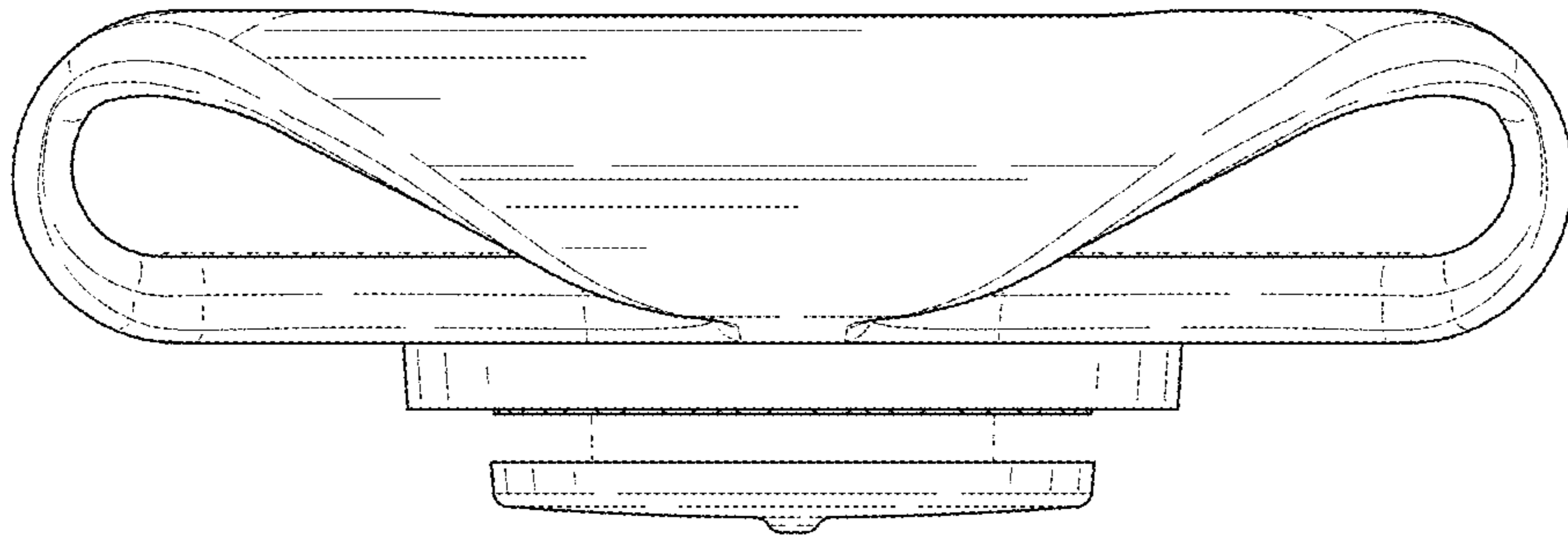


FIG. 8

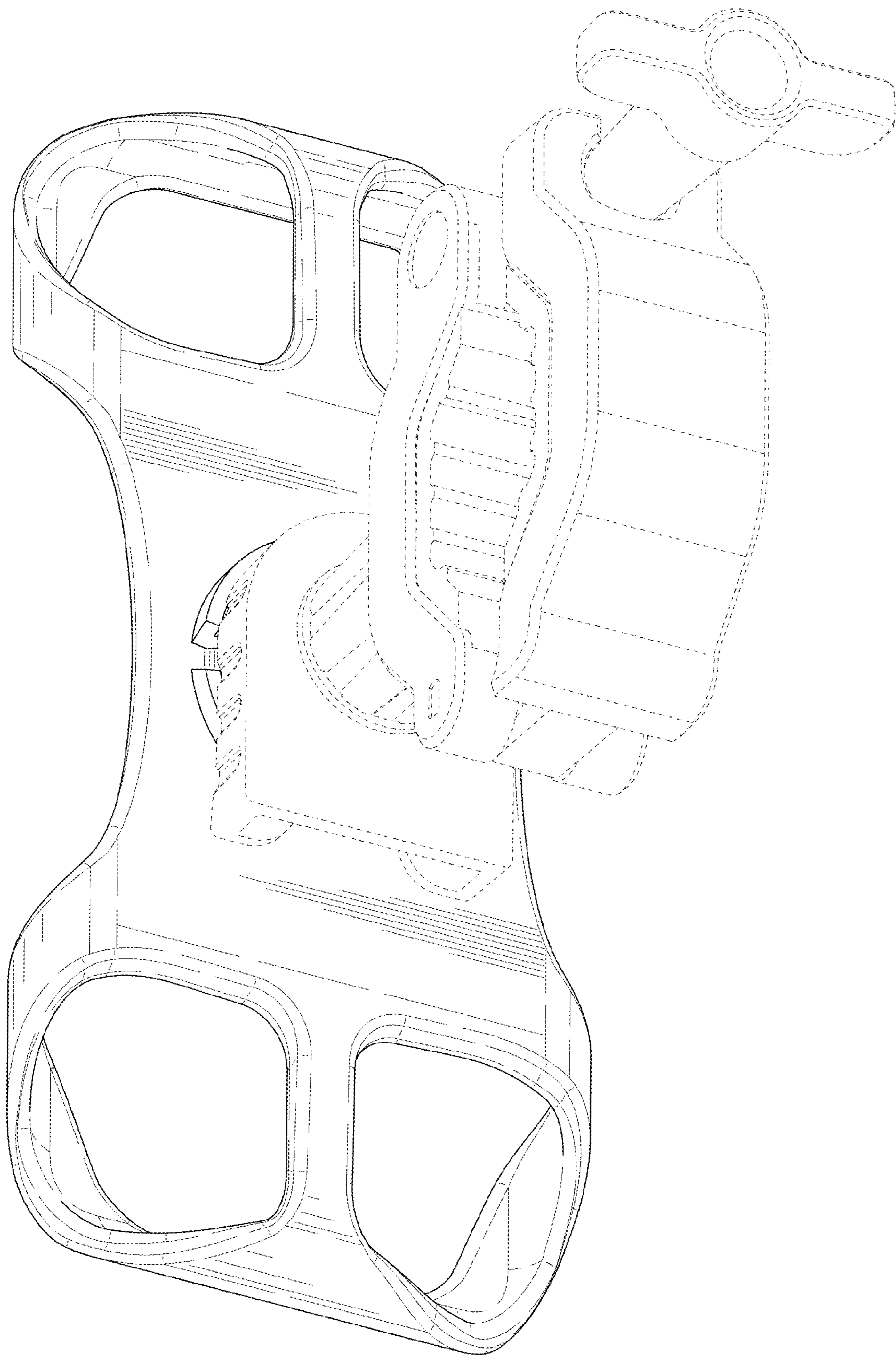


FIG. 9

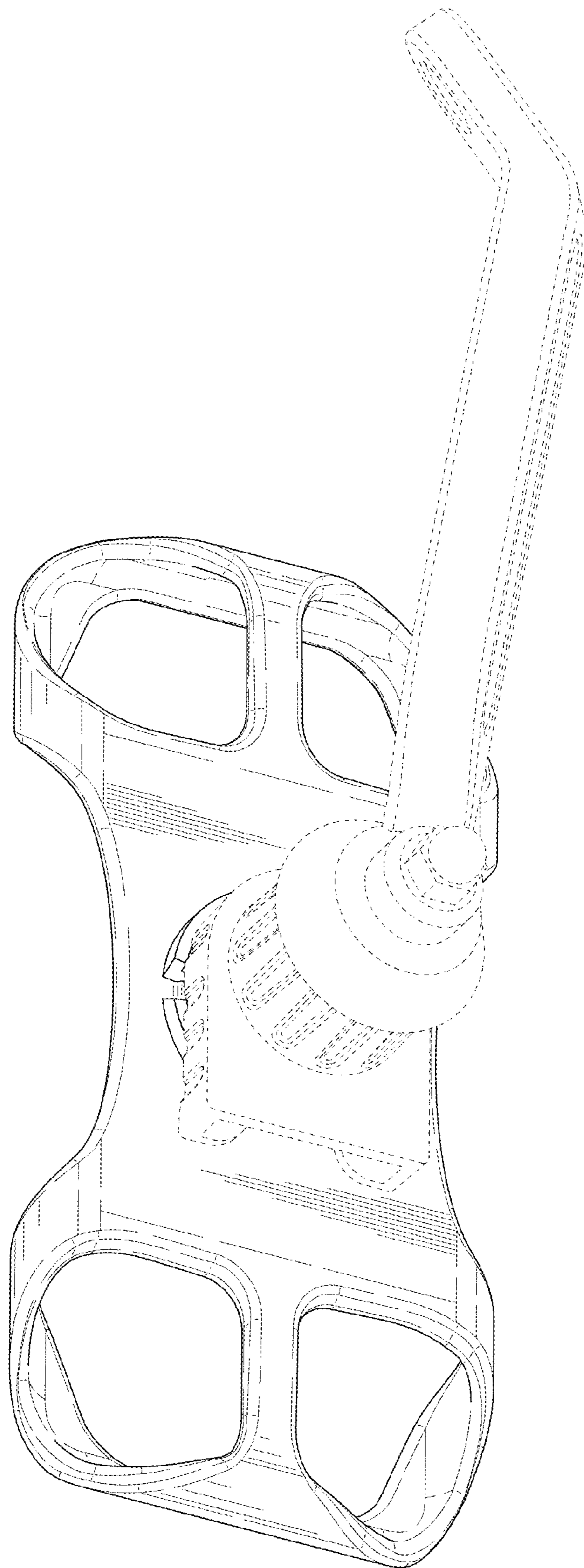


FIG. 10

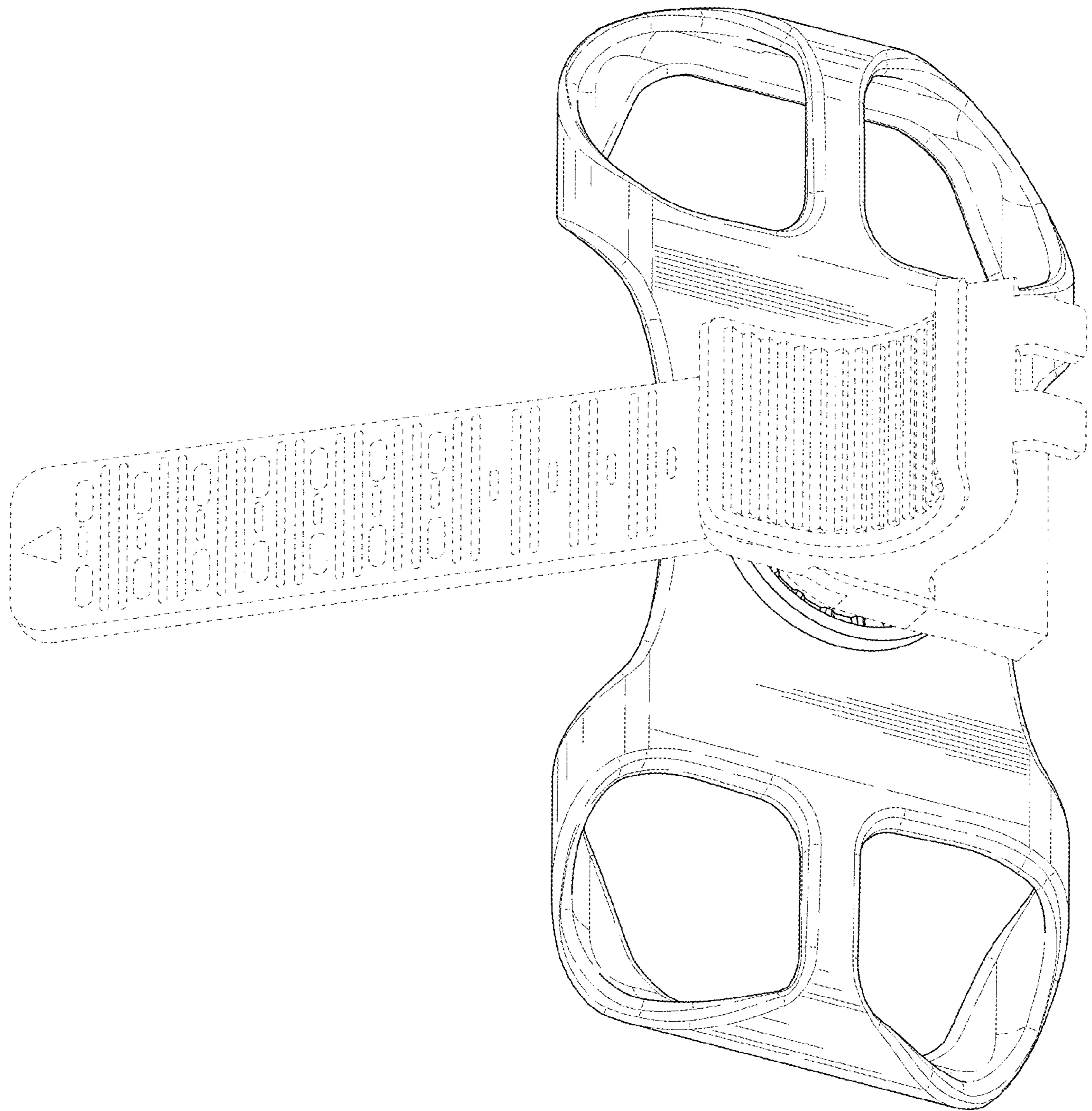


FIG. 11

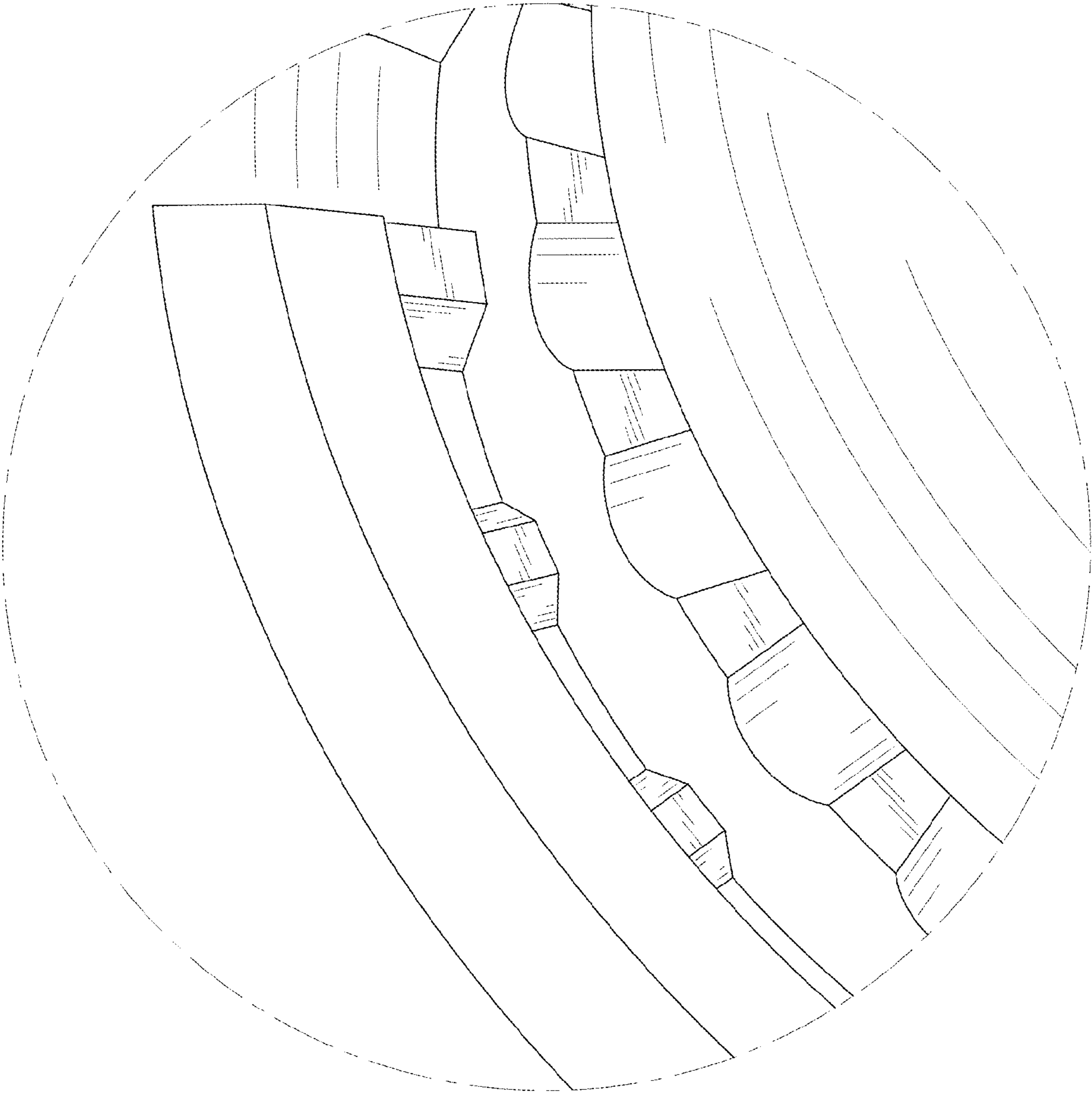


FIG. 12