



US00D975705S

(12) **United States Design Patent** (10) **Patent No.:** **US D975,705 S**  
**Adelman** (45) **Date of Patent:** **\*\* Jan. 17, 2023**

(54) **DEVICE MOUNT**  
(71) Applicant: **Nite Ize, Inc.**, Boulder, CO (US)  
(72) Inventor: **Gregory M. Adelman**, Boulder, CO (US)  
(73) Assignee: **Nite Ize, Inc.**, Boulder, CO (US)  
(\*\*) Term: **15 Years**

5,992,807 A 11/1999 Tarulli  
6,135,408 A 10/2000 Richter  
6,149,116 A 11/2000 Won  
6,269,544 B1 8/2001 Pahk et al.  
6,305,656 B1 10/2001 Wemyss  
(Continued)

**FOREIGN PATENT DOCUMENTS**

CN 304646653 S 5/2018  
CN 306093100 \* 10/2020  
(Continued)

(21) Appl. No.: **29/755,437**  
(22) Filed: **Oct. 20, 2020**

**OTHER PUBLICATIONS**

Adjustable Handlebar Mount for Tables or Phones, date not known [online], retrieved on Aug. 5, 2022, retrieved from the internet: (Year: 2022).

(51) **LOC (14) Cl.** ..... **14-99**  
(52) **U.S. Cl.**  
USPC ..... **D14/253**

(Continued)

(58) **Field of Classification Search**  
USPC .... D14/251-253, 224, 224.1, 432-434, 447, D14/451, 452; D12/114, 415, 426.1, 223, D12/406, 407; D16/242, 244, 245; D3/218; D13/108  
CPC ..... B60R 11/00; B60R 11/02; B60R 11/0241; B60R 11/0252; B60R 2011/0003; B60R 2011/0005; B60R 2011/0008; H04M 1/04; F16M 11/00; F16M 11/04; F16M 11/041; F16M 11/06; H05K 5/0204

*Primary Examiner* — Rebekah A Caruso  
(74) *Attorney, Agent, or Firm* — Potomac Law Group, PLLC

See application file for complete search history.

(57) **CLAIM**

The ornamental design for a device mount, as shown and described.

**DESCRIPTION**

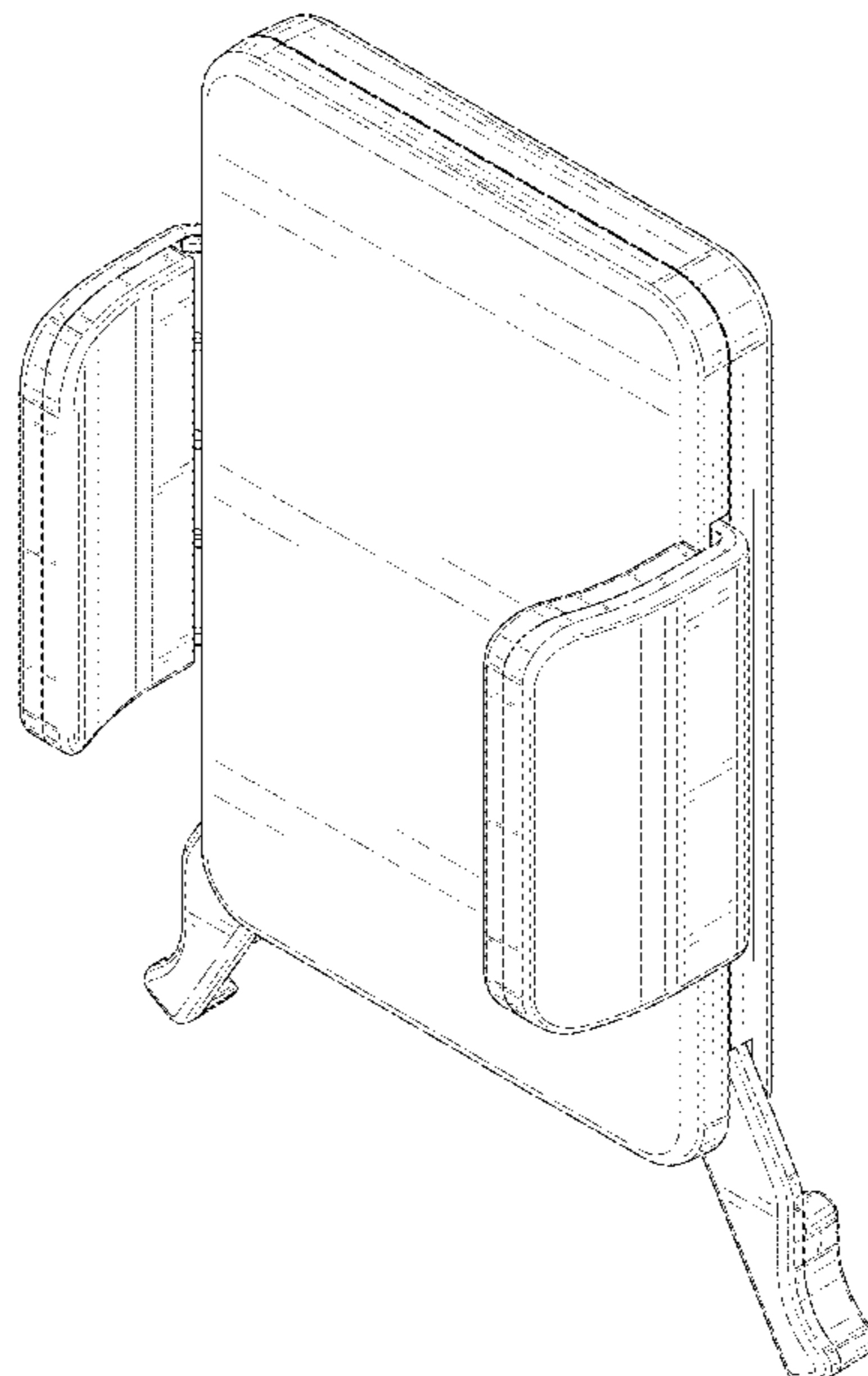
FIG. 1 shows a front perspective view of a device mount; FIG. 2 shows a front view of the device mount of FIG. 1; FIG. 3 shows a rear view of the device mount of FIG. 1; FIG. 4 shows a left side view of the device mount of FIG. 1; FIG. 5 shows a right side view of the device mount of FIG. 1; FIG. 6 shows a top view of the device mount of FIG. 1; and, FIG. 7 shows a bottom view of the device mount of FIG. 1. The broken lines depict portions of the device mount that form no part of the claimed design.

(56) **References Cited**

**U.S. PATENT DOCUMENTS**

2,907,085 A 10/1959 Bosland  
4,319,097 A 3/1982 Liautaud  
4,492,036 A 1/1985 Beckwith  
5,214,857 A 6/1993 McMurtry et al.  
5,593,124 A 1/1997 Wang  
5,825,874 A 10/1998 Humphreys et al.  
5,845,885 A 12/1998 Carnevali  
5,931,440 A 8/1999 Miller  
5,979,724 A 11/1999 Loewenthal

**1 Claim, 7 Drawing Sheets**



(56)

References Cited

U.S. PATENT DOCUMENTS

6,350,076 B1 2/2002 Wagner  
 6,352,228 B1 3/2002 Buerklin  
 6,382,482 B1 5/2002 Chao  
 6,888,940 B1 5/2005 Deppen  
 6,919,787 B1 7/2005 Macken  
 7,080,812 B2 7/2006 Wadsworth et al.  
 7,110,194 B2 9/2006 Hubbs  
 7,162,281 B2 1/2007 Kim  
 7,163,181 B2 1/2007 Omgs  
 7,374,142 B2 5/2008 Carnevali  
 7,431,251 B2 10/2008 Carnevali  
 7,469,869 B2 12/2008 Killian  
 8,398,155 B2 3/2013 Andochick  
 D707,672 S 6/2014 Lai  
 8,757,461 B2 6/2014 Zanetti  
 8,900,009 B2 12/2014 Hornick et al.  
 9,080,714 B2 7/2015 Minn et al.  
 D750,612 S 3/2016 Chen  
 D817,317 S 5/2018 Lee  
 D833,369 S 11/2018 Lan  
 10,259,400 B1 \* 4/2019 Song ..... B60R 11/0241  
 D875,090 S \* 2/2020 Leeds-Frank ..... D14/253  
 D877,066 S \* 3/2020 Zhang ..... D12/415  
 D879,090 S 3/2020 Chung  
 10,598,199 B1 \* 3/2020 Fan ..... B60R 11/0241  
 D881,200 S \* 4/2020 Leeds-Frank ..... D14/447  
 D889,454 S \* 7/2020 Liu ..... D14/253  
 D892,787 S \* 8/2020 Chen ..... D14/253  
 D894,829 S \* 9/2020 Zhang ..... D13/108  
 D895,544 S \* 9/2020 Zhao ..... D13/108  
 D895,601 S \* 9/2020 Liao ..... D14/253  
 D896,177 S \* 9/2020 Zheng ..... D13/108  
 D900,087 S \* 10/2020 Leeds-Frank ..... D14/253  
 D908,689 S \* 1/2021 Chen ..... D14/253  
 11,027,665 B1 \* 6/2021 Cao ..... B60R 11/0241  
 D926,107 S \* 7/2021 Leeds-Frank ..... D12/415  
 D926,108 S \* 7/2021 Leeds-Frank ..... D12/415  
 D928,041 S 8/2021 Jones  
 D931,204 S \* 9/2021 Liao ..... D13/108  
 D934,235 S \* 10/2021 Liao ..... D12/415  
 D946,492 S \* 3/2022 Qu ..... D12/415  
 2003/0019893 A1 1/2003 Decoteau

2004/0040994 A1 3/2004 Parcelles  
 2004/0188576 A1 9/2004 Carnevali  
 2005/0247845 A1 11/2005 Li et al.  
 2007/0099469 A1 5/2007 Sorensen  
 2008/0061197 A1 3/2008 Carnevali  
 2008/0078793 A1 4/2008 Brown  
 2008/0087779 A1 4/2008 Liow et al.  
 2008/0203260 A1 8/2008 Carnevali  
 2009/0102986 A1 4/2009 Yamamoto  
 2009/0196597 A1 8/2009 Messinger et al.  
 2009/0294617 A1 12/2009 Stacey et al.  
 2009/0317071 A1 12/2009 David  
 2009/0322278 A1 12/2009 Franks et al.  
 2010/0034530 A1 2/2010 Son  
 2010/0327031 A1 12/2010 Olmos  
 2011/0183728 A1 7/2011 Lin  
 2011/0192857 A1 8/2011 Rothbaum et al.  
 2012/0097723 A1 4/2012 Khatchatrian  
 2012/0212968 A1 8/2012 Brown  
 2012/0305733 A1 12/2012 Vogel et al.  
 2013/0292296 A1 11/2013 Kang et al.  
 2014/0009900 A1 1/2014 Yeo  
 2014/0103087 A1 4/2014 Fan  
 2014/0138419 A1 5/2014 Minn et al.  
 2014/0168890 A1 6/2014 Barnard  
 2016/0080022 A1 3/2016 Radmard  
 2020/0191178 A1 \* 6/2020 Yang ..... H04M 1/04  
 2022/0124190 A1 \* 4/2022 Adelman ..... F16M 13/02

FOREIGN PATENT DOCUMENTS

GB 6088007 S 4/2020  
 JP D1667077 S 8/2020  
 KR 3020190000593 S 5/2019

OTHER PUBLICATIONS

Bike Phone Mount, Motorcycle Phone Holder, Nov. 28, 2020 [online], retrieved Aug. 5, 2022, retrieved from the Internet: (Year: 2020).  
 Nite Ize Squeeze Rotating Smartphone Bar Mount, Dec. 15, 2020 [online], retrieved on Aug. 11, 2022, retrieved from the internet: (Year:2020).

\* cited by examiner

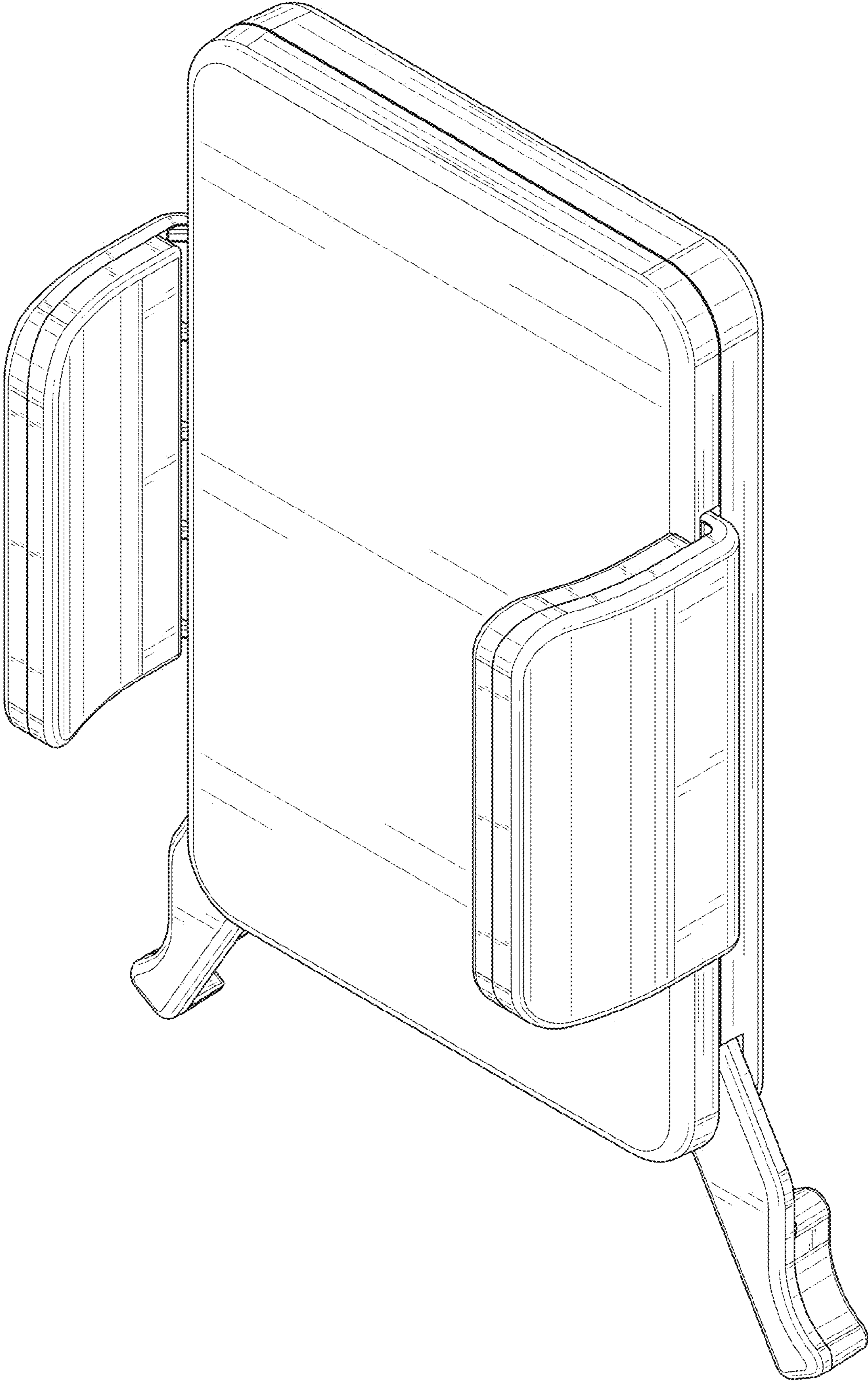


FIG. 1

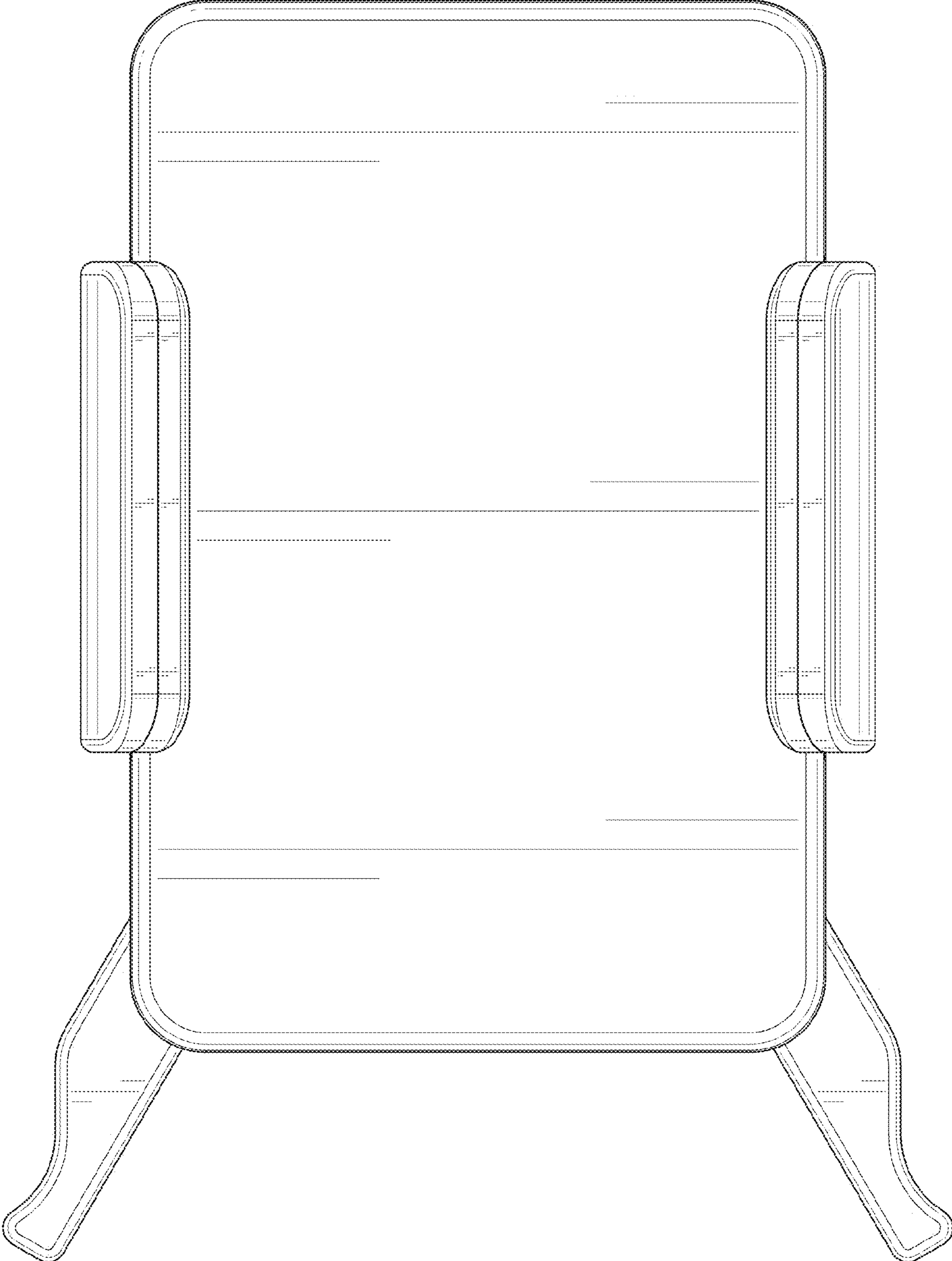


FIG. 2

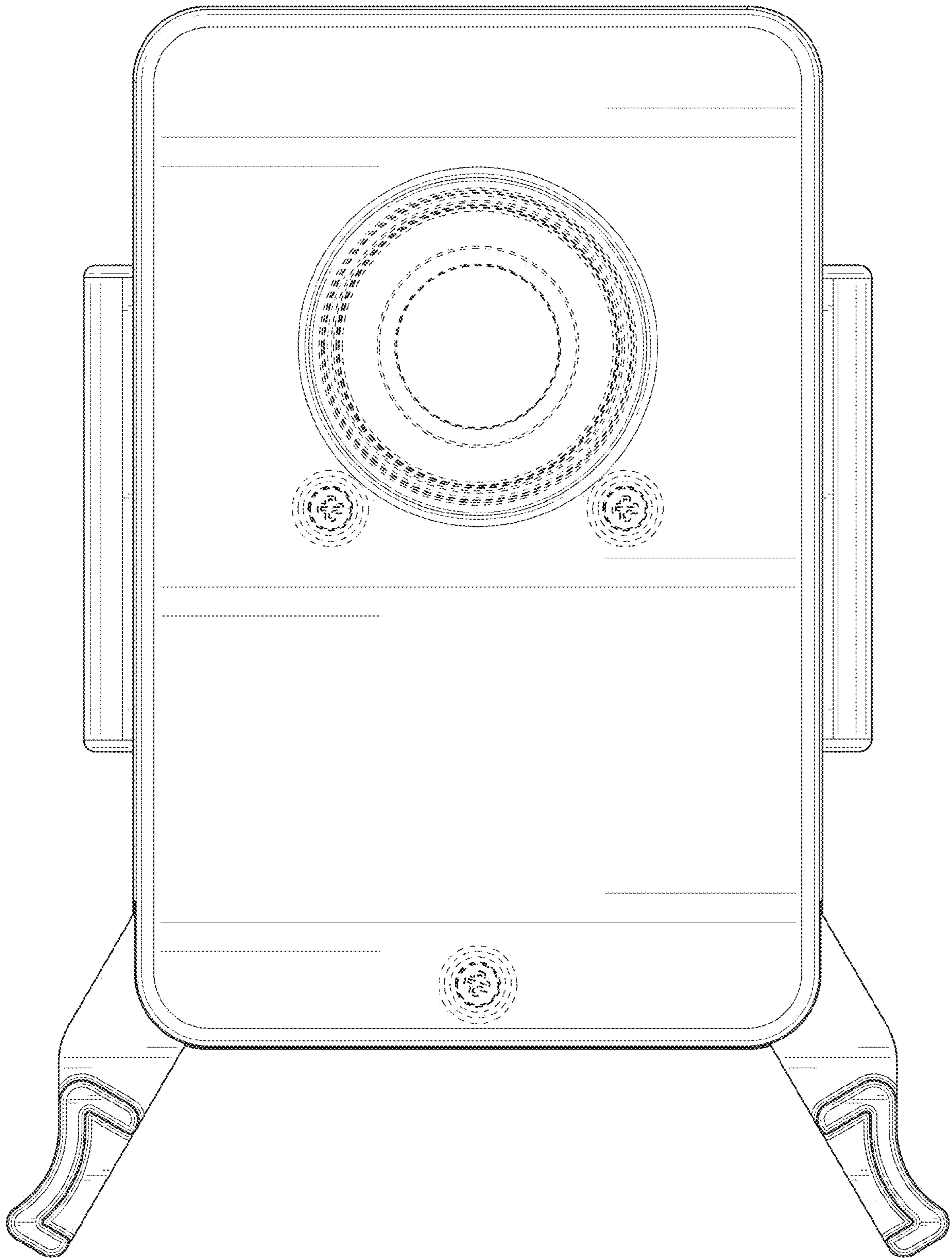


FIG. 3

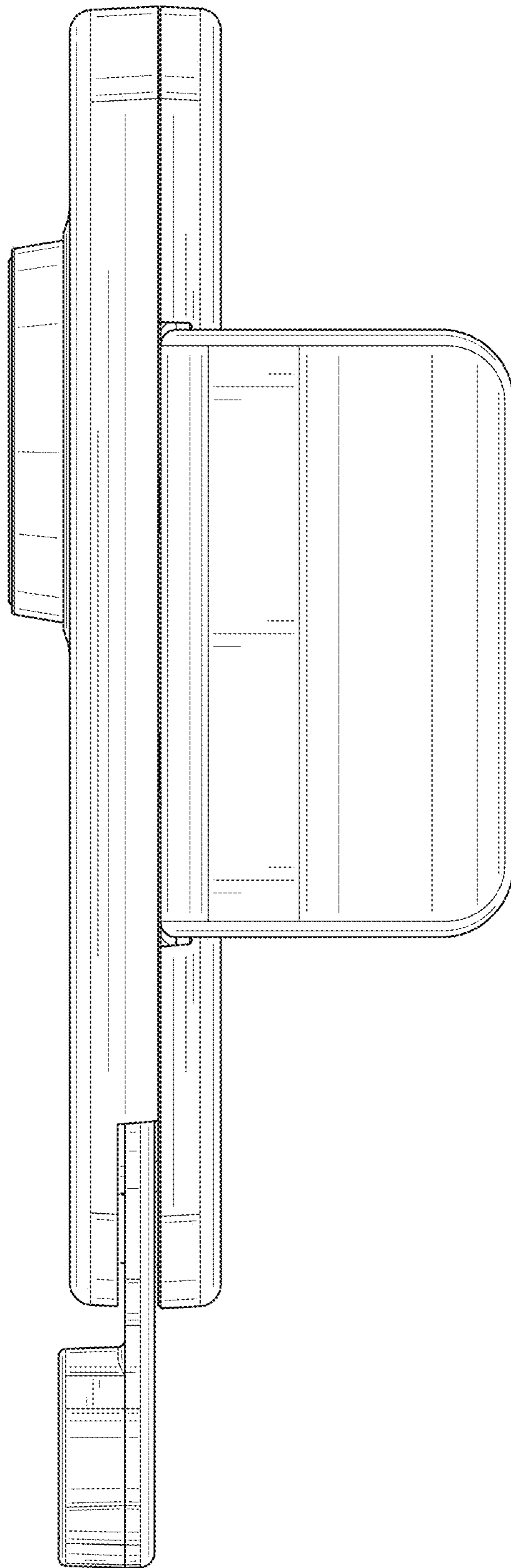


FIG. 4

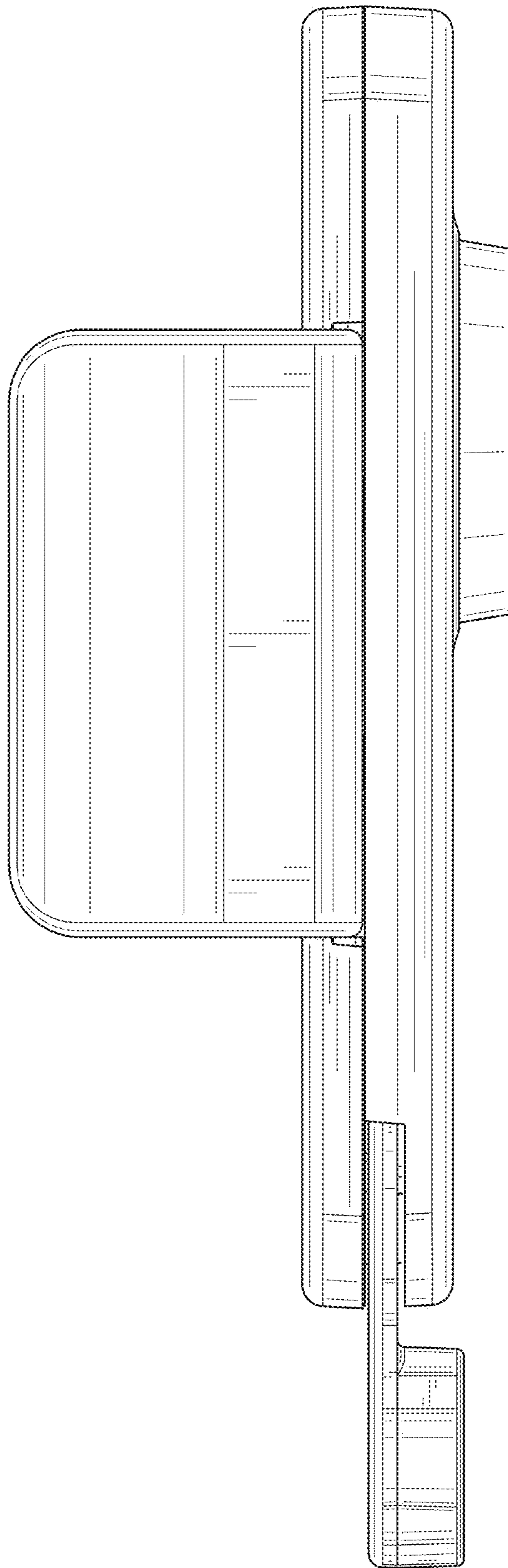


FIG. 5

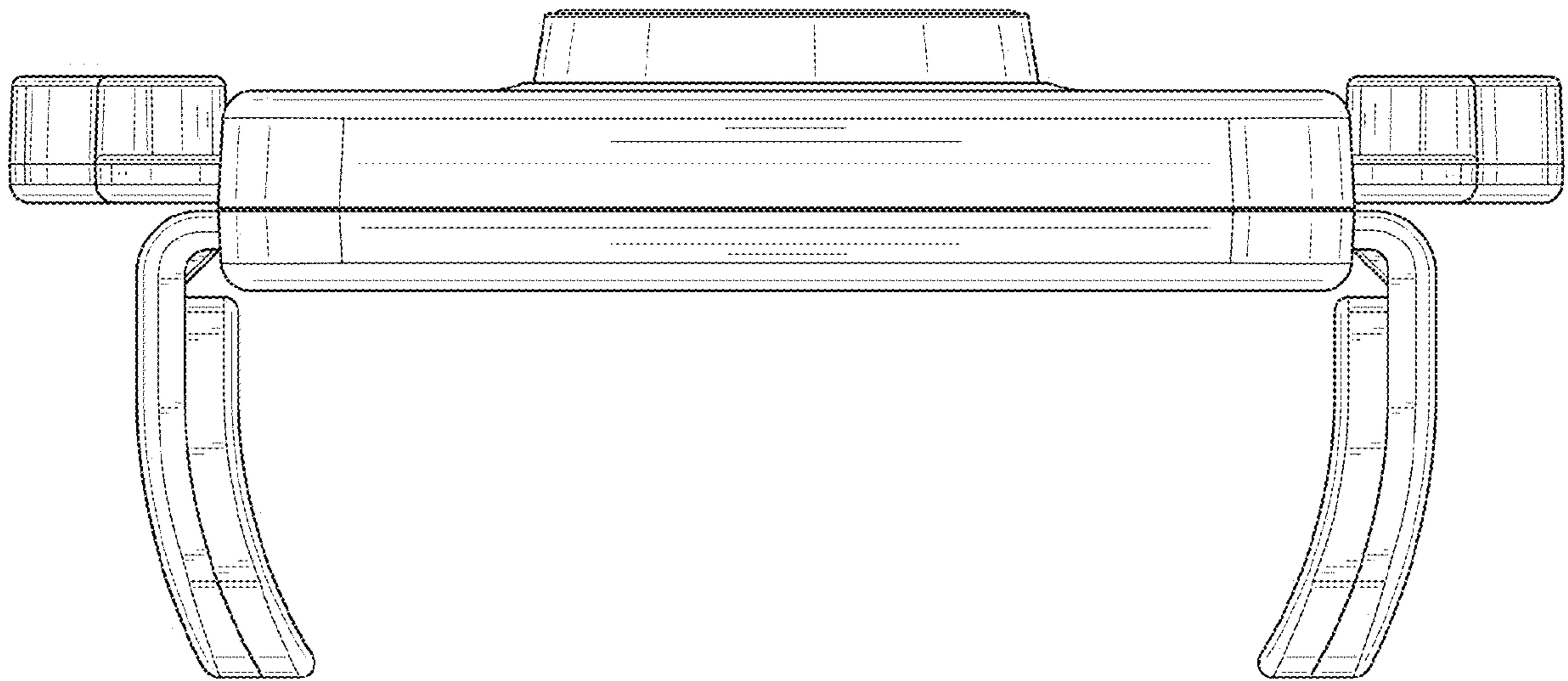


FIG. 6



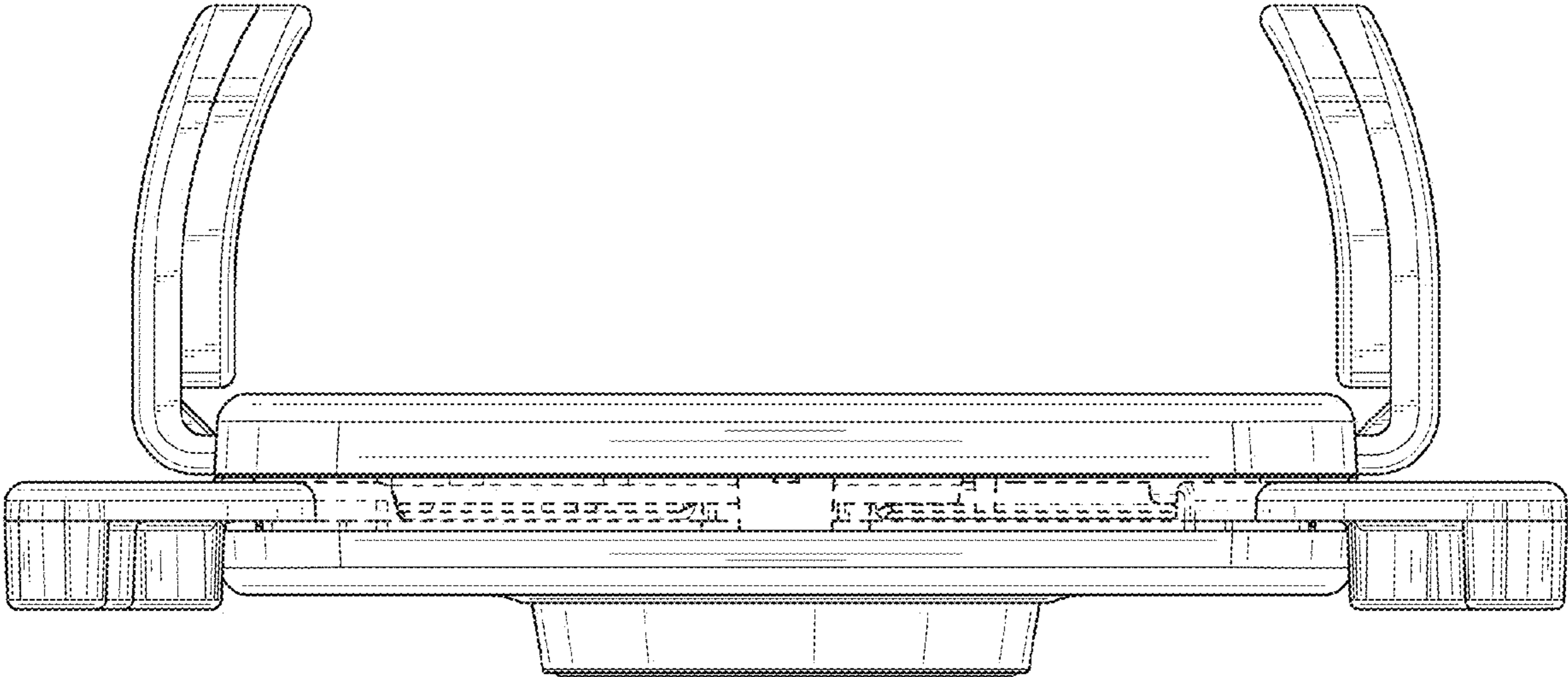


FIG. 7