



US00D975704S

(12) **United States Design Patent**  
**Liu**

(10) **Patent No.:** **US D975,704 S**

(45) **Date of Patent:** **\*\* Jan. 17, 2023**

(54) **CASE FOR MOBILE PHONE**

(71) Applicant: **Yongguo Liu**, Shenzhen (CN)

(72) Inventor: **Yongguo Liu**, Shenzhen (CN)

(\*\*) Term: **15 Years**

(21) Appl. No.: **29/809,326**

(22) Filed: **Sep. 27, 2021**

(51) **LOC (14) Cl.** ..... **14-03**

(52) **U.S. Cl.**  
USPC ..... **D14/250**

(58) **Field of Classification Search**  
USPC ..... D14/203.3–203.7, 439, 447, 251–253,  
D14/217, 240, 238.1, 440, 248, 250;  
D13/103, 107–108, 119; D3/201, 218,  
D3/247, 249, 269, 273, 301, 303, 294  
CPC ..... H04B 1/3888; A45C 13/02; A45C 11/00;  
A45C 2011/002; A45C 1/06; A45F  
2200/0525; A45F 2005/026; A45F  
2200/0516; H04M 1/0283; H04M 1/0202  
See application file for complete search history.

D897,348 S \* 9/2020 Liao ..... D14/440  
D898,728 S \* 10/2020 Lin ..... D14/250  
D903,650 S \* 12/2020 Huang ..... D14/250  
D925,385 S \* 7/2021 Lin ..... D14/440  
D935,447 S \* 11/2021 Xu ..... D14/250  
2017/0049199 A1\* 2/2017 Kim ..... A45C 11/00  
2017/0055660 A1\* 3/2017 Tien ..... A45C 11/00

(Continued)

*Primary Examiner* — Carla J Wright

(57) **CLAIM**

The ornamental design for a case for mobile phone, as shown and described.

**DESCRIPTION**

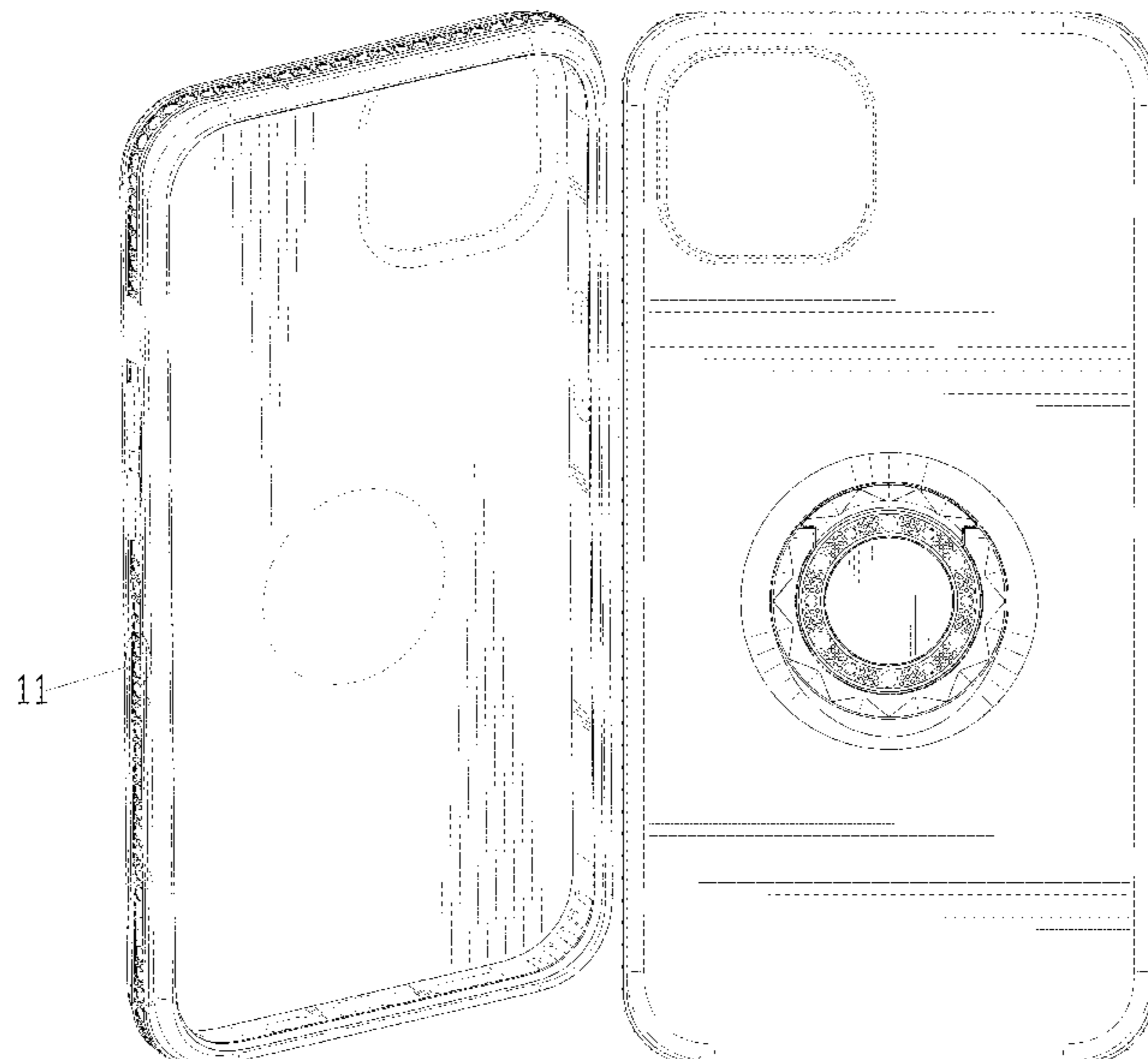
FIG. 1 is a perspective view of a case for mobile phone showing my new design;  
FIG. 2 is another perspective view thereof;  
FIG. 3 is a front elevational view thereof;  
FIG. 4 is a rear elevational view thereof;  
FIG. 5 is a left side elevational view thereof;  
FIG. 6 is a right side elevational view thereof;  
FIG. 7 is a top plan view thereof;  
FIG. 8 is a bottom plan view thereof;  
FIG. 9 a perspective view of the case for mobile phone where a kickstand is in an open state;  
FIG. 10 is an exploded perspective view of the case for mobile phone;  
FIG. 11 is an enlarged view of portion 11 shown in FIG. 1; and,  
FIG. 12 is an enlarged view of portion 12 shown in FIG. 2.  
The dashed broken lines throughout the drawing figures form no part of the claimed design and depict portions of the case for mobile phone that form no part of the claimed design. The dot-dash broken lines in FIGS. 1-2 and 11-12 form no part of the claimed design and designate regions of FIGS. 1 and 2, including claimed subject matter, that are shown on an enlarged scale in FIGS. 11 and 12.

(56) **References Cited**

U.S. PATENT DOCUMENTS

D641,154 S \* 7/2011 Smith ..... D3/218  
D660,305 S \* 5/2012 Ho ..... D14/447  
8,936,222 B1 \* 1/2015 Bastian ..... A45F 5/00  
224/183  
D735,184 S \* 7/2015 Lee ..... D14/250  
9,185,197 B2 \* 11/2015 Keesling ..... H04M 1/0279  
D775,619 S \* 1/2017 Tien ..... D14/250  
D788,092 S \* 5/2017 Phang ..... D14/250  
D843,365 S 3/2019 Kim  
D850,455 S \* 6/2019 Cheng ..... D14/440  
D856,319 S 8/2019 Deng  
D856,990 S \* 8/2019 Romano ..... D6/300  
D863,281 S \* 10/2019 Liu ..... D14/250  
D863,288 S \* 10/2019 Wu ..... D14/251  
10,581,480 B1 \* 3/2020 Kim ..... A45F 5/00

**1 Claim, 12 Drawing Sheets**



(56)

**References Cited**

U.S. PATENT DOCUMENTS

2018/0069586 A1\* 3/2018 Gandhi ..... H04M 1/0202  
2018/0220782 A1\* 8/2018 Mody ..... A45F 5/00

\* cited by examiner

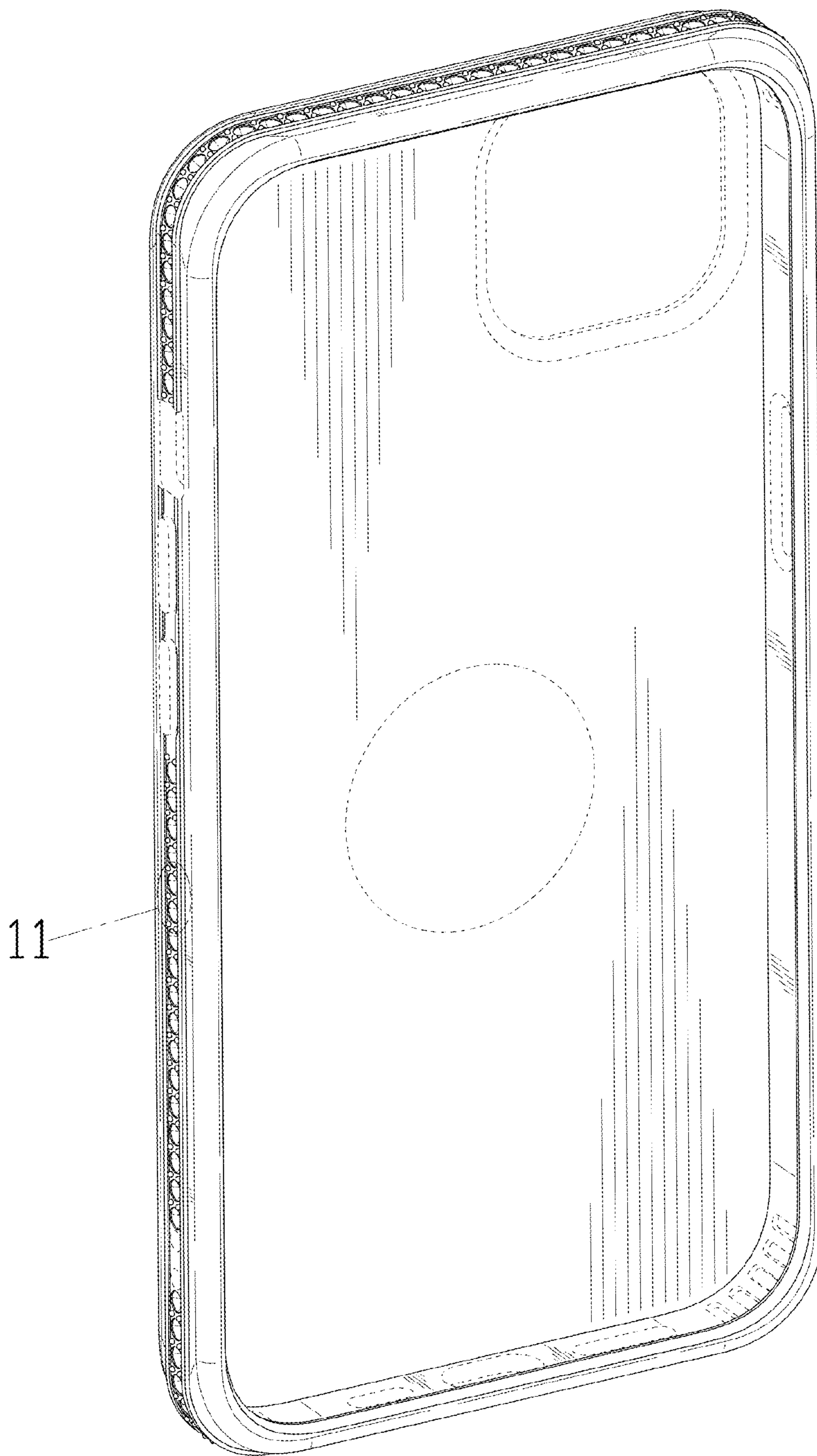


FIG. 1

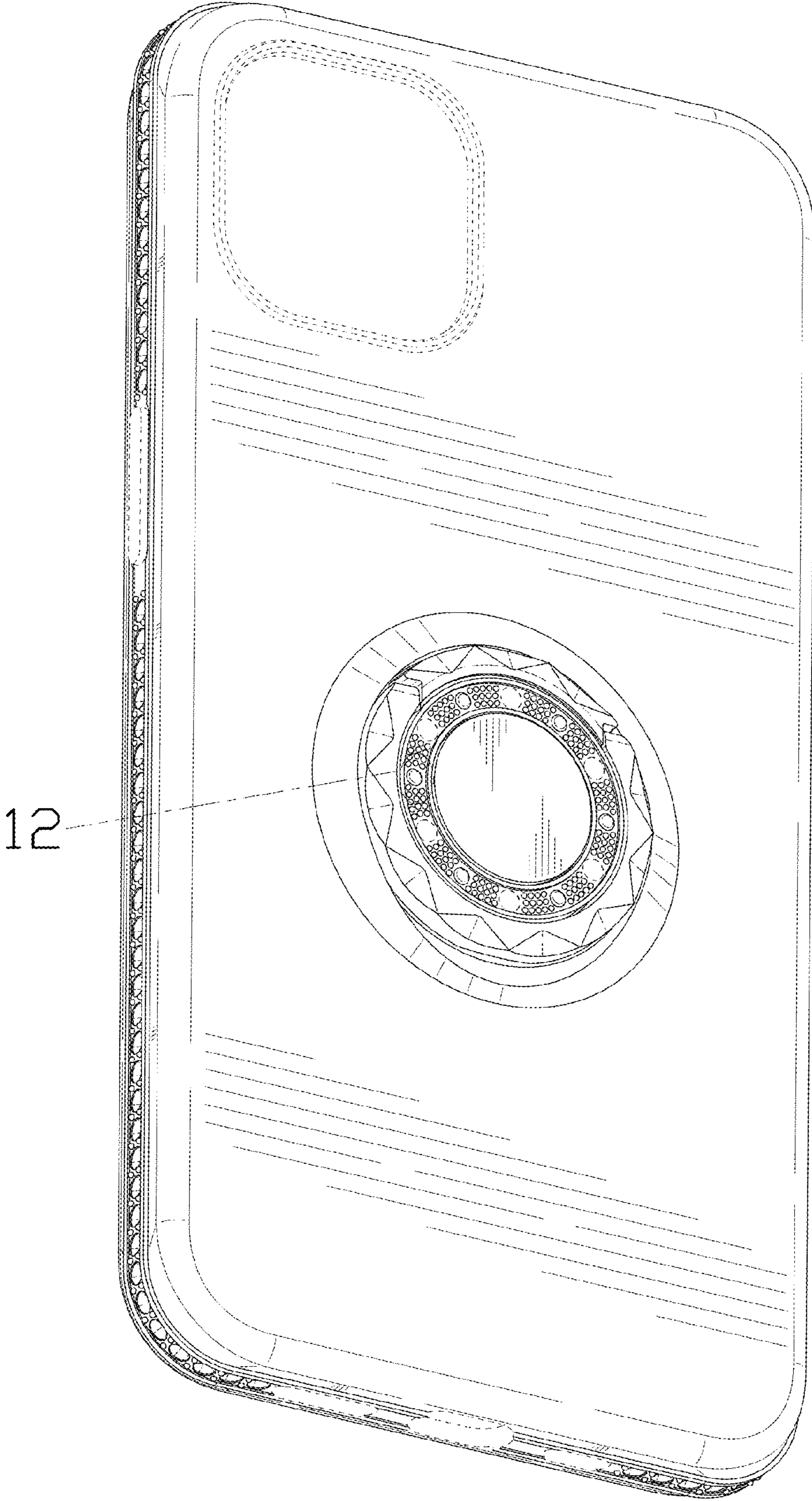


FIG. 2

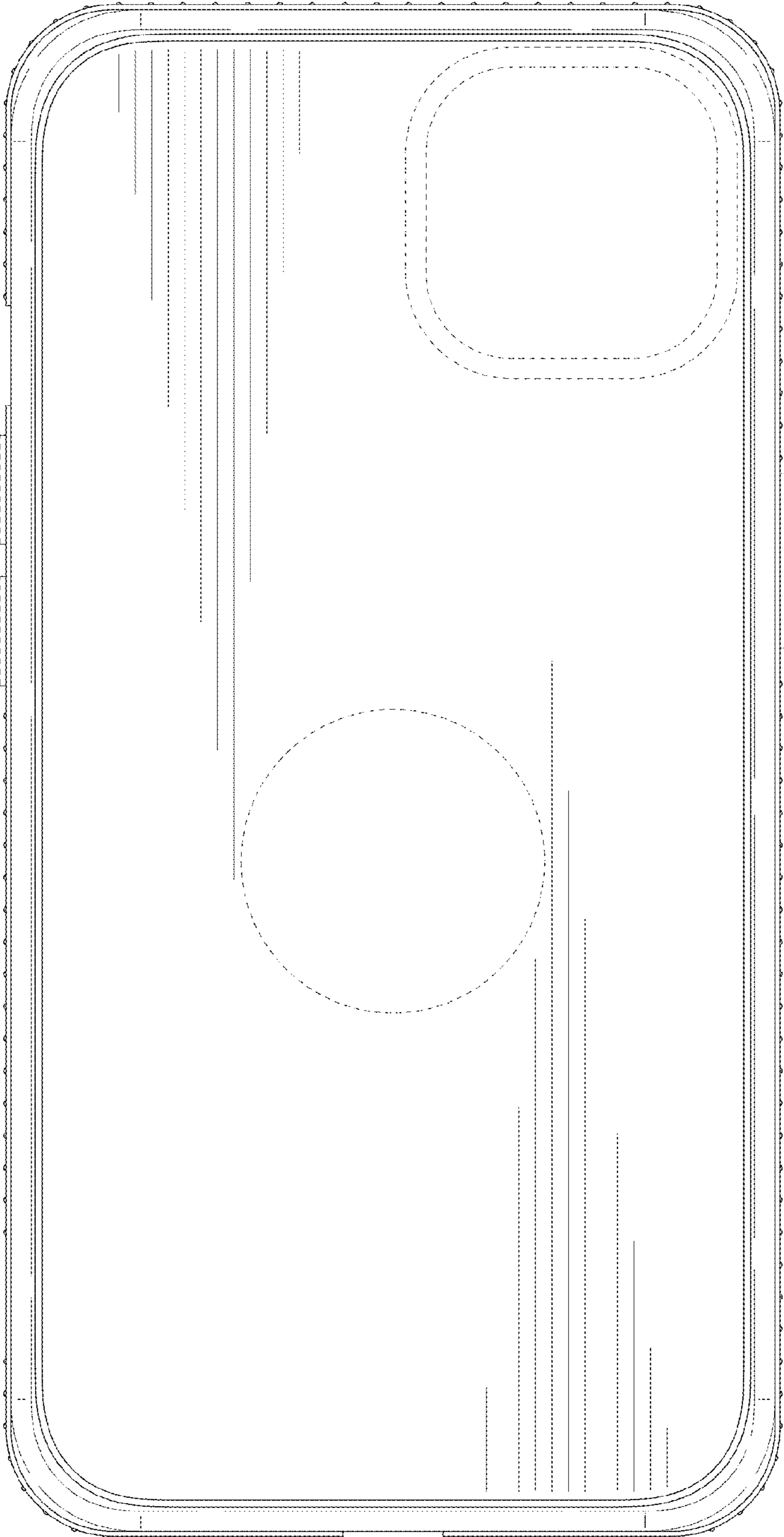


FIG. 3

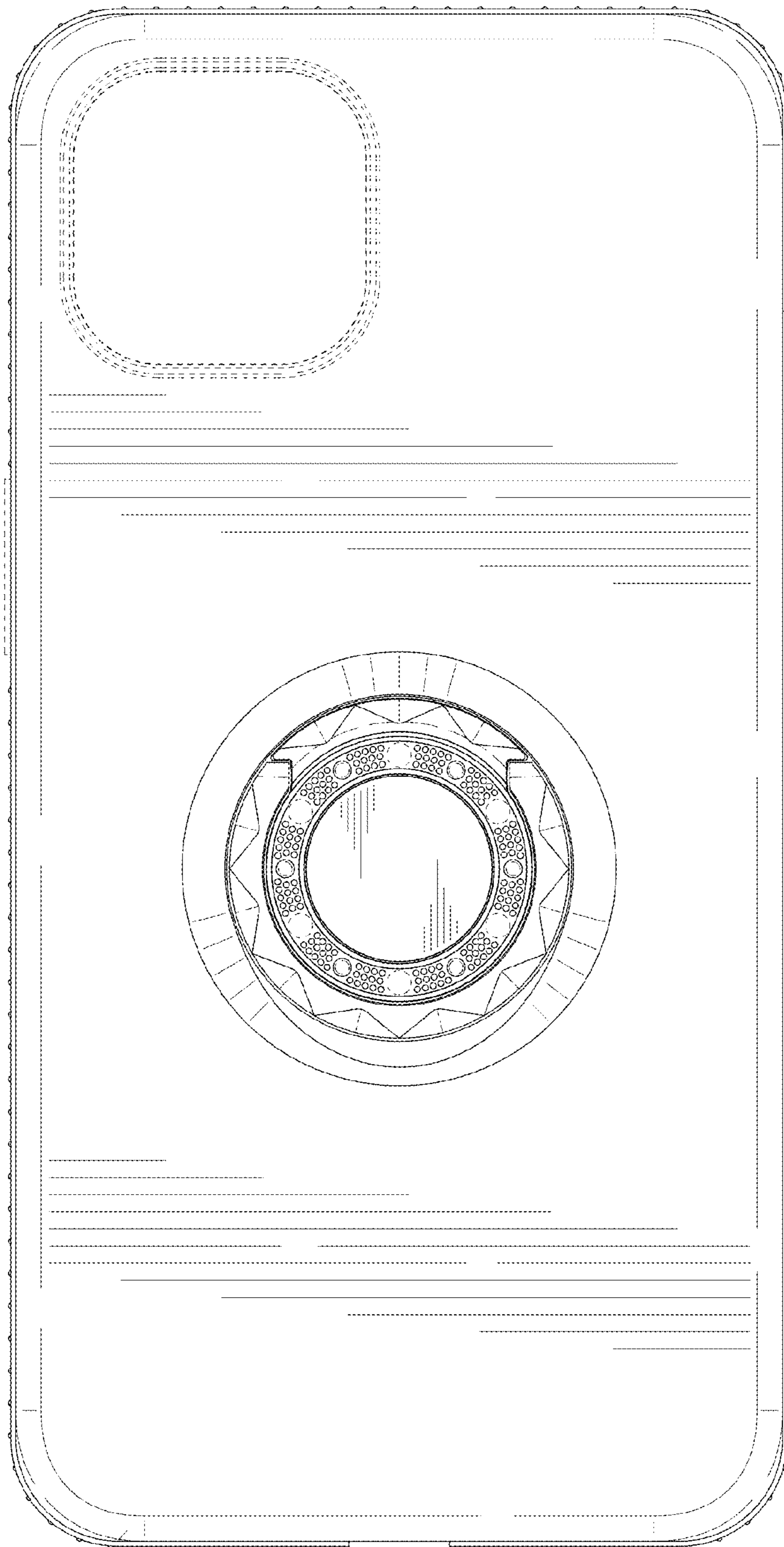


FIG. 4

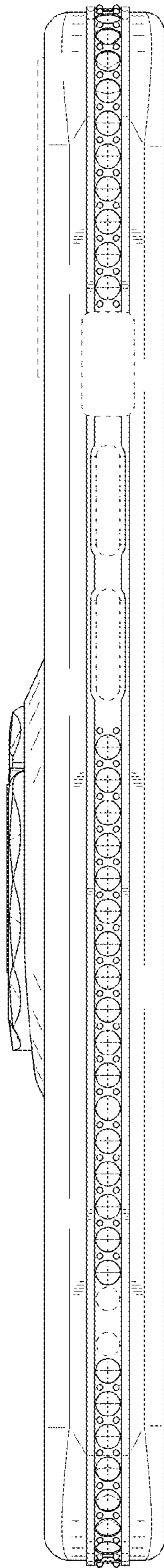


FIG. 5

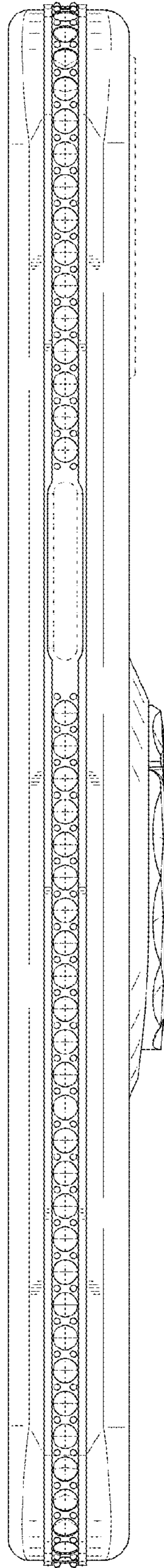


FIG. 6



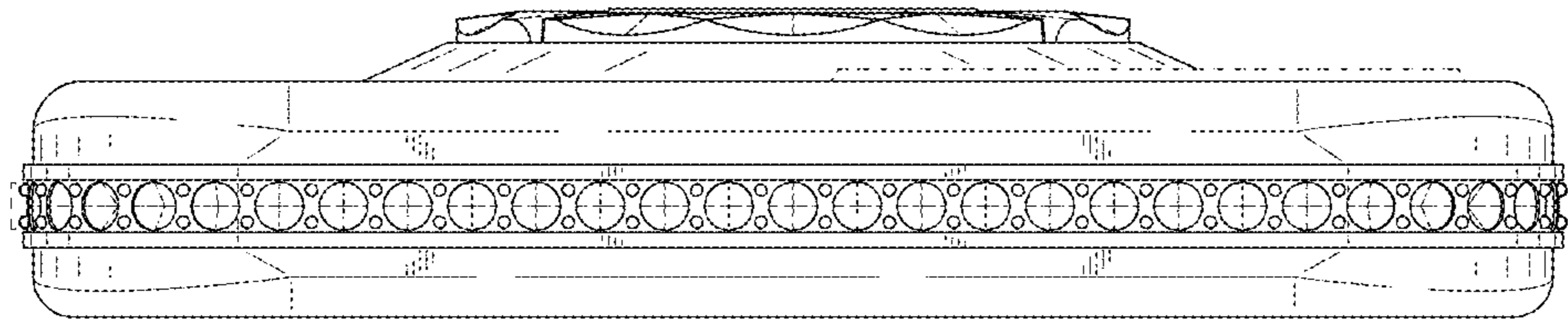


FIG. 7

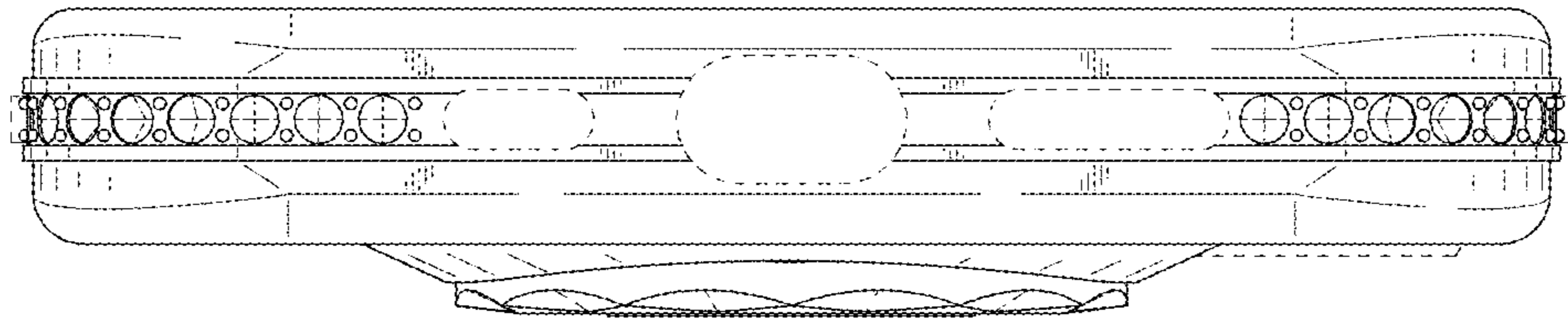


FIG. 8

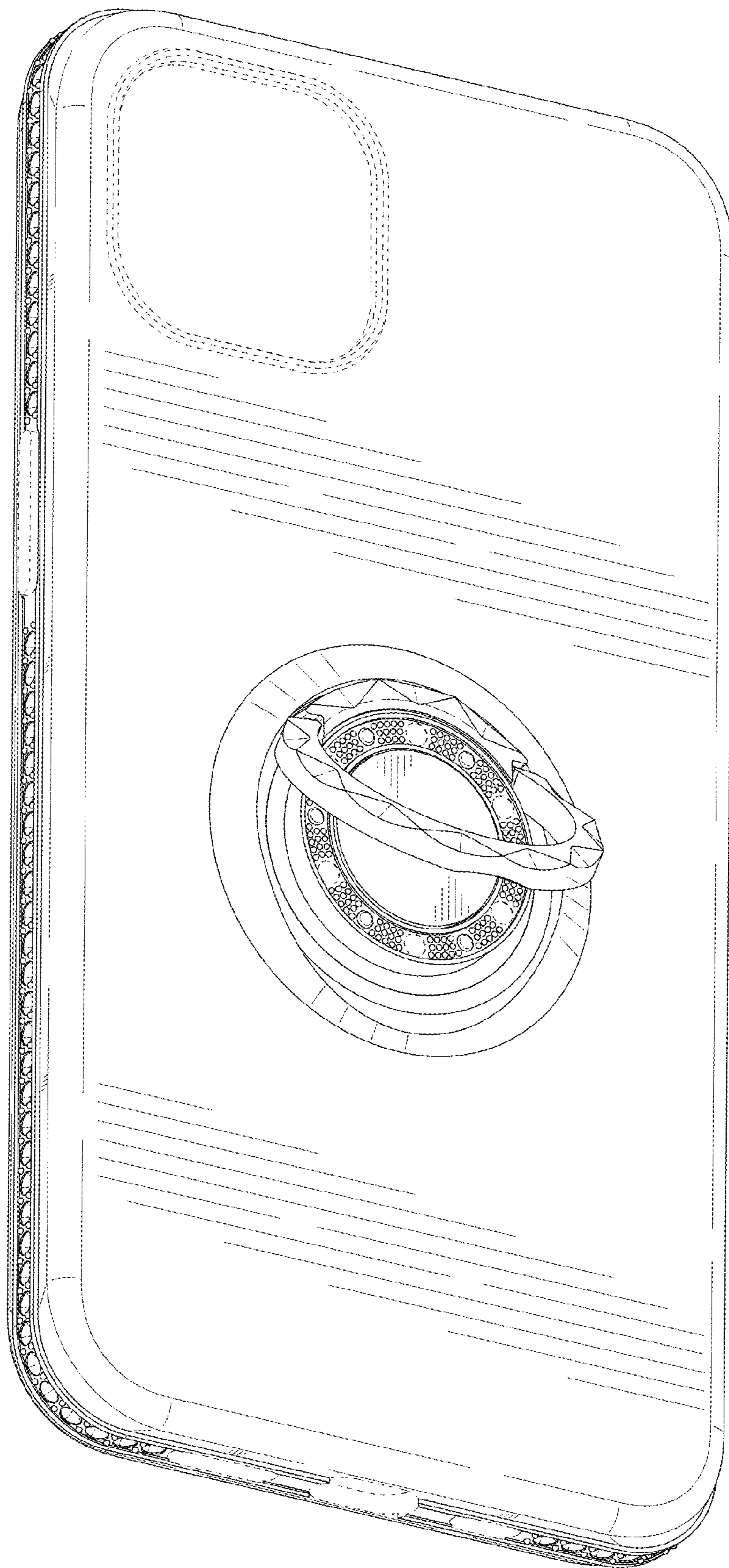


FIG. 9

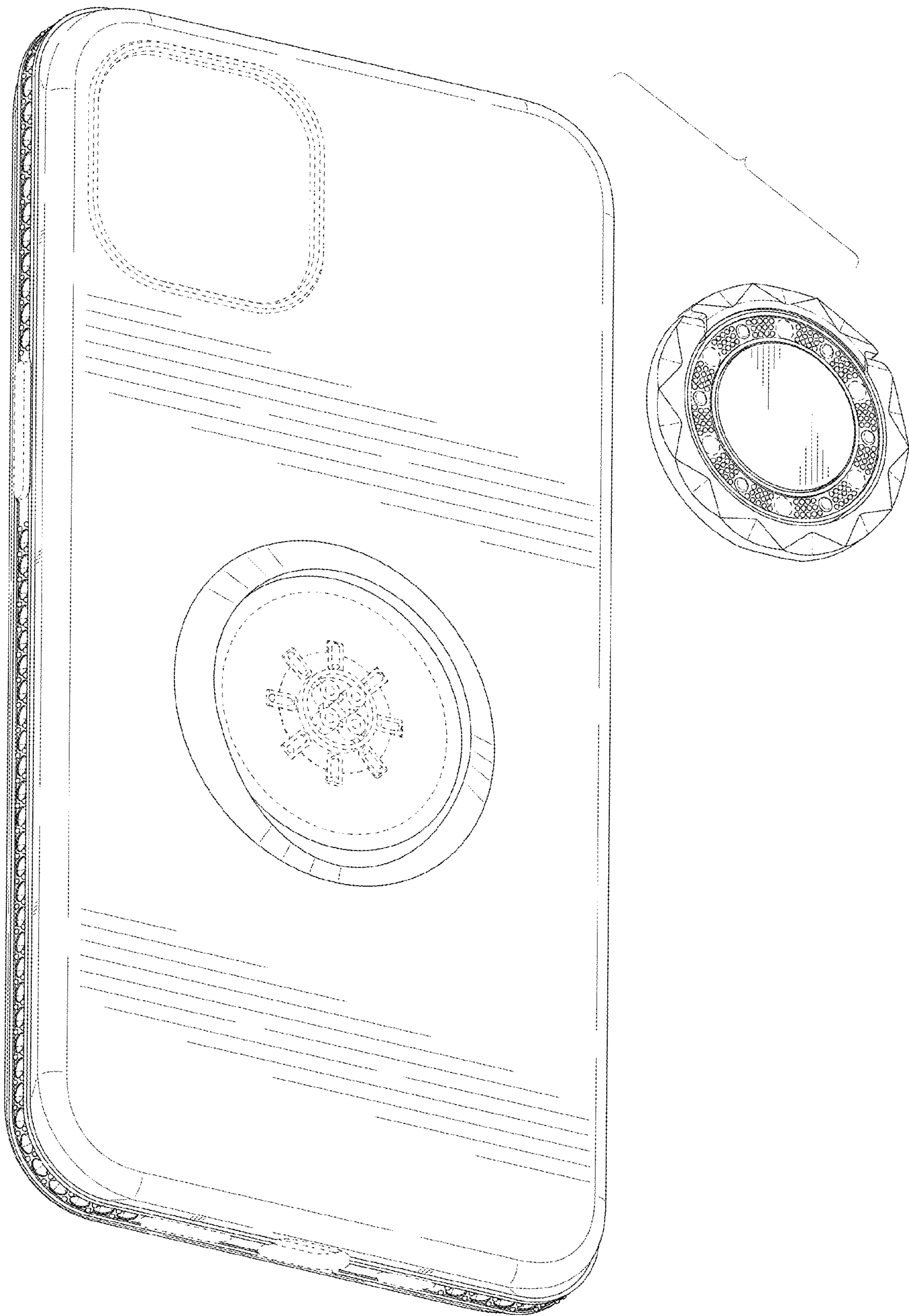


FIG. 10

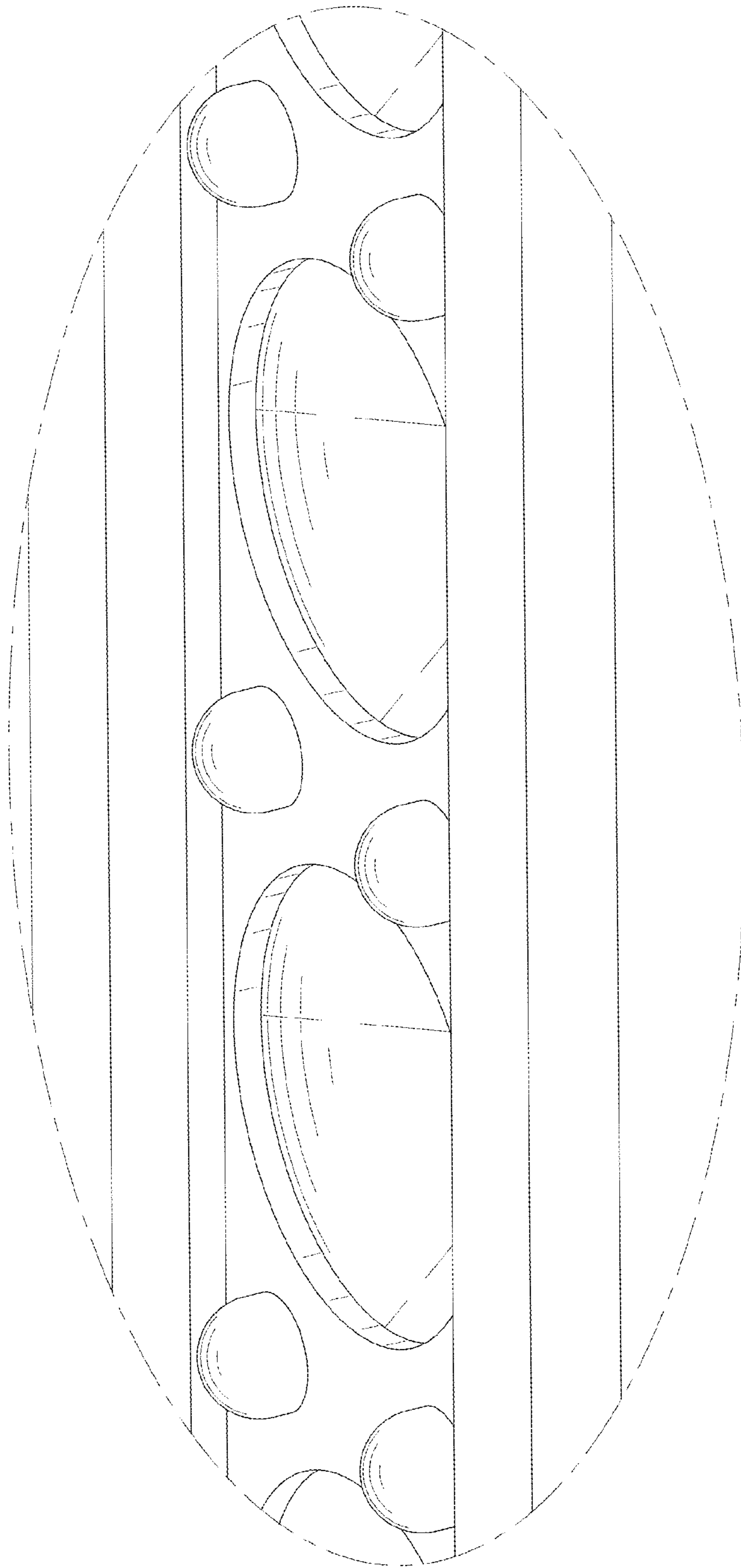


FIG. 11

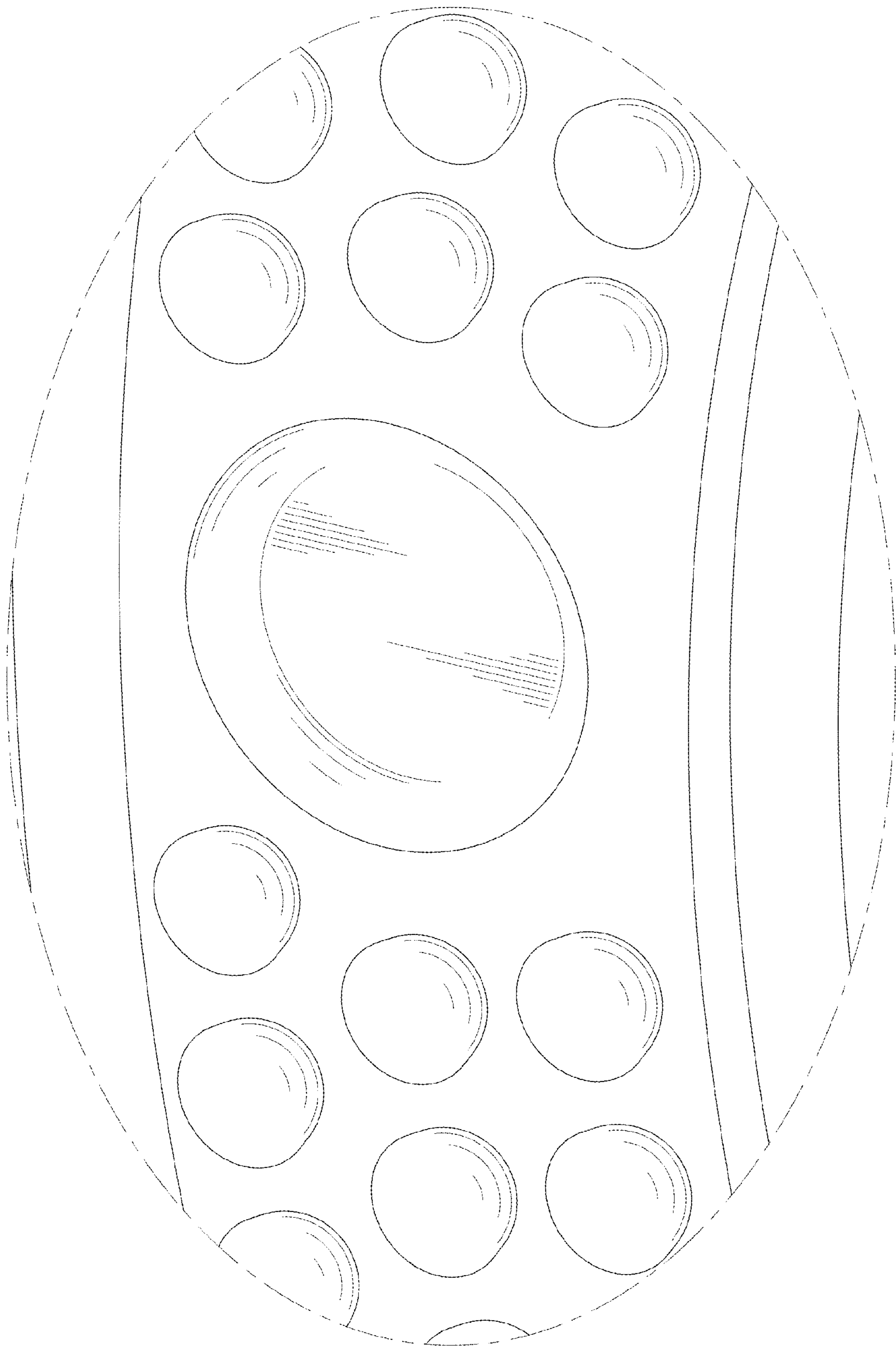


FIG. 12