



US00D975700S

(12) **United States Design Patent**
Gao

(10) **Patent No.:** **US D975,700 S**

(45) **Date of Patent:** **** *Jan. 17, 2023**

- (54) **MOBILE PHONE STAND**
- (71) Applicant: **Caihong Gao**, Foshan (CN)
- (72) Inventor: **Caihong Gao**, Foshan (CN)
- (*) Notice: This patent is subject to a terminal disclaimer.
- (**) Term: **15 Years**
- (21) Appl. No.: **29/801,457**
- (22) Filed: **Jul. 29, 2021**
- (51) **LOC (14) Cl.** **14-03**
- (52) **U.S. Cl.**
USPC **D14/250**
- (58) **Field of Classification Search**
USPC D14/203.3–203.7, 439, 251–253, 447,
D14/217, 240, 238.1, 440, 248, 250;
D13/103, 107–108, 119; D3/201, 218,
D3/247, 249, 269, 273, 301, 303
CPC H04B 1/3888; A45C 11/00; A45C 13/02;
A45C 2011/002; A45C 1/06; A45F
2200/0525; A45F 2005/026; A45F
2200/0516; H04M 1/0283; H04M 1/0202
See application file for complete search history.

D791,759 S *	7/2017	Lin	D14/250
D807,335 S *	1/2018	Kitade	D14/341
D843,364 S *	3/2019	Sasaki	D14/250
D856,956 S *	8/2019	Liu	D14/250
D862,446 S *	10/2019	Jia	D14/250
D863,284 S *	10/2019	Luo	D14/250
D868,052 S *	11/2019	Jia	D14/250
D868,053 S *	11/2019	Gao	D14/250
D870,089 S *	12/2019	Batta	D14/250
D879,083 S *	3/2020	Feng	D14/250
D888,031 S *	6/2020	Armstrong	D14/250
D888,032 S *	6/2020	Armstrong	D14/250
D892,727 S *	8/2020	Gan	D13/103
D898,016 S *	10/2020	Liang	D14/250
D898,747 S *	10/2020	Deng	D14/440
D912,654 S	3/2021	Weng	
D913,969 S *	3/2021	Lin	D14/440
D923,616 S *	6/2021	Xie	D14/250
D933,643 S *	10/2021	Liao	D14/250
D936,659 S *	11/2021	Li	D14/440

(Continued)

Primary Examiner — Carla J Wright

(57) **CLAIM**

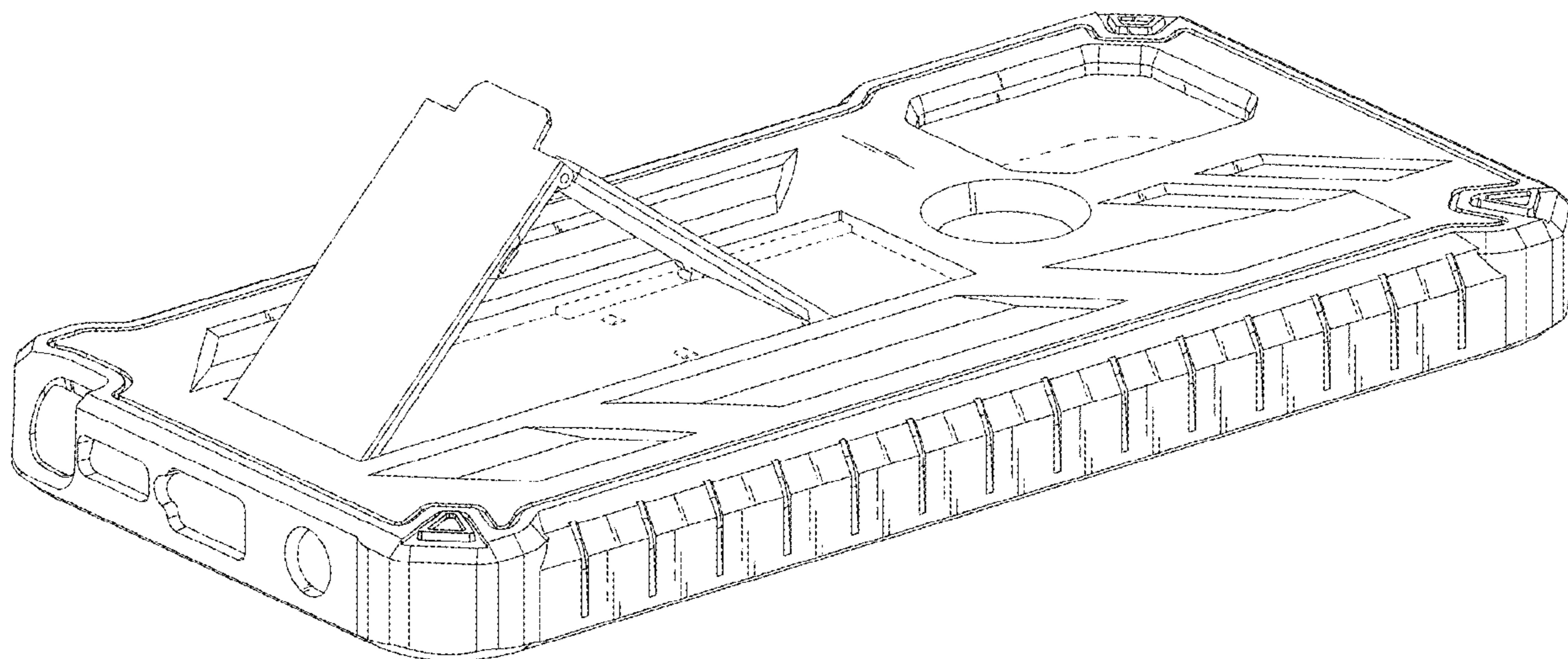
The ornamental design for a mobile phone stand, as shown and described.

DESCRIPTION

FIG. 1 is a front, right-side, and bottom perspective view of a mobile phone stand, showing my new design;
 FIG. 2 is a front elevation view thereof;
 FIG. 3 is a left side elevation view thereof;
 FIG. 4 is a bottom plan view thereof.
 FIG. 5 is a right side elevation view thereof;
 FIG. 6 is a top plan view thereof;
 FIG. 7 is a rear elevation view thereof; and,
 FIG. 8 is a front, right-side, and bottom perspective view thereof, shown in an alternative position.
 The broken lines in the figures illustrate portions of the mobile phone stand that form no part of the claimed design.

1 Claim, 8 Drawing Sheets

- (56) **References Cited**
U.S. PATENT DOCUMENTS
- D638,006 S * 5/2011 Chang D14/250
- D663,294 S * 7/2012 Buxton D14/250
- D683,338 S * 5/2013 Wilson D14/250
- D709,486 S * 7/2014 Lin D14/250
- D720,739 S * 1/2015 Liu D14/250
- D726,170 S * 4/2015 Ng D14/250
- D755,772 S * 5/2016 Sasaki D14/250
- D766,226 S * 9/2016 Wu D14/250
- D766,227 S * 9/2016 Wu D14/250
- D767,551 S * 9/2016 Sasaki D14/250
- D780,166 S * 2/2017 Lin D14/250



(56)

References Cited

U.S. PATENT DOCUMENTS

D941,282 S * 1/2022 Bai D14/250
2012/0006950 A1* 1/2012 Vandiver F16M 13/00
248/176.3

* cited by examiner

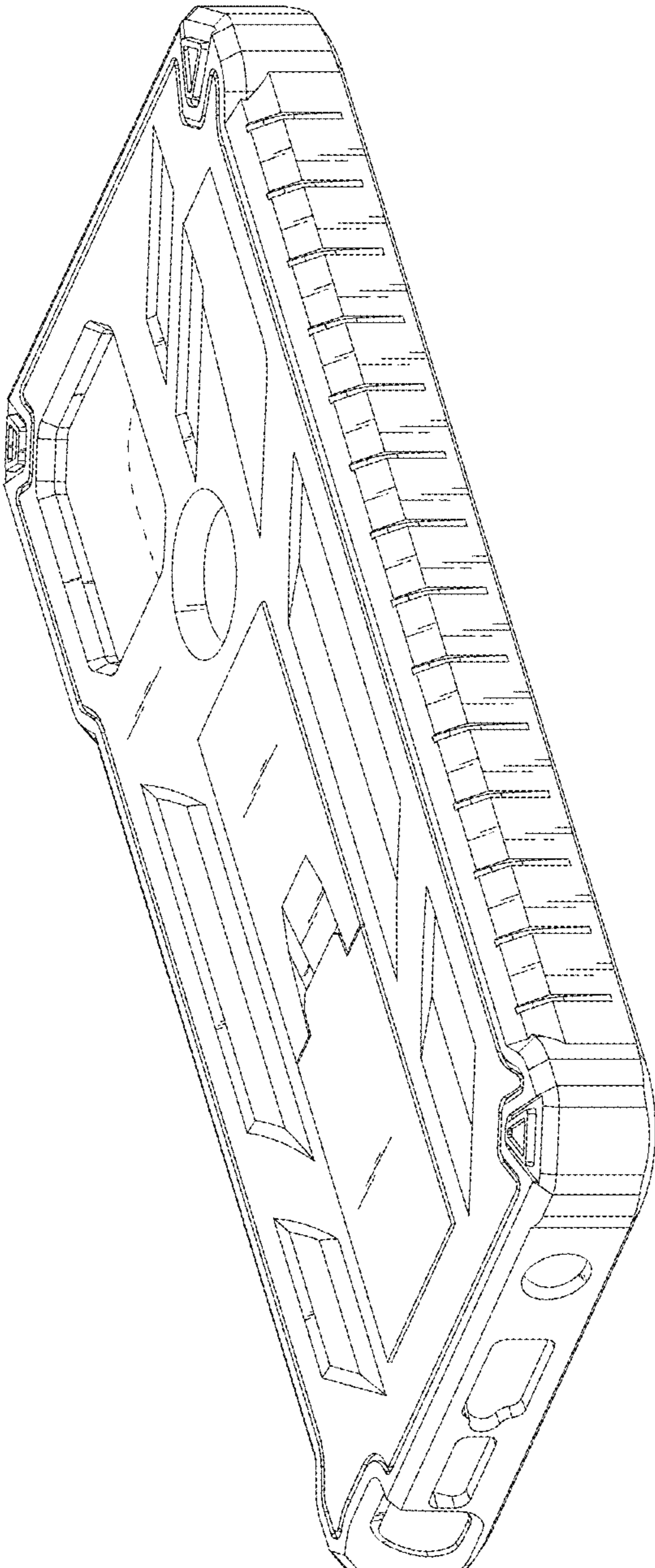


FIG. 1

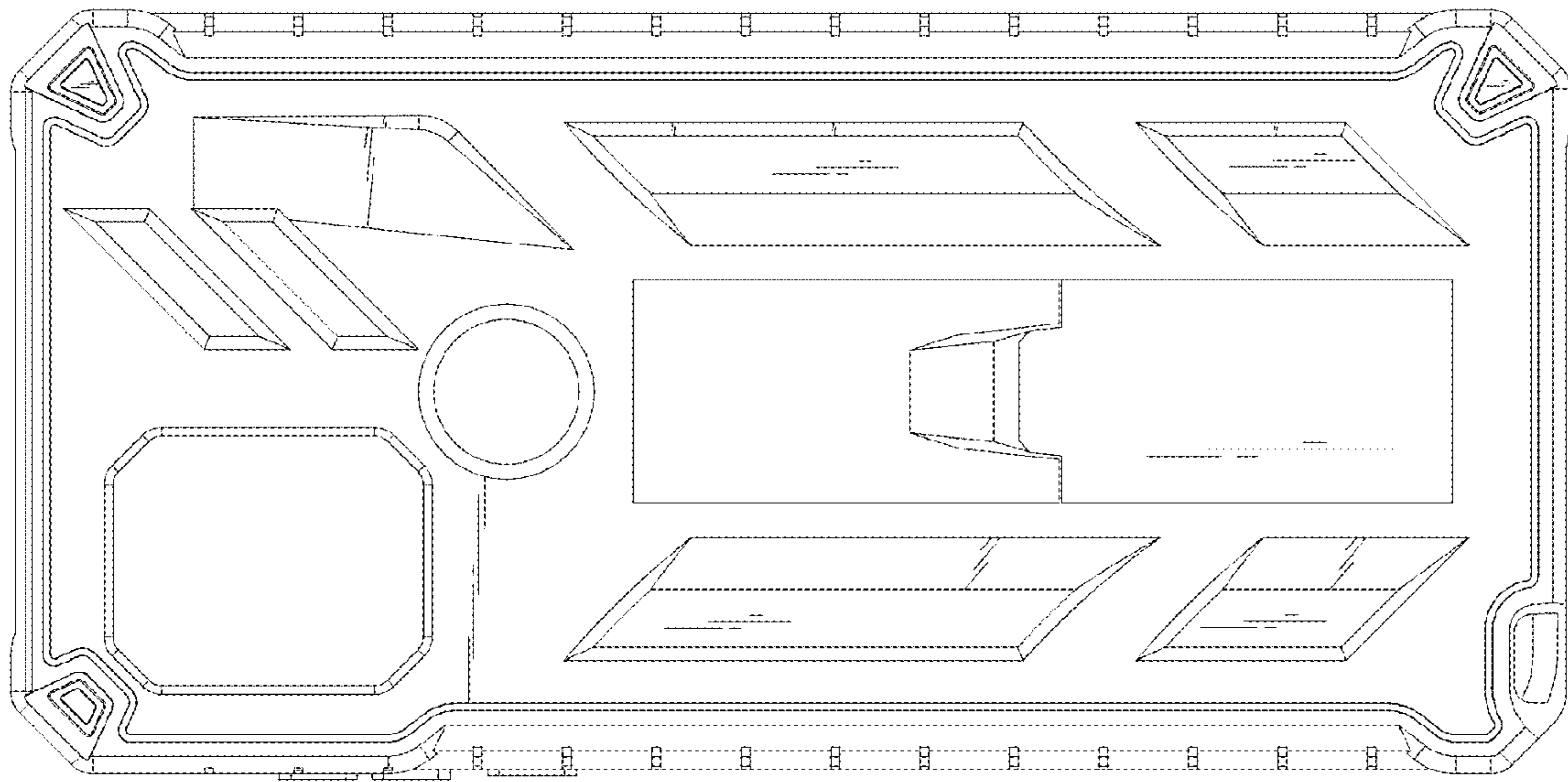


FIG. 2

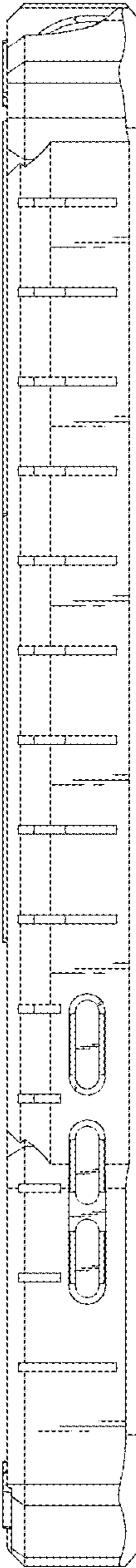


FIG. 3

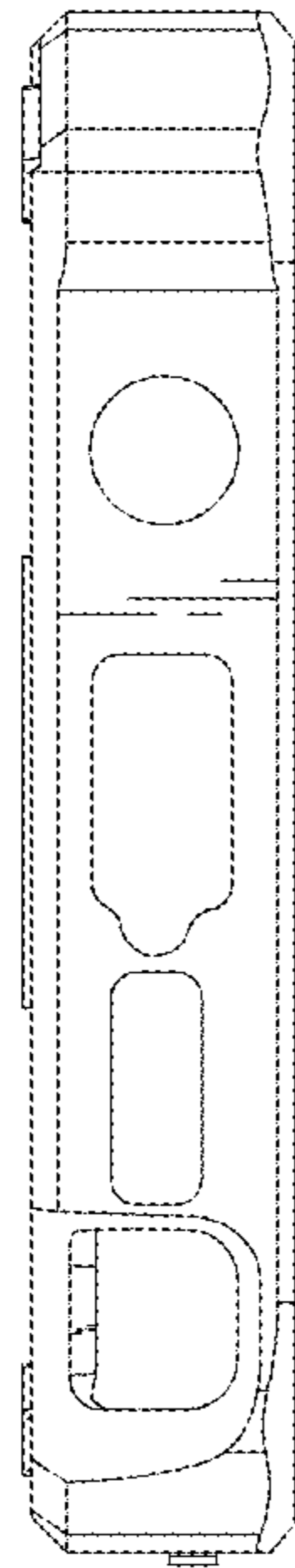


FIG. 4

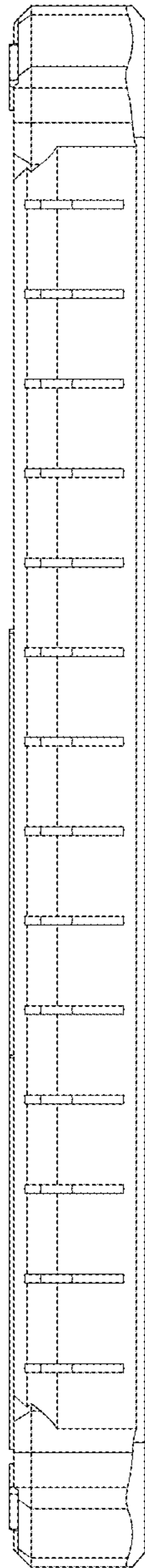


FIG. 5

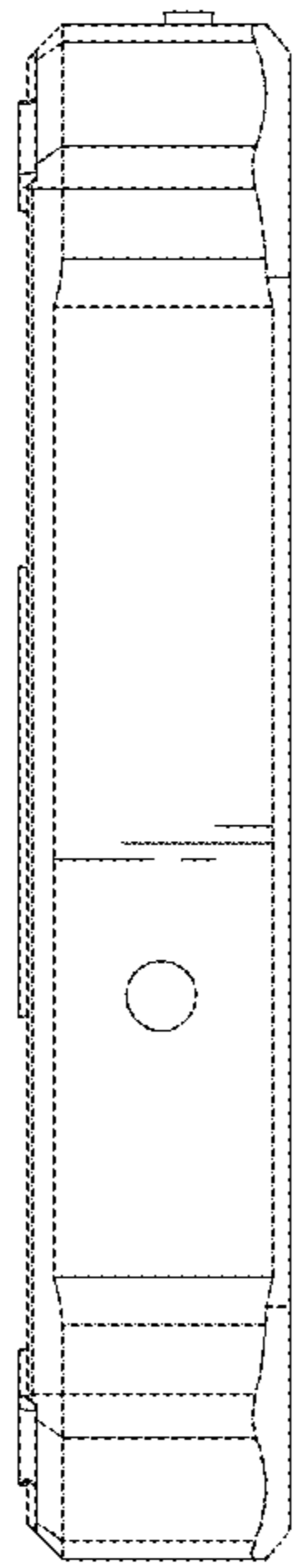


FIG. 6

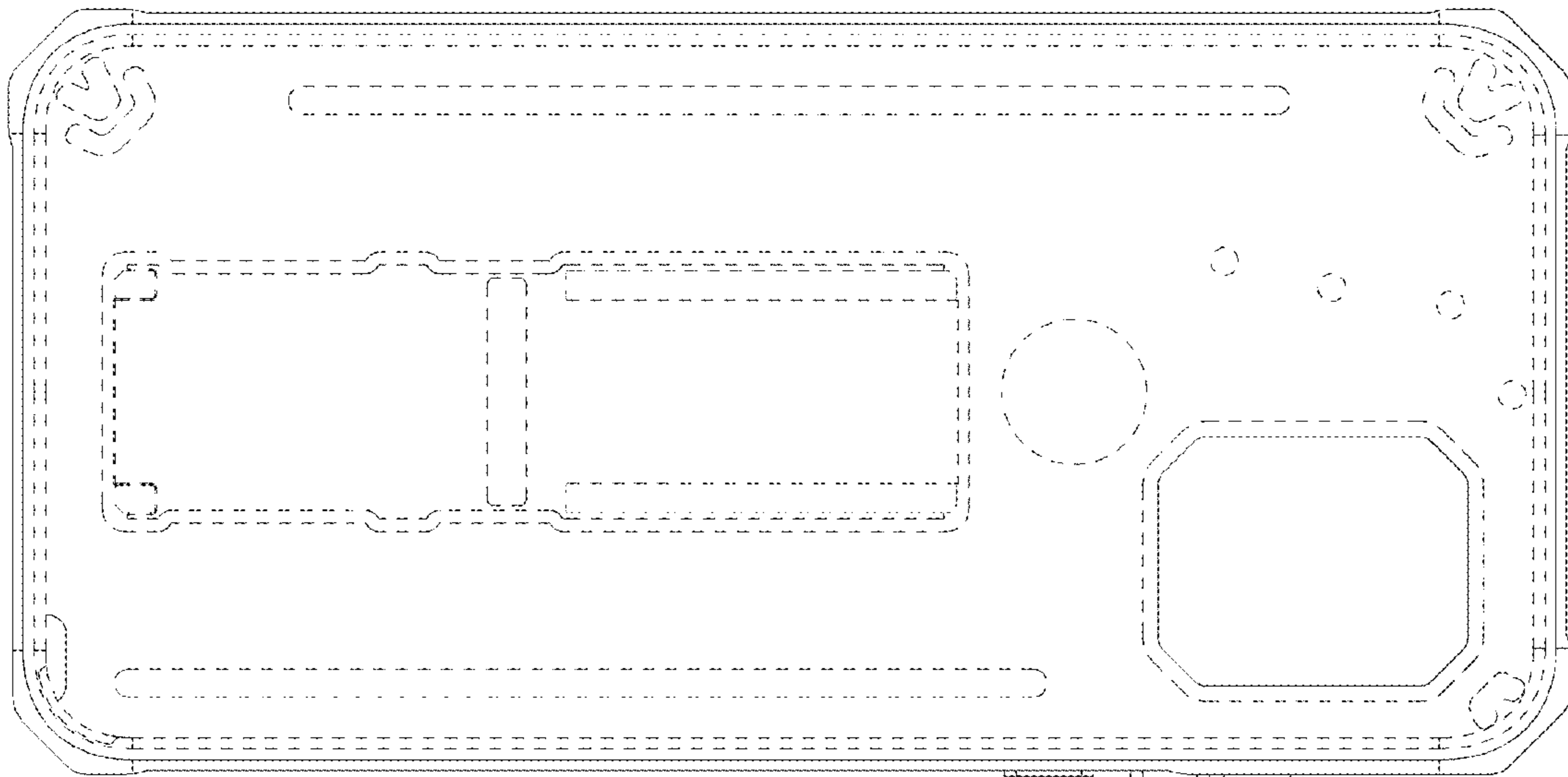


FIG. 7

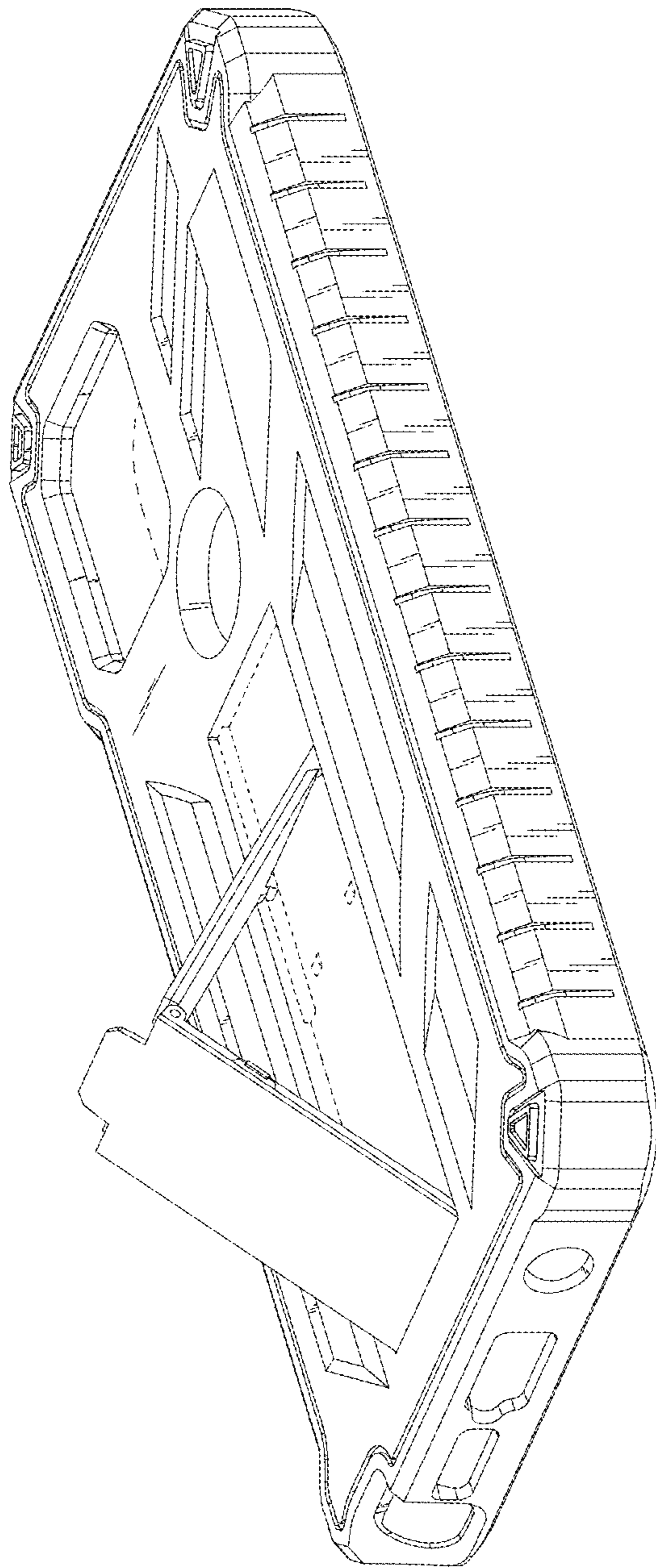


FIG. 8