



US00D975695S

(12) **United States Design Patent**
Hofstede

(10) **Patent No.:** **US D975,695 S**

(45) **Date of Patent:** **** Jan. 17, 2023**

(54) **ACOUSTIC COUPLER**

(71) Applicant: **Sonova AG, Stäfa (CH)**

(72) Inventor: **Angelique Hofstede, Delft (NL)**

(**) Term: **15 Years**

(21) Appl. No.: **35/513,773**

(22) Filed: **Feb. 24, 2022**

(80) **Hague Agreement Data**

Int. Filing Date: **Feb. 24, 2022**

Int. Reg. No.: **DM/219277**

Int. Reg. Date: **Feb. 24, 2022**

Int. Reg. Pub. Date: **Mar. 11, 2022**

(51) **LOC (14) Cl.** **14-03**

(52) **U.S. Cl.**
USPC **D14/242**

(58) **Field of Classification Search**

USPC D14/240, 242, 357, 358, 140-140.9, 155,
D14/125, 137, 139, 243, 348, 349, 351,
D14/354, 355

CPC H04L 12/00; H03K 17/00; H04W 88/00;
H04W 88/005; H04W 88/02; H04W
88/08; H04W 88/085; H04W 88/10;
H04W 88/12; H04W 88/14; H04B 1/38

See application file for complete search history.

(56) **References Cited**

U.S. PATENT DOCUMENTS

D273,111 S * 3/1984 Hirata D14/242
D586,810 S * 2/2009 Hershey D14/358

D587,268 S * 2/2009 Hershey D14/358
D592,213 S * 5/2009 Hershey D14/358
D720,730 S * 1/2015 Smith D14/242
D735,180 S * 7/2015 Smith D14/242
D753,098 S * 4/2016 Smith D14/242

FOREIGN PATENT DOCUMENTS

WO D219277-001 * 3/2022

* cited by examiner

Primary Examiner — Bridget L Eland

(57) **CLAIM**

The ornamental design for an acoustic coupler, as shown and described.

DESCRIPTION

1. Acoustic coupler

FIG. 1.1 is a top, front and left side perspective view of the acoustic coupler showing my new design;

FIG. 1.2 is a left side elevation view thereof;

FIG. 1.3 is a right side elevation view thereof;

FIG. 1.4 is a front elevation view thereof;

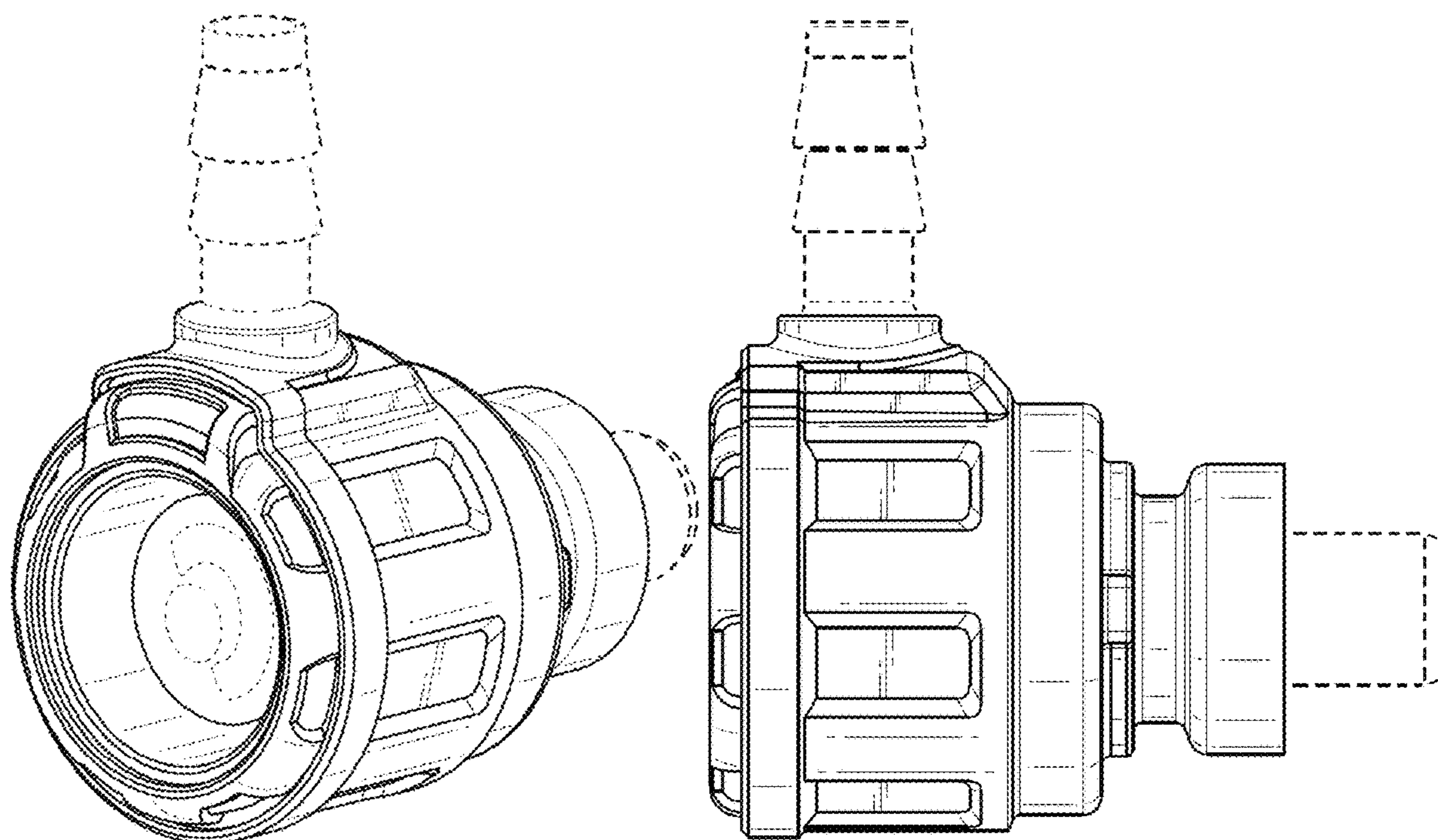
FIG. 1.5 is a rear elevation view thereof;

FIG. 1.6 is a top plan view thereof; and

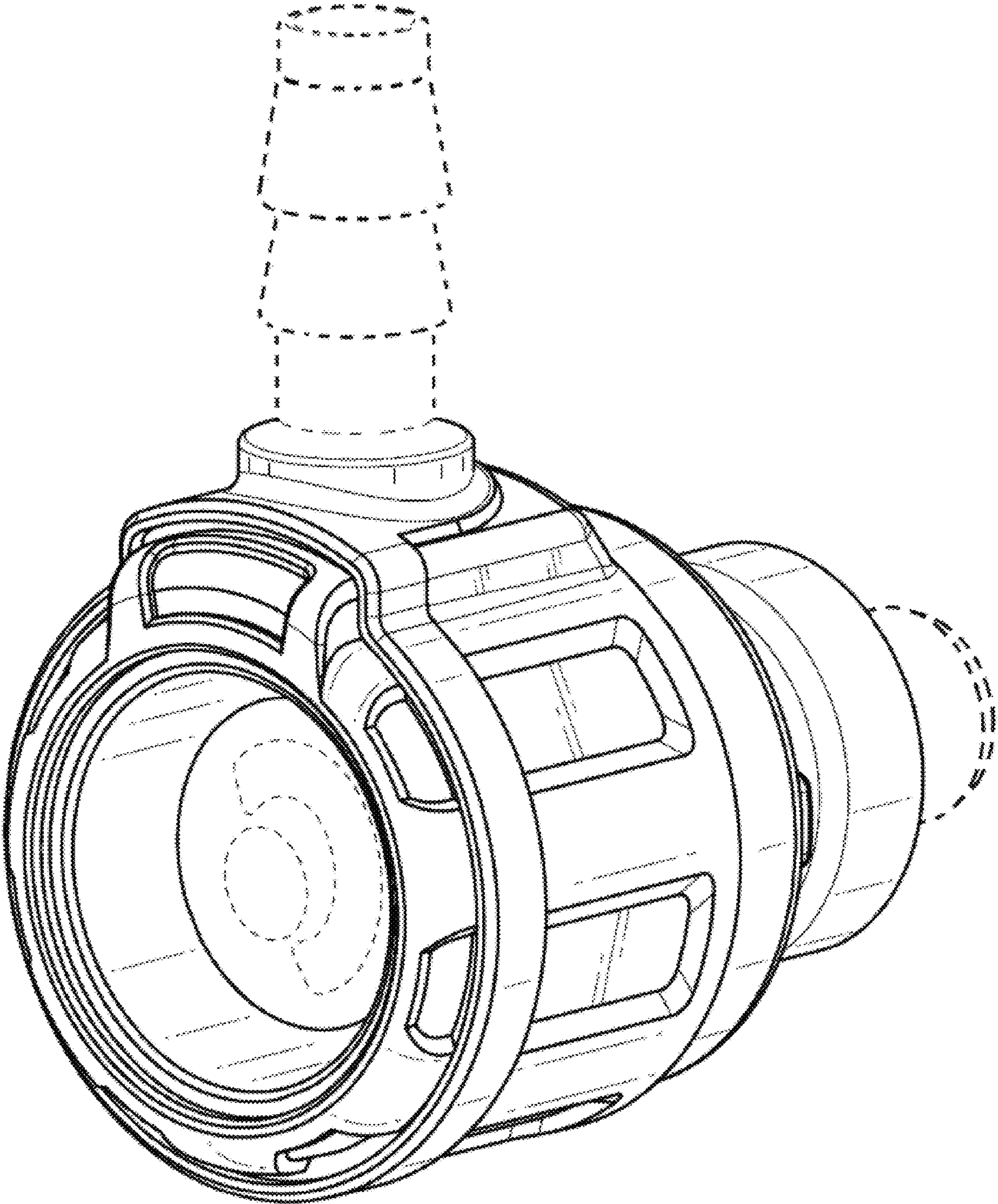
FIG. 1.7 is a bottom plan view thereof.

The broken lines in the drawings show portions of the acoustic coupler that form no part of the claimed design.

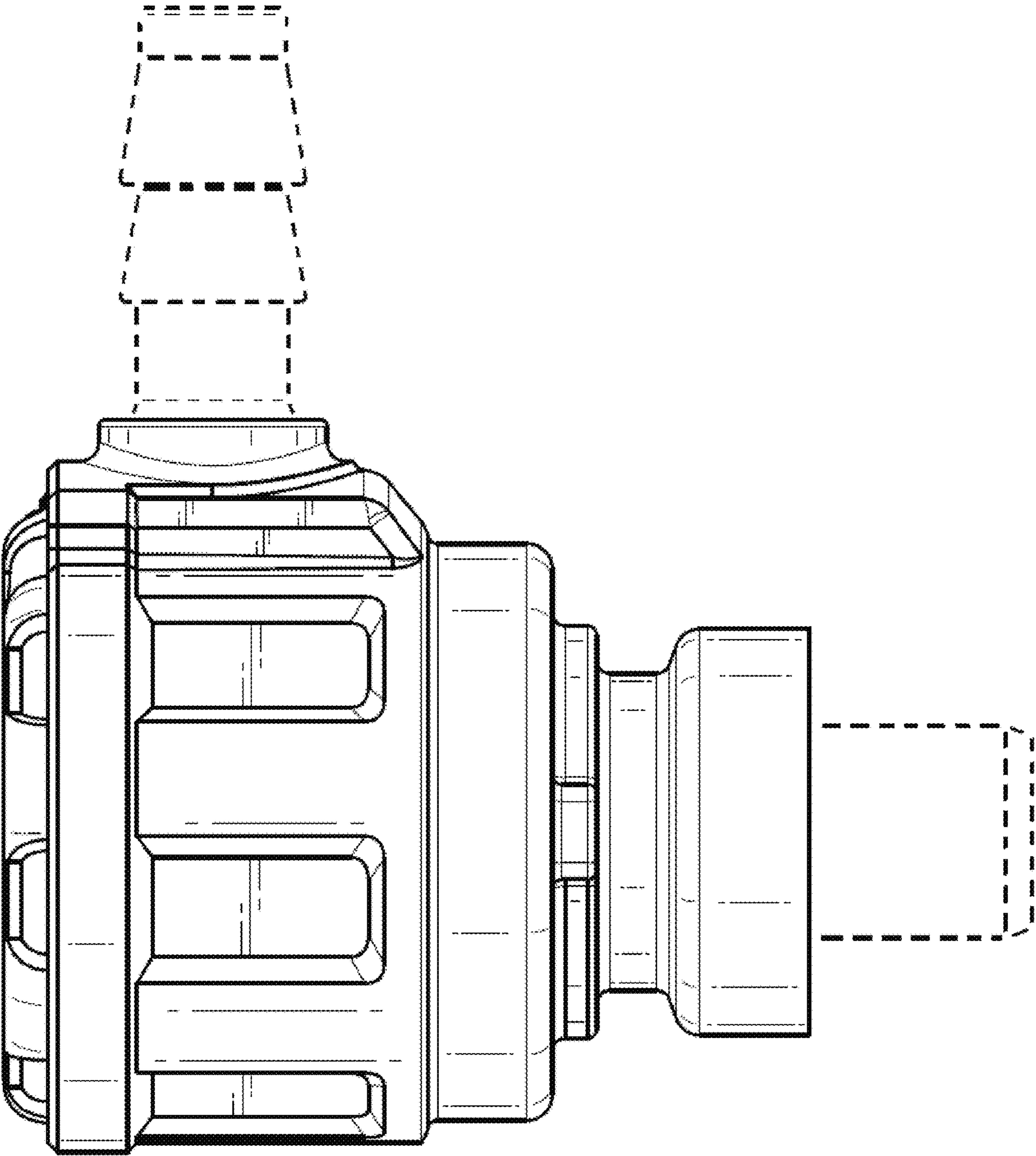
1 Claim, 7 Drawing Sheets



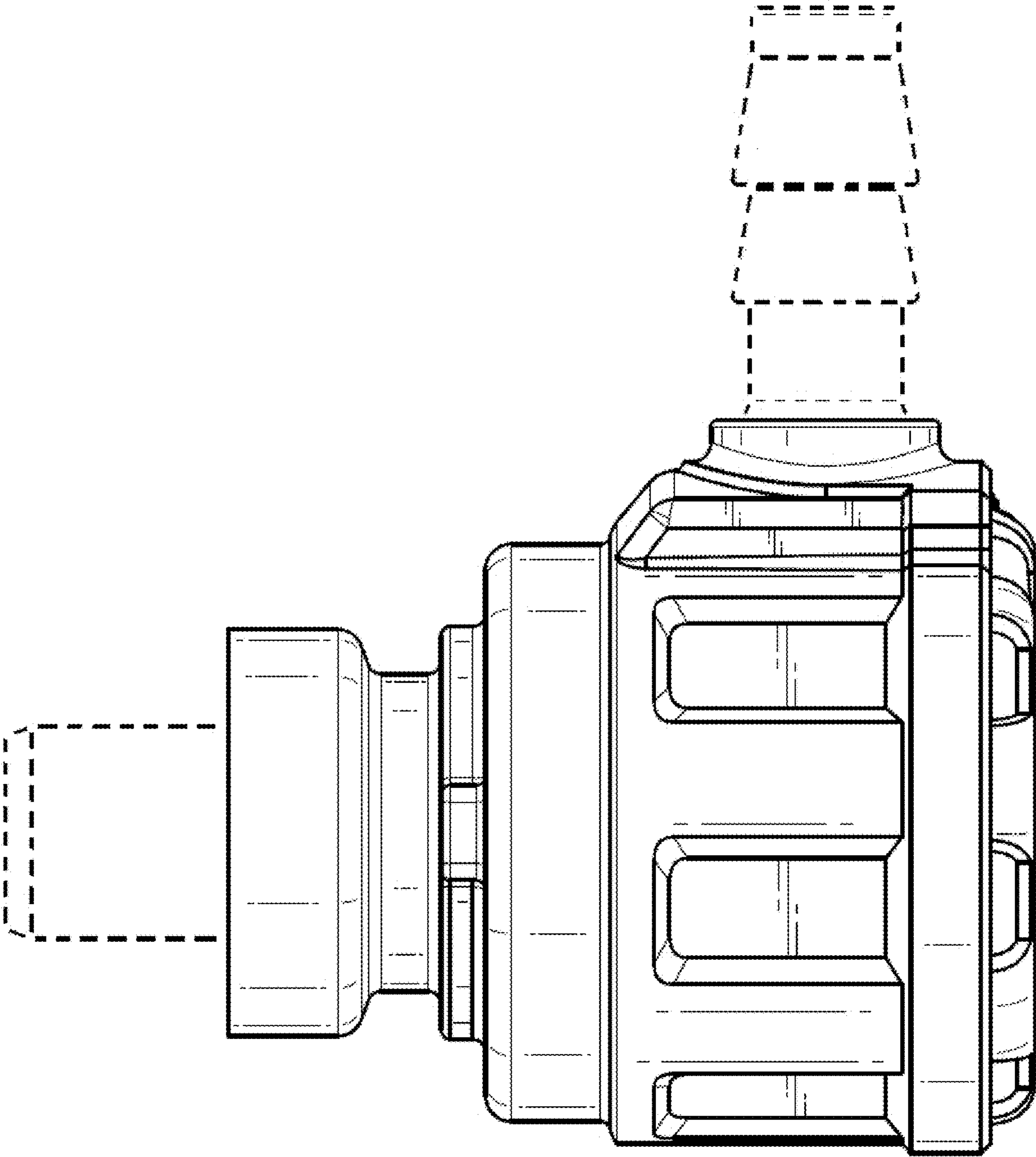
1.1



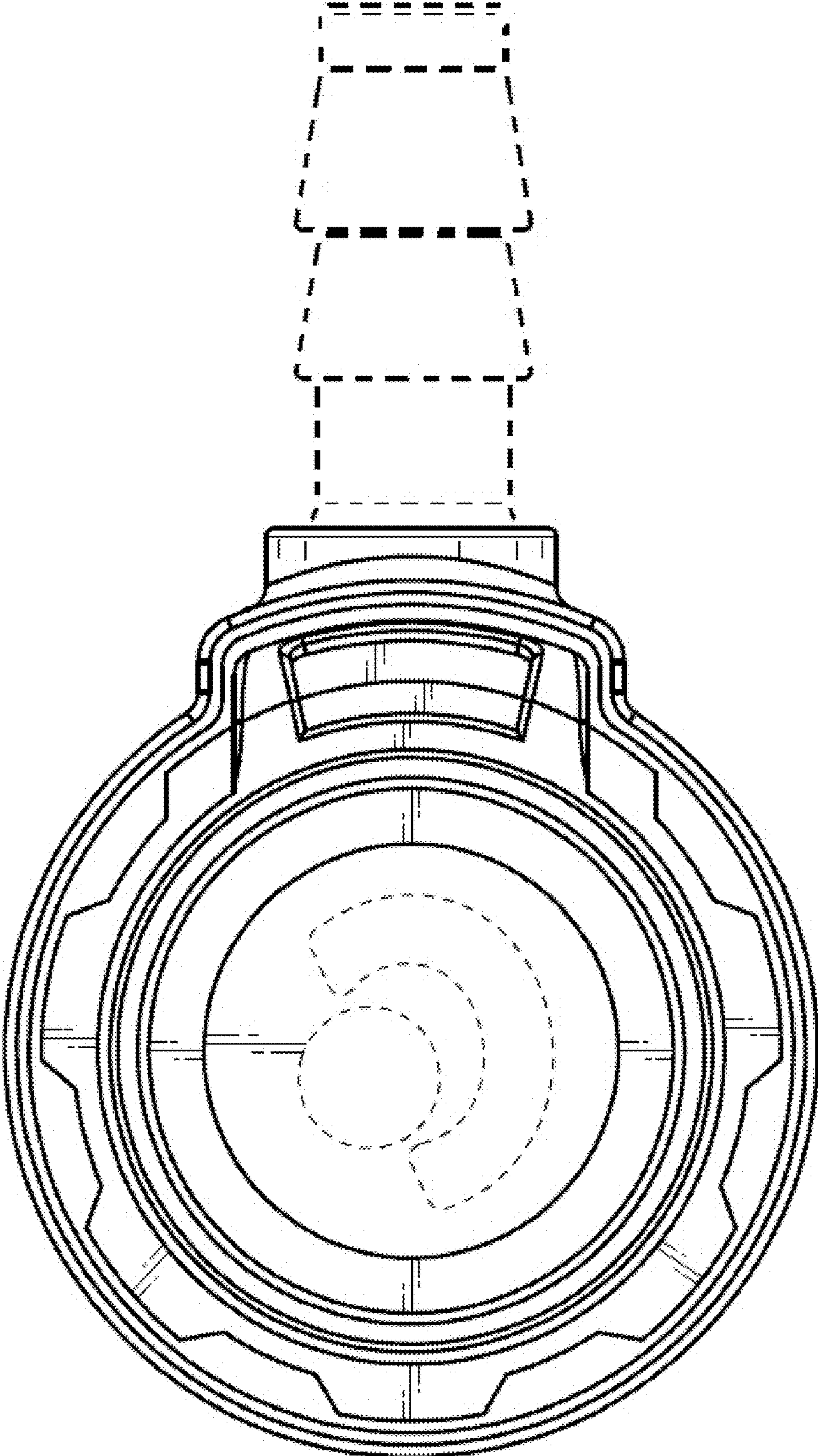
1.2



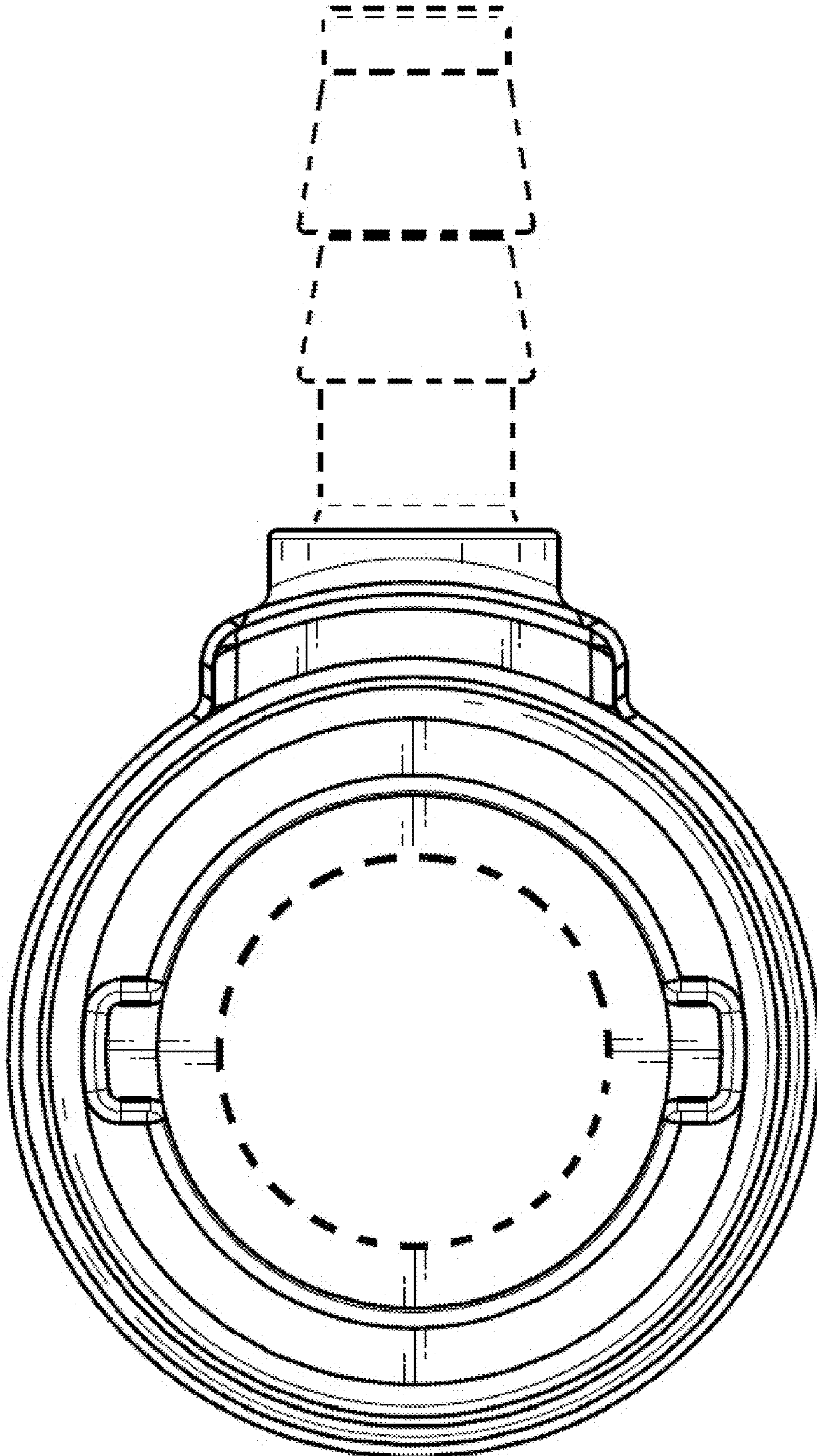
1.3



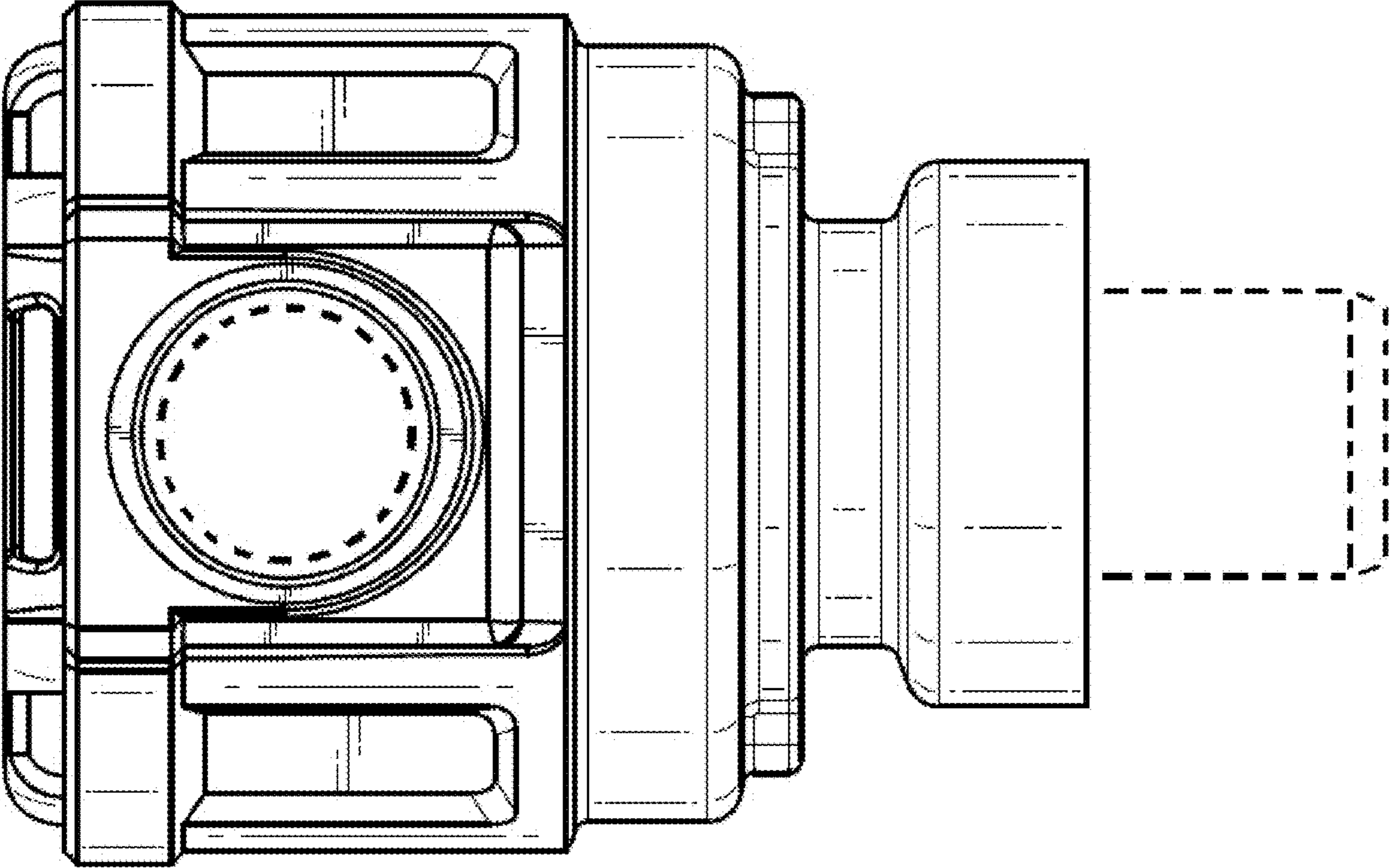
1.4



1.5



1.6



1.7

