



US00D975694S

(12) **United States Design Patent**
Kim et al.

(10) **Patent No.:** **US D975,694 S**

(45) **Date of Patent:** **** Jan. 17, 2023**

(54) **HOTSPOT ACCESSORY ADAPTER**

(71) Applicant: **INSEEGO CORP.**, San Diego, CA
(US)

(72) Inventors: **Sean Kim**, San Diego, CA (US); **Pedro Gutierrez**, San Diego, CA (US)

(73) Assignee: **INSEEGO, CORP.**, San Diego, CA
(US)

(**) Term: **15 Years**

(21) Appl. No.: **29/753,447**

(22) Filed: **Sep. 30, 2020**

(51) **LOC (14) Cl.** **14-03**

(52) **U.S. Cl.**
USPC **D14/240**; D14/358; D14/433

(58) **Field of Classification Search**
USPC D14/356, 357, 358, 217, 251–253, 432,
D14/433, 434, 435, 435.1, 240, 299, 496,
D14/140.1, 140.6, 155, 171, 172, 168,
D14/129, 447; D16/202, 208, 219
CPC G06F 1/1632; G06F 13/382; G06F 13/385;
G06F 13/387; G06F 15/1735; G06F
2212/303; G06F 2213/3808; G06F
2213/3814; H04W 88/00; H04W 88/005;
H04W 88/02; H04W 88/08; H04W
88/085; H04W 92/18; H04W 92/20;
H04N 5/2253

See application file for complete search history.

(56) **References Cited**

U.S. PATENT DOCUMENTS

D379,463 S *	5/1997	Richter	D14/253
D388,107 S *	12/1997	Huckins	D16/208
D411,542 S *	6/1999	Richter	D14/253
D431,250 S *	9/2000	Richter	D14/447
D456,024 S *	4/2002	Richter	D14/434
D490,080 S *	5/2004	Alviar	D14/433
D529,905 S *	10/2006	Richter	D14/447
D535,988 S *	1/2007	Kettula	D14/253

D540,359 S *	4/2007	Renkis	D16/208
D551,668 S *	9/2007	Newby	D14/433
D552,610 S *	10/2007	Newby	D14/433
D566,118 S *	4/2008	Brassard	D14/434
D570,844 S *	6/2008	Liu	D14/433
D606,065 S *	12/2009	Rihu	D14/253
D607,482 S *	1/2010	Inoue	D16/208

(Continued)

Primary Examiner — Marie D. Fast Horse

(74) *Attorney, Agent, or Firm* — Sheppard, Mullin,
Richter & Hampton LLP; Hector A. Agdeppa; Daniel N.
Yannuzzi

(57) **CLAIM**

We claim the ornamental design for a hotspot accessory adapter, as shown and described.

DESCRIPTION

FIG. 1 is a top perspective view of a hotspot accessory adapter in accordance with our new design, shown in a position for use within its environment;

FIG. 2 is an exploded top perspective view thereof, shown with its environment;

FIG. 3 is another top perspective view thereof, shown in an alternate position within its environment;

FIG. 4 is a top view thereof;

FIG. 5 is a bottom view thereof;

FIG. 6 is a first side view thereof, the opposite side being identical; and

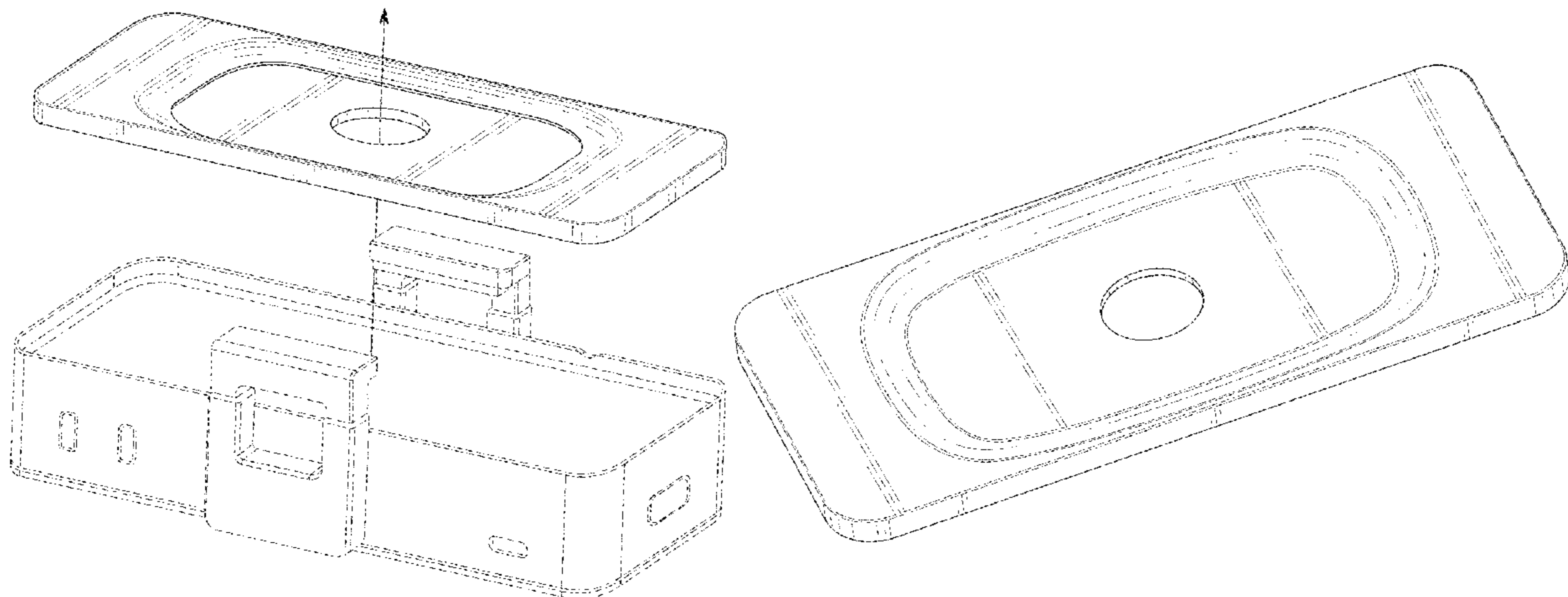
FIG. 7 is a second side view thereof, the opposite side being identical.

FIG. 8 is a top perspective view of a hotspot accessory adapter in accordance with a second embodiment of our new design, the remaining views are identical to that of the first embodiment; and,

FIG. 9 is a bottom perspective view of the hotspot accessory adapter in accordance with our new design for both embodiments.

The dashed lines depict unclaimed environment only and form no part of the claimed design.

1 Claim, 8 Drawing Sheets



(56)

References Cited

U.S. PATENT DOCUMENTS

D620,514 S * 7/2010 Kim D16/208
 D626,953 S * 11/2010 Wilson D14/252
 D636,424 S * 4/2011 Lin D16/202
 D685,380 S * 7/2013 Richter D14/447
 D685,774 S * 7/2013 Kim D14/240
 D685,804 S * 7/2013 Richter D14/447
 D707,672 S * 6/2014 Lai D14/253
 D712,394 S * 9/2014 Booth D14/253
 D746,348 S * 12/2015 Park D16/203
 D749,596 S * 2/2016 Khodapanah D14/447
 D752,571 S * 3/2016 Richter D14/253
 D772,218 S * 11/2016 Alesi D14/253
 D777,675 S * 1/2017 Miller D13/144
 D785,638 S * 5/2017 Hsu D14/447
 D815,181 S * 4/2018 Ahman D16/219
 D824,987 S * 8/2018 Boling D16/208
 D831,725 S * 10/2018 Meneses D16/208
 D832,253 S * 10/2018 Delibie D14/240

D838,246 S * 1/2019 Miller D13/144
 D844,006 S * 3/2019 Molnár D14/358
 D847,800 S * 5/2019 Wengreen D14/251
 D853,400 S * 7/2019 Baldree H04W 4/02
 D861,541 S * 10/2019 Yan D12/114
 D872,014 S * 1/2020 Zhang D14/253
 D877,066 S * 3/2020 Zhang D12/415
 D878,381 S * 3/2020 Li D14/447
 D881,200 S * 4/2020 Leeds-Frank D14/447
 D884,055 S * 5/2020 Jeong D16/208
 D887,417 S * 6/2020 Yarbough D14/447
 D896,177 S * 9/2020 Zheng D13/108
 D899,429 S * 10/2020 Akana D14/439
 D901,482 S * 11/2020 Koo D14/253
 D902,897 S * 11/2020 Zhou D14/358
 D934,235 S * 10/2021 Liao D14/253
 D939,512 S * 12/2021 Akana D14/439
 D946,492 S * 3/2022 Qu D12/415
 2022/0132076 A1 * 4/2022 Picker H04N 7/183

* cited by examiner

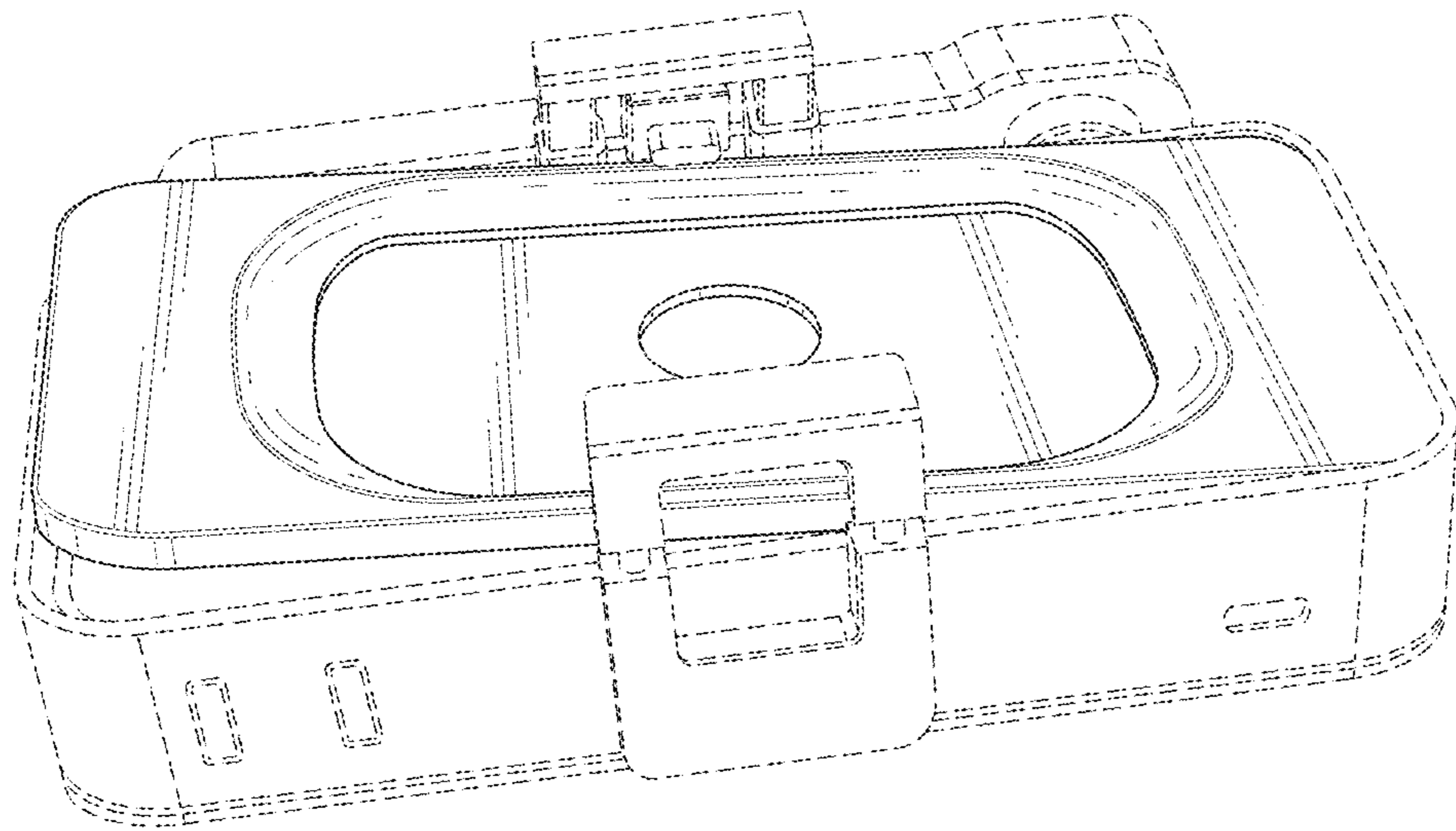


FIG. 1

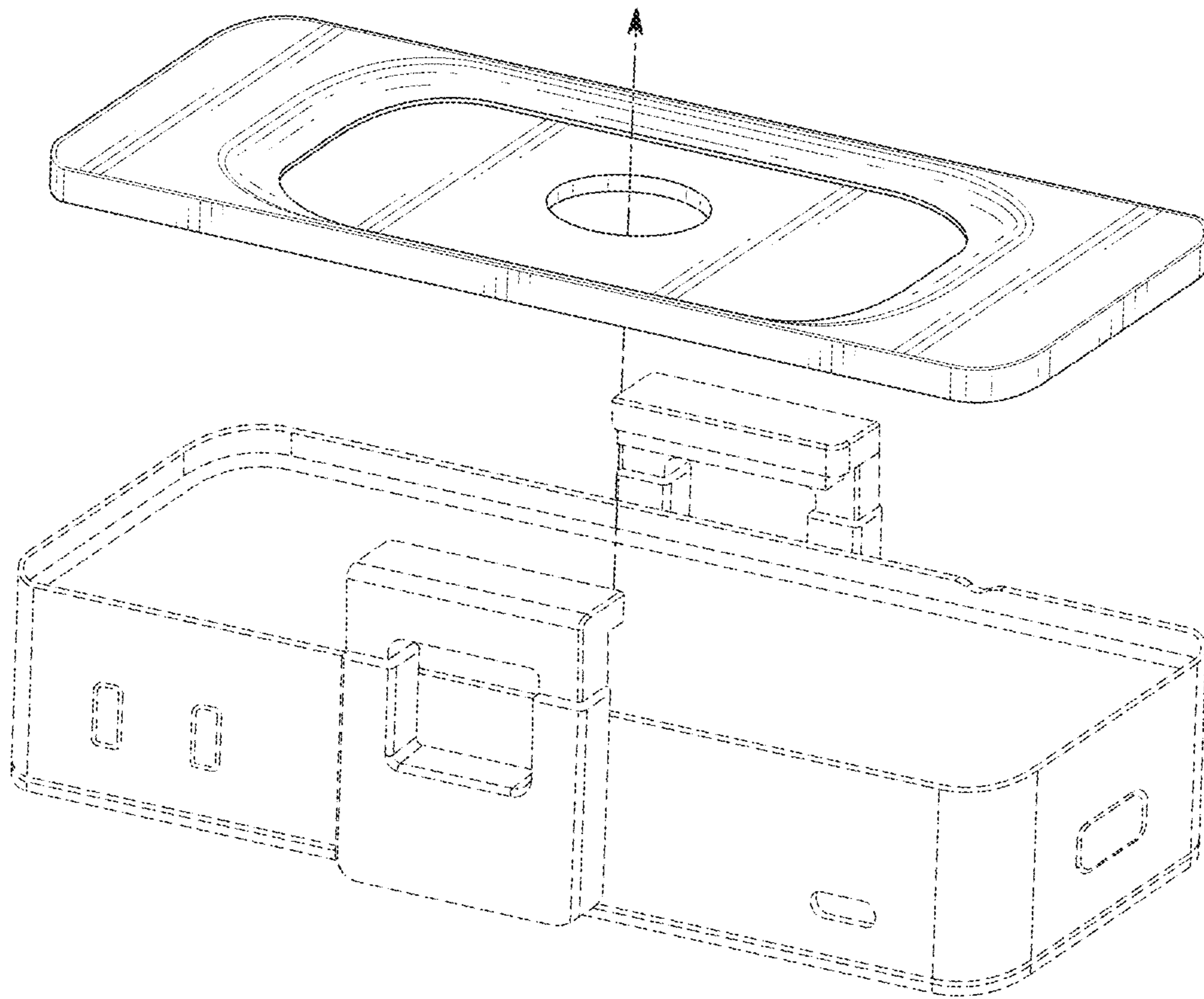


FIG. 2

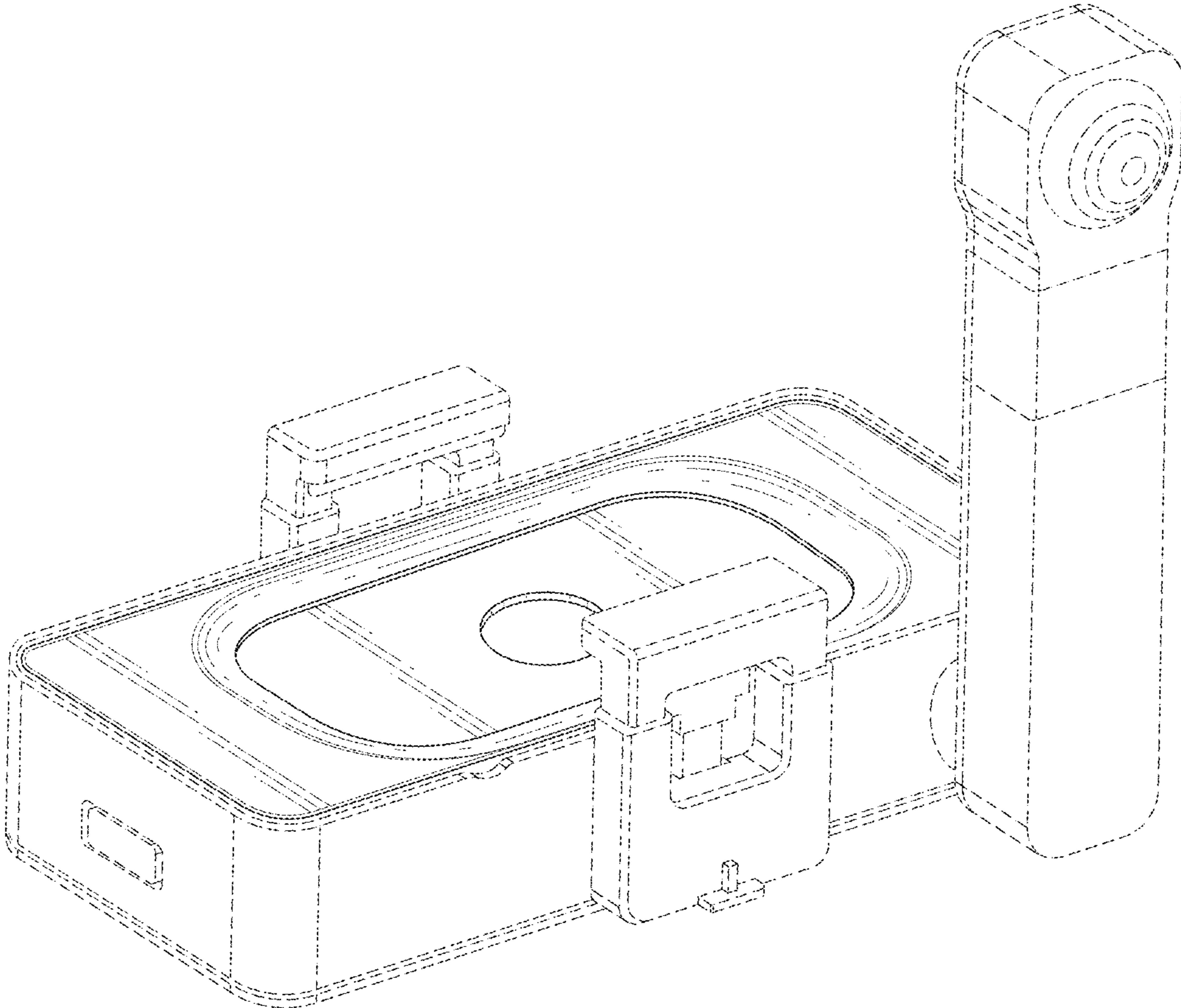


FIG. 3

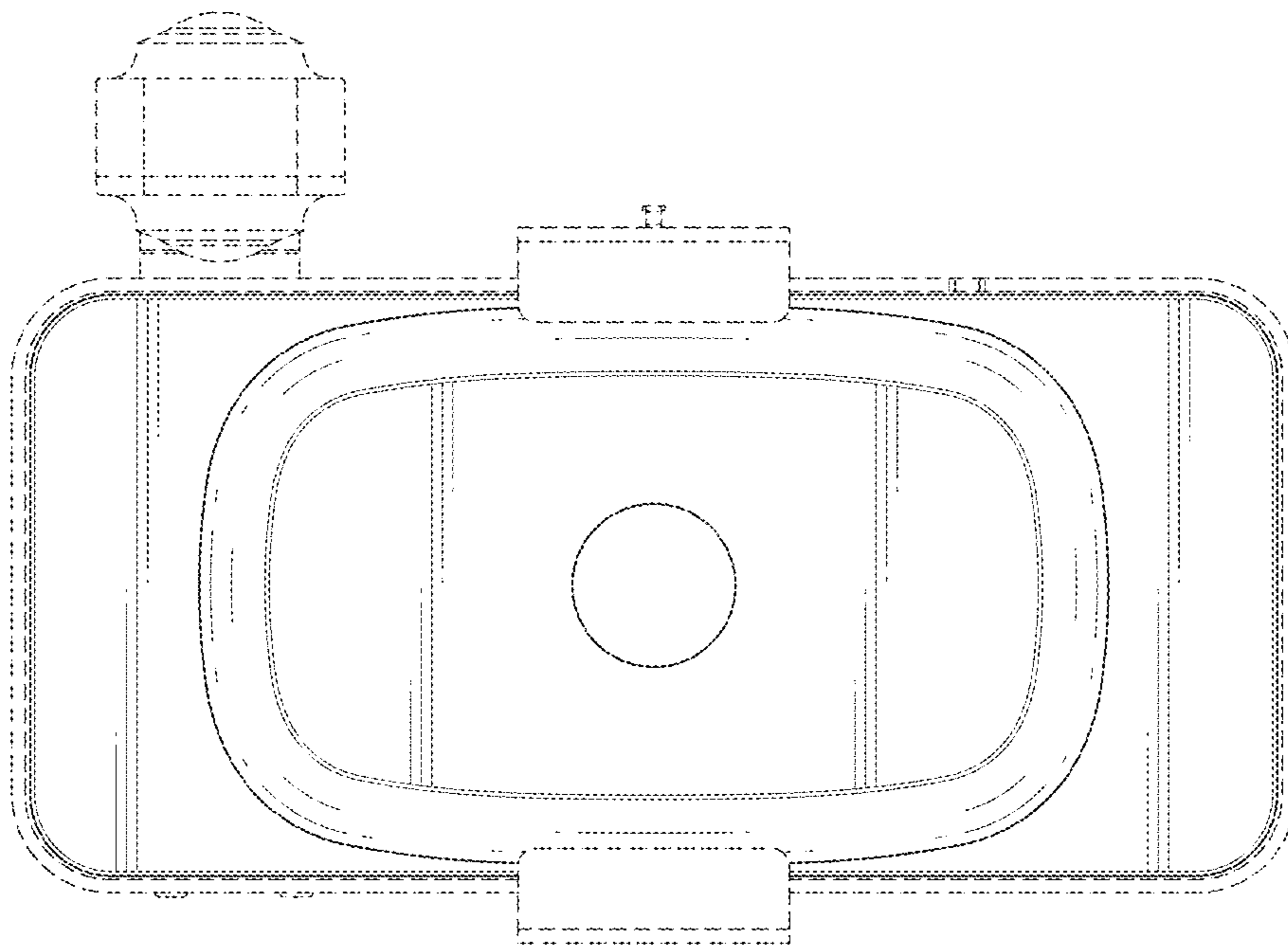


FIG. 4

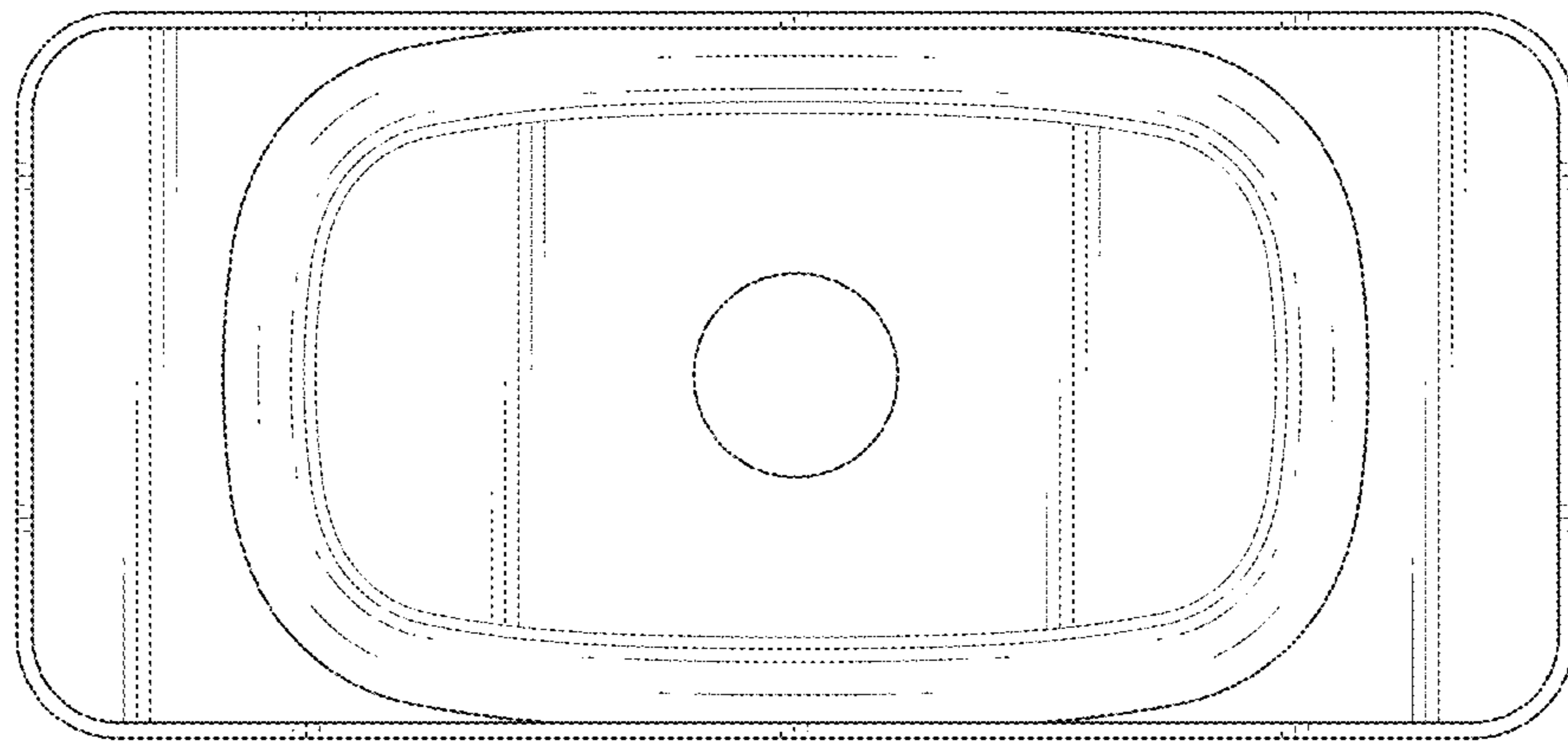


FIG. 5

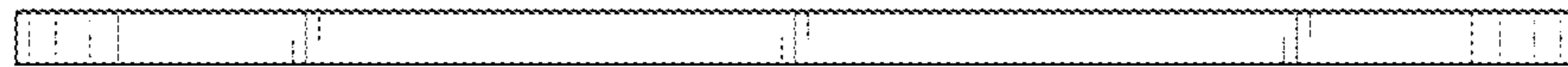


FIG. 6



FIG. 7

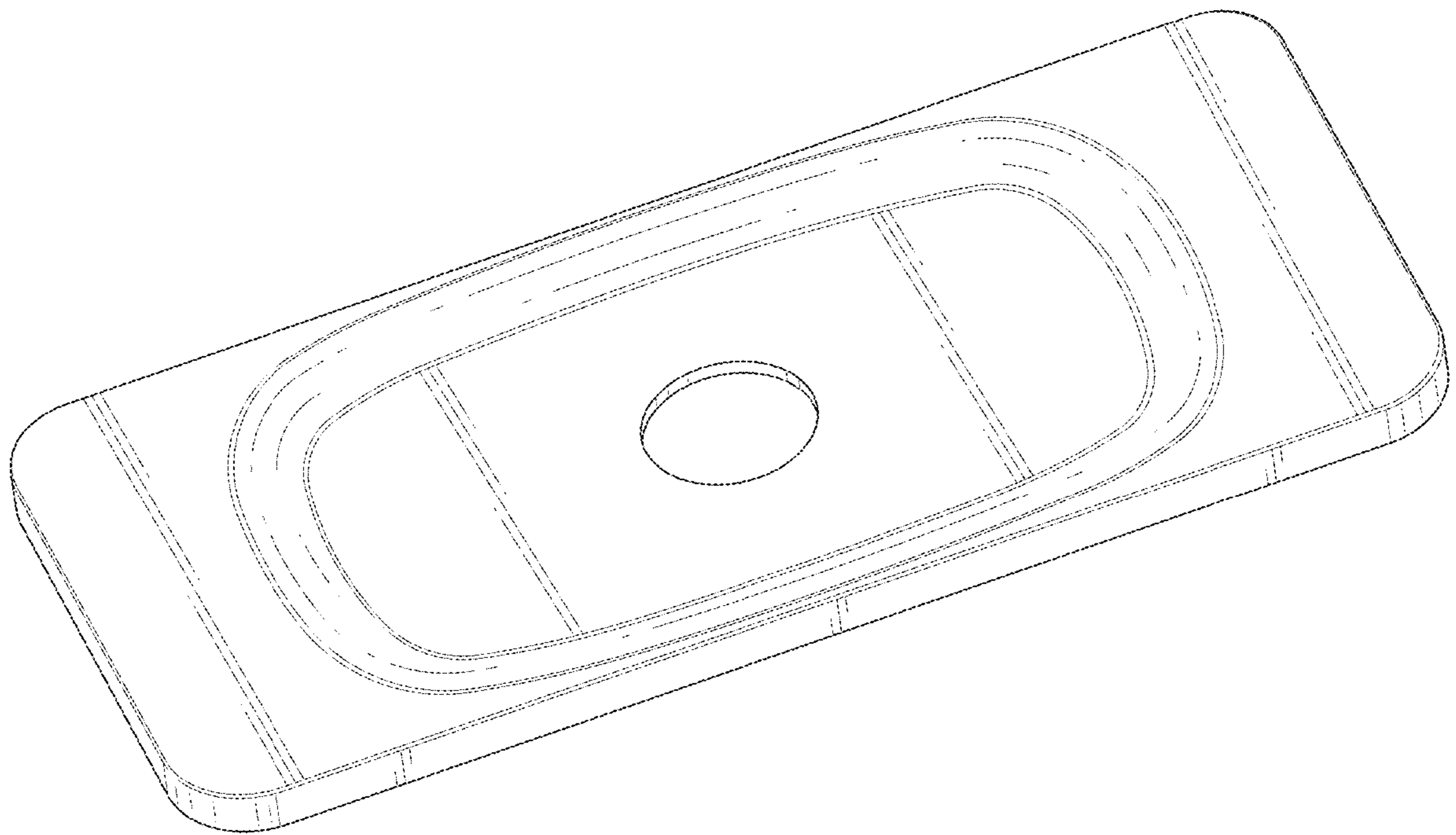


FIG. 8

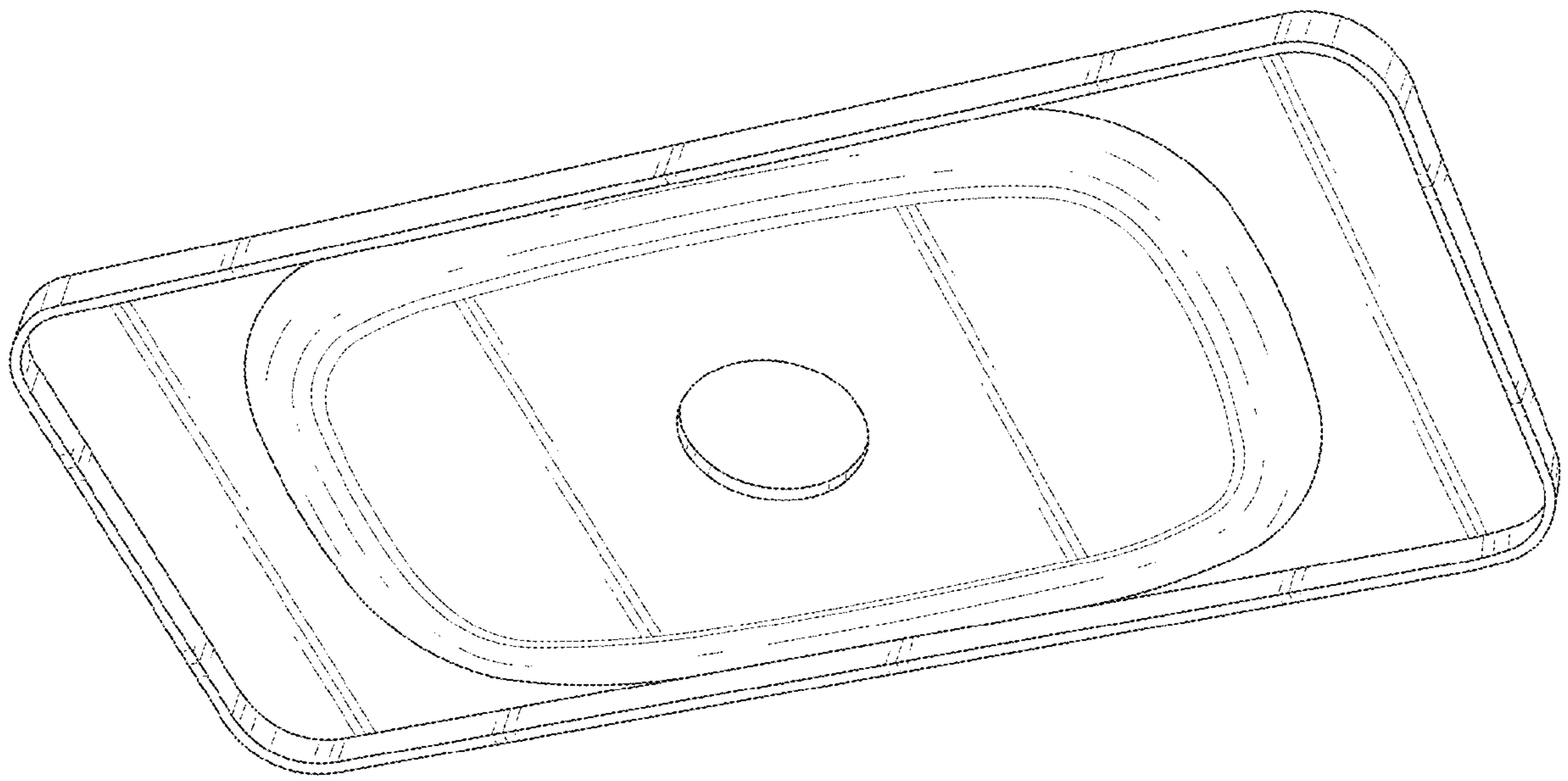


FIG. 9