



US00D975693S

(12) **United States Design Patent**
Yan et al.

(10) **Patent No.:** **US D975,693 S**
(45) **Date of Patent:** **** Jan. 17, 2023**

(54) **ROUTER**

FOREIGN PATENT DOCUMENTS

(71) Applicant: **Shenzhen Renqing Excellent Technology Co., Ltd.**, Shenzhen (CN)

CN 202030279907.2 * 12/2020
EM 008073381-0003 * 8/2020

(72) Inventors: **Yicheng Yan**, Shenzhen (CN); **Zhuoxi Lin**, Shenzhen (CN)

OTHER PUBLICATIONS

(73) Assignee: **SHENZHEN RENQING EXCELLENT TECHNOLOGY CO., LTD.**, Shenzhen (CN)

[WiFi Router—Routers for Wireless Internet]. available in Amazon.com, date first available Nov. 22, 2020 [online], [site visited Mar. 1, 2022], Available from the internet URL: https://www.amazon.com/dp/B08JPQFS1R/ref=as_sl_pc_tf_til? (Year: 2020).*

(**) Term: **15 Years**

* cited by examiner

(21) Appl. No.: **29/746,286**

Primary Examiner — Khawaja Anwar

(22) Filed: **Aug. 13, 2020**

Assistant Examiner — Megan Tiana Rakos

(51) **LOC (14) Cl.** **14-03**

(74) *Attorney, Agent, or Firm* — Leong C. Lei

(52) **U.S. Cl.**

(57) **CLAIM**

USPC **D14/240**

The ornamental design for a router, as shown and described.

(58) **Field of Classification Search**

DESCRIPTION

USPC D10/104.1, 105, 106.6; D14/125, 188,
D14/217, 230, 235, 240, 242
CPC ... H04W 16/20; H04W 88/002; H04W 88/02;
H04W 2288/08

See application file for complete search history.

FIG. 1 is a perspective view of a router showing our present design;

FIG. 2 is a front view thereof;

FIG. 3 is a rear view thereof;

FIG. 4 is a left side view thereof;

FIG. 5 is a right side view thereof;

FIG. 6 is a top view thereof;

FIG. 7 is a bottom view thereof; and,

FIG. 8 is a perspective view of the router in a use state.

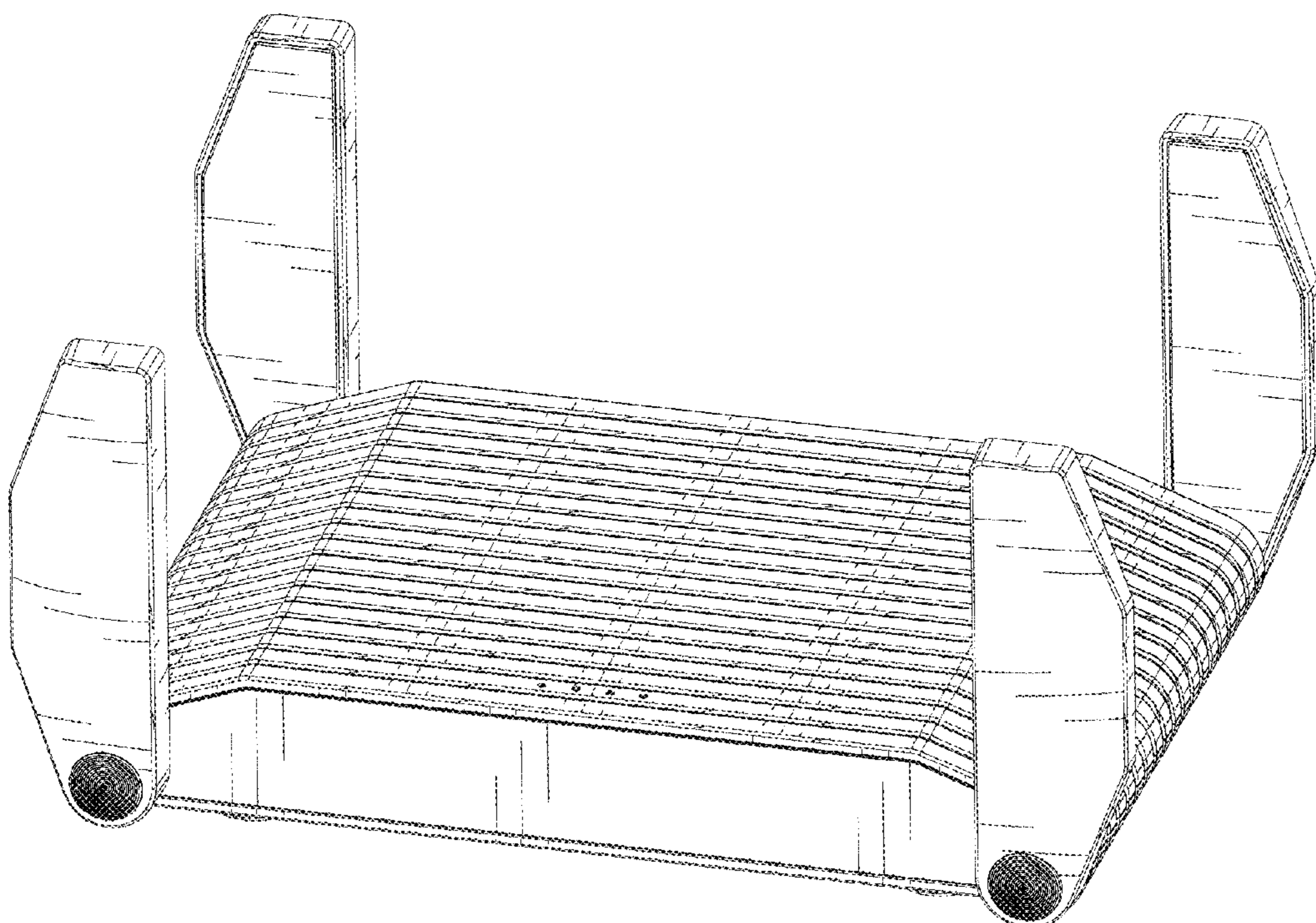
The broken lines in the drawings illustrate portions of the router which form no part of the claimed design.

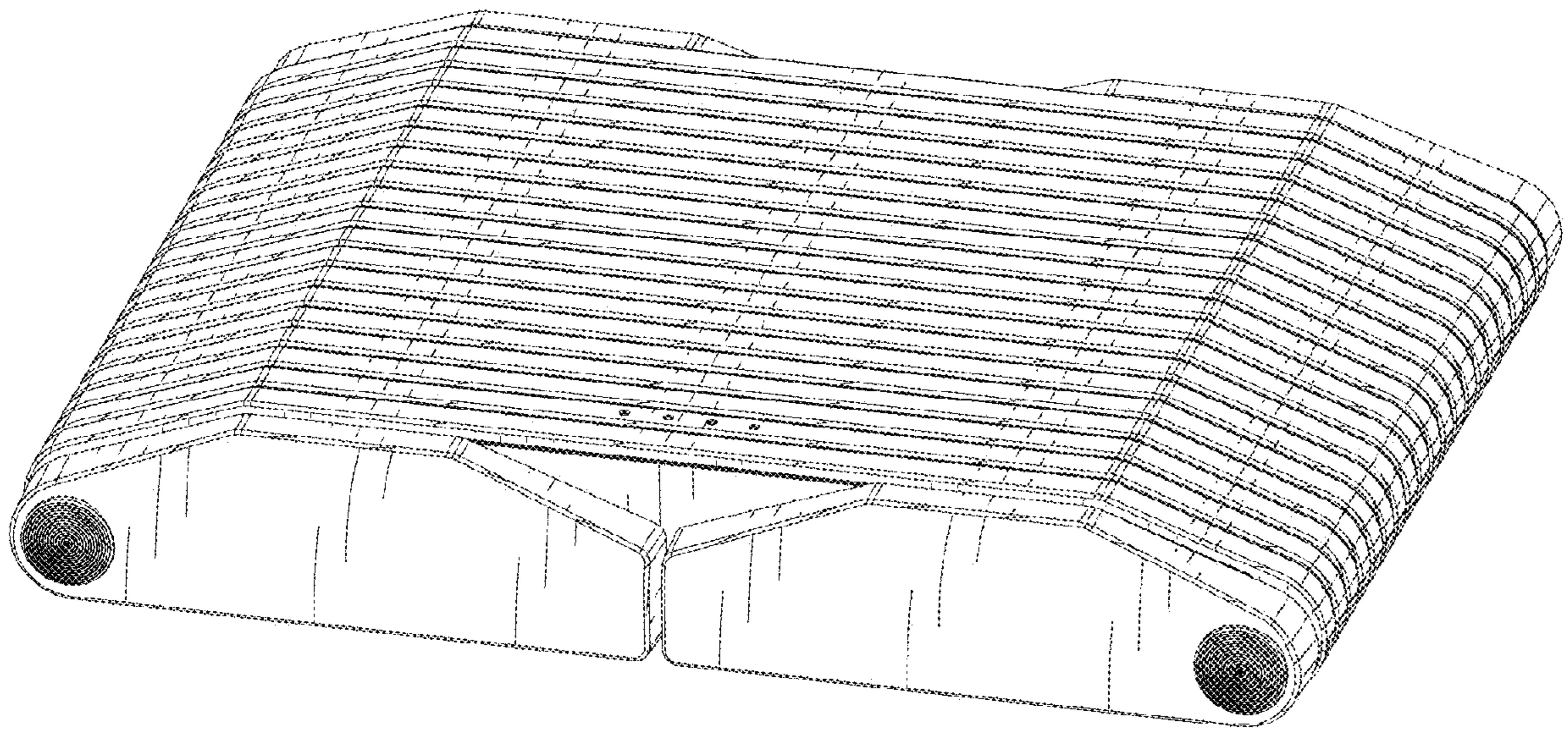
(56) **References Cited**

U.S. PATENT DOCUMENTS

D600,232 S * 9/2009 Lee D14/137
D642,166 S * 7/2011 Beans, Jr. D14/242
D769,232 S * 10/2016 Chu D14/242
D817,941 S * 5/2018 Wang D14/242
D862,426 S * 10/2019 Benedetti D14/230
D912,031 S * 3/2021 He D14/242

1 Claim, 8 Drawing Sheets





F I G. 1

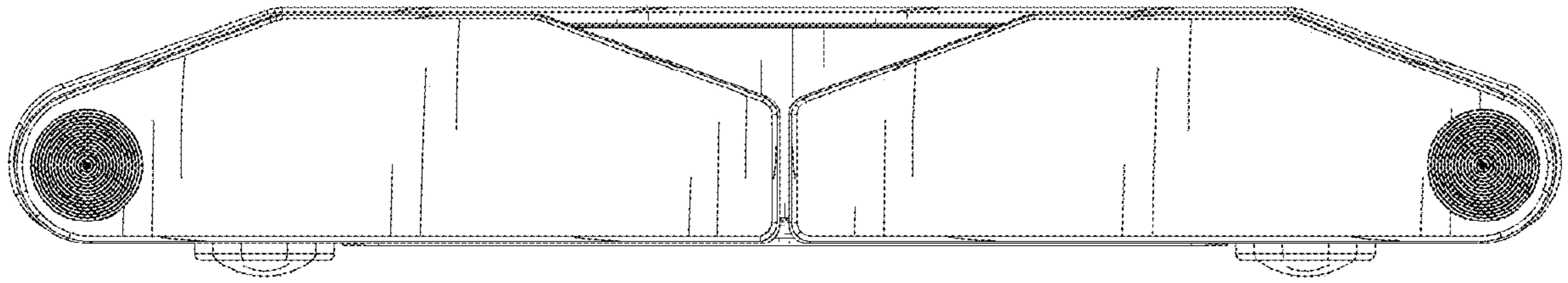


FIG. 2

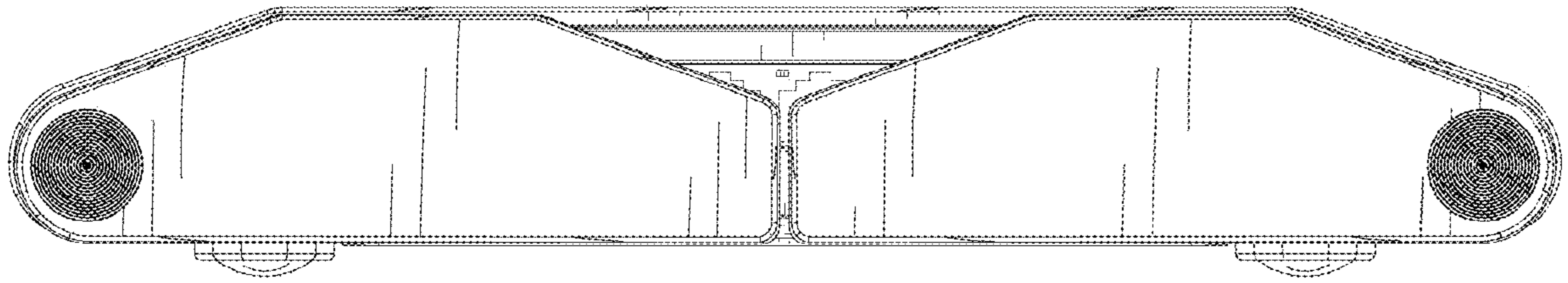


FIG. 3

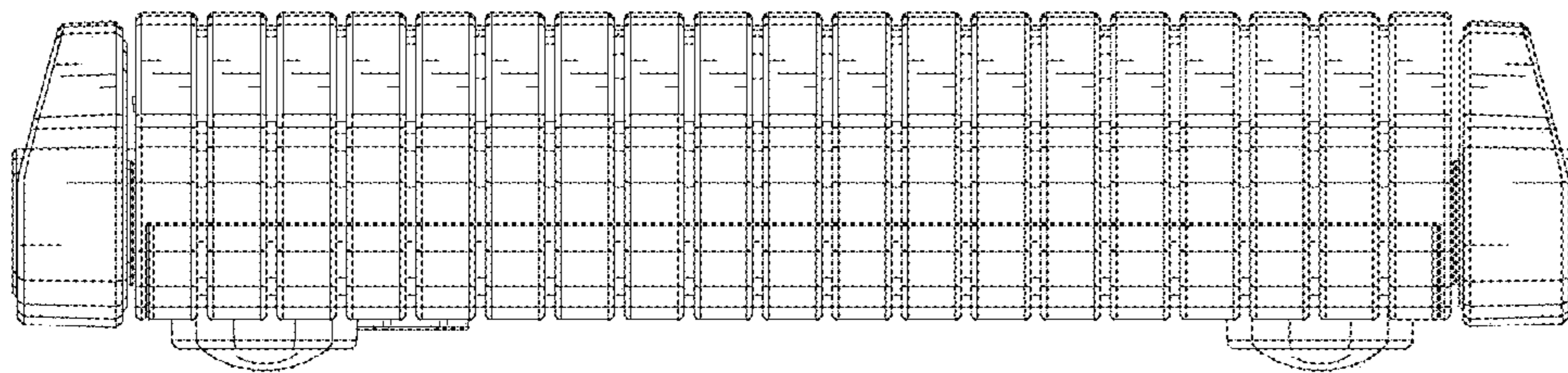


FIG. 4

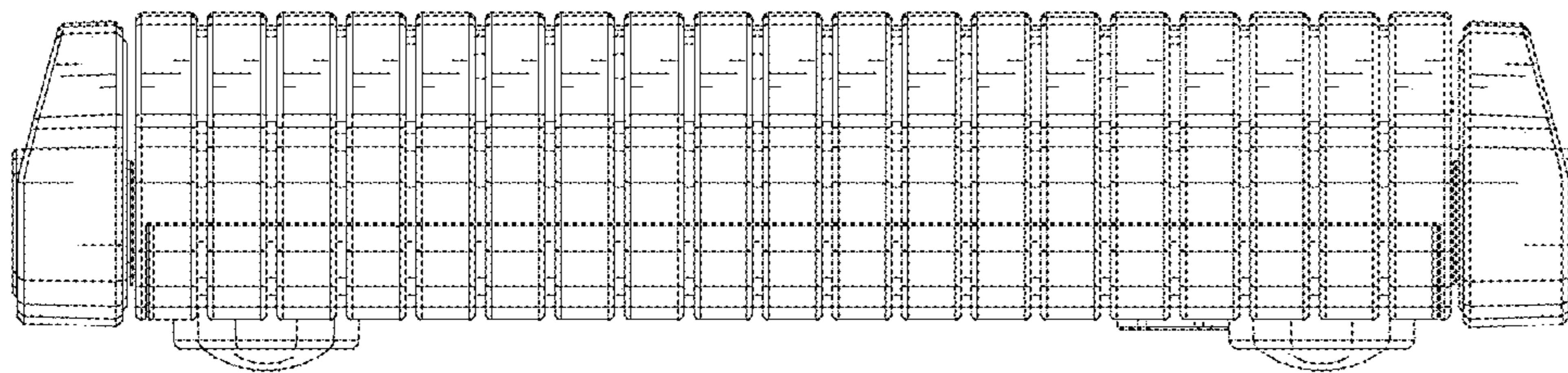


FIG. 5

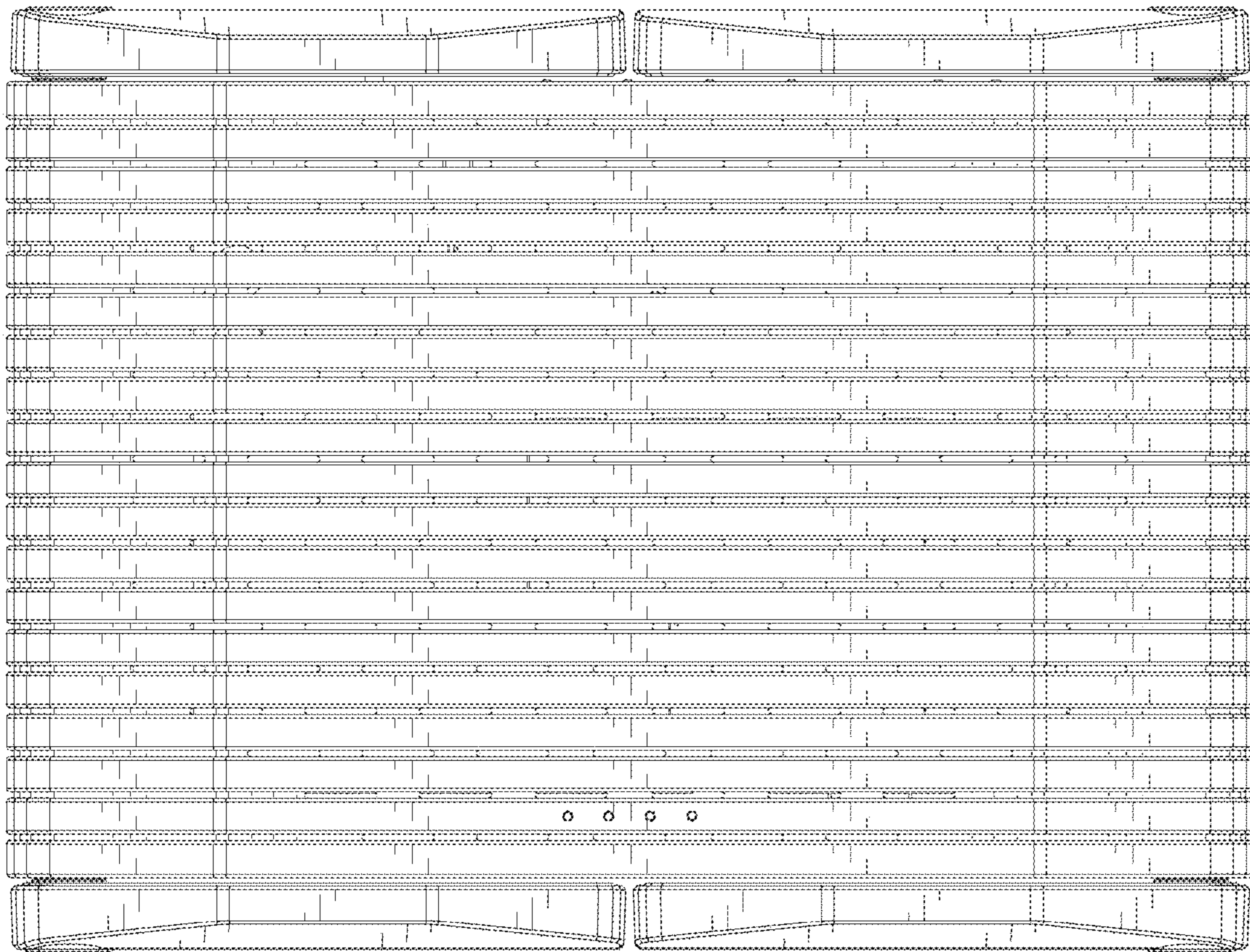


FIG. 6

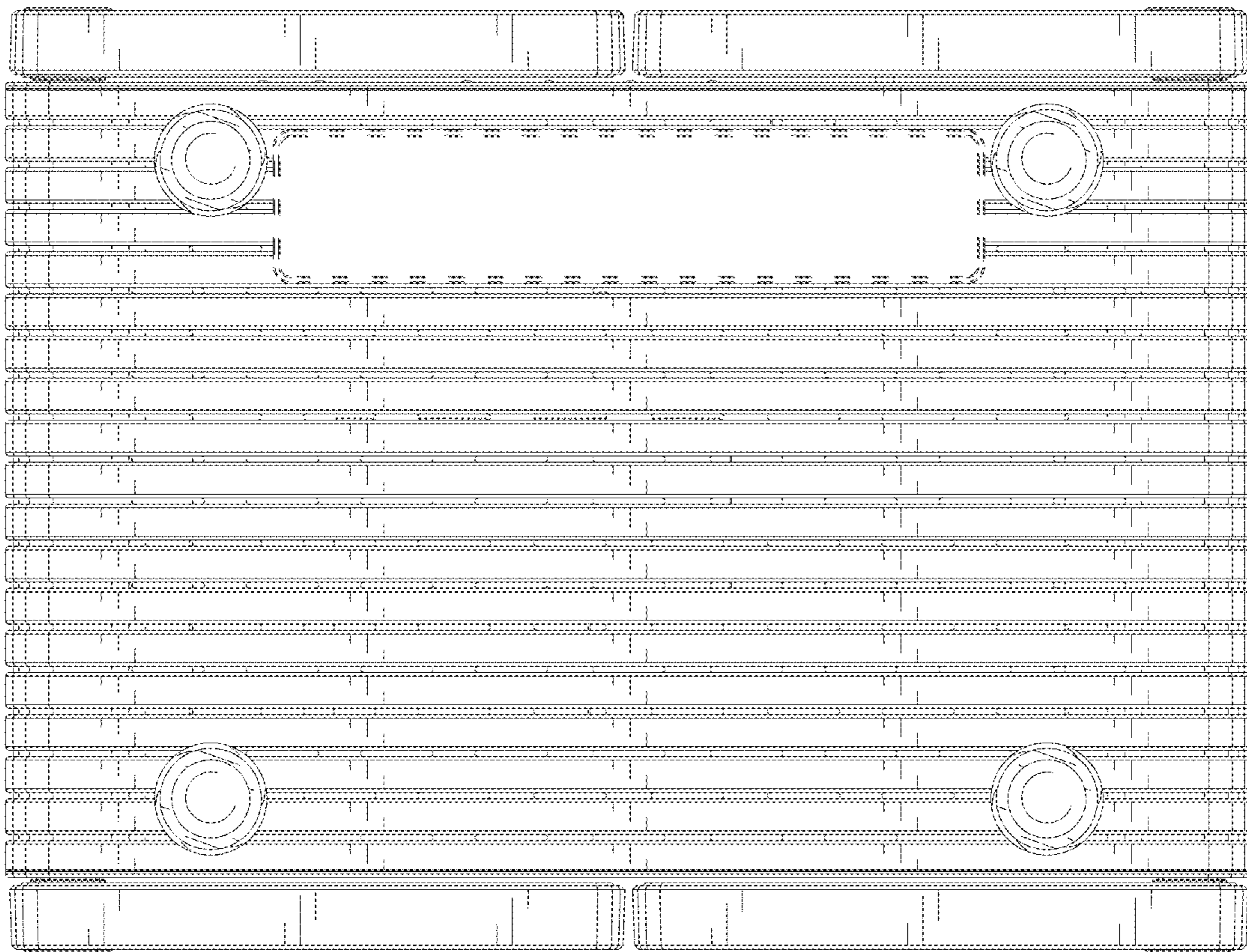


FIG. 7

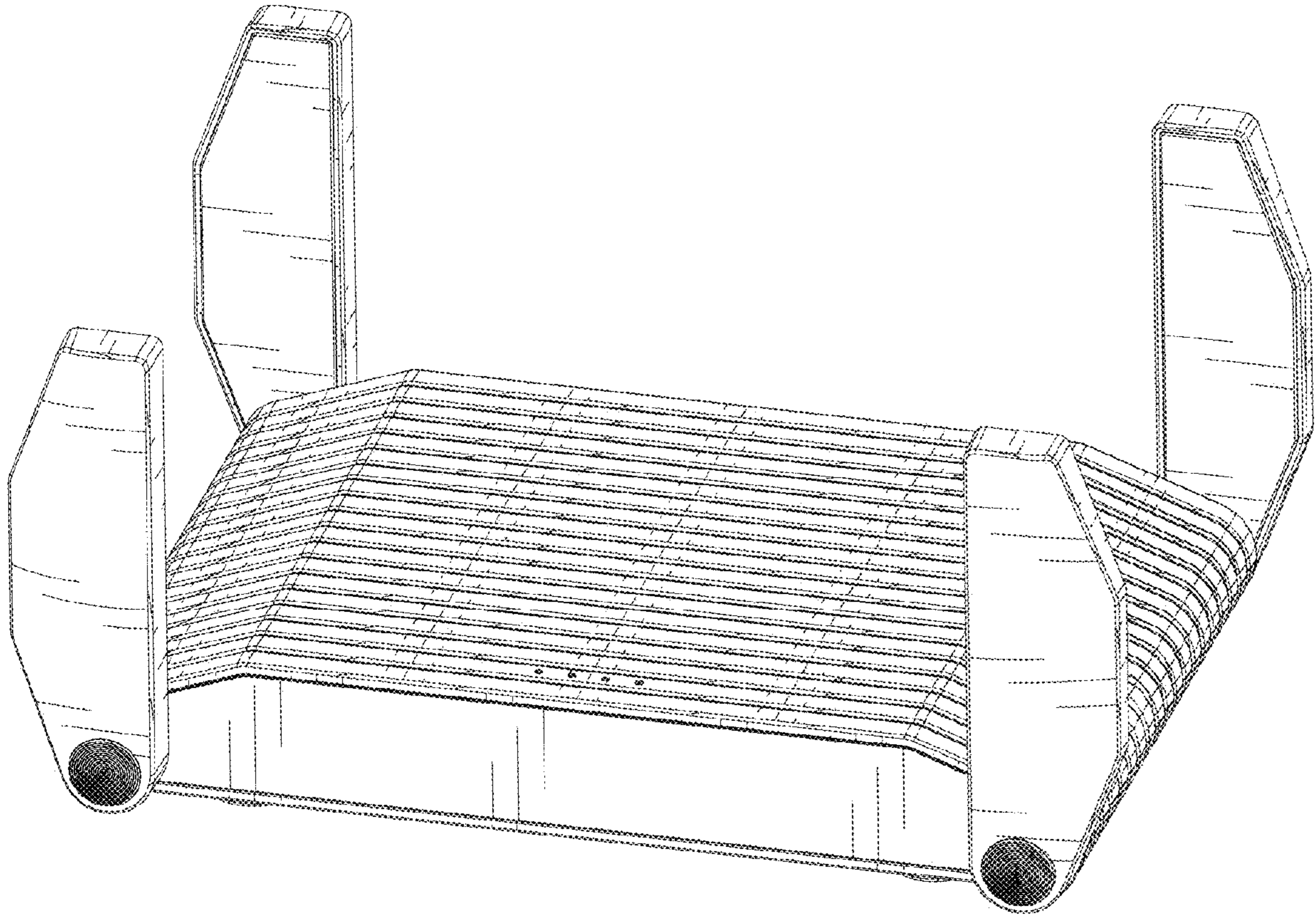


FIG. 8