



US00D975691S

(12) **United States Design Patent** (10) **Patent No.:** **US D975,691 S**
Couceiro et al. (45) **Date of Patent:** **** Jan. 17, 2023**

(54) **DATA COMMUNICATION ANTENNA**

(71) Applicant: **Televés, S.A.U.**, Santiago de Compostela (ES)

(72) Inventors: **Esteban Carballido Couceiro**, Santiago de Compostela (ES); **Manuel Lago Rama**, Santiago de Compostela (ES); **José Manuel Aldrey Raices**, Santiago de Compostela (ES); **Felix Blanco Ruanova**, Santiago de Compostela (ES)

(**) Term: **15 Years**

(21) Appl. No.: **35/512,729**

(22) Filed: **Sep. 21, 2021**

(80) **Hague Agreement Data**

Int. Filing Date: **Sep. 21, 2021**

Int. Reg. No.: **DM/216652**

Int. Reg. Date: **Sep. 21, 2021**

Int. Reg. Pub. Date: **Oct. 15, 2021**

(51) **LOC (14) Cl.** **14-03**

(52) **U.S. Cl.**

USPC **D14/230**

(58) **Field of Classification Search**

USPC D14/230

CPC G06K 19/07749; H01Q 9/285; H01Q 9/26; H01Q 3/08; H01Q 9/16

See application file for complete search history.

(56) **References Cited**

U.S. PATENT DOCUMENTS

D413,313 S * 8/1999 Henderson D14/230
D554,179 S * 10/2007 Ishii D14/230
D619,140 S * 7/2010 Sin D14/480.6
D623,175 S * 9/2010 Suleiman D14/230
D758,999 S * 6/2016 Matsuoka D14/230
D849,722 S * 5/2019 Yang D14/230

D850,425 S * 6/2019 Yang D14/230
D873,802 S * 1/2020 Cran D14/218
D894,180 S * 8/2020 Yang D14/348
D912,021 S * 3/2021 Wei D14/230
D918,878 S * 5/2021 Liu D14/230
D927,467 S * 8/2021 Zhou D14/230
D939,483 S * 12/2021 Yang D14/230
D956,725 S * 7/2022 Yang D14/230
D956,726 S * 7/2022 Yang D14/230
2010/0085269 A1 * 4/2010 Sadowski H01Q 9/16
343/872
2019/0044224 A1 * 2/2019 Kim H01Q 7/00

FOREIGN PATENT DOCUMENTS

CN 302730376 * 2/2014
CN 113948868 A * 1/2022

OTHER PUBLICATIONS

TV Antenna, AMazon reviews 2019, site visited Jul. 27, 2022, [https://www.amazon.com/Antenna-Amplifier-Antennas-Supports-Designed/dp/B07R1N9KRS/ref=asc_df_B07R1N9KRS/ . . . *](https://www.amazon.com/Antenna-Amplifier-Antennas-Supports-Designed/dp/B07R1N9KRS/ref=asc_df_B07R1N9KRS/)

* cited by examiner

Primary Examiner — John R Yeh

(57) **CLAIM**

The ornamental design for a data communication antenna, as shown and described.

DESCRIPTION

2. Data communication antenna

2.1 : Perspective

2.2 : Perspective

2.3 : Front

2.4 : Back

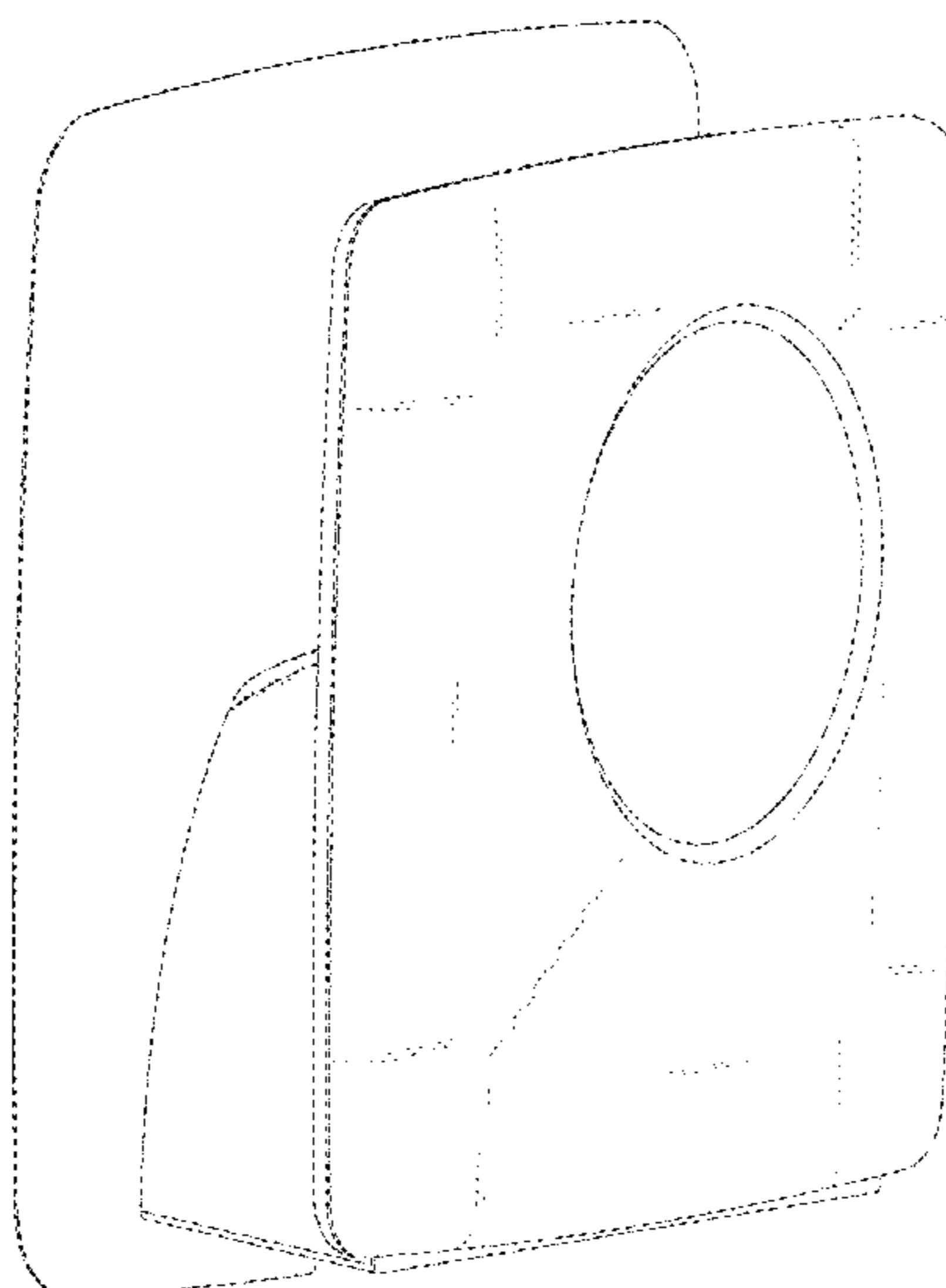
2.5 : Right

2.6 : Left

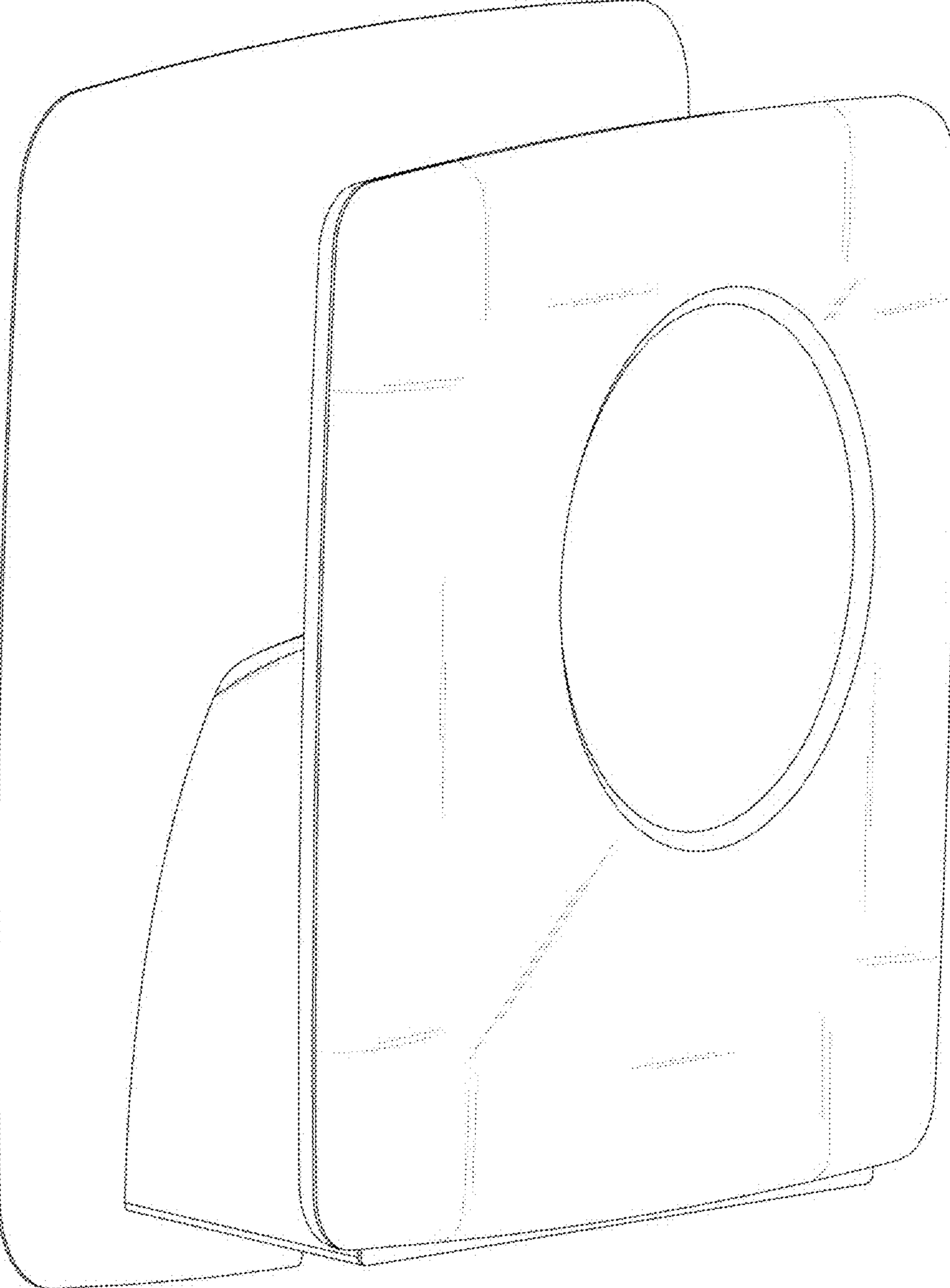
2.7 : Top

2.8 : Bottom

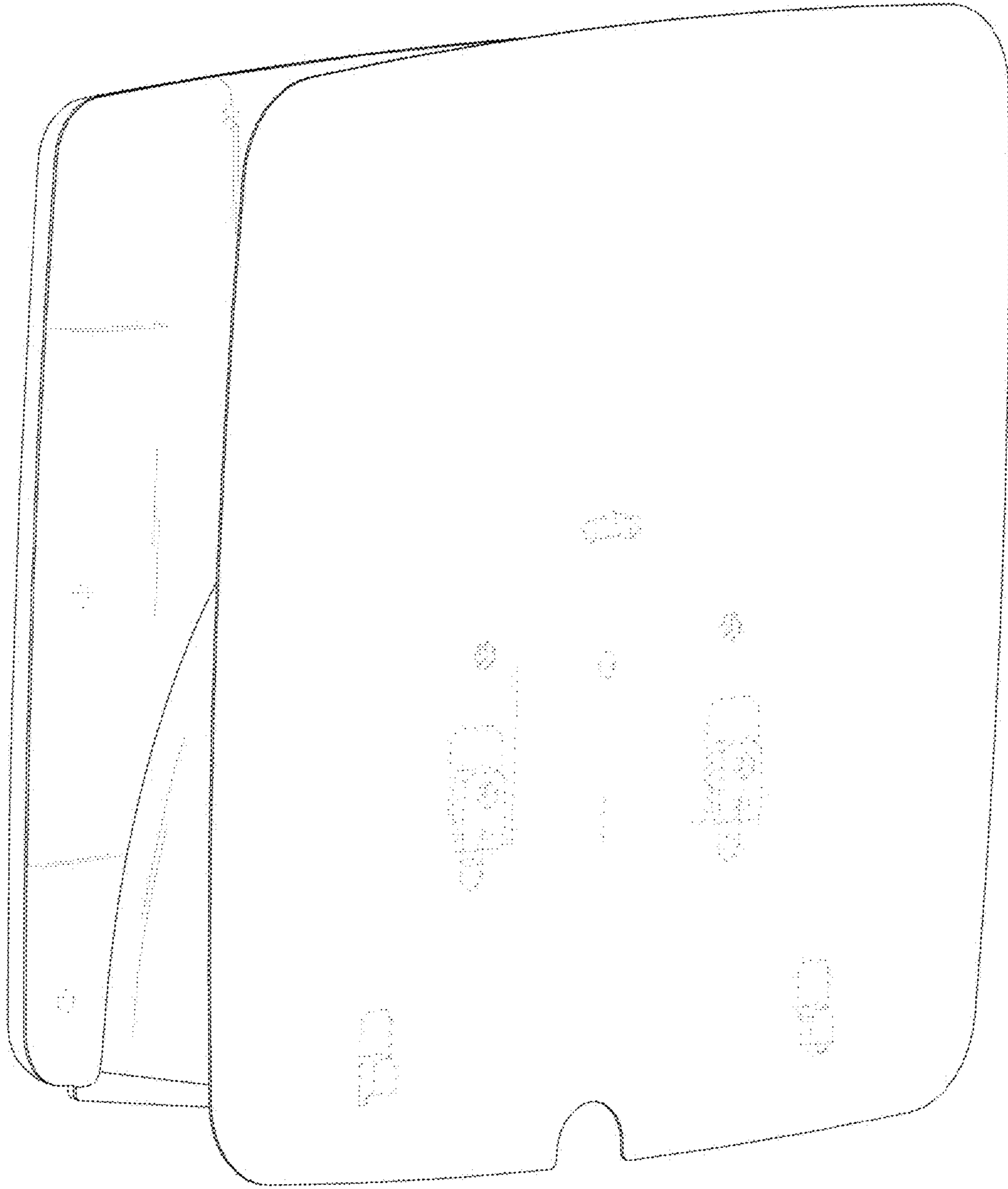
1 Claim, 8 Drawing Sheets



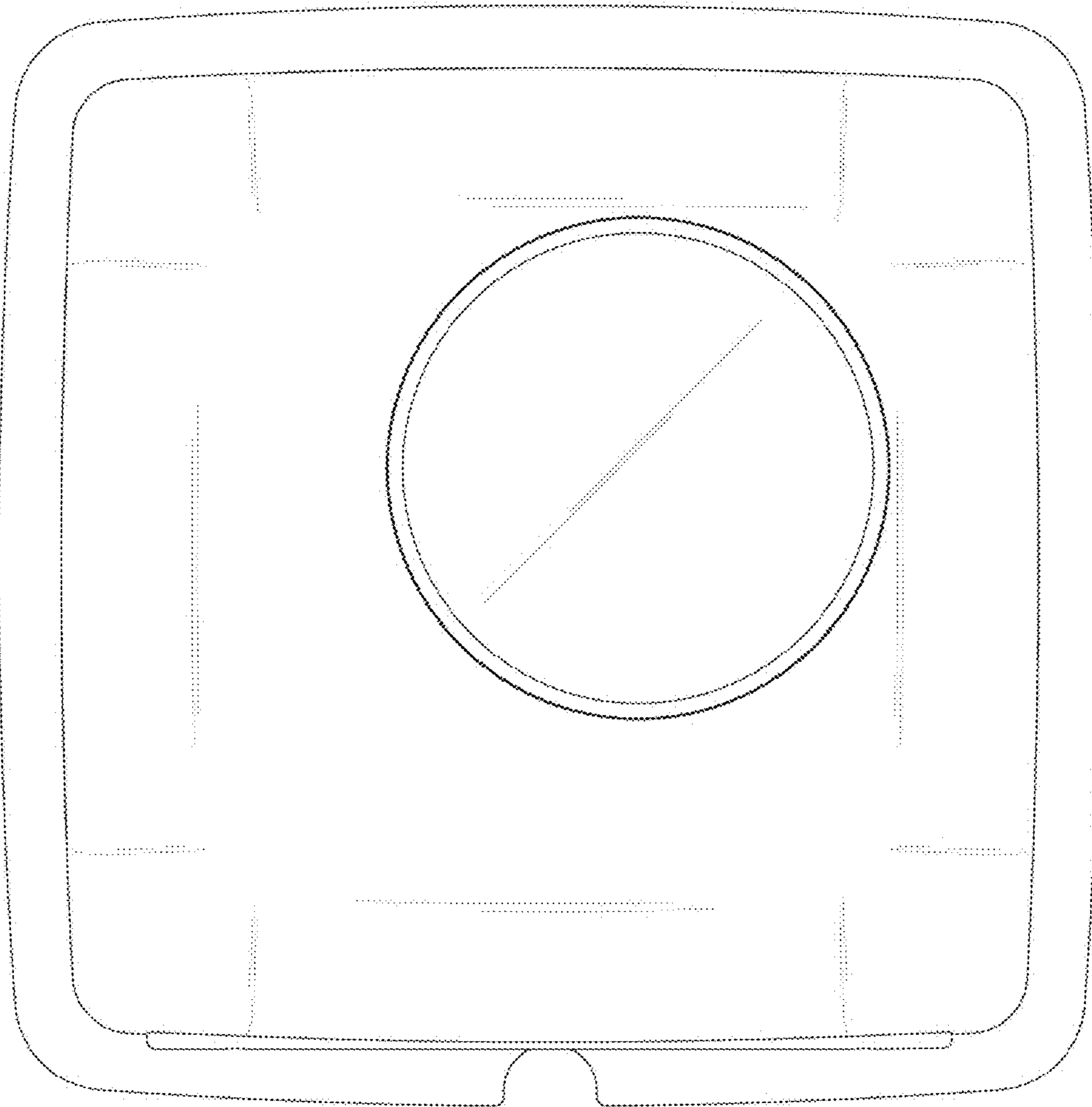
2.1



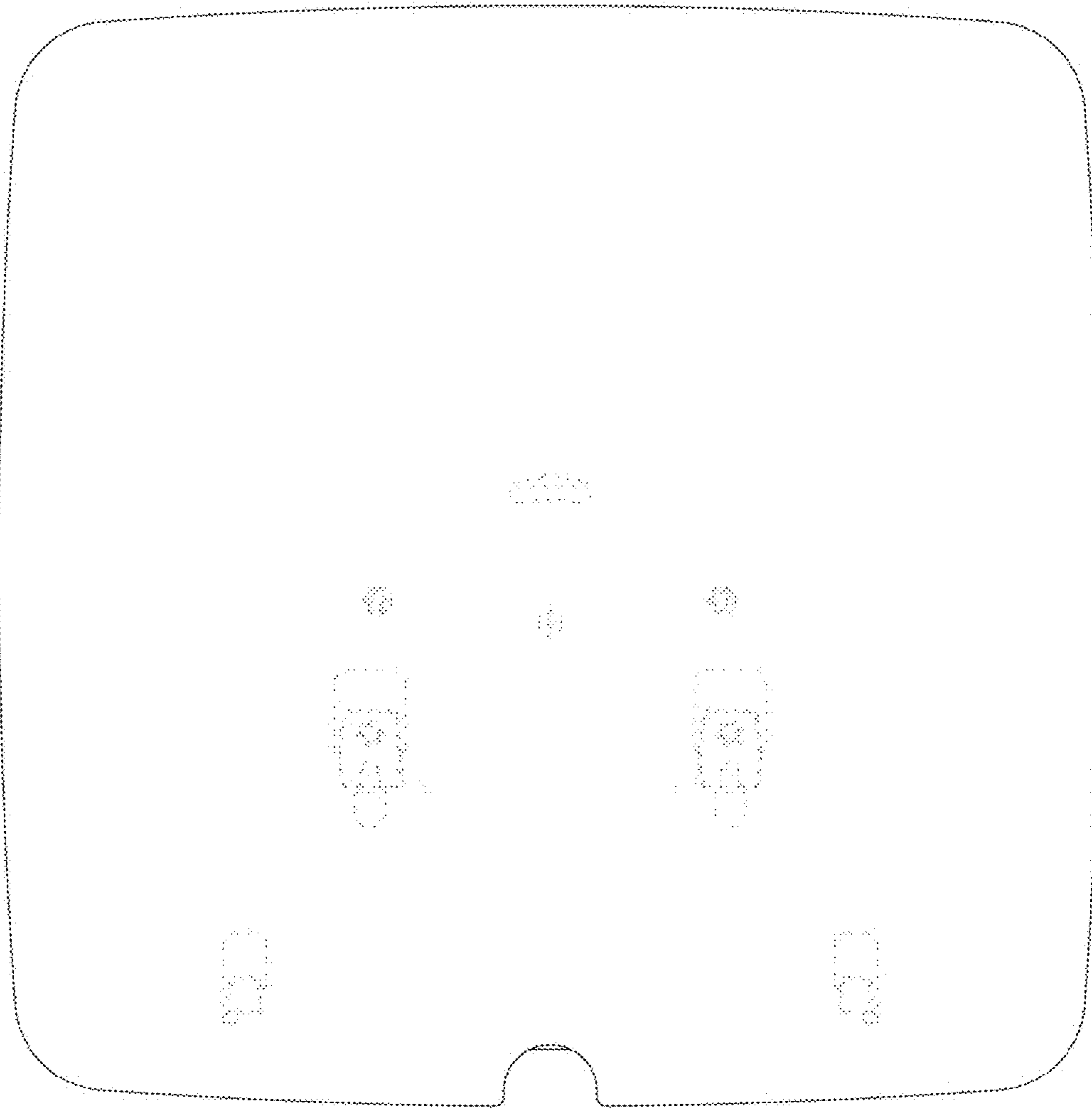
2.2



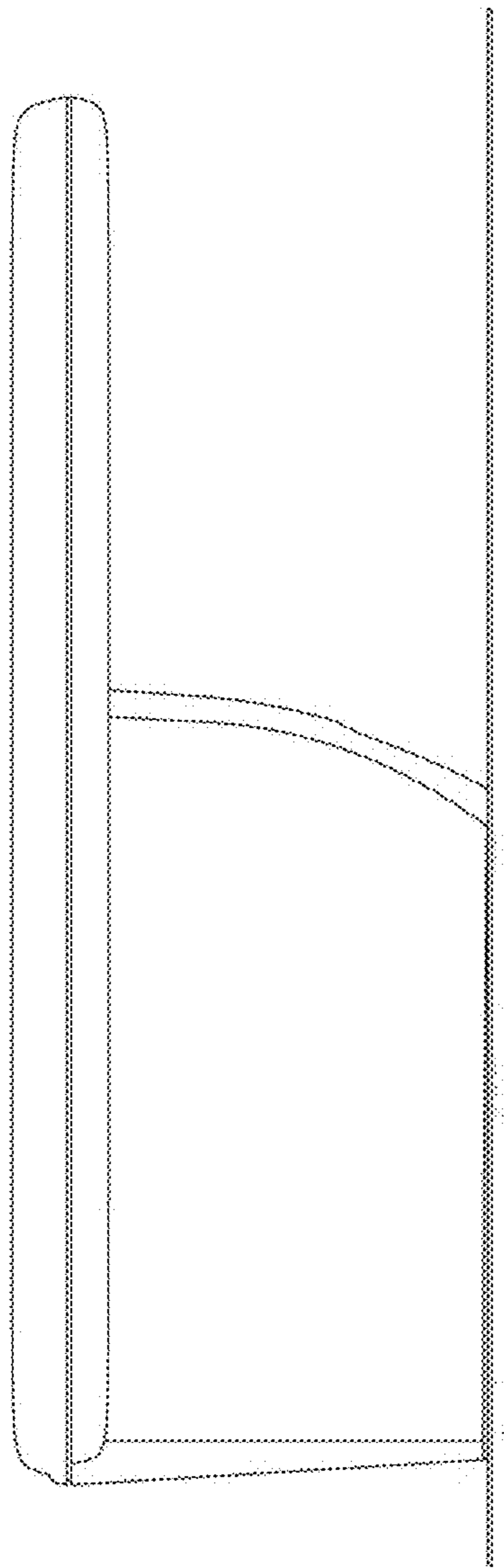
2.3



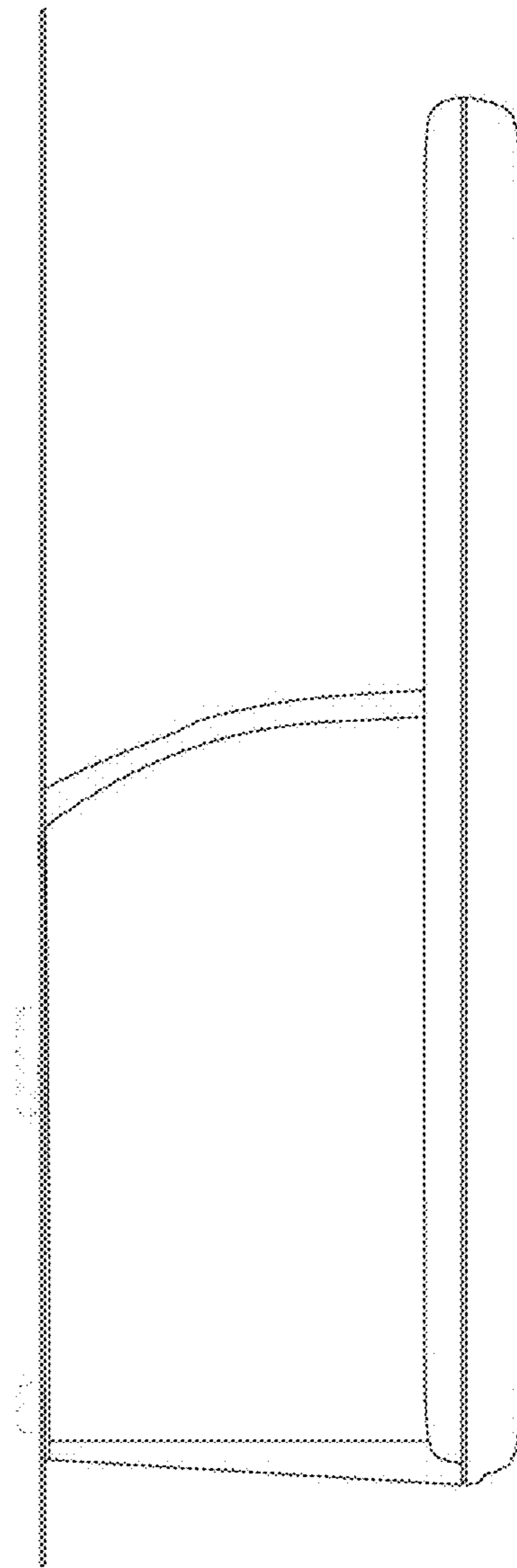
2.4



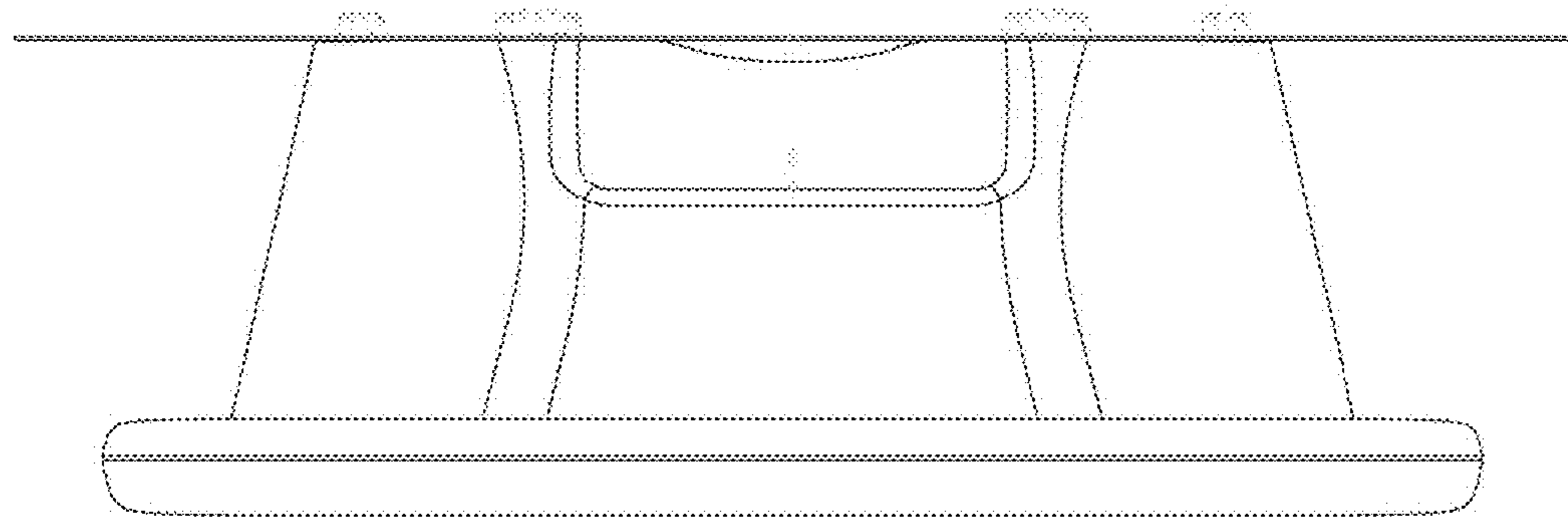
2.5



2.6



2.7



2.8

