



US00D975688S

(12) **United States Design Patent** (10) **Patent No.:** **US D975,688 S**
Qiu (45) **Date of Patent:** **** Jan. 17, 2023**

(54) **USB CONFERENCE MICROPHONE**

(71) Applicant: **SHENZHEN VTOP ELECTRONIC CO. LIMITED**, Shenzhen (CN)

(72) Inventor: **Weiping Qiu**, Shenzhen (CN)

(73) Assignee: **SHENZHEN VTOP ELECTRONIC CO. LIMITED**, Shenzhen (CN)

(**) Term: **15 Years**

(21) Appl. No.: **29/806,113**

(22) Filed: **Sep. 1, 2021**

(51) **LOC (14) Cl.** **14-01**

(52) **U.S. Cl.**
USPC **D14/228**; D14/225

(58) **Field of Classification Search**
USPC D14/225, 228, 147-149, 150-151, 240,
D14/496, 203.1; D10/106.1; D13/110,
D13/168; D21/324; 379/420.01-420.4
CPC . H04R 25/00; H04R 1/02; H04R 5/02; H04R
9/08; H04R 2420/07; F16M 11/38; F16M
13/00
See application file for complete search history.

(56) **References Cited**

U.S. PATENT DOCUMENTS

- 4,184,048 A * 1/1980 Alcaide H04M 3/569
381/83
D274,048 S * 5/1984 Wong D14/242
D292,283 S * 10/1987 Matsuda D14/240
D355,416 S * 2/1995 McCay D14/137
D367,274 S * 2/1996 Gobindram D14/149
5,778,085 A * 7/1998 Sasaki H04M 1/20
379/202.01
6,016,346 A * 1/2000 Rittmueller H04M 1/62
379/420.02
D426,533 S * 6/2000 Hughes D14/149
D433,402 S * 11/2000 Azumi D14/215
D474,169 S * 5/2003 Fletcher D14/243
D481,370 S * 10/2003 Popowski D14/150
D491,549 S * 6/2004 Zeitman D14/509
D495,676 S * 9/2004 Slevin D14/150

- D498,689 S * 11/2004 Lee D10/91
D511,116 S * 11/2005 Kelly, Jr. D10/106.1
D514,122 S * 1/2006 Rodarte D14/203.6
D526,973 S * 8/2006 Gates D13/184
(Continued)

FOREIGN PATENT DOCUMENTS

- CN 306105514 * 10/2020
CN 306422141 * 3/2021
(Continued)

OTHER PUBLICATIONS

https://www.amazon.com/Conference-Microphone-XIIVIO-Omnidirectional-Microphones/dp/B0823N6XL5/ref=sr_1_2_sspa?dchild=1&keywords=Conference+Microphone&qid=1634739873&sr=8-2-spons&psc=1&spLa=ZW5jenlwdGVkUXVhbGImaWVvPUEzQkczSTNGVDg5WjMyJmVuY3J5cHRIZEIkPUeWODU0Mzk1WjZBNjdZNUhUSk9VJmVuY3J5cHRIZEFkSWQ9QTA1NjQ4MDkxWVpRNDJTU0xZVVE0JndpZGdldE5hbWU9c3BfYXRmJmFjdGlvbj1jbGlja1JIZGlyZWNOJmRvTm90TG9nQ2xpY2s9dHJ1ZQ== received from the internet Oct. 20, 2021.

Primary Examiner — Paula Allen Greene

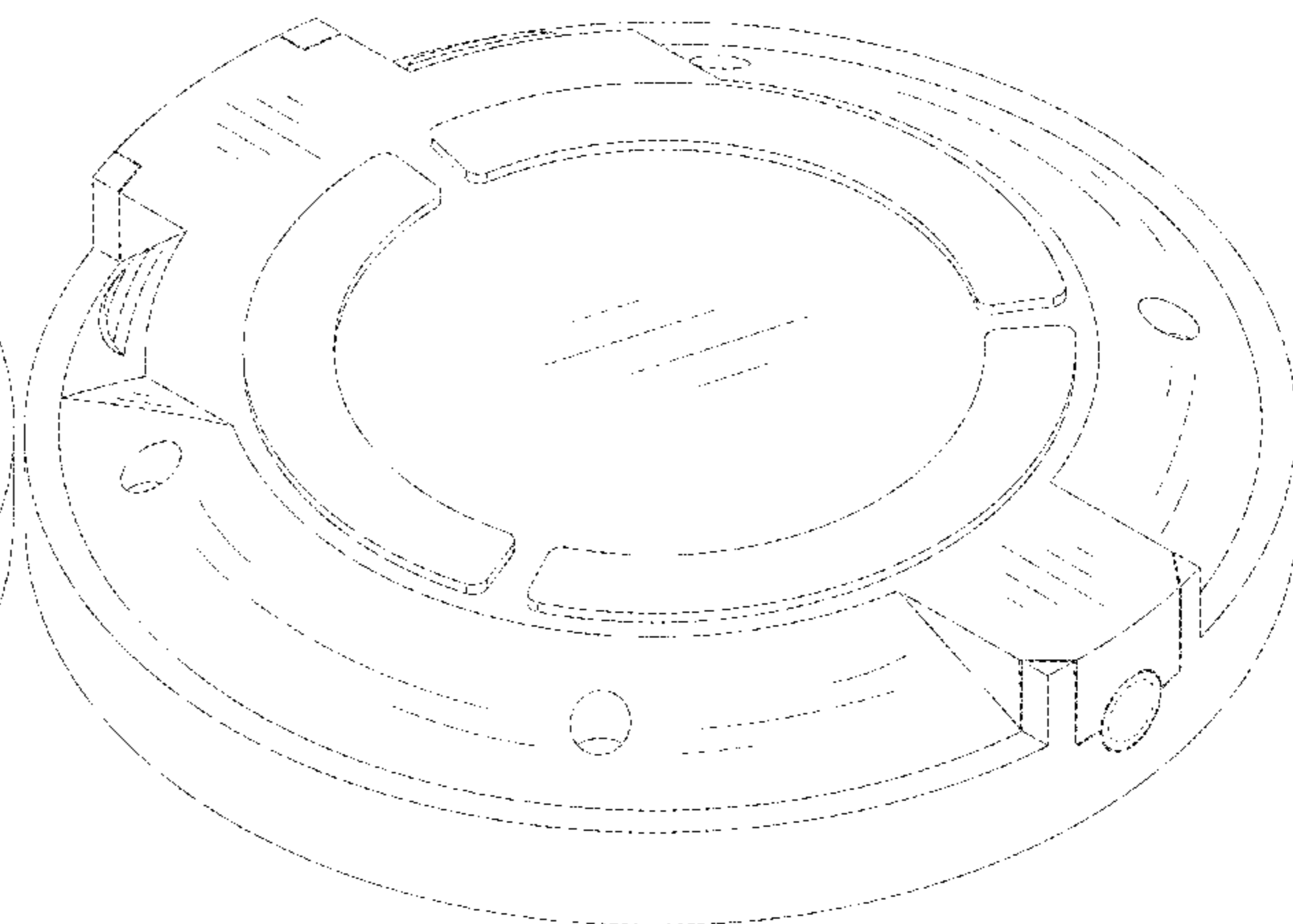
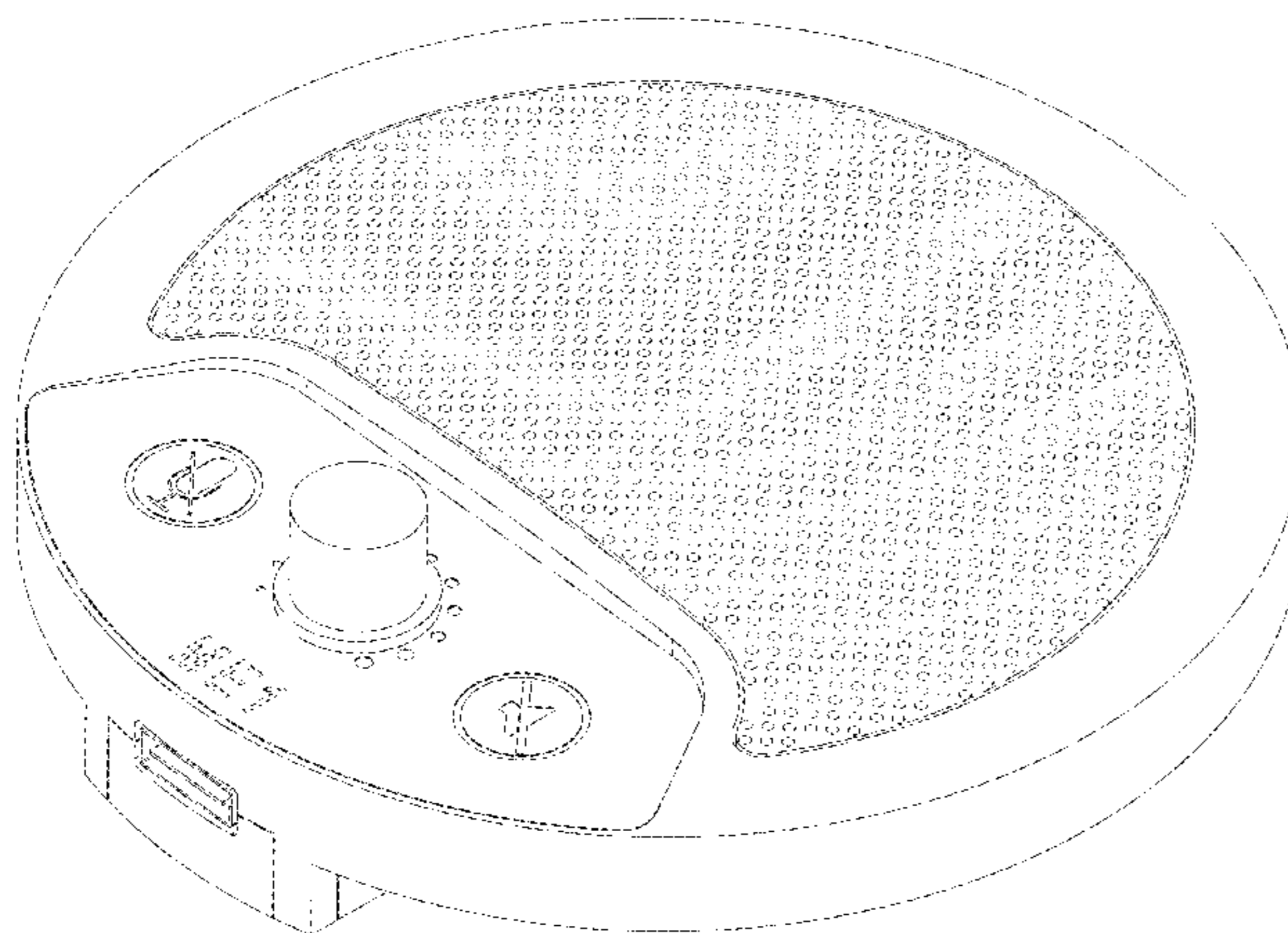
(57) **CLAIM**

The ornamental design for a USB conference microphone, as shown and described.

DESCRIPTION

FIG. 1 is a front, right and top perspective view of a USB conference microphone showing my new design;
FIG. 2 is a rear, left and bottom perspective view thereof;
FIG. 3 is a front, left and bottom perspective view thereof;
FIG. 4 is a front view thereof;
FIG. 5 is a rear view thereof;
FIG. 6 is a left view thereof;
FIG. 7 is a right view thereof;
FIG. 8 is a top view thereof; and,
FIG. 9 is a bottom view thereof.

(Continued)



The broken lines in the drawings illustrate portions of the USB conference microphone, which form no part of the claimed design.

1 Claim, 9 Drawing Sheets

(56)

References Cited

U.S. PATENT DOCUMENTS

D536,327 S * 2/2007 Lukic D14/150
 D560,229 S * 1/2008 Yagi D14/496
 D636,760 S * 4/2011 Cheng D14/216
 D656,130 S * 3/2012 Bailey D14/227
 8,188,842 B2 * 5/2012 Otsuka H01H 19/005
 D700,571 S * 3/2014 Guccione D13/108
 8,761,413 B2 * 6/2014 Ishibashi H04R 1/406
 D711,345 S * 8/2014 Liu D14/140
 D718,236 S * 11/2014 Murray D13/108
 D725,088 S * 3/2015 Kwak D14/240
 D731,996 S * 6/2015 Border D14/150
 D735,131 S * 7/2015 Akana D13/108
 D743,382 S * 11/2015 Katori D14/228
 D756,957 S * 5/2016 Nysten D14/204
 D772,813 S * 11/2016 Wahl D13/108
 D773,947 S * 12/2016 Scarcella D10/104.1
 D784,963 S * 4/2017 Saule D14/228
 D786,724 S * 5/2017 Seagle, Jr. D10/70

D812,563 S * 3/2018 Akana D13/108
 D814,436 S * 4/2018 Wen D14/150
 D822,004 S * 7/2018 Tan D14/216
 D829,242 S * 9/2018 Laine D14/496
 D833,085 S * 11/2018 Edmonds D30/119
 D834,567 S * 11/2018 Snyder D14/228
 D848,398 S * 5/2019 Huang D14/216
 D856,961 S * 8/2019 Suzuki D14/149
 D876,400 S * 2/2020 Russo D14/228
 D879,076 S * 3/2020 Sahlin D14/225
 D879,737 S * 3/2020 Suzuki D14/149
 D888,024 S * 6/2020 Li D14/228
 D888,687 S * 6/2020 Xu D14/216
 D920,276 S * 5/2021 Law D14/149
 D920,944 S * 6/2021 Paterson D14/203.1
 2012/0058754 A1 * 3/2012 Couse H04M 1/72412
 2013/0028457 A1 * 1/2013 Yeh H04R 1/10
 2015/0334480 A1 * 11/2015 Yang H04R 9/06
 2016/0192081 A1 * 6/2016 Horii H04R 1/028
 2018/0176670 A1 * 6/2018 Nakatsukasa H04R 1/023

FOREIGN PATENT DOCUMENTS

CN 306479036 * 4/2021
 CN 306637707 * 6/2021
 CN 307034594 * 12/2021
 CN 307135409 * 3/2022

* cited by examiner

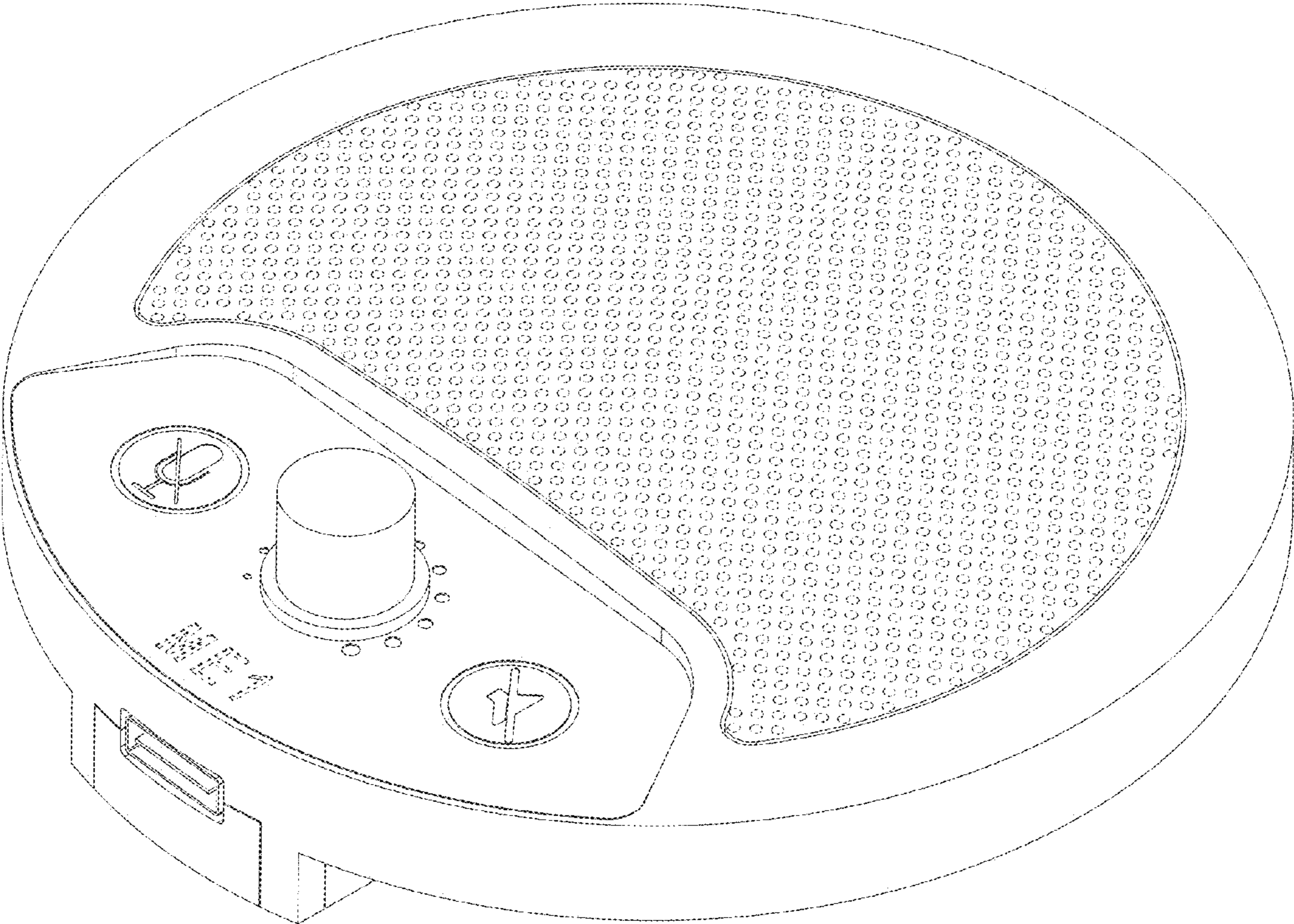


FIG. 1

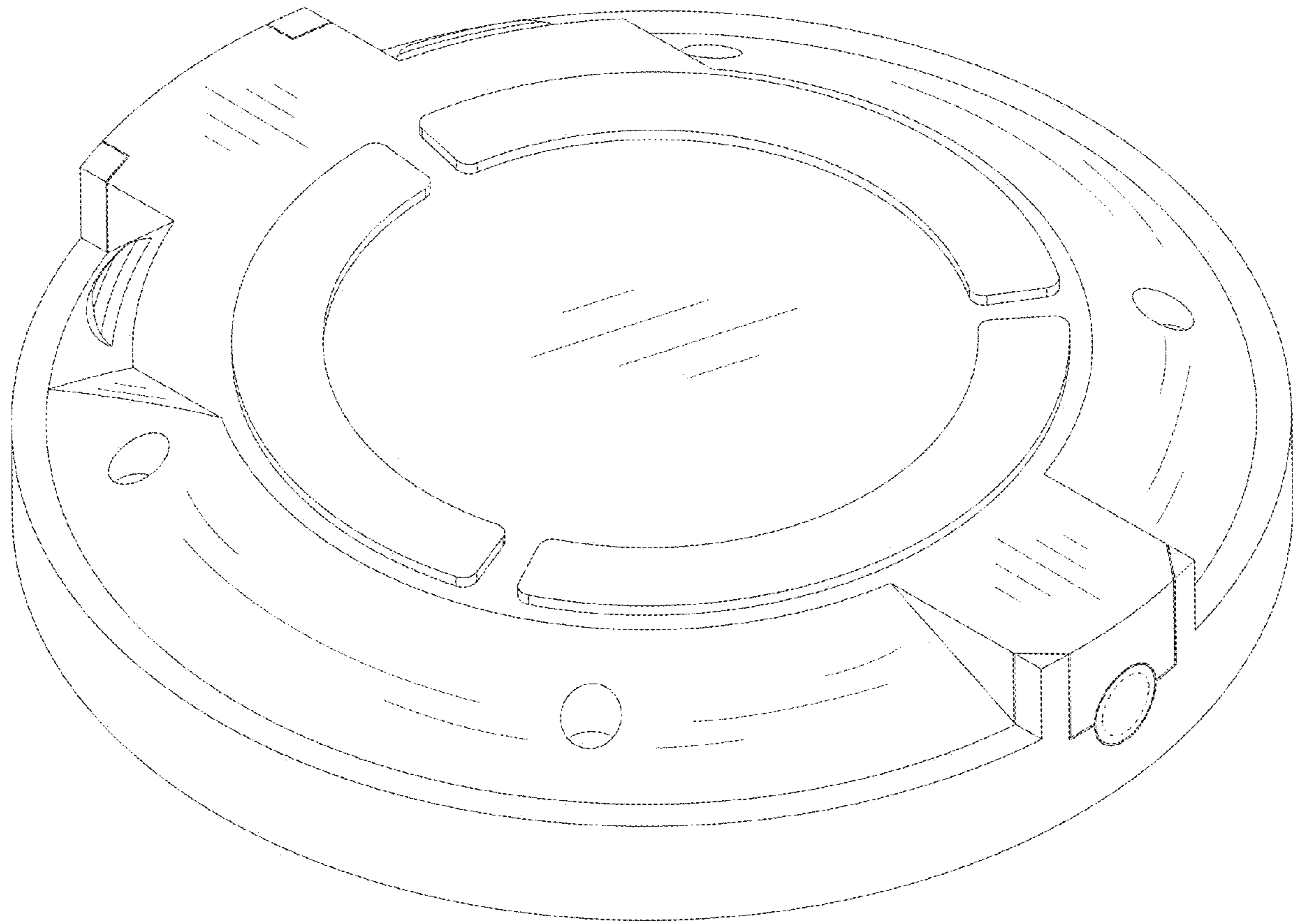


FIG. 2

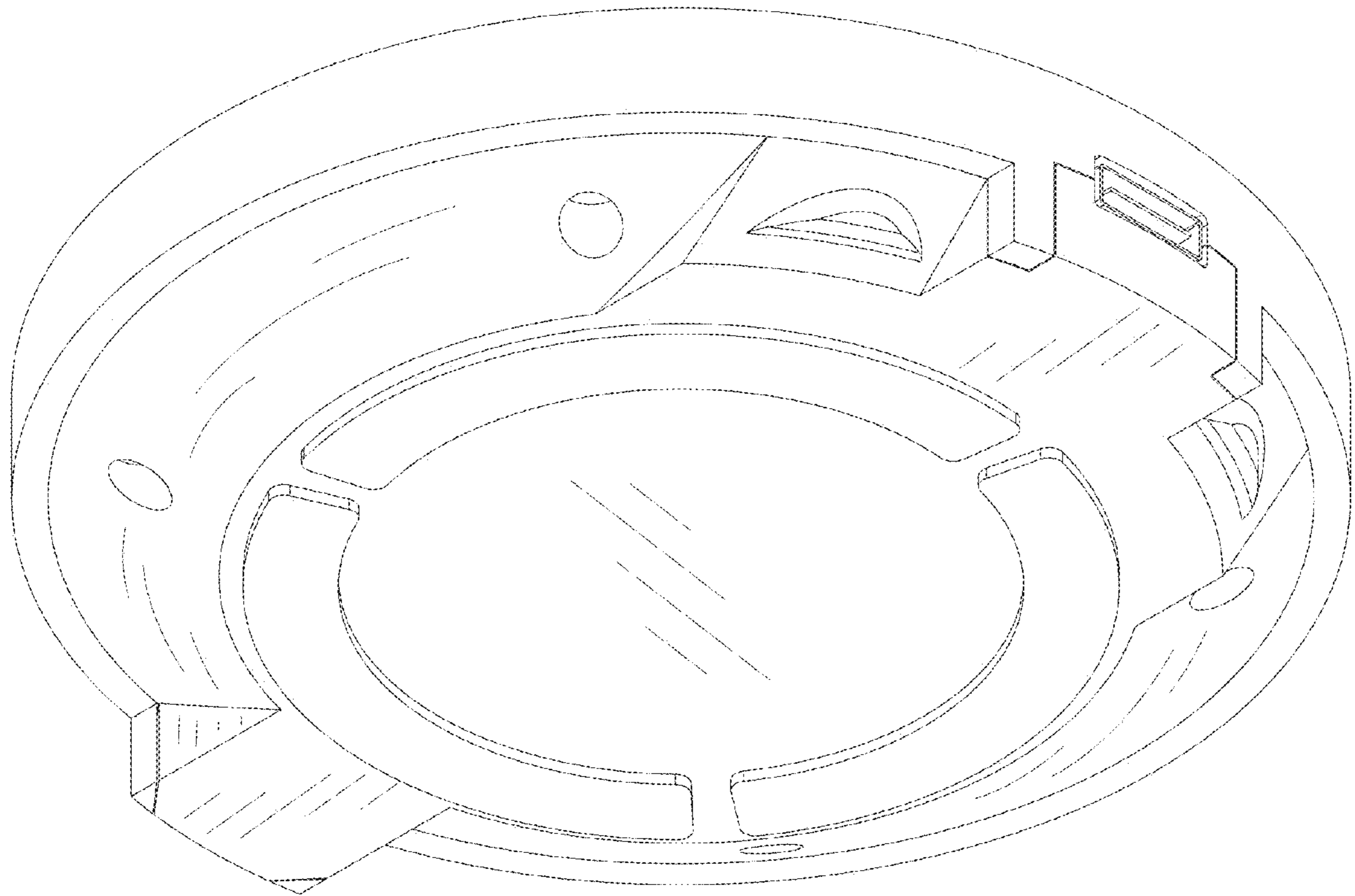


FIG. 3



FIG. 4

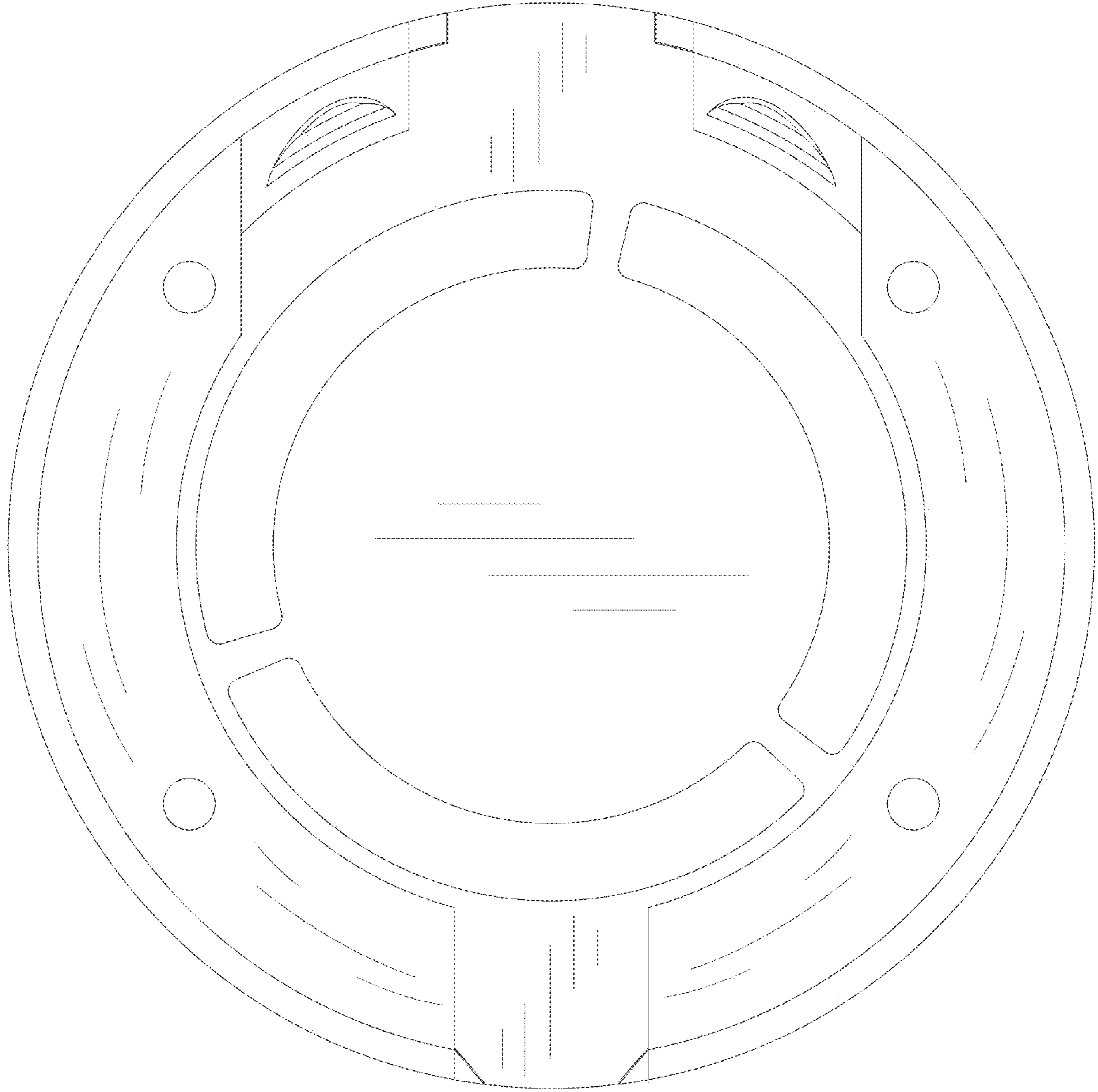


FIG. 5

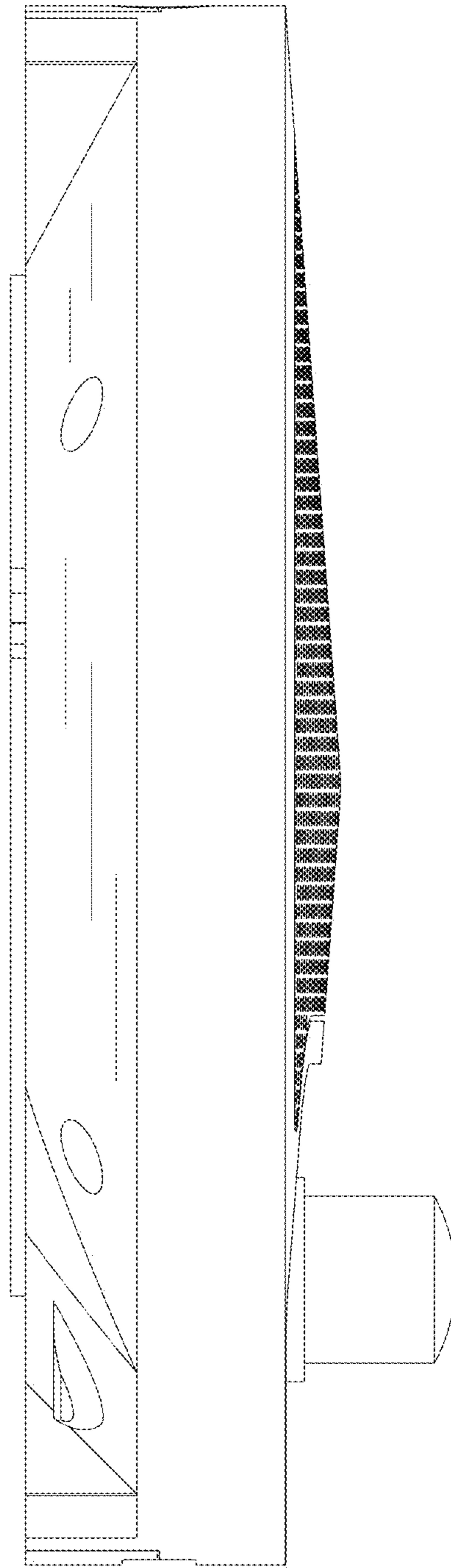


FIG. 6

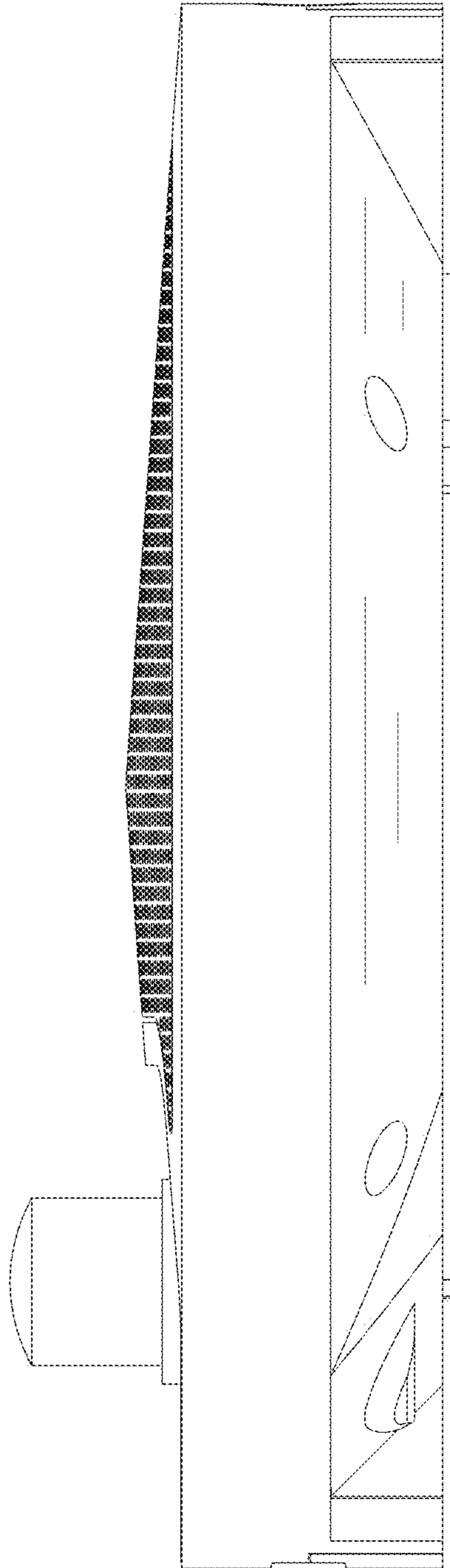


FIG. 7

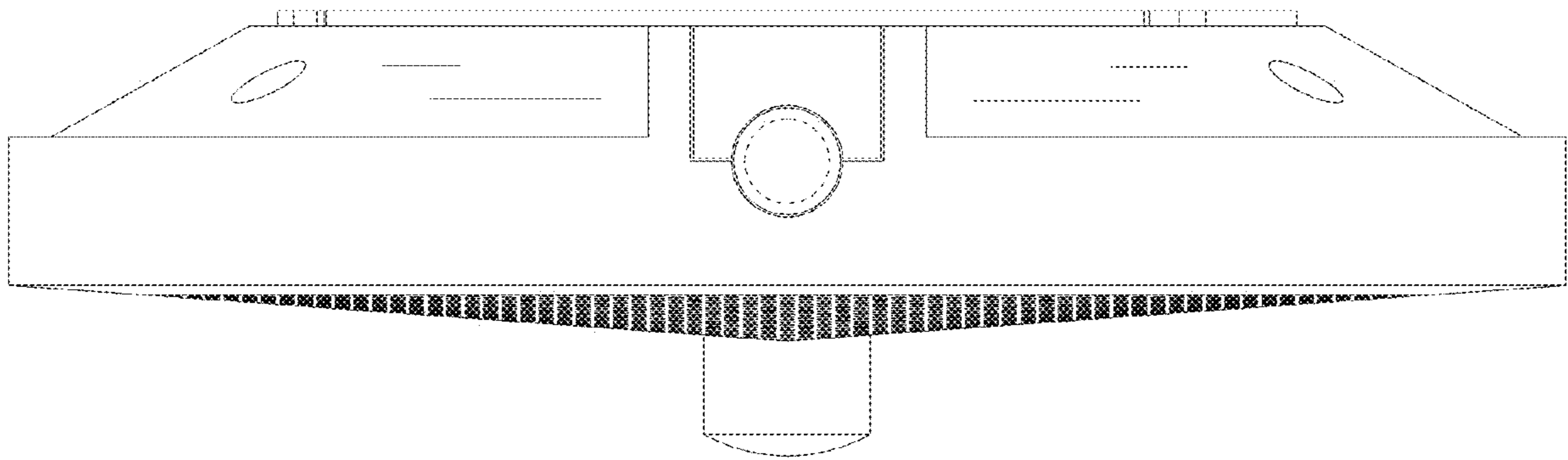


FIG. 8

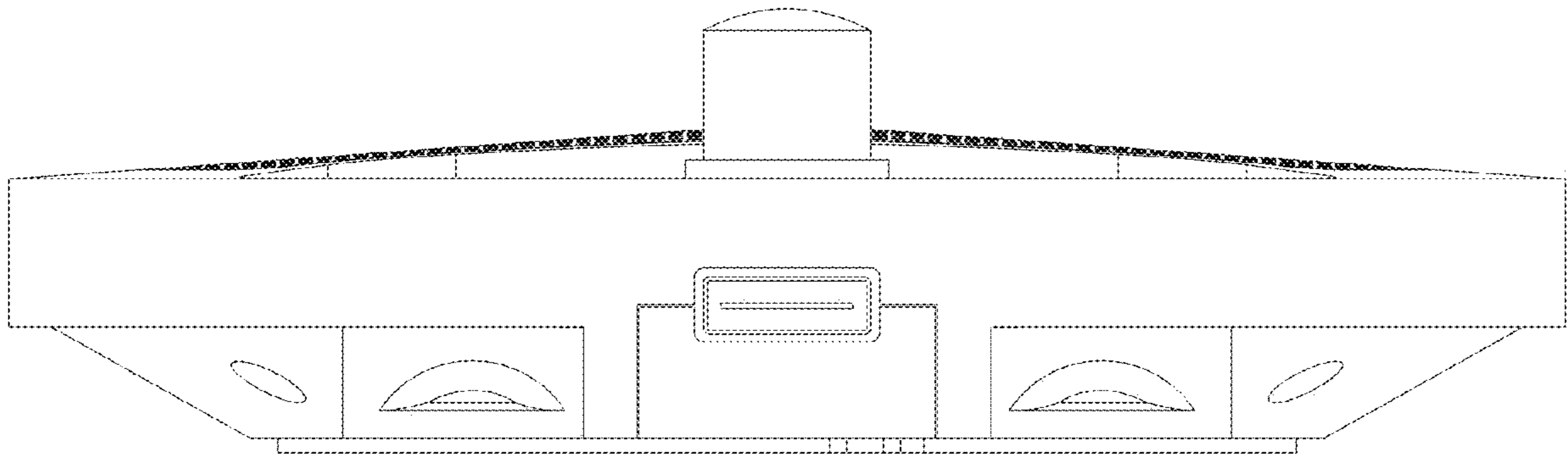


FIG. 9