



US00D975687S

(12) **United States Design Patent**
Bond et al.

(10) **Patent No.: US D975,687 S**
(45) **Date of Patent: ** Jan. 17, 2023**

(54) **MICROPHONE**

FOREIGN PATENT DOCUMENTS

(71) Applicant: **PreSonus Audio Electronics, Inc.**,
Baton Rouge, LA (US)

EM 008827638-0001 * 1/2022
GB 6186069 * 1/2022

(72) Inventors: **Calvin Bond**, Baton Rouge, LA (US);
Brian Smith, Baton Rouge, LA (US)

OTHER PUBLICATIONS

(73) Assignee: **PRESONUS AUDIO ELECTRONICS, INC.**, Baton Rouge,
LA (US)

PreSonus Revelator USB Condenser Microphone, date first available: Nov. 10, 2020, [retrieved Aug. 24, 2022], Retrieved from Internet, URL: <<https://www.amazon.com/PreSonus-Revelator-Microphone-podcasting-interviews/dp/B08LJ6Z9H?th=1>> (Year: 2020).*

(*) Notice: Patent file contains an affidavit/declaration under 37 CFR 1.130(b).

(Continued)

(**) Term: **15 Years**

Primary Examiner — Messina L Smith

Assistant Examiner — Aram Kwon

(74) *Attorney, Agent, or Firm* — Leason Ellis LLP

(21) Appl. No.: **29/799,423**

(57) **CLAIM**

(22) Filed: **Jul. 14, 2021**

The ornamental design for a microphone, as shown and described.

(51) **LOC (14) Cl.** **14-01**

(52) **U.S. Cl.**
USPC **D14/225**

DESCRIPTION

(58) **Field of Classification Search**
USPC D14/155–159, 160–173, 187–188,
D14/189–198, 203.1–203.8, 204–216,
D14/217–222, 223, 224–229, 239,
D14/251–253, 257–258, 335–337,
D14/371–382, 432, 439–441, 447–452,
D14/457, 492, 496, 498–506;
D6/672–673, 675.1, 682
CPC H04R 1/02; H04R 1/021; H04R 1/025;
H04R 1/026; H04R 1/028; H04R 1/06;
(Continued)

FIG. 1 is a top perspective view of a first embodiment of a microphone showing our new design;
FIG. 2 is a front view thereof;
FIG. 3 is a back view thereof;
FIG. 4 is a right side view thereof;
FIG. 5 is a left side view thereof;
FIG. 6 is a top view thereof;
FIG. 7 is a bottom view thereof;
FIG. 8 is a top perspective view of a second embodiment of a microphone showing our new design;
FIG. 9 is a front view thereof;
FIG. 10 is a back view thereof;
FIG. 11 is a right side view thereof;
FIG. 12 is a left side view thereof;
FIG. 13 is a top view thereof; and,
FIG. 14 is a bottom view thereof.

(56) **References Cited**

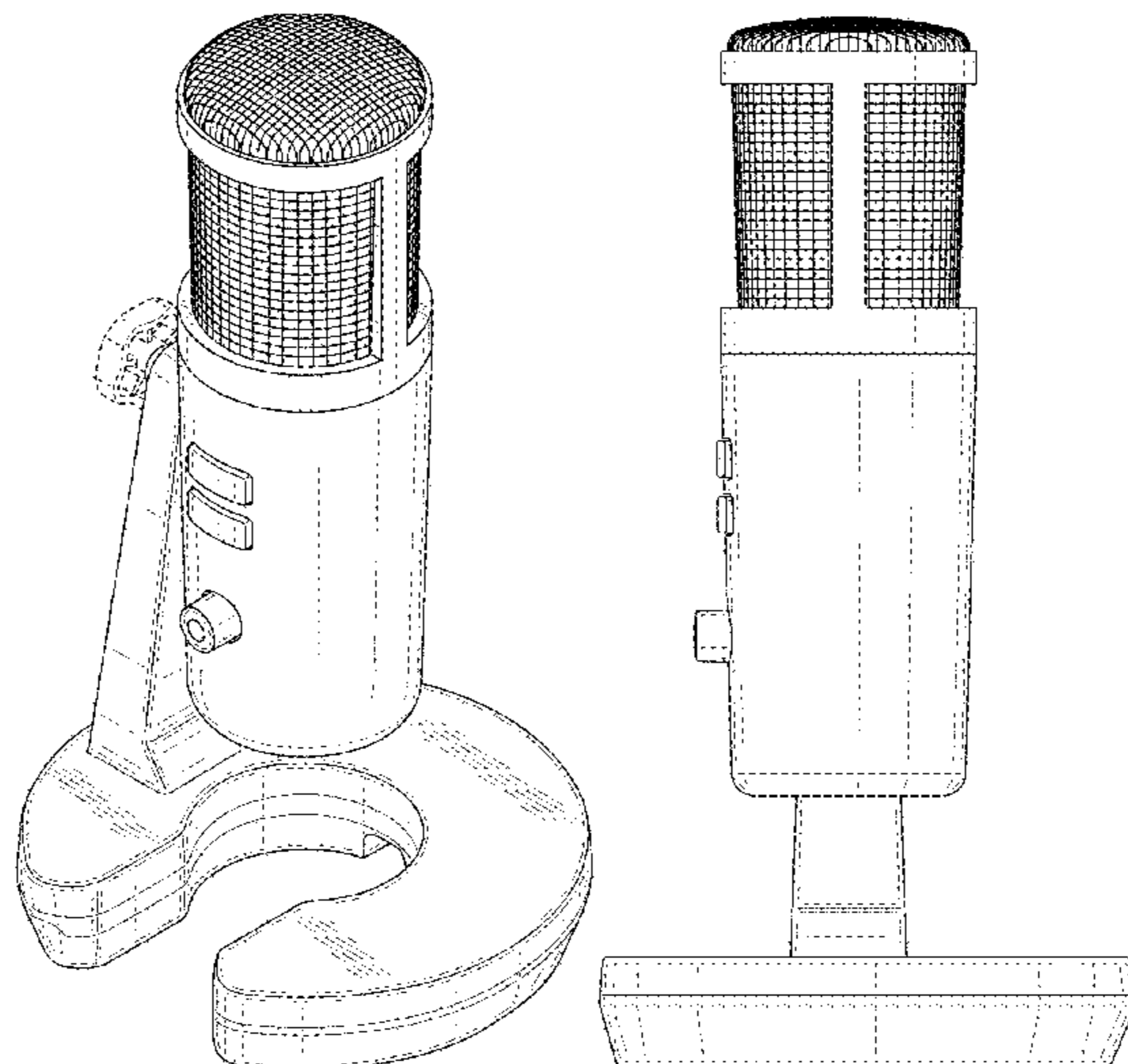
U.S. PATENT DOCUMENTS

5,357,577 A * 10/1994 Waji H01J 7/24
381/115
D594,856 S * 6/2009 Marshall D14/228
D634,737 S * 3/2011 Lippert D14/229

The broken lines shown in the drawings depict portions of the microphone that form no part of the claimed design.

(Continued)

1 Claim, 14 Drawing Sheets



(58) **Field of Classification Search**

CPC H04R 1/105; H04R 1/323; H04R 1/403;
H04R 1/2803; H04R 1/2834

See application file for complete search history.

D946,556 S * 3/2022 Mai D14/228
D954,687 S * 6/2022 Mai D14/229
2006/0002576 A1* 1/2006 Akino H04R 1/021
381/361

OTHER PUBLICATIONS

(56) **References Cited**

U.S. PATENT DOCUMENTS

D835,612 S * 12/2018 Tong D14/225
D849,721 S * 5/2019 Chen D14/227
D850,423 S * 6/2019 Chen D14/227
D890,732 S * 7/2020 Chen D14/227
D917,429 S * 4/2021 Xiang D14/228
D917,430 S * 4/2021 Mai D14/228
D917,432 S * 4/2021 Mai D14/227
D917,433 S * 4/2021 Wang D14/228
D918,186 S * 5/2021 Mai D14/227
D925,505 S * 7/2021 Wang D14/228
D925,506 S * 7/2021 Wang D14/228
D942,973 S * 2/2022 Lu D14/227

PreSonus Revelator USB Mic, Nov. 2020, [retrieved Aug. 24, 2022], Retrieved from Internet, URL: <<https://recordingmag.com/news/presonus-revelator-usb-mic/>> (Year: 2020).*

PreSonus Revelator, review date: Dec. 15, 2020, [retrieved Aug. 24, 2022], Retrieved from Internet, URL: <https://www.bhphotovideo.com/c/product/802476307-USE/presonus_revelator_usb_mic_with.html/reviews?gclid=EAlalQobChMljNTV8crf-QIVmrflCh3%E2%80%A6> (Year: 2020).*

PreSonus Revelator: More Than a USB Microphone, Nov. 10, 2020, [retrieved Aug. 24, 2022], Retrieved from Internet, URL: <<https://www.youtube.com/watch?v=qnj7grhwZ3Y>> (Year: 2020).*

PreSonus Inc., "PreSonus Revelator USB Mic Makes It Easy to Get That 'Radio Sound,'" Nov. 10, 2020, [retrieved Sep. 19, 2022], Retrieved from Internet, URL: <<https://www.presonus.com/press/press-releases/Revelator>>.

* cited by examiner

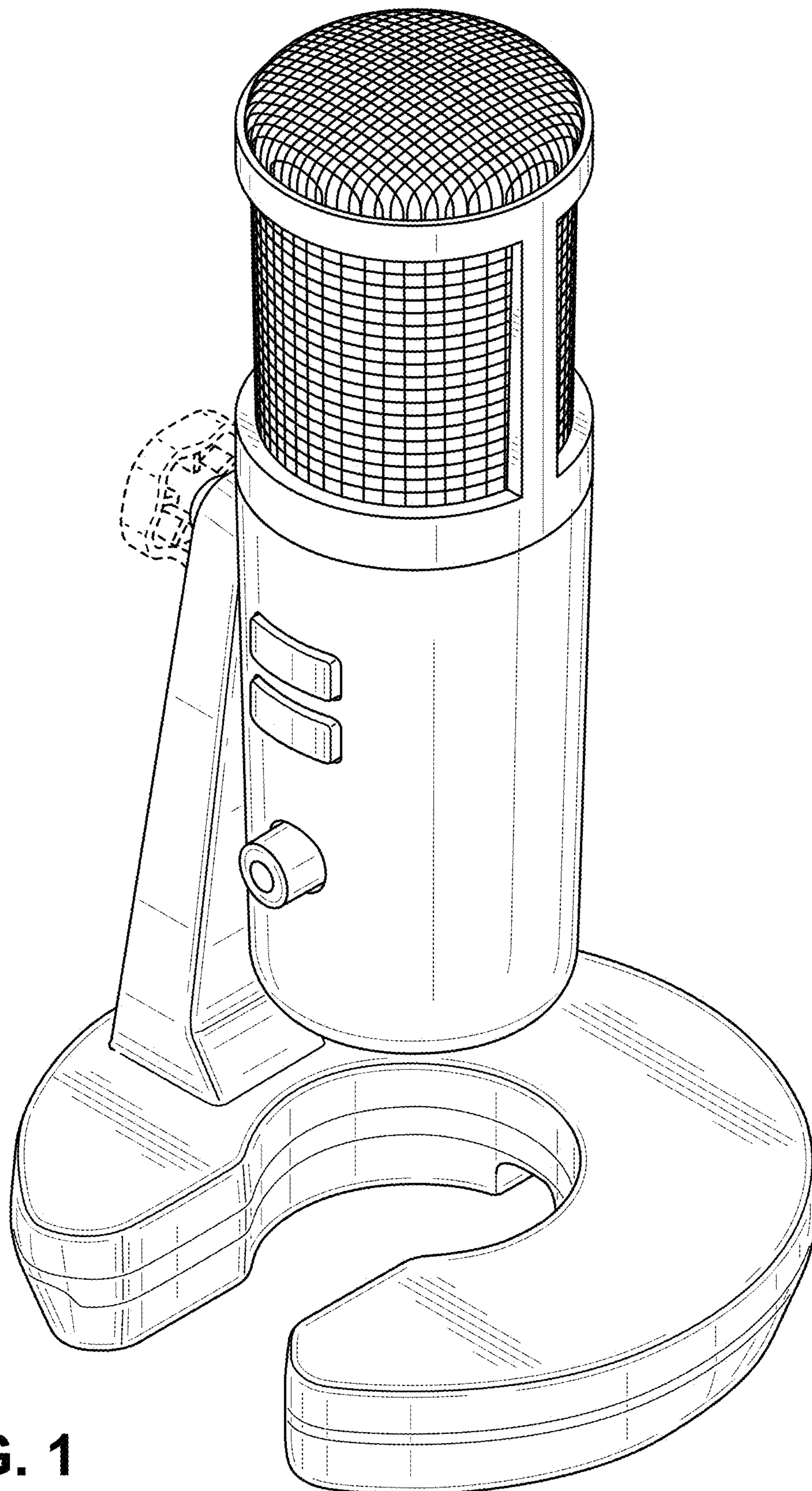


FIG. 1

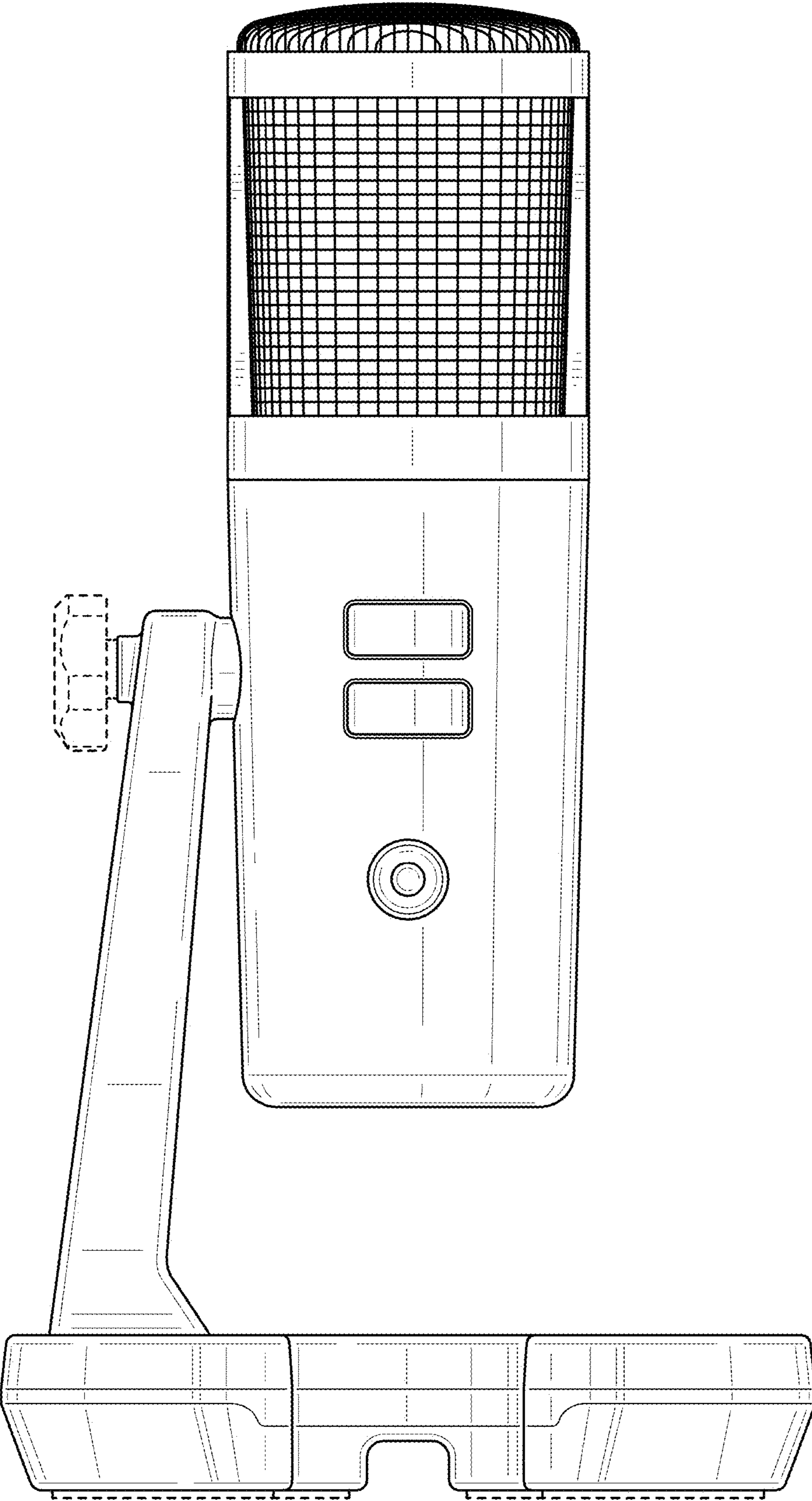


FIG. 2

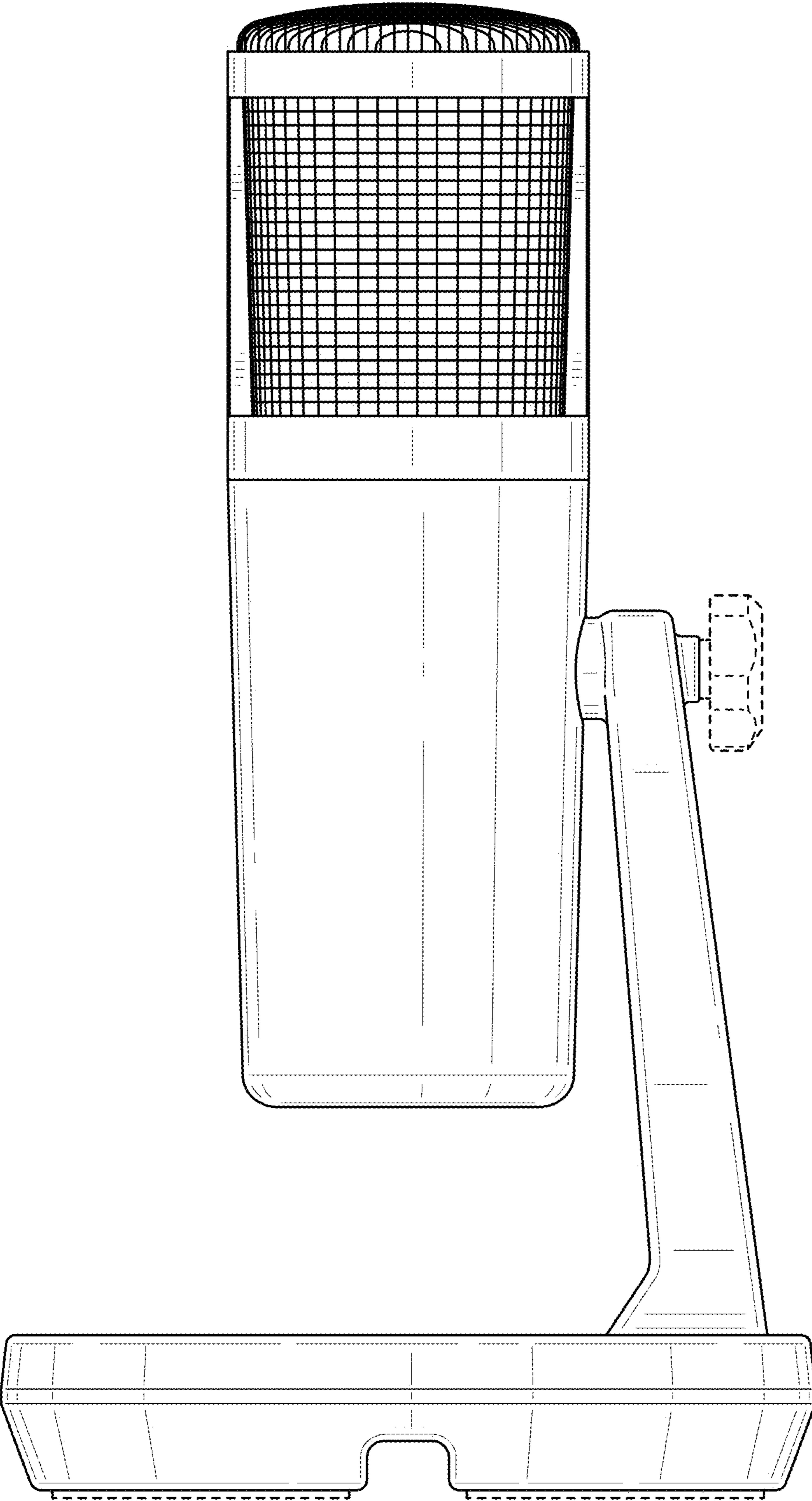


FIG. 3

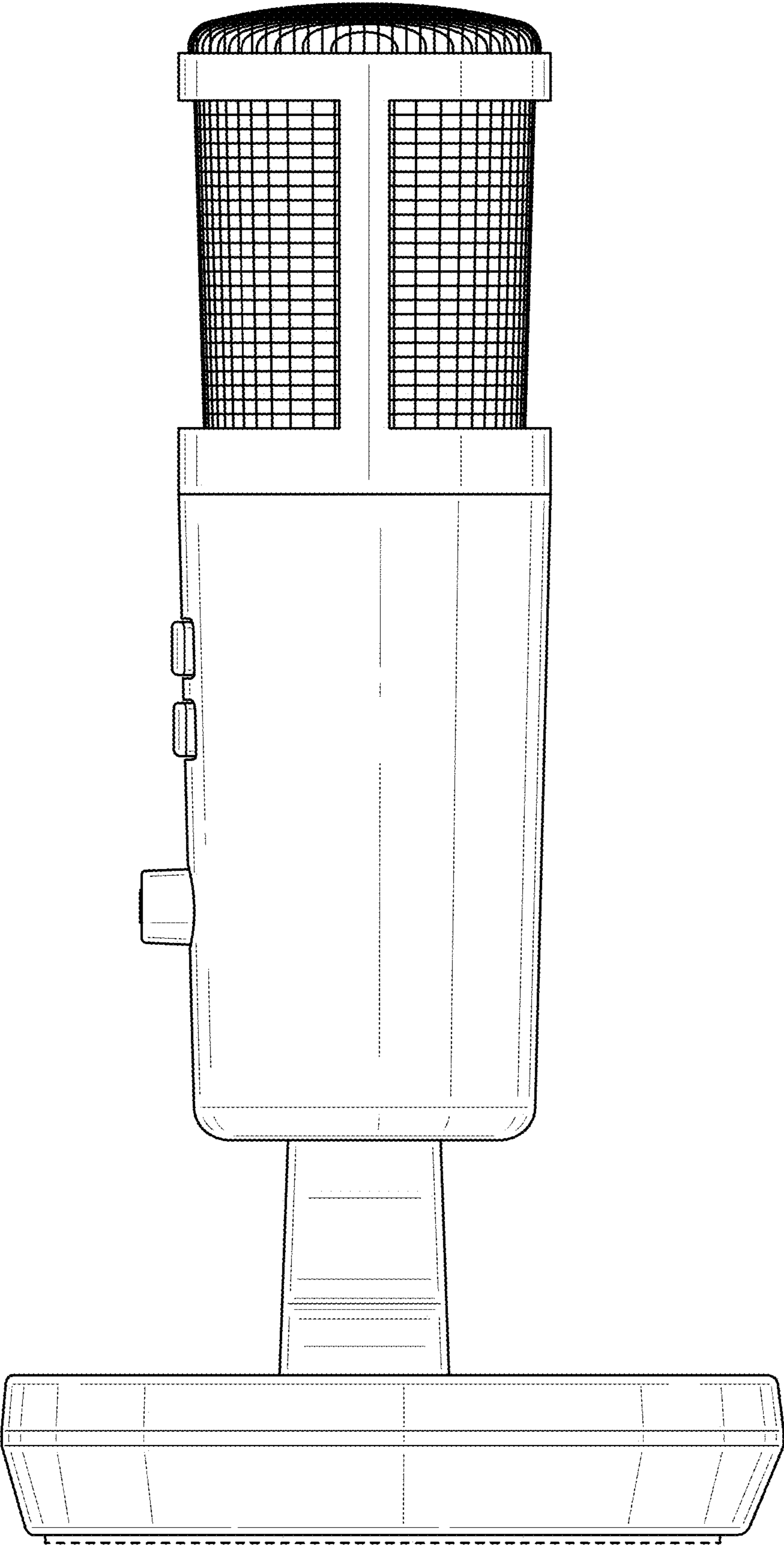


FIG. 4

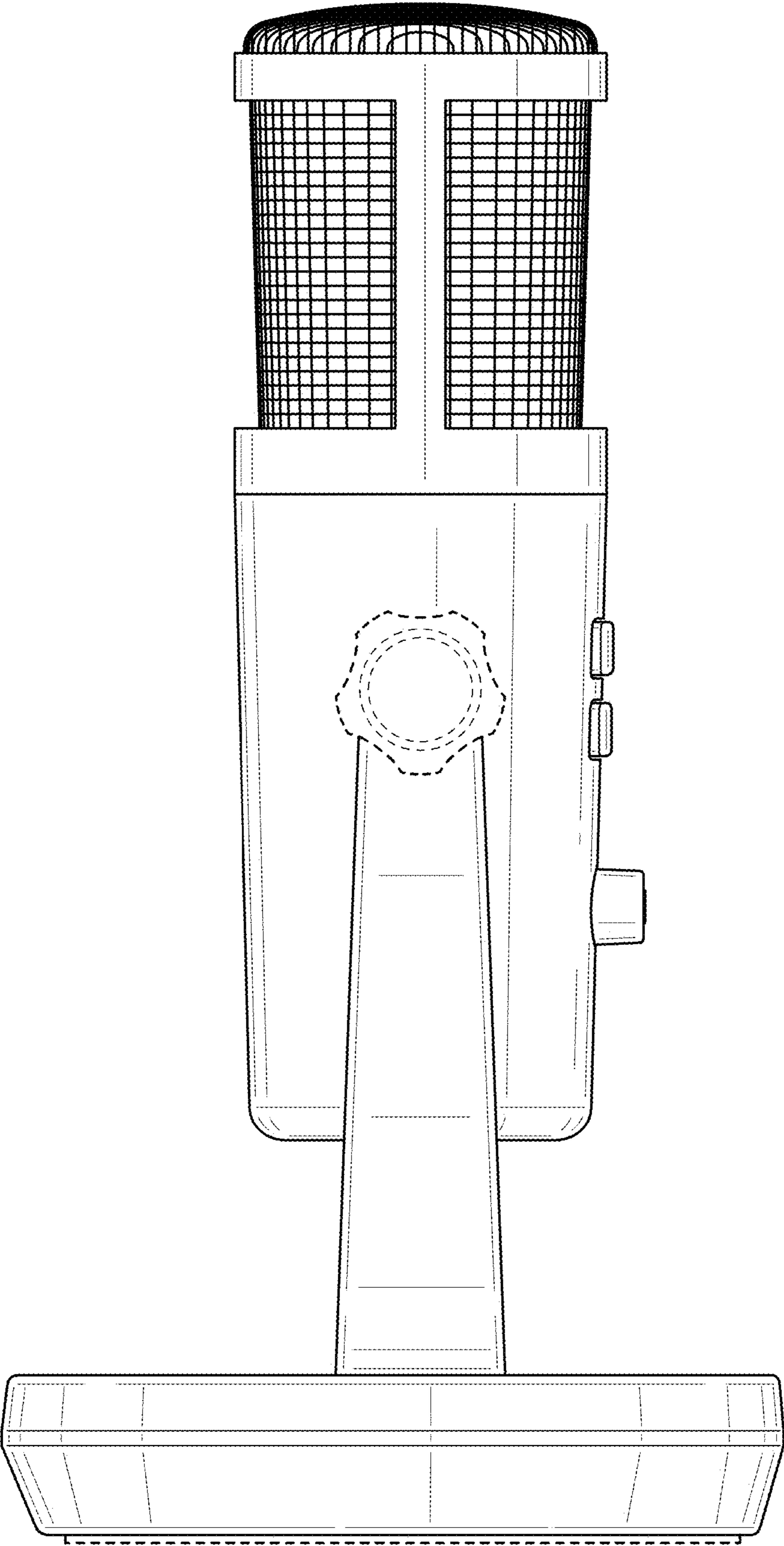


FIG. 5

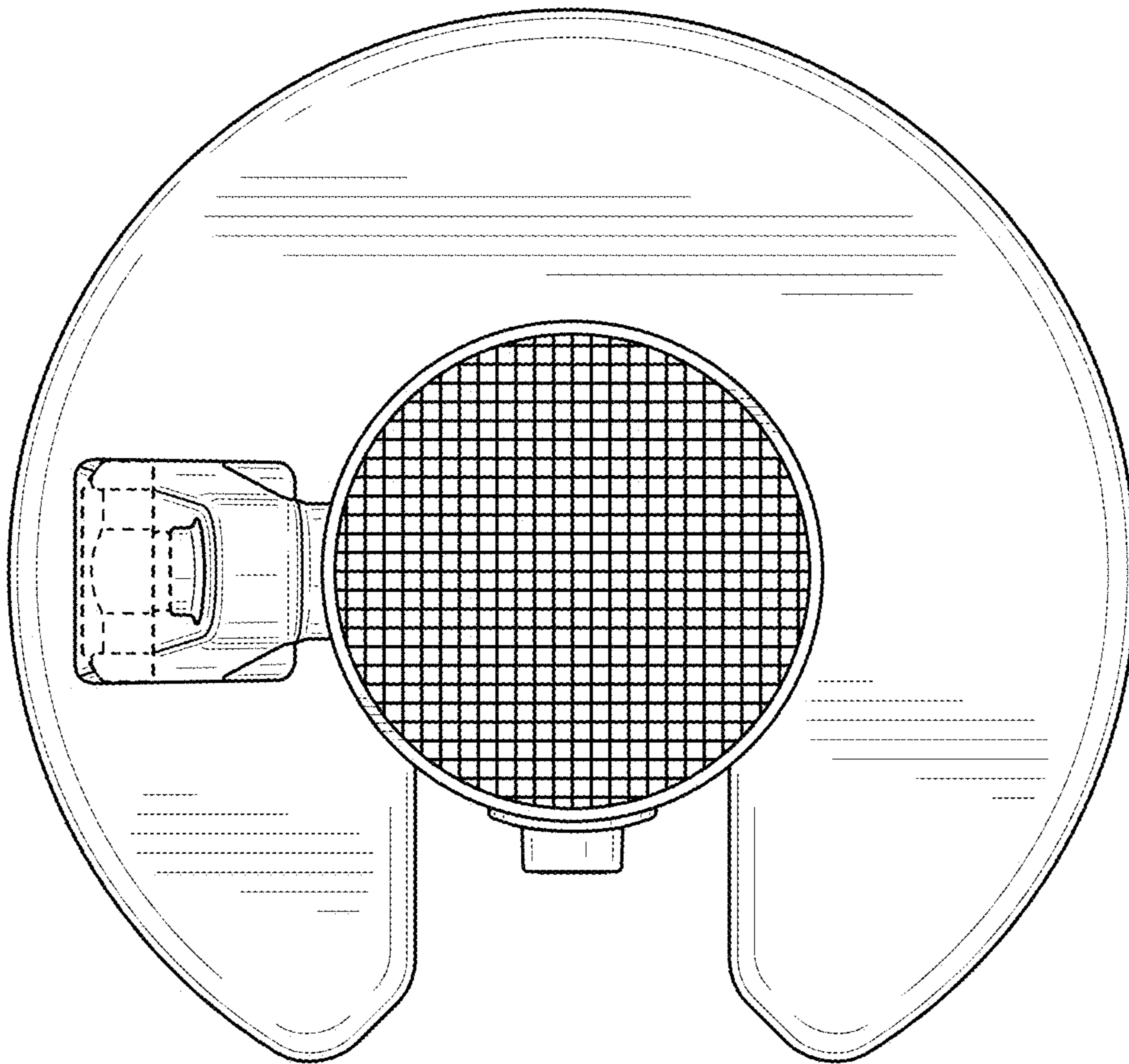


FIG. 6

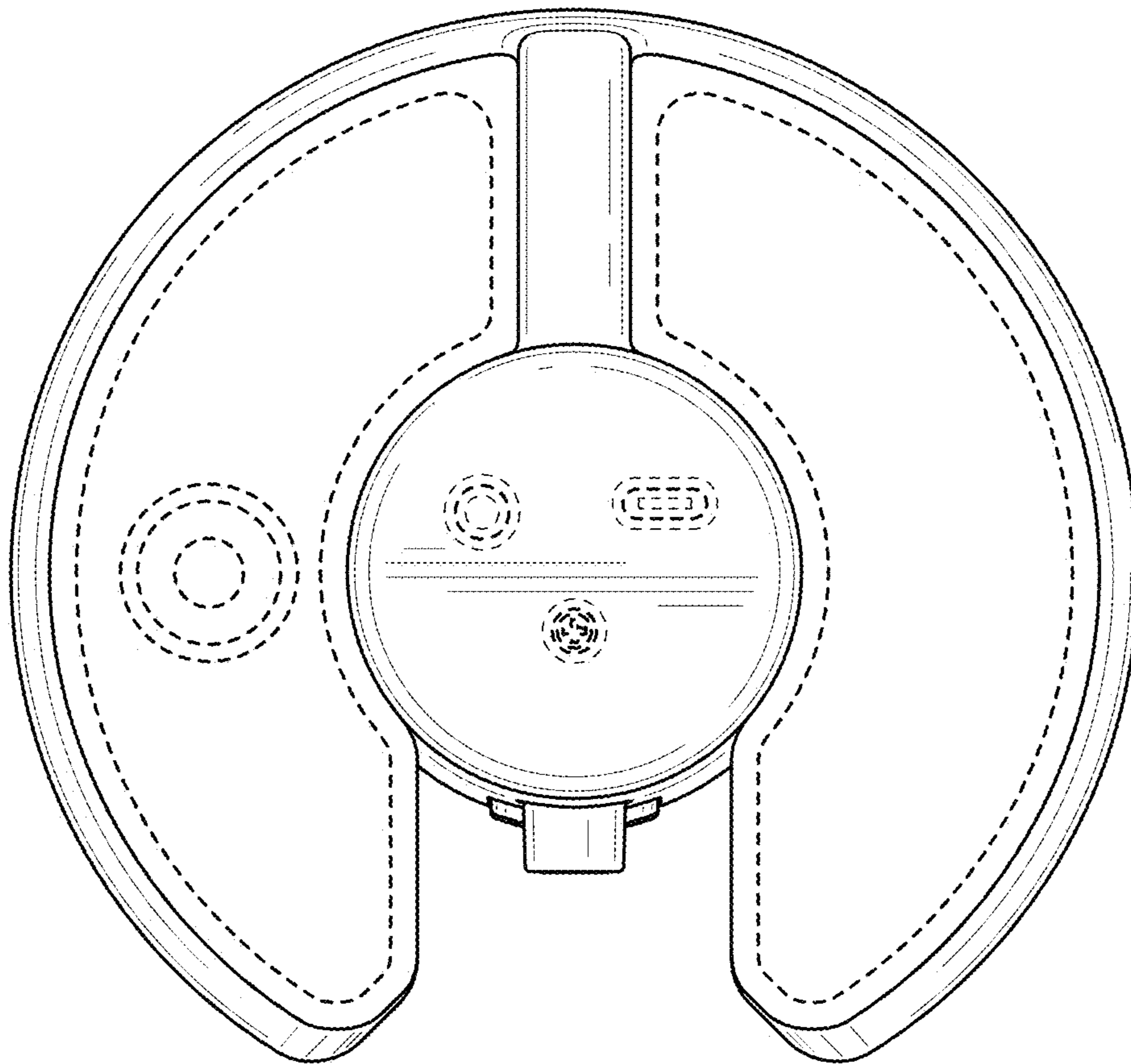


FIG. 7

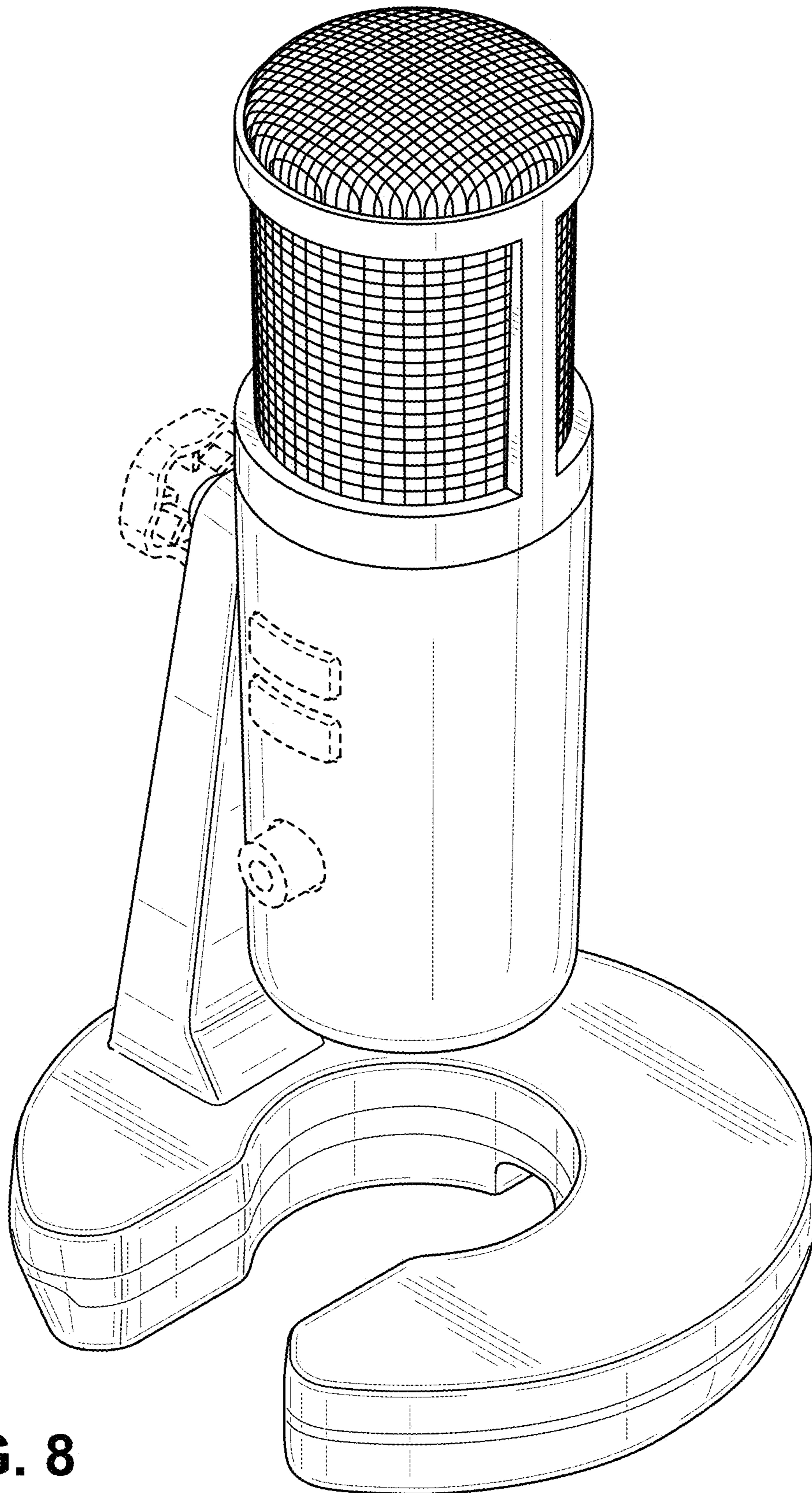


FIG. 8

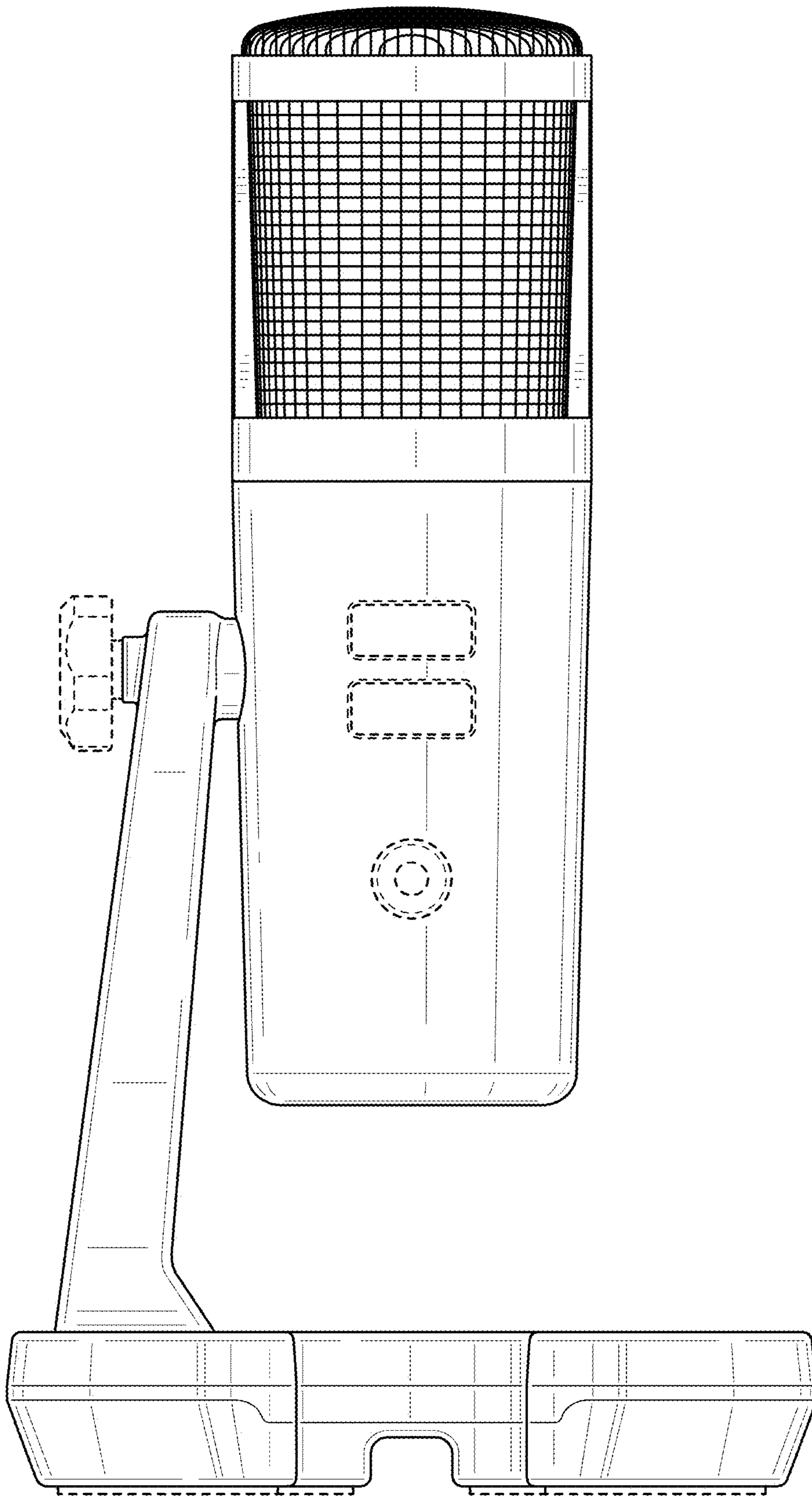


FIG. 9

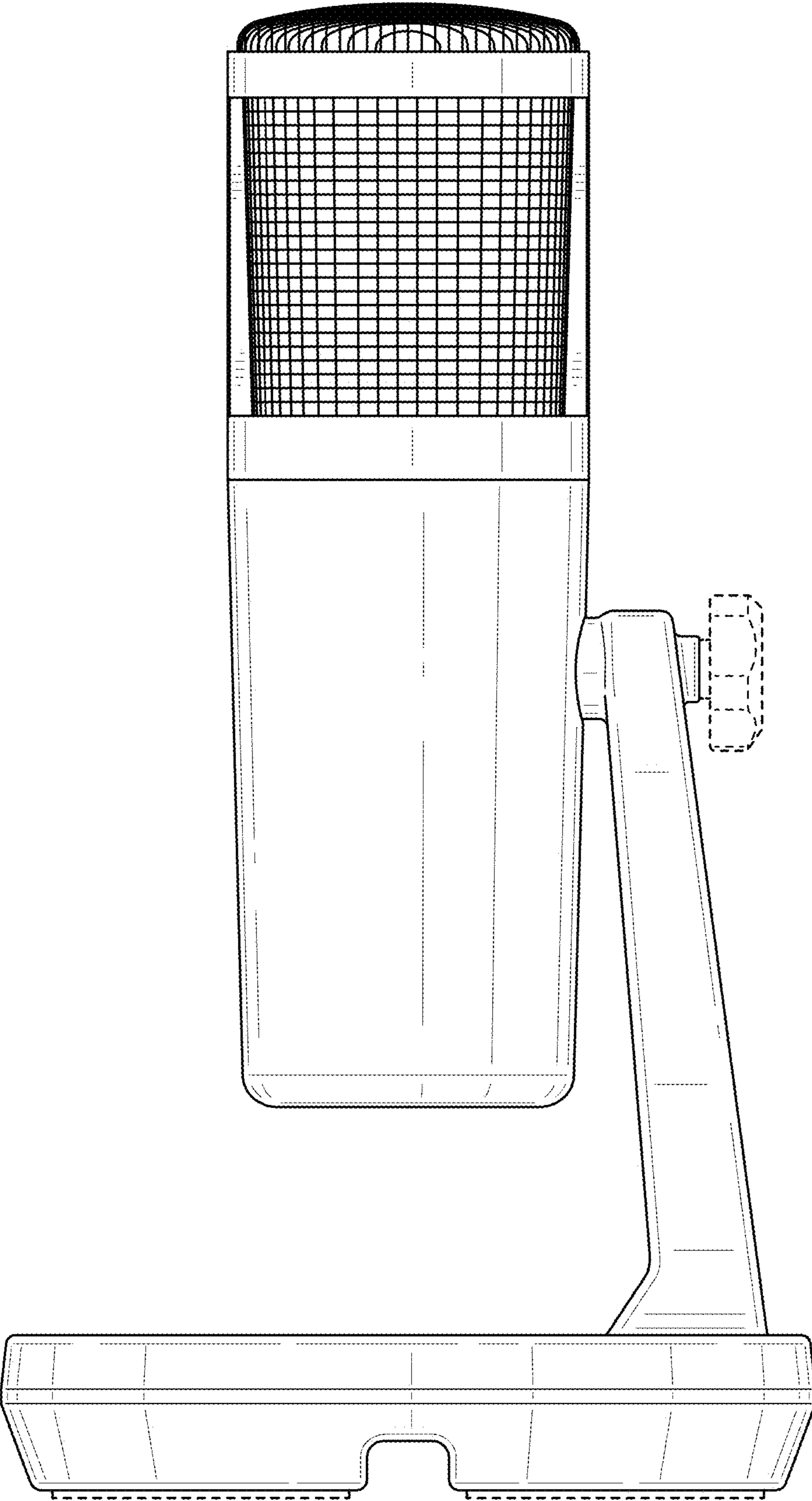


FIG. 10

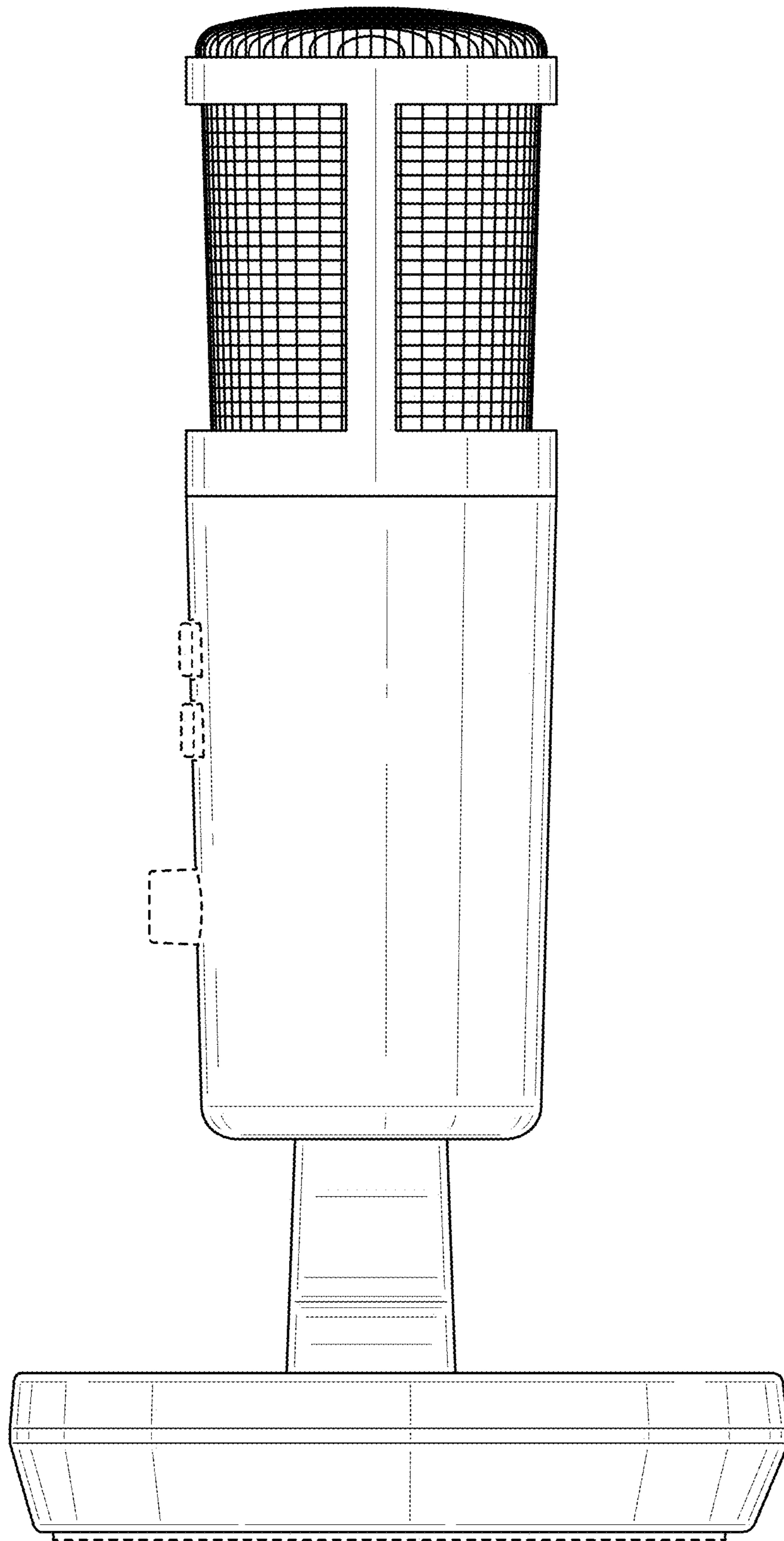


FIG. 11

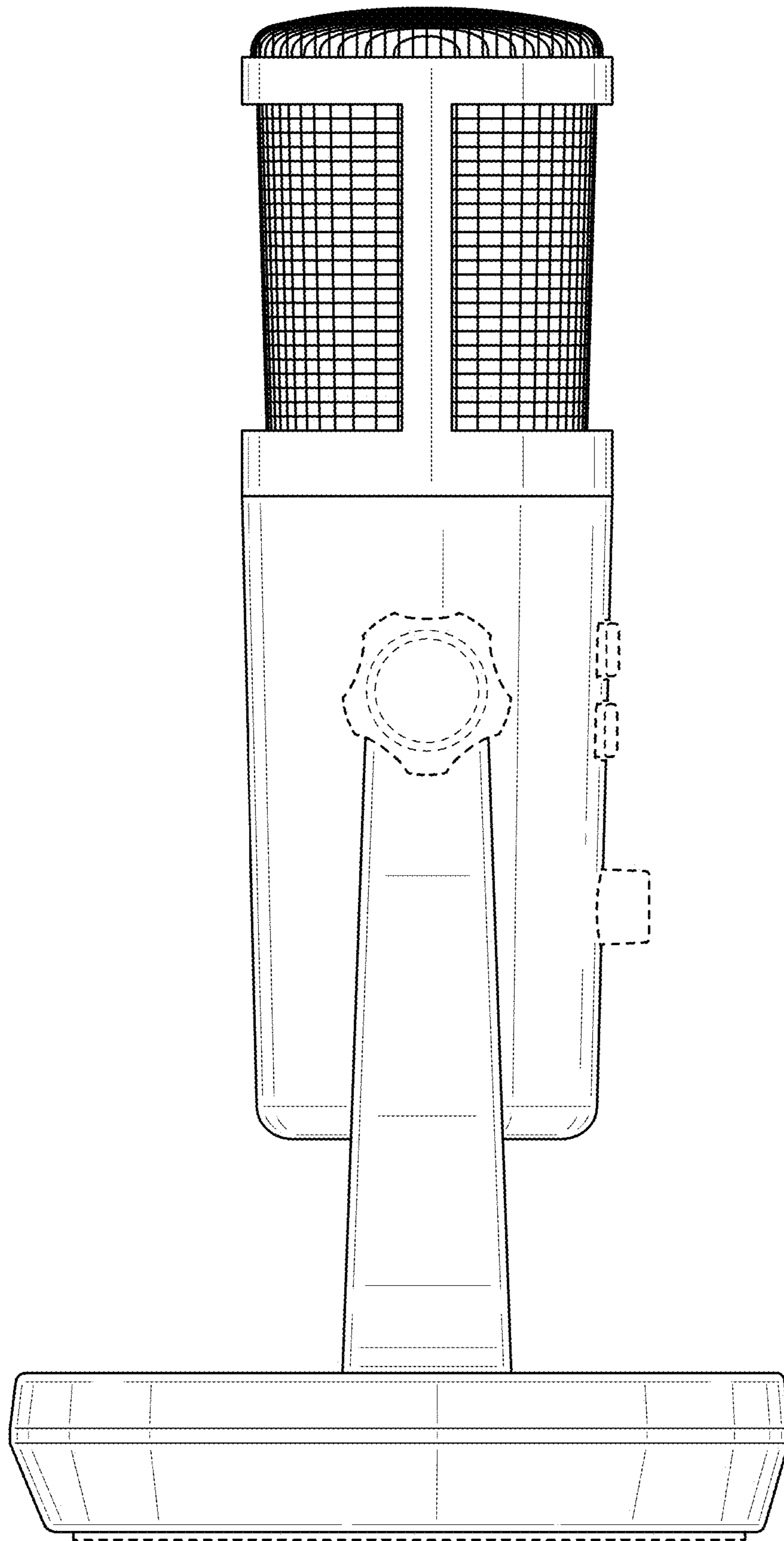


FIG. 12

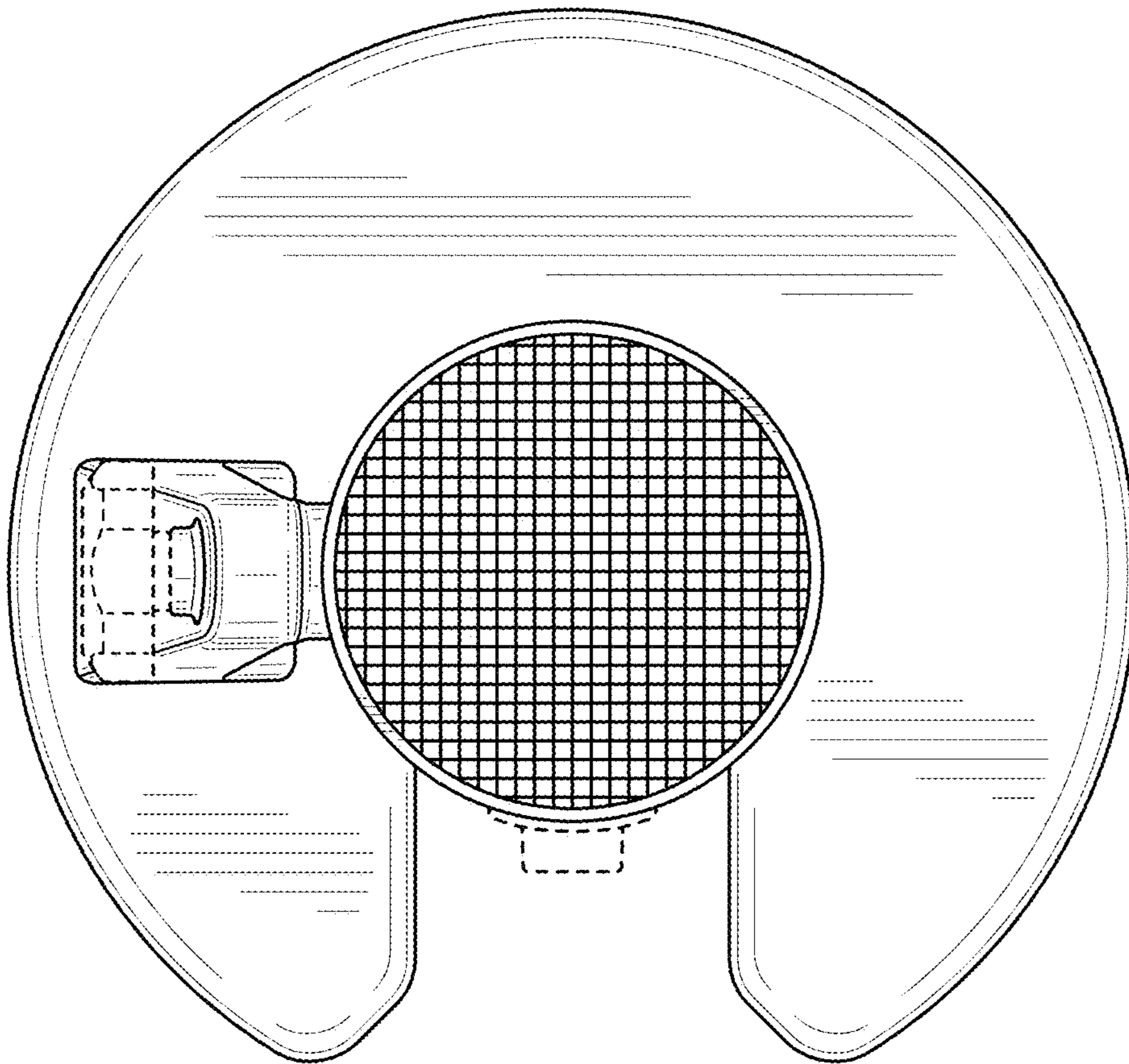


FIG. 13

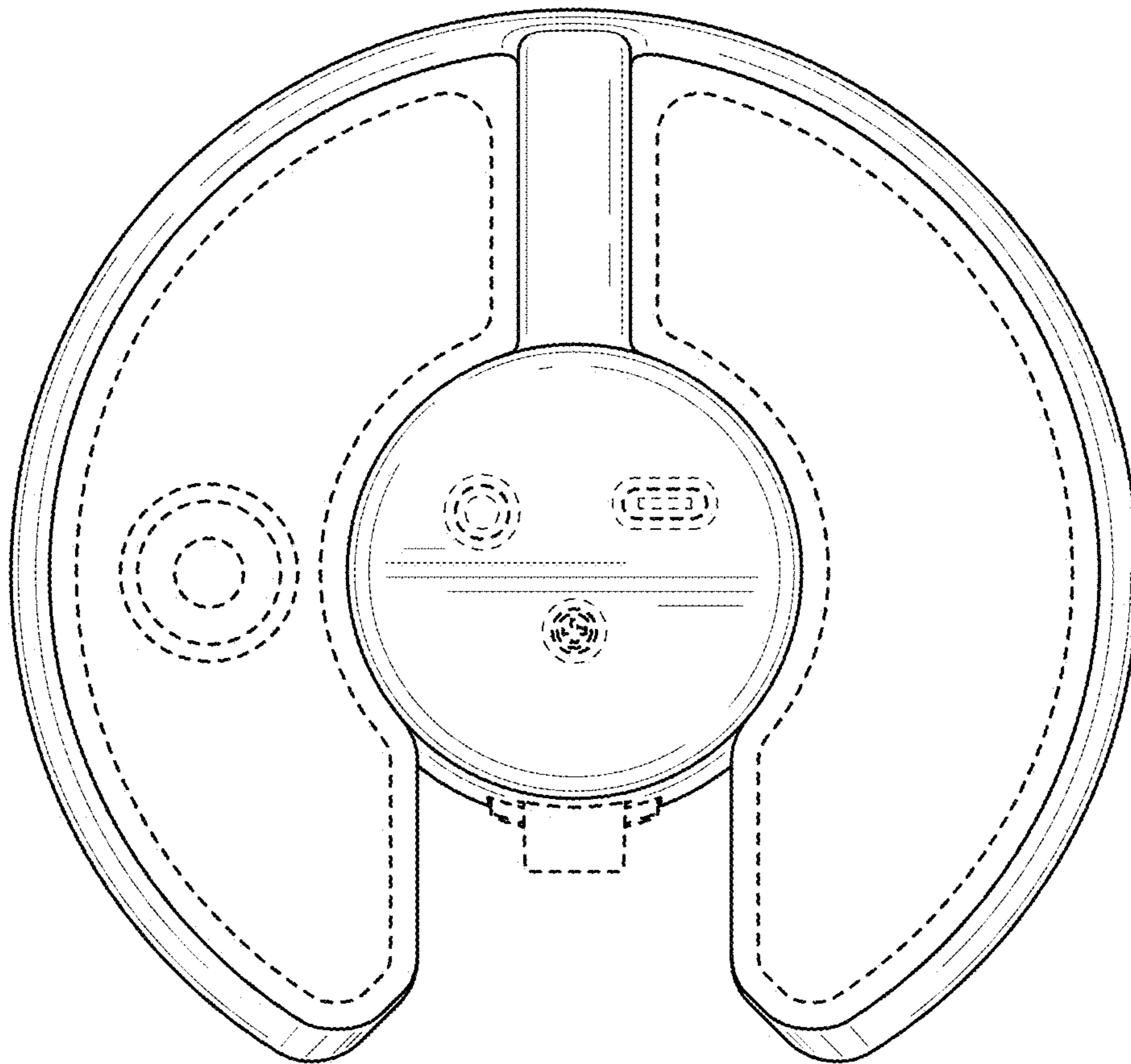


FIG. 14